



THE CITY OF SAN DIEGO



# ANNUAL REPORT

for Fiscal Year 2020

## BLACK MOUNTAIN RANCH NORTH MAINTENANCE ASSESSMENT DISTRICT

under the provisions of the

**San Diego Maintenance Assessment District Procedural Ordinance  
of the San Diego Municipal Code**

**Prepared For**  
**City of San Diego, California**



**Prepared By**  
**EFS Engineering, Inc.**  
P.O. Box 22370  
San Diego, CA 92192-2370  
(858) 752-3490

**June 2019**

# **CITY OF SAN DIEGO**

## **Mayor**

Kevin Faulconer

## **City Council Members**

Barbara Bry  
District 1 (Council President Pro Tem)

Jennifer Campbell  
District 2

Chris Ward  
District 3

Monica Montgomery  
District 4

Mark Kersey  
District 5

Chris Cate  
District 6

Scott Sherman  
District 7

Vivian Moreno  
District 8

Georgette Gómez  
District 9 (Council President)

## **City Attorney**

Mara W. Elliott

## **Chief Operating Officer**

Kris Michell

## **City Clerk**

Elizabeth Maland

## **Independent Budget Analyst**

Andrea Tevlin

## **City Engineer**

James Nagelvoort

# Table of Contents

---

Annual Report for Fiscal Year 2020  
Black Mountain Ranch North Maintenance Assessment District

Preamble.....	1
Executive Summary .....	2
Background .....	3
District Boundary .....	3
Project Description.....	3
Separation of General and Special Benefits.....	4
Cost Estimate.....	4
Annual Cost-Indexing .....	4
Method of Apportionment.....	5
Estimated Benefit of Improvements.....	5
Apportionment Methodology .....	5
Equivalent Benefit Units (EBUs).....	6
Land Use Factor .....	6
Unit Assessment Rates .....	7
Sample Calculations .....	9
Summary Results.....	10

## **EXHIBITS**

**Exhibit A:** District Boundary

**Exhibit B:** Estimated Budget – Revenue & Expense Statement  
for Fiscal Year 2020

**Exhibit C:** Preliminary Assessment Roll for Fiscal Year 2020

# Annual Report for Fiscal Year 2020

## Black Mountain Ranch North

### Maintenance Assessment District

---

#### Preamble

Pursuant to §65.0220 of the “San Diego Maintenance Assessment District Procedural Ordinance” (being Division 2, Article 5, Chapter 6 of the *San Diego Municipal Code*) and City of San Diego Council Resolution No. R-310618 passed on July 22, 2016, authorizing the continued levy of assessments for the life of the BLACK MOUNTAIN RANCH NORTH MAINTENANCE ASSESSMENT DISTRICT (hereinafter referred to as “District”), and in accordance with applicable provisions of “Proposition 218” (being Article XIII D of the California Constitution), and provisions of the “Proposition 218 Omnibus Implementation Act” (being California Senate Bill 919) (the aforementioned provisions are hereinafter referred to collectively as “applicable law”), and in accordance with Resolution No. \_\_\_\_\_, adopted by the CITY COUNCIL OF THE CITY OF SAN DIEGO, COUNTY OF SAN DIEGO, STATE OF CALIFORNIA, and in connection with the annual proceedings for the District, EFS Engineering, Inc., as Assessment Engineer to the City of San Diego, submits herewith this annual report for the District as required by §65.0220 of the “San Diego Maintenance Assessment District Procedural Ordinance.”

DATE OF FINAL PASSAGE BY THE CITY OF SAN DIEGO,  
COUNTY OF SAN DIEGO, STATE OF CALIFORNIA, ON THE  
\_\_\_\_\_ DAY OF \_\_\_\_\_, 2019.

---

Elizabeth Maland, CITY CLERK  
CITY OF SAN DIEGO  
STATE OF CALIFORNIA

## Executive Summary

**Project:** Black Mountain Ranch North  
Maintenance Assessment District

**Apportionment Method:** Equivalent Benefit Unit (EBU)

	<b>FY 2019</b>	<b>FY 2020 <sup>(1)</sup></b>	<b>Maximum <sup>(2)</sup> Authorized</b>
<b>Total Parcels Assessed:</b>	2,799	3,058	--
<b>Total Estimated Assessment:</b>	\$0	\$0	--
<b>Total Number of EBUs:</b>	4,998.37	5,203.97	--
<i>Zone A</i>	616.98	616.98	--
<i>Zone B</i>	12.00	12.00	--
<i>Zone C</i>	58.00	59.00	--
<i>Zone D</i>	618.83	618.83	--
<i>Zone E</i>	575.24	575.04	--
<i>Zone F</i>	1,779.69	2,121.49	--
<i>Zone G</i>	549.63	412.63	--
<i>Zone H</i>	788.00	788.00	--
<b>Assessment per EBU:</b>			
<i>Zone A</i>	\$0.00	\$0.00	\$20.33 <sup>(3)</sup>
<i>Zone B</i>	\$0.00	\$0.00	\$328.01 <sup>(3)</sup>
<i>Zone C</i>	\$0.00	\$0.00	\$53.55 <sup>(3)</sup>
<i>Zone D</i>	\$0.00	\$0.00	\$252.88 <sup>(3)</sup>
<i>Zone E</i>	\$0.00	\$0.00	\$193.15 <sup>(3)</sup>
<i>Zone F</i>	\$0.00	\$0.00	\$56.57 <sup>(3)</sup>
<i>Zone G</i>	\$0.00	\$0.00	\$67.66 <sup>(3)</sup>
<i>Zone H</i>	\$0.00	\$0.00	\$40.06 <sup>(3)</sup>

<sup>(1)</sup> FY 2020 is the City's Fiscal Year 2020, which begins July 1, 2019 and ends June 30, 2020. Total Parcels Assessed, Total Estimated Assessment, and assessment apportionment factors may vary from prior fiscal year values due to parcel changes and/or land use re-classifications.

<sup>(2)</sup> Maximum authorized assessment rate subject to cost-indexing as approved by property owners at the time of District formation.

<sup>(3)</sup> Prior fiscal year's maximum authorized annual assessment rate increased by cost-indexing factor of 6.71%.

**Annual Cost-Indexing:** The maximum authorized assessment rates are cost-indexed and will increase (or decrease) annually based on the annual change in the *San Diego Consumer Price Index for Urban Consumers* (SDCPI-U) plus 3%.

---

## Background

The Black Mountain Ranch North Maintenance Assessment District (District) was established by the City of San Diego (City) on June 27, 2006 by City Council Resolution R-301612. The purpose of the District was, and still is, to fund specifically identified improvements and activities within the boundary of the District.

In conformity with §65.0221 of the “San Diego Maintenance Assessment District Procedural Ordinance,” the City adopted Resolution No. R-310618 on July 22, 2016, approving the annual budget and assessments for Fiscal Year 2017, and authorizing the levy of the assessments for the life of the District, consistent with the benefit findings and assessment apportionment method contained in the approved formational and all subsequently updated Engineer’s Reports (Engineer’s Reports). The Engineer’s Reports are on file with the City Clerk, and incorporated herein by reference.

The District is authorized and administered under the provisions of the “San Diego Maintenance Assessment District Procedural Ordinance.” This annual report has been prepared pursuant to the requirements of §65.0220 of the “San Diego Maintenance Assessment District Procedural Ordinance.”

---

## District Boundary

The District boundary is generally depicted in **Exhibit A**. The District Boundary Map and Assessment Diagram are on file in the Maintenance Assessment Districts section of the Parks and Recreation Department of the City, and, by reference, are made a part of this annual report.

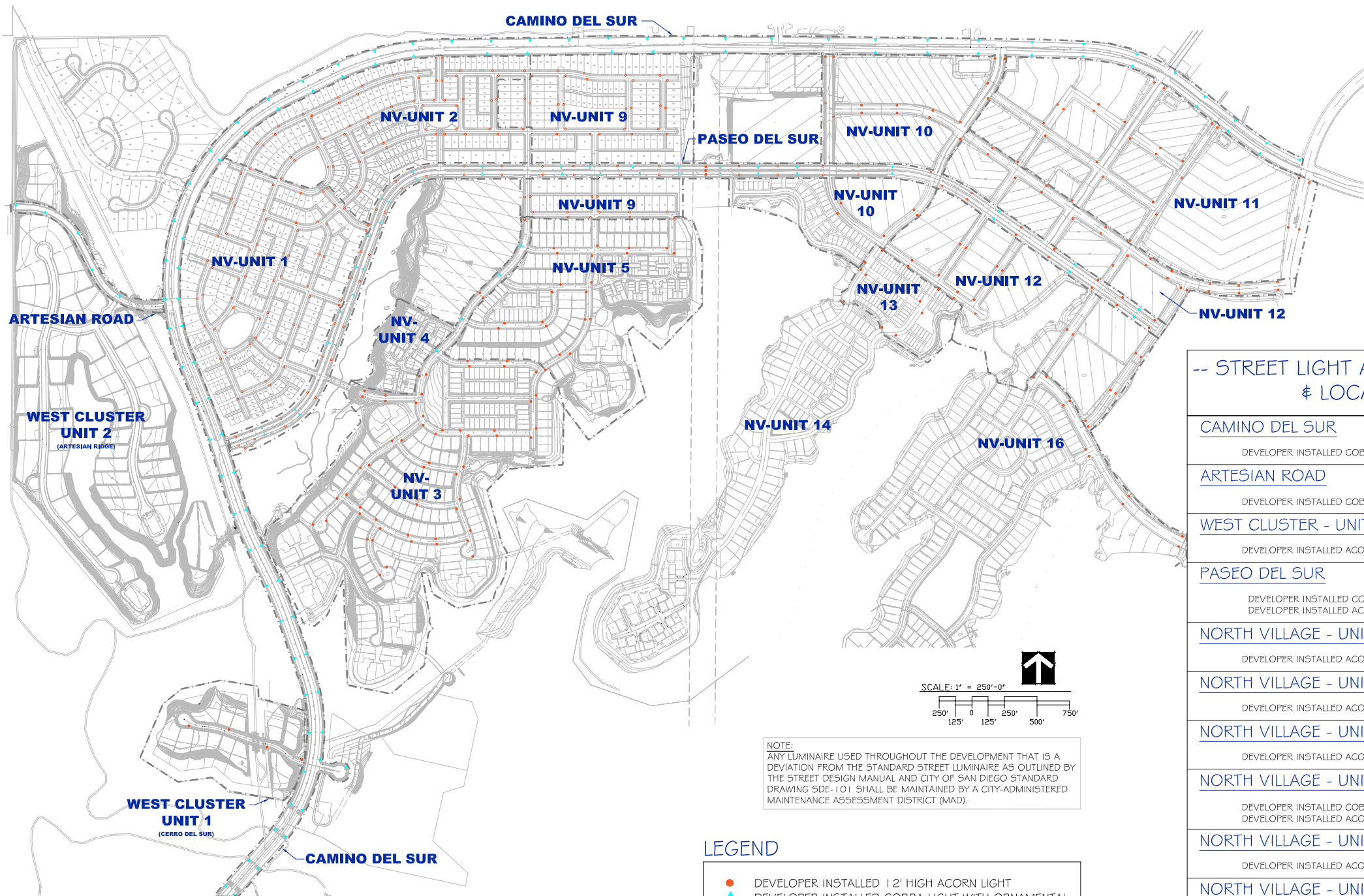
---

## Project Description

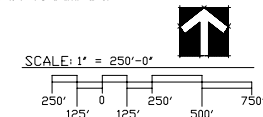
The authorized assessments will be used to fund specifically identified improvements and activities within the District. The District improvements and activities generally consist of maintenance and servicing of identified street lighting improvements (i.e., decorative acorn style and cobra style fixtures) in the District. The approximate location of the improvements is generally shown in **Figure 1**.

For additional detail as to the location, type of improvements, and activities performed by the District, please refer to the maps, improvement plans, engineering drawings, maintenance specifications, the Engineer’s Reports and other associated documents on file with the Maintenance Assessment Districts section of the Parks and Recreation





NOTE:  
ANY LUMINAIRE USED THROUGHOUT THE DEVELOPMENT THAT IS A DEVIATION FROM THE STANDARD STREET LUMINAIRE AS OUTLINED BY THE STREET DESIGN MANUAL AND CITY OF SAN DIEGO STANDARD DRAWING SDE-101 SHALL BE MAINTAINED BY A CITY-ADMINISTERED MAINTENANCE ASSESSMENT DISTRICT (MAD).



**LEGEND**

- DEVELOPER INSTALLED 12' HIGH ACORN LIGHT
- ▲ DEVELOPER INSTALLED COBRA LIGHT WITH ORNAMENTAL BASE

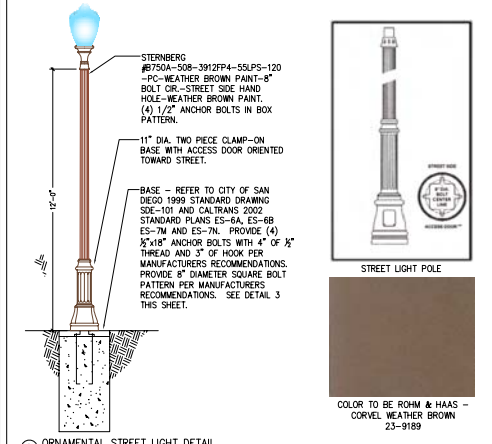
-- STREET LIGHT ANALYSIS BY STYLE & LOCATION --

<b>CAMINO DEL SUR</b>	(TM-40-0529)
DEVELOPER INSTALLED COBRA LIGHTS = 91	
<b>ARTESIAN ROAD</b>	
DEVELOPER INSTALLED COBRA LIGHTS = 5	
<b>WEST CLUSTER - UNIT 1 - (CERRO DEL SUR)</b>	TM-40-0529
DEVELOPER INSTALLED ACORN LIGHTS = 4	
<b>PASEO DEL SUR</b>	(TM-40-0528)
DEVELOPER INSTALLED COBRA LIGHTS = 40 DEVELOPER INSTALLED ACORN LIGHTS = 61	
<b>NORTH VILLAGE - UNIT 1</b>	(TM-40-0528)
DEVELOPER INSTALLED ACORN LIGHTS = 57	
<b>NORTH VILLAGE - UNIT 2</b>	(TM-40-0528)
DEVELOPER INSTALLED ACORN LIGHTS = 58	
<b>NORTH VILLAGE - UNIT 9</b>	(TM-40-0528)
DEVELOPER INSTALLED ACORN LIGHTS = 37	
<b>NORTH VILLAGE - UNIT 3</b>	(TM-40-0528)
DEVELOPER INSTALLED COBRA LIGHTS = 4 DEVELOPER INSTALLED ACORN LIGHTS = 62	
<b>NORTH VILLAGE - UNIT 5</b>	(TM-40-0528)
DEVELOPER INSTALLED ACORN LIGHTS = 21	
<b>NORTH VILLAGE - UNIT 10</b>	(TM-40-0528)
DEVELOPER INSTALLED ACORN LIGHTS = 19	
<b>NORTH VILLAGE - UNIT 11</b>	(TM-40-0528)
DEVELOPER INSTALLED ACORN LIGHTS = 27	
<b>NORTH VILLAGE - UNIT 12</b>	(TM-40-0528)
DEVELOPER INSTALLED ACORN LIGHTS = 41	
<b>NORTH VILLAGE - UNIT 13</b>	(TM-40-0528)
DEVELOPER INSTALLED ACORN LIGHTS = 12	
<b>NORTH VILLAGE - UNIT 16</b>	(TM-40-0528)
DEVELOPER INSTALLED ACORN LIGHTS = 10	

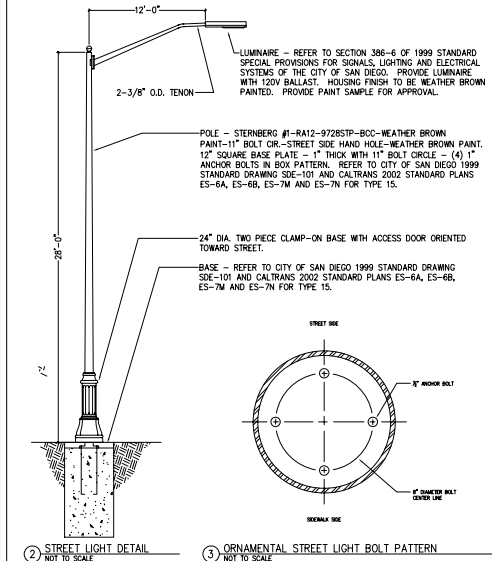
**LIGHTING DETAILS AND AESTHETICS**



DEL SUR - STREET LIGHTS & SIGNAGE



1 ORNAMENTAL STREET LIGHT DETAIL NOT TO SCALE



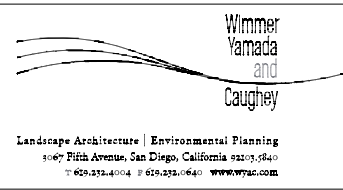
2 STREET LIGHT DETAIL NOT TO SCALE

3 ORNAMENTAL STREET LIGHT BOLT PATTERN NOT TO SCALE

DEL SUR - PUBLIC STREET LIGHT EXHIBIT



**CLIENT:** Black Mountain Ranch LLC  
**CONSULTANT:** Wimmer Yamada and Caughey  
**DATE:** February 24, 2006



Department of the City. These documents, collectively, are incorporated herein by reference and made part of this annual report.

---

## Separation of General and Special Benefits

The identified improvements and activities provide benefits to the parcels located within the District. These benefits are “special benefits” to the extent that they are above and beyond the City’s standard level of service, and exclusive of those “general benefits” provided to the public at large or properties located outside the District. By law, only “special benefits” are assessable.

The assessments presented in this annual report are based on the cost of improvements and activities determined to provide “special benefits” in accordance with the Engineer’s Reports. For additional detail relative to the separation and quantification of general and special benefits for the District, please refer to the Engineer’s Reports, on file with the Maintenance Assessment Districts section of the Parks and Recreation Department of the City.

---

## Cost Estimate

The estimated annual budget (Revenue & Expense Statement) for Fiscal Year 2020 (July 1, 2019 to June 30, 2020 period) is included as **Exhibit B**. The “Other Contributions (Non Assessment Source)” revenue contained in the budget includes the value of improvements and activities determined to provide “general benefits.” The District budget with full detail is available for public reference in the Maintenance Assessment Districts section of the Parks and Recreation Department of the City.

## Annual Cost-Indexing

The maximum authorized assessment set forth in the Engineer’s Reports is permitted to increase annually based on the published change in the “San Diego Consumer Price Index for Urban Consumers” (SDCPI-U) plus 3%. The annual change in second half SDCPI-U values, as compiled by the *U.S. Bureau of Labor Statistics* (see [www.bls.gov](http://www.bls.gov)), for the prior year period was from 284.464 to 295.018 (a 3.71% increase). In accordance with the approved cost-indexing provisions, the maximum authorized assessment rates have been increased by 6.71%.



---

## Method of Apportionment

### Estimated Benefit of Improvements

The Community Design Element of the *Black Mountain Ranch Subarea Plan* (Subarea Plan) and the general policy recommendations found in the City's *Progress Guide & General Plan* (General Plan) establish several goals and guidelines for the planned development of the community. The District improvements and activities are consistent with these goals. The City's General Plan and Subarea Plan support the establishment of community-based improvement and maintenance districts, such as this District, to fund enhanced improvements and activities.

**Camino Del Sur & Paseo Del Sur.** Collectively, Camino Del Sur and Paseo Del Sur make up the backbone street network for the community. These streets serve as the primary access routes for inter-community and intra-community trips, serving all parcels within the community. All parcels within the District benefit from the aesthetic enhancement of these streets and the enhanced community image provided by District improvements and activities. As such, all parcels within the District have been assessed for the improvements and activities on Camino Del Sur and Paseo Del Sur. The assessment costs associated with these improvements and activities (common to all parcels) are termed "overlay" costs.

**Other Collector & Neighborhood Streets.** The other collector and neighborhood streets serve as the primary access routes to and from the backbone street system, serving parcels within a specific area. Only those parcels served by such collector and neighborhood streets benefit from their enhancement. Consistent with this concept, the District has been divided into eight zones as shown in **Exhibit A**. The assessment costs associated with improvements and activities located along the other collector and neighborhood streets are termed "zone" costs.

### Apportionment Methodology

The total cost associated with District improvement and activities will be assessed proportionally to the parcels in the District based on Equivalent Benefit Units (EBUs). The total assessment for a given parcel is equal to the parcel's total EBUs multiplied by the Unit Assessment Rate (unique to the zone in which parcel is situated) as shown in the following equation:

$$\text{Total Assessment} = \text{Total EBUs} \times \text{Unit Assessment Rate}$$

## Equivalent Benefit Units (EBUs)

EBUs for each parcel have been determined as a function of parcel area or number of residential units and a Land Use Factor, as shown in the following equation:

$$\text{EBUs} = (\text{Acres or Units}) \times \text{Land Use Factor}$$

Parcels determined to receive no benefit from District improvements and activities have been assigned zero (0) EBUs.

### *Land Use Factor*

Since the proposed District improvements and activities are primarily associated with the Transportation Element of City's General Plan and Community Plan, trip generation rates for various land use categories (as previously established by the City's Transportation Planning Section) have been used as the primary basis for the development of Land Use Factors. While these trip generation rates address vehicular trips, they are also considered to approximately reflect relative trip generation for other modes of transportation (e.g., pedestrian trips, bicycle trips, etc.), and are considered the best available information for these other transportation modes.

Trip generation rates provide the required nexus and basis for assigning relative proportionality of potential benefit to the various land use/zoning classifications (as defined by the City's Municipal Code) within the District. Land use/zoning classifications have been grouped with averaged trip generation rates assigned to establish the Land Use Factors as shown in **Table 1**.

Designated open space serves primarily to preserve natural landscape and habitat. While access for study and passive recreation is often permitted, these activities are allowed only to the extent they are consistent with the primary purpose of natural preservation. Since this land is essentially "unused" in the customary terms of land use (which relate to human use and development), the trip generation rate is zero. Therefore, the designated open space itself receives no benefit from the District improvements and activities and has been assigned a Land Use Factor of zero.

**TABLE 1: Land Use Factors**

<b>Land Use/Zoning</b>	<b>Code</b>	<b>Land Use Factor <sup>(1)</sup></b>
Residential – Single Family (detached)	SFD	1.0 per dwelling unit
Residential – Condominium	CND	0.7 per dwelling unit
Residential – Multi-Family & Apartment	MFR	0.7 per dwelling unit
Commercial – Office & Retail	COM	45.0 per acre
Educational – Primary & Secondary	EPS	5.0 per acre
Fire/Police Station	FPS	15.0 per acre
Golf Course	GLF	0.80 per acre
Hotel	HTL	15.0 per acre
Industrial & Institutional	IND	15.0 per acre
Open Space (designated)	OSP	0 per acre
Park – Developed	PKD	5.0 per acre
Park – Undeveloped	PKU	0.5 per acre
Recreational Facility	REC	3.0 per acre
Street/Roadway	STR	0 per acre
Transit Station	TRN	30.0 per acre
Street/Roadway	STR	0 per acre
Undevelopable	UND	0 per acre
Utility Facility	UTL	3.0 per acre

<sup>(1)</sup> Proportional to trip generation rates contained in the City of San Diego *Trip Generation Manual* (May 2003).

While those traveling the streets and roadways visually enjoy the enhanced District improvements and activities, the actual benefit accrues to the lands at the origins and destinations of their trips, not to the lands of the streets and roadways, themselves. Accordingly, the Streets/Roadways category receives no benefit and has been assigned a Land Use Factor of zero.

The Recreational Facility category includes those parcels that consist primarily of concentrated facilities, such as swimming pools, gymnasiums, racquetball clubs, etc. Recreational facilities of a more dispersed nature (e.g., parks, golf courses, etc.) have been categorized separately.

### Unit Assessment Rates

As previously mentioned, all parcels have been assessed for the District improvements and activities located along Camino Del Sur and Paseo Del Sur. The assessment costs associated with these improvements and activities (common to all parcels) are termed “overlay” costs. Parcels within each zone have been assessed for the improvements and activities on the collector and neighborhood streets serving their respective zone. The assessment costs associated with these improvements and activities are termed “zone” costs.

The total “overlay” costs have been apportioned to each parcel in proportion to the parcel’s estimated EBUs relative to the total of all District EBUs. The total “zone” costs have been apportioned to each parcel in proportion to the parcel’s estimated EBUs relative to the total of all EBUs within the zone.

The Unit Assessment Rate (rate per EBU) is equal to the sum of the “overlay” unit rate and the “zone” unit rate as shown in the following equation:

$\text{Unit Assessment Rate} = \text{Overlay Unit Rate} + \text{Zone Unit Rate}$
--

The Unit Assessment Rate (also referred to as the “Assessment per EBU”) for each zone is presented in the Executive Summary section of this annual report.

## Sample Calculations

As described above, the number of Equivalent Benefit Units (EBUs) assigned to each parcel in the District has been calculated based on each parcel's land use and the identified apportionment factors, as shown in the following equation:

$$\text{EBUs} = (\text{Acres or Units}) \times \text{Land Use Factor}$$

Shown below are sample EBU calculations for several common land uses found in the District.

- **1 Single-Family Residence**  
EBUs = 1 unit x 1.00 = 1.00 EBUs
- **1 Condominium**  
EBUs = 1 unit x 0.70 = 0.70 EBUs
- **10-unit Apartment Complex**  
EBUs = 10 units x 0.70 = 7.00 EBUs
- **½-acre Commercial Property**  
EBUs = 0.50 acres x 45.00 = 22.50 EBUs

The total assessment for each parcel in the District is based on the calculated EBUs for the parcel and the applicable unit assessment rate for the zone in which the parcel is located, as shown in the following equation:

$$\text{Total Assessment} = \text{Total EBUs} \times \text{Unit Assessment Rate}$$

Based on the above formula, the EBUs, unit assessment rate, and total assessment calculated for each property, can be found in the Assessment Roll (**Exhibit C**).

---

## Summary Results

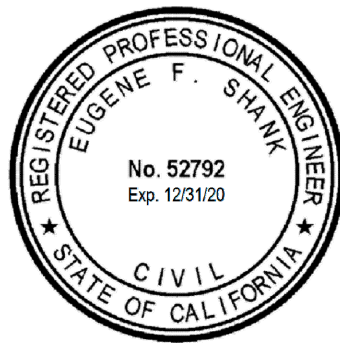
The District Boundary is presented in **Exhibit A**.

An estimate of the annual costs of the improvements and activities provided by the District is included as **Exhibit B**.

The assessment methodology utilized is as described in the text of this annual report. Based on this methodology, Fiscal Year 2020 District assessment for each parcel were calculated and are shown in the Preliminary Assessment Roll (**Exhibit C**).

Each lot or parcel of land within the District has been identified by unique County Assessor's Parcel Number in the Preliminary Assessment Roll and on the Boundary Map and Assessment Diagram referenced herein.

This annual report has been prepared and respectfully submitted by:



EFS ENGINEERING, INC.

Eugene F. Shank, PE

C 52792

Sharon F. Risse



# EXHIBIT A

## **District Boundary**



## BOUNDARY MAP & ASSESSMENT DIAGRAM

FILED IN THE OFFICE OF THE CITY CLERK OF THE CITY OF SAN DIEGO, STATE OF CALIFORNIA, THIS \_\_\_\_ DAY OF \_\_\_\_\_, 2006.

ELIZABETH MALAND, CITY CLERK  
CITY OF SAN DIEGO  
STATE OF CALIFORNIA

PREPARED BY:  
**BOYLE ENGINEERING CORPORATION**  
7807 Conroy Court, Suite 200, San Diego, California 92111 (659) 268-8080

I HEREBY CERTIFY THAT THE WITHIN MAP SHOWING PROPOSED BOUNDARIES OF THE BLACK MOUNTAIN RANCH NORTH MAINTENANCE ASSESSMENT DISTRICT, CITY OF SAN DIEGO, STATE OF CALIFORNIA, WAS APPROVED BY THE CITY COUNCIL AT A REGULAR MEETING THEREOF, HELD ON THE \_\_\_\_ DAY OF \_\_\_\_\_, 2006, BY ITS RESOLUTION NO. \_\_\_\_\_.

ELIZABETH MALAND, CITY CLERK  
CITY OF SAN DIEGO  
STATE OF CALIFORNIA

AN ASSESSMENT WAS LEVIED BY THE CITY COUNCIL OF THE CITY OF SAN DIEGO ON THE LOTS, PIECES, AND PARCELS OF LAND SHOWN ON THIS ASSESSMENT DIAGRAM. SAID ASSESSMENT WAS LEVIED ON THE \_\_\_\_ DAY OF \_\_\_\_\_, 2006; SAID ASSESSMENT DIAGRAM AND THE ASSESSMENT ROLL WERE RECORDED IN THE OFFICE OF THE SUPERINTENDENT OF STREETS OF THE CITY OF SAN DIEGO, STATE OF CALIFORNIA ON THE \_\_\_\_ DAY OF \_\_\_\_\_, 2006. REFERENCE IS MADE TO THE ASSESSMENT ROLL RECORDED IN THE OFFICE OF THE SUPERINTENDENT OF STREETS FOR THE EXACT AMOUNT OF EACH ASSESSMENT LEVIED AGAINST EACH PARCEL OF LAND SHOWN ON THIS ASSESSMENT DIAGRAM.

**LEGEND:**

- District Boundary
- - - Zone Boundary
- ▬ Parcel Line

NOTE:  
FOR A DETAILED DESCRIPTION OF THE LINES AND DIMENSIONS OF LOTS OR PARCELS SHOWN ON THIS MAP, REFER TO THE COUNTY ASSESSOR'S MAPS WHICH SHALL GOVERN WITH RESPECT TO ALL DETAILS CONCERNING THE LINES AND DIMENSIONS OF SUCH LOTS OR PARCELS.

REFER TO THE ENGINEER'S REPORT AND REFERENCED DOCUMENTS, INCORPORATED HEREIN BY REFERENCE, FOR LOCATION AND TYPE OF IMPROVEMENTS.



CITY OF  
SAN DIEGO

# BLACK MOUNTAIN RANCH NORTH MAINTENANCE ASSESSMENT DISTRICT

# EXHIBIT B

**Estimated Budget – Revenue & Expense Statement  
for Fiscal Year 2020**

# EXHIBIT B

## REVENUE AND EXPENSE STATEMENT

### Black Mountain Ranch North Maintenance Assessment District Fund 200089

	FY 2018 ACTUALS	FY 2019 ESTIMATE	FY 2020 PROPOSED
<b>BEGINNING FUND BALANCE</b>			
Surplus (or Deficit) from Prior Year	\$ 634,300.36	\$ 603,990.03	\$ 469,480.03
<b>TOTAL BEGINNING FUND BALANCE</b>	<b>\$ 634,300.36</b>	<b>\$ 603,990.03</b>	<b>\$ 469,480.03</b>
<b>REVENUE</b>			
Assessment Revenue	\$ -	\$ -	\$ -
Interest	\$ 7,814.27	\$ 4,987.00	\$ 4,987.00
Other Contributions (Non Assessment Source)	\$ 288.00	\$ 338.00	\$ 590.00
<b>TOTAL REVENUE</b>	<b>\$ 8,102.27</b>	<b>\$ 5,325.00</b>	<b>\$ 5,577.00</b>
<b>TOTAL BEGINNING FUND BALANCE &amp; REVENUE</b>	<b>\$ 642,402.63</b>	<b>\$ 609,315.03</b>	<b>\$ 475,057.03</b>
<b>OPERATING EXPENSE</b>			
Misc. Services <sup>(1)</sup>	\$ 1,982.60	\$ 95,543.00	\$ 104,043.00
Special Districts Administrative Cost	\$ 36,430.00	\$ 44,292.00	\$ 45,277.00
<b>TOTAL OPERATING EXPENSE</b>	<b>\$ 38,412.60</b>	<b>\$ 139,835.00</b>	<b>\$ 149,320.00</b>
<b>TOTAL EXPENSE</b>	<b>\$ 38,412.60</b>	<b>\$ 139,835.00</b>	<b>\$ 149,320.00</b>
<b>TOTAL ENDING FUND BALANCE</b>	<b>\$ 603,990.03</b>	<b>\$ 469,480.03</b>	<b>\$ 325,737.03</b>
<b>NET ANNUAL REVENUE (OR EXPENSE)</b>	<b>\$ (30,310.33)</b>	<b>\$ (134,510.00)</b>	<b>\$ (143,743.00)</b>

<sup>(1)</sup> Includes street light maintenance & electrician costs.

*The District budget with full detail is available for public reference in the Maintenance Assessment Districts section of the Parks and Recreation Department of the City of San Diego.*

# EXHIBIT C

**Preliminary Assessment Roll  
for Fiscal Year 2020**

**EXHIBIT C - Assessment Roll (Fiscal Year 2020)**  
**Black Mountain Ranch North Maintenance Assessment District**

Parcel Number	Acres/ Units <sup>(1)</sup>	Land Use Code <sup>(2)</sup>	Zone	Land Use Factor <sup>(2)</sup>	Total EBU's	Unit Cost (\$/EBU)	FY 2020 <sup>(3)</sup> Assessment	Owner Name
267 150 07 00	2.52	STR	A	0.00	0.00	\$0.00	\$0.00	Black Mountain Ranch L L C
267 150 13 00	7.17	OSP	A	0.00	0.00	\$0.00	\$0.00	Black Mountain Ranch L L C
267 150 30 00	65.46	OSP	A	0.00	0.00	\$0.00	\$0.00	Black Mountain Ranch L L C
267 150 32 00	0.05	OSP	C	0.00	0.00	\$0.00	\$0.00	Black Mountain Ranch L L C
267 150 36 00	0.68	UTL	A	3.00	2.04	\$0.00	\$0.00	City Of San Diego
267 150 41 00	285.47	GLF	A	0.80	228.38	\$0.00	\$0.00	Black MOUNTIAN Ranch Llc
267 231 01 00	1.00	SFD	D	1.00	1.00	\$0.00	\$0.00	Dohring Arjay&Leeann
267 231 02 00	1.00	SFD	D	1.00	1.00	\$0.00	\$0.00	Wallace Paul A&Shelley L
267 231 03 00	1.00	SFD	D	1.00	1.00	\$0.00	\$0.00	Kotta Family Trust 12-14-16
267 231 04 00	1.00	SFD	D	1.00	1.00	\$0.00	\$0.00	Shanmugam Sengouttouvane&Veerasamy Kavitha
267 231 05 00	1.00	SFD	D	1.00	1.00	\$0.00	\$0.00	Spelta John J&Claire Y
267 231 06 00	1.00	SFD	D	1.00	1.00	\$0.00	\$0.00	Lee Bryan
267 231 07 00	1.00	SFD	D	1.00	1.00	\$0.00	\$0.00	Nelson Robert L Jr&Rhea R
267 231 08 00	1.00	SFD	D	1.00	1.00	\$0.00	\$0.00	Smurlo Daniel&Albana Family 2014 Trust
267 231 09 00	1.00	SFD	D	1.00	1.00	\$0.00	\$0.00	Escobedo Family Trust 06-18-15
267 231 10 01	1.00	SFD	D	1.00	1.00	\$0.00	\$0.00	Latourette Sherrie T Revocable 2009 Trust 09-11-09 Et Al
267 231 10 02	1.00	SFD	D	1.00	1.00	\$0.00	\$0.00	Itakura Nobuyasu&Pham Mai Thi
267 231 11 01	1.00	SFD	D	1.00	1.00	\$0.00	\$0.00	Ding Victor&Chen Zoe Living Trust 05-02-15
267 231 11 02	1.00	SFD	D	1.00	1.00	\$0.00	\$0.00	Cooper Jack A
267 231 12 01	1.00	SFD	D	1.00	1.00	\$0.00	\$0.00	Sea Island Investment Trust 03-20-14
267 231 12 02	1.00	SFD	D	1.00	1.00	\$0.00	\$0.00	Challagulla Ravikanth&Samala Abhigna
267 231 13 01	1.00	SFD	D	1.00	1.00	\$0.00	\$0.00	Montanari Michael S&Olivia S
267 231 13 02	1.00	SFD	D	1.00	1.00	\$0.00	\$0.00	Becker Gregory F&Pamela J
267 231 14 01	1.00	SFD	D	1.00	1.00	\$0.00	\$0.00	Reist Troy&Veronica 2017 Revocable Living Trust 02-03-1
267 231 14 02	1.00	SFD	D	1.00	1.00	\$0.00	\$0.00	Cassel Jordan&Erica L
267 231 15 01	1.00	SFD	D	1.00	1.00	\$0.00	\$0.00	Xearn Living Trust 02-24-16
267 231 15 02	1.00	SFD	D	1.00	1.00	\$0.00	\$0.00	Bhattacharyya Tushnim&Nayak Kiran
267 231 16 01	1.00	SFD	D	1.00	1.00	\$0.00	\$0.00	Langford Todd&Stephanie
267 231 16 02	1.00	SFD	D	1.00	1.00	\$0.00	\$0.00	Darugar Mustafa&Chandio Aliya
267 231 17 00	0.28	STR	D	0.00	0.00	\$0.00	\$0.00	Calatlantic Group Inc
267 231 18 00	1.00	SFD	D	1.00	1.00	\$0.00	\$0.00	Power Michael E&Megan
267 231 19 00	1.00	SFD	D	1.00	1.00	\$0.00	\$0.00	Ganz Andrew N
267 231 20 00	1.00	SFD	D	1.00	1.00	\$0.00	\$0.00	Srinivasan/Bhandarkar Living Trust 09-03-16
267 231 21 00	1.00	SFD	D	1.00	1.00	\$0.00	\$0.00	Young Family Trust 03-31-09
267 231 22 00	1.00	SFD	D	1.00	1.00	\$0.00	\$0.00	Warren Robert O&Bethany D
267 231 23 00	1.00	SFD	D	1.00	1.00	\$0.00	\$0.00	Kumar Atin&Bhatnagar Meghna
267 231 24 00	1.00	SFD	D	1.00	1.00	\$0.00	\$0.00	Patrawala Family Trust 04-23-07
267 231 25 00	1.00	SFD	D	1.00	1.00	\$0.00	\$0.00	Palmer-Jeffery Richard&Marie
267 231 26 00	1.00	SFD	D	1.00	1.00	\$0.00	\$0.00	Coronel Edwin&Karoline
267 231 27 00	1.00	SFD	D	1.00	1.00	\$0.00	\$0.00	Mikolajewski Peter J Tr&Mikolajewski Sandra M Tr
267 231 28 00	1.00	SFD	D	1.00	1.00	\$0.00	\$0.00	Kumar Family Revocable Living Trust 03-16-17
267 231 29 00	1.00	SFD	D	1.00	1.00	\$0.00	\$0.00	M P G Montenero Management Llc
267 231 30 00	1.00	SFD	D	1.00	1.00	\$0.00	\$0.00	Levy Brian C
267 231 31 00	1.00	SFD	D	1.00	1.00	\$0.00	\$0.00	Painter Tyler&Jessica 2010 Trust 09-17-10
267 231 32 00	1.00	SFD	D	1.00	1.00	\$0.00	\$0.00	Sadagopan Vijaykrishna&Ravichandran Divya
267 231 33 00	1.00	SFD	D	1.00	1.00	\$0.00	\$0.00	Le Thuy D&Le-Pham Van T
267 231 34 00	1.00	SFD	D	1.00	1.00	\$0.00	\$0.00	Kerrin Stephen&Erica
267 231 35 00	1.00	SFD	D	1.00	1.00	\$0.00	\$0.00	Puorro Gerard E Jr&Elizabeth T
267 231 36 00	1.00	SFD	D	1.00	1.00	\$0.00	\$0.00	Nguyen Van Tuyet
267 231 37 00	1.00	SFD	D	1.00	1.00	\$0.00	\$0.00	Patibandla Suresh Babu&Sowmya Srilatha
267 231 38 00	1.00	SFD	D	1.00	1.00	\$0.00	\$0.00	Zakkout Abdel A A&Samira H
267 231 39 00	1.00	SFD	D	1.00	1.00	\$0.00	\$0.00	Chang Su Hwau&Sami Y
267 231 40 00	1.00	SFD	D	1.00	1.00	\$0.00	\$0.00	Mcgibbons Jennifer M
267 231 41 00	1.00	SFD	D	1.00	1.00	\$0.00	\$0.00	Nabbi Family Trust 09-12-13
267 231 42 00	1.00	SFD	D	1.00	1.00	\$0.00	\$0.00	Tagulao Michael T
267 231 43 00	1.00	SFD	D	1.00	1.00	\$0.00	\$0.00	Massire Christian
267 231 44 00	1.00	SFD	D	1.00	1.00	\$0.00	\$0.00	Turner David W&Rosemary E
267 231 45 00	1.00	SFD	D	1.00	1.00	\$0.00	\$0.00	Jones Wilbur G&Galli-Tognota Vittoria
267 231 46 00	1.00	SFD	D	1.00	1.00	\$0.00	\$0.00	Zhang Matthew Heng&Shen Lina



**EXHIBIT C - Assessment Roll (Fiscal Year 2020)**  
**Black Mountain Ranch North Maintenance Assessment District**

Parcel Number	Acres/ Units <sup>(1)</sup>	Land Use Code <sup>(2)</sup>	Zone	Land Use Factor <sup>(2)</sup>	Total EBUs	Unit Cost (\$/Ebu)	FY 2020 <sup>(3)</sup> Assessment	Owner Name
267 231 47 00	1.00	SFD	D	1.00	1.00	\$0.00	\$0.00	Smith Marnie
267 231 48 00	1.00	SFD	D	1.00	1.00	\$0.00	\$0.00	Jagolinzer Family Trust 11-12-15
267 231 49 00	1.00	SFD	D	1.00	1.00	\$0.00	\$0.00	Coffman Family Trust
267 231 50 00	1.00	SFD	D	1.00	1.00	\$0.00	\$0.00	Dao Thao
267 231 51 00	1.00	SFD	D	1.00	1.00	\$0.00	\$0.00	Wong Michael H&Lee Mimi A
267 231 52 00	1.00	SFD	D	1.00	1.00	\$0.00	\$0.00	Baker Paul&Cindy
267 231 53 00	1.00	SFD	D	1.00	1.00	\$0.00	\$0.00	Lown Ryan D&Megan S
267 231 54 00	0.02	OSP	D	0.00	0.00	\$0.00	\$0.00	Del Sur Community Assn
267 231 55 00	0.18	STR	D	0.00	0.00	\$0.00	\$0.00	Del Sur Community Assn
267 231 56 00	0.02	OSP	D	0.00	0.00	\$0.00	\$0.00	Del Sur Community Assn
267 231 57 00	0.97	PKU	D	0.50	0.49	\$0.00	\$0.00	Black Mountain Ranch L L C
267 232 01 00	1.00	SFD	D	1.00	1.00	\$0.00	\$0.00	Love David
267 232 02 00	1.00	SFD	D	1.00	1.00	\$0.00	\$0.00	Baik Sunghyun
267 232 03 00	1.00	SFD	D	1.00	1.00	\$0.00	\$0.00	Okeefe Thomas P Iii&Shalane
267 232 04 00	1.00	SFD	D	1.00	1.00	\$0.00	\$0.00	Chakravarthula Prashanth&Ganjam Anitha
267 232 05 00	1.00	SFD	D	1.00	1.00	\$0.00	\$0.00	Dempster Joseph M&Erin B
267 232 06 00	1.00	SFD	D	1.00	1.00	\$0.00	\$0.00	Dennison Family 2003 Trust 06-26-03
267 232 07 00	1.00	SFD	D	1.00	1.00	\$0.00	\$0.00	Zheng Qiulan
267 232 08 00	1.00	SFD	D	1.00	1.00	\$0.00	\$0.00	Charoen Don&Erin J
267 232 09 00	1.00	SFD	D	1.00	1.00	\$0.00	\$0.00	Webber Del Sur Trust 10-05-17
267 232 10 00	1.00	SFD	D	1.00	1.00	\$0.00	\$0.00	Sanfilippo Allison R
267 232 11 00	1.00	SFD	D	1.00	1.00	\$0.00	\$0.00	Connelly Jeffy J Sr&Fabiana S
267 232 12 00	1.00	SFD	D	1.00	1.00	\$0.00	\$0.00	Arora Monica
267 232 13 00	1.00	SFD	D	1.00	1.00	\$0.00	\$0.00	Concord Living Trust 12-23-15
267 232 14 00	1.00	SFD	D	1.00	1.00	\$0.00	\$0.00	Perloff Family Trust 07-11-17
267 232 15 00	1.00	SFD	D	1.00	1.00	\$0.00	\$0.00	Desai Preyas&Sheth Bishwa
267 232 16 00	1.00	SFD	D	1.00	1.00	\$0.00	\$0.00	Pinderski Eric J&Soukahn N Family Trust 01-21-17
267 232 17 00	1.00	SFD	D	1.00	1.00	\$0.00	\$0.00	Cressman William S&Juliana A
267 232 18 00	1.00	SFD	D	1.00	1.00	\$0.00	\$0.00	Kennedy Clinton W&Angela P
267 232 19 00	1.00	SFD	D	1.00	1.00	\$0.00	\$0.00	Vartak Kalra Family Trust 09-28-16
267 232 20 00	1.00	SFD	D	1.00	1.00	\$0.00	\$0.00	Yu Ning
267 232 21 00	1.00	SFD	D	1.00	1.00	\$0.00	\$0.00	Maeda Yu G&Summer F
267 232 22 00	1.00	SFD	D	1.00	1.00	\$0.00	\$0.00	Federhart Shelley A
267 232 23 00	1.00	SFD	D	1.00	1.00	\$0.00	\$0.00	Brahmbhatt Shardul K
267 232 24 00	1.00	SFD	D	1.00	1.00	\$0.00	\$0.00	Coleman Patrick J&Michelle M
267 232 25 00	1.00	SFD	D	1.00	1.00	\$0.00	\$0.00	Siedeman G D Trust No 3 06-30-11
267 232 26 00	1.00	SFD	D	1.00	1.00	\$0.00	\$0.00	Fonss Christian P Jr Trust 11-06-09
267 232 27 00	1.00	SFD	D	1.00	1.00	\$0.00	\$0.00	Rupp Ted P&Karla C
267 232 28 00	1.00	SFD	D	1.00	1.00	\$0.00	\$0.00	Payumo Elaine
267 232 29 00	1.00	SFD	D	1.00	1.00	\$0.00	\$0.00	Sooy Kevin A&Maria E
267 232 30 00	1.00	SFD	D	1.00	1.00	\$0.00	\$0.00	Giampaoli Family Trust 09-01-16
267 232 31 00	1.00	SFD	D	1.00	1.00	\$0.00	\$0.00	Johnson Jeffrey F&Lisa B
267 232 32 00	1.00	SFD	D	1.00	1.00	\$0.00	\$0.00	Barrera Marcos A&Kirsten J Revocable Trust 11-17-17
267 232 33 00	1.00	SFD	D	1.00	1.00	\$0.00	\$0.00	Monenschein Holger&Stephanie
267 232 34 00	1.00	SFD	D	1.00	1.00	\$0.00	\$0.00	Mogul Homyar C&Pervin
267 232 35 00	1.00	SFD	D	1.00	1.00	\$0.00	\$0.00	Kwon Young&Jung J
267 232 36 00	1.00	SFD	D	1.00	1.00	\$0.00	\$0.00	Wang Baojun&Li Chanjuan
267 232 37 00	1.00	SFD	D	1.00	1.00	\$0.00	\$0.00	Aroonlap Paiboon&Juthamas T
267 232 38 00	1.00	SFD	D	1.00	1.00	\$0.00	\$0.00	Faulk Maria C
267 232 39 00	1.00	SFD	D	1.00	1.00	\$0.00	\$0.00	Lorenzen Jonathan J&Kari A
267 232 40 00	1.00	SFD	D	1.00	1.00	\$0.00	\$0.00	Kline Brent C&Kelly K Family Trust
267 232 41 00	1.00	SFD	D	1.00	1.00	\$0.00	\$0.00	Dennison Family 2003 Trust 06-26-03
267 232 42 00	1.00	SFD	D	1.00	1.00	\$0.00	\$0.00	Pedder David A&Elisabeth
267 232 43 00	1.00	SFD	D	1.00	1.00	\$0.00	\$0.00	Michchenko Rouslan V&Dmitrieva Olga K
267 232 44 00	1.00	SFD	D	1.00	1.00	\$0.00	\$0.00	Lennick Paul&Nariman
267 232 45 00	1.00	SFD	D	1.00	1.00	\$0.00	\$0.00	Singer Robert L Jr&Amy N 2016 Revocable Trust 01-18-16
267 232 46 00	1.00	SFD	D	1.00	1.00	\$0.00	\$0.00	Cheng Wei&Wang Wei
267 232 47 00	1.00	SFD	D	1.00	1.00	\$0.00	\$0.00	Murphy Thomas&Patricia Trust 12-03-01
267 232 48 00	1.00	SFD	D	1.00	1.00	\$0.00	\$0.00	Milner Christy

## EXHIBIT C - Assessment Roll (Fiscal Year 2020)

### Black Mountain Ranch North Maintenance Assessment District

Parcel Number	Acres/ Units <sup>(1)</sup>	Land Use Code <sup>(2)</sup>	Zone	Land Use Factor <sup>(2)</sup>	Total EBUs	Unit Cost (\$/Ebu)	FY 2020 <sup>(3)</sup> Assessment	Owner Name
267 232 49 00	1.00	SFD	D	1.00	1.00	\$0.00	\$0.00	Brittain Grant
267 232 50 00	1.00	SFD	D	1.00	1.00	\$0.00	\$0.00	Bahmanyar Family Trust 10-21-02
267 232 51 00	1.00	SFD	D	1.00	1.00	\$0.00	\$0.00	Gillespie Donald S&Kimberly H
267 232 52 00	1.00	SFD	D	1.00	1.00	\$0.00	\$0.00	Ladow Kenneth G&Britney C
267 232 53 00	1.00	SFD	D	1.00	1.00	\$0.00	\$0.00	Childs Tracie L
267 232 54 00	1.00	SFD	D	1.00	1.00	\$0.00	\$0.00	Desai Shiv R
267 232 55 00	1.00	SFD	D	1.00	1.00	\$0.00	\$0.00	Fontes Kellie A
267 232 56 00	1.00	SFD	D	1.00	1.00	\$0.00	\$0.00	Cheng Wesley
267 232 57 00	1.00	SFD	D	1.00	1.00	\$0.00	\$0.00	Khurana Varun&Atica
267 232 58 00	1.00	SFD	D	1.00	1.00	\$0.00	\$0.00	Hamatanga Siphon Fred&Petrina M
267 232 59 00	1.00	SFD	D	1.00	1.00	\$0.00	\$0.00	Montan Aaron M&Kristen N
267 232 60 00	1.00	SFD	D	1.00	1.00	\$0.00	\$0.00	Shah Tejash&Sethia Nisha
267 232 61 00	1.00	SFD	D	1.00	1.00	\$0.00	\$0.00	Lee Ho Sang&Soon Ae
267 232 62 00	1.00	SFD	D	1.00	1.00	\$0.00	\$0.00	Ouk Jonathan Chan&Shu Chi Liu
267 232 63 00	1.00	SFD	D	1.00	1.00	\$0.00	\$0.00	Biele Chris&Kelly
267 232 64 00	1.00	SFD	D	1.00	1.00	\$0.00	\$0.00	Filoteo Manuel G&Rufina S
267 232 65 00	1.00	SFD	D	1.00	1.00	\$0.00	\$0.00	Ramkumar Vasanth K&Vandhana Smruthi
267 232 66 00	1.00	SFD	D	1.00	1.00	\$0.00	\$0.00	Efe Baris&Neslihan
267 232 67 00	1.00	SFD	D	1.00	1.00	\$0.00	\$0.00	Chou Weilin&Chi Annie
267 232 68 00	1.00	SFD	D	1.00	1.00	\$0.00	\$0.00	Shen Zancong&Yao Hongtao
267 232 69 00	1.00	SFD	D	1.00	1.00	\$0.00	\$0.00	Patrick William J&Kristin A
267 232 70 00	1.00	SFD	D	1.00	1.00	\$0.00	\$0.00	Picklesimer Francis L&Carey E
267 232 71 00	1.00	SFD	D	1.00	1.00	\$0.00	\$0.00	Spatz Steven D
267 232 72 00	1.00	SFD	D	1.00	1.00	\$0.00	\$0.00	Rubino Anthony&Rebecca M
267 232 73 00	1.00	SFD	D	1.00	1.00	\$0.00	\$0.00	Allen Anthony L
267 232 74 00	1.00	SFD	D	1.00	1.00	\$0.00	\$0.00	Cleveland Amy K
267 232 75 00	1.00	SFD	D	1.00	1.00	\$0.00	\$0.00	Purdie Bruce C
267 232 76 00	1.00	SFD	D	1.00	1.00	\$0.00	\$0.00	Pandurangam Venkatesh B C&Canchi Kavitha
267 232 77 00	1.00	SFD	D	1.00	1.00	\$0.00	\$0.00	Ou Victor&Maria L
267 232 78 00	1.00	SFD	D	1.00	1.00	\$0.00	\$0.00	Byres David B&Toshie I
267 232 79 00	1.00	SFD	D	1.00	1.00	\$0.00	\$0.00	Oconnor Randa Trust 01-25-17
267 232 80 00	1.00	SFD	D	1.00	1.00	\$0.00	\$0.00	Three Little Birds Family Trust 10-21-16
267 232 81 00	1.00	SFD	D	1.00	1.00	\$0.00	\$0.00	Gangapuram Jaipal&Reddygari Sreelakshmi
267 232 82 00	1.00	SFD	D	1.00	1.00	\$0.00	\$0.00	Reddy Kishori
267 232 83 00	1.00	SFD	D	1.00	1.00	\$0.00	\$0.00	Juenger Family 2015 Trust 05-28-15
267 232 84 00	1.00	SFD	D	1.00	1.00	\$0.00	\$0.00	Nannaka Anurag
267 232 85 00	0.23	STR	D	0.00	0.00	\$0.00	\$0.00	Del Sur Community Assn
267 232 86 00	0.24	STR	D	0.00	0.00	\$0.00	\$0.00	Black Mountain Ranch L L C
267 232 87 00	0.07	STR	D	0.00	0.00	\$0.00	\$0.00	Del Sur Community Assn
267 232 88 00	0.07	STR	D	0.00	0.00	\$0.00	\$0.00	Del Sur Community Assn
267 232 89 00	0.34	STR	D	0.00	0.00	\$0.00	\$0.00	Black Mountain Ranch L L C
267 232 90 00	0.69	OSP	D	0.00	0.00	\$0.00	\$0.00	Black Mountain Ranch L L C
267 232 91 00	0.29	OSP	D	0.00	0.00	\$0.00	\$0.00	Black Mountain Ranch L L C
267 240 01 00	1.00	SFD	D	1.00	1.00	\$0.00	\$0.00	McLoughlin Trust 09-16-10
267 240 02 00	1.00	SFD	D	1.00	1.00	\$0.00	\$0.00	Miller Blake D&Jeryl A Revocable Trust 04-12-99
267 240 03 00	1.00	SFD	D	1.00	1.00	\$0.00	\$0.00	Sun Huikai&Xu Guangting
267 240 04 00	1.00	SFD	D	1.00	1.00	\$0.00	\$0.00	Nguyen Hoang T&Bichvan T
267 240 05 00	1.00	SFD	D	1.00	1.00	\$0.00	\$0.00	Duck Kevin M&Jamie M
267 240 06 00	1.00	SFD	D	1.00	1.00	\$0.00	\$0.00	Miller Scott A&Pham Megan
267 240 07 00	1.00	SFD	D	1.00	1.00	\$0.00	\$0.00	Covell Gretchen E S
267 240 08 00	1.00	SFD	D	1.00	1.00	\$0.00	\$0.00	Valle Vincent R&Guthrie Heather D
267 240 09 00	1.00	SFD	D	1.00	1.00	\$0.00	\$0.00	Rhoades Jason
267 240 10 00	1.00	SFD	D	1.00	1.00	\$0.00	\$0.00	Garceau Gregory S&Jennifer A
267 240 11 00	1.00	SFD	D	1.00	1.00	\$0.00	\$0.00	Lin Lisa Chia
267 240 12 00	1.00	SFD	D	1.00	1.00	\$0.00	\$0.00	Singer Living Trust 02-15-94
267 240 13 00	1.00	SFD	D	1.00	1.00	\$0.00	\$0.00	Crossland Richard&Diferdinando Dana M
267 240 14 00	1.00	SFD	D	1.00	1.00	\$0.00	\$0.00	Segal Alexander&Dina B 2017 Revocable Trust 05-05-17
267 240 15 00	1.00	SFD	D	1.00	1.00	\$0.00	\$0.00	Zhu Genjiang&Gao Li
267 240 16 00	1.00	SFD	D	1.00	1.00	\$0.00	\$0.00	Feist Raymond E

## EXHIBIT C - Assessment Roll (Fiscal Year 2020)

### Black Mountain Ranch North Maintenance Assessment District

Parcel Number	Acres/ Units <sup>(1)</sup>	Land Use Code <sup>(2)</sup>	Zone	Land Use Factor <sup>(2)</sup>	Total EBU's	Unit Cost (\$/EBU)	FY 2020 <sup>(3)</sup> Assessment	Owner Name
267 240 17 00	1.00	SFD	D	1.00	1.00	\$0.00	\$0.00	Thadani Tarun&Aashie
267 240 18 00	1.00	SFD	D	1.00	1.00	\$0.00	\$0.00	Smith Franklin Dean&Catherine Ann Preciso
267 240 19 00	1.00	SFD	D	1.00	1.00	\$0.00	\$0.00	Pham Khai&Truong Tram Q
267 240 20 00	1.00	SFD	D	1.00	1.00	\$0.00	\$0.00	Wisniewski Trust 09-01-10
267 240 21 00	1.00	SFD	D	1.00	1.00	\$0.00	\$0.00	Himelstein Family Trust 08-15-05
267 240 22 00	1.00	SFD	D	1.00	1.00	\$0.00	\$0.00	Fernandez-Lim Paz
267 240 23 00	1.00	SFD	D	1.00	1.00	\$0.00	\$0.00	Klotzkin Philip A&Jennifer L 2014 Family Trust
267 240 24 00	1.00	SFD	D	1.00	1.00	\$0.00	\$0.00	Borst Family Trust 12-10-13
267 240 25 00	1.00	SFD	D	1.00	1.00	\$0.00	\$0.00	Mccrary Ryan P&Dana S
267 240 26 00	1.00	SFD	D	1.00	1.00	\$0.00	\$0.00	Bustamante Living Trust 08-26-11
267 240 27 00	1.00	SFD	D	1.00	1.00	\$0.00	\$0.00	Kloberdanz James E&Danielle Y 2009 Trust 05-19-09
267 240 28 00	1.00	SFD	D	1.00	1.00	\$0.00	\$0.00	Sheils Brigitte P
267 240 29 00	1.00	SFD	D	1.00	1.00	\$0.00	\$0.00	Hawkins David&Vidya
267 240 30 00	1.00	SFD	D	1.00	1.00	\$0.00	\$0.00	Nagaraj Sundaram&Prabhakar Aparna
267 240 31 00	1.00	SFD	D	1.00	1.00	\$0.00	\$0.00	Stainer Derek G&Laura J
267 240 32 00	1.00	SFD	D	1.00	1.00	\$0.00	\$0.00	Gilmore Lucas&Stewart Amy
267 240 33 00	1.00	SFD	D	1.00	1.00	\$0.00	\$0.00	Eleazar Family Trust 12-22-17
267 240 34 00	1.00	SFD	D	1.00	1.00	\$0.00	\$0.00	Henderson Chester&Melissa
267 240 35 00	1.00	SFD	D	1.00	1.00	\$0.00	\$0.00	Vondyl Trust 02-11-04
267 240 36 00	1.00	SFD	D	1.00	1.00	\$0.00	\$0.00	Waterman Patrick B li&Janelle R
267 240 37 00	1.00	SFD	D	1.00	1.00	\$0.00	\$0.00	Nunna Pavan Kumar&Sharma Vipula
267 240 38 00	1.00	SFD	D	1.00	1.00	\$0.00	\$0.00	Hsu Cathy 2003 Trust 06-26-03
267 240 39 00	1.00	SFD	D	1.00	1.00	\$0.00	\$0.00	Hartung Nicole A&Robert M
267 240 40 00	1.00	SFD	D	1.00	1.00	\$0.00	\$0.00	Drukin Vladimir&Yana
267 240 41 00	1.00	SFD	D	1.00	1.00	\$0.00	\$0.00	Armstrong Shayne M&Kelly A
267 240 42 00	0.20	STR	D	0.00	0.00	\$0.00	\$0.00	Del Sur Community Assn
267 240 43 00	0.20	STR	D	0.00	0.00	\$0.00	\$0.00	Del Sur Community Assn
267 240 44 00	0.14	STR	D	0.00	0.00	\$0.00	\$0.00	Del Sur Community Assn
267 241 01 00	1.00	SFD	D	1.00	1.00	\$0.00	\$0.00	Pinkerski Eric J&Soukahn N Family Trust 01-21-17
267 241 02 00	1.00	SFD	D	1.00	1.00	\$0.00	\$0.00	Aquino Mona V G
267 241 03 00	1.00	SFD	D	1.00	1.00	\$0.00	\$0.00	White R Living Trust 04-12-17
267 241 04 00	1.00	SFD	D	1.00	1.00	\$0.00	\$0.00	Fullerton Timothy D&Szonn Sabine C
267 241 05 00	1.00	SFD	D	1.00	1.00	\$0.00	\$0.00	Arora Mohit&Tewani Vandana
267 241 06 00	1.00	SFD	D	1.00	1.00	\$0.00	\$0.00	Mosaad Moheb F&Linda F
267 241 07 00	1.00	SFD	D	1.00	1.00	\$0.00	\$0.00	Teresso Michael R Jr
267 241 08 00	1.00	SFD	D	1.00	1.00	\$0.00	\$0.00	Pick Nathan P
267 241 09 00	1.00	SFD	D	1.00	1.00	\$0.00	\$0.00	Rowbottom Moorjani Trust 08-08-11
267 241 10 00	1.00	SFD	D	1.00	1.00	\$0.00	\$0.00	Canpolat Onur&Bengucan
267 241 11 00	1.00	SFD	D	1.00	1.00	\$0.00	\$0.00	Shan Min&Deng Tao
267 241 12 00	1.00	SFD	D	1.00	1.00	\$0.00	\$0.00	Rauch Jeffrey R
267 241 13 00	1.00	SFD	D	1.00	1.00	\$0.00	\$0.00	Kotob Maya
267 241 14 00	1.00	SFD	D	1.00	1.00	\$0.00	\$0.00	Zhou Wei
267 241 15 00	1.00	SFD	D	1.00	1.00	\$0.00	\$0.00	Vaddula Ramakoti&Rajitha
267 241 16 00	1.00	SFD	D	1.00	1.00	\$0.00	\$0.00	Alexander Scott&Debbie
267 241 17 00	1.00	SFD	D	1.00	1.00	\$0.00	\$0.00	Samiee Kevan T&Nystrom Eleanor K
267 241 18 00	1.00	SFD	D	1.00	1.00	\$0.00	\$0.00	Domingo Family Trust 12-05-05
267 241 19 00	1.00	SFD	D	1.00	1.00	\$0.00	\$0.00	Do Jason Q&Ailoon H
267 241 20 00	1.00	SFD	D	1.00	1.00	\$0.00	\$0.00	Johnson Jerilyn Della
267 241 21 00	1.00	SFD	D	1.00	1.00	\$0.00	\$0.00	Culligan Joseph P&Kimberly A
267 241 22 00	1.00	SFD	D	1.00	1.00	\$0.00	\$0.00	Krishnamurthi Sai N&Mahalingam Aarthi
267 241 23 00	1.00	SFD	D	1.00	1.00	\$0.00	\$0.00	Hallock Samuel H&Wasserman-Hallock Lindsay C
267 241 24 00	1.00	SFD	D	1.00	1.00	\$0.00	\$0.00	Aoshima Revocable Living 2010 Trust 08-09-10
267 241 25 00	1.00	SFD	D	1.00	1.00	\$0.00	\$0.00	Shelton Jeffrey S&Quan Uyen Ngoc
267 241 26 00	1.00	SFD	D	1.00	1.00	\$0.00	\$0.00	Kim Lae-Hoon&Lee Su Na
267 241 27 00	1.00	SFD	D	1.00	1.00	\$0.00	\$0.00	Ramos Tryna M
267 241 28 00	1.00	SFD	D	1.00	1.00	\$0.00	\$0.00	Svetina Marko&Tsurska Olena A
267 241 29 00	1.00	SFD	D	1.00	1.00	\$0.00	\$0.00	Gonzalez Jose M&Munoz Margarita F Trust 02-20-17
267 241 30 00	1.00	SFD	D	1.00	1.00	\$0.00	\$0.00	Trytek Susan E
267 241 31 00	1.00	SFD	D	1.00	1.00	\$0.00	\$0.00	Beadle Michael A&Jenni L

## EXHIBIT C - Assessment Roll (Fiscal Year 2020)

### Black Mountain Ranch North Maintenance Assessment District

Parcel Number	Acres/ Units <sup>(1)</sup>	Land Use Code <sup>(2)</sup>	Zone	Land Use Factor <sup>(2)</sup>	Total EBUs	Unit Cost (\$/EBU)	FY 2020 <sup>(3)</sup> Assessment	Owner Name
267 241 32 00	1.00	SFD	D	1.00	1.00	\$0.00	\$0.00	Gouvis Peter&Heather
267 241 33 00	1.00	SFD	D	1.00	1.00	\$0.00	\$0.00	Jerris Mary L Living Trust 09-01-16
267 241 34 00	1.00	SFD	D	1.00	1.00	\$0.00	\$0.00	Hewitt F&J Family Trust 11-21-90
267 241 35 00	1.00	SFD	D	1.00	1.00	\$0.00	\$0.00	Sundel Samuel&Martha
267 241 36 00	1.00	SFD	D	1.00	1.00	\$0.00	\$0.00	Chen Ricky Z
267 241 37 00	1.00	SFD	D	1.00	1.00	\$0.00	\$0.00	Hazlehurst Family Trust 12-28-17
267 241 38 00	1.00	SFD	D	1.00	1.00	\$0.00	\$0.00	Edrosolo Arnie J G&Rachel A F
267 241 39 00	1.00	SFD	D	1.00	1.00	\$0.00	\$0.00	Robbins Matthew S&Dana T
267 241 40 00	1.00	SFD	D	1.00	1.00	\$0.00	\$0.00	Xu Zheming&Yang Yiran
267 241 41 00	1.00	SFD	D	1.00	1.00	\$0.00	\$0.00	Cho Jin Wook&Jeon Hye Won
267 241 42 00	0.17	STR	D	0.00	0.00	\$0.00	\$0.00	Del Sur Community Association
267 241 43 00	0.26	STR	D	0.00	0.00	\$0.00	\$0.00	Del Sur Community Association
267 241 44 00	0.20	STR	D	0.00	0.00	\$0.00	\$0.00	Shea Homes Limited Partnership
267 250 01 00	1.00	SFD	D	1.00	1.00	\$0.00	\$0.00	Jaleel Gassan&Hasan Ranya Family Trust 11-08-07
267 250 02 00	1.00	SFD	D	1.00	1.00	\$0.00	\$0.00	Shay Raymond A&Theresa P
267 250 03 00	1.00	SFD	D	1.00	1.00	\$0.00	\$0.00	Gruen Jonathan D&Christine R
267 250 04 00	1.00	SFD	D	1.00	1.00	\$0.00	\$0.00	Orosa Dennis R&Marie G
267 250 05 00	1.00	SFD	D	1.00	1.00	\$0.00	\$0.00	Niemela Jari&Allen Carolyn J
267 250 06 00	1.00	SFD	D	1.00	1.00	\$0.00	\$0.00	Dai Wenrui&Ding Yi
267 250 07 00	1.00	SFD	D	1.00	1.00	\$0.00	\$0.00	Penning Benjamin L&Cindy A
267 250 08 00	1.00	SFD	D	1.00	1.00	\$0.00	\$0.00	Park Sangbin&Lee Jiwon
267 250 09 00	1.00	SFD	D	1.00	1.00	\$0.00	\$0.00	Yuguchi Karen M
267 250 10 00	1.00	SFD	D	1.00	1.00	\$0.00	\$0.00	Koo Seongjoon&Hyon K
267 250 11 00	1.00	SFD	D	1.00	1.00	\$0.00	\$0.00	Mcafee Allan&Charissa
267 250 12 00	1.00	SFD	D	1.00	1.00	\$0.00	\$0.00	Calacsan Simeon V Jr&Cynthia S
267 250 13 00	1.00	SFD	D	1.00	1.00	\$0.00	\$0.00	Shinn Kathryn P
267 250 14 00	1.00	SFD	D	1.00	1.00	\$0.00	\$0.00	Wilkes Family 2017 Trust
267 250 15 00	1.00	SFD	D	1.00	1.00	\$0.00	\$0.00	Werner Jared P&Renee A
267 250 16 00	1.00	SFD	D	1.00	1.00	\$0.00	\$0.00	Chen Shou-Hsien&Wang Hsiao-Hsuan
267 250 17 00	1.00	SFD	D	1.00	1.00	\$0.00	\$0.00	Wirtz Brian D&Alison B
267 250 18 00	1.00	SFD	D	1.00	1.00	\$0.00	\$0.00	Gray Charles L Jr&Judy A
267 250 19 00	1.00	SFD	D	1.00	1.00	\$0.00	\$0.00	Chinn Kevin E&Kendall L
267 250 20 00	1.00	SFD	D	1.00	1.00	\$0.00	\$0.00	Morse Revocable Living Trust 06-12-91
267 250 21 00	1.00	SFD	D	1.00	1.00	\$0.00	\$0.00	Hasbrook Daniel G&Patricia A
267 250 22 00	1.00	SFD	D	1.00	1.00	\$0.00	\$0.00	Riley Michael&Heather 08-18-17
267 250 23 00	1.00	SFD	D	1.00	1.00	\$0.00	\$0.00	Sanders Sean H&Christina A
267 250 24 00	1.00	SFD	D	1.00	1.00	\$0.00	\$0.00	Smith Christopher E&Sandra P Escalante
267 250 25 00	1.00	SFD	D	1.00	1.00	\$0.00	\$0.00	Riggins Family Trust 04-09-09
267 250 26 00	1.00	SFD	D	1.00	1.00	\$0.00	\$0.00	Chung Hyukjune&Hwang Jungshim
267 250 27 00	1.00	SFD	D	1.00	1.00	\$0.00	\$0.00	Peterson Kevin&Francine
267 250 28 00	1.00	SFD	D	1.00	1.00	\$0.00	\$0.00	Delsen Living Trust 03-24-17
267 250 29 00	1.00	SFD	D	1.00	1.00	\$0.00	\$0.00	Abitria Richard R&Janet K R
267 250 30 00	0.02	OSP	D	0.00	0.00	\$0.00	\$0.00	Delsur Community Association
267 250 31 00	1.55	PKU	D	0.50	0.78	\$0.00	\$0.00	Del Sur Community Assn
267 270 08 00	204.00	MFR	F	0.70	142.80	\$0.00	\$0.00	C I C Fairbanks L P
267 270 10 00	3.77	OSP	G	0.00	0.00	\$0.00	\$0.00	Black Mountain Ranch L L C
267 270 10 00	6.33	OSP	F	0.00	0.00	\$0.00	\$0.00	Black Mountain Ranch L L C
267 270 11 00	1.50	UTL	A	3.00	4.50	\$0.00	\$0.00	San Diego Gas&Electric Co
267 270 12 00	1.20	UTL	A	3.00	3.60	\$0.00	\$0.00	San Diego Gas&Electric Co
267 270 13 00	1.50	STR	A	0.00	0.00	\$0.00	\$0.00	Black Mountain Ranch L L C
267 280 01 00	1.00	SFD	D	1.00	1.00	\$0.00	\$0.00	Schaller A&J Family Trust 12-06-13
267 280 02 00	1.00	SFD	D	1.00	1.00	\$0.00	\$0.00	Brand Beau S&Lucia S
267 280 03 00	1.00	SFD	D	1.00	1.00	\$0.00	\$0.00	Lowenthal&Tanimoto Family Trust 3 04-03-06
267 280 04 00	1.00	SFD	D	1.00	1.00	\$0.00	\$0.00	Gagne Gary R&Ramos Blanca S
267 280 05 00	1.00	SFD	D	1.00	1.00	\$0.00	\$0.00	J J S C L M Revocable Trust 02-22-08
267 280 06 00	1.00	SFD	D	1.00	1.00	\$0.00	\$0.00	Naval Joseph N&Gonzales-Naval Laarni E
267 280 07 00	1.00	SFD	D	1.00	1.00	\$0.00	\$0.00	Walden Carrie
267 280 08 00	1.00	SFD	D	1.00	1.00	\$0.00	\$0.00	Benavidez Arturo&Adela
267 280 09 00	1.00	SFD	D	1.00	1.00	\$0.00	\$0.00	Loucks Family Trust 06-24-98

## EXHIBIT C - Assessment Roll (Fiscal Year 2020)

### Black Mountain Ranch North Maintenance Assessment District

Parcel Number	Acres/ Units <sup>(1)</sup>	Land Use Code <sup>(2)</sup>	Zone	Land Use Factor <sup>(2)</sup>	Total EBUs	Unit Cost (\$/Ebu)	FY 2020 <sup>(3)</sup> Assessment	Owner Name
267 280 10 00	1.00	SFD	D	1.00	1.00	\$0.00	\$0.00	Homolac Steven J&Gordon Carolyn L
267 280 11 00	1.00	SFD	D	1.00	1.00	\$0.00	\$0.00	Villanueva Lily M C
267 280 12 00	1.00	SFD	D	1.00	1.00	\$0.00	\$0.00	Lapine Ryan&Samantha
267 280 13 00	1.00	SFD	D	1.00	1.00	\$0.00	\$0.00	Vaplon Craig M&Leah M
267 280 14 00	1.00	SFD	D	1.00	1.00	\$0.00	\$0.00	Pahwa Ravneet S&Amanpreet K
267 280 15 00	1.00	SFD	D	1.00	1.00	\$0.00	\$0.00	Markowicz-Sinopoli Trust 12-16-09
267 280 16 00	1.00	SFD	D	1.00	1.00	\$0.00	\$0.00	Miller Jeffrey A&Erin L
267 280 17 00	1.00	SFD	D	1.00	1.00	\$0.00	\$0.00	Peace James C&Heidi A
267 280 18 00	1.00	SFD	D	1.00	1.00	\$0.00	\$0.00	Alahmad Mohamad&Saleh Rhonda
267 280 19 00	1.00	SFD	D	1.00	1.00	\$0.00	\$0.00	Parathasarathy Muralikrishnan&Mohan Sweatha
267 280 20 00	1.00	SFD	D	1.00	1.00	\$0.00	\$0.00	Fitzpatrick Family Trust 01-21-03
267 280 21 00	1.00	SFD	D	1.00	1.00	\$0.00	\$0.00	Katti Mahidhar M&Jyothi M
267 280 22 00	1.00	SFD	D	1.00	1.00	\$0.00	\$0.00	Kaileh Tanya 2014 Trust
267 280 23 00	1.00	SFD	D	1.00	1.00	\$0.00	\$0.00	Valero Eric D&Eileen L
267 280 24 00	1.00	SFD	D	1.00	1.00	\$0.00	\$0.00	Banaga Romulo E&Marita
267 280 25 00	1.00	SFD	D	1.00	1.00	\$0.00	\$0.00	Salimi Ramadev Family Trust 03-02-17
267 280 26 00	1.00	SFD	D	1.00	1.00	\$0.00	\$0.00	Llamas Richard D&Janet S
267 280 27 00	1.00	SFD	D	1.00	1.00	\$0.00	\$0.00	Gadebusch Neal&Talbert Kristin
267 280 28 00	1.00	SFD	D	1.00	1.00	\$0.00	\$0.00	Slavin Leonid&Marina O
267 280 29 00	1.00	SFD	D	1.00	1.00	\$0.00	\$0.00	Petray James C&Andrea L
267 280 30 00	1.00	SFD	D	1.00	1.00	\$0.00	\$0.00	Gonzales Pelagio B&Lorna E
267 280 31 00	1.00	SFD	D	1.00	1.00	\$0.00	\$0.00	Camaclang Jonathan T&Lisa E
267 280 32 00	0.19	STR	D	0.00	0.00	\$0.00	\$0.00	Del Sur Community Assn
267 281 01 00	1.00	SFD	D	1.00	1.00	\$0.00	\$0.00	Atkinson Matthew&Saba Julia
267 281 02 00	1.00	SFD	D	1.00	1.00	\$0.00	\$0.00	Feldman James A&Leslie M
267 281 03 00	1.00	SFD	D	1.00	1.00	\$0.00	\$0.00	Small Wendell T&Kristen L
267 281 04 00	1.00	SFD	D	1.00	1.00	\$0.00	\$0.00	Stewart Family Trust 05-05-11
267 281 05 00	1.00	SFD	D	1.00	1.00	\$0.00	\$0.00	Campbell Family Revocable Trust 09-29-15
267 281 06 00	1.00	SFD	D	1.00	1.00	\$0.00	\$0.00	Petersen R J&Yasmine A
267 281 07 00	1.00	SFD	D	1.00	1.00	\$0.00	\$0.00	Delatorre Living Trust 04-27-11
267 281 08 00	1.00	SFD	D	1.00	1.00	\$0.00	\$0.00	Borgardt Brandon S&Elizabeth A
267 281 09 00	1.00	SFD	D	1.00	1.00	\$0.00	\$0.00	Tran Kristin H&Bach Binh
267 281 10 00	1.00	SFD	D	1.00	1.00	\$0.00	\$0.00	Bustos Jeffrey B&Lajoie Andrea
267 281 11 00	1.00	SFD	D	1.00	1.00	\$0.00	\$0.00	Hernandez Johnny R&Susie S
267 281 12 00	1.00	SFD	D	1.00	1.00	\$0.00	\$0.00	Poulsen Todd W&Marilyn C
267 281 13 00	1.00	SFD	D	1.00	1.00	\$0.00	\$0.00	Movva Tejoram&Natasha
267 281 14 00	1.00	SFD	D	1.00	1.00	\$0.00	\$0.00	Thirumala Raghavan&Karthikeyan Deepa
267 281 15 00	1.00	SFD	D	1.00	1.00	\$0.00	\$0.00	Fajardo Ceferino T Ili&Garcia Mary A
267 281 16 00	1.00	SFD	D	1.00	1.00	\$0.00	\$0.00	Garrett Matthew J&Daravanh
267 281 17 00	1.00	SFD	D	1.00	1.00	\$0.00	\$0.00	Bhalla Anurag&Shuchi
267 281 18 00	1.00	SFD	D	1.00	1.00	\$0.00	\$0.00	Kumar Raj
267 281 19 00	1.00	SFD	D	1.00	1.00	\$0.00	\$0.00	Glaser Thomas&Diana
267 281 20 00	1.00	SFD	D	1.00	1.00	\$0.00	\$0.00	Johnson Family Trust 09-01-05
267 281 21 00	1.00	SFD	D	1.00	1.00	\$0.00	\$0.00	Shah Asif I
267 281 22 00	1.00	SFD	D	1.00	1.00	\$0.00	\$0.00	Sullaway Britta Family Trust
267 281 23 00	1.00	SFD	D	1.00	1.00	\$0.00	\$0.00	Singh Mary T
267 281 24 00	1.00	SFD	D	1.00	1.00	\$0.00	\$0.00	Ihrig Chad B&Christina H
267 281 25 00	1.00	SFD	D	1.00	1.00	\$0.00	\$0.00	Parker Andrew S&Lindsay A H
267 281 26 00	1.00	SFD	D	1.00	1.00	\$0.00	\$0.00	Vandeberg Jerry S&Deborah R Revocable Trust 11-18-10
267 281 27 00	1.00	SFD	D	1.00	1.00	\$0.00	\$0.00	Katragadda Siddhartha&Kancherla Keerthi
267 281 28 00	1.00	SFD	D	1.00	1.00	\$0.00	\$0.00	Packer Michael G&Lynda E
267 281 29 00	1.00	SFD	D	1.00	1.00	\$0.00	\$0.00	Choy Martin&Julie
267 281 30 00	1.00	SFD	D	1.00	1.00	\$0.00	\$0.00	Falkenstrom James M&Stirling Adrienne L
267 281 31 00	1.00	SFD	D	1.00	1.00	\$0.00	\$0.00	Hines Paige
267 281 32 00	1.00	SFD	D	1.00	1.00	\$0.00	\$0.00	Costa Family Trust 09-29-99
267 281 33 00	1.00	SFD	D	1.00	1.00	\$0.00	\$0.00	Griffin Christian T&Dominique M
267 281 34 00	1.00	SFD	D	1.00	1.00	\$0.00	\$0.00	Marcus David&Daniela
267 281 35 00	1.00	SFD	D	1.00	1.00	\$0.00	\$0.00	Chung Kyusik&Kim Jihee
267 281 36 00	1.00	SFD	D	1.00	1.00	\$0.00	\$0.00	Avaregan Ashley A&Ruslana

## EXHIBIT C - Assessment Roll (Fiscal Year 2020)

### Black Mountain Ranch North Maintenance Assessment District

Parcel Number	Acres/ Units <sup>(1)</sup>	Land Use Code <sup>(2)</sup>	Zone	Land Use Factor <sup>(2)</sup>	Total EBUs	Unit Cost (\$/Ebu)	FY 2020 <sup>(3)</sup> Assessment	Owner Name
267 281 37 00	1.00	SFD	D	1.00	1.00	\$0.00	\$0.00	Chan Howard&Elizabeth D G Family 2014 Trust
267 281 38 00	0.22	STR	D	0.00	0.00	\$0.00	\$0.00	Del Sur Community Assn
267 281 39 00	0.06	STR	D	0.00	0.00	\$0.00	\$0.00	Del Sur Community Association
267 281 40 00	0.06	STR	D	0.00	0.00	\$0.00	\$0.00	Del Sur Community Association
267 281 41 00	1.45	PKU	D	0.50	0.73	\$0.00	\$0.00	Del Sur Community Assn
267 290 01 00	1.00	SFD	D	1.00	1.00	\$0.00	\$0.00	Brown Frederick Howard Iii&Amanda Morris
267 290 02 00	1.00	SFD	D	1.00	1.00	\$0.00	\$0.00	Rosenfeld Jason L&Ilyse H
267 290 03 00	1.00	SFD	D	1.00	1.00	\$0.00	\$0.00	Kihara James K&Christian M
267 290 04 00	1.00	SFD	D	1.00	1.00	\$0.00	\$0.00	Smith Thomas&Rory
267 290 05 00	1.00	SFD	D	1.00	1.00	\$0.00	\$0.00	Chiovani Family 2014 Trust 11-21-14
267 290 06 00	1.00	SFD	D	1.00	1.00	\$0.00	\$0.00	Bertrand Cynthia J
267 290 07 00	1.00	SFD	D	1.00	1.00	\$0.00	\$0.00	Pollak Brett&Stephanie J
267 290 08 00	1.00	SFD	D	1.00	1.00	\$0.00	\$0.00	Crowell Living Trust 07-07-16
267 290 09 00	1.00	SFD	D	1.00	1.00	\$0.00	\$0.00	Kunowski Peter&Betty
267 290 10 00	1.00	SFD	D	1.00	1.00	\$0.00	\$0.00	Leedom Michael&Jennifer
267 290 11 00	1.00	SFD	D	1.00	1.00	\$0.00	\$0.00	Cottle David&Jennifer
267 290 12 00	1.00	SFD	D	1.00	1.00	\$0.00	\$0.00	Brogdon James M&Donovan Maria
267 290 13 00	1.00	SFD	D	1.00	1.00	\$0.00	\$0.00	Roland Jason&Smith Deborah
267 290 14 00	1.00	SFD	D	1.00	1.00	\$0.00	\$0.00	Sadrieh Kiana
267 290 15 00	1.00	SFD	D	1.00	1.00	\$0.00	\$0.00	Han Sangdon&Kim Hyeju
267 290 16 00	1.00	SFD	D	1.00	1.00	\$0.00	\$0.00	Bhaghani 2008 Family Trust 05-29-08
267 290 17 00	1.00	SFD	D	1.00	1.00	\$0.00	\$0.00	McCartin Thomas W
267 290 18 00	1.00	SFD	D	1.00	1.00	\$0.00	\$0.00	Mahboubi Vafa&Yount Susan L
267 290 19 00	1.00	SFD	D	1.00	1.00	\$0.00	\$0.00	Burgos Michael C&Melissa M
267 290 20 00	1.00	SFD	D	1.00	1.00	\$0.00	\$0.00	Berkebile James W&Amy G
267 290 21 00	1.00	SFD	D	1.00	1.00	\$0.00	\$0.00	Krylow John P Jr&Tara M
267 290 22 00	1.00	SFD	D	1.00	1.00	\$0.00	\$0.00	Kahn Carl
267 290 23 00	1.00	SFD	D	1.00	1.00	\$0.00	\$0.00	Felke Family Trust 02-27-15
267 290 24 00	1.00	SFD	D	1.00	1.00	\$0.00	\$0.00	Rowe Alan&Petra
267 290 25 00	1.00	SFD	D	1.00	1.00	\$0.00	\$0.00	Forshan Dana&Collette
267 290 26 00	1.00	SFD	D	1.00	1.00	\$0.00	\$0.00	Silverwood James&Cristie
267 290 27 00	1.00	SFD	D	1.00	1.00	\$0.00	\$0.00	Evans Daniel L&Lisa M Revocable Trust 02-18-13
267 290 28 00	1.00	SFD	D	1.00	1.00	\$0.00	\$0.00	Neault David S&Natalie J
267 290 29 00	1.00	SFD	D	1.00	1.00	\$0.00	\$0.00	Luo Siqi
267 290 30 00	1.00	SFD	D	1.00	1.00	\$0.00	\$0.00	Andrade Adam&May M
267 290 31 00	1.00	SFD	D	1.00	1.00	\$0.00	\$0.00	Modeste Roger T&Laverne
267 290 32 00	1.00	SFD	D	1.00	1.00	\$0.00	\$0.00	Li Guohong&Cheng Ping
267 290 33 00	1.00	SFD	D	1.00	1.00	\$0.00	\$0.00	L L T F Revocable Trust 09-19-10
267 290 34 00	1.00	SFD	D	1.00	1.00	\$0.00	\$0.00	Glass John T&Julie D
267 290 35 00	1.00	SFD	D	1.00	1.00	\$0.00	\$0.00	Teeter Matthew&Jennifer Trust 05-30-13
267 290 36 00	1.00	SFD	D	1.00	1.00	\$0.00	\$0.00	Pascua Ricardo&Jesiefin
267 290 37 00	1.00	SFD	D	1.00	1.00	\$0.00	\$0.00	Dobek Zachary R&Maria R
267 290 38 00	1.00	SFD	D	1.00	1.00	\$0.00	\$0.00	Christian Trust 08-14-17
267 290 39 00	1.00	SFD	D	1.00	1.00	\$0.00	\$0.00	Rice James&Christine
267 290 40 00	1.00	SFD	D	1.00	1.00	\$0.00	\$0.00	Knight Bryan M&Laura E
267 290 41 00	1.00	SFD	D	1.00	1.00	\$0.00	\$0.00	Hickman Lisa
267 290 42 00	1.00	SFD	D	1.00	1.00	\$0.00	\$0.00	Chittari Prasanna K&Mahendravarma Lalitha
267 290 43 00	1.00	SFD	D	1.00	1.00	\$0.00	\$0.00	Jackman Keith&Annie
267 290 44 00	1.00	SFD	D	1.00	1.00	\$0.00	\$0.00	Fockaert Robert&Layla
267 290 45 00	1.00	SFD	D	1.00	1.00	\$0.00	\$0.00	Zhang Yuzhen
267 290 46 00	1.00	SFD	D	1.00	1.00	\$0.00	\$0.00	Gubeskys Arthur&Sandra
267 290 47 00	1.00	SFD	D	1.00	1.00	\$0.00	\$0.00	Maliyappanahalli Shiva K&Mahajan Harshada
267 290 48 00	1.00	SFD	D	1.00	1.00	\$0.00	\$0.00	Ioannou Nikolaos&Lara D
267 290 49 00	1.00	SFD	D	1.00	1.00	\$0.00	\$0.00	Leychkis David&Olga
267 290 50 00	1.00	SFD	D	1.00	1.00	\$0.00	\$0.00	Cabezuela Family Trust 07-03-12
267 290 51 00	1.00	SFD	D	1.00	1.00	\$0.00	\$0.00	Le Phong The&Vuong Ashley My
267 290 52 00	1.00	SFD	D	1.00	1.00	\$0.00	\$0.00	Boyce Mark&Kiran P
267 290 53 00	0.02	OSP	D	0.00	0.00	\$0.00	\$0.00	Del Sur Community Assn
267 290 54 00	0.03	OSP	D	0.00	0.00	\$0.00	\$0.00	Del Sur Community Assn



**EXHIBIT C - Assessment Roll (Fiscal Year 2020)**  
**Black Mountain Ranch North Maintenance Assessment District**

Parcel Number	Acres/ Units <sup>(1)</sup>	Land Use Code <sup>(2)</sup>	Zone	Land Use Factor <sup>(2)</sup>	Total EBUs	Unit Cost (\$/Ebu)	FY 2020 <sup>(3)</sup> Assessment	Owner Name
267 300 01 00	1.00	SFD	B	1.00	1.00	\$0.00	\$0.00	Spic Del Sur Llc
267 300 02 00	1.00	SFD	B	1.00	1.00	\$0.00	\$0.00	Spic Del Sur Llc
267 300 03 00	1.00	SFD	B	1.00	1.00	\$0.00	\$0.00	Spic Del Sur Llc
267 300 04 00	1.00	SFD	B	1.00	1.00	\$0.00	\$0.00	Spic Del Sur Llc
267 300 05 00	1.00	SFD	B	1.00	1.00	\$0.00	\$0.00	Spic Del Sur Llc
267 300 11 00	1.00	SFD	B	1.00	1.00	\$0.00	\$0.00	Spic Del Sur Llc
267 300 13 00	0.49	OSP	B	0.00	0.00	\$0.00	\$0.00	Black Mountain Ranch L L C
267 300 14 00	0.33	OSP	B	0.00	0.00	\$0.00	\$0.00	Black Mountain Ranch L L C
267 300 15 00	0.94	OSP	B	0.00	0.00	\$0.00	\$0.00	Black Mountain Ranch L L C
267 300 16 00	0.69	OSP	B	0.00	0.00	\$0.00	\$0.00	Black Mountain Ranch L L C
267 300 17 00	4.67	OSP	B	0.00	0.00	\$0.00	\$0.00	Black Mountain Ranch L L C
267 300 18 00	1.00	SFD	B	1.00	1.00	\$0.00	\$0.00	Spic Del Sur Llc
267 300 19 00	1.00	SFD	B	1.00	1.00	\$0.00	\$0.00	Spic Del Sur Llc
267 300 20 00	1.00	SFD	B	1.00	1.00	\$0.00	\$0.00	Spic Del Sur Llc
267 300 21 00	1.00	SFD	B	1.00	1.00	\$0.00	\$0.00	Spic Del Sur Llc
267 300 22 00	0.11	UND	B	0.00	0.00	\$0.00	\$0.00	Spic Del Sur Llc
267 300 23 00	1.00	SFD	B	1.00	1.00	\$0.00	\$0.00	Spic Del Sur Llc
267 300 24 00	1.00	SFD	B	1.00	1.00	\$0.00	\$0.00	Spic Del Sur Llc
267 310 01 00	1.00	SFD	A	1.00	1.00	\$0.00	\$0.00	Sheffres Robert A&Karen M
267 310 02 00	1.00	SFD	A	1.00	1.00	\$0.00	\$0.00	Meservy London D&Heather L C
267 310 03 00	1.00	SFD	A	1.00	1.00	\$0.00	\$0.00	Weintraub Richard A&Miller Lisa A
267 310 04 00	1.00	SFD	A	1.00	1.00	\$0.00	\$0.00	Foster&Pugh Trust 10-04-17
267 310 05 00	1.00	SFD	A	1.00	1.00	\$0.00	\$0.00	Roche Timothy G&Lori M
267 310 06 00	1.00	SFD	A	1.00	1.00	\$0.00	\$0.00	Siwabessy Randolph P&Mangindin Angelica P
267 310 07 00	1.00	SFD	A	1.00	1.00	\$0.00	\$0.00	Ghazi Hamid&Babakhani Fariba K
267 310 08 00	1.00	SFD	A	1.00	1.00	\$0.00	\$0.00	Maas Fredric J
267 310 09 00	1.00	SFD	A	1.00	1.00	\$0.00	\$0.00	Borgardt S&S Family Trust 08-22-07
267 310 10 00	1.00	SFD	A	1.00	1.00	\$0.00	\$0.00	Lindsey Family Trust 09-18-02
267 310 11 00	1.00	SFD	A	1.00	1.00	\$0.00	\$0.00	Patel Piyush&Sandhya Family Trust 12-17-16
267 310 12 00	1.00	SFD	A	1.00	1.00	\$0.00	\$0.00	Feidelberg-Codini Family Trust 04-15-03
267 310 13 00	1.00	SFD	A	1.00	1.00	\$0.00	\$0.00	Fujii Roger U Trust 03-12-07
267 310 14 00	1.00	SFD	A	1.00	1.00	\$0.00	\$0.00	Taylor Chad A&Elizabeth L
267 310 15 00	1.00	SFD	A	1.00	1.00	\$0.00	\$0.00	Lane Nathaniel I&Lynsey R
267 310 16 00	1.00	SFD	A	1.00	1.00	\$0.00	\$0.00	Lin Sue Jen Fu
267 310 17 00	1.00	SFD	A	1.00	1.00	\$0.00	\$0.00	Diggs Gregory S&Nichola M
267 310 18 00	1.00	SFD	A	1.00	1.00	\$0.00	\$0.00	Nabai Sarah Living Trust 05-29-03
267 310 19 00	1.00	SFD	A	1.00	1.00	\$0.00	\$0.00	Zupnik Jonathan&Kim
267 310 20 00	1.00	SFD	A	1.00	1.00	\$0.00	\$0.00	Espinosa Edmund&Brooke
267 310 21 00	4.85	OSP	A	0.00	0.00	\$0.00	\$0.00	Black Mountain Ranch L L C
267 310 22 00	0.53	OSP	A	0.00	0.00	\$0.00	\$0.00	Black Mountain Ranch L L C
267 310 23 00	1.14	STR	A	0.00	0.00	\$0.00	\$0.00	Avaron Community Assn
267 310 24 00	0.38	STR	A	0.00	0.00	\$0.00	\$0.00	Avaron Community Assn
267 310 25 00	0.87	STR	A	0.00	0.00	\$0.00	\$0.00	Black Mountain Ranch L L C
267 310 26 00	0.05	STR	A	0.00	0.00	\$0.00	\$0.00	Black Mountain Ranch L L C
267 311 01 00	1.00	SFD	A	1.00	1.00	\$0.00	\$0.00	Doustdar Family Trust 03-14-05
267 311 02 00	1.00	SFD	A	1.00	1.00	\$0.00	\$0.00	Hsu Tony&Jennifer L Revocable Trust 08-14-06
267 311 03 00	1.00	SFD	A	1.00	1.00	\$0.00	\$0.00	Weeks Chandler&Katrina
267 311 04 00	1.00	SFD	A	1.00	1.00	\$0.00	\$0.00	Spittler Family Trust 11-20-01
267 311 05 00	1.00	SFD	A	1.00	1.00	\$0.00	\$0.00	Bindra Sarvjeet S&Simrat K
267 311 06 00	1.00	SFD	A	1.00	1.00	\$0.00	\$0.00	Cramer Timothy J&Laura L
267 311 07 00	1.00	SFD	A	1.00	1.00	\$0.00	\$0.00	Vandenberg Brockton G&Amy
267 311 08 00	1.00	SFD	A	1.00	1.00	\$0.00	\$0.00	Vasbinder Joshua D&Courtney M
267 311 09 00	1.00	SFD	A	1.00	1.00	\$0.00	\$0.00	Katz Family Trust 07-24-01
267 311 10 00	1.00	SFD	A	1.00	1.00	\$0.00	\$0.00	Lohmann Family Trust 03-30-06
267 311 11 00	1.00	SFD	A	1.00	1.00	\$0.00	\$0.00	Link Matthew W&Tiffany S
267 311 12 00	1.00	SFD	A	1.00	1.00	\$0.00	\$0.00	Fisher Family Trust 03-01-06
267 311 13 00	1.00	SFD	A	1.00	1.00	\$0.00	\$0.00	Magbanua Robert&Jennifer G
267 311 14 00	1.00	SFD	A	1.00	1.00	\$0.00	\$0.00	Hollander Dean&Jennifer
267 311 15 00	1.00	SFD	A	1.00	1.00	\$0.00	\$0.00	Schroeder Ryan&Milena

**EXHIBIT C - Assessment Roll (Fiscal Year 2020)**  
**Black Mountain Ranch North Maintenance Assessment District**

Parcel Number	Acres/ Units <sup>(1)</sup>	Land Use Code <sup>(2)</sup>	Zone	Land Use Factor <sup>(2)</sup>	Total EBUs	Unit Cost (\$/Ebu)	FY 2020 <sup>(3)</sup> Assessment	Owner Name
267 311 16 00	1.00	SFD	A	1.00	1.00	\$0.00	\$0.00	Harris Timothy J&Altevers Aimee S Trust 06-22-05
267 311 17 00	1.00	SFD	A	1.00	1.00	\$0.00	\$0.00	Jarrett Family Trust 02-11-15
267 311 18 00	1.00	SFD	A	1.00	1.00	\$0.00	\$0.00	Johnston Niall F&Farnham Jennifer L
267 311 19 00	1.00	SFD	A	1.00	1.00	\$0.00	\$0.00	Stample John&Jessica
267 311 20 00	1.00	SFD	A	1.00	1.00	\$0.00	\$0.00	Youngren Ronald G&Regina M Joint Living Trust 01-19-05
267 311 21 00	1.00	SFD	A	1.00	1.00	\$0.00	\$0.00	Isariyawongse Brandon&Eng Katherine
267 311 22 00	1.00	SFD	A	1.00	1.00	\$0.00	\$0.00	Lam Tuan Hai
267 311 23 00	1.00	SFD	A	1.00	1.00	\$0.00	\$0.00	Cummins Bharne Family Trust 04-11-15
267 311 24 00	1.00	SFD	A	1.00	1.00	\$0.00	\$0.00	Isaacson Blake Revocable Living Trust 11-01-97
267 311 25 00	1.00	SFD	A	1.00	1.00	\$0.00	\$0.00	Samuel Living Trust 06-08-13
267 311 26 00	0.33	OSP	A	0.00	0.00	\$0.00	\$0.00	Avaron Community Association
267 311 27 00	0.83	STR	A	0.00	0.00	\$0.00	\$0.00	Avaron Community Association
267 311 28 00	0.70	STR	A	0.00	0.00	\$0.00	\$0.00	Avaron Community Assn
267 311 29 00	2.42	STR	A	0.00	0.00	\$0.00	\$0.00	Black Mountain Ranch L L C
267 312 01 00	1.00	SFD	A	1.00	1.00	\$0.00	\$0.00	Happy To Be Family Trust 05-21-11
267 312 02 00	1.00	SFD	A	1.00	1.00	\$0.00	\$0.00	Yasotorn Amy S
267 312 03 00	1.00	SFD	A	1.00	1.00	\$0.00	\$0.00	Ratray Jason&Kristina M
267 312 04 00	1.00	SFD	A	1.00	1.00	\$0.00	\$0.00	Howell James M&Pamela B
267 312 05 00	1.00	SFD	A	1.00	1.00	\$0.00	\$0.00	Labarbera N C D Irrevocable 2010 Trust 11-10-10
267 312 06 00	1.00	SFD	A	1.00	1.00	\$0.00	\$0.00	Guerra Family Trust 12-17-13
267 312 07 00	1.00	SFD	A	1.00	1.00	\$0.00	\$0.00	Eisenberg Steven G&Julie S
267 312 08 00	1.00	SFD	A	1.00	1.00	\$0.00	\$0.00	Ghai G&M 2016 Trust 11-30-16
267 312 09 00	1.00	SFD	A	1.00	1.00	\$0.00	\$0.00	Leone Living Trust 12-31-96
267 312 10 00	1.00	SFD	A	1.00	1.00	\$0.00	\$0.00	T I P P Investments Llc
267 312 11 00	1.00	SFD	A	1.00	1.00	\$0.00	\$0.00	Gaeir Aaron&Kimberley
267 312 12 00	1.00	SFD	A	1.00	1.00	\$0.00	\$0.00	Hammonds Family Trust 07-23-14
267 312 13 00	1.00	SFD	A	1.00	1.00	\$0.00	\$0.00	Herrera Family Trust 11-02-09
267 312 14 00	1.00	SFD	A	1.00	1.00	\$0.00	\$0.00	Helm John&Mary Family Trust 01-25-10
267 312 15 00	0.18	OSP	A	0.00	0.00	\$0.00	\$0.00	Avaron Community Assn
267 312 16 00	0.79	STR	A	0.00	0.00	\$0.00	\$0.00	Avaron Community Assn
267 313 02 00	1.34	OSP	A	0.00	0.00	\$0.00	\$0.00	Black Mountain Ranch L L C
267 313 03 00	0.69	OSP	A	0.00	0.00	\$0.00	\$0.00	Black Mountain Ranch L L C
267 313 04 00	0.21	OSP	A	0.00	0.00	\$0.00	\$0.00	Olivenhain Municipal Water District
267 313 05 00	0.23	OSP	A	0.00	0.00	\$0.00	\$0.00	Olivenhain Municipal Water District
267 313 06 00	0.11	OSP	A	0.00	0.00	\$0.00	\$0.00	Olivenhain Municipal Water District
267 313 07 00	0.03	OSP	A	0.00	0.00	\$0.00	\$0.00	Olivenhain Municipal Water District
267 313 08 00	18.81	OSP	A	0.00	0.00	\$0.00	\$0.00	Black Mountain Ranch L L C
267 320 01 00	1.00	SFD	D	1.00	1.00	\$0.00	\$0.00	Wheeler David D&Wendy E
267 320 02 00	1.00	SFD	D	1.00	1.00	\$0.00	\$0.00	Rong Ruan Living Trust 12-19-11
267 320 03 00	1.00	SFD	D	1.00	1.00	\$0.00	\$0.00	Kinard Karen S
267 320 04 00	1.00	SFD	D	1.00	1.00	\$0.00	\$0.00	Vandenber Brockton G&Amy D
267 320 05 00	1.00	SFD	D	1.00	1.00	\$0.00	\$0.00	Perez Augustine&Melissa
267 320 06 00	1.00	SFD	D	1.00	1.00	\$0.00	\$0.00	Mcallister Michael A
267 320 07 00	1.00	SFD	D	1.00	1.00	\$0.00	\$0.00	Schramm Family Trust 12-05-14
267 320 08 00	1.00	SFD	D	1.00	1.00	\$0.00	\$0.00	Pederson Erik&Mashburn-Pederson Adria L
267 320 09 00	1.00	SFD	D	1.00	1.00	\$0.00	\$0.00	Wightlin Matthew&Corinne
267 320 10 01	1.00	SFD	D	1.00	1.00	\$0.00	\$0.00	Thota Kiran K&Velagaleti Swetha
267 320 10 02	1.00	SFD	D	1.00	1.00	\$0.00	\$0.00	Bismark Ronald R&Deanna L
267 320 11 01	1.00	SFD	D	1.00	1.00	\$0.00	\$0.00	Shekhar Shalin H&Bhat Rinku
267 320 11 02	1.00	SFD	D	1.00	1.00	\$0.00	\$0.00	Mckenna John R&Karissa L
267 320 12 01	1.00	SFD	D	1.00	1.00	\$0.00	\$0.00	Gundawar Manoj&Pallavi
267 320 12 02	1.00	SFD	D	1.00	1.00	\$0.00	\$0.00	Giustiniano Cheryl
267 320 13 01	1.00	SFD	D	1.00	1.00	\$0.00	\$0.00	Tarplee Todd&Allison
267 320 13 02	1.00	SFD	D	1.00	1.00	\$0.00	\$0.00	Tarplee Family Trust 06-01-00
267 320 14 01	1.00	SFD	D	1.00	1.00	\$0.00	\$0.00	Clement Pamela F Trust 06-09-89
267 320 14 02	1.00	SFD	D	1.00	1.00	\$0.00	\$0.00	Abramson Joseph G&Laure-Abramson Dinna A
267 320 15 01	1.00	SFD	D	1.00	1.00	\$0.00	\$0.00	Hundley John M&Lisa M
267 320 15 02	1.00	SFD	D	1.00	1.00	\$0.00	\$0.00	Quashnock Joseph
267 320 16 00	0.28	STR	D	0.00	0.00	\$0.00	\$0.00	Del Sur Community Assn

**EXHIBIT C - Assessment Roll (Fiscal Year 2020)**  
**Black Mountain Ranch North Maintenance Assessment District**

Parcel Number	Acres/ Units <sup>(1)</sup>	Land Use Code <sup>(2)</sup>	Zone	Land Use Factor <sup>(2)</sup>	Total EBUs	Unit Cost (\$/Ebu)	FY 2020 <sup>(3)</sup> Assessment	Owner Name
267 321 07 00	1.00	SFD	D	1.00	1.00	\$0.00	\$0.00	Israwi Family Trust 08-11-16
267 321 08 00	1.00	SFD	D	1.00	1.00	\$0.00	\$0.00	Kulkarni Rajeev&Nadager Deepa
267 321 09 00	1.00	SFD	D	1.00	1.00	\$0.00	\$0.00	Reinhart Trust 11-06-12
267 321 10 00	1.00	SFD	D	1.00	1.00	\$0.00	\$0.00	Barrow Family Living Trust 07-14-16
267 321 11 00	1.00	SFD	D	1.00	1.00	\$0.00	\$0.00	Weil Karen Revocable Trust 06-19-14
267 321 12 00	1.00	SFD	D	1.00	1.00	\$0.00	\$0.00	Hamui K T Family Trust 05-20-13
267 321 13 00	1.00	SFD	D	1.00	1.00	\$0.00	\$0.00	Caulum Family Living Trust 03-28-03
267 321 14 00	1.00	SFD	D	1.00	1.00	\$0.00	\$0.00	Leyerle Christopher J&Kimberly M
267 321 15 00	0.24	STR	D	0.00	0.00	\$0.00	\$0.00	Calatlantic Group Inc
267 321 16 01	1.00	SFD	D	1.00	1.00	\$0.00	\$0.00	Yu Hokyoun&Kwon Na Yeong
267 321 16 02	1.00	SFD	D	1.00	1.00	\$0.00	\$0.00	Petersen Family Trust 10-07-16
267 321 16 03	1.00	SFD	D	1.00	1.00	\$0.00	\$0.00	Kallay Stephanie
267 321 16 04	1.00	SFD	D	1.00	1.00	\$0.00	\$0.00	Moselhy Haytham&Brisin Wissem
267 321 16 05	1.00	SFD	D	1.00	1.00	\$0.00	\$0.00	Munoz Family Trust 03-25-92
267 321 16 06	1.00	SFD	D	1.00	1.00	\$0.00	\$0.00	Chiong John P
267 321 16 07	1.00	SFD	D	1.00	1.00	\$0.00	\$0.00	Kurtzman Melissa T
267 321 16 08	1.00	SFD	D	1.00	1.00	\$0.00	\$0.00	Obrien David J&Donna C C
267 321 16 09	1.00	SFD	D	1.00	1.00	\$0.00	\$0.00	Tanner Family Trust
267 321 16 10	1.00	SFD	D	1.00	1.00	\$0.00	\$0.00	Hastings Daniel&Kathleen
267 321 16 11	1.00	SFD	D	1.00	1.00	\$0.00	\$0.00	Hollaender Living Trust 08-22-16
267 321 16 12	1.00	SFD	D	1.00	1.00	\$0.00	\$0.00	Hudson David&Jessica
267 330 01 00	1.00	SFD	D	1.00	1.00	\$0.00	\$0.00	King David&Amber
267 330 02 00	1.00	SFD	D	1.00	1.00	\$0.00	\$0.00	Biebel Steven W
267 330 03 00	1.00	SFD	D	1.00	1.00	\$0.00	\$0.00	Hu Qi Dong&Zhou Zhi Hong
267 330 04 00	1.00	SFD	D	1.00	1.00	\$0.00	\$0.00	Nevares Nicholas&Kristen M S
267 330 05 00	1.00	SFD	D	1.00	1.00	\$0.00	\$0.00	Thomas Scarlett
267 330 06 00	1.00	SFD	D	1.00	1.00	\$0.00	\$0.00	Kwon Chang Ki&Sook Kyoung Shim
267 330 07 00	1.00	SFD	D	1.00	1.00	\$0.00	\$0.00	Schofield Bonny C
267 330 08 00	1.00	SFD	D	1.00	1.00	\$0.00	\$0.00	Heine Ryan&Ellis Emily J
267 330 09 00	1.00	SFD	D	1.00	1.00	\$0.00	\$0.00	Chang Michelle E
267 330 10 00	1.00	SFD	D	1.00	1.00	\$0.00	\$0.00	Hu Qiyue&Wang Wei
267 330 11 00	1.00	SFD	D	1.00	1.00	\$0.00	\$0.00	Farley Family Trust 01-27-14
267 330 12 00	1.00	SFD	D	1.00	1.00	\$0.00	\$0.00	Stockton Gabriel
267 330 13 00	1.00	SFD	D	1.00	1.00	\$0.00	\$0.00	Boda Vamsee Krishna Babu&Thummalapalli Padmavathi
267 330 14 00	1.00	SFD	D	1.00	1.00	\$0.00	\$0.00	Popek 2017 Family Trust 02-22-17
267 330 15 00	1.00	SFD	D	1.00	1.00	\$0.00	\$0.00	Campagna Family Trust 08-29-01
267 330 16 00	1.00	SFD	D	1.00	1.00	\$0.00	\$0.00	Perry Wilton A Jr&Georgina
267 330 17 00	1.00	SFD	D	1.00	1.00	\$0.00	\$0.00	Schaeffer Noel E&Denehy Allison D
267 330 18 00	1.00	SFD	D	1.00	1.00	\$0.00	\$0.00	Haughey Xuan Nguyen Living Trust 11-14-16
267 330 19 00	1.00	SFD	D	1.00	1.00	\$0.00	\$0.00	Thomas Vinay&Mathen Navitha
267 330 20 00	1.00	SFD	D	1.00	1.00	\$0.00	\$0.00	Schwartz Jonathan&Cadondon Natalie
267 330 21 00	1.00	SFD	D	1.00	1.00	\$0.00	\$0.00	Driscoll Revocable Decoration Trust 07-28-88
267 330 22 00	1.00	SFD	D	1.00	1.00	\$0.00	\$0.00	Reyes Edgar A&Karen Q
267 330 23 00	1.00	SFD	D	1.00	1.00	\$0.00	\$0.00	Colace Joseph J Iii Family 1998 Trust 04-22-98
267 330 24 00	1.00	SFD	D	1.00	1.00	\$0.00	\$0.00	Burns Mark J
267 330 25 00	1.00	SFD	D	1.00	1.00	\$0.00	\$0.00	Herrera Wilfredo G&Glenda
267 330 26 00	1.00	SFD	D	1.00	1.00	\$0.00	\$0.00	Mitchell Mary J
267 330 27 00	1.00	SFD	D	1.00	1.00	\$0.00	\$0.00	Campbell Kannika K
267 330 28 00	1.00	SFD	D	1.00	1.00	\$0.00	\$0.00	Deshatty Shashank&Deepa
267 330 29 00	1.00	SFD	D	1.00	1.00	\$0.00	\$0.00	Esperanza Brian&Vina P
267 330 30 00	1.00	SFD	D	1.00	1.00	\$0.00	\$0.00	Porr Peter P
267 330 31 00	1.00	SFD	D	1.00	1.00	\$0.00	\$0.00	Unni Hrishikesh C
267 330 32 00	1.00	SFD	D	1.00	1.00	\$0.00	\$0.00	Avery Frank G&Lisa A
267 330 33 00	1.00	SFD	D	1.00	1.00	\$0.00	\$0.00	Pham Ngoc T B
267 330 34 00	1.00	SFD	D	1.00	1.00	\$0.00	\$0.00	Cowell Jessica A
267 330 35 00	1.00	SFD	D	1.00	1.00	\$0.00	\$0.00	Timariu Petrea&Luiza
267 330 36 00	1.00	SFD	D	1.00	1.00	\$0.00	\$0.00	Gasser Family Trust 09-01-11
267 330 37 00	1.00	SFD	D	1.00	1.00	\$0.00	\$0.00	Sen Rajib K&Majumder Jayita
267 330 38 00	1.00	SFD	D	1.00	1.00	\$0.00	\$0.00	Venkatesh Ajay K&Rao Varsha V

## EXHIBIT C - Assessment Roll (Fiscal Year 2020)

### Black Mountain Ranch North Maintenance Assessment District

Parcel Number	Acres/ Units <sup>(1)</sup>	Land Use Code <sup>(2)</sup>	Zone	Land Use Factor <sup>(2)</sup>	Total EBUs	Unit Cost (\$/Ebu)	FY 2020 <sup>(3)</sup> Assessment	Owner Name
267 330 39 00	1.00	SFD	D	1.00	1.00	\$0.00	\$0.00	Yung William J Iv&Pamela M
267 330 40 00	1.00	SFD	D	1.00	1.00	\$0.00	\$0.00	Stephan Christlina A Revocable Trust 12-15-14
267 330 41 00	1.00	SFD	D	1.00	1.00	\$0.00	\$0.00	Riley Christopher J&Chunhua Liu
267 330 42 00	1.00	SFD	D	1.00	1.00	\$0.00	\$0.00	Ashley Sonia 2012 Trust 09-24-12
267 330 43 00	1.00	SFD	D	1.00	1.00	\$0.00	\$0.00	Parrish Ray&Allen Amanda
267 330 44 00	1.00	SFD	D	1.00	1.00	\$0.00	\$0.00	Doherty Robert F Jr&Melissa L
267 330 45 00	1.00	SFD	D	1.00	1.00	\$0.00	\$0.00	Block Family 2014 Trust 01-09-14
267 330 46 00	1.00	SFD	D	1.00	1.00	\$0.00	\$0.00	Stewart Todd W&Donna M Trust 06-04-96
267 330 47 00	1.00	SFD	D	1.00	1.00	\$0.00	\$0.00	Mantaker Family Trust
267 330 48 00	1.00	SFD	D	1.00	1.00	\$0.00	\$0.00	Sadhu Hari Krishna&Kodali Mallika
267 330 49 00	1.00	SFD	D	1.00	1.00	\$0.00	\$0.00	Robertson Eric J&Kimberly A
267 330 50 00	1.00	SFD	D	1.00	1.00	\$0.00	\$0.00	Bristol Ridge Llc
267 330 51 00	1.00	SFD	D	1.00	1.00	\$0.00	\$0.00	Paben Christopher Revocable Trust 06-15-15
267 330 52 00	1.00	SFD	D	1.00	1.00	\$0.00	\$0.00	Dwaral Swarup N&Gonchikara Likhita
267 330 53 00	1.00	SFD	D	1.00	1.00	\$0.00	\$0.00	Getchell Marcos A&Luciana F
267 330 54 00	1.00	SFD	D	1.00	1.00	\$0.00	\$0.00	Shah&Vora Family Trust 09-17-14
267 330 55 00	1.00	SFD	D	1.00	1.00	\$0.00	\$0.00	Fieldhack Jeffrey&Jennifer
267 330 56 00	1.00	SFD	D	1.00	1.00	\$0.00	\$0.00	Veino Elva L
267 330 57 00	1.00	SFD	D	1.00	1.00	\$0.00	\$0.00	Olson Chad (Dp)
267 330 58 00	1.00	SFD	D	1.00	1.00	\$0.00	\$0.00	Howe Thomas W&Rebecca C
267 330 59 00	1.00	SFD	D	1.00	1.00	\$0.00	\$0.00	Knowles Aaron&Melissa
267 330 60 00	1.00	SFD	D	1.00	1.00	\$0.00	\$0.00	Hanson Ashley J
267 330 61 00	1.00	SFD	D	1.00	1.00	\$0.00	\$0.00	Jacobs Gregory J&Tamera
267 330 62 00	1.00	SFD	D	1.00	1.00	\$0.00	\$0.00	Castro Trinity J
267 330 63 00	1.00	SFD	D	1.00	1.00	\$0.00	\$0.00	Loznycky Bill W Jr&Darlene E
267 330 64 00	1.00	SFD	D	1.00	1.00	\$0.00	\$0.00	Khanbolooki Parham
267 330 65 00	1.00	SFD	D	1.00	1.00	\$0.00	\$0.00	Bradley Matthew L&Sara A
267 330 66 00	1.00	SFD	D	1.00	1.00	\$0.00	\$0.00	Schwager Family Trust 03-31-10
267 330 67 00	1.00	SFD	D	1.00	1.00	\$0.00	\$0.00	Yuan Yijiang&Wu Huan
267 330 68 00	1.00	SFD	D	1.00	1.00	\$0.00	\$0.00	Shumate Aaron C&Satsuki K
267 330 69 00	1.00	SFD	D	1.00	1.00	\$0.00	\$0.00	Ahn Seungyoul&Sim Jae Sung
267 330 70 00	0.07	STR	D	0.00	0.00	\$0.00	\$0.00	Delsur Community Assn
267 330 71 00	0.08	STR	D	0.00	0.00	\$0.00	\$0.00	Del Sur Community Assn
267 330 72 00	0.08	STR	D	0.00	0.00	\$0.00	\$0.00	Del Sur Community Assn
267 330 73 00	0.08	STR	D	0.00	0.00	\$0.00	\$0.00	Del Sur Community Assn
267 330 74 00	0.35	STR	D	0.00	0.00	\$0.00	\$0.00	Delsur Community Assn
267 330 75 00	0.22	STR	D	0.00	0.00	\$0.00	\$0.00	Del Sur Community Assn
267 330 76 00	0.33	OSP	D	0.00	0.00	\$0.00	\$0.00	Del Sur Community Assn
267 330 77 00	2.37	OSP	D	0.00	0.00	\$0.00	\$0.00	Del Sur Community Assn
267 330 78 00	0.06	OSP	D	0.00	0.00	\$0.00	\$0.00	Delsur Community Assn
267 330 79 00	0.09	OSP	D	0.00	0.00	\$0.00	\$0.00	Del Sur Community Assn
267 330 80 00	0.20	STR	D	0.00	0.00	\$0.00	\$0.00	Delsur Community Assn
267 340 01 00	1.00	SFD	D	1.00	1.00	\$0.00	\$0.00	Bender Anna M Living Trust 08-05-98
267 340 02 00	1.00	SFD	D	1.00	1.00	\$0.00	\$0.00	Toman Jeremy P&Jeeyon J
267 340 03 00	1.00	SFD	D	1.00	1.00	\$0.00	\$0.00	Saxon Brandon D&Lisa M
267 340 04 00	1.00	SFD	D	1.00	1.00	\$0.00	\$0.00	Tamillo Justin K&Mandy D
267 340 05 00	1.00	SFD	D	1.00	1.00	\$0.00	\$0.00	Kim Kunil&Suhee
267 340 06 00	1.00	SFD	D	1.00	1.00	\$0.00	\$0.00	Butler Nicholas R&Elizabeth A
267 340 07 00	1.00	SFD	D	1.00	1.00	\$0.00	\$0.00	Dasgupta Rajarshi&Banerjee Antara
267 340 08 00	1.00	SFD	D	1.00	1.00	\$0.00	\$0.00	Mahdavih Haleh
267 340 09 00	1.00	SFD	D	1.00	1.00	\$0.00	\$0.00	Chen Peter&Shakya Sarita
267 340 10 00	1.00	SFD	D	1.00	1.00	\$0.00	\$0.00	Crutchfield Trust 04-08-14
267 340 11 00	1.00	SFD	D	1.00	1.00	\$0.00	\$0.00	Jones Hande
267 340 12 00	1.00	SFD	D	1.00	1.00	\$0.00	\$0.00	Lawson Diana
267 340 13 00	1.00	SFD	D	1.00	1.00	\$0.00	\$0.00	Gieselman Nathan&Simone Family Trust 04-15-16
267 340 14 00	1.00	SFD	D	1.00	1.00	\$0.00	\$0.00	Davidyoung Iii Family Trust
267 340 15 00	1.00	SFD	D	1.00	1.00	\$0.00	\$0.00	Jolly Gautam K&Ahuja Deepti
267 340 16 00	1.00	SFD	D	1.00	1.00	\$0.00	\$0.00	Felker Damon L&Lauren E
267 340 17 00	1.00	SFD	D	1.00	1.00	\$0.00	\$0.00	Yang Jian

**EXHIBIT C - Assessment Roll (Fiscal Year 2020)**  
**Black Mountain Ranch North Maintenance Assessment District**

Parcel Number	Acres/ Units <sup>(1)</sup>	Land Use Code <sup>(2)</sup>	Zone	Land Use Factor <sup>(2)</sup>	Total EBUs	Unit Cost (\$/Ebu)	FY 2020 <sup>(3)</sup> Assessment	Owner Name
267 340 18 00	1.00	SFD	D	1.00	1.00	\$0.00	\$0.00	Freer Trust 10-17-16
267 340 19 00	1.00	SFD	D	1.00	1.00	\$0.00	\$0.00	Holden Jason T&Jeanette W
267 340 20 00	1.00	SFD	D	1.00	1.00	\$0.00	\$0.00	Li Yong&Ge Xinjie
267 340 21 00	1.00	SFD	D	1.00	1.00	\$0.00	\$0.00	Lee Austin&Kara
267 340 22 00	1.00	SFD	D	1.00	1.00	\$0.00	\$0.00	Tu Thang&Jian Shuzhen
267 340 23 00	1.00	SFD	D	1.00	1.00	\$0.00	\$0.00	Piotrowiak Family Trust 06-05-14
267 340 24 00	1.00	SFD	D	1.00	1.00	\$0.00	\$0.00	Pavis Ian&Lisa M
267 340 25 00	1.00	SFD	D	1.00	1.00	\$0.00	\$0.00	Ryan Trust 05-21-15
267 340 26 00	1.00	SFD	D	1.00	1.00	\$0.00	\$0.00	Land Family Trust 09-11-13
267 340 27 00	1.00	SFD	D	1.00	1.00	\$0.00	\$0.00	Bharadwaj Gowrishankar&Gayatri
267 340 28 00	1.00	SFD	D	1.00	1.00	\$0.00	\$0.00	Hensley Curtis S&Erin R Living Trust 07-22-00
267 340 29 00	1.00	SFD	D	1.00	1.00	\$0.00	\$0.00	Santomauro Michael G&Montenegro Andrea L
267 340 30 00	1.00	SFD	D	1.00	1.00	\$0.00	\$0.00	Lopez Christopher R&Andrea M
267 340 31 00	1.00	SFD	D	1.00	1.00	\$0.00	\$0.00	Cho Jeffrey
267 340 32 00	1.00	SFD	D	1.00	1.00	\$0.00	\$0.00	Bochy Brett&Kelsey
267 340 33 00	1.00	SFD	D	1.00	1.00	\$0.00	\$0.00	Henderson Scott A&Shannon H Family Trust 10-26-11
267 340 34 00	1.00	SFD	D	1.00	1.00	\$0.00	\$0.00	Winters Aaron S&Susan
267 340 35 00	1.00	SFD	D	1.00	1.00	\$0.00	\$0.00	Fullenwider Mervin&Christine
267 340 36 00	1.00	SFD	D	1.00	1.00	\$0.00	\$0.00	Browne John M&Chassidy
267 340 37 00	1.00	SFD	D	1.00	1.00	\$0.00	\$0.00	Wrotslavsky Philip&Magda M
267 340 38 00	1.00	SFD	D	1.00	1.00	\$0.00	\$0.00	Djernes Ryan&Sarah
267 340 39 00	1.00	SFD	D	1.00	1.00	\$0.00	\$0.00	Dragnes Trust 11-09-07
267 340 40 00	1.00	SFD	D	1.00	1.00	\$0.00	\$0.00	Caoile Michael&Jeanne
267 340 41 00	1.00	SFD	D	1.00	1.00	\$0.00	\$0.00	Horn Brad&Stephani
267 340 42 00	1.00	SFD	D	1.00	1.00	\$0.00	\$0.00	Givens Christopher J
267 340 43 00	1.00	SFD	D	1.00	1.00	\$0.00	\$0.00	Sorensen Neil J&Karla K
267 340 44 00	1.00	SFD	D	1.00	1.00	\$0.00	\$0.00	Zubrod Timothy&Tina
267 340 45 00	1.00	SFD	D	1.00	1.00	\$0.00	\$0.00	J A G Montenero Management Llc
267 340 46 00	1.00	SFD	D	1.00	1.00	\$0.00	\$0.00	Lie Family Trust 03-19-08
267 340 47 00	1.00	SFD	D	1.00	1.00	\$0.00	\$0.00	Reel Family Trust 06-12-12
267 340 48 00	1.00	SFD	D	1.00	1.00	\$0.00	\$0.00	Cheshire Cary&Michelle Family Trust 01-22-10
267 340 49 00	1.00	SFD	D	1.00	1.00	\$0.00	\$0.00	Chan Family Trust 12-20-17
267 340 50 00	1.00	SFD	D	1.00	1.00	\$0.00	\$0.00	Keogh David M&Davis Mindy L
267 340 51 00	1.00	SFD	D	1.00	1.00	\$0.00	\$0.00	Seidenwurm Robert S&Kathryn C
267 340 52 00	1.00	SFD	D	1.00	1.00	\$0.00	\$0.00	Ochsner Todd A&Stephanie
267 340 53 00	1.00	SFD	D	1.00	1.00	\$0.00	\$0.00	Gonzalez Ralph P
267 340 54 00	1.00	SFD	D	1.00	1.00	\$0.00	\$0.00	Osborn Trust 03-01-16
267 340 55 00	1.00	SFD	D	1.00	1.00	\$0.00	\$0.00	Conrad Skyla Special Needs Trust 03-15-11
267 340 56 00	1.00	SFD	D	1.00	1.00	\$0.00	\$0.00	Bhatt Neha
267 340 57 00	1.00	SFD	D	1.00	1.00	\$0.00	\$0.00	Hupp Mary M Separate Property Trust 09-10-12
267 340 58 00	1.00	SFD	D	1.00	1.00	\$0.00	\$0.00	Vanganuru Kiran K S&Ambati Swathi
267 340 59 00	1.00	SFD	D	1.00	1.00	\$0.00	\$0.00	Furnari Elizabeth&Frank Living Trust 06-21-11
267 340 60 00	1.00	SFD	D	1.00	1.00	\$0.00	\$0.00	Eagan James W lii&Lisa W
267 340 61 00	1.00	SFD	D	1.00	1.00	\$0.00	\$0.00	Cayabyab Neil&Shah Reema
267 340 62 00	1.00	SFD	D	1.00	1.00	\$0.00	\$0.00	Lane Jeffrey&Kerri
267 340 63 00	1.00	SFD	D	1.00	1.00	\$0.00	\$0.00	Aman Brian T&Maria N
267 340 64 00	1.00	SFD	D	1.00	1.00	\$0.00	\$0.00	Syed Mohammed M&Nasim Saima
267 340 65 00	1.00	SFD	D	1.00	1.00	\$0.00	\$0.00	Sigmon Carter H&Jennifer K
267 340 66 00	1.00	SFD	D	1.00	1.00	\$0.00	\$0.00	Frye James P&Jane G
267 340 67 00	1.00	SFD	D	1.00	1.00	\$0.00	\$0.00	Park Sang-June&Bae Kang Yoon
267 340 68 00	1.00	SFD	D	1.00	1.00	\$0.00	\$0.00	Paiva Trust 01-26-17
267 340 69 00	1.00	SFD	D	1.00	1.00	\$0.00	\$0.00	16039 Bedford Hill Llc
267 340 70 00	1.00	SFD	D	1.00	1.00	\$0.00	\$0.00	Swanson Thomas J&Laura I
267 340 71 00	0.03	OSP	D	0.00	0.00	\$0.00	\$0.00	Del Sur Community Association
267 340 72 00	0.02	STR	D	0.00	0.00	\$0.00	\$0.00	Del Sur Community Association
267 341 01 00	1.00	SFD	D	1.00	1.00	\$0.00	\$0.00	Takenaga Marc M&Chang Michelle E
267 341 02 00	1.00	SFD	D	1.00	1.00	\$0.00	\$0.00	Kumar Jai G&Sugumar Banmathi K
267 341 03 00	1.00	SFD	D	1.00	1.00	\$0.00	\$0.00	Gray Richard A lii&Carly D
267 341 04 00	1.00	SFD	D	1.00	1.00	\$0.00	\$0.00	Abed Chung Family Trust 11-15-12

**EXHIBIT C - Assessment Roll (Fiscal Year 2020)**  
**Black Mountain Ranch North Maintenance Assessment District**

Parcel Number	Acres/ Units <sup>(1)</sup>	Land Use Code <sup>(2)</sup>	Zone	Land Use Factor <sup>(2)</sup>	Total EBU's	Unit Cost (\$/EBU)	FY 2020 <sup>(3)</sup> Assessment	Owner Name
267 341 05 00	1.00	SFD	D	1.00	1.00	\$0.00	\$0.00	Stamoulis Anastasios&Oikonomou Ioanna
267 341 06 00	1.00	SFD	D	1.00	1.00	\$0.00	\$0.00	Baker-Lafontaine Trust 09-12-05
267 341 07 00	1.00	SFD	D	1.00	1.00	\$0.00	\$0.00	Nguyen Khai Hoang&Huynh Hue
267 341 08 00	1.00	SFD	D	1.00	1.00	\$0.00	\$0.00	Rainier Rajiv&Niru P Family 2014 Trust
267 341 09 00	1.00	SFD	D	1.00	1.00	\$0.00	\$0.00	Brooker Jeffrey A&Engel Katrin
267 341 10 00	1.00	SFD	D	1.00	1.00	\$0.00	\$0.00	Maxwell David W&Charlton Sherri A
267 341 11 00	1.00	SFD	D	1.00	1.00	\$0.00	\$0.00	Zumut Yousef S&Ruba N
267 341 12 00	1.00	SFD	D	1.00	1.00	\$0.00	\$0.00	Turner Shane&Ann
267 341 13 00	1.00	SFD	D	1.00	1.00	\$0.00	\$0.00	Richardson Seth&Wotherspoon Paula
267 341 14 00	1.00	SFD	D	1.00	1.00	\$0.00	\$0.00	Visser Erik
267 341 15 00	1.00	SFD	D	1.00	1.00	\$0.00	\$0.00	Kelts Lucy D Inter Vivos Trust 11-13-108-96
267 341 16 00	1.00	SFD	D	1.00	1.00	\$0.00	\$0.00	Holmes Margaret A
267 341 17 00	1.00	SFD	D	1.00	1.00	\$0.00	\$0.00	Duong Peter P&Chang Cecile Chuan
267 341 18 00	1.00	SFD	D	1.00	1.00	\$0.00	\$0.00	Ciano Ronald A&Kathy A
267 341 19 00	1.00	SFD	D	1.00	1.00	\$0.00	\$0.00	Montana Sean L&Christin M
267 341 20 00	1.00	SFD	D	1.00	1.00	\$0.00	\$0.00	Sienkiewicz Alex M&Laura L
267 341 21 00	1.00	SFD	D	1.00	1.00	\$0.00	\$0.00	Katzenmeier Adam
267 341 22 00	1.00	SFD	D	1.00	1.00	\$0.00	\$0.00	Mikoultch Ivan&Lioudmila
267 341 23 00	0.25	STR	D	0.00	0.00	\$0.00	\$0.00	Del Sur Community Assn
267 341 24 00	1.68	PKU	D	0.50	0.84	\$0.00	\$0.00	Black Mountain Ranch L L C
267 350 01 00	1.00	SFD	E	1.00	1.00	\$0.00	\$0.00	Poirier William A Jr&Ireland Jacqueline C
267 350 02 00	1.00	SFD	E	1.00	1.00	\$0.00	\$0.00	Cohan Family Trust 12-15-15
267 350 03 00	1.00	SFD	E	1.00	1.00	\$0.00	\$0.00	Jenkinson Family Trust 05-06-09
267 350 04 00	1.00	SFD	E	1.00	1.00	\$0.00	\$0.00	Sami Bijan&Adib Mahsa
267 350 05 00	1.00	SFD	E	1.00	1.00	\$0.00	\$0.00	Kurani Nimish&Anupa
267 350 06 00	1.00	SFD	E	1.00	1.00	\$0.00	\$0.00	Chang Sung S&Han Woojeong
267 350 07 00	1.00	SFD	E	1.00	1.00	\$0.00	\$0.00	Park Jae Yong&Lee Ji Young
267 350 08 00	1.00	SFD	E	1.00	1.00	\$0.00	\$0.00	Wolfson Matthew S&Heather G
267 350 09 00	1.00	SFD	E	1.00	1.00	\$0.00	\$0.00	Kenney Brett W&Kristina
267 350 10 00	1.00	SFD	E	1.00	1.00	\$0.00	\$0.00	Neely Mitchell R&Laura T
267 350 11 00	1.00	SFD	E	1.00	1.00	\$0.00	\$0.00	Dharwad Harsh&Singhal Monica
267 350 12 00	1.00	SFD	E	1.00	1.00	\$0.00	\$0.00	Smerican Family Trust 09-21-12
267 350 13 00	1.00	SFD	E	1.00	1.00	\$0.00	\$0.00	Baccanari Patrick A&Melinda M
267 350 14 00	1.00	SFD	E	1.00	1.00	\$0.00	\$0.00	Caldwell Erik&Andrea
267 350 15 00	1.00	SFD	E	1.00	1.00	\$0.00	\$0.00	Gao Hongfeng&Kong Lingjun
267 350 16 00	1.00	SFD	E	1.00	1.00	\$0.00	\$0.00	Weiss Joshua
267 350 17 00	1.00	SFD	E	1.00	1.00	\$0.00	\$0.00	Budd Margaret M Living Trust 04-22-92
267 350 18 00	1.00	SFD	E	1.00	1.00	\$0.00	\$0.00	Panda Prasanjit&Sarita
267 350 29 01	1.00	SFD	D	1.00	1.00	\$0.00	\$0.00	Chin Keith
267 350 29 02	1.00	SFD	D	1.00	1.00	\$0.00	\$0.00	Gurumoorthy Krishna K&Ramachandran Srimathi
267 350 30 01	1.00	SFD	D	1.00	1.00	\$0.00	\$0.00	Rosenberg Brian M&Coleman Tara D Revocable Trust 07-
267 350 30 02	1.00	SFD	D	1.00	1.00	\$0.00	\$0.00	Maupin Jason D&Lori D
267 350 31 01	1.00	SFD	D	1.00	1.00	\$0.00	\$0.00	Rubio Jose A&Patricia J
267 350 31 02	1.00	SFD	D	1.00	1.00	\$0.00	\$0.00	Wilkerson Diane K
267 350 32 01	1.00	SFD	D	1.00	1.00	\$0.00	\$0.00	Smith Michael D&Kari J
267 350 32 02	1.00	SFD	D	1.00	1.00	\$0.00	\$0.00	Sharma Shiram&Chauhan Parul
267 350 33 01	1.00	SFD	D	1.00	1.00	\$0.00	\$0.00	Abulafia Lewis H Trust 01-30-14
267 350 33 02	1.00	SFD	D	1.00	1.00	\$0.00	\$0.00	Sharma Prashant&Pandey Pashie
267 350 34 01	1.00	SFD	D	1.00	1.00	\$0.00	\$0.00	Kowal Gregory M&Shannon L
267 350 34 02	1.00	SFD	D	1.00	1.00	\$0.00	\$0.00	Deng Jian Quan&Li Shu Fen
267 350 35 01	1.00	SFD	D	1.00	1.00	\$0.00	\$0.00	Obodovski Daniel&Rowley Danielle
267 350 35 02	1.00	SFD	D	1.00	1.00	\$0.00	\$0.00	Sonara Nilesh&Madhumit A
267 350 36 01	1.00	SFD	D	1.00	1.00	\$0.00	\$0.00	Wang John Y&Alice T
267 350 36 02	1.00	SFD	D	1.00	1.00	\$0.00	\$0.00	Hanley William J Iv&Beatriz A
267 350 37 01	1.00	SFD	D	1.00	1.00	\$0.00	\$0.00	Khatri Himanshu&Seth Parul
267 350 37 02	1.00	SFD	D	1.00	1.00	\$0.00	\$0.00	Liao Kai Hsin&Hsu Wan Chen
267 350 38 01	1.00	SFD	D	1.00	1.00	\$0.00	\$0.00	Nussbaum Joshua
267 350 38 02	1.00	SFD	D	1.00	1.00	\$0.00	\$0.00	Teeter Family Trust 07-27-12
267 350 39 00	1.00	SFD	D	1.00	1.00	\$0.00	\$0.00	Doraisamy Loganathan&Gadde Padmaja



**EXHIBIT C - Assessment Roll (Fiscal Year 2020)**  
**Black Mountain Ranch North Maintenance Assessment District**

Parcel Number	Acres/ Units <sup>(1)</sup>	Land Use Code <sup>(2)</sup>	Zone	Land Use Factor <sup>(2)</sup>	Total EBU's	Unit Cost (\$/EBU)	FY 2020 <sup>(3)</sup> Assessment	Owner Name
267 350 40 00	1.00	SFD	D	1.00	1.00	\$0.00	\$0.00	Yang Jee Hong&Cho Jihun
267 350 41 00	1.00	SFD	D	1.00	1.00	\$0.00	\$0.00	Kelley Daniel C&Kelly O
267 350 42 00	1.00	SFD	D	1.00	1.00	\$0.00	\$0.00	Ganji Nagamalleswara R&Shashirekha Y
267 350 43 00	1.00	SFD	D	1.00	1.00	\$0.00	\$0.00	Davis Steven J&Oksana B Family Trust 03-20-09
267 350 44 00	1.00	SFD	D	1.00	1.00	\$0.00	\$0.00	Zhu Gary Zihua&Lin Pei-Hsin
267 350 45 00	1.00	SFD	D	1.00	1.00	\$0.00	\$0.00	Judelson David B&Inna
267 350 46 00	1.00	SFD	D	1.00	1.00	\$0.00	\$0.00	Mak David&Rowena
267 350 47 00	1.00	SFD	D	1.00	1.00	\$0.00	\$0.00	Zunic Valentin&Jasmine
267 350 48 00	1.00	SFD	D	1.00	1.00	\$0.00	\$0.00	Rigg Daynan Separate Property Trust 03-23-12
267 350 49 00	1.00	SFD	D	1.00	1.00	\$0.00	\$0.00	Vulupala Vinod&Chelimita Haritha
267 350 50 00	1.00	SFD	D	1.00	1.00	\$0.00	\$0.00	Thijssen Emanuel P J
267 350 51 01	1.00	SFD	D	1.00	1.00	\$0.00	\$0.00	Smith Thomas Gerard&Loura Diana
267 350 51 02	1.00	SFD	D	1.00	1.00	\$0.00	\$0.00	Askari Kamran
267 350 52 00	1.00	SFD	D	1.00	1.00	\$0.00	\$0.00	Lock David&Theresa Living Trust 01-21-02
267 350 53 00	1.00	SFD	D	1.00	1.00	\$0.00	\$0.00	J A Family Trust 01-17-17
267 350 54 00	1.00	SFD	D	1.00	1.00	\$0.00	\$0.00	Ye Ming&Li Wenlin
267 350 55 00	1.00	SFD	D	1.00	1.00	\$0.00	\$0.00	Jackson Daryl&Breanna
267 350 56 00	1.00	SFD	D	1.00	1.00	\$0.00	\$0.00	Huang Teng Family Trust 03-31-17
267 350 57 00	1.00	SFD	D	1.00	1.00	\$0.00	\$0.00	Ansari Assad&Kausar Naheed
267 350 58 00	0.21	STR	D	0.00	0.00	\$0.00	\$0.00	Del Sur Community Association
267 350 59 00	0.31	STR	D	0.00	0.00	\$0.00	\$0.00	Del Sur Community Assn
267 350 60 00	0.35	STR	E	0.00	0.00	\$0.00	\$0.00	Del Sur Community Assn
267 350 61 00	0.21	STR	E	0.00	0.00	\$0.00	\$0.00	Delsur Community Assn
267 350 62 00	0.05	STR	D	0.00	0.00	\$0.00	\$0.00	Del Sur Community Assn
267 350 63 00	1.00	SFD	E	1.00	1.00	\$0.00	\$0.00	Trieu Nguyen&Nguyen Xuan
267 350 64 00	1.00	SFD	E	1.00	1.00	\$0.00	\$0.00	Sastrula Venkata R K&Brahmanapally Jyothsna
267 350 65 00	1.00	SFD	E	1.00	1.00	\$0.00	\$0.00	Oltikar Akhil&Bhatia Anisha
267 350 66 00	1.00	SFD	E	1.00	1.00	\$0.00	\$0.00	Kwon Oh Hyung&Shin Hee Sun
267 350 67 00	1.00	SFD	E	1.00	1.00	\$0.00	\$0.00	Crabbe Kevin L&Elke W
267 350 68 00	1.00	SFD	E	1.00	1.00	\$0.00	\$0.00	Bovshow Family Trust 05-03-13
267 350 69 00	1.00	SFD	E	1.00	1.00	\$0.00	\$0.00	Song Danny&Kristine
267 350 70 00	1.00	SFD	E	1.00	1.00	\$0.00	\$0.00	Abboud Family Trust 07-03-17
267 350 71 00	1.00	SFD	E	1.00	1.00	\$0.00	\$0.00	Dominguez Gerardo&Casey Family Trust 02-20-15
267 350 72 00	1.00	SFD	E	1.00	1.00	\$0.00	\$0.00	Brittain Family Trust 07-29-08
267 350 73 00	1.00	SFD	E	1.00	1.00	\$0.00	\$0.00	Akula Krishna
267 350 74 00	1.00	SFD	E	1.00	1.00	\$0.00	\$0.00	Rogers Jeffrey&Heather
267 350 75 00	1.00	SFD	E	1.00	1.00	\$0.00	\$0.00	Catubig Rainier C&Amelia S
267 350 76 00	1.00	SFD	E	1.00	1.00	\$0.00	\$0.00	Alaparthi Srikanth&Vaddineni Abhishikta
267 350 77 00	1.00	SFD	E	1.00	1.00	\$0.00	\$0.00	Ward Brian&Michelle
267 350 78 00	1.00	SFD	E	1.00	1.00	\$0.00	\$0.00	Chandrasekaran Shiva R&Radhakrishnan Ramya
267 350 79 00	1.00	SFD	E	1.00	1.00	\$0.00	\$0.00	Hameed Hafiz I&Saeed Asma
267 350 80 00	1.00	SFD	E	1.00	1.00	\$0.00	\$0.00	Topolovac Robert F&Eleanore R Trust 02-25-92
267 350 81 00	1.00	SFD	E	1.00	1.00	\$0.00	\$0.00	Tongle Anand&Apoorva
267 350 82 00	1.00	SFD	E	1.00	1.00	\$0.00	\$0.00	Ramirez Alfredo&Courtney
267 360 01 00	1.00	SFD	E	1.00	1.00	\$0.00	\$0.00	Lindestaf Trust 05-02-11
267 360 02 00	1.00	SFD	E	1.00	1.00	\$0.00	\$0.00	Sadri Reza
267 360 03 00	1.00	SFD	E	1.00	1.00	\$0.00	\$0.00	Saeman Matthew D&Harrington Rebecca S
267 360 04 00	1.00	SFD	E	1.00	1.00	\$0.00	\$0.00	Brumit Matthew R&Samantha M
267 360 05 00	1.00	SFD	E	1.00	1.00	\$0.00	\$0.00	Lasasso Cheryl
267 360 06 00	1.00	SFD	E	1.00	1.00	\$0.00	\$0.00	Yu Sang Cheol&Kang Sung Hee
267 360 07 00	1.00	SFD	E	1.00	1.00	\$0.00	\$0.00	Rangasamy Saravanan M&Rajaram Prathibha M
267 360 08 00	1.00	SFD	E	1.00	1.00	\$0.00	\$0.00	Lewis Family Trust 10-27-98
267 360 09 00	1.00	SFD	E	1.00	1.00	\$0.00	\$0.00	Koenig Steven F&Dana
267 360 10 00	1.00	SFD	E	1.00	1.00	\$0.00	\$0.00	Gonzales Rafael&Christmas V
267 360 11 00	1.00	SFD	E	1.00	1.00	\$0.00	\$0.00	Heaverlo Christopher J&Jennifer A
267 360 12 00	1.00	SFD	E	1.00	1.00	\$0.00	\$0.00	Sun Haitong
267 360 13 00	1.00	SFD	E	1.00	1.00	\$0.00	\$0.00	Ye Tao&Liu Yanzheng
267 360 14 00	1.00	SFD	E	1.00	1.00	\$0.00	\$0.00	Reyes Deo J Jr&Cyndi V
267 360 15 00	1.00	SFD	E	1.00	1.00	\$0.00	\$0.00	Kunnambath Sujeet&Nambiar Sreetha

**EXHIBIT C - Assessment Roll (Fiscal Year 2020)**  
**Black Mountain Ranch North Maintenance Assessment District**

Parcel Number	Acres/ Units <sup>(1)</sup>	Land Use Code <sup>(2)</sup>	Zone	Land Use Factor <sup>(2)</sup>	Total EBUs	Unit Cost (\$/Ebu)	FY 2020 <sup>(3)</sup> Assessment	Owner Name
267 360 16 00	1.00	SFD	E	1.00	1.00	\$0.00	\$0.00	Quijada Luis A&Contreras Maria M
267 360 17 00	1.00	SFD	E	1.00	1.00	\$0.00	\$0.00	Sztanko Eric N&Stacey M
267 360 18 00	1.00	SFD	E	1.00	1.00	\$0.00	\$0.00	Baganz Ryan&Stacey
267 360 19 00	1.00	SFD	E	1.00	1.00	\$0.00	\$0.00	Ma-Liu Revocable Trust 10-20-16
267 360 20 00	1.00	SFD	E	1.00	1.00	\$0.00	\$0.00	Askenazi Eyal
267 360 21 00	1.00	SFD	E	1.00	1.00	\$0.00	\$0.00	Luo Congnan&Li Ni
267 360 22 00	1.00	SFD	E	1.00	1.00	\$0.00	\$0.00	Van-Chin Community Property Trust 08-16-17
267 360 23 00	1.00	SFD	E	1.00	1.00	\$0.00	\$0.00	Boley Revocable Trust 07-07-10
267 360 24 00	1.00	SFD	E	1.00	1.00	\$0.00	\$0.00	Miller Ian J&Martin-Miller Erica G H
267 360 25 00	1.00	SFD	E	1.00	1.00	\$0.00	\$0.00	Arora Amarpal S&Aretz Danielle H
267 360 26 00	1.00	SFD	E	1.00	1.00	\$0.00	\$0.00	Hoong Nien Cong&Szeto Sheirman
267 360 27 00	1.00	SFD	E	1.00	1.00	\$0.00	\$0.00	Singiresu Suresh Babu&Damarla Rajani
267 360 28 00	1.00	SFD	E	1.00	1.00	\$0.00	\$0.00	Espino Steve&Sandra L
267 360 29 00	1.00	SFD	E	1.00	1.00	\$0.00	\$0.00	Nicol Maija C
267 360 30 00	1.00	SFD	E	1.00	1.00	\$0.00	\$0.00	Clements Adam&Theresa
267 360 31 00	1.00	SFD	E	1.00	1.00	\$0.00	\$0.00	Gildred Elizabeth A Trust 12-14-16
267 360 32 00	1.00	SFD	E	1.00	1.00	\$0.00	\$0.00	Hayes Ruth F Trust 03-28-96
267 360 33 00	1.00	SFD	E	1.00	1.00	\$0.00	\$0.00	Chin Hsiao-Yi&Lin Annie I Chun
267 360 34 00	1.00	SFD	E	1.00	1.00	\$0.00	\$0.00	Zhai Yufeng&Zhang Hong
267 360 35 00	1.00	SFD	E	1.00	1.00	\$0.00	\$0.00	Azizov Boris
267 360 36 00	1.00	SFD	E	1.00	1.00	\$0.00	\$0.00	Norman Family Living Trust 02-18-17
267 360 37 00	1.00	SFD	E	1.00	1.00	\$0.00	\$0.00	Nasci Alberto&Jennifer L
267 360 38 00	1.00	SFD	E	1.00	1.00	\$0.00	\$0.00	Mitchell Brianna T
267 360 39 00	1.00	SFD	E	1.00	1.00	\$0.00	\$0.00	Danney Brian&Lauren
267 360 40 00	1.00	SFD	E	1.00	1.00	\$0.00	\$0.00	Willis Daniel A&Lynn M
267 360 41 00	1.00	SFD	E	1.00	1.00	\$0.00	\$0.00	Pierson Donald A&Sharp-Pierson Andrea G
267 360 42 00	1.00	SFD	E	1.00	1.00	\$0.00	\$0.00	Halls Tricia G&Mathew D 2011 Revocable Living Trust 01-
267 360 43 00	1.00	SFD	E	1.00	1.00	\$0.00	\$0.00	Theberge Gaston&Barbara A
267 360 44 00	1.00	SFD	E	1.00	1.00	\$0.00	\$0.00	Shraeder Adam&Lauren Family Trust 10-16-14
267 360 45 00	1.00	SFD	E	1.00	1.00	\$0.00	\$0.00	Maraju Praveen&Aruri Jayavani
267 360 46 00	1.00	SFD	E	1.00	1.00	\$0.00	\$0.00	Vyas Deepak J&Rinku D
267 360 47 00	1.00	SFD	E	1.00	1.00	\$0.00	\$0.00	George Robert
267 360 48 00	1.00	SFD	E	1.00	1.00	\$0.00	\$0.00	Reiter Family Trust 04-10-02
267 360 49 00	1.00	SFD	E	1.00	1.00	\$0.00	\$0.00	Huang Diana Di
267 360 50 00	1.00	SFD	E	1.00	1.00	\$0.00	\$0.00	Wallace Family Trust 08-18-17
267 360 51 00	1.00	SFD	E	1.00	1.00	\$0.00	\$0.00	Arora Gautam&Neha
267 360 52 00	1.00	SFD	E	1.00	1.00	\$0.00	\$0.00	Truong Vien
267 360 53 00	1.00	SFD	E	1.00	1.00	\$0.00	\$0.00	Levy Family 2014 Trust 09-23-14
267 360 54 00	1.00	SFD	E	1.00	1.00	\$0.00	\$0.00	Iamele Sommer M&Damon A
267 360 55 00	1.00	SFD	E	1.00	1.00	\$0.00	\$0.00	Seksaria Arpit&Aparna
267 360 56 00	1.00	SFD	E	1.00	1.00	\$0.00	\$0.00	Vo Dang M&Katie L A B Living Trust 03-23-06
267 360 57 00	1.00	SFD	E	1.00	1.00	\$0.00	\$0.00	Dalton William&Kelly Trust 12-19-11
267 360 58 00	1.00	SFD	E	1.00	1.00	\$0.00	\$0.00	Caban Family Trust 11-17-14
267 360 59 00	1.00	SFD	E	1.00	1.00	\$0.00	\$0.00	Casto Hans&Ayumi
267 360 60 00	1.00	SFD	E	1.00	1.00	\$0.00	\$0.00	Hampton Family Trust
267 360 61 00	1.00	SFD	E	1.00	1.00	\$0.00	\$0.00	Ripley Robert Jr&Alison
267 360 62 00	1.00	SFD	E	1.00	1.00	\$0.00	\$0.00	S&S Family Trust 11-11-11
267 360 63 00	1.00	SFD	E	1.00	1.00	\$0.00	\$0.00	Barlow David&Debra
267 360 64 00	1.00	SFD	E	1.00	1.00	\$0.00	\$0.00	Cucinotta Elizabeth
267 360 65 00	1.00	SFD	E	1.00	1.00	\$0.00	\$0.00	Starr Horace J
267 360 66 00	1.00	SFD	E	1.00	1.00	\$0.00	\$0.00	Saad Mark E&Nyree H
267 360 67 00	1.00	SFD	E	1.00	1.00	\$0.00	\$0.00	Ruan Willie&Huang Helen Family Trust 02-11-09
267 360 68 00	1.00	SFD	E	1.00	1.00	\$0.00	\$0.00	Csuja Gilbert M&Monica
267 360 69 00	1.00	SFD	E	1.00	1.00	\$0.00	\$0.00	Bickler Stephen W&Clare K Family Trust 07-26-16
267 360 70 00	1.00	SFD	E	1.00	1.00	\$0.00	\$0.00	Matthews Stephen T&Kathryn V Family Revocable Interv
267 360 71 00	1.00	SFD	E	1.00	1.00	\$0.00	\$0.00	Hitchcock Family Trust 12-22-09
267 360 72 00	1.00	SFD	E	1.00	1.00	\$0.00	\$0.00	Rinderknecht William J&Stephanie
267 360 73 00	1.00	SFD	E	1.00	1.00	\$0.00	\$0.00	Libby Peter A&Constance D
267 360 74 00	1.72	STR	E	0.00	0.00	\$0.00	\$0.00	Black Mountain Ranch L L C

**EXHIBIT C - Assessment Roll (Fiscal Year 2020)**  
**Black Mountain Ranch North Maintenance Assessment District**

Parcel Number	Acres/ Units <sup>(1)</sup>	Land Use Code <sup>(2)</sup>	Zone	Land Use Factor <sup>(2)</sup>	Total EBUs	Unit Cost (\$/EBU)	FY 2020 <sup>(3)</sup> Assessment	Owner Name
267 360 75 00	0.32	STR	E	0.00	0.00	\$0.00	\$0.00	Del Sur Community Assn
267 360 76 00	0.32	STR	E	0.00	0.00	\$0.00	\$0.00	Del Sur Community Assn
267 360 77 00	1.48	PKU	E	0.50	0.74	\$0.00	\$0.00	Black Mountain Ranch L L C
267 360 78 00	0.01	OSP	E	0.00	0.00	\$0.00	\$0.00	Del Sur Community Assn
267 360 79 00	0.08	OSP	E	0.00	0.00	\$0.00	\$0.00	Del Sur Community Association
267 360 80 00	0.20	OSP	E	0.00	0.00	\$0.00	\$0.00	Del Sur Community Association
267 360 81 00	0.03	OSP	E	0.00	0.00	\$0.00	\$0.00	Del Sur Community Assn
267 360 82 00	0.03	OSP	E	0.00	0.00	\$0.00	\$0.00	Del Sur Community Assn
267 360 83 00	1.83	OSP	E	0.00	0.00	\$0.00	\$0.00	Del Sur Community Assn
267 360 84 00	1.91	PKU	E	0.50	0.96	\$0.00	\$0.00	Black Mountain Ranch L L C
267 361 01 00	1.00	SFD	E	1.00	1.00	\$0.00	\$0.00	Wilson William R&Michelle Q
267 361 02 00	1.00	SFD	E	1.00	1.00	\$0.00	\$0.00	Peerbolte Gregory J
267 361 03 00	1.00	SFD	E	1.00	1.00	\$0.00	\$0.00	Liu Yi&Li Xuan
267 361 04 00	1.00	SFD	E	1.00	1.00	\$0.00	\$0.00	Chao Edward C&Sarah K
267 361 05 00	1.00	SFD	E	1.00	1.00	\$0.00	\$0.00	Cook Thuy D
267 361 06 00	1.00	SFD	E	1.00	1.00	\$0.00	\$0.00	Bender Family Trust 08-15-03
267 361 07 00	1.00	SFD	E	1.00	1.00	\$0.00	\$0.00	Baini Family Trust 01-27-17
267 361 08 00	1.00	SFD	E	1.00	1.00	\$0.00	\$0.00	Richardson Eric J&Caroline M
267 361 09 00	1.00	SFD	E	1.00	1.00	\$0.00	\$0.00	Pacheco Yves&Gabriela
267 361 10 00	1.00	SFD	E	1.00	1.00	\$0.00	\$0.00	Butler Traci
267 361 11 00	1.00	SFD	E	1.00	1.00	\$0.00	\$0.00	Guy Kristen L
267 361 12 00	1.00	SFD	E	1.00	1.00	\$0.00	\$0.00	Milazzo Paul A Revocable Trust 11-04-15
267 361 13 00	1.00	SFD	E	1.00	1.00	\$0.00	\$0.00	Mulvihill Debra A Separate Property Trust
267 361 14 00	1.00	SFD	E	1.00	1.00	\$0.00	\$0.00	Vakil Ishfan&Buchh Shimayla
267 361 15 00	1.00	SFD	E	1.00	1.00	\$0.00	\$0.00	Walton Christopher&Shauna Trust 06-14-16
267 361 16 00	1.00	SFD	E	1.00	1.00	\$0.00	\$0.00	Hernandez Christopher&Ana
267 361 17 00	1.00	SFD	E	1.00	1.00	\$0.00	\$0.00	Stein Family Trust 06-24-07
267 361 18 00	1.00	SFD	E	1.00	1.00	\$0.00	\$0.00	Chan Harold H&Gaviola-Chan Tina M
267 361 19 00	1.00	SFD	E	1.00	1.00	\$0.00	\$0.00	Ku Julie Soyoung Trust 07-07-15
267 361 20 00	1.00	SFD	E	1.00	1.00	\$0.00	\$0.00	Youngflesh Family Trust 02-23-02
267 361 21 00	1.00	SFD	E	1.00	1.00	\$0.00	\$0.00	Zheng Xiping&Chen Xiaoping
267 361 22 00	1.00	SFD	E	1.00	1.00	\$0.00	\$0.00	Mohan Madav S M&Kumar Aparna
267 361 23 00	1.00	SFD	E	1.00	1.00	\$0.00	\$0.00	Gul Bahadir&Meltem S
267 361 24 00	1.00	SFD	E	1.00	1.00	\$0.00	\$0.00	Arp Ramezani Family Trust 04-25-14
267 361 25 00	1.00	SFD	E	1.00	1.00	\$0.00	\$0.00	Campbell Brian E&Kelly
267 361 26 00	1.00	SFD	E	1.00	1.00	\$0.00	\$0.00	Selaru Florea Trust 06-08-16
267 361 27 00	1.00	SFD	E	1.00	1.00	\$0.00	\$0.00	Sun Lin
267 361 28 00	1.00	SFD	E	1.00	1.00	\$0.00	\$0.00	Hayes Casey T&Kristi Revocable 2015 Trust 03-06-15
267 361 29 00	1.00	SFD	E	1.00	1.00	\$0.00	\$0.00	Bramble Mark A&Powell Julia A
267 361 30 00	1.00	SFD	E	1.00	1.00	\$0.00	\$0.00	Moss Timothy A&Kyle
267 361 31 00	1.00	SFD	E	1.00	1.00	\$0.00	\$0.00	Svetlik Robert S&Larmie M Living 2014 Trust 12-30-14
267 361 32 00	1.00	SFD	E	1.00	1.00	\$0.00	\$0.00	Angelly Kenneth A&Tracy S
267 361 33 00	1.00	SFD	E	1.00	1.00	\$0.00	\$0.00	Nasrallah Fady S&Saliba Rita
267 361 34 00	1.00	SFD	E	1.00	1.00	\$0.00	\$0.00	Mckittrick Todd A&Kimberly L
267 361 35 00	1.00	SFD	E	1.00	1.00	\$0.00	\$0.00	Hua Jun&Li Jun
267 361 36 00	1.00	SFD	E	1.00	1.00	\$0.00	\$0.00	Zhao Catherine Pu
267 361 37 00	1.00	SFD	E	1.00	1.00	\$0.00	\$0.00	Thotakura Sunil K&Baweja Preeti
267 361 38 00	1.00	SFD	E	1.00	1.00	\$0.00	\$0.00	Culmo&Anderson 2017 Trust
267 361 39 00	1.00	SFD	E	1.00	1.00	\$0.00	\$0.00	Manor Owen&Julie Famly 2015 Trust
267 361 40 00	1.00	SFD	E	1.00	1.00	\$0.00	\$0.00	Grimes Isa A&Lakshman Vishva G
267 361 41 00	1.00	SFD	E	1.00	1.00	\$0.00	\$0.00	Vaidyanathan Balaji&Aswath Dipti
267 361 42 00	1.00	SFD	E	1.00	1.00	\$0.00	\$0.00	Tomko Scott&Michelle
267 361 43 00	1.00	SFD	E	1.00	1.00	\$0.00	\$0.00	Tseng Yi-Hung&Chou Jaime
267 361 44 00	1.00	SFD	E	1.00	1.00	\$0.00	\$0.00	Sage Christopher M&Catherine C
267 361 45 00	1.00	SFD	E	1.00	1.00	\$0.00	\$0.00	Carlberg Jeffrey M&Michelle M
267 361 46 00	1.00	SFD	E	1.00	1.00	\$0.00	\$0.00	Jaiswal Rakesh K&Shikha
267 361 47 00	1.00	SFD	E	1.00	1.00	\$0.00	\$0.00	Le Richard N&Christina S
267 361 48 00	1.00	SFD	E	1.00	1.00	\$0.00	\$0.00	Ahuja Sandeep&Sonia
267 361 49 00	1.00	SFD	E	1.00	1.00	\$0.00	\$0.00	Loganathan Harinathan&Kannan Swapna

**EXHIBIT C - Assessment Roll (Fiscal Year 2020)**  
**Black Mountain Ranch North Maintenance Assessment District**

Parcel Number	Acres/ Units <sup>(1)</sup>	Land Use Code <sup>(2)</sup>	Zone	Land Use Factor <sup>(2)</sup>	Total EBU's	Unit Cost (\$/EBU)	FY 2020 <sup>(3)</sup> Assessment	Owner Name
267 361 50 00	1.00	SFD	E	1.00	1.00	\$0.00	\$0.00	Schraven Family Trust 01-10-13
267 361 51 00	1.00	SFD	E	1.00	1.00	\$0.00	\$0.00	Carneal David
267 361 52 00	1.00	SFD	E	1.00	1.00	\$0.00	\$0.00	Braness Revocable Trust 09-09-13
267 361 53 00	1.00	SFD	E	1.00	1.00	\$0.00	\$0.00	Waldrop Family Trust
267 361 54 00	1.00	SFD	E	1.00	1.00	\$0.00	\$0.00	Chen Ming Chun&Ren Zhi
267 361 55 00	1.00	SFD	E	1.00	1.00	\$0.00	\$0.00	Asgari Mohammad A&Fereshteh
267 361 56 00	1.00	SFD	E	1.00	1.00	\$0.00	\$0.00	Lau Kelvin Hok&King Ya-Ling
267 361 57 00	1.00	SFD	E	1.00	1.00	\$0.00	\$0.00	Estrada Lindsay R&Justina M
267 361 58 00	1.00	SFD	E	1.00	1.00	\$0.00	\$0.00	Trivedi Riddhish&Tejus Living Trust 01-05-16
267 361 59 00	1.00	SFD	E	1.00	1.00	\$0.00	\$0.00	Davuluri Gandhi&Chitturi Swathi
267 361 60 00	0.15	STR	E	0.00	0.00	\$0.00	\$0.00	Del Sur Community Assn
267 361 61 00	0.71	PKU	E	0.50	0.36	\$0.00	\$0.00	Black Mountain Ranch L L C
267 361 63 00	0.05	OSP	E	0.00	0.00	\$0.00	\$0.00	Del Sur Community Assn
267 361 64 00	0.15	OSP	E	0.00	0.00	\$0.00	\$0.00	Del Sur Community Assn
267 361 65 00	0.03	OSP	E	0.00	0.00	\$0.00	\$0.00	Del Sur Community Assn
267 361 66 00	0.20	OSP	E	0.00	0.00	\$0.00	\$0.00	Black Mountain Ranch L L C
267 361 67 00	0.37	OSP	E	0.00	0.00	\$0.00	\$0.00	Del Sur Community Assn
267 362 01 00	1.00	SFD	E	1.00	1.00	\$0.00	\$0.00	Kaechele Joshua J&Kelly H
267 362 02 00	1.00	SFD	E	1.00	1.00	\$0.00	\$0.00	Miller Kimberly J
267 362 03 00	1.00	SFD	E	1.00	1.00	\$0.00	\$0.00	Mccluer Family Living Trust 07-09-12
267 362 04 00	1.00	SFD	E	1.00	1.00	\$0.00	\$0.00	Millett Nicole K Separate Property Trust 10-17-12
267 362 05 00	1.00	SFD	E	1.00	1.00	\$0.00	\$0.00	Vo Khanh
267 362 06 00	1.00	SFD	E	1.00	1.00	\$0.00	\$0.00	Im Jim&Ellen
267 362 07 00	1.00	SFD	E	1.00	1.00	\$0.00	\$0.00	Haripotepornkul Cy&Nora H
267 362 08 00	1.00	SFD	E	1.00	1.00	\$0.00	\$0.00	Zhu Zhengbo
267 362 09 00	1.00	SFD	E	1.00	1.00	\$0.00	\$0.00	Oteri Oghenekome&Awoniye-Oteri Olufunmilola
267 362 10 00	1.00	SFD	E	1.00	1.00	\$0.00	\$0.00	Pei James&Ma Li-Chen
267 362 11 00	1.00	SFD	E	1.00	1.00	\$0.00	\$0.00	Miller Family 2015 Trust 02-04-15
267 362 12 00	1.00	SFD	E	1.00	1.00	\$0.00	\$0.00	Xing Hongtao&Fu Peilin
267 362 13 00	1.00	SFD	E	1.00	1.00	\$0.00	\$0.00	Humeau Laurent&Ni Yajin
267 362 14 00	1.00	SFD	E	1.00	1.00	\$0.00	\$0.00	Vo Dang Minh&Katie Lee A B Living Trust
267 362 15 00	1.00	SFD	E	1.00	1.00	\$0.00	\$0.00	Schaathun Espen&Cecilie
267 362 16 00	1.00	SFD	E	1.00	1.00	\$0.00	\$0.00	Lam Vincent S&Candace T
267 362 17 00	1.00	SFD	E	1.00	1.00	\$0.00	\$0.00	Wang Wendy Revocable Trust 05-12-09
267 362 18 00	1.00	SFD	E	1.00	1.00	\$0.00	\$0.00	Jundt Family Trust 07-21-15
267 362 19 00	1.00	SFD	E	1.00	1.00	\$0.00	\$0.00	Margo Michael&Susan Revocable Trust 06-20-16
267 362 20 00	1.00	SFD	E	1.00	1.00	\$0.00	\$0.00	Ridge Trust 08-28-13
267 362 21 00	1.00	SFD	E	1.00	1.00	\$0.00	\$0.00	Shalon Kevin&Samantha
267 362 22 00	1.00	SFD	E	1.00	1.00	\$0.00	\$0.00	Cho Jackie M
267 362 23 00	1.00	SFD	E	1.00	1.00	\$0.00	\$0.00	Lamont Lawrence W Jr&Erika L
267 362 24 00	1.00	SFD	E	1.00	1.00	\$0.00	\$0.00	Baranov Trust 05-14-13
267 362 25 00	1.00	SFD	E	1.00	1.00	\$0.00	\$0.00	Stella Maris Realty Management Partners Llc
267 362 26 00	1.00	SFD	E	1.00	1.00	\$0.00	\$0.00	Khandelwal Girish&Pharkya Priti
267 362 27 00	1.00	SFD	E	1.00	1.00	\$0.00	\$0.00	Huott Patrick A&Karen L
267 362 28 00	1.00	SFD	E	1.00	1.00	\$0.00	\$0.00	Dang Hai&Nguyen Thao
267 362 29 00	1.00	SFD	E	1.00	1.00	\$0.00	\$0.00	Zhou Minhua&Yu Yanqing
267 362 30 00	1.00	SFD	E	1.00	1.00	\$0.00	\$0.00	Sundar Family Trust 04-14-17
267 362 31 00	1.00	SFD	E	1.00	1.00	\$0.00	\$0.00	Gannon Joseph P&Morgan-Gannon Sally Living Trust 03-2
267 362 32 00	1.00	SFD	E	1.00	1.00	\$0.00	\$0.00	Pohle Jr Family Trust 11-18-04
267 362 33 00	1.00	SFD	E	1.00	1.00	\$0.00	\$0.00	Bancroft Natalie Trust 08-03-06
267 362 34 00	1.00	SFD	E	1.00	1.00	\$0.00	\$0.00	Williams Family Trust 05-02-13
267 362 35 00	1.00	SFD	E	1.00	1.00	\$0.00	\$0.00	S&A San Diego L L C
267 362 36 00	1.00	SFD	E	1.00	1.00	\$0.00	\$0.00	King Dustin T&Diana P
267 362 37 00	1.00	SFD	E	1.00	1.00	\$0.00	\$0.00	Welch Gary K&Rebecca D
267 362 38 00	1.00	SFD	E	1.00	1.00	\$0.00	\$0.00	Stevens Lori A Revocable Family 2016 Trust
267 362 39 00	1.00	SFD	E	1.00	1.00	\$0.00	\$0.00	Cowan Robert&Jenny
267 362 40 00	1.00	SFD	E	1.00	1.00	\$0.00	\$0.00	Swartzentruber Jon L&Trent Jane M
267 362 41 00	1.00	SFD	E	1.00	1.00	\$0.00	\$0.00	Broquard Dean J Revocable Trust 07-23-03
267 362 42 00	1.00	SFD	E	1.00	1.00	\$0.00	\$0.00	Deschamps Family Trust 01-09-12

## EXHIBIT C - Assessment Roll (Fiscal Year 2020)

### Black Mountain Ranch North Maintenance Assessment District

Parcel Number	Acres/ Units <sup>(1)</sup>	Land Use Code <sup>(2)</sup>	Zone	Land Use Factor <sup>(2)</sup>	Total EBUs	Unit Cost (\$/Ebu)	FY 2020 <sup>(3)</sup> Assessment	Owner Name
267 362 43 00	1.00	SFD	E	1.00	1.00	\$0.00	\$0.00	Mojaver Family Trust 09-26-00
267 362 44 00	1.00	SFD	E	1.00	1.00	\$0.00	\$0.00	Eichhoff-Bergmann Trust 04-04-11
267 362 45 00	1.00	SFD	E	1.00	1.00	\$0.00	\$0.00	Scott Clifton E&Melissa L
267 362 46 00	1.00	SFD	E	1.00	1.00	\$0.00	\$0.00	Murphy Family Trust 10-21-00
267 362 47 00	1.00	SFD	E	1.00	1.00	\$0.00	\$0.00	Ferraro John&Catherine A
267 362 48 00	1.00	SFD	E	1.00	1.00	\$0.00	\$0.00	Wilson Brian M&Sarah J
267 362 49 00	1.00	SFD	E	1.00	1.00	\$0.00	\$0.00	Mann James I&Rochelle C
267 362 50 00	1.00	SFD	E	1.00	1.00	\$0.00	\$0.00	Zhou Zhengyu&Zhu Min
267 362 51 00	1.00	SFD	E	1.00	1.00	\$0.00	\$0.00	Bonamour Gregory&Samantha
267 362 52 00	1.00	SFD	E	1.00	1.00	\$0.00	\$0.00	Swanson Timothy J&Sara J
267 362 53 00	1.00	SFD	E	1.00	1.00	\$0.00	\$0.00	Cerasuolo Anthony&Jacquelyn Trust 02-03-11
267 362 54 00	1.00	SFD	E	1.00	1.00	\$0.00	\$0.00	Westphal-Siblesz Family Trust 03-29-99
267 362 55 00	1.00	SFD	E	1.00	1.00	\$0.00	\$0.00	Hossain Asif&Hussain Naila
267 362 56 00	1.00	SFD	E	1.00	1.00	\$0.00	\$0.00	Assi Family Trust 02-16-17
267 362 57 00	0.08	STR	E	0.00	0.00	\$0.00	\$0.00	Del Sur Community Assn
267 362 58 00	1.52	STR	E	0.00	0.00	\$0.00	\$0.00	Del Sur Community Association
267 362 59 00	0.10	STR	E	0.00	0.00	\$0.00	\$0.00	Del Sur Community Assn
267 362 60 00	0.16	STR	E	0.00	0.00	\$0.00	\$0.00	Del Sur Community Assn
267 362 61 00	0.35	OSP	E	0.00	0.00	\$0.00	\$0.00	Black Mountain Ranch L L C
267 362 62 00	1.14	OSP	E	0.00	0.00	\$0.00	\$0.00	Del Sur Community Assn
267 362 63 00	0.05	OSP	E	0.00	0.00	\$0.00	\$0.00	Del Sur Community Assn
267 362 64 00	0.10	OSP	E	0.00	0.00	\$0.00	\$0.00	Del Sur Community Assn
267 362 65 00	0.35	STR	E	0.00	0.00	\$0.00	\$0.00	Del Sur Community Assn
267 363 01 00	1.00	SFD	E	1.00	1.00	\$0.00	\$0.00	Sidhwa Farhad&Fehiz
267 363 02 00	1.00	SFD	E	1.00	1.00	\$0.00	\$0.00	Hsu Family Trust 10-19-17
267 363 03 00	1.00	SFD	E	1.00	1.00	\$0.00	\$0.00	Lai Mitchell&Michelle
267 363 04 00	1.00	SFD	E	1.00	1.00	\$0.00	\$0.00	Tellers Clayton&Jennifer
267 363 05 00	1.00	SFD	E	1.00	1.00	\$0.00	\$0.00	Quinlan Thomas&Tyler
267 363 06 00	1.00	SFD	E	1.00	1.00	\$0.00	\$0.00	Parikh Parag&Melissa
267 363 07 00	1.00	SFD	E	1.00	1.00	\$0.00	\$0.00	Albert Francis&Amanda
267 363 08 00	1.00	SFD	E	1.00	1.00	\$0.00	\$0.00	Huntsman Family Trust 08-07-15
267 363 21 00	1.10	OSP	E	0.00	0.00	\$0.00	\$0.00	Black Mountain Ranch L L C
267 363 23 00	1.00	SFD	E	1.00	1.00	\$0.00	\$0.00	Ramjit Martin&Sirpa
267 363 24 00	1.00	SFD	E	1.00	1.00	\$0.00	\$0.00	Gounder Sivaraman K
267 363 25 00	1.00	SFD	E	1.00	1.00	\$0.00	\$0.00	Riegle Donald W&Hansen-Riegle Lori
267 363 26 00	1.00	SFD	E	1.00	1.00	\$0.00	\$0.00	Kollus Douglas E&Mary M Trust 06-14-00
267 363 27 00	1.00	SFD	E	1.00	1.00	\$0.00	\$0.00	Nesses Family Trust 12-01-16
267 363 28 00	1.00	SFD	E	1.00	1.00	\$0.00	\$0.00	Johns Glenn C&Sarah E
267 363 29 00	1.00	SFD	E	1.00	1.00	\$0.00	\$0.00	Dubov-Zamansky Trust 05-29-14
267 363 30 00	1.00	SFD	E	1.00	1.00	\$0.00	\$0.00	Godoski Family Trust 05-25-16
267 363 31 00	1.00	SFD	E	1.00	1.00	\$0.00	\$0.00	Harper Dan O&Kozlowski Cheryl A
267 363 32 00	1.00	SFD	E	1.00	1.00	\$0.00	\$0.00	Milliron John R&Christine N
267 363 33 00	0.23	OSP	E	0.00	0.00	\$0.00	\$0.00	Del Sur Community Association
267 363 34 00	2.54	OSP	E	0.00	0.00	\$0.00	\$0.00	Del Sur Community Association
267 363 35 00	0.15	STR	E	0.00	0.00	\$0.00	\$0.00	Del Sur Community Association
267 364 01 00	1.00	SFD	E	1.00	1.00	\$0.00	\$0.00	Pahler Ryan M&Kathy
267 364 08 00	1.00	SFD	E	1.00	1.00	\$0.00	\$0.00	Fields Bradford B
267 364 09 00	1.00	SFD	E	1.00	1.00	\$0.00	\$0.00	Jacobi Gregory&Elizabeth
267 364 16 00	1.00	SFD	E	1.00	1.00	\$0.00	\$0.00	Schramm Kevin&Stacey L Living Trust 04-18-12
267 364 17 00	1.00	SFD	E	1.00	1.00	\$0.00	\$0.00	Sanguinetti Carlos F&Shana D
267 364 18 00	1.00	SFD	E	1.00	1.00	\$0.00	\$0.00	Hayden Jeremiah C Living Trust 04-24-11
267 364 19 00	1.00	SFD	E	1.00	1.00	\$0.00	\$0.00	Crain Allison
267 364 20 00	1.00	SFD	E	1.00	1.00	\$0.00	\$0.00	Eberhardt Karl B&Julie W
267 364 21 00	0.12	STR	E	0.00	0.00	\$0.00	\$0.00	Del Sur Community Assn
267 364 22 00	0.25	OSP	E	0.00	0.00	\$0.00	\$0.00	Del Sur Community Association
267 364 23 00	0.08	OSP	E	0.00	0.00	\$0.00	\$0.00	Del Sur Community Assn
267 364 24 00	0.12	OSP	E	0.00	0.00	\$0.00	\$0.00	Del Sur Community Association
267 364 26 00	0.14	STR	E	0.00	0.00	\$0.00	\$0.00	Del Sur Community Assn
267 364 27 00	1.00	SFD	E	1.00	1.00	\$0.00	\$0.00	Otto Daniel&Deborah Revocable Trust

**EXHIBIT C - Assessment Roll (Fiscal Year 2020)**  
**Black Mountain Ranch North Maintenance Assessment District**

Parcel Number	Acres/ Units <sup>(1)</sup>	Land Use Code <sup>(2)</sup>	Zone	Land Use Factor <sup>(2)</sup>	Total EBUs	Unit Cost (\$/Ebu)	FY 2020 <sup>(3)</sup> Assessment	Owner Name
267 364 28 00	1.00	SFD	E	1.00	1.00	\$0.00	\$0.00	Shrishrimal Shah Family Trust 05-19-16
267 364 29 00	1.00	SFD	E	1.00	1.00	\$0.00	\$0.00	Berenter Monica Trust 04-24-17
267 364 30 00	1.00	SFD	E	1.00	1.00	\$0.00	\$0.00	Hugli Kevin T&Kelly
267 364 31 00	1.00	SFD	E	1.00	1.00	\$0.00	\$0.00	Taleppady Anil&Vidya
267 364 32 00	1.00	SFD	E	1.00	1.00	\$0.00	\$0.00	Smirnova Anzhelika
267 364 33 00	1.00	SFD	E	1.00	1.00	\$0.00	\$0.00	Ekambaram Shankar&Soundarraju Sridevi
267 364 34 00	1.00	SFD	E	1.00	1.00	\$0.00	\$0.00	Yang Chao-Shun&Du Tingting
267 364 35 00	1.00	SFD	E	1.00	1.00	\$0.00	\$0.00	Jaffke John P&Darlene M
267 364 36 00	1.00	SFD	E	1.00	1.00	\$0.00	\$0.00	Dhanasekaran Vijayakumar&Anbarasan Amrita P
267 364 37 00	1.00	SFD	E	1.00	1.00	\$0.00	\$0.00	Cubas Ivan&Castaneda Janeth
267 364 38 00	1.00	SFD	E	1.00	1.00	\$0.00	\$0.00	Meeks Brandon M&Jennifer S Family Trust 08-17-16
267 364 39 00	4.29	OSP	E	0.00	0.00	\$0.00	\$0.00	Del Sur Community Association
267 365 01 00	2.24	OSP	E	0.00	0.00	\$0.00	\$0.00	Del Sur Community Assn
267 365 03 00	3.51	OSP	E	0.00	0.00	\$0.00	\$0.00	Black Mountain Ranch L L C
267 365 04 00	11.85	OSP	E	0.00	0.00	\$0.00	\$0.00	Black Mountain Ranch L L C
267 370 01 01	1.00	CND	E	0.70	0.70	\$0.00	\$0.00	Ecleonel Agosto&Rosalina
267 370 01 02	1.00	CND	E	0.70	0.70	\$0.00	\$0.00	Ng Andrew X
267 370 01 03	1.00	CND	E	0.70	0.70	\$0.00	\$0.00	Montesi Living Trust 10-13-77
267 370 01 04	1.00	CND	E	0.70	0.70	\$0.00	\$0.00	Norman Paula R Trust 10-24-08
267 370 01 05	1.00	CND	E	0.70	0.70	\$0.00	\$0.00	Ren Pingda&Jiang Shumei
267 370 01 06	1.00	CND	E	0.70	0.70	\$0.00	\$0.00	Zabonik Mark A&Kelli A
267 370 01 07	1.00	CND	E	0.70	0.70	\$0.00	\$0.00	Buonarati Michael H&Margaret C N
267 370 01 08	1.00	CND	E	0.70	0.70	\$0.00	\$0.00	Marshall Shawn&Elizabeth
267 370 01 09	1.00	CND	E	0.70	0.70	\$0.00	\$0.00	Yin Mingming&Li Xuan
267 370 01 10	1.00	CND	E	0.70	0.70	\$0.00	\$0.00	Perez Rafael
267 370 01 11	1.00	CND	E	0.70	0.70	\$0.00	\$0.00	Feng Shi
267 370 01 12	1.00	CND	E	0.70	0.70	\$0.00	\$0.00	Lanier Susan J
267 370 01 13	1.00	CND	E	0.70	0.70	\$0.00	\$0.00	Dahiya Pavel&Bhavana
267 370 01 14	1.00	CND	E	0.70	0.70	\$0.00	\$0.00	Yung Yun C&Tith Tevy
267 370 01 15	1.00	CND	E	0.70	0.70	\$0.00	\$0.00	Rochelle Michele
267 370 01 16	1.00	CND	E	0.70	0.70	\$0.00	\$0.00	Gabel Michael
267 370 01 17	1.00	CND	E	0.70	0.70	\$0.00	\$0.00	Lee Kangmin&Kwon Yoosun
267 370 01 18	1.00	CND	E	0.70	0.70	\$0.00	\$0.00	Lawson Tyler G&Mari
267 370 01 19	1.00	CND	E	0.70	0.70	\$0.00	\$0.00	Ryzhak Alexander J&Lena
267 370 01 20	1.00	CND	E	0.70	0.70	\$0.00	\$0.00	Erten Demir&Berna S
267 370 01 21	1.00	CND	E	0.70	0.70	\$0.00	\$0.00	Nguyen Natalie T Trust 11-19-15
267 370 01 22	1.00	CND	E	0.70	0.70	\$0.00	\$0.00	Choi Wooram
267 370 01 23	1.00	CND	E	0.70	0.70	\$0.00	\$0.00	Grunsted Valerie Living Trust 02-26-00
267 370 01 24	1.00	CND	E	0.70	0.70	\$0.00	\$0.00	Cerasoli Kristi A
267 370 01 25	1.00	CND	E	0.70	0.70	\$0.00	\$0.00	Mahajan Surendra&Monali
267 370 01 26	1.00	CND	E	0.70	0.70	\$0.00	\$0.00	Venkitasamy Jeganathan&Chakraborty Debjani
267 370 01 27	1.00	CND	E	0.70	0.70	\$0.00	\$0.00	Ghadiri Fatemeh
267 370 01 28	1.00	CND	E	0.70	0.70	\$0.00	\$0.00	Park Brandyce S Trust 09-21-09
267 370 01 29	1.00	CND	E	0.70	0.70	\$0.00	\$0.00	Kreiss James D&Dubansky Julie A
267 370 01 30	1.00	CND	E	0.70	0.70	\$0.00	\$0.00	Frey Tracy N
267 370 01 31	1.00	CND	E	0.70	0.70	\$0.00	\$0.00	Powell Seiho N&Powell-Tran Loan Thi
267 370 01 32	1.00	CND	E	0.70	0.70	\$0.00	\$0.00	Tse Alexander B
267 370 01 33	1.00	CND	E	0.70	0.70	\$0.00	\$0.00	Leng Bing&Zhao Allison
267 370 01 34	1.00	CND	E	0.70	0.70	\$0.00	\$0.00	Clark William J&Roberta M
267 370 01 35	1.00	CND	E	0.70	0.70	\$0.00	\$0.00	Song Frank Yanling&Ying
267 370 01 36	1.00	CND	E	0.70	0.70	\$0.00	\$0.00	Castillo David M&Alexandra M
267 370 01 37	1.00	CND	E	0.70	0.70	\$0.00	\$0.00	Sharp Chom Ae
267 370 01 38	1.00	CND	E	0.70	0.70	\$0.00	\$0.00	Desai Hitesh J&Niral H
267 370 01 39	1.00	CND	E	0.70	0.70	\$0.00	\$0.00	Mukherji Ashok&Reubens Anita
267 370 01 40	1.00	CND	E	0.70	0.70	\$0.00	\$0.00	Gordon Julie R
267 370 01 41	1.00	CND	E	0.70	0.70	\$0.00	\$0.00	Huneke James&Diane Trust 07-30-01
267 370 01 42	1.00	CND	E	0.70	0.70	\$0.00	\$0.00	Salinas Family Trust 04-09-05
267 370 01 43	1.00	CND	E	0.70	0.70	\$0.00	\$0.00	Mahalingam Nagj&Purwanti Monica
267 370 01 44	1.00	CND	E	0.70	0.70	\$0.00	\$0.00	Covington Gregory E Jr Revocable Trust 03-15-17

## EXHIBIT C - Assessment Roll (Fiscal Year 2020)

### Black Mountain Ranch North Maintenance Assessment District

Parcel Number	Acres/ Units <sup>(1)</sup>	Land Use Code <sup>(2)</sup>	Zone	Land Use Factor <sup>(2)</sup>	Total EBUs	Unit Cost (\$/EBU)	FY 2020 <sup>(3)</sup> Assessment	Owner Name
267 370 01 45	1.00	CND	E	0.70	0.70	\$0.00	\$0.00	Bhatia Supreet&Manmeet
267 370 01 46	1.00	CND	E	0.70	0.70	\$0.00	\$0.00	Ni Jun&Chen Ying
267 370 01 47	1.00	CND	E	0.70	0.70	\$0.00	\$0.00	Oteri Oghenekome F&Awoniyi Olufunmilola O
267 370 01 48	1.00	CND	E	0.70	0.70	\$0.00	\$0.00	Chernow Duane&Casteel Lisa
267 370 01 49	1.00	CND	E	0.70	0.70	\$0.00	\$0.00	Pirolli Thomas J Jr&Lisa D
267 370 01 50	1.00	CND	E	0.70	0.70	\$0.00	\$0.00	Scharf Eric&Sherri
267 370 01 51	1.00	CND	E	0.70	0.70	\$0.00	\$0.00	Tom Wynnis L Trust 12-22-17
267 370 01 52	1.00	CND	E	0.70	0.70	\$0.00	\$0.00	Lobanov Igor&Yuliya
267 370 01 53	1.00	CND	E	0.70	0.70	\$0.00	\$0.00	Minachi Safa
267 370 01 54	1.00	CND	E	0.70	0.70	\$0.00	\$0.00	Hunsaker Robert M
267 370 01 55	1.00	CND	E	0.70	0.70	\$0.00	\$0.00	Arandjelovic Michelle Family Trust 01-26-16
267 370 03 00	2.47	PKU	E	0.50	1.24	\$0.00	\$0.00	Black Mountain Ranch L L C
267 370 04 00	10.31	EPS	E	5.00	51.55	\$0.00	\$0.00	Poway Unified School District
267 370 05 00	11.15	OSP	E	0.00	0.00	\$0.00	\$0.00	Black Mountain Ranch L L C
267 370 06 00	0.20	OSP	E	0.00	0.00	\$0.00	\$0.00	Black Mountain Ranch L L C
267 370 07 00	5.04	PKD	E	5.00	25.20	\$0.00	\$0.00	City Of San Diego
267 370 08 00	0.05	STR	E	0.00	0.00	\$0.00	\$0.00	Black Mountain Ranch L L C
267 380 01 00	1.00	SFD	C	1.00	1.00	\$0.00	\$0.00	Bunn Family Trust 11-08-00
267 380 02 00	1.00	SFD	C	1.00	1.00	\$0.00	\$0.00	Makkar Narinder S&Raminder K
267 380 03 00	1.00	SFD	C	1.00	1.00	\$0.00	\$0.00	King Wende&James 2010 Family Trust 08-30-10
267 380 04 00	1.00	SFD	C	1.00	1.00	\$0.00	\$0.00	Clare Family Trust 08-13-13
267 380 05 00	1.00	SFD	C	1.00	1.00	\$0.00	\$0.00	Yoshiyuki Trust 01-31-01
267 380 06 00	1.00	SFD	C	1.00	1.00	\$0.00	\$0.00	Spic Del Sur Llc
267 380 07 00	1.00	SFD	C	1.00	1.00	\$0.00	\$0.00	Spic Del Sur Llc
267 380 08 00	1.00	SFD	C	1.00	1.00	\$0.00	\$0.00	Spic Del Sur Llc
267 380 09 00	1.00	SFD	C	1.00	1.00	\$0.00	\$0.00	Spic Del Sur Llc
267 380 10 00	1.00	SFD	C	1.00	1.00	\$0.00	\$0.00	Spic Del Sur Llc
267 380 11 00	1.00	SFD	C	1.00	1.00	\$0.00	\$0.00	Spic Del Sur Llc
267 380 12 00	1.00	SFD	C	1.00	1.00	\$0.00	\$0.00	Spic Del Sur Llc
267 380 13 00	1.00	SFD	C	1.00	1.00	\$0.00	\$0.00	Spic Del Sur Llc
267 380 14 00	1.00	SFD	C	1.00	1.00	\$0.00	\$0.00	Spic Del Sur Llc
267 380 15 00	1.00	SFD	C	1.00	1.00	\$0.00	\$0.00	Spic Del Sur Llc
267 380 16 00	1.00	SFD	C	1.00	1.00	\$0.00	\$0.00	Spic Del Sur Llc
267 380 17 00	1.00	SFD	C	1.00	1.00	\$0.00	\$0.00	Spic Del Sur Llc
267 380 18 00	1.00	SFD	C	1.00	1.00	\$0.00	\$0.00	Spic Del Sur Llc
267 380 19 00	1.00	SFD	C	1.00	1.00	\$0.00	\$0.00	Spic Del Sur Llc
267 380 20 00	1.00	SFD	C	1.00	1.00	\$0.00	\$0.00	Mandell Andrew&Adele
267 380 21 00	1.00	SFD	C	1.00	1.00	\$0.00	\$0.00	Baek Paul N&Abler Sandra L
267 380 22 00	1.00	SFD	C	1.00	1.00	\$0.00	\$0.00	Nahm James Trust 06-07-00
267 380 23 00	1.76	OSP	C	0.00	0.00	\$0.00	\$0.00	Black Mountain Ranch L L C
267 380 24 00	0.78	STR	C	0.00	0.00	\$0.00	\$0.00	Black Mountain Ranch L L C
267 380 25 00	0.02	OSP	C	0.00	0.00	\$0.00	\$0.00	Black Mountain Ranch L L C
267 380 26 00	0.03	OSP	C	0.00	0.00	\$0.00	\$0.00	Black Mountain Ranch L L C
267 380 27 00	0.03	OSP	C	0.00	0.00	\$0.00	\$0.00	Black Mountain Ranch L L C
267 380 28 00	0.03	OSP	C	0.00	0.00	\$0.00	\$0.00	Black Mountain Ranch L L C
267 381 01 00	1.00	SFD	C	1.00	1.00	\$0.00	\$0.00	Johnson Dale M&Gail K
267 381 02 00	1.00	SFD	C	1.00	1.00	\$0.00	\$0.00	Ewing Thomas&Deborah Family Trust 02-18-91
267 381 03 00	1.00	SFD	C	1.00	1.00	\$0.00	\$0.00	Kwan Thomas J T&Shirley S Revocable Trust 03-20-15
267 381 04 00	1.00	SFD	C	1.00	1.00	\$0.00	\$0.00	Miller Family Survivors Trust 09-23-99
267 381 05 00	1.00	SFD	C	1.00	1.00	\$0.00	\$0.00	Tilford Toby&Juliet
267 381 06 00	1.00	SFD	C	1.00	1.00	\$0.00	\$0.00	Yan Wai M
267 381 07 00	1.00	SFD	C	1.00	1.00	\$0.00	\$0.00	Stelzner Family Trust 05-13-03
267 381 08 00	1.00	SFD	C	1.00	1.00	\$0.00	\$0.00	Whitney Family Trust 06-09-05
267 381 09 00	1.00	SFD	C	1.00	1.00	\$0.00	\$0.00	Spic Del Sur Llc
267 381 10 00	1.00	SFD	C	1.00	1.00	\$0.00	\$0.00	Spic Del Sur Llc
267 381 11 00	1.00	SFD	C	1.00	1.00	\$0.00	\$0.00	Zakov Kamen&Rita
267 381 12 00	1.00	SFD	C	1.00	1.00	\$0.00	\$0.00	Caputo Family Trust 05-29-97
267 381 13 00	1.00	SFD	C	1.00	1.00	\$0.00	\$0.00	McGinnis Russell&Karen
267 381 14 00	1.00	SFD	C	1.00	1.00	\$0.00	\$0.00	McGuire Family Trust 04-29-16

**EXHIBIT C - Assessment Roll (Fiscal Year 2020)**  
**Black Mountain Ranch North Maintenance Assessment District**

Parcel Number	Acres/ Units <sup>(1)</sup>	Land Use Code <sup>(2)</sup>	Zone	Land Use Factor <sup>(2)</sup>	Total EBU's	Unit Cost (\$/EBU)	FY 2020 <sup>(3)</sup> Assessment	Owner Name
267 381 15 00	1.00	SFD	C	1.00	1.00	\$0.00	\$0.00	Orlansky Inter Vivos Trust 01-03-86
267 381 16 00	1.00	SFD	C	1.00	1.00	\$0.00	\$0.00	Strauss Richard&Sherry
267 381 17 00	1.00	SFD	C	1.00	1.00	\$0.00	\$0.00	Maranian Raffi&Brandy Living Trust 08-02-16
267 381 18 00	1.00	SFD	C	1.00	1.00	\$0.00	\$0.00	Clift John W&Kathryn
267 381 19 00	1.00	SFD	C	1.00	1.00	\$0.00	\$0.00	Oliver John T&Beverly A
267 381 20 00	1.00	SFD	C	1.00	1.00	\$0.00	\$0.00	Konzen-Ormsby Trust 09-10-10
267 381 21 00	1.00	SFD	C	1.00	1.00	\$0.00	\$0.00	Conaty Family Trust
267 381 22 00	1.00	SFD	C	1.00	1.00	\$0.00	\$0.00	Spic Del Sur Llc
267 381 23 00	1.00	SFD	C	1.00	1.00	\$0.00	\$0.00	Spic Del Sur Llc
267 381 24 00	1.00	SFD	C	1.00	1.00	\$0.00	\$0.00	Spic Del Sur Llc
267 381 25 00	1.00	SFD	C	1.00	1.00	\$0.00	\$0.00	Spic Del Sur Llc
267 381 26 00	1.00	SFD	C	1.00	1.00	\$0.00	\$0.00	Spic Del Sur Llc
267 381 27 00	1.00	SFD	C	1.00	1.00	\$0.00	\$0.00	Spic Del Sur Llc
267 381 28 00	1.00	SFD	C	1.00	1.00	\$0.00	\$0.00	Spic Del Sur Llc
267 381 29 00	1.00	SFD	C	1.00	1.00	\$0.00	\$0.00	Spic Del Sur Llc
267 381 30 00	1.00	SFD	C	1.00	1.00	\$0.00	\$0.00	Pollack Family Trust 05-28-87
267 381 31 00	1.00	SFD	C	1.00	1.00	\$0.00	\$0.00	Oneal Ryan&Kimberly Family Trust
267 381 32 00	1.00	SFD	C	1.00	1.00	\$0.00	\$0.00	Hooker James T Family Trust 01-27-01
267 381 33 00	1.00	SFD	C	1.00	1.00	\$0.00	\$0.00	Glasgow Revocable Trust 04-04-07
267 381 35 00	1.00	SFD	C	1.00	1.00	\$0.00	\$0.00	Spic Del Sur Llc
267 381 36 00	1.00	SFD	C	1.00	1.00	\$0.00	\$0.00	Spic Del Sur Llc
267 381 37 00	0.17	OSP	C	0.00	0.00	\$0.00	\$0.00	Black Mountain Ranch L L C
267 381 38 00	3.79	OSP	C	0.00	0.00	\$0.00	\$0.00	Black Mountain Ranch L L C
267 381 39 00	2.23	STR	C	0.00	0.00	\$0.00	\$0.00	Delsur Community Assn
267 381 40 00	3.99	STR	C	0.00	0.00	\$0.00	\$0.00	Black Mountain Ranch L L C
267 381 41 00	1.00	SFD	C	1.00	1.00	\$0.00	\$0.00	Spic Del Sur Llc
267 381 42 00	1.00	SFD	C	1.00	1.00	\$0.00	\$0.00	Spic Del Sur Llc
267 400 01 00	1.00	SFD	E	1.00	1.00	\$0.00	\$0.00	Deforest Devin O
267 400 02 00	1.00	SFD	E	1.00	1.00	\$0.00	\$0.00	Ahmed Ilhamuddin&Mushtarina Wadina
267 400 03 00	1.00	SFD	E	1.00	1.00	\$0.00	\$0.00	Jannesari Saaid&Aramfard Mansoureh
267 400 04 00	1.00	SFD	E	1.00	1.00	\$0.00	\$0.00	Harikrishnan Venkatesh&Vadivelnaryanamurthy Priya
267 400 05 00	1.00	SFD	E	1.00	1.00	\$0.00	\$0.00	Brown&Quan Family Trust 08-01-06
267 400 06 00	1.00	SFD	E	1.00	1.00	\$0.00	\$0.00	Kudrimoti Family Trust 10-03-16
267 400 07 00	1.00	SFD	E	1.00	1.00	\$0.00	\$0.00	Movva Sashidhar&Sreedevi
267 400 08 00	1.00	SFD	E	1.00	1.00	\$0.00	\$0.00	Spencer Weston&Ashley
267 400 09 00	1.00	SFD	E	1.00	1.00	\$0.00	\$0.00	Temple Jay L&Priscilla G
267 400 10 00	1.00	SFD	E	1.00	1.00	\$0.00	\$0.00	Lee Judy
267 400 11 00	1.00	SFD	E	1.00	1.00	\$0.00	\$0.00	Sekar Balaji&Natarajan Krithika
267 400 12 00	1.00	SFD	E	1.00	1.00	\$0.00	\$0.00	Bonslaver Mark D&Boyer Darcy E
267 400 13 00	1.00	SFD	E	1.00	1.00	\$0.00	\$0.00	Jaakkola Mikko&Niina Family 2013 Trust
267 400 14 00	1.00	SFD	E	1.00	1.00	\$0.00	\$0.00	Uhlenkott Craig&Nicole
267 400 15 00	1.00	SFD	E	1.00	1.00	\$0.00	\$0.00	Moore Grant A&Kari L
267 400 16 00	1.00	SFD	E	1.00	1.00	\$0.00	\$0.00	Rosevear Craig&Dalong Living Trust 04-07-14
267 400 17 00	1.00	SFD	E	1.00	1.00	\$0.00	\$0.00	Mertz Robert J&Pamela M
267 400 18 00	1.00	SFD	E	1.00	1.00	\$0.00	\$0.00	Padmanabham Ananth&Bitrakanti Sujatha
267 400 19 00	1.00	SFD	E	1.00	1.00	\$0.00	\$0.00	Rodewald Jeffrey D&Cinda L
267 400 20 00	1.00	SFD	E	1.00	1.00	\$0.00	\$0.00	Leedom Gregory J&Allison D
267 400 21 00	1.00	SFD	E	1.00	1.00	\$0.00	\$0.00	Perry Todd A&Kathleen A
267 400 22 00	1.00	SFD	E	1.00	1.00	\$0.00	\$0.00	Wendlandt Ryan&Heather
267 400 23 00	1.00	SFD	E	1.00	1.00	\$0.00	\$0.00	Cruden Robert A&Disarro Dena M
267 400 24 00	1.00	SFD	E	1.00	1.00	\$0.00	\$0.00	Merrill Howard&Jacquelynn
267 400 25 00	1.00	SFD	E	1.00	1.00	\$0.00	\$0.00	Louis Dwayne M&Brandi L
267 400 26 00	1.00	SFD	E	1.00	1.00	\$0.00	\$0.00	Zhang Jianbo&Tang Chao
267 400 27 00	1.00	SFD	E	1.00	1.00	\$0.00	\$0.00	Bahmani Kambiz&Connery Colleen M
267 400 28 00	1.00	SFD	E	1.00	1.00	\$0.00	\$0.00	Patel Family Trust 06-04-16
267 400 29 00	1.00	SFD	E	1.00	1.00	\$0.00	\$0.00	Wenk Richard D Trust 03-20-14
267 400 30 00	1.00	SFD	E	1.00	1.00	\$0.00	\$0.00	Kwon Young&Jane Trust 09-09-13
267 400 31 00	1.00	SFD	E	1.00	1.00	\$0.00	\$0.00	Bradford-Vana Family Trust 06-01-12
267 400 32 00	1.00	SFD	E	1.00	1.00	\$0.00	\$0.00	Balaji Prasenna Family Revocable Trust 05-31-16



**EXHIBIT C - Assessment Roll (Fiscal Year 2020)**  
**Black Mountain Ranch North Maintenance Assessment District**

Parcel Number	Acres/ Units <sup>(1)</sup>	Land Use Code <sup>(2)</sup>	Zone	Land Use Factor <sup>(2)</sup>	Total EBU's	Unit Cost (\$/EBU)	FY 2020 <sup>(3)</sup> Assessment	Owner Name
267 400 33 00	1.00	SFD	E	1.00	1.00	\$0.00	\$0.00	Dellorfano Anthony E
267 400 34 00	1.00	SFD	E	1.00	1.00	\$0.00	\$0.00	Sutharsan Thirunathan&Jeyanthi
267 400 35 00	1.00	SFD	E	1.00	1.00	\$0.00	\$0.00	Jurado Glaser&Cynthia
267 400 36 00	1.00	SFD	E	1.00	1.00	\$0.00	\$0.00	Eghaneyan Revocable Trust 05-11-16
267 400 37 00	1.00	SFD	E	1.00	1.00	\$0.00	\$0.00	Heidecker Natalie R
267 400 38 00	1.00	SFD	E	1.00	1.00	\$0.00	\$0.00	Bhaghani 2008 Family Trust 05-29-08
267 400 39 00	1.00	SFD	E	1.00	1.00	\$0.00	\$0.00	Mettapalli Family Revocable Trust 11-15-13
267 400 40 00	1.00	SFD	E	1.00	1.00	\$0.00	\$0.00	Muendler Family Trust 06-15-12
267 400 41 00	1.00	SFD	E	1.00	1.00	\$0.00	\$0.00	Davidovich Svetlana
267 400 42 00	1.00	SFD	E	1.00	1.00	\$0.00	\$0.00	Flynn Patrick P&April R
267 400 43 00	1.00	SFD	E	1.00	1.00	\$0.00	\$0.00	Johnston Robert C&Christina P
267 400 44 00	1.00	SFD	E	1.00	1.00	\$0.00	\$0.00	Shi Ruofei&Guo Jing
267 400 45 00	1.00	SFD	E	1.00	1.00	\$0.00	\$0.00	Choi Michael J&Jaime D
267 400 46 00	1.00	SFD	E	1.00	1.00	\$0.00	\$0.00	Mayo Steven&Sheftic Margaret
267 400 47 00	1.00	SFD	E	1.00	1.00	\$0.00	\$0.00	Odonnell Kelly V&Lisa E
267 400 48 00	1.00	SFD	E	1.00	1.00	\$0.00	\$0.00	Pinderski Eric J&Soukahn N Family Trust 01-21-17
267 400 49 00	1.00	SFD	E	1.00	1.00	\$0.00	\$0.00	Fessenden James C&Allison H
267 400 50 00	1.00	SFD	E	1.00	1.00	\$0.00	\$0.00	Sutherland Christopher L&Rachel
267 400 51 00	1.00	SFD	E	1.00	1.00	\$0.00	\$0.00	Denehy Schaeffer Family 2015 Trust 08-07-15
267 400 52 00	1.00	SFD	E	1.00	1.00	\$0.00	\$0.00	Bacich Joseph&Cindy
267 400 53 00	1.00	SFD	E	1.00	1.00	\$0.00	\$0.00	Wien Daniel P&Christensen Michelle A
267 400 54 00	1.00	SFD	E	1.00	1.00	\$0.00	\$0.00	Bertino Ces F&Rita
267 400 55 00	0.05	OSP	E	0.00	0.00	\$0.00	\$0.00	Del Sur Community Assn
267 400 56 00	0.15	OSP	E	0.00	0.00	\$0.00	\$0.00	Del Sur Community Assn
267 400 57 00	0.10	OSP	E	0.00	0.00	\$0.00	\$0.00	Del Sur Community Assn
267 401 01 00	1.00	SFD	E	1.00	1.00	\$0.00	\$0.00	Gu Xiaoping&Wu Qi
267 401 02 00	1.00	SFD	E	1.00	1.00	\$0.00	\$0.00	Chao Jianhua
267 401 03 00	1.00	SFD	E	1.00	1.00	\$0.00	\$0.00	Moore Travis D&Kristen P
267 401 04 00	1.00	SFD	E	1.00	1.00	\$0.00	\$0.00	Smith Jason
267 401 05 00	1.00	SFD	E	1.00	1.00	\$0.00	\$0.00	Peia Mario
267 401 06 00	1.00	SFD	E	1.00	1.00	\$0.00	\$0.00	Schneringer Family Trust 11-20-14
267 401 07 00	1.00	SFD	E	1.00	1.00	\$0.00	\$0.00	Kan Andrew K&Ha Jimin
267 401 08 00	1.00	SFD	E	1.00	1.00	\$0.00	\$0.00	Martinez Svetlana
267 401 09 00	1.00	SFD	E	1.00	1.00	\$0.00	\$0.00	Pernicano Living Trust 05-18-16
267 401 10 00	1.00	SFD	E	1.00	1.00	\$0.00	\$0.00	Vogel David J&Kaitlan A
267 401 11 00	1.00	SFD	E	1.00	1.00	\$0.00	\$0.00	Dang Philippe Khanh&Vu Nga Thi
267 401 12 00	1.00	SFD	E	1.00	1.00	\$0.00	\$0.00	Bond Revocable Trust 11-03-15
267 401 13 00	1.00	SFD	E	1.00	1.00	\$0.00	\$0.00	Thakkar Snehal Kumar K&Ashabahan S
267 401 14 00	1.00	SFD	E	1.00	1.00	\$0.00	\$0.00	Chong In Suk&Yoo Young Eun
267 401 15 00	1.00	SFD	E	1.00	1.00	\$0.00	\$0.00	Chong-Ho Trust 05-19-17
267 401 16 00	1.00	SFD	E	1.00	1.00	\$0.00	\$0.00	Lebrun Raymond&Kristina
267 401 17 00	1.00	SFD	E	1.00	1.00	\$0.00	\$0.00	Boreddy Jayaprakash R&Vaddireddy Sulochana R
267 401 18 00	1.00	SFD	E	1.00	1.00	\$0.00	\$0.00	Thoziyoor Shyamkumar&Vadakkumkoo Subha
267 401 19 00	1.00	SFD	E	1.00	1.00	\$0.00	\$0.00	Wolf Donald T&Kim B
267 401 20 00	1.00	SFD	E	1.00	1.00	\$0.00	\$0.00	8484 Ednaly Lane L L C
267 401 21 00	1.00	SFD	E	1.00	1.00	\$0.00	\$0.00	Jong Jun Ho&Joan
267 401 22 00	1.00	SFD	E	1.00	1.00	\$0.00	\$0.00	Le Truong-Giang&Dorothy S
267 401 23 00	1.00	SFD	E	1.00	1.00	\$0.00	\$0.00	Jones-Storey Kelly&Garcia-Jones Silvia
267 401 24 00	1.00	SFD	E	1.00	1.00	\$0.00	\$0.00	Tubati Srikanth&Kondapi Sai P
267 401 25 00	1.00	SFD	E	1.00	1.00	\$0.00	\$0.00	Bhandiwad Harish&Harapanahalli Sheela
267 401 26 00	1.00	SFD	E	1.00	1.00	\$0.00	\$0.00	Crossgrove Jarrett R&Tiffany
267 401 27 00	1.00	SFD	E	1.00	1.00	\$0.00	\$0.00	Bunsold Robert A&Kristin K
267 401 28 00	1.00	SFD	E	1.00	1.00	\$0.00	\$0.00	Chu-Pham Trust 06-21-11
267 401 29 00	1.00	SFD	E	1.00	1.00	\$0.00	\$0.00	Tran-Ho Family Trust 10-02-14
267 401 30 00	1.00	SFD	E	1.00	1.00	\$0.00	\$0.00	Zimmer Scott A&Julianne
267 401 31 00	1.00	SFD	E	1.00	1.00	\$0.00	\$0.00	Rodriguez Manuel E&Elizabeth J
267 401 32 00	1.00	SFD	E	1.00	1.00	\$0.00	\$0.00	Warner John M&Pandora H
267 401 33 00	1.00	SFD	E	1.00	1.00	\$0.00	\$0.00	Varga Gerald
267 401 34 00	1.00	SFD	E	1.00	1.00	\$0.00	\$0.00	Czyszczonek Thomas M&Gail

## EXHIBIT C - Assessment Roll (Fiscal Year 2020)

### Black Mountain Ranch North Maintenance Assessment District

Parcel Number	Acres/ Units <sup>(1)</sup>	Land Use Code <sup>(2)</sup>	Zone	Land Use Factor <sup>(2)</sup>	Total EBUs	Unit Cost (\$/EBU)	FY 2020 <sup>(3)</sup> Assessment	Owner Name
267 401 35 00	1.00	SFD	E	1.00	1.00	\$0.00	\$0.00	Petersen Andrew&Laura
267 401 36 00	1.00	SFD	E	1.00	1.00	\$0.00	\$0.00	Shih Family Trust 12-10-13
267 401 37 00	1.00	SFD	E	1.00	1.00	\$0.00	\$0.00	Hartmann Scott&Sharon Trust 04-26-08
267 401 38 00	1.00	SFD	E	1.00	1.00	\$0.00	\$0.00	Grothe Family Living Trust 07-13-16
267 401 39 00	1.00	SFD	E	1.00	1.00	\$0.00	\$0.00	Jha Somesh&Jaya
267 401 40 00	1.00	SFD	E	1.00	1.00	\$0.00	\$0.00	Tsang Brian&Matsumoto Sandra
267 401 41 00	1.00	SFD	E	1.00	1.00	\$0.00	\$0.00	Smith K B Family Trust 06-26-13
267 401 42 00	1.00	SFD	E	1.00	1.00	\$0.00	\$0.00	Huang Tao&Zhang Shu Juan
267 401 43 00	1.00	SFD	E	1.00	1.00	\$0.00	\$0.00	Bonarrigo Donna
267 401 44 00	1.00	SFD	E	1.00	1.00	\$0.00	\$0.00	Fonss Family Trust 01-04-13
267 401 45 00	1.00	SFD	E	1.00	1.00	\$0.00	\$0.00	Kuhert Norbert K&Margaret J
267 401 46 00	1.00	SFD	E	1.00	1.00	\$0.00	\$0.00	Iraninejad Family Trust 11-21-07
267 401 47 00	1.00	SFD	E	1.00	1.00	\$0.00	\$0.00	Zhang Guoqing&Fan Jin
267 401 48 00	1.00	SFD	E	1.00	1.00	\$0.00	\$0.00	Itakura Nobuyasu R&Mai Pham
267 401 49 00	1.00	SFD	E	1.00	1.00	\$0.00	\$0.00	Devalaraju Phalguna&Rangaraju Kirthi
267 401 50 00	1.00	SFD	E	1.00	1.00	\$0.00	\$0.00	Lee Debra
267 401 51 00	1.00	SFD	E	1.00	1.00	\$0.00	\$0.00	Farrell Hansel Family Trust 06-05-17
267 401 52 00	1.00	SFD	E	1.00	1.00	\$0.00	\$0.00	Mccallum Ian&Diane
267 401 53 00	1.00	SFD	E	1.00	1.00	\$0.00	\$0.00	Cline Brian K&Kristin C
267 401 54 00	1.00	SFD	E	1.00	1.00	\$0.00	\$0.00	Jenkins Kira C
267 401 55 00	1.00	SFD	E	1.00	1.00	\$0.00	\$0.00	Fischbein Family Survivors Trust 04-20-97
267 401 56 00	1.00	SFD	E	1.00	1.00	\$0.00	\$0.00	Reed Revocable Living Trust 03-06-06
267 401 57 00	1.00	SFD	E	1.00	1.00	\$0.00	\$0.00	Blalock Misty
267 401 58 00	1.00	SFD	E	1.00	1.00	\$0.00	\$0.00	Baltuskonis Derek C&Patel Lauren
267 401 59 00	1.00	SFD	E	1.00	1.00	\$0.00	\$0.00	Trinder Caroline
267 401 60 00	1.00	SFD	E	1.00	1.00	\$0.00	\$0.00	Amble Christopher S&Jennifer J
267 401 61 00	1.00	SFD	E	1.00	1.00	\$0.00	\$0.00	Blazek David&Leslie
267 401 62 00	1.00	SFD	E	1.00	1.00	\$0.00	\$0.00	Abalos Michael&Mary J Family Trust 05-06-16
267 401 63 00	1.00	SFD	E	1.00	1.00	\$0.00	\$0.00	Alejandro Lawrence&Linh M
267 401 64 00	1.00	SFD	E	1.00	1.00	\$0.00	\$0.00	Dasgupta Rajarshi&Banerjee Antara
267 401 65 00	0.13	OSP	E	0.00	0.00	\$0.00	\$0.00	Del Sur Community Assn
267 401 66 00	0.02	OSP	E	0.00	0.00	\$0.00	\$0.00	Del Sur Community Assn
267 401 67 00	0.05	OSP	E	0.00	0.00	\$0.00	\$0.00	Del Sur Community Assn
267 401 68 00	0.08	OSP	E	0.00	0.00	\$0.00	\$0.00	Del Sur Community Assn
267 401 69 00	0.11	OSP	E	0.00	0.00	\$0.00	\$0.00	Del Sur Community Assn
267 401 70 00	0.05	OSP	E	0.00	0.00	\$0.00	\$0.00	Del Sur Community Assn
267 401 71 00	0.37	STR	E	0.00	0.00	\$0.00	\$0.00	Delsur Community Assn
267 401 72 00	0.08	OSP	E	0.00	0.00	\$0.00	\$0.00	Del Sur Community Assn
267 401 73 00	0.02	OSP	E	0.00	0.00	\$0.00	\$0.00	Del Sur Community Assn
267 401 74 00	0.05	OSP	E	0.00	0.00	\$0.00	\$0.00	Del Sur Community Assn
267 402 01 00	1.00	SFD	E	1.00	1.00	\$0.00	\$0.00	Severson Family Trust 09-14-12
267 402 02 00	1.00	SFD	E	1.00	1.00	\$0.00	\$0.00	Sen Family Trust 06-15-17
267 402 03 00	1.00	SFD	E	1.00	1.00	\$0.00	\$0.00	Sinnokrot Mohammed&Saleh Ola
267 402 04 00	1.00	SFD	E	1.00	1.00	\$0.00	\$0.00	Nazif Omar&Katherine
267 402 05 00	1.00	SFD	E	1.00	1.00	\$0.00	\$0.00	Shihabi Sami N&Marron Esther Y
267 402 06 00	1.00	SFD	E	1.00	1.00	\$0.00	\$0.00	Sourkes Jonathan M&Sheryl
267 402 07 00	1.00	SFD	E	1.00	1.00	\$0.00	\$0.00	Brittain Grant&Andrea R
267 402 08 00	1.00	SFD	E	1.00	1.00	\$0.00	\$0.00	Feise Ronald J&Pamela
267 402 09 00	1.00	SFD	E	1.00	1.00	\$0.00	\$0.00	Margowitz John&Heather Revocable 2011 Trust 12-15-11
267 402 10 00	1.00	SFD	E	1.00	1.00	\$0.00	\$0.00	Dyer Kevin&Akemi B
267 402 11 00	1.00	SFD	E	1.00	1.00	\$0.00	\$0.00	Iranitehrani Mohammad&Tehrani Laura
267 402 12 00	1.00	SFD	E	1.00	1.00	\$0.00	\$0.00	Weatherford Yvonne 2001 Trust
267 402 13 00	1.00	SFD	E	1.00	1.00	\$0.00	\$0.00	Rubanyi Gabor&Edith Trust 02-12-99
267 402 14 00	1.00	SFD	E	1.00	1.00	\$0.00	\$0.00	Thinnes Katharina C
267 402 15 00	1.00	SFD	E	1.00	1.00	\$0.00	\$0.00	Thiessen Rose M Trust 03-17-16
267 402 16 00	1.00	SFD	E	1.00	1.00	\$0.00	\$0.00	Zhang Fang
267 402 17 00	1.00	SFD	E	1.00	1.00	\$0.00	\$0.00	Yao Charles C
267 402 18 00	1.00	SFD	E	1.00	1.00	\$0.00	\$0.00	Beckman Family Survivors Trust 11-14-90
267 402 19 00	1.00	SFD	E	1.00	1.00	\$0.00	\$0.00	Conrad Family Trust 04-03-89

**EXHIBIT C - Assessment Roll (Fiscal Year 2020)**  
**Black Mountain Ranch North Maintenance Assessment District**

Parcel Number	Acres/ Units <sup>(1)</sup>	Land Use Code <sup>(2)</sup>	Zone	Land Use Factor <sup>(2)</sup>	Total EBUs	Unit Cost (\$/EBU)	FY 2020 <sup>(3)</sup> Assessment	Owner Name
267 402 20 00	1.00	SFD	E	1.00	1.00	\$0.00	\$0.00	Chow Shein-Chung&Pong Annpey
267 402 21 00	1.00	SFD	E	1.00	1.00	\$0.00	\$0.00	Deissi-Gibbs Jason T&Cira
267 402 22 00	1.00	SFD	E	1.00	1.00	\$0.00	\$0.00	Conner Gregory&Veronica Trust 11-19-07
267 402 23 00	1.00	SFD	E	1.00	1.00	\$0.00	\$0.00	Taylor Jeremiah E&Maxwell Gina
267 402 24 00	1.00	SFD	E	1.00	1.00	\$0.00	\$0.00	Schramm Walter&Hanna
267 402 25 00	1.00	SFD	E	1.00	1.00	\$0.00	\$0.00	Digiacom Family Trust 03-15-94
267 402 26 00	0.32	STR	E	0.00	0.00	\$0.00	\$0.00	Del Sur Community Assn
267 402 27 00	3.83	OSP	E	0.00	0.00	\$0.00	\$0.00	Del Sur Community Assn
267 402 28 00	0.12	STR	E	0.00	0.00	\$0.00	\$0.00	Del Sur Community Assn
267 402 29 00	0.20	OSP	E	0.00	0.00	\$0.00	\$0.00	Del Sur Community Assn
267 402 30 00	0.13	STR	E	0.00	0.00	\$0.00	\$0.00	Del Sur Community Assn
267 403 02 00	0.31	OSP	E	0.00	0.00	\$0.00	\$0.00	Del Sur Community Assn
267 403 03 00	1.01	PKU	E	0.50	0.51	\$0.00	\$0.00	Black Mountain Ranch L L C
267 403 04 00	4.73	OSP	E	0.00	0.00	\$0.00	\$0.00	Black Mountain Ranch L L C
267 403 05 01	1.00	CND	E	0.70	0.70	\$0.00	\$0.00	Schweichler Jeffrey&Pamela
267 403 05 02	1.00	CND	E	0.70	0.70	\$0.00	\$0.00	Casanova Cassandra J
267 403 05 03	1.00	CND	E	0.70	0.70	\$0.00	\$0.00	Iyer Ashish&Shinde Shweta
267 403 05 04	1.00	CND	E	0.70	0.70	\$0.00	\$0.00	Knudsen Arvind&Anette B
267 403 05 05	1.00	CND	E	0.70	0.70	\$0.00	\$0.00	Harriss Catherine M H Living Trust 11-07-13
267 403 05 06	1.00	CND	E	0.70	0.70	\$0.00	\$0.00	Ditzhazy Noel R
267 403 05 07	1.00	CND	E	0.70	0.70	\$0.00	\$0.00	Paredes Eduardo M
267 403 05 08	1.00	CND	E	0.70	0.70	\$0.00	\$0.00	Deshpande Aniruddha&Anagha A
267 403 05 09	1.00	CND	E	0.70	0.70	\$0.00	\$0.00	Dunbar James R
267 403 05 10	1.00	CND	E	0.70	0.70	\$0.00	\$0.00	Mcgloughlin Michael&Gwozdz Renata
267 403 06 01	1.00	CND	E	0.70	0.70	\$0.00	\$0.00	Barnes Kent M&Robin R Living Trust 05-31-13
267 403 06 02	1.00	CND	E	0.70	0.70	\$0.00	\$0.00	Harrington Paula L
267 403 06 03	1.00	CND	E	0.70	0.70	\$0.00	\$0.00	Capule Ronald&Templo-Capule Marie
267 403 06 04	1.00	CND	E	0.70	0.70	\$0.00	\$0.00	Saad Ashraf A
267 403 06 05	1.00	CND	E	0.70	0.70	\$0.00	\$0.00	Kattamuri Subrahmanyam V&Gorugantu Sriya
267 403 06 06	1.00	CND	E	0.70	0.70	\$0.00	\$0.00	Kishen Kiran B
267 403 06 07	1.00	CND	E	0.70	0.70	\$0.00	\$0.00	Arbogast G Tomi
267 403 06 08	1.00	CND	E	0.70	0.70	\$0.00	\$0.00	Craft Christopher L
267 403 06 09	1.00	CND	E	0.70	0.70	\$0.00	\$0.00	Johnson Tyler D&Allison E
267 403 06 10	1.00	CND	E	0.70	0.70	\$0.00	\$0.00	Wiglesworth Family Trust
267 403 07 01	1.00	CND	E	0.70	0.70	\$0.00	\$0.00	Dempsey Nicholas J
267 403 07 02	1.00	CND	E	0.70	0.70	\$0.00	\$0.00	Rajput Akhil&Chandrasekhar Anjana
267 403 07 03	1.00	CND	E	0.70	0.70	\$0.00	\$0.00	Huang Chun Ming
267 403 07 04	1.00	CND	E	0.70	0.70	\$0.00	\$0.00	Zhao Xin&Sun Xiaojing
267 403 07 05	1.00	CND	E	0.70	0.70	\$0.00	\$0.00	Mao Jia
267 403 07 06	1.00	CND	E	0.70	0.70	\$0.00	\$0.00	Marudharaju Ramesh&Subramani Deepalakshmi
267 403 07 07	1.00	CND	E	0.70	0.70	\$0.00	\$0.00	Ferry Michael S&Kristen L
267 403 07 08	1.00	CND	E	0.70	0.70	\$0.00	\$0.00	Colangelo Rosamaria
267 403 07 09	1.00	CND	E	0.70	0.70	\$0.00	\$0.00	Kemper Gregory R Jr
267 403 07 10	1.00	CND	E	0.70	0.70	\$0.00	\$0.00	Burchett Jeremy
267 403 08 01	1.00	CND	E	0.70	0.70	\$0.00	\$0.00	Roeder Eric&Hilary
267 403 08 02	1.00	CND	E	0.70	0.70	\$0.00	\$0.00	Kemmerrer Kevin&Chelsea C
267 403 08 03	1.00	CND	E	0.70	0.70	\$0.00	\$0.00	Dean Joshua W&Sarah E
267 403 08 04	1.00	CND	E	0.70	0.70	\$0.00	\$0.00	Koenig Grant M&Sallie A
267 403 08 05	1.00	CND	E	0.70	0.70	\$0.00	\$0.00	Treacy Gerald B&Joyce M
267 403 08 06	1.00	CND	E	0.70	0.70	\$0.00	\$0.00	Salehizadeh Kian&Flaherty Stephanie M
267 403 08 07	1.00	CND	E	0.70	0.70	\$0.00	\$0.00	Hale Annie Hung-En&Aaron Dean Revocable Trust 02-25-
267 403 08 08	1.00	CND	E	0.70	0.70	\$0.00	\$0.00	Muthuselvan Bhargavan&Reddiar Nivashiny V
267 403 08 09	1.00	CND	E	0.70	0.70	\$0.00	\$0.00	Fang Alfredo A&Evangeline O
267 403 08 10	1.00	CND	E	0.70	0.70	\$0.00	\$0.00	Crawford Scott W
267 403 09 01	1.00	CND	E	0.70	0.70	\$0.00	\$0.00	Sajja Sridhar&Kamineni Kanthi P
267 403 09 02	1.00	CND	E	0.70	0.70	\$0.00	\$0.00	Mazur Daniel J
267 403 09 03	1.00	CND	E	0.70	0.70	\$0.00	\$0.00	Kim In Chull
267 403 09 04	1.00	CND	E	0.70	0.70	\$0.00	\$0.00	Fitch Donald R&Insun A
267 403 09 05	1.00	CND	E	0.70	0.70	\$0.00	\$0.00	Reed Kevin B&Rebecca L

**EXHIBIT C - Assessment Roll (Fiscal Year 2020)**  
**Black Mountain Ranch North Maintenance Assessment District**

Parcel Number	Acres/ Units <sup>(1)</sup>	Land Use Code <sup>(2)</sup>	Zone	Land Use Factor <sup>(2)</sup>	Total EBU's	Unit Cost (\$/EBU)	FY 2020 <sup>(3)</sup> Assessment	Owner Name
267 403 09 06	1.00	CND	E	0.70	0.70	\$0.00	\$0.00	Diverde Nicholas&Shannon Family 2007 Trust
267 403 10 01	1.00	CND	E	0.70	0.70	\$0.00	\$0.00	Christlinson Lucas&Marisol
267 403 10 02	1.00	CND	E	0.70	0.70	\$0.00	\$0.00	Morris Heather A
267 403 10 03	1.00	CND	E	0.70	0.70	\$0.00	\$0.00	Wozney Family Trust 12-30-15
267 403 10 04	1.00	CND	E	0.70	0.70	\$0.00	\$0.00	Maneri Thomas L Jr
267 403 10 05	1.00	CND	E	0.70	0.70	\$0.00	\$0.00	Pacific Asaad Trust 08-07-13
267 403 10 06	1.00	CND	E	0.70	0.70	\$0.00	\$0.00	Lucia Nicole M
267 403 10 07	1.00	CND	E	0.70	0.70	\$0.00	\$0.00	Barman Utpal&Borah Mridusmita
267 403 10 08	1.00	CND	E	0.70	0.70	\$0.00	\$0.00	Eregowda Mahadeva V&Gowda Divya P
267 403 10 09	1.00	CND	E	0.70	0.70	\$0.00	\$0.00	Venkatraman Arun&Ramesh Varsha
267 403 10 10	1.00	CND	E	0.70	0.70	\$0.00	\$0.00	Dionne Mark A
267 403 11 01	1.00	CND	E	0.70	0.70	\$0.00	\$0.00	Workman Timothy&Jena
267 403 11 02	1.00	CND	E	0.70	0.70	\$0.00	\$0.00	Shteremberg Sara Trust 06-20-14
267 403 11 03	1.00	CND	E	0.70	0.70	\$0.00	\$0.00	Kim William Jeongwoo&Lindsey Han
267 403 11 04	1.00	CND	E	0.70	0.70	\$0.00	\$0.00	Goswami Himanshu&Shah Himadri
267 403 11 05	1.00	CND	E	0.70	0.70	\$0.00	\$0.00	Berengolts Michael J&Orlee M
267 403 11 06	1.00	CND	E	0.70	0.70	\$0.00	\$0.00	Chakravarty Nilopal
267 403 11 07	1.00	CND	E	0.70	0.70	\$0.00	\$0.00	Diaz Kristie L
267 403 11 08	1.00	CND	E	0.70	0.70	\$0.00	\$0.00	Kashyap Gaurav&Pasricha Sugandha
267 403 11 09	1.00	CND	E	0.70	0.70	\$0.00	\$0.00	Guimaraes Berenice Trust 03-14-17
267 403 11 10	1.00	CND	E	0.70	0.70	\$0.00	\$0.00	Marsano Giovanni
267 403 12 01	1.00	CND	E	0.70	0.70	\$0.00	\$0.00	Samrith Chheat&Thanh
267 403 12 02	1.00	CND	E	0.70	0.70	\$0.00	\$0.00	Legaspi Jason
267 403 12 03	1.00	CND	E	0.70	0.70	\$0.00	\$0.00	Ma Zhiqian&Luo Yuan
267 403 12 04	1.00	CND	E	0.70	0.70	\$0.00	\$0.00	Henzie Brandon C&Nicole M
267 470 01 00	1.00	SFD	A	1.00	1.00	\$0.00	\$0.00	Chrissie Trust 08-09-04
267 470 02 00	1.00	SFD	A	1.00	1.00	\$0.00	\$0.00	Reynolds Family Trust 11-05-01
267 470 03 00	1.00	SFD	A	1.00	1.00	\$0.00	\$0.00	Dow Catherine
267 470 04 00	1.00	SFD	A	1.00	1.00	\$0.00	\$0.00	Krongard Manus L&Cheryl F
267 470 05 00	1.00	SFD	A	1.00	1.00	\$0.00	\$0.00	Roy David&Nancy Family Survivors Trust 02-03-96
267 470 06 00	1.00	SFD	A	1.00	1.00	\$0.00	\$0.00	Babaoiff Abraham&Azam
267 470 07 00	1.00	SFD	A	1.00	1.00	\$0.00	\$0.00	Samaritoni Living Trust 03-18-94
267 470 08 00	1.00	SFD	A	1.00	1.00	\$0.00	\$0.00	Cheryl L Phelps Trust 08-19-99
267 470 09 00	1.00	SFD	A	1.00	1.00	\$0.00	\$0.00	Nabai Sarah Living Trust 05-29-03
267 470 10 00	1.00	SFD	A	1.00	1.00	\$0.00	\$0.00	Murray Kevin J&Sherri R
267 470 11 00	1.00	SFD	A	1.00	1.00	\$0.00	\$0.00	Concha Family Trust 03-08-00
267 470 12 00	1.00	SFD	A	1.00	1.00	\$0.00	\$0.00	Matthews Family Trust C 08-24-90
267 470 13 00	1.00	SFD	A	1.00	1.00	\$0.00	\$0.00	Brenneis Family 2007 Trust 10-25-07
267 470 14 00	1.00	SFD	A	1.00	1.00	\$0.00	\$0.00	Kim Choo&Jae
267 470 15 00	1.00	SFD	A	1.00	1.00	\$0.00	\$0.00	Booth Karen A
267 470 16 00	1.00	SFD	A	1.00	1.00	\$0.00	\$0.00	Don Family Living Trust 09-29-98
267 470 17 00	1.00	SFD	A	1.00	1.00	\$0.00	\$0.00	Kung Dominic M&Elaine H Revocable Living Trust 08-16-1
267 470 18 00	1.00	SFD	A	1.00	1.00	\$0.00	\$0.00	Sahm Revocable Trust 07-21-15
267 470 19 00	1.00	SFD	A	1.00	1.00	\$0.00	\$0.00	Bloch Garry J&Cheryl L
267 470 20 00	1.00	SFD	A	1.00	1.00	\$0.00	\$0.00	Morgan Diane S 2014 Trust 10-23-14
267 470 21 00	1.00	SFD	A	1.00	1.00	\$0.00	\$0.00	Weisman Michael Living Trust
267 470 22 00	1.00	SFD	A	1.00	1.00	\$0.00	\$0.00	Cetel Weiss Family Trust 02-02-84
267 470 23 00	1.00	SFD	A	1.00	1.00	\$0.00	\$0.00	Goergen Thomas&Carol Trust 03-16-88
267 470 24 00	1.00	SFD	A	1.00	1.00	\$0.00	\$0.00	Segnit Robert&Patricia Family Trust 09-15-95
267 470 25 00	1.00	SFD	A	1.00	1.00	\$0.00	\$0.00	Collins John D&Kathleen M
267 470 26 00	1.00	SFD	A	1.00	1.00	\$0.00	\$0.00	Skow Family Trust 03-09-17
267 470 27 00	1.00	SFD	A	1.00	1.00	\$0.00	\$0.00	Gonen Shimon&Robyn
267 470 28 00	1.00	SFD	A	1.00	1.00	\$0.00	\$0.00	Stevenson Andrew R&Mary C Living Trust 10-11-16
267 470 29 00	1.00	SFD	A	1.00	1.00	\$0.00	\$0.00	Lippert George A&Xiaoping Z
267 470 30 00	1.00	SFD	A	1.00	1.00	\$0.00	\$0.00	Johnson Family Trust 05-06-11
267 470 31 01	1.00	CND	A	0.70	0.70	\$0.00	\$0.00	Ahuja Family Trust 03-09-09
267 470 31 02	1.00	CND	A	0.70	0.70	\$0.00	\$0.00	Duncan Nancy C 1991 Trust 10-18-91
267 470 31 03	1.00	CND	A	0.70	0.70	\$0.00	\$0.00	Hill David H&Deborah A
267 470 31 04	1.00	CND	A	0.70	0.70	\$0.00	\$0.00	Lewis Revocable Living Trust

**EXHIBIT C - Assessment Roll (Fiscal Year 2020)**  
**Black Mountain Ranch North Maintenance Assessment District**

Parcel Number	Acres/ Units <sup>(1)</sup>	Land Use Code <sup>(2)</sup>	Zone	Land Use Factor <sup>(2)</sup>	Total EBU's	Unit Cost (\$/EBU)	FY 2020 <sup>(3)</sup> Assessment	Owner Name
267 470 31 05	1.00	CND	A	0.70	0.70	\$0.00	\$0.00	Lindsay Danielle Living Trust 09-11-02
267 470 31 06	1.00	CND	A	0.70	0.70	\$0.00	\$0.00	Axelrod Roy D
267 470 31 07	1.00	CND	A	0.70	0.70	\$0.00	\$0.00	Olson Jayne M Family Trust 10-23-03
267 470 31 08	1.00	CND	A	0.70	0.70	\$0.00	\$0.00	Williams Alison F
267 470 31 09	1.00	CND	A	0.70	0.70	\$0.00	\$0.00	Selland Steve C&Edwina
267 470 31 10	1.00	CND	A	0.70	0.70	\$0.00	\$0.00	Chukerman Neal Revocable Trust 03-11-97
267 470 31 11	1.00	CND	A	0.70	0.70	\$0.00	\$0.00	Iliff Susan G Restated Revocable Trust 07-07-10
267 470 31 12	1.00	CND	A	0.70	0.70	\$0.00	\$0.00	Pollock Family Revocable Trust 09-18-04
267 470 31 13	1.00	CND	A	0.70	0.70	\$0.00	\$0.00	S J E 2006 Family Trust 10-23-06
267 470 31 14	1.00	CND	A	0.70	0.70	\$0.00	\$0.00	Hansen Robert L&Lewis Lorianne C
267 470 31 15	1.00	CND	A	0.70	0.70	\$0.00	\$0.00	Chen Harold&Chuhwei Family 2014 Trust 01-10-14
267 470 31 16	1.00	CND	A	0.70	0.70	\$0.00	\$0.00	Henzie Family Trust 11-28-07
267 470 31 17	1.00	CND	A	0.70	0.70	\$0.00	\$0.00	Newman Eugene N&Suzanne M Family Trust 12-15-08
267 470 31 18	1.00	CND	A	0.70	0.70	\$0.00	\$0.00	Broder Marjorie L Family Trust 08-30-16
267 470 31 19	1.00	CND	A	0.70	0.70	\$0.00	\$0.00	Townsend Kathleen
267 470 31 20	1.00	CND	A	0.70	0.70	\$0.00	\$0.00	Bucciarelli Gale C&Patricia A
267 470 31 21	1.00	CND	A	0.70	0.70	\$0.00	\$0.00	Bochert Stacey M 2017 Living Trust 11-20-17
267 470 31 22	1.00	CND	A	0.70	0.70	\$0.00	\$0.00	Rose Thurman H&Regina A Family Trust 07-22-98
267 470 31 23	1.00	CND	A	0.70	0.70	\$0.00	\$0.00	Justus 1996 Trust 04-23-96
267 470 31 24	1.00	CND	A	0.70	0.70	\$0.00	\$0.00	Crist Paul J
267 470 31 25	1.00	CND	A	0.70	0.70	\$0.00	\$0.00	Untiedt Living Trust 10-05-93
267 470 31 26	1.00	CND	A	0.70	0.70	\$0.00	\$0.00	Yatsko Stephen A&Amy D
267 470 31 27	1.00	CND	A	0.70	0.70	\$0.00	\$0.00	Odwazny Trust 01-09-03
267 470 31 28	1.00	CND	A	0.70	0.70	\$0.00	\$0.00	Chan Simon&Cynthia
267 470 31 29	1.00	CND	A	0.70	0.70	\$0.00	\$0.00	Bortolutti Trinh Revocable Trust 03-06-06
267 470 31 30	1.00	CND	A	0.70	0.70	\$0.00	\$0.00	Lenhart Richard N&Kathleen A
267 470 31 31	1.00	CND	A	0.70	0.70	\$0.00	\$0.00	Wakil Laura&Albert 2016 Family Trust 10-09-16
267 470 31 32	1.00	CND	A	0.70	0.70	\$0.00	\$0.00	Sick Stephen J&Walter-Sick Sheri L Trust 05-06-99
267 470 31 33	1.00	CND	A	0.70	0.70	\$0.00	\$0.00	Yousif Adel&Lydia S
267 470 31 34	1.00	CND	A	0.70	0.70	\$0.00	\$0.00	Ryan Andrew J&Gi Muoi
267 470 31 35	1.00	CND	A	0.70	0.70	\$0.00	\$0.00	Sanguinetti Family Trust 06-04-02
267 470 31 36	1.00	CND	A	0.70	0.70	\$0.00	\$0.00	Notwani Llc
267 470 31 37	1.00	CND	A	0.70	0.70	\$0.00	\$0.00	Pourteymour Family Trust 03-01-07
267 470 31 38	1.00	CND	A	0.70	0.70	\$0.00	\$0.00	June Michael A&Pamela O
267 470 31 39	1.00	CND	A	0.70	0.70	\$0.00	\$0.00	Vevaina Family Trust 03-24-05
267 470 31 40	1.00	CND	A	0.70	0.70	\$0.00	\$0.00	Jonkers Mathieu W
267 470 31 41	1.00	CND	A	0.70	0.70	\$0.00	\$0.00	Bloom Nelson&Susan
267 470 31 42	1.00	CND	A	0.70	0.70	\$0.00	\$0.00	Carlson Angela
267 470 31 43	1.00	CND	A	0.70	0.70	\$0.00	\$0.00	Gallagher Kevin E&McClaine Carolyn S
267 470 31 44	1.00	CND	A	0.70	0.70	\$0.00	\$0.00	Mekaelian Paul M&Deborah M
267 470 31 45	1.00	CND	A	0.70	0.70	\$0.00	\$0.00	Nadelle Piper E
267 470 31 46	1.00	CND	A	0.70	0.70	\$0.00	\$0.00	White James&Frances Family Trust 07-27-99
267 470 31 47	1.00	CND	A	0.70	0.70	\$0.00	\$0.00	Herman Stephanie
267 470 31 48	1.00	CND	A	0.70	0.70	\$0.00	\$0.00	Nadvodski Family Trust 06-19-17
267 470 31 49	1.00	CND	A	0.70	0.70	\$0.00	\$0.00	Taylor Trust 05-04-92
267 470 31 50	1.00	CND	A	0.70	0.70	\$0.00	\$0.00	Majors Family Trust A 05-18-04
267 470 31 51	1.00	CND	A	0.70	0.70	\$0.00	\$0.00	Sardena Theodore I&Anne C
267 470 31 52	1.00	CND	A	0.70	0.70	\$0.00	\$0.00	Knight Dean&Cynthia Revocable Living Trust 06-07-10
267 470 31 53	1.00	CND	A	0.70	0.70	\$0.00	\$0.00	Cass Family Trust 07-11-91
267 470 31 54	1.00	CND	A	0.70	0.70	\$0.00	\$0.00	Goya Frederick A&Esther D
267 470 31 55	1.00	CND	A	0.70	0.70	\$0.00	\$0.00	Quisling Revocable Trust 06-16-99
267 470 32 00	20.33	STR	A	0.00	0.00	\$0.00	\$0.00	Calatlantic Group Inc
267 470 33 00	6.30	OSP	A	0.00	0.00	\$0.00	\$0.00	Spic Del Sur Llc
267 470 34 00	1.10	PKU	A	0.50	0.55	\$0.00	\$0.00	Auberge Community Assn
267 470 35 00	0.18	OSP	A	0.00	0.00	\$0.00	\$0.00	Calatlantic Group Inc
267 470 36 00	0.01	OSP	A	0.00	0.00	\$0.00	\$0.00	Calatlantic Group Inc
267 470 37 00	4.90	STR	A	0.00	0.00	\$0.00	\$0.00	Calatlantic Group Inc
267 470 38 00	0.99	OSP	A	0.00	0.00	\$0.00	\$0.00	Black Mountian Ranch Llc
267 471 01 00	1.00	SFD	A	1.00	1.00	\$0.00	\$0.00	Paley Family Trust 03-24-98

**EXHIBIT C - Assessment Roll (Fiscal Year 2020)**  
**Black Mountain Ranch North Maintenance Assessment District**

Parcel Number	Acres/ Units <sup>(1)</sup>	Land Use Code <sup>(2)</sup>	Zone	Land Use Factor <sup>(2)</sup>	Total EBUs	Unit Cost (\$/Ebu)	FY 2020 <sup>(3)</sup> Assessment	Owner Name
267 471 02 00	1.00	SFD	A	1.00	1.00	\$0.00	\$0.00	Dicovitsky Gary&Laura H Family Trust 02-06-14
267 471 03 00	1.00	SFD	A	1.00	1.00	\$0.00	\$0.00	Y J L Trust 12-01-86
267 471 04 00	1.00	SFD	A	1.00	1.00	\$0.00	\$0.00	Burdman Debra L Revocable Trust 05-24-07
267 471 05 00	1.00	SFD	A	1.00	1.00	\$0.00	\$0.00	Crystal Family Trust 08-20-97
267 471 06 00	1.00	SFD	A	1.00	1.00	\$0.00	\$0.00	Coulombe Family Trust 10-17-08
267 471 07 00	1.00	SFD	A	1.00	1.00	\$0.00	\$0.00	Gaskill Charles S&Susan K Family Trust 07-08-99
267 471 08 00	1.00	SFD	A	1.00	1.00	\$0.00	\$0.00	Mastaler Richard M Living Trust 08-18-94
267 471 09 00	1.00	SFD	A	1.00	1.00	\$0.00	\$0.00	Russell Alan&Pamela S
267 471 10 00	1.00	SFD	A	1.00	1.00	\$0.00	\$0.00	Bedell Terrence A&Pahler Karen L
267 471 11 00	1.00	SFD	A	1.00	1.00	\$0.00	\$0.00	Sharpe Peggy
267 471 12 00	1.00	SFD	A	1.00	1.00	\$0.00	\$0.00	Slattery Richard&Ninfa L
267 471 13 00	1.00	SFD	A	1.00	1.00	\$0.00	\$0.00	Thomas Nancy L Revocable Trust 07-26-00
267 471 14 00	1.00	SFD	A	1.00	1.00	\$0.00	\$0.00	Rajakumar Chandramohan&Gaffoor Sharifa B
267 471 15 00	1.00	SFD	A	1.00	1.00	\$0.00	\$0.00	Ewalt Family Trust 11-06-96
267 471 16 00	1.00	SFD	A	1.00	1.00	\$0.00	\$0.00	Davenport Clyde Trust 10-28-16
267 471 17 00	1.00	SFD	A	1.00	1.00	\$0.00	\$0.00	Macahilig Samuel C&Pilar A Trust 01-17-05
267 471 18 00	1.00	SFD	A	1.00	1.00	\$0.00	\$0.00	Lewandowski Martin&Chrisman Joanne
267 471 19 00	1.00	SFD	A	1.00	1.00	\$0.00	\$0.00	Hassidim Kamran&Theresa A Trust 06-01-89
267 471 20 00	1.00	SFD	A	1.00	1.00	\$0.00	\$0.00	Patterson Timothy D&Pamela K
267 471 21 00	1.00	SFD	A	1.00	1.00	\$0.00	\$0.00	Mendelsohn Ina
267 471 22 00	1.00	SFD	A	1.00	1.00	\$0.00	\$0.00	Volin Nancy
267 471 23 00	1.00	SFD	A	1.00	1.00	\$0.00	\$0.00	Greer Family Trust 06-08-05
267 471 24 00	1.00	SFD	A	1.00	1.00	\$0.00	\$0.00	Henkel Alan
267 471 25 00	1.00	SFD	A	1.00	1.00	\$0.00	\$0.00	Choi Tony K Family Trust 04-08-01
267 471 26 00	1.00	SFD	A	1.00	1.00	\$0.00	\$0.00	Cammeyer Ira&Adria Revocable Trust 12-21-05
267 471 27 00	1.00	SFD	A	1.00	1.00	\$0.00	\$0.00	Lutz Donna T Revocable Trust 04-20-82
267 471 28 00	1.00	SFD	A	1.00	1.00	\$0.00	\$0.00	Volsky Family Trust 12-11-14
267 471 29 00	1.00	SFD	A	1.00	1.00	\$0.00	\$0.00	Badewitz Ernst R&Harriet R Family Trust Of 2011 12-21-11
267 471 30 00	1.00	SFD	A	1.00	1.00	\$0.00	\$0.00	Williams Family Trust 05-05-04
267 471 31 00	1.00	SFD	A	1.00	1.00	\$0.00	\$0.00	Barron Family Trust 03-31-82
267 471 32 00	1.00	SFD	A	1.00	1.00	\$0.00	\$0.00	Ryan Dalon K&Wanda J Trust 08-23-89
267 471 33 00	1.00	SFD	A	1.00	1.00	\$0.00	\$0.00	Poon Survivors Living Trust 08-12-81
267 471 34 00	1.00	SFD	A	1.00	1.00	\$0.00	\$0.00	Panagos Family Revocable Trust 06-06-06
267 471 35 00	1.00	SFD	A	1.00	1.00	\$0.00	\$0.00	Huntalas Survivors Trust 11-11-16
267 471 36 00	1.00	SFD	A	1.00	1.00	\$0.00	\$0.00	Blando Eduardo F&Joanne B
267 471 37 00	1.00	SFD	A	1.00	1.00	\$0.00	\$0.00	Shookhoff Jay S&Ina
267 471 38 00	1.00	SFD	A	1.00	1.00	\$0.00	\$0.00	Kim Joon Bom&Oh Sik
267 471 39 00	1.00	SFD	A	1.00	1.00	\$0.00	\$0.00	Nourok David S&Marlene E
267 471 40 00	1.00	SFD	A	1.00	1.00	\$0.00	\$0.00	Lee Chungpin Jack
267 471 41 00	1.00	SFD	A	1.00	1.00	\$0.00	\$0.00	Deverill Eric D 1991 Family Trust 06-06-91
267 471 42 00	1.00	SFD	A	1.00	1.00	\$0.00	\$0.00	Snediker David L&Maria L
267 471 43 00	1.00	SFD	A	1.00	1.00	\$0.00	\$0.00	Vegunta Sree R
267 471 44 00	1.00	SFD	A	1.00	1.00	\$0.00	\$0.00	Woo Savio Lau-Yuen&Patricia Tak-Kit
267 471 45 00	1.00	SFD	A	1.00	1.00	\$0.00	\$0.00	Johnston Kim B&Marilyn J Revocable Trust 05-08-01
267 471 46 00	1.00	SFD	A	1.00	1.00	\$0.00	\$0.00	Hamilton Perry D&Sheila T
267 471 47 00	1.00	SFD	A	1.00	1.00	\$0.00	\$0.00	Tao Zhou Family Trust 08-27-09
267 471 48 00	1.00	SFD	A	1.00	1.00	\$0.00	\$0.00	Loughran 2008 Family Trust 10-23-08
267 471 49 00	1.00	SFD	A	1.00	1.00	\$0.00	\$0.00	Shelley Survivors Trust 08-15-84
267 471 50 00	1.00	SFD	A	1.00	1.00	\$0.00	\$0.00	Erickson Ned&Jeanene Family 2012 Trust 09-15-12
267 471 51 00	1.00	SFD	A	1.00	1.00	\$0.00	\$0.00	Vega Daniel&Elaine
267 471 52 00	1.00	SFD	A	1.00	1.00	\$0.00	\$0.00	Peck Trust 12-04-90
267 471 53 00	1.00	SFD	A	1.00	1.00	\$0.00	\$0.00	Mink Karleen
267 471 54 00	1.00	SFD	A	1.00	1.00	\$0.00	\$0.00	Hayes Family Trust B 08-02-78
267 471 55 00	1.00	SFD	A	1.00	1.00	\$0.00	\$0.00	Correnti Patrick S&Elizabeth A
267 471 56 00	1.00	SFD	A	1.00	1.00	\$0.00	\$0.00	Mort John A&Judith L
267 471 57 00	1.00	SFD	A	1.00	1.00	\$0.00	\$0.00	Jack&Beverly Family Trust 01-22-13
267 471 58 00	1.00	SFD	A	1.00	1.00	\$0.00	\$0.00	Lapinski Betty J Trust 06-13-17
267 471 59 00	1.00	SFD	A	1.00	1.00	\$0.00	\$0.00	Alavi Parvin Trust 02-16-12
267 471 60 00	1.00	SFD	A	1.00	1.00	\$0.00	\$0.00	Dyte Cynthia J 2008 Family Trust 02-25-08

**EXHIBIT C - Assessment Roll (Fiscal Year 2020)**  
**Black Mountain Ranch North Maintenance Assessment District**

Parcel Number	Acres/ Units <sup>(1)</sup>	Land Use Code <sup>(2)</sup>	Zone	Land Use Factor <sup>(2)</sup>	Total EBU's	Unit Cost (\$/EBU)	FY 2020 <sup>(3)</sup> Assessment	Owner Name
267 471 61 00	1.00	SFD	A	1.00	1.00	\$0.00	\$0.00	Brown Family Trust 09-05-97
267 471 62 01	1.00	SFD	A	1.00	1.00	\$0.00	\$0.00	Hawkes Patrick&Diane
267 471 62 02	1.00	SFD	A	1.00	1.00	\$0.00	\$0.00	Gautereaux Family 1993 Revocable Trust 03-26-93
267 471 62 03	1.00	SFD	A	1.00	1.00	\$0.00	\$0.00	Last-Small Family Trust 07-06-12
267 471 62 04	1.00	SFD	A	1.00	1.00	\$0.00	\$0.00	Midura David B&Rose T
267 471 62 05	1.00	SFD	A	1.00	1.00	\$0.00	\$0.00	Seiss H Michael&Susan L Family Trust 11-18-04
267 471 62 06	1.00	SFD	A	1.00	1.00	\$0.00	\$0.00	Goodman Michael&Bat Zion
267 471 63 01	1.00	SFD	A	1.00	1.00	\$0.00	\$0.00	Nemchock Thomas J&Allen Lori J
267 471 63 02	1.00	SFD	A	1.00	1.00	\$0.00	\$0.00	Schneider Clara E D Living Trust 09-08-00
267 471 63 03	1.00	SFD	A	1.00	1.00	\$0.00	\$0.00	Carson Peter A&Ling Wei
267 471 63 04	1.00	SFD	A	1.00	1.00	\$0.00	\$0.00	Chang Howard C&Dawn S
267 471 63 05	1.00	SFD	A	1.00	1.00	\$0.00	\$0.00	Grant John J Trust 10-23-15
267 471 63 06	1.00	SFD	A	1.00	1.00	\$0.00	\$0.00	Harris Family Trust 03-26-04
267 471 63 07	1.00	SFD	A	1.00	1.00	\$0.00	\$0.00	Cohen Claudia Trust 05-21-12
267 471 63 08	1.00	SFD	A	1.00	1.00	\$0.00	\$0.00	Ratnayaka Naline M
267 471 63 09	1.00	SFD	A	1.00	1.00	\$0.00	\$0.00	Carson Barbara M
267 471 63 10	1.00	SFD	A	1.00	1.00	\$0.00	\$0.00	Fontaine Robert A&Rebecca S Trust 07-29-86
267 471 63 11	1.00	SFD	A	1.00	1.00	\$0.00	\$0.00	Forrest Steven B Revocable Living Trust 02-06-03
267 471 63 12	1.00	SFD	A	1.00	1.00	\$0.00	\$0.00	Forrest Laurie B Living Trust 11-05-03
267 471 63 13	1.00	SFD	A	1.00	1.00	\$0.00	\$0.00	Morales Emil D&Jody A
267 471 63 14	1.00	SFD	A	1.00	1.00	\$0.00	\$0.00	Sykes Family Trust 02-01-94
267 471 63 15	1.00	SFD	A	1.00	1.00	\$0.00	\$0.00	Fox K&G Family Trust 03-17-14
267 471 64 00	0.97	OSP	A	0.00	0.00	\$0.00	\$0.00	Calatlantic Group Inc
267 471 65 00	0.02	OSP	A	0.00	0.00	\$0.00	\$0.00	Calatlantic Group Inc
267 471 66 00	0.01	OSP	A	0.00	0.00	\$0.00	\$0.00	Calatlantic Group Inc
267 471 67 00	0.01	OSP	A	0.00	0.00	\$0.00	\$0.00	Calatlantic Group Inc
267 471 68 00	0.23	PKU	A	0.50	0.12	\$0.00	\$0.00	Calatlantic Group Inc
267 471 69 00	0.52	STR	A	0.00	0.00	\$0.00	\$0.00	Calatlantic Group Inc
267 471 70 00	1.57	STR	A	0.00	0.00	\$0.00	\$0.00	Calatlantic Group Inc
267 472 01 00	1.00	SFD	A	1.00	1.00	\$0.00	\$0.00	Tung John Revocable Trust 01-14-97
267 472 02 00	1.00	SFD	A	1.00	1.00	\$0.00	\$0.00	Birnbaum Dean J&Cassi L Family Trust 02-07-94
267 472 03 00	1.00	SFD	A	1.00	1.00	\$0.00	\$0.00	Haddow Daniel P&Oleary Isabella J
267 472 04 00	1.00	SFD	A	1.00	1.00	\$0.00	\$0.00	Tuetken Family Trust 06-02-99
267 472 05 00	1.00	SFD	A	1.00	1.00	\$0.00	\$0.00	Jackson Keith&Janet Trust 12-06-07
267 472 06 00	1.00	SFD	A	1.00	1.00	\$0.00	\$0.00	Weatherford Living Trust 06-14-89
267 472 07 00	1.00	SFD	A	1.00	1.00	\$0.00	\$0.00	Young Kenneth O&Louise M Living Trust 04-01-05
267 472 08 00	1.00	SFD	A	1.00	1.00	\$0.00	\$0.00	Amberg Trust 04-02-14
267 472 09 00	1.00	SFD	A	1.00	1.00	\$0.00	\$0.00	Culver John D Jr&Theresa M
267 472 10 00	1.00	SFD	A	1.00	1.00	\$0.00	\$0.00	Gonzalez Carmen M Trust 02-01-02
267 472 11 00	1.00	SFD	A	1.00	1.00	\$0.00	\$0.00	Skolnick Paul&Corie Living Trust 11-20-98
267 472 12 00	1.00	SFD	A	1.00	1.00	\$0.00	\$0.00	Isgur Sara N Revocable Trust 05-13-08
267 472 13 00	1.00	SFD	A	1.00	1.00	\$0.00	\$0.00	Hansen Kristine J 1992 Trust 04-29-92
267 472 14 00	1.00	SFD	A	1.00	1.00	\$0.00	\$0.00	Sheets Dale R&Monica K
267 472 15 00	1.00	SFD	A	1.00	1.00	\$0.00	\$0.00	Magid Bruce&Alexis L
267 472 16 00	1.00	SFD	A	1.00	1.00	\$0.00	\$0.00	Klein Family Trust 12-14-05
267 472 17 00	1.00	SFD	A	1.00	1.00	\$0.00	\$0.00	Eberhard Family Trust 08-04-10
267 472 18 00	1.00	SFD	A	1.00	1.00	\$0.00	\$0.00	Smith Carl&Elaine Family Trust 10-24-88
267 472 19 00	1.00	SFD	A	1.00	1.00	\$0.00	\$0.00	Riggs Family Trust 06-02-99
267 472 20 00	1.00	SFD	A	1.00	1.00	\$0.00	\$0.00	Schmaltz Thomas&Debra Trust 03-19-14
267 472 21 00	1.00	SFD	A	1.00	1.00	\$0.00	\$0.00	Nazar Jose E&Sabra K
267 472 22 00	1.00	SFD	A	1.00	1.00	\$0.00	\$0.00	Pierro 1990 Trust 12-27-90
267 472 23 00	1.00	SFD	A	1.00	1.00	\$0.00	\$0.00	Zhu Jim Q&Gong Xiaomei
267 472 24 00	1.00	SFD	A	1.00	1.00	\$0.00	\$0.00	Bell Family Trust 80-20-13
267 472 25 00	1.00	SFD	A	1.00	1.00	\$0.00	\$0.00	Alessi Family Trust 09-09-04
267 472 26 00	1.00	SFD	A	1.00	1.00	\$0.00	\$0.00	Reiter Richard H Trust 05-02-95
267 472 27 00	1.00	SFD	A	1.00	1.00	\$0.00	\$0.00	Schaefer Family Revocable Living Trust
267 472 28 00	1.00	SFD	A	1.00	1.00	\$0.00	\$0.00	Fick Edward L&Karen J
267 472 29 00	1.00	SFD	A	1.00	1.00	\$0.00	\$0.00	Hall/Sorem Family Trust 12-07-16
267 472 30 00	1.00	SFD	A	1.00	1.00	\$0.00	\$0.00	Yam Eric&Maria Family 2013 Trust 04-06-13

**EXHIBIT C - Assessment Roll (Fiscal Year 2020)**  
**Black Mountain Ranch North Maintenance Assessment District**

Parcel Number	Acres/ Units <sup>(1)</sup>	Land Use Code <sup>(2)</sup>	Zone	Land Use Factor <sup>(2)</sup>	Total EBU's	Unit Cost (\$/EBU)	FY 2020 <sup>(3)</sup> Assessment	Owner Name
267 472 31 00	1.00	SFD	A	1.00	1.00	\$0.00	\$0.00	Finger Stephen&Susan B
267 472 32 00	1.00	SFD	A	1.00	1.00	\$0.00	\$0.00	Blumen Jeffrey&Arleen
267 472 33 00	1.00	SFD	A	1.00	1.00	\$0.00	\$0.00	Rahmani Shahpar M <Dd>
267 472 34 00	1.00	SFD	A	1.00	1.00	\$0.00	\$0.00	Lee Family Trust 04-23-14
267 472 35 00	1.00	SFD	A	1.00	1.00	\$0.00	\$0.00	Wickstrom Nils W&Tullius Patricia L
267 472 36 00	1.00	SFD	A	1.00	1.00	\$0.00	\$0.00	Hose Eddy&Dmunit Revocable Living Trust 09-24-07
267 472 37 00	1.00	SFD	A	1.00	1.00	\$0.00	\$0.00	Jereza Romulo G&Elenita T
267 472 38 00	1.00	SFD	A	1.00	1.00	\$0.00	\$0.00	Coley Family Trust 01-05-04
267 472 39 00	1.00	SFD	A	1.00	1.00	\$0.00	\$0.00	Baughn Family Trust 04-29-02
267 472 40 00	0.14	OSP	A	0.00	0.00	\$0.00	\$0.00	Auberge Community Assn
267 472 41 00	0.04	OSP	A	0.00	0.00	\$0.00	\$0.00	Auberge Community Assn
267 472 42 00	0.01	OSP	A	0.00	0.00	\$0.00	\$0.00	Calatlantic Group Inc
678 230 19 00	2.61	OSP	A	0.00	0.00	\$0.00	\$0.00	Black Mountain Ranch L L C
678 230 20 00	4.54	OSP	A	0.00	0.00	\$0.00	\$0.00	Black Mountain Ranch L L C
678 230 21 00	5.39	OSP	A	0.00	0.00	\$0.00	\$0.00	Black Mountain Ranch L L C
678 230 39 00	180.00	MFR	H	0.70	126.00	\$0.00	\$0.00	Fairbanks Commons C I C L P
678 230 40 00	40.05	EPS	H	5.00	200.25	\$0.00	\$0.00	Poway Unified School District
678 230 44 00	21.71	EPS	F	5.00	108.55	\$0.00	\$0.00	Poway Unified School District
678 230 46 00	3.53	COM	F	45.00	158.85	\$0.00	\$0.00	San Diego Gas&Electric Co
678 230 48 00	100.00	MFR	F	0.70	70.00	\$0.00	\$0.00	Fairbanks Square C I C Lp
678 230 49 00	146.17	OSP	A	0.00	0.00	\$0.00	\$0.00	Black Mountain Ranch L L C
678 231 01 00	1.00	SFD	H	1.00	1.00	\$0.00	\$0.00	Benny Michael&Samar Y
678 231 02 00	1.00	SFD	H	1.00	1.00	\$0.00	\$0.00	Rosness Melissa Family Trust 08-05-16
678 231 03 00	1.00	SFD	H	1.00	1.00	\$0.00	\$0.00	Tang Yiwei&Deng Yun
678 231 04 00	1.00	SFD	H	1.00	1.00	\$0.00	\$0.00	Jones Dallas&Amy L
678 231 05 00	1.00	SFD	H	1.00	1.00	\$0.00	\$0.00	Maiti Banikumar&Manisha
678 231 06 00	1.00	SFD	H	1.00	1.00	\$0.00	\$0.00	Mondal Shyama P&Roy Rumela
678 231 07 00	1.00	SFD	H	1.00	1.00	\$0.00	\$0.00	Betts Family Trust 02-15-16
678 231 08 00	1.00	SFD	H	1.00	1.00	\$0.00	\$0.00	Mohan Ashwin&Venkitaraman Priya M
678 231 09 00	1.00	SFD	H	1.00	1.00	\$0.00	\$0.00	Bhatia Amit&Sangar Samriti
678 231 10 00	1.00	SFD	H	1.00	1.00	\$0.00	\$0.00	Selvamani Rajasekaran&Kuppan Premalatha
678 231 11 00	1.00	SFD	H	1.00	1.00	\$0.00	\$0.00	Kumarswamy Preetham&Chakrasali Nagaveena
678 231 12 00	1.00	SFD	H	1.00	1.00	\$0.00	\$0.00	Chen Yi Tsang&Huang Hsin Yi
678 231 13 00	1.00	SFD	H	1.00	1.00	\$0.00	\$0.00	Moskowitz Larry J Separate Property Trust 05-09-17
678 231 14 00	1.00	SFD	H	1.00	1.00	\$0.00	\$0.00	Preece Todd W&Vejar-Preece Karla
678 231 15 00	1.00	SFD	H	1.00	1.00	\$0.00	\$0.00	Guan Rongchang&Cen Xiaoping
678 231 16 00	1.00	SFD	H	1.00	1.00	\$0.00	\$0.00	Vu Dale&Sandy
678 231 17 00	1.00	SFD	H	1.00	1.00	\$0.00	\$0.00	Azar Samak L&Fabiani Tania
678 231 18 00	1.00	SFD	H	1.00	1.00	\$0.00	\$0.00	Yang Zhongwei&Wang Hongjun
678 231 19 00	1.00	SFD	H	1.00	1.00	\$0.00	\$0.00	Shah Resham B Trust 02-23-04
678 231 20 00	1.00	SFD	H	1.00	1.00	\$0.00	\$0.00	Pampati Phanibhushan Rao&Keshetty Lavanya
678 231 21 00	1.00	SFD	H	1.00	1.00	\$0.00	\$0.00	Buell Frank R&Sheryee
678 231 22 00	1.00	SFD	H	1.00	1.00	\$0.00	\$0.00	Johnson Michael Eugene&Shandi Onise Smith
678 231 23 00	1.00	SFD	H	1.00	1.00	\$0.00	\$0.00	Poorman Jacob&Fakhrai Diana
678 231 24 00	1.00	SFD	H	1.00	1.00	\$0.00	\$0.00	Ma Ruhong&Butts Melissa S
678 231 25 00	1.00	SFD	H	1.00	1.00	\$0.00	\$0.00	Kelley John&Cynthia
678 231 26 00	1.00	SFD	H	1.00	1.00	\$0.00	\$0.00	Park Dongmin&Ju Youngeun
678 231 27 00	1.00	SFD	H	1.00	1.00	\$0.00	\$0.00	Chen Yu&Ge Xuan
678 231 28 00	1.00	SFD	H	1.00	1.00	\$0.00	\$0.00	Cheng Zhongming&Liu Qiong
678 231 29 00	1.00	SFD	H	1.00	1.00	\$0.00	\$0.00	Tran 2014 Family Trust 03-11-14
678 231 30 00	1.00	SFD	H	1.00	1.00	\$0.00	\$0.00	Wang Zhijin&Chen Haiqin
678 231 31 00	1.00	SFD	H	1.00	1.00	\$0.00	\$0.00	Venkatesan Sathish&Vijayaraghavan Vaidehi D
678 231 32 00	1.00	SFD	H	1.00	1.00	\$0.00	\$0.00	Chauhan Ajaykumar B&Priyal A
678 231 33 00	1.00	SFD	H	1.00	1.00	\$0.00	\$0.00	Narayana Prasad C&Ravikumar Kavya B
678 231 34 00	1.00	SFD	H	1.00	1.00	\$0.00	\$0.00	Beeghley Darin M&Sandra K
678 231 35 00	1.00	SFD	H	1.00	1.00	\$0.00	\$0.00	Baker Jedediah S&Perez Maria J Z
678 231 36 00	1.00	SFD	H	1.00	1.00	\$0.00	\$0.00	Chase Lawrence
678 231 37 00	1.00	SFD	H	1.00	1.00	\$0.00	\$0.00	Patel Pankaj J&Kinjal P
678 231 38 00	0.08	STR	H	0.00	0.00	\$0.00	\$0.00	Black Mountain Ranch L L C



**EXHIBIT C - Assessment Roll (Fiscal Year 2020)**  
**Black Mountain Ranch North Maintenance Assessment District**

Parcel Number	Acres/ Units <sup>(1)</sup>	Land Use Code <sup>(2)</sup>	Zone	Land Use Factor <sup>(2)</sup>	Total EBUs	Unit Cost (\$/Ebu)	FY 2020 <sup>(3)</sup> Assessment	Owner Name
678 231 39 00	0.36	OSP	H	0.00	0.00	\$0.00	\$0.00	Del Sur Community Assn
678 231 40 00	0.01	UND	H	0.00	0.00	\$0.00	\$0.00	Del Sur Community Assn
678 232 01 00	1.00	SFD	H	1.00	1.00	\$0.00	\$0.00	Siragusa Eric J&Susan M
678 232 02 00	1.00	SFD	H	1.00	1.00	\$0.00	\$0.00	Etienne Family Trust 02-24-16
678 232 03 00	1.00	SFD	H	1.00	1.00	\$0.00	\$0.00	Vanvaley Michael&Patricia R
678 232 04 00	1.00	SFD	H	1.00	1.00	\$0.00	\$0.00	Butler Ian B&Jihyun
678 232 05 00	1.00	SFD	H	1.00	1.00	\$0.00	\$0.00	Gilson Jerome&Winkin Laura
678 232 06 00	1.00	SFD	H	1.00	1.00	\$0.00	\$0.00	Kwon Yong&Jeanie Jiahn
678 232 07 00	1.00	SFD	H	1.00	1.00	\$0.00	\$0.00	Kottilingal Sudeep R&Sudeep Chandni
678 232 08 00	1.00	SFD	H	1.00	1.00	\$0.00	\$0.00	Wu Xiaotie&Lu Jie
678 232 09 00	1.00	SFD	H	1.00	1.00	\$0.00	\$0.00	Le Co K&My P <Dd>
678 232 10 00	1.00	SFD	H	1.00	1.00	\$0.00	\$0.00	Zuo Chengjie&Chen Mengke
678 232 11 00	1.00	SFD	H	1.00	1.00	\$0.00	\$0.00	Weerakkody Sadith L&Wickramarathna Thamali D
678 232 12 00	1.00	SFD	H	1.00	1.00	\$0.00	\$0.00	Zhao Jian&Zhang Yanting Living Trust
678 232 13 00	1.00	SFD	H	1.00	1.00	\$0.00	\$0.00	Cornick Matthew T&Namrata U
678 232 14 00	1.00	SFD	H	1.00	1.00	\$0.00	\$0.00	Beg Mirza K&Khurram Huma
678 232 15 00	1.00	SFD	H	1.00	1.00	\$0.00	\$0.00	Burnett Nathan J&Erika L
678 232 16 00	1.00	SFD	H	1.00	1.00	\$0.00	\$0.00	Roux John A&Sabrina K
678 232 17 00	1.00	SFD	H	1.00	1.00	\$0.00	\$0.00	Zheng Tianji&Zhong Ken
678 232 18 00	1.00	SFD	H	1.00	1.00	\$0.00	\$0.00	Ingram John P Iii&Lori T
678 232 19 00	1.00	SFD	H	1.00	1.00	\$0.00	\$0.00	Palakodety Ravi&Kalpana
678 232 20 00	1.00	SFD	H	1.00	1.00	\$0.00	\$0.00	Shah Jigneshkumar P&Palak
678 232 21 00	1.00	SFD	H	1.00	1.00	\$0.00	\$0.00	Fry Andrew H&Sabrina
678 232 22 00	1.00	SFD	H	1.00	1.00	\$0.00	\$0.00	Bhatti Kashif&Amin Maria
678 232 23 00	1.00	SFD	H	1.00	1.00	\$0.00	\$0.00	Kim Family Trust 03-23-16
678 232 24 00	1.00	SFD	H	1.00	1.00	\$0.00	\$0.00	Chaplin Torrance&Shafiei Sharareh
678 232 25 00	1.00	SFD	H	1.00	1.00	\$0.00	\$0.00	Bercovitch-Ishimoto Family Trust 10-15-15
678 232 26 00	1.00	SFD	H	1.00	1.00	\$0.00	\$0.00	Citerony Family Trust 02-10-17
678 232 27 00	1.00	SFD	H	1.00	1.00	\$0.00	\$0.00	Weis Jonathan&Jena
678 232 28 00	1.00	SFD	H	1.00	1.00	\$0.00	\$0.00	Beldin Lia Trust 10-15-13
678 232 29 00	1.00	SFD	H	1.00	1.00	\$0.00	\$0.00	Saini Ashwani
678 232 30 00	1.00	SFD	H	1.00	1.00	\$0.00	\$0.00	Eichenfield Matthew&Dawn
678 232 31 00	1.00	SFD	H	1.00	1.00	\$0.00	\$0.00	Gaurav Family Trust 11-30-17
678 232 32 00	1.00	SFD	H	1.00	1.00	\$0.00	\$0.00	Cutler Michael L&Kuzmenko Iulia
678 232 33 00	1.00	SFD	H	1.00	1.00	\$0.00	\$0.00	Hayes Michael F&Kelly N
678 232 34 00	1.00	SFD	H	1.00	1.00	\$0.00	\$0.00	Lai Tina L
678 232 35 00	1.00	SFD	H	1.00	1.00	\$0.00	\$0.00	Soong John
678 232 36 00	1.00	SFD	H	1.00	1.00	\$0.00	\$0.00	Jeong Claire H
678 232 37 00	1.00	SFD	H	1.00	1.00	\$0.00	\$0.00	Miller Joel B&Madison E
678 232 38 00	1.00	SFD	H	1.00	1.00	\$0.00	\$0.00	Zhao Chunmei&Sun Huaiyu
678 232 39 00	1.00	SFD	H	1.00	1.00	\$0.00	\$0.00	Brandon Clayton&Ly Lien
678 232 40 00	1.00	SFD	H	1.00	1.00	\$0.00	\$0.00	Chu Eddy&Li Maggie
678 232 41 00	1.00	SFD	H	1.00	1.00	\$0.00	\$0.00	King Raymond C&Charlene H
678 232 42 00	1.00	SFD	H	1.00	1.00	\$0.00	\$0.00	Sirohi Kapil&Archana
678 232 43 00	1.00	SFD	H	1.00	1.00	\$0.00	\$0.00	Castano Neremiah&Joy 2013 Family Trust
678 232 44 00	1.00	SFD	H	1.00	1.00	\$0.00	\$0.00	Rosen Kevin C
678 232 45 00	1.00	SFD	H	1.00	1.00	\$0.00	\$0.00	Vishwanathan Harish&Kripanidhi Adithi
678 232 46 00	1.00	SFD	H	1.00	1.00	\$0.00	\$0.00	Woo Seung Hyun&Chun Sung Ik
678 232 47 00	1.00	SFD	H	1.00	1.00	\$0.00	\$0.00	Kuhar James J&McClure-Kuhar Jessica
678 232 48 00	1.00	SFD	H	1.00	1.00	\$0.00	\$0.00	Hussain Ali S&Mariam
678 232 49 00	1.00	SFD	H	1.00	1.00	\$0.00	\$0.00	Wei Hongfeng
678 232 50 00	1.00	SFD	H	1.00	1.00	\$0.00	\$0.00	Hwang Insoo&Kim Jinyoung
678 232 51 00	1.00	SFD	H	1.00	1.00	\$0.00	\$0.00	Deguzman Family Trust 07-22-14
678 232 52 00	1.00	SFD	H	1.00	1.00	\$0.00	\$0.00	Nichols Michael&Christina
678 232 53 00	1.00	SFD	H	1.00	1.00	\$0.00	\$0.00	Nowak Daron J&Rebecca
678 232 54 00	1.00	SFD	H	1.00	1.00	\$0.00	\$0.00	Vootukuru Anil
678 232 55 00	1.00	SFD	H	1.00	1.00	\$0.00	\$0.00	Sarralde Juan P&Yuby A
678 232 56 00	1.00	SFD	H	1.00	1.00	\$0.00	\$0.00	Wei Yonghua&Ji Huijuan
678 232 57 00	1.00	SFD	H	1.00	1.00	\$0.00	\$0.00	Choubey Ashish&Aradhana

**EXHIBIT C - Assessment Roll (Fiscal Year 2020)**  
**Black Mountain Ranch North Maintenance Assessment District**

Parcel Number	Acres/ Units <sup>(1)</sup>	Land Use Code <sup>(2)</sup>	Zone	Land Use Factor <sup>(2)</sup>	Total EBU's	Unit Cost (\$/EBU)	FY 2020 <sup>(3)</sup> Assessment	Owner Name
678 232 58 00	1.00	SFD	H	1.00	1.00	\$0.00	\$0.00	Bhatnagar Nitin&Pallavi
678 232 59 00	1.00	SFD	H	1.00	1.00	\$0.00	\$0.00	Selthuram Saiprasad&Muralidhara Sowmya
678 232 60 00	1.00	SFD	H	1.00	1.00	\$0.00	\$0.00	Moncharsh Jacob&Ferrari Susan
678 232 61 00	1.00	SFD	H	1.00	1.00	\$0.00	\$0.00	Sriramoju Rajanikanth&Tangellapally Mounika
678 232 62 00	1.00	SFD	H	1.00	1.00	\$0.00	\$0.00	Tyagi Abhishek&Dalvi Ambalika R
678 232 63 00	1.00	SFD	H	1.00	1.00	\$0.00	\$0.00	Rajashekhar Jayashree Living Trust 12-21-17
678 232 64 00	1.00	SFD	H	1.00	1.00	\$0.00	\$0.00	Shea Family Trust 05-02-14
678 232 65 00	1.00	SFD	H	1.00	1.00	\$0.00	\$0.00	Adamczyk Thomas H
678 232 66 00	1.00	SFD	H	1.00	1.00	\$0.00	\$0.00	Caballes Joehn S&Therese C
678 232 67 00	1.00	SFD	H	1.00	1.00	\$0.00	\$0.00	Raman Arun&Krishnamurthy Chitra
678 232 68 00	1.00	SFD	H	1.00	1.00	\$0.00	\$0.00	Hardin Justin&Robles Paola
678 232 69 00	1.00	SFD	H	1.00	1.00	\$0.00	\$0.00	Green Marjan Trust 12-05-16
678 232 70 00	1.00	SFD	H	1.00	1.00	\$0.00	\$0.00	Hughes Christopher J&Barnes Mary R
678 232 71 00	1.00	SFD	H	1.00	1.00	\$0.00	\$0.00	Shah Kunal R&Shruti
678 232 72 00	1.00	SFD	H	1.00	1.00	\$0.00	\$0.00	Prakash Ramana B
678 232 73 00	1.00	SFD	H	1.00	1.00	\$0.00	\$0.00	Oviedo Raul&Tamayo Maithe F
678 232 74 00	1.00	SFD	H	1.00	1.00	\$0.00	\$0.00	Jaikumar Selvaraj&Rekha
678 232 75 00	1.00	SFD	H	1.00	1.00	\$0.00	\$0.00	Jacobs Family Trust 11-11-16
678 232 76 00	1.00	SFD	H	1.00	1.00	\$0.00	\$0.00	Tkanchi Jila
678 232 77 00	1.00	SFD	H	1.00	1.00	\$0.00	\$0.00	Alfano Jeffrey J&Misa
678 232 78 00	1.00	SFD	H	1.00	1.00	\$0.00	\$0.00	Courter Donald L&Joanna Cheung-Yan Law Revocable T
678 232 79 00	1.00	SFD	H	1.00	1.00	\$0.00	\$0.00	Kulkarni Shailendra&Sangeeta
678 232 80 00	1.00	SFD	H	1.00	1.00	\$0.00	\$0.00	Yancey George D II&Klea
678 232 81 00	1.00	SFD	H	1.00	1.00	\$0.00	\$0.00	Mrozek 2012 Family Trust 02-07-12
678 232 82 00	1.59	PKU	H	0.50	0.80	\$0.00	\$0.00	Del Sur Community Association
678 232 83 00	0.31	OSP	H	0.00	0.00	\$0.00	\$0.00	Del Sur Community Association
678 233 01 00	1.00	SFD	H	1.00	1.00	\$0.00	\$0.00	Hayatt Samuel
678 233 02 00	1.00	SFD	H	1.00	1.00	\$0.00	\$0.00	Cresto Mark V&Jillian
678 233 03 00	1.00	SFD	H	1.00	1.00	\$0.00	\$0.00	Shah Sandeep J&Patel Swati K
678 233 04 00	1.00	SFD	H	1.00	1.00	\$0.00	\$0.00	Chodorow Devin S&Jessica G
678 233 05 00	1.00	SFD	H	1.00	1.00	\$0.00	\$0.00	Scheinblum Family Trust 08-19-14
678 233 06 00	1.00	SFD	H	1.00	1.00	\$0.00	\$0.00	Meierhofer Stefan&Kim
678 233 07 00	1.00	SFD	H	1.00	1.00	\$0.00	\$0.00	Chinnock Adam S&Molly L
678 233 08 00	1.00	SFD	H	1.00	1.00	\$0.00	\$0.00	Parthasarathy Family Trust 11-09-14
678 233 09 00	1.00	SFD	H	1.00	1.00	\$0.00	\$0.00	King Patrick J&Wang Yanling
678 233 10 00	1.00	SFD	H	1.00	1.00	\$0.00	\$0.00	Weinstock Nick&Iris Trust 11-20-14
678 233 11 00	1.00	SFD	H	1.00	1.00	\$0.00	\$0.00	Guzenski Andrew A&Leah C
678 233 12 00	1.00	SFD	H	1.00	1.00	\$0.00	\$0.00	Watson Thomas R&Vassey Nicole
678 233 13 00	1.00	SFD	H	1.00	1.00	\$0.00	\$0.00	Bi Xiaoyan
678 233 14 00	1.00	SFD	H	1.00	1.00	\$0.00	\$0.00	Weisfeld Family Trust 06-19-17
678 233 15 00	1.00	SFD	H	1.00	1.00	\$0.00	\$0.00	Kou Bohua
678 233 16 00	1.00	SFD	H	1.00	1.00	\$0.00	\$0.00	Wu Po-Chin John&Kim Jua
678 233 17 00	1.00	SFD	H	1.00	1.00	\$0.00	\$0.00	Markus Mikko&Brynan Johanna
678 233 18 00	1.00	SFD	H	1.00	1.00	\$0.00	\$0.00	Kwan Derek D
678 233 19 00	1.00	SFD	H	1.00	1.00	\$0.00	\$0.00	Pragasam Dharmaraj&Dharmaraj Mary P
678 233 20 00	1.00	SFD	H	1.00	1.00	\$0.00	\$0.00	Samuthiram Karthik&Karthik Radhika
678 233 21 00	1.00	SFD	H	1.00	1.00	\$0.00	\$0.00	Wu Kun&Zheng Yi Jenny
678 233 22 00	1.00	SFD	H	1.00	1.00	\$0.00	\$0.00	Sapkal Dnyandeo T&Anjali D
678 233 23 00	1.00	SFD	H	1.00	1.00	\$0.00	\$0.00	Desai Bhavan Y&Aagna U
678 233 24 00	1.00	SFD	H	1.00	1.00	\$0.00	\$0.00	Cutter Ryan&June Living Trust 10-22-13
678 233 25 00	1.00	SFD	H	1.00	1.00	\$0.00	\$0.00	Whitwell Thomas L&Kathryn M
678 233 26 00	1.00	SFD	H	1.00	1.00	\$0.00	\$0.00	Thach Robert&Tran Nancy
678 233 27 00	1.00	SFD	H	1.00	1.00	\$0.00	\$0.00	Sherod Francesco&Natalie M
678 233 28 00	1.00	SFD	H	1.00	1.00	\$0.00	\$0.00	Church David P&Carla S
678 233 29 00	1.00	SFD	H	1.00	1.00	\$0.00	\$0.00	Peterson Bruce E&Melanie A
678 233 30 00	1.00	SFD	H	1.00	1.00	\$0.00	\$0.00	Ngo Albert M&Jennifer C
678 233 31 00	1.00	SFD	H	1.00	1.00	\$0.00	\$0.00	Bajwa Fizzah&Ozair
678 233 32 00	1.00	SFD	H	1.00	1.00	\$0.00	\$0.00	Kaufman Family Trust 07-12-11
678 233 33 00	1.00	SFD	H	1.00	1.00	\$0.00	\$0.00	Puliady Jaswant B&Sangeetha J Revocable Family Trust C

**EXHIBIT C - Assessment Roll (Fiscal Year 2020)**  
**Black Mountain Ranch North Maintenance Assessment District**

Parcel Number	Acres/ Units <sup>(1)</sup>	Land Use Code <sup>(2)</sup>	Zone	Land Use Factor <sup>(2)</sup>	Total EBU's	Unit Cost (\$/EBU)	FY 2020 <sup>(3)</sup> Assessment	Owner Name
678 233 34 00	1.00	SFD	H	1.00	1.00	\$0.00	\$0.00	Kumar&Vedantam Family Trust 02-13-15
678 233 35 00	1.00	SFD	H	1.00	1.00	\$0.00	\$0.00	Tullius Lance&Jennifer Revocable Living Trust 02-08-08
678 233 36 00	1.00	SFD	H	1.00	1.00	\$0.00	\$0.00	Osburn Evelyn
678 233 37 00	1.00	SFD	H	1.00	1.00	\$0.00	\$0.00	Hicks Elliot
678 233 38 00	1.00	SFD	H	1.00	1.00	\$0.00	\$0.00	Piracha Kasha&Maryam K
678 233 39 00	1.00	SFD	H	1.00	1.00	\$0.00	\$0.00	Walker Family Trust 09-02-14
678 233 40 00	1.00	SFD	H	1.00	1.00	\$0.00	\$0.00	Li Lyon&Ren Minrong
678 233 41 00	1.00	SFD	H	1.00	1.00	\$0.00	\$0.00	Hasan Syed Z U&Parvez S P S Z U
678 233 42 00	1.00	SFD	H	1.00	1.00	\$0.00	\$0.00	Cheng Ching-Ying&Yang Rue-Er
678 233 43 00	1.00	SFD	H	1.00	1.00	\$0.00	\$0.00	Glazner Matthew T&Courtney
678 233 44 00	1.00	SFD	H	1.00	1.00	\$0.00	\$0.00	Vahia Varin S&Bhatt Kadambi U
678 233 45 00	1.00	SFD	H	1.00	1.00	\$0.00	\$0.00	Lee Daniel S0Nghak&Kim Yanghee
678 233 46 00	1.00	SFD	H	1.00	1.00	\$0.00	\$0.00	Tan Jun&Bao Mingji
678 233 47 00	1.00	SFD	H	1.00	1.00	\$0.00	\$0.00	Zyman Family Trust 10-28-14
678 233 48 00	1.00	SFD	H	1.00	1.00	\$0.00	\$0.00	Saini Kamaljit K
678 233 49 00	1.00	SFD	H	1.00	1.00	\$0.00	\$0.00	Hosmani Jagadeesh&Girwalker Ashwini
678 233 50 00	1.00	SFD	H	1.00	1.00	\$0.00	\$0.00	Chung Bok Chul
678 233 51 00	1.00	SFD	H	1.00	1.00	\$0.00	\$0.00	Kumar Atin&Bhatnagar Meghna
678 233 52 00	1.00	SFD	H	1.00	1.00	\$0.00	\$0.00	Cheah Benjamin
678 233 53 00	1.00	SFD	H	1.00	1.00	\$0.00	\$0.00	Castronovo Arthur J&Loren J
678 233 54 00	1.00	SFD	H	1.00	1.00	\$0.00	\$0.00	Monday Family Trust 12-30-14
678 233 55 00	1.00	SFD	H	1.00	1.00	\$0.00	\$0.00	Cordell Timothy&Lara Revocable Living Trust 02-05-10
678 233 56 00	0.11	OSP	H	0.00	0.00	\$0.00	\$0.00	Del Sur Community Assn
678 234 01 00	1.00	SFD	H	1.00	1.00	\$0.00	\$0.00	Min Bohui
678 234 02 00	1.00	SFD	H	1.00	1.00	\$0.00	\$0.00	Gross Daryl J&Lael
678 234 03 00	1.00	SFD	H	1.00	1.00	\$0.00	\$0.00	Bhakta Roshan C&Shruti R
678 234 04 00	1.00	SFD	H	1.00	1.00	\$0.00	\$0.00	Plishner Family Trust 11-13-15
678 234 05 00	1.00	SFD	H	1.00	1.00	\$0.00	\$0.00	Hayek Brian J&Ashley A
678 234 06 00	1.00	SFD	H	1.00	1.00	\$0.00	\$0.00	Singh Family Living Trust 04-07-16
678 234 07 00	1.00	SFD	H	1.00	1.00	\$0.00	\$0.00	Gautam Manish&Jaiswal Ekta
678 234 08 00	1.00	SFD	H	1.00	1.00	\$0.00	\$0.00	Arthur Michael P&Dana E G
678 234 09 00	1.00	SFD	H	1.00	1.00	\$0.00	\$0.00	Gonzales Edmund S&Darcy S
678 234 10 00	1.00	SFD	H	1.00	1.00	\$0.00	\$0.00	Myrell Antonio L&Annie E
678 234 11 00	1.00	SFD	H	1.00	1.00	\$0.00	\$0.00	Hart Family Trust 06-23-14
678 234 12 00	1.00	SFD	H	1.00	1.00	\$0.00	\$0.00	Heffelfinger Jason L&Stacy A
678 234 13 00	1.00	SFD	H	1.00	1.00	\$0.00	\$0.00	Kaushik Vinod&Gunta Sujana
678 234 14 00	1.00	SFD	H	1.00	1.00	\$0.00	\$0.00	Vaddi Ravichandra R&Mallewari
678 234 15 00	1.00	SFD	H	1.00	1.00	\$0.00	\$0.00	Joshi Bhargav&Prapti
678 234 16 00	1.00	SFD	H	1.00	1.00	\$0.00	\$0.00	Yang Zhifa&Mei Gan
678 234 17 00	1.00	SFD	H	1.00	1.00	\$0.00	\$0.00	Ravula Satheesh B&Suchitra
678 234 18 00	1.00	SFD	H	1.00	1.00	\$0.00	\$0.00	Pang Gregory J&Tran-Pang Jessica A
678 234 19 00	1.00	SFD	H	1.00	1.00	\$0.00	\$0.00	Petzold Daniel A&Zeng Huiwen
678 234 20 00	1.00	SFD	H	1.00	1.00	\$0.00	\$0.00	Jones Nathan&Lindsay
678 234 21 00	1.00	SFD	H	1.00	1.00	\$0.00	\$0.00	Konat Nicholas G&Tara J
678 234 22 00	1.00	SFD	H	1.00	1.00	\$0.00	\$0.00	Le Thuy D&Le-Pham Van
678 234 23 00	1.00	SFD	H	1.00	1.00	\$0.00	\$0.00	Godkin Sam
678 234 24 00	1.00	SFD	H	1.00	1.00	\$0.00	\$0.00	Ellis Bradley C Trust 07-12-84
678 234 25 00	1.00	SFD	H	1.00	1.00	\$0.00	\$0.00	Liang Clark&Gao Xueting
678 234 26 00	1.00	SFD	H	1.00	1.00	\$0.00	\$0.00	Givens Chadwick F&Erika R
678 234 27 00	1.00	SFD	H	1.00	1.00	\$0.00	\$0.00	Pastrano Kirk A&Ellen C
678 234 28 00	1.00	SFD	H	1.00	1.00	\$0.00	\$0.00	Namoca Ceazar&Ferrer Anna
678 234 29 00	1.00	SFD	H	1.00	1.00	\$0.00	\$0.00	Dick C&L Family Trust 06-09-13
678 234 30 00	1.00	SFD	H	1.00	1.00	\$0.00	\$0.00	Lee Diane K
678 234 31 00	1.00	SFD	H	1.00	1.00	\$0.00	\$0.00	Younghouse Mark&Michelle
678 234 32 00	1.00	SFD	H	1.00	1.00	\$0.00	\$0.00	Sozzi Rick&Garrene Michelle
678 234 33 00	1.00	SFD	H	1.00	1.00	\$0.00	\$0.00	Kogan Family Trust 05-16-14
678 234 34 00	1.00	SFD	H	1.00	1.00	\$0.00	\$0.00	Mushet Broc A&Shay B
678 234 35 00	1.00	SFD	H	1.00	1.00	\$0.00	\$0.00	Dhokia December 19 2016 Family Trust
678 234 36 00	1.00	SFD	H	1.00	1.00	\$0.00	\$0.00	Thomas Joe&Nimmi

**EXHIBIT C - Assessment Roll (Fiscal Year 2020)**  
**Black Mountain Ranch North Maintenance Assessment District**

Parcel Number	Acres/ Units <sup>(1)</sup>	Land Use Code <sup>(2)</sup>	Zone	Land Use Factor <sup>(2)</sup>	Total EBU's	Unit Cost (\$/EBU)	FY 2020 <sup>(3)</sup> Assessment	Owner Name
678 234 37 00	1.32	PKU	H	0.50	0.66	\$0.00	\$0.00	Del Sur Community Association
678 235 01 00	1.00	SFD	H	1.00	1.00	\$0.00	\$0.00	Yatavelli Anil&Boorgula Sushma
678 235 02 00	1.00	SFD	H	1.00	1.00	\$0.00	\$0.00	Anand Sumeet&Amarinder
678 235 03 00	1.00	SFD	H	1.00	1.00	\$0.00	\$0.00	Ciruzzi Family Trust 09-14-00
678 235 04 00	1.00	SFD	H	1.00	1.00	\$0.00	\$0.00	Bondy Marcus D Trust 07-10-14
678 235 05 00	1.00	SFD	H	1.00	1.00	\$0.00	\$0.00	Seaton Family Trust 10-13-17
678 235 06 00	1.00	SFD	H	1.00	1.00	\$0.00	\$0.00	Skopec Dan F&Monica D
678 235 07 00	1.00	SFD	H	1.00	1.00	\$0.00	\$0.00	Stifano Mario&Lora
678 235 08 00	1.00	SFD	H	1.00	1.00	\$0.00	\$0.00	Fritz Kathryn M Revocable Trust 10-21-13
678 235 09 00	1.00	SFD	H	1.00	1.00	\$0.00	\$0.00	Hackett Stacey
678 235 10 00	1.00	SFD	H	1.00	1.00	\$0.00	\$0.00	R M A Capital Holdings Trust 07-15-15
678 235 11 00	1.00	SFD	H	1.00	1.00	\$0.00	\$0.00	Golopenko Family Trust 10-11-17
678 235 12 00	1.00	SFD	H	1.00	1.00	\$0.00	\$0.00	Sasson Shani Revocable Living Trust 02-01-10
678 235 13 00	1.00	SFD	H	1.00	1.00	\$0.00	\$0.00	Shanmugaraju Raghuraj&Raj Kavitha
678 235 14 00	1.00	SFD	H	1.00	1.00	\$0.00	\$0.00	Hua Ryan&Tran Lori Living 2014 Trust 03-25-14
678 235 15 00	1.00	SFD	H	1.00	1.00	\$0.00	\$0.00	Pustelnik Matthew J&Rachel H
678 235 16 00	1.00	SFD	H	1.00	1.00	\$0.00	\$0.00	Kintada Ramakrishna&Kinthada Prema K
678 235 17 00	1.00	SFD	H	1.00	1.00	\$0.00	\$0.00	Urcan Michael&Kristen
678 235 18 00	1.00	SFD	H	1.00	1.00	\$0.00	\$0.00	Dhillon Marshal&Ty
678 235 19 00	1.00	SFD	H	1.00	1.00	\$0.00	\$0.00	Park Family Trust 05-08-07
678 235 20 00	1.00	SFD	H	1.00	1.00	\$0.00	\$0.00	Lo Bryan A&Miller Cheryl P
678 235 21 00	1.00	SFD	H	1.00	1.00	\$0.00	\$0.00	Lo Thomas S&Paige E
678 235 22 00	1.00	SFD	H	1.00	1.00	\$0.00	\$0.00	Fang Yong&Cheng Chuan
678 235 23 00	1.00	SFD	H	1.00	1.00	\$0.00	\$0.00	Danielson Joshua L&Kristin L
678 235 24 00	1.00	SFD	H	1.00	1.00	\$0.00	\$0.00	Sutter Cameron E&Nedic Ivana S
678 235 25 00	1.00	SFD	H	1.00	1.00	\$0.00	\$0.00	Weg Zach&Laura
678 235 26 00	1.00	SFD	H	1.00	1.00	\$0.00	\$0.00	Binn Family Living Trust 05-08-97
678 235 27 00	1.00	SFD	H	1.00	1.00	\$0.00	\$0.00	Kim Chung Soo&Yoo Kyung
678 235 28 00	1.00	SFD	H	1.00	1.00	\$0.00	\$0.00	Wong Mandy Living Trust 02-11-16
678 235 29 00	1.00	SFD	H	1.00	1.00	\$0.00	\$0.00	Nilsen Robert W Ili&Lucia
678 235 30 00	1.00	SFD	H	1.00	1.00	\$0.00	\$0.00	Lee Jung&Susan Family Trust 11-28-11
678 235 31 00	1.00	SFD	H	1.00	1.00	\$0.00	\$0.00	Fogerson Robert S Jr Trust 11-04-11
678 235 32 00	1.00	SFD	H	1.00	1.00	\$0.00	\$0.00	Wong Waisan&Liu Aurora X
678 235 33 00	1.00	SFD	H	1.00	1.00	\$0.00	\$0.00	Rubio Jose A&Ana I
678 235 34 00	1.00	SFD	H	1.00	1.00	\$0.00	\$0.00	McCarthy Thomas J&Kimberly A
678 235 35 00	1.00	SFD	H	1.00	1.00	\$0.00	\$0.00	Bhatt Janmejy P&Komal J
678 235 36 00	1.00	SFD	H	1.00	1.00	\$0.00	\$0.00	Avila Jose H&Kathleen E
678 235 37 00	1.00	SFD	H	1.00	1.00	\$0.00	\$0.00	Pierson Sheila L Separate Property Trust 08-05-16
678 235 38 00	1.00	SFD	H	1.00	1.00	\$0.00	\$0.00	Chun Philip M&Angela J
678 235 39 00	1.00	SFD	H	1.00	1.00	\$0.00	\$0.00	Pattireddy Udaykumar&Neravetla Soumya
678 235 40 00	1.00	SFD	H	1.00	1.00	\$0.00	\$0.00	Hong Steven S&Kim Angela B
678 235 41 00	1.00	SFD	H	1.00	1.00	\$0.00	\$0.00	Cheng Wang Cheng&Gong Zhiying
678 235 42 00	1.00	SFD	H	1.00	1.00	\$0.00	\$0.00	Charo Jason&Jacklyn
678 235 43 00	1.00	SFD	H	1.00	1.00	\$0.00	\$0.00	Elardo Christopher&Kimberly
678 235 44 00	1.00	SFD	H	1.00	1.00	\$0.00	\$0.00	Park Family Trust 06-01-99
678 235 45 00	1.00	SFD	H	1.00	1.00	\$0.00	\$0.00	Vespa Craig R&Melanie G
678 235 46 00	1.00	SFD	H	1.00	1.00	\$0.00	\$0.00	Gavin Tange L 1991 Trust 08-28-91
678 236 01 00	1.00	SFD	H	1.00	1.00	\$0.00	\$0.00	Dhami Tarlok S&Rupinder K
678 236 02 00	1.00	SFD	H	1.00	1.00	\$0.00	\$0.00	Safi Family Trust 03-21-13
678 236 03 00	1.00	SFD	H	1.00	1.00	\$0.00	\$0.00	Jeswani Sunil P&Shalini
678 236 04 00	1.00	SFD	H	1.00	1.00	\$0.00	\$0.00	Loranger Derek&Hoa
678 236 05 00	1.00	SFD	H	1.00	1.00	\$0.00	\$0.00	Molocznik Bo J&Brittney A
678 236 06 00	1.00	SFD	H	1.00	1.00	\$0.00	\$0.00	Weeks Joshua J&Elizabeth J
678 236 07 00	1.00	SFD	H	1.00	1.00	\$0.00	\$0.00	Outman Trevor&Cristal
678 236 08 00	1.00	SFD	H	1.00	1.00	\$0.00	\$0.00	Greenstein Joshua K&Goldklang Carol A
678 236 09 00	1.00	SFD	H	1.00	1.00	\$0.00	\$0.00	Bundy Jon&Erica
678 236 10 00	1.00	SFD	H	1.00	1.00	\$0.00	\$0.00	Jaquess Family Trust 08-21-12
678 236 11 00	1.00	SFD	H	1.00	1.00	\$0.00	\$0.00	Glandorf Joshua J&Kari
678 236 12 00	1.00	SFD	H	1.00	1.00	\$0.00	\$0.00	Kirsten Nico&Cornelia J

**EXHIBIT C - Assessment Roll (Fiscal Year 2020)**  
**Black Mountain Ranch North Maintenance Assessment District**

Parcel Number	Acres/ Units <sup>(1)</sup>	Land Use Code <sup>(2)</sup>	Zone	Land Use Factor <sup>(2)</sup>	Total EBUs	Unit Cost (\$/Ebu)	FY 2020 <sup>(3)</sup> Assessment	Owner Name
678 236 13 00	1.00	SFD	H	1.00	1.00	\$0.00	\$0.00	Smolin Family Trust 08-01-14
678 236 14 00	1.00	SFD	H	1.00	1.00	\$0.00	\$0.00	Naqib Rami A
678 236 15 00	1.00	SFD	H	1.00	1.00	\$0.00	\$0.00	Yoon Steven&Lee Chak Han
678 236 16 00	1.00	SFD	H	1.00	1.00	\$0.00	\$0.00	Dines Adrienne A Family Trust 09-07-04
678 236 17 00	1.00	SFD	H	1.00	1.00	\$0.00	\$0.00	Ciccarelli Steven C&Rene E
678 236 18 00	1.00	SFD	H	1.00	1.00	\$0.00	\$0.00	Taeb Family Trust 04-02-03
678 236 19 00	1.00	SFD	H	1.00	1.00	\$0.00	\$0.00	Fontana Jason T&Sarah
678 236 20 00	1.00	SFD	H	1.00	1.00	\$0.00	\$0.00	Mackinlay Family Trust 06-10-10
678 236 21 00	1.00	SFD	H	1.00	1.00	\$0.00	\$0.00	Chandruang William B
678 236 22 00	1.00	SFD	H	1.00	1.00	\$0.00	\$0.00	Gupta Paras&Tayal Isha
678 236 23 00	1.00	SFD	H	1.00	1.00	\$0.00	\$0.00	Cunningham Jerry L&Kimberly L
678 236 24 00	1.00	SFD	H	1.00	1.00	\$0.00	\$0.00	Last-Small Family Trust 07-06-12
678 236 25 00	0.05	OSP	H	0.00	0.00	\$0.00	\$0.00	Del Sur Community Association
678 236 26 00	0.07	OSP	H	0.00	0.00	\$0.00	\$0.00	Del Sur Community Association
678 236 27 00	0.05	OSP	H	0.00	0.00	\$0.00	\$0.00	Del Sur Community Association
678 236 28 00	0.06	OSP	H	0.00	0.00	\$0.00	\$0.00	Del Sur Community Assn
678 236 29 00	0.05	OSP	H	0.00	0.00	\$0.00	\$0.00	Del Sur Community Association
678 237 02 00	3.56	OSP	H	0.00	0.00	\$0.00	\$0.00	Black Mountain Ranch L L C
678 237 03 00	3.07	OSP	H	0.00	0.00	\$0.00	\$0.00	Del Sur Community Association
678 237 04 00	16.19	OSP	H	0.00	0.00	\$0.00	\$0.00	Del Sur Community Assn
678 237 05 00	2.27	OSP	H	0.00	0.00	\$0.00	\$0.00	Black Mountain Ranch L L C
678 237 06 00	7.48	OSP	H	0.00	0.00	\$0.00	\$0.00	Black Mountain Ranch L L C
678 237 07 00	0.07	OSP	H	0.00	0.00	\$0.00	\$0.00	Black Mountain Ranch L L C
678 237 08 00	0.01	OSP	H	0.00	0.00	\$0.00	\$0.00	Black Mountain Ranch L L C
678 620 01 00	119.00	MFR	A	0.70	83.30	\$0.00	\$0.00	Santaluz Family Apts L P
678 620 05 00	0.05	OSP	A	0.00	0.00	\$0.00	\$0.00	Santaluz L L C
678 620 06 00	0.08	OSP	A	0.00	0.00	\$0.00	\$0.00	La Vina Maintenance Corporation
678 620 07 00	0.84	OSP	A	0.00	0.00	\$0.00	\$0.00	La Vina Maintenance Corp
678 620 08 00	1.20	STR	A	0.00	0.00	\$0.00	\$0.00	La Vina Maintenance Corp
678 620 09 01	1.00	SFD	A	1.00	1.00	\$0.00	\$0.00	Alam Jahangir&Rasheda A
678 620 09 02	1.00	SFD	A	1.00	1.00	\$0.00	\$0.00	Sivanandam Sathiyamoorthy T&Sathiyamoorthy Latha
678 620 09 03	1.00	SFD	A	1.00	1.00	\$0.00	\$0.00	Umopathy Arunsundar&Subramanian Kavitha
678 620 09 04	1.00	SFD	A	1.00	1.00	\$0.00	\$0.00	Ibarrola Andrew R&Eulalyn S
678 620 09 05	1.00	SFD	A	1.00	1.00	\$0.00	\$0.00	Sherafatmand Sam
678 620 09 06	1.00	SFD	A	1.00	1.00	\$0.00	\$0.00	Remigio Ryan J&Jeaneath S
678 620 09 07	1.00	SFD	A	1.00	1.00	\$0.00	\$0.00	Vadapalli Manitej&Bade Srilekha
678 620 09 08	1.00	SFD	A	1.00	1.00	\$0.00	\$0.00	Lin Susan T S
678 620 09 09	1.00	SFD	A	1.00	1.00	\$0.00	\$0.00	Bhattacharya Amab&Battacharya Anamika
678 620 10 01	1.00	SFD	A	1.00	1.00	\$0.00	\$0.00	Liang Jie
678 620 10 02	1.00	SFD	A	1.00	1.00	\$0.00	\$0.00	Mohanty Rashmi R&Patnaik Ananya
678 620 10 03	1.00	SFD	A	1.00	1.00	\$0.00	\$0.00	Trupp Carla L Trust 04-04-12
678 620 10 04	1.00	SFD	A	1.00	1.00	\$0.00	\$0.00	Do Keun Lock&Lee Mi Young
678 620 10 05	1.00	SFD	A	1.00	1.00	\$0.00	\$0.00	Krause Robert E&Deanna M
678 620 10 06	1.00	SFD	A	1.00	1.00	\$0.00	\$0.00	Zhang Wentian&Yong
678 620 11 01	1.00	SFD	A	1.00	1.00	\$0.00	\$0.00	Liu Limin&Jianmei
678 620 11 02	1.00	SFD	A	1.00	1.00	\$0.00	\$0.00	Javien Orlando U Jr&Svetlana G
678 620 11 03	1.00	SFD	A	1.00	1.00	\$0.00	\$0.00	Kazemzadeh Medhi M
678 620 11 04	1.00	SFD	A	1.00	1.00	\$0.00	\$0.00	Botello Melissa Family Trust 10-18-17
678 620 11 05	1.00	SFD	A	1.00	1.00	\$0.00	\$0.00	Shi Jin&Li Peihan
678 620 11 06	1.00	SFD	A	1.00	1.00	\$0.00	\$0.00	Zhou Zhengyu&Zhu Min
678 620 11 07	1.00	SFD	A	1.00	1.00	\$0.00	\$0.00	Sanding Anthony N&Maria R L
678 620 11 08	1.00	SFD	A	1.00	1.00	\$0.00	\$0.00	Yadlapalli Vikas&Yella Naga L
678 620 12 01	1.00	SFD	A	1.00	1.00	\$0.00	\$0.00	Kleist Michael J&Connie W
678 620 12 02	1.00	SFD	A	1.00	1.00	\$0.00	\$0.00	Liu Weiliang&Shi Qian
678 620 12 03	1.00	SFD	A	1.00	1.00	\$0.00	\$0.00	Fang Bin&Li Wei
678 620 12 04	1.00	SFD	A	1.00	1.00	\$0.00	\$0.00	Miller Perry A&Ann
678 620 12 05	1.00	SFD	A	1.00	1.00	\$0.00	\$0.00	Lukmani Mustafa&Patanwala Tasneem
678 620 12 06	1.00	SFD	A	1.00	1.00	\$0.00	\$0.00	Liu Jun&Suo Lin
678 620 12 07	1.00	SFD	A	1.00	1.00	\$0.00	\$0.00	Rehmani Hamida Living Trust 09-22-15

**EXHIBIT C - Assessment Roll (Fiscal Year 2020)**  
**Black Mountain Ranch North Maintenance Assessment District**

Parcel Number	Acres/ Units <sup>(1)</sup>	Land Use Code <sup>(2)</sup>	Zone	Land Use Factor <sup>(2)</sup>	Total EBU's	Unit Cost (\$/EBU)	FY 2020 <sup>(3)</sup> Assessment	Owner Name
678 620 12 08	1.00	SFD	A	1.00	1.00	\$0.00	\$0.00	Li Yifei&Tao Birong
678 620 13 01	1.00	SFD	A	1.00	1.00	\$0.00	\$0.00	Wei Longyin&Ke Zhi
678 620 13 02	1.00	SFD	A	1.00	1.00	\$0.00	\$0.00	Afsaneh Amini
678 620 13 03	1.00	SFD	A	1.00	1.00	\$0.00	\$0.00	Huang Pohao&Ho Chi Hua
678 620 13 04	1.00	SFD	A	1.00	1.00	\$0.00	\$0.00	Raj Saran&Saran Sangeetha
678 620 13 05	1.00	SFD	A	1.00	1.00	\$0.00	\$0.00	Muthukumar/Ramu 2016 Living Trust 12-12-16
678 620 13 06	1.00	SFD	A	1.00	1.00	\$0.00	\$0.00	Juneja Anupam&Kalra Sonal
678 620 14 01	1.00	SFD	A	1.00	1.00	\$0.00	\$0.00	Pattanayak Uttam&Shrabonti
678 620 14 02	1.00	SFD	A	1.00	1.00	\$0.00	\$0.00	Deanda Franco H&Jana
678 620 14 03	1.00	SFD	A	1.00	1.00	\$0.00	\$0.00	Latour Dan&Debra
678 620 14 04	1.00	SFD	A	1.00	1.00	\$0.00	\$0.00	Smith Adam P
678 620 14 05	1.00	SFD	A	1.00	1.00	\$0.00	\$0.00	Pacheco Jose R&Kawar Dina
678 620 14 06	1.00	SFD	A	1.00	1.00	\$0.00	\$0.00	Lau Allen&Hu Ming
678 620 14 07	1.00	SFD	A	1.00	1.00	\$0.00	\$0.00	Tirumalai Krishna Dwipayana&Hullugundi Swathi Krishnar
678 620 14 08	1.00	SFD	A	1.00	1.00	\$0.00	\$0.00	Venkataraman Anand&Rajagopalan Lakshmi
678 620 14 09	1.00	SFD	A	1.00	1.00	\$0.00	\$0.00	McCrear Shawn&Hui Bobo
678 681 13 00	1.00	SFD	G	1.00	1.00	\$0.00	\$0.00	Greenwood Brent E&Sebastian Melani F
678 681 14 00	1.00	SFD	G	1.00	1.00	\$0.00	\$0.00	Olsen Jonathan A&Deanna M
678 681 15 00	1.00	SFD	G	1.00	1.00	\$0.00	\$0.00	Lafontaine Devin&Bernard Stephanie
678 681 16 00	1.00	SFD	G	1.00	1.00	\$0.00	\$0.00	Busse Brian C&Wong Christeanna
678 681 17 00	1.00	SFD	G	1.00	1.00	\$0.00	\$0.00	Vajda Family Trust 07-01-91
678 681 18 00	0.05	OSP	G	0.00	0.00	\$0.00	\$0.00	Del Sur Community Assn
678 681 19 00	1.00	SFD	G	1.00	1.00	\$0.00	\$0.00	Steep Michael J&Walker Christine F
678 681 20 00	1.00	SFD	G	1.00	1.00	\$0.00	\$0.00	Azimi Said R Revocable Trust 07-08-15
678 681 21 00	1.00	SFD	G	1.00	1.00	\$0.00	\$0.00	Schultz Family Trust 03-18-99
678 681 22 00	1.00	SFD	G	1.00	1.00	\$0.00	\$0.00	Minner Thomas E&Lyons Holly M
678 681 23 00	1.00	SFD	G	1.00	1.00	\$0.00	\$0.00	Noona Family Revocable Living Trust 08-07-17
678 681 24 00	1.00	SFD	G	1.00	1.00	\$0.00	\$0.00	Tran Michael D&Ta Mini
678 681 25 00	1.00	SFD	G	1.00	1.00	\$0.00	\$0.00	Matevossian Vartan M&Kultan Kanokwan
678 681 26 00	1.00	SFD	G	1.00	1.00	\$0.00	\$0.00	Slater Michael S
678 681 27 00	1.00	SFD	G	1.00	1.00	\$0.00	\$0.00	Franco Marietta Trust 01-10-15
678 681 28 00	1.00	SFD	G	1.00	1.00	\$0.00	\$0.00	Cabanayan Generoso S Iii&Gonzales Karen C
678 681 29 00	1.00	SFD	G	1.00	1.00	\$0.00	\$0.00	Baek Chang-Ho&Soo-Mi Lee
678 681 30 00	1.00	SFD	G	1.00	1.00	\$0.00	\$0.00	Aghassi Sarah E 2014 Trust 02-27-14
678 681 31 00	1.00	SFD	G	1.00	1.00	\$0.00	\$0.00	Cooke Terence G&Tiffany M
678 681 32 00	1.00	SFD	G	1.00	1.00	\$0.00	\$0.00	Gupta Rajesh K&Bansal Shalini
678 681 33 00	1.00	SFD	G	1.00	1.00	\$0.00	\$0.00	Bamford Terri
678 681 34 00	1.00	SFD	G	1.00	1.00	\$0.00	\$0.00	Viveiros David A&Katherine A
678 681 35 00	1.00	SFD	G	1.00	1.00	\$0.00	\$0.00	Tremblay Kevin P&Michelle S
678 681 36 00	1.00	SFD	G	1.00	1.00	\$0.00	\$0.00	Meeler Joseph L Jr&Lauren C
678 681 37 00	1.00	SFD	G	1.00	1.00	\$0.00	\$0.00	Robledo Jose A Family Trust 08-23-00
678 681 38 00	1.00	SFD	G	1.00	1.00	\$0.00	\$0.00	Venkatesh Shreyas S&Aggarwal Richa
678 681 39 00	1.00	SFD	G	1.00	1.00	\$0.00	\$0.00	Bach Living Trust 02-23-17
678 681 40 00	1.00	SFD	G	1.00	1.00	\$0.00	\$0.00	French Roy D Family Trust 04-07-86
678 681 41 00	1.00	SFD	G	1.00	1.00	\$0.00	\$0.00	Stavrou Dennis&Cortney 2017 Trust 04-11-17
678 681 42 00	1.00	SFD	G	1.00	1.00	\$0.00	\$0.00	Quanstrom Eric&Michele
678 681 43 00	1.00	SFD	G	1.00	1.00	\$0.00	\$0.00	Ross Family Trust 12-20-06
678 681 44 00	1.00	SFD	G	1.00	1.00	\$0.00	\$0.00	Schuerger Jonathan&Lindsey
678 681 45 00	1.00	SFD	G	1.00	1.00	\$0.00	\$0.00	Landa Adam&Bova Gina
678 681 46 00	1.00	SFD	G	1.00	1.00	\$0.00	\$0.00	Krishnan Prakash
678 681 47 00	1.00	SFD	G	1.00	1.00	\$0.00	\$0.00	Tam Shiu Yeung&Shirley
678 681 48 00	1.00	SFD	G	1.00	1.00	\$0.00	\$0.00	Nikolaev Ivan&Dziomkina Nina V
678 681 49 00	1.00	SFD	G	1.00	1.00	\$0.00	\$0.00	Duell Family Trust
678 681 50 00	1.00	SFD	G	1.00	1.00	\$0.00	\$0.00	Kang Eunjin A
678 681 51 00	1.00	SFD	G	1.00	1.00	\$0.00	\$0.00	Landau Aaron
678 681 52 00	1.00	SFD	G	1.00	1.00	\$0.00	\$0.00	Rahm Amanda M
678 681 53 00	1.00	SFD	G	1.00	1.00	\$0.00	\$0.00	Raman Shrikant&Surabhi
678 681 54 00	1.00	SFD	G	1.00	1.00	\$0.00	\$0.00	Ballou Jared W&Lupu Alexandra L
678 681 55 00	1.00	SFD	G	1.00	1.00	\$0.00	\$0.00	Arredondo David C&Inzunza Rocio D J U

**EXHIBIT C - Assessment Roll (Fiscal Year 2020)**  
**Black Mountain Ranch North Maintenance Assessment District**

Parcel Number	Acres/ Units <sup>(1)</sup>	Land Use Code <sup>(2)</sup>	Zone	Land Use Factor <sup>(2)</sup>	Total EBU's	Unit Cost (\$/EBU)	FY 2020 <sup>(3)</sup> Assessment	Owner Name
678 681 56 00	1.00	SFD	G	1.00	1.00	\$0.00	\$0.00	Garza William A
678 681 57 00	1.00	SFD	G	1.00	1.00	\$0.00	\$0.00	Shah Aditya&Reema
678 681 58 00	1.00	SFD	G	1.00	1.00	\$0.00	\$0.00	Switzer Patrick G&Mitchell Ashley L
678 681 59 00	1.00	SFD	G	1.00	1.00	\$0.00	\$0.00	Zgliniec Thomas A&Pinkel Laura D
678 681 60 00	1.00	SFD	G	1.00	1.00	\$0.00	\$0.00	Chah Dong Jin&Yen Patricia T
678 681 61 00	1.17	OSP	G	0.00	0.00	\$0.00	\$0.00	Black Mountain Ranch L L C
678 681 62 00	0.03	OSP	G	0.00	0.00	\$0.00	\$0.00	Black Mountain Ranch L L C
678 681 64 01	1.00	CND	G	0.70	0.70	\$0.00	\$0.00	Kosuri Chiranjeevi
678 681 64 02	1.00	CND	G	0.70	0.70	\$0.00	\$0.00	Wanner Philip D&Jennifer K
678 681 64 03	1.00	CND	G	0.70	0.70	\$0.00	\$0.00	Jayaraman Babu&Reddy Kavitha N
678 681 64 04	1.00	CND	G	0.70	0.70	\$0.00	\$0.00	Sivakumar Ramkumar&Chandrasekar Vaani
678 681 64 05	1.00	CND	G	0.70	0.70	\$0.00	\$0.00	Singavarapu Kalyan&Yamani Bhavani
678 681 64 06	1.00	CND	G	0.70	0.70	\$0.00	\$0.00	Sivasubramaniam Shrihari P&Ravindran Sowpernika
678 681 65 01	1.00	CND	G	0.70	0.70	\$0.00	\$0.00	Jessie Darryl S&Julie D
678 681 65 02	1.00	CND	G	0.70	0.70	\$0.00	\$0.00	Lopez David C
678 681 65 03	1.00	CND	G	0.70	0.70	\$0.00	\$0.00	Panarelli-Kemple Family Trust 03-13-17
678 681 65 04	1.00	CND	G	0.70	0.70	\$0.00	\$0.00	Adams Kevin F&Katie A
678 681 65 05	1.00	CND	G	0.70	0.70	\$0.00	\$0.00	Johnson Anthony Patrick&Shohreh
678 681 65 06	1.00	CND	G	0.70	0.70	\$0.00	\$0.00	Kashani Kianoush B&Raissan Yassaman
678 681 66 01	1.00	CND	G	0.70	0.70	\$0.00	\$0.00	Zahn Derek J&Carol M
678 681 66 02	1.00	CND	G	0.70	0.70	\$0.00	\$0.00	Nguyen Christine A
678 681 66 03	1.00	CND	G	0.70	0.70	\$0.00	\$0.00	Federhart Jay
678 681 66 04	1.00	CND	G	0.70	0.70	\$0.00	\$0.00	Salzman Phillip&Wu Chia Chien
678 681 66 05	1.00	CND	G	0.70	0.70	\$0.00	\$0.00	Osborn Taylor C&Keating Breann M
678 681 66 06	1.00	CND	G	0.70	0.70	\$0.00	\$0.00	So Johnny K&Amy Living Trust 07-25-05
678 681 67 01	1.00	CND	G	0.70	0.70	\$0.00	\$0.00	Chinnaiah Prabhu&Gangaiah Archana
678 681 67 02	1.00	CND	G	0.70	0.70	\$0.00	\$0.00	Palanca Michael N&Carolyn D
678 681 67 03	1.00	CND	G	0.70	0.70	\$0.00	\$0.00	Vann Carol A Living Trust 10-22-16
678 681 67 04	1.00	CND	G	0.70	0.70	\$0.00	\$0.00	Mojonnier Scott D Trust 08-04-16
678 681 67 05	1.00	CND	G	0.70	0.70	\$0.00	\$0.00	Lai Shun-Wei&Ku Chung-Min
678 681 68 01	1.00	CND	G	0.70	0.70	\$0.00	\$0.00	Tan Nathan&He Beijia
678 681 68 02	1.00	CND	G	0.70	0.70	\$0.00	\$0.00	Zhou Revocable Living Trust 03-06-14
678 681 68 03	1.00	CND	G	0.70	0.70	\$0.00	\$0.00	Ong Brendan
678 681 68 04	1.00	CND	G	0.70	0.70	\$0.00	\$0.00	Mun John&Angela
678 681 69 01	1.00	CND	G	0.70	0.70	\$0.00	\$0.00	Sloustcher Adam F&Alexis L
678 681 69 02	1.00	CND	G	0.70	0.70	\$0.00	\$0.00	Zhang Shi C&Ding Xiao Mei
678 681 69 03	1.00	CND	G	0.70	0.70	\$0.00	\$0.00	Nagavarapu Satish&Madhuri
678 681 69 04	1.00	CND	G	0.70	0.70	\$0.00	\$0.00	Ghouse Syed S&Abiddin Noorjahan B Z
678 681 69 05	1.00	CND	G	0.70	0.70	\$0.00	\$0.00	Caravelli Kelly A
678 681 69 06	1.00	CND	G	0.70	0.70	\$0.00	\$0.00	Rane Ashutosh A
678 681 71 01	1.00	CND	G	0.70	0.70	\$0.00	\$0.00	Brody Seth E&Emily R
678 681 71 02	1.00	CND	G	0.70	0.70	\$0.00	\$0.00	Renechhausen Lyudmila A
678 681 71 03	1.00	CND	G	0.70	0.70	\$0.00	\$0.00	Baranowski Family Trust 11-21-13
678 681 71 04	1.00	CND	G	0.70	0.70	\$0.00	\$0.00	Logue Adam R&Amanda R
678 681 71 05	1.00	CND	G	0.70	0.70	\$0.00	\$0.00	Mukherjee Somenath&Sudipta
678 681 71 06	1.00	CND	G	0.70	0.70	\$0.00	\$0.00	K R S R E Llc
678 681 71 07	1.00	CND	G	0.70	0.70	\$0.00	\$0.00	Yoon Kris Kihwa&Helen
678 681 71 08	1.00	CND	G	0.70	0.70	\$0.00	\$0.00	Diego Villacis&Mullins Lynita H
678 681 71 09	1.00	CND	G	0.70	0.70	\$0.00	\$0.00	Cho Taeyu
678 681 71 10	1.00	CND	G	0.70	0.70	\$0.00	\$0.00	Mcinerney Jason&Jennifer
678 681 71 11	1.00	CND	G	0.70	0.70	\$0.00	\$0.00	Obrien Heather E&Thomas J
678 681 71 12	1.00	CND	G	0.70	0.70	\$0.00	\$0.00	Sanka Ganga R&Rajani
678 681 72 00	3.53	STR	G	0.00	0.00	\$0.00	\$0.00	Calatlantic Group Inc
678 682 02 00	1.00	SFD	G	1.00	1.00	\$0.00	\$0.00	Wang Yan
678 682 03 00	1.00	SFD	G	1.00	1.00	\$0.00	\$0.00	Chang Sungho&Ahn Suna
678 682 04 00	1.00	SFD	G	1.00	1.00	\$0.00	\$0.00	Seeram Prasannakumar&Manjankarni Priya R
678 682 05 00	1.00	SFD	G	1.00	1.00	\$0.00	\$0.00	Lin Jade&Yeh Connie
678 682 06 00	1.00	SFD	G	1.00	1.00	\$0.00	\$0.00	Pulimamidi Krishna&Boorgula Smitha
678 682 07 00	1.00	SFD	G	1.00	1.00	\$0.00	\$0.00	Huang Li

## EXHIBIT C - Assessment Roll (Fiscal Year 2020)

### Black Mountain Ranch North Maintenance Assessment District

Parcel Number	Acres/ Units <sup>(1)</sup>	Land Use Code <sup>(2)</sup>	Zone	Land Use Factor <sup>(2)</sup>	Total EBUs	Unit Cost (\$/Ebu)	FY 2020 <sup>(3)</sup> Assessment	Owner Name
678 682 08 00	1.00	SFD	G	1.00	1.00	\$0.00	\$0.00	Wang Hsiang-Chen Living Trust 08-31-15
678 682 09 00	1.00	SFD	G	1.00	1.00	\$0.00	\$0.00	Koo Vivian D Revocable Trust 02-22-16
678 682 10 00	1.00	SFD	G	1.00	1.00	\$0.00	\$0.00	Alpern Noah B&Levin Adrienne J
678 682 11 00	1.00	SFD	G	1.00	1.00	\$0.00	\$0.00	Khanani Abdulsamad&Sarah
678 682 12 00	1.00	SFD	G	1.00	1.00	\$0.00	\$0.00	Vaka Sudhir K&Tata Ramya
678 682 13 00	1.00	SFD	G	1.00	1.00	\$0.00	\$0.00	Sinha Ranjan&Verma Rinku
678 682 14 00	1.00	SFD	G	1.00	1.00	\$0.00	\$0.00	Distefano Frank V&Eva P B
678 682 15 00	1.00	SFD	G	1.00	1.00	\$0.00	\$0.00	Grenewitz Alexander W&Shayna R
678 682 16 00	1.00	SFD	G	1.00	1.00	\$0.00	\$0.00	Conroy Family Trust 04-30-12
678 682 17 00	1.00	SFD	G	1.00	1.00	\$0.00	\$0.00	Wilson Jeffrey T&Jeanne T S
678 682 18 00	1.00	SFD	G	1.00	1.00	\$0.00	\$0.00	Zhou Heyue&Yang Zhirui
678 682 19 00	1.00	SFD	G	1.00	1.00	\$0.00	\$0.00	Quach Kinh T&Ha Kim-Hoa T
678 682 20 00	1.00	SFD	G	1.00	1.00	\$0.00	\$0.00	Zimble Gary&Om Khemma
678 682 21 00	1.00	SFD	G	1.00	1.00	\$0.00	\$0.00	Patel Baadal H&Rachana B
678 682 22 00	1.00	SFD	G	1.00	1.00	\$0.00	\$0.00	Piersons Jeffrey&Sarah Revocable Living Trust 11-02-17
678 682 23 00	1.00	SFD	G	1.00	1.00	\$0.00	\$0.00	Do Chris&Lu Min
678 682 24 00	1.00	SFD	G	1.00	1.00	\$0.00	\$0.00	Lee Seokjin&Park Sun Young
678 682 25 00	1.00	SFD	G	1.00	1.00	\$0.00	\$0.00	Che Nuo
678 682 26 00	1.00	SFD	G	1.00	1.00	\$0.00	\$0.00	Feng Tao
678 682 27 00	1.00	SFD	G	1.00	1.00	\$0.00	\$0.00	Paka Suresh&Gnaneshwar Vijaya V A
678 682 28 00	1.00	SFD	G	1.00	1.00	\$0.00	\$0.00	Jarang Family Trust 06-24-17
678 682 29 00	1.00	SFD	G	1.00	1.00	\$0.00	\$0.00	Mareboina Naveen&Udaya 2017 Family Trust
678 682 30 00	1.00	SFD	G	1.00	1.00	\$0.00	\$0.00	Joseph James D&Tracy C
678 682 31 00	1.00	SFD	G	1.00	1.00	\$0.00	\$0.00	Cho Yoon&Jennifer Family Trust 02-11-15
678 682 32 00	1.00	SFD	G	1.00	1.00	\$0.00	\$0.00	Cho Jinhyun
678 682 33 00	1.00	SFD	G	1.00	1.00	\$0.00	\$0.00	Mcguire Christopher H&Nicole R
678 682 34 00	1.00	SFD	G	1.00	1.00	\$0.00	\$0.00	Huang Wei&Tao Fei
678 682 35 00	1.00	SFD	G	1.00	1.00	\$0.00	\$0.00	Yue Dao Family Trust 02-03-17
678 682 36 00	1.00	SFD	G	1.00	1.00	\$0.00	\$0.00	Duranceau Jason&Carrie
678 682 37 00	1.00	SFD	G	1.00	1.00	\$0.00	\$0.00	Billimoria Paul P&Christina P Family Trust 10-31-07
678 682 38 00	1.00	SFD	G	1.00	1.00	\$0.00	\$0.00	Wuchner Mark&Kristi Family 2008 Trust 10-11-08
678 682 39 00	1.00	SFD	G	1.00	1.00	\$0.00	\$0.00	Lung Trevor O&Ashlee A
678 682 40 00	1.00	SFD	G	1.00	1.00	\$0.00	\$0.00	Warren David D&Jennifer
678 682 47 00	2.43	OSP	G	0.00	0.00	\$0.00	\$0.00	Del Sur Community Assn
678 682 48 00	4.17	OSP	G	0.00	0.00	\$0.00	\$0.00	Del Sur Community Assn
678 682 49 00	0.03	OSP	G	0.00	0.00	\$0.00	\$0.00	Del Sur Community Association
678 682 50 00	0.03	OSP	G	0.00	0.00	\$0.00	\$0.00	Del Sur Community Assn
678 682 51 00	0.04	OSP	G	0.00	0.00	\$0.00	\$0.00	Del Sur Community Assn
678 682 53 00	0.04	OSP	G	0.00	0.00	\$0.00	\$0.00	Black Mountain Ranch L L C
678 682 54 00	0.04	OSP	G	0.00	0.00	\$0.00	\$0.00	Black Mountain Ranch L L C
678 682 55 00	0.02	OSP	G	0.00	0.00	\$0.00	\$0.00	Black Mountain Ranch L L C
678 682 56 00	0.02	OSP	G	0.00	0.00	\$0.00	\$0.00	Black Mountain Ranch L L C
678 682 57 00	0.19	STR	G	0.00	0.00	\$0.00	\$0.00	Del Sur Community Assn
678 682 58 00	0.14	STR	G	0.00	0.00	\$0.00	\$0.00	Black Mountain Ranch L L C
678 682 59 00	0.06	STR	G	0.00	0.00	\$0.00	\$0.00	Black Mountain Ranch L L C
678 682 60 00	0.05	OSP	G	0.00	0.00	\$0.00	\$0.00	Del Sur Community Assn
678 682 61 00	0.04	OSP	G	0.00	0.00	\$0.00	\$0.00	Del Sur Community Assn
678 682 62 00	0.03	OSP	G	0.00	0.00	\$0.00	\$0.00	Del Sur Community Assn
678 682 63 00	0.06	OSP	G	0.00	0.00	\$0.00	\$0.00	Del Sur Community Assn
678 682 64 00	0.05	STR	G	0.00	0.00	\$0.00	\$0.00	Del Sur Community Assn
678 682 65 00	0.48	STR	G	0.00	0.00	\$0.00	\$0.00	Black Mountain Ranch L L C
678 682 66 00	0.15	STR	G	0.00	0.00	\$0.00	\$0.00	Black Mountain Ranch L L C
678 682 67 00	0.17	STR	G	0.00	0.00	\$0.00	\$0.00	Del Sur Community Assn
678 682 77 00	1.00	SFD	G	1.00	1.00	\$0.00	\$0.00	Patil Neelesh&Shanbhag Reshma
678 682 78 00	1.00	SFD	G	1.00	1.00	\$0.00	\$0.00	Dorf Barron J&Christina R
678 682 82 00	0.39	OSP	G	0.00	0.00	\$0.00	\$0.00	Black Mountain Ranch L L C
678 682 83 00	0.39	OSP	G	0.00	0.00	\$0.00	\$0.00	Black Mountain Ranch L L C
678 682 84 00	0.13	OSP	G	0.00	0.00	\$0.00	\$0.00	Del Sur Community Assn
678 682 86 00	0.11	OSP	G	0.00	0.00	\$0.00	\$0.00	Del Sur Community Assn



## EXHIBIT C - Assessment Roll (Fiscal Year 2020)

### Black Mountain Ranch North Maintenance Assessment District

Parcel Number	Acres/ Units <sup>(1)</sup>	Land Use Code <sup>(2)</sup>	Zone	Land Use Factor <sup>(2)</sup>	Total EBUs	Unit Cost (\$/Ebu)	FY 2020 <sup>(3)</sup> Assessment	Owner Name
678 682 87 00	0.82	PKU	G	0.50	0.41	\$0.00	\$0.00	Del Sur Community Association
678 682 88 00	0.37	OSP	G	0.00	0.00	\$0.00	\$0.00	Black Mountain Ranch L L C
678 682 89 00	1.00	SFD	G	1.00	1.00	\$0.00	\$0.00	Habashi Afshin&Maryam
678 682 92 00	2.09	OSP	G	0.00	0.00	\$0.00	\$0.00	Del Sur Community Association
678 682 95 00	1.00	SFD	G	1.00	1.00	\$0.00	\$0.00	Lampert David&Bridget Trust 12-16-15
678 682 96 00	1.00	SFD	G	1.00	1.00	\$0.00	\$0.00	Li Fang
678 683 01 00	1.00	SFD	G	1.00	1.00	\$0.00	\$0.00	Neiner Jason&Chou Patricia Revocable Living Trust 01-25
678 683 02 00	1.00	SFD	G	1.00	1.00	\$0.00	\$0.00	Shorb Jason D&Elyce
678 683 03 00	1.00	SFD	G	1.00	1.00	\$0.00	\$0.00	Zheng Dongqiang&Tan Weiwei
678 683 04 00	1.00	SFD	G	1.00	1.00	\$0.00	\$0.00	Youm Chan Hak&Chi Nayoung
678 683 05 00	1.00	SFD	G	1.00	1.00	\$0.00	\$0.00	Sadeghi Pouriya&Ehtiatl Neda
678 683 06 00	1.00	SFD	G	1.00	1.00	\$0.00	\$0.00	Zhang Donghui&Chen Yuqing
678 683 07 00	1.00	SFD	G	1.00	1.00	\$0.00	\$0.00	Chukkala Vishwanath&Parre Shruthi
678 683 08 00	1.00	SFD	G	1.00	1.00	\$0.00	\$0.00	Lee Justin Y&Fung Michelle M
678 683 09 00	1.00	SFD	G	1.00	1.00	\$0.00	\$0.00	Miyan Ravindra&Poonam
678 683 10 00	1.00	SFD	G	1.00	1.00	\$0.00	\$0.00	Anderson Family Trust 09-27-13
678 683 11 00	1.00	SFD	G	1.00	1.00	\$0.00	\$0.00	Jaime Carlo E C
678 683 12 00	1.00	SFD	G	1.00	1.00	\$0.00	\$0.00	Mijares Richard&Rachel
678 683 13 00	1.00	SFD	G	1.00	1.00	\$0.00	\$0.00	Korkmaz Melih&Aylin
678 683 14 00	1.00	SFD	G	1.00	1.00	\$0.00	\$0.00	Zang Chen Family Trust 11-30-17
678 683 15 00	1.00	SFD	G	1.00	1.00	\$0.00	\$0.00	Razavi Seyed A S A&Ataii Pamela P
678 683 16 00	1.00	SFD	G	1.00	1.00	\$0.00	\$0.00	Schoonover Angela
678 683 17 00	1.00	SFD	G	1.00	1.00	\$0.00	\$0.00	Kim Christopher J&Rosa F Cheuk
678 683 18 00	1.00	SFD	G	1.00	1.00	\$0.00	\$0.00	Mine Blake T&Kathryn W
678 683 19 00	1.00	SFD	G	1.00	1.00	\$0.00	\$0.00	Flegal James&Amanda
678 683 20 00	1.00	SFD	G	1.00	1.00	\$0.00	\$0.00	Chin Michael G&Tiffany Maelim Liu
678 683 21 00	1.00	SFD	G	1.00	1.00	\$0.00	\$0.00	Chen Evan Yee Wah&Nancie Shu Hui
678 683 22 00	1.00	SFD	G	1.00	1.00	\$0.00	\$0.00	Coleman Family Trust
678 683 23 00	1.00	SFD	G	1.00	1.00	\$0.00	\$0.00	Pansky Kevin&Jackson Vanessa
678 683 24 00	1.00	SFD	G	1.00	1.00	\$0.00	\$0.00	Shlita Sargon
678 683 25 00	1.00	SFD	G	1.00	1.00	\$0.00	\$0.00	Oreshack Family Revocable Trust 08-14-09
678 683 26 00	1.00	SFD	G	1.00	1.00	\$0.00	\$0.00	Tannous Joseph A&Isaac Manaar R
678 683 27 00	1.00	SFD	G	1.00	1.00	\$0.00	\$0.00	Iribarren Miguel&Sonja
678 683 28 00	1.00	SFD	G	1.00	1.00	\$0.00	\$0.00	Brenneis James A&Potenziani Cyrena K
678 683 29 00	1.00	SFD	G	1.00	1.00	\$0.00	\$0.00	Barba Daniel&Jill
678 683 30 00	1.00	SFD	G	1.00	1.00	\$0.00	\$0.00	Hunter Brent&Barbara
678 683 31 00	1.00	SFD	G	1.00	1.00	\$0.00	\$0.00	Sherwood Jennifer
678 683 32 00	1.00	SFD	G	1.00	1.00	\$0.00	\$0.00	Singh Chitranjan K&Sarita
678 683 33 00	1.00	SFD	G	1.00	1.00	\$0.00	\$0.00	Dayana Family Trust 05-28-09
678 683 34 00	1.00	SFD	G	1.00	1.00	\$0.00	\$0.00	Li Zhong Ze&Song Zan Bei
678 683 35 00	1.00	SFD	G	1.00	1.00	\$0.00	\$0.00	Badri Omeed&Lani Trust 03-04-12
678 683 36 00	1.00	SFD	G	1.00	1.00	\$0.00	\$0.00	Hansen Michael D&Michelle F
678 683 37 00	1.00	SFD	G	1.00	1.00	\$0.00	\$0.00	Pham Lan
678 683 38 00	1.00	SFD	G	1.00	1.00	\$0.00	\$0.00	E B Family Trust 01-09-15
678 683 39 00	1.00	SFD	G	1.00	1.00	\$0.00	\$0.00	Soliguen Max V&Aurora M
678 683 40 00	1.00	SFD	G	1.00	1.00	\$0.00	\$0.00	Yu Jianfeng&Tian Yanchun
678 683 41 00	0.79	PKU	G	0.50	0.40	\$0.00	\$0.00	Black Mountain Ranch L L C
678 683 42 00	0.43	OSP	G	0.00	0.00	\$0.00	\$0.00	Del Sur Community Assn
678 683 43 00	0.06	OSP	G	0.00	0.00	\$0.00	\$0.00	Del Sur Community Assn
678 683 44 00	0.03	OSP	G	0.00	0.00	\$0.00	\$0.00	Del Sur Community Assn
678 683 45 00	0.04	OSP	G	0.00	0.00	\$0.00	\$0.00	Del Sur Community Assn
678 683 46 00	0.04	OSP	G	0.00	0.00	\$0.00	\$0.00	Del Sur Community Assn
678 683 47 00	0.03	OSP	G	0.00	0.00	\$0.00	\$0.00	Del Sur Community Assn
678 683 48 00	0.03	OSP	G	0.00	0.00	\$0.00	\$0.00	Del Sur Community Assn
678 683 49 00	0.17	STR	G	0.00	0.00	\$0.00	\$0.00	Del Sur Community Assn
678 683 50 00	0.04	OSP	G	0.00	0.00	\$0.00	\$0.00	Black Mountain Ranch L L C
678 683 51 00	0.06	STR	G	0.00	0.00	\$0.00	\$0.00	Del Sur Community Assn
678 683 52 00	0.19	STR	G	0.00	0.00	\$0.00	\$0.00	Del Sur Community Assn
678 683 53 00	0.19	STR	G	0.00	0.00	\$0.00	\$0.00	Del Sur Community Assn

**EXHIBIT C - Assessment Roll (Fiscal Year 2020)**  
**Black Mountain Ranch North Maintenance Assessment District**

Parcel Number	Acres/ Units <sup>(1)</sup>	Land Use Code <sup>(2)</sup>	Zone	Land Use Factor <sup>(2)</sup>	Total EBUs	Unit Cost (\$/Ebu)	FY 2020 <sup>(3)</sup> Assessment	Owner Name
678 683 54 00	0.23	STR	G	0.00	0.00	\$0.00	\$0.00	Black Mountain Ranch L L C
678 683 55 00	0.05	OSP	G	0.00	0.00	\$0.00	\$0.00	Del Sur Community Assn
678 684 01 00	1.00	SFD	G	1.00	1.00	\$0.00	\$0.00	Davis Phillip L&Taliaferro Rita J
678 684 02 00	1.00	SFD	G	1.00	1.00	\$0.00	\$0.00	Potash Family Trust 07-27-12
678 684 03 00	1.00	SFD	G	1.00	1.00	\$0.00	\$0.00	Bradshaw Michael&Stephanie L
678 684 04 00	1.00	SFD	G	1.00	1.00	\$0.00	\$0.00	Kolker Matthew A&Michelle C
678 684 05 00	1.00	SFD	G	1.00	1.00	\$0.00	\$0.00	Balasubramanian Sairam&Sethuraman Brathibba
678 684 06 00	1.00	SFD	G	1.00	1.00	\$0.00	\$0.00	Voss Andrew&Deborah C
678 684 09 00	1.00	SFD	G	1.00	1.00	\$0.00	\$0.00	Koller Principal Living Trust 07-17-13
678 684 10 00	1.00	SFD	G	1.00	1.00	\$0.00	\$0.00	Shahapurkar Som&Sadanand Sushma
678 684 11 00	1.00	SFD	G	1.00	1.00	\$0.00	\$0.00	Kumar Sanjay&Arunee
678 684 12 00	1.00	SFD	G	1.00	1.00	\$0.00	\$0.00	Chan Family Trust 12-20-17
678 684 13 00	1.00	SFD	G	1.00	1.00	\$0.00	\$0.00	Enyedi Family Trust 03-21-16
678 684 14 00	1.00	SFD	G	1.00	1.00	\$0.00	\$0.00	Holly Jeremy&Stephanie
678 684 15 00	1.00	SFD	G	1.00	1.00	\$0.00	\$0.00	Witt Steven G&Beth A
678 684 16 00	1.00	SFD	G	1.00	1.00	\$0.00	\$0.00	Lofy Brian&Cheri
678 684 17 00	1.00	SFD	G	1.00	1.00	\$0.00	\$0.00	Meeter Family Revocable Living Trust 06-29-16
678 684 18 00	1.00	SFD	G	1.00	1.00	\$0.00	\$0.00	Sundarmurthy Keerthi R&Keerthi Madhumathi
678 684 19 00	1.00	SFD	G	1.00	1.00	\$0.00	\$0.00	Mcclintock Paul D
678 684 20 00	1.00	SFD	G	1.00	1.00	\$0.00	\$0.00	Pervez Rizwan
678 684 21 00	1.00	SFD	G	1.00	1.00	\$0.00	\$0.00	Burke Darren J&Patricia E Family Trust 03-06-15
678 684 27 00	6.32	OSP	G	0.00	0.00	\$0.00	\$0.00	Del Sur Community Association
678 684 29 00	0.11	OSP	G	0.00	0.00	\$0.00	\$0.00	Del Sur Community Association
678 684 33 00	1.00	SFD	G	1.00	1.00	\$0.00	\$0.00	Meggors Albert&Ashlea
678 684 34 00	1.00	SFD	G	1.00	1.00	\$0.00	\$0.00	Haragely Steven&Teresa
678 685 01 00	1.00	SFD	G	1.00	1.00	\$0.00	\$0.00	Anderson Gregory S
678 685 02 00	1.00	SFD	G	1.00	1.00	\$0.00	\$0.00	Rao Rohit&Aparna
678 685 03 00	1.00	SFD	G	1.00	1.00	\$0.00	\$0.00	Atwood Trust 09-19-14
678 685 04 00	1.00	SFD	G	1.00	1.00	\$0.00	\$0.00	Choy Gary T&Merilee G
678 685 05 00	1.00	SFD	G	1.00	1.00	\$0.00	\$0.00	Quayle Steven M&Aubrey T
678 685 06 00	1.00	SFD	G	1.00	1.00	\$0.00	\$0.00	Ramsey Mark R&Stone Jeanne T
678 685 07 00	1.00	SFD	G	1.00	1.00	\$0.00	\$0.00	Seetharamaiah Avinash&Shadan
678 685 08 00	1.00	SFD	G	1.00	1.00	\$0.00	\$0.00	Sankhya Trust 04-28-16
678 685 09 00	1.00	SFD	G	1.00	1.00	\$0.00	\$0.00	Dunlap Family Trust 05-21-09
678 685 10 00	1.00	SFD	G	1.00	1.00	\$0.00	\$0.00	Henson Family Trust 01-18-17
678 685 11 00	1.00	SFD	G	1.00	1.00	\$0.00	\$0.00	Hanson Derek A&Erinn K
678 685 12 00	1.00	SFD	G	1.00	1.00	\$0.00	\$0.00	Ekeroth Daniel&Erin
678 685 13 00	1.00	SFD	G	1.00	1.00	\$0.00	\$0.00	Tan Family Living 2016 Trust 05-06-16
678 685 14 00	1.00	SFD	G	1.00	1.00	\$0.00	\$0.00	Takenaga Marc M&Chang Michelle
678 685 15 00	1.00	SFD	G	1.00	1.00	\$0.00	\$0.00	Harsch Peter D&Mcvey Lauren B
678 685 16 00	1.00	SFD	G	1.00	1.00	\$0.00	\$0.00	Goodman Seth A&Chan Dana C
678 685 17 00	1.00	SFD	G	1.00	1.00	\$0.00	\$0.00	Spittler-Petersen Family Trust 10-20-14
678 685 18 00	1.00	SFD	G	1.00	1.00	\$0.00	\$0.00	Sibley Family Living Trust 03-13-09
678 685 19 00	1.00	SFD	G	1.00	1.00	\$0.00	\$0.00	Elmen Connie R
678 685 20 00	1.00	SFD	G	1.00	1.00	\$0.00	\$0.00	Hullings Kenneth A Jr&Lori W
678 685 21 00	1.00	SFD	G	1.00	1.00	\$0.00	\$0.00	Mcguire Christopher S&Kristen S
678 685 22 00	1.00	SFD	G	1.00	1.00	\$0.00	\$0.00	Radecic Matthew S&Chelsea A
678 685 23 00	1.00	SFD	G	1.00	1.00	\$0.00	\$0.00	Goldberg Gary&Lori A
678 685 24 00	1.00	SFD	G	1.00	1.00	\$0.00	\$0.00	Bowman Ian E Tr&Forman Selena Tr
678 685 25 00	1.00	SFD	G	1.00	1.00	\$0.00	\$0.00	Mager Michael J&Aimee L
678 685 26 00	1.00	SFD	G	1.00	1.00	\$0.00	\$0.00	Anand Rajeeve M&Primarilyn E
678 685 27 00	1.00	SFD	G	1.00	1.00	\$0.00	\$0.00	Ranka Jinendra&Tripti
678 685 28 00	1.00	SFD	G	1.00	1.00	\$0.00	\$0.00	Withee Brett&Krista Family 2013 Trust 12-02-13
678 685 29 00	1.00	SFD	G	1.00	1.00	\$0.00	\$0.00	Chen Woon Hay Paul&Hsieh Pauline Pei-Lan
678 685 30 00	1.00	SFD	G	1.00	1.00	\$0.00	\$0.00	Cariquitan Arvin K&Malonzo-Cariquitan Miriam K
678 685 31 00	1.00	SFD	G	1.00	1.00	\$0.00	\$0.00	Tran John Anthony&Jayne Le Revocable Trust 12-01-16
678 685 32 00	1.00	SFD	G	1.00	1.00	\$0.00	\$0.00	Sandrew Robert S&Rachel G
678 685 33 00	1.00	SFD	G	1.00	1.00	\$0.00	\$0.00	Black Charles E Jr&Diana D
678 685 34 00	1.00	SFD	G	1.00	1.00	\$0.00	\$0.00	Andrus Curtis L&Nichole

**EXHIBIT C - Assessment Roll (Fiscal Year 2020)**  
**Black Mountain Ranch North Maintenance Assessment District**

Parcel Number	Acres/ Units <sup>(1)</sup>	Land Use Code <sup>(2)</sup>	Zone	Land Use Factor <sup>(2)</sup>	Total EBU's	Unit Cost (\$/EBU)	FY 2020 <sup>(3)</sup> Assessment	Owner Name
678 685 35 00	1.00	SFD	G	1.00	1.00	\$0.00	\$0.00	He Jianqiang&Qin Yang
678 685 36 00	0.02	OSP	G	0.00	0.00	\$0.00	\$0.00	Black Mountain Ranch L L C
678 686 01 00	1.00	SFD	G	1.00	1.00	\$0.00	\$0.00	Wolff Eric D&Krista M
678 686 02 00	1.00	SFD	G	1.00	1.00	\$0.00	\$0.00	Weston Robert&Fiona
678 686 03 00	1.00	SFD	G	1.00	1.00	\$0.00	\$0.00	Kantor Paola
678 686 04 00	1.00	SFD	G	1.00	1.00	\$0.00	\$0.00	Miranda Luis&Adrianna
678 686 05 00	1.00	SFD	G	1.00	1.00	\$0.00	\$0.00	Dolan Michael J
678 686 06 00	1.00	SFD	G	1.00	1.00	\$0.00	\$0.00	Gao Han&Zhang Jiamei
678 686 07 00	1.00	SFD	G	1.00	1.00	\$0.00	\$0.00	Waggoner James F&Perri Deborah L
678 686 08 00	1.00	SFD	G	1.00	1.00	\$0.00	\$0.00	Diraimo Carol A Revocable Trust 06-26-15
678 686 09 00	1.00	SFD	G	1.00	1.00	\$0.00	\$0.00	Cobb Shawn&Lindsey
678 686 10 00	1.00	SFD	G	1.00	1.00	\$0.00	\$0.00	Herranen Juha&Anu Family 2015 Trust
678 686 11 00	1.00	SFD	G	1.00	1.00	\$0.00	\$0.00	Steinhaus Living Trust 09-21-17
678 686 12 00	1.00	SFD	G	1.00	1.00	\$0.00	\$0.00	Feng Lei&Liu Xin
678 686 13 00	1.00	SFD	G	1.00	1.00	\$0.00	\$0.00	Walker Robert D&Stephanie L
678 686 14 00	1.00	SFD	G	1.00	1.00	\$0.00	\$0.00	Carlson Kevin&Amanda
678 686 15 00	1.00	SFD	G	1.00	1.00	\$0.00	\$0.00	Payne Joseph E&Erin M
678 686 16 00	1.00	SFD	G	1.00	1.00	\$0.00	\$0.00	Bi Yu&Tian Allen
678 686 17 00	1.00	SFD	G	1.00	1.00	\$0.00	\$0.00	Rastogi Pranab&Shikha
678 686 18 00	1.00	SFD	G	1.00	1.00	\$0.00	\$0.00	Beer Family Trust 07-15-14
678 686 19 00	1.00	SFD	G	1.00	1.00	\$0.00	\$0.00	Daley Kevin J&Tracey M
678 686 20 00	1.00	SFD	G	1.00	1.00	\$0.00	\$0.00	Wang Yijie John
678 686 21 00	1.00	SFD	G	1.00	1.00	\$0.00	\$0.00	Xu Yimin&Xiao Ping
678 686 22 00	1.00	SFD	G	1.00	1.00	\$0.00	\$0.00	Goodman Brett B&Julie C Trs
678 686 23 00	1.00	SFD	G	1.00	1.00	\$0.00	\$0.00	Dickey David&Yadira
678 686 24 00	1.00	SFD	G	1.00	1.00	\$0.00	\$0.00	Xu Shan Bei&Chen Ying Yu
678 686 25 00	1.00	SFD	G	1.00	1.00	\$0.00	\$0.00	Magnus Richard D&Candice D
678 686 26 00	1.00	SFD	G	1.00	1.00	\$0.00	\$0.00	Pusala Siva P&Manda Nirmala S
678 686 27 00	1.00	SFD	G	1.00	1.00	\$0.00	\$0.00	Megally Sami H&Hanna Silvana S
678 686 28 00	1.00	SFD	G	1.00	1.00	\$0.00	\$0.00	Ward James R&Yuson Chris S
678 686 29 00	1.00	SFD	G	1.00	1.00	\$0.00	\$0.00	Fan Mingxi
678 686 30 00	1.00	SFD	G	1.00	1.00	\$0.00	\$0.00	Marzano Family Trust 12-21-17
678 686 31 00	1.00	SFD	G	1.00	1.00	\$0.00	\$0.00	Caslin David M&Lemkuil Ann
678 686 32 00	1.00	SFD	G	1.00	1.00	\$0.00	\$0.00	Muzaffer Mohamed&Valimohideen Zainab
678 686 33 00	1.00	SFD	G	1.00	1.00	\$0.00	\$0.00	Tan Hiang Chuan&Lau Jui Yen
678 686 34 00	1.00	SFD	G	1.00	1.00	\$0.00	\$0.00	Raut Abhay A&Mahalle Asmita P
678 686 35 00	1.00	SFD	G	1.00	1.00	\$0.00	\$0.00	Derringer Jordan S&Jaime E
678 686 36 00	1.00	SFD	G	1.00	1.00	\$0.00	\$0.00	Phung Anthony Van&Melody
678 686 37 00	1.00	SFD	G	1.00	1.00	\$0.00	\$0.00	Vargas Andres
678 686 38 00	1.00	SFD	G	1.00	1.00	\$0.00	\$0.00	Sadassivam Suresh K&Ramalingam Uma M
678 686 39 00	1.00	SFD	G	1.00	1.00	\$0.00	\$0.00	Zien Harvey Y&Jade Y
678 686 40 00	1.00	SFD	G	1.00	1.00	\$0.00	\$0.00	Daoud Family Trust 01-17-18
678 686 41 00	1.00	SFD	G	1.00	1.00	\$0.00	\$0.00	Bellam Sasi K
678 686 42 00	1.00	SFD	G	1.00	1.00	\$0.00	\$0.00	Dinesh Jude&Appugounder Kayalvizhi
678 686 43 00	1.00	SFD	G	1.00	1.00	\$0.00	\$0.00	Nelson Family Trust 08-20-08
678 686 44 00	1.00	SFD	G	1.00	1.00	\$0.00	\$0.00	Marcos Ryan&Michelle C
678 686 45 00	1.00	SFD	G	1.00	1.00	\$0.00	\$0.00	Lee Family Trust 08-06-13
678 686 46 00	1.00	SFD	G	1.00	1.00	\$0.00	\$0.00	Hayden Jeremy&Kyla
678 686 47 00	1.00	SFD	G	1.00	1.00	\$0.00	\$0.00	Ko Young Hwan&Seo Eunjung
678 686 48 00	1.00	SFD	G	1.00	1.00	\$0.00	\$0.00	Cui Yang&Zhang Qing
678 686 49 00	1.00	SFD	G	1.00	1.00	\$0.00	\$0.00	Runyan Timothy G&Kristin C
678 686 50 00	1.25	OSP	G	0.00	0.00	\$0.00	\$0.00	Del Sur Community Association
678 686 51 00	0.22	OSP	G	0.00	0.00	\$0.00	\$0.00	Del Sur Community Assn
678 686 52 00	0.12	OSP	G	0.00	0.00	\$0.00	\$0.00	Del Sur Community Assn
678 686 53 00	0.02	OSP	G	0.00	0.00	\$0.00	\$0.00	Black Mountain Ranch L L C
678 686 54 00	1.73	OSP	G	0.00	0.00	\$0.00	\$0.00	Del Sur Community Assn
678 686 55 00	0.08	OSP	G	0.00	0.00	\$0.00	\$0.00	Del Sur Community Assn
678 686 56 00	0.04	OSP	G	0.00	0.00	\$0.00	\$0.00	Del Sur Community Association
678 686 57 00	0.07	STR	G	0.00	0.00	\$0.00	\$0.00	Del Sur Community Assn

## EXHIBIT C - Assessment Roll (Fiscal Year 2020)

### Black Mountain Ranch North Maintenance Assessment District

Parcel Number	Acres/ Units <sup>(1)</sup>	Land Use Code <sup>(2)</sup>	Zone	Land Use Factor <sup>(2)</sup>	Total EBUs	Unit Cost (\$/Ebu)	FY 2020 <sup>(3)</sup> Assessment	Owner Name
678 686 58 00	0.15	STR	G	0.00	0.00	\$0.00	\$0.00	Del Sur Community Assn
678 686 59 00	0.16	STR	G	0.00	0.00	\$0.00	\$0.00	Del Sur Community Assn
678 686 60 00	1.43	STR	G	0.00	0.00	\$0.00	\$0.00	Black Mountain Ranch L L C
678 686 61 00	1.80	OSP	G	0.00	0.00	\$0.00	\$0.00	Del Sur Community Association
678 687 01 00	1.00	SFD	G	1.00	1.00	\$0.00	\$0.00	Dietrich George R&Nancy A Family Living Trust 06-28-05
678 687 02 00	1.00	SFD	G	1.00	1.00	\$0.00	\$0.00	Mercer Garrett J&Lena R
678 687 03 00	1.00	SFD	G	1.00	1.00	\$0.00	\$0.00	Jin Liang&Cai Jing
678 687 04 00	1.00	SFD	G	1.00	1.00	\$0.00	\$0.00	Mishra Saurabh&Hemlata
678 687 05 00	1.00	SFD	G	1.00	1.00	\$0.00	\$0.00	Shah Bhavik K&Priyanka
678 687 06 00	1.00	SFD	G	1.00	1.00	\$0.00	\$0.00	Jain Himanshu&Sharma Sakshi
678 687 07 00	1.00	SFD	G	1.00	1.00	\$0.00	\$0.00	Jelensky Kevin J&Angelina M
678 687 08 00	1.00	SFD	G	1.00	1.00	\$0.00	\$0.00	Rubenstein Michael&Alexi
678 687 09 00	1.00	SFD	G	1.00	1.00	\$0.00	\$0.00	Fischer Mark A&Carolyn M Family Trust 11-28-95
678 687 10 00	1.00	SFD	G	1.00	1.00	\$0.00	\$0.00	Huckabay Evan M
678 687 11 00	1.00	SFD	G	1.00	1.00	\$0.00	\$0.00	Lim Junior&Hong Annie
678 687 12 00	1.00	SFD	G	1.00	1.00	\$0.00	\$0.00	Ikeda Naomi C
678 687 13 00	1.00	SFD	G	1.00	1.00	\$0.00	\$0.00	Kennedy Ryan W&Jennifer
678 687 14 00	1.00	SFD	G	1.00	1.00	\$0.00	\$0.00	Mishra Chinmaya&Misra Rasmita
678 687 15 00	1.00	SFD	G	1.00	1.00	\$0.00	\$0.00	Adolpho Isaac&Rachelle D
678 687 16 00	1.00	SFD	G	1.00	1.00	\$0.00	\$0.00	Sandre Roberto&Zanese Susy
678 687 17 00	1.00	SFD	G	1.00	1.00	\$0.00	\$0.00	Cruz Evan M E&Catherine T
678 687 18 00	1.00	SFD	G	1.00	1.00	\$0.00	\$0.00	Gregory Roger&Tracey Revocable Trust 06-02-17
678 687 19 00	1.00	SFD	G	1.00	1.00	\$0.00	\$0.00	Patrawala Neville&Urvisha D
678 687 20 00	1.00	SFD	G	1.00	1.00	\$0.00	\$0.00	Venkatachalam Ramesh&Siddaramappa Brunda
678 687 21 00	1.00	SFD	G	1.00	1.00	\$0.00	\$0.00	Thompson Terry L&Dawn M
678 687 22 00	0.04	OSP	G	0.00	0.00	\$0.00	\$0.00	Black Mountain Ranch L L C
678 690 06 00	2.29	COM	F	45.00	103.05	\$0.00	\$0.00	Del Sur Tc Llc
678 690 07 00	1.76	COM	F	45.00	79.20	\$0.00	\$0.00	Del Sur Tc Llc
678 690 26 01	1.00	CND	G	0.70	0.70	\$0.00	\$0.00	Pourteymour Family Trust 03-01-07
678 690 26 02	1.00	CND	G	0.70	0.70	\$0.00	\$0.00	Maciejewski Bradley&Winn Elizabeth
678 690 26 03	1.00	CND	G	0.70	0.70	\$0.00	\$0.00	Behar David&Debehar Sara Y
678 690 26 04	1.00	CND	G	0.70	0.70	\$0.00	\$0.00	Latimer Byron C
678 690 26 05	1.00	CND	G	0.70	0.70	\$0.00	\$0.00	Liu Rong&Yue
678 690 26 06	1.00	CND	G	0.70	0.70	\$0.00	\$0.00	Li Haochen&Ting Alice
678 690 26 07	1.00	CND	G	0.70	0.70	\$0.00	\$0.00	Lambodhar Bhupal T
678 690 26 08	1.00	CND	G	0.70	0.70	\$0.00	\$0.00	Lee Soosook
678 690 26 09	1.00	CND	G	0.70	0.70	\$0.00	\$0.00	Caraveo Omar M
678 690 26 10	1.00	CND	G	0.70	0.70	\$0.00	\$0.00	R B B 2018 Irrevocable Trust 11-09-18
678 690 26 11	1.00	CND	G	0.70	0.70	\$0.00	\$0.00	Lam Jonathan
678 690 26 12	1.00	CND	G	0.70	0.70	\$0.00	\$0.00	Mukherjee Samir T&Kamat Rujvi
678 690 26 13	1.00	CND	G	0.70	0.70	\$0.00	\$0.00	Spic Del Sur Llc
678 690 26 14	1.00	CND	G	0.70	0.70	\$0.00	\$0.00	Spic Del Sur Llc
678 690 26 15	1.00	CND	G	0.70	0.70	\$0.00	\$0.00	Spic Del Sur Llc
678 690 26 16	1.00	CND	G	0.70	0.70	\$0.00	\$0.00	Chang Albert&Wendy
678 690 26 17	1.00	CND	G	0.70	0.70	\$0.00	\$0.00	Spic Del Sur Llc
678 690 26 18	1.00	CND	G	0.70	0.70	\$0.00	\$0.00	Spic Del Sur Llc
678 690 26 19	1.00	CND	G	0.70	0.70	\$0.00	\$0.00	Spic Del Sur Llc
678 690 26 20	1.00	CND	G	0.70	0.70	\$0.00	\$0.00	Spic Del Sur Llc
678 690 26 21	1.00	CND	G	0.70	0.70	\$0.00	\$0.00	Spic Del Sur Llc
678 690 26 22	1.00	CND	G	0.70	0.70	\$0.00	\$0.00	Shay Raymond A
678 690 26 23	1.00	CND	G	0.70	0.70	\$0.00	\$0.00	Li Evgeny&Kristina V
678 690 26 24	1.00	CND	G	0.70	0.70	\$0.00	\$0.00	Johnson Joshua&Kumaraswamy Monika
678 690 26 25	1.00	CND	G	0.70	0.70	\$0.00	\$0.00	Won Samuel&Wonju
678 690 26 26	1.00	CND	G	0.70	0.70	\$0.00	\$0.00	Spic Del Sur Llc
678 690 26 27	1.00	CND	G	0.70	0.70	\$0.00	\$0.00	Spic Del Sur Llc
678 690 26 28	1.00	CND	G	0.70	0.70	\$0.00	\$0.00	Spic Del Sur Llc
678 690 26 29	1.00	CND	G	0.70	0.70	\$0.00	\$0.00	Spic Del Sur Llc
678 690 26 30	1.00	CND	G	0.70	0.70	\$0.00	\$0.00	Spic Del Sur Llc
678 690 26 31	1.00	CND	G	0.70	0.70	\$0.00	\$0.00	Spic Del Sur Llc

**EXHIBIT C - Assessment Roll (Fiscal Year 2020)**  
**Black Mountain Ranch North Maintenance Assessment District**

Parcel Number	Acres/ Units <sup>(1)</sup>	Land Use Code <sup>(2)</sup>	Zone	Land Use Factor <sup>(2)</sup>	Total EBU's	Unit Cost (\$/EBU)	FY 2020 <sup>(3)</sup> Assessment	Owner Name
678 690 26 32	1.00	CND	G	0.70	0.70	\$0.00	\$0.00	Spic Del Sur Llc
678 690 26 33	1.00	CND	G	0.70	0.70	\$0.00	\$0.00	Spic Del Sur Llc
678 690 26 34	1.00	CND	G	0.70	0.70	\$0.00	\$0.00	Spic Del Sur Llc
678 690 26 35	1.00	CND	G	0.70	0.70	\$0.00	\$0.00	Spic Del Sur Llc
678 690 26 36	1.00	CND	G	0.70	0.70	\$0.00	\$0.00	Yuan Lynn
678 690 26 37	1.00	CND	G	0.70	0.70	\$0.00	\$0.00	Park Paul&Elizabeth
678 690 26 38	1.00	CND	G	0.70	0.70	\$0.00	\$0.00	Li Dechang&Chen Zhiyin
678 690 26 39	1.00	CND	G	0.70	0.70	\$0.00	\$0.00	Yao Bin&Liu Mengying
678 690 26 40	1.00	CND	G	0.70	0.70	\$0.00	\$0.00	Spic Del Sur Llc
678 690 26 41	1.00	CND	G	0.70	0.70	\$0.00	\$0.00	Matanza Marc
678 690 26 42	1.00	CND	G	0.70	0.70	\$0.00	\$0.00	Spic Del Sur Llc
678 690 26 43	1.00	CND	G	0.70	0.70	\$0.00	\$0.00	Anderson Neil G
678 690 26 44	1.00	CND	G	0.70	0.70	\$0.00	\$0.00	Hartman Kurt&Karlee
678 690 26 45	1.00	CND	G	0.70	0.70	\$0.00	\$0.00	Nguyen Alexander T&Santos Megan T
678 690 26 46	1.00	CND	G	0.70	0.70	\$0.00	\$0.00	Eftekhari Hessam
678 690 29 00	10.42	COM	F	45.00	468.90	\$0.00	\$0.00	Target Corporation
678 690 30 00	1.26	COM	F	45.00	56.70	\$0.00	\$0.00	Del Sur Tc Llc
678 690 31 00	0.98	COM	F	45.00	44.10	\$0.00	\$0.00	Del Sur Tc Llc
678 690 32 00	2.38	COM	F	45.00	107.10	\$0.00	\$0.00	Del Sur Tc Llc
678 690 34 01	1.00	CND	G	0.70	0.70	\$0.00	\$0.00	Tanaki Prasad&Kalagara Sowmya
678 690 34 02	1.00	CND	G	0.70	0.70	\$0.00	\$0.00	Gutierrez Rogelio Jr&Jeanette P
678 690 34 03	1.00	CND	G	0.70	0.70	\$0.00	\$0.00	Mehta Abhinav&Singhvi Shruti
678 690 34 04	1.00	CND	G	0.70	0.70	\$0.00	\$0.00	Yutangco Family Trust
678 690 34 05	1.00	CND	G	0.70	0.70	\$0.00	\$0.00	Mundlapudi Sraavan R
678 690 35 01	1.00	CND	G	0.70	0.70	\$0.00	\$0.00	Alegre Jessica Trust 09-22-15
678 690 35 02	1.00	CND	G	0.70	0.70	\$0.00	\$0.00	Cressman William S&Juliana A
678 690 35 03	1.00	CND	G	0.70	0.70	\$0.00	\$0.00	Bernard Stephanie
678 690 35 04	1.00	CND	G	0.70	0.70	\$0.00	\$0.00	Presnell James M
678 690 35 05	1.00	CND	G	0.70	0.70	\$0.00	\$0.00	Tran Rick T&Karen Y
678 690 36 01	1.00	CND	G	0.70	0.70	\$0.00	\$0.00	Little John K&Tara R
678 690 36 02	1.00	CND	G	0.70	0.70	\$0.00	\$0.00	Jolians Farms Lc
678 690 36 03	1.00	CND	G	0.70	0.70	\$0.00	\$0.00	Parameswaran Viswesh&Suresh Ramya
678 690 36 04	1.00	CND	G	0.70	0.70	\$0.00	\$0.00	Yang Shu Ji&Mai Guo Qun
678 690 38 01	1.00	CND	G	0.70	0.70	\$0.00	\$0.00	Cantu-Gonzalez Gloria D
678 690 38 02	1.00	CND	G	0.70	0.70	\$0.00	\$0.00	Moore Ryan&Lisa M
678 690 38 03	1.00	CND	G	0.70	0.70	\$0.00	\$0.00	Patti Christopher J&Liu Xinmei
678 690 38 04	1.00	CND	G	0.70	0.70	\$0.00	\$0.00	Nimbalaker Adhish&Jahagirdar Manasi
678 690 38 05	1.00	CND	G	0.70	0.70	\$0.00	\$0.00	Lazy Diamond W Trust 07-27-06
678 690 39 01	1.00	CND	G	0.70	0.70	\$0.00	\$0.00	Arbuckle James F&Natalie D Revocable Living Trust 03-28
678 690 39 02	1.00	CND	G	0.70	0.70	\$0.00	\$0.00	Tanner Robert M Iii&Melissa A
678 690 39 03	1.00	CND	G	0.70	0.70	\$0.00	\$0.00	Nguyen Anthony H
678 690 39 04	1.00	CND	G	0.70	0.70	\$0.00	\$0.00	Vinson Andrea J
678 690 39 05	1.00	CND	G	0.70	0.70	\$0.00	\$0.00	Punzalan Jason&Candice
678 690 39 06	1.00	CND	G	0.70	0.70	\$0.00	\$0.00	Torbert Jason&Alexis
678 690 40 01	1.00	CND	G	0.70	0.70	\$0.00	\$0.00	Jaqua Marcy A
678 690 40 02	1.00	CND	G	0.70	0.70	\$0.00	\$0.00	Savchin Irene
678 690 40 03	1.00	CND	G	0.70	0.70	\$0.00	\$0.00	Duong Harrison&Hsieh Jane
678 690 40 04	1.00	CND	G	0.70	0.70	\$0.00	\$0.00	Kim John&Mimi Family Trust 04-21-15
678 690 42 01	1.00	CND	G	0.70	0.70	\$0.00	\$0.00	Meisel Dan&Osnat
678 690 42 02	1.00	CND	G	0.70	0.70	\$0.00	\$0.00	Wong Garret&Joanne
678 690 42 03	1.00	CND	G	0.70	0.70	\$0.00	\$0.00	Shah Prasanna S&Suchi P
678 690 42 04	1.00	CND	G	0.70	0.70	\$0.00	\$0.00	Felder Robert
678 690 42 05	1.00	CND	G	0.70	0.70	\$0.00	\$0.00	Tran Tahny Xuan-Phuong
678 690 43 01	1.00	CND	G	0.70	0.70	\$0.00	\$0.00	Dinh Mark C&Duong Hanh B
678 690 43 02	1.00	CND	G	0.70	0.70	\$0.00	\$0.00	Reever Lisa M
678 690 43 03	1.00	CND	G	0.70	0.70	\$0.00	\$0.00	Lige Julius M&Jaronda T
678 690 43 04	1.00	CND	G	0.70	0.70	\$0.00	\$0.00	Maquera Living Trust 03-20-15
678 690 43 05	1.00	CND	G	0.70	0.70	\$0.00	\$0.00	Pitta Esvara R&Madhuri
678 690 44 01	1.00	CND	G	0.70	0.70	\$0.00	\$0.00	Tong Gregory&Culling

**EXHIBIT C - Assessment Roll (Fiscal Year 2020)**  
**Black Mountain Ranch North Maintenance Assessment District**

Parcel Number	Acres/ Units <sup>(1)</sup>	Land Use Code <sup>(2)</sup>	Zone	Land Use Factor <sup>(2)</sup>	Total EBU's	Unit Cost (\$/EBU)	FY 2020 <sup>(3)</sup> Assessment	Owner Name
678 690 44 02	1.00	CND	G	0.70	0.70	\$0.00	\$0.00	Guha Subhadeep&Priyanka
678 690 44 03	1.00	CND	G	0.70	0.70	\$0.00	\$0.00	Towle Kimberly
678 690 44 04	1.00	CND	G	0.70	0.70	\$0.00	\$0.00	Sadeghi Reza S
678 690 45 00	1.50	STR	G	0.00	0.00	\$0.00	\$0.00	Calatlantic Group Inc
678 690 46 00	1.68	COM	F	45.00	75.60	\$0.00	\$0.00	Fairbanks Terrace C I C Lp
678 690 47 00	83.00	MFR	F	0.70	58.10	\$0.00	\$0.00	Fairbanks Terrace C I C Lp
678 690 48 00	1.09	OSP	F	0.00	0.00	\$0.00	\$0.00	Black Mountain Ranch L L C
678 690 48 00	0.23	UTL	F	3.00	0.69	\$0.00	\$0.00	Black Mountain Ranch L L C
678 690 49 00	3.24	IND	F	15.00	48.60	\$0.00	\$0.00	Sharp Healthcare
678 690 51 01	1.00	CND	G	0.70	0.70	\$0.00	\$0.00	Dang Vu Anh&Trang Thu
678 690 51 02	1.00	CND	G	0.70	0.70	\$0.00	\$0.00	Lederer Family Trust 08-29-02
678 690 51 03	1.00	CND	G	0.70	0.70	\$0.00	\$0.00	Hobbs Michael T&Sara W
678 690 51 04	1.00	CND	G	0.70	0.70	\$0.00	\$0.00	Hames Michael J&Rinko
678 690 51 05	1.00	CND	G	0.70	0.70	\$0.00	\$0.00	Chu Nicholas
678 690 51 06	1.00	CND	G	0.70	0.70	\$0.00	\$0.00	Aufmann Kevin B&Michelle L
678 690 51 07	1.00	CND	G	0.70	0.70	\$0.00	\$0.00	Otake Masashi
678 690 52 01	1.00	CND	G	0.70	0.70	\$0.00	\$0.00	Castillo Gilbert E&Rivera Erica P
678 690 52 02	1.00	CND	G	0.70	0.70	\$0.00	\$0.00	Hewett David K
678 690 52 03	1.00	CND	G	0.70	0.70	\$0.00	\$0.00	Medina Ronnie M&Sandra R
678 690 52 04	1.00	CND	G	0.70	0.70	\$0.00	\$0.00	Lay Edmond J&Lau Jackie Wai-Chi
678 690 52 05	1.00	CND	G	0.70	0.70	\$0.00	\$0.00	Liu Kun-Wei&Chen Zhihui
678 690 53 01	1.00	CND	G	0.70	0.70	\$0.00	\$0.00	Mallari Efen A Jr&Melissa D
678 690 53 02	1.00	CND	G	0.70	0.70	\$0.00	\$0.00	Anaya Rashida
678 690 53 03	1.00	CND	G	0.70	0.70	\$0.00	\$0.00	Lu Xiao&Liu Xinwen
678 690 53 04	1.00	CND	G	0.70	0.70	\$0.00	\$0.00	Zheng Ran&Zhou Jing
678 690 53 05	1.00	CND	G	0.70	0.70	\$0.00	\$0.00	Bikkumala Manohar&Adimulam Santoshini
678 690 54 01	1.00	CND	G	0.70	0.70	\$0.00	\$0.00	Sarno Remigio D&Cresenciana R
678 690 54 02	1.00	CND	G	0.70	0.70	\$0.00	\$0.00	Vakkala Sai Krishna&Pullepu Vijaya Lakshmi
678 690 54 03	1.00	CND	G	0.70	0.70	\$0.00	\$0.00	Pourteymour Family Trust 03-01-07
678 690 54 04	1.00	CND	G	0.70	0.70	\$0.00	\$0.00	Forsythe Adam J&Ong Christine M
678 690 54 05	1.00	CND	G	0.70	0.70	\$0.00	\$0.00	Robinson Family Trust 08-13-15
678 690 54 06	1.00	CND	G	0.70	0.70	\$0.00	\$0.00	Burnett Christopher A&Scott Alicia M
678 690 55 01	1.00	CND	G	0.70	0.70	\$0.00	\$0.00	Saks Jason&Kim A
678 690 55 02	1.00	CND	G	0.70	0.70	\$0.00	\$0.00	Rane Ankur C&Seshadri Swathi
678 690 55 03	1.00	CND	G	0.70	0.70	\$0.00	\$0.00	Anchlia Mohit
678 690 55 04	1.00	CND	G	0.70	0.70	\$0.00	\$0.00	Roberts Joe&Jamie
678 690 55 05	1.00	CND	G	0.70	0.70	\$0.00	\$0.00	Thomas Christopher&Gillespie-Thomas Dewonia
678 690 55 06	1.00	CND	G	0.70	0.70	\$0.00	\$0.00	Ravindrakumar Hari K&Nair Vidhu M
678 690 55 07	1.00	CND	G	0.70	0.70	\$0.00	\$0.00	Patel Devesh K&Tina
678 690 56 01	1.00	CND	G	0.70	0.70	\$0.00	\$0.00	Spic Del Sur Llc
678 690 56 02	1.00	CND	G	0.70	0.70	\$0.00	\$0.00	Qu Qiang
678 690 56 03	1.00	CND	G	0.70	0.70	\$0.00	\$0.00	Spic Del Sur Llc
678 690 56 04	1.00	CND	G	0.70	0.70	\$0.00	\$0.00	Wen Dunyong&Chen Lei
678 690 56 05	1.00	CND	G	0.70	0.70	\$0.00	\$0.00	Nadar Anandrakesh T&Babitha A
678 690 56 06	1.00	CND	G	0.70	0.70	\$0.00	\$0.00	Spic Del Sur Llc
678 690 56 07	1.00	CND	G	0.70	0.70	\$0.00	\$0.00	Spic Del Sur Llc
678 690 57 01	1.00	CND	G	0.70	0.70	\$0.00	\$0.00	Younger James&Monica
678 690 57 02	1.00	CND	G	0.70	0.70	\$0.00	\$0.00	Lopes Cleverson P&Barbara S M
678 690 57 03	1.00	CND	G	0.70	0.70	\$0.00	\$0.00	Spic Del Sur Llc
678 690 57 04	1.00	CND	G	0.70	0.70	\$0.00	\$0.00	Spic Del Sur Llc
678 690 57 05	1.00	CND	G	0.70	0.70	\$0.00	\$0.00	Burke David M&Morin Mary K
678 690 57 06	1.00	CND	G	0.70	0.70	\$0.00	\$0.00	Spic Del Sur Llc
678 690 58 01	1.00	CND	G	0.70	0.70	\$0.00	\$0.00	Spic Del Sur Llc
678 690 58 02	1.00	CND	G	0.70	0.70	\$0.00	\$0.00	Spic Del Sur Llc
678 690 58 03	1.00	CND	G	0.70	0.70	\$0.00	\$0.00	Spic Del Sur Llc
678 690 58 04	1.00	CND	G	0.70	0.70	\$0.00	\$0.00	Spic Del Sur Llc
678 690 58 05	1.00	CND	G	0.70	0.70	\$0.00	\$0.00	Spic Del Sur Llc
678 690 58 06	1.00	CND	G	0.70	0.70	\$0.00	\$0.00	Spic Del Sur Llc
678 690 58 07	1.00	CND	G	0.70	0.70	\$0.00	\$0.00	Spic Del Sur Llc

## EXHIBIT C - Assessment Roll (Fiscal Year 2020)

### Black Mountain Ranch North Maintenance Assessment District

Parcel Number	Acres/ Units <sup>(1)</sup>	Land Use Code <sup>(2)</sup>	Zone	Land Use Factor <sup>(2)</sup>	Total EBU's	Unit Cost (\$/EBU)	FY 2020 <sup>(3)</sup> Assessment	Owner Name
678 690 59 00	4.07	STR	G	0.00	0.00	\$0.00	\$0.00	Spic Del Sur Llc
678 690 60 01	1.00	CND	F	0.70	0.70	\$0.00	\$0.00	Hill Devin M
678 690 60 02	1.00	CND	F	0.70	0.70	\$0.00	\$0.00	Tollesstrup Matthew R
678 690 60 03	1.00	CND	F	0.70	0.70	\$0.00	\$0.00	Akef Jay 2014 Revocable Trust 12-08-14
678 690 60 04	1.00	CND	F	0.70	0.70	\$0.00	\$0.00	Modhwadia Mamta
678 690 60 05	1.00	CND	F	0.70	0.70	\$0.00	\$0.00	Sturgis Nathan&Megan L
678 690 60 06	1.00	CND	F	0.70	0.70	\$0.00	\$0.00	Liu Cheng Yueh
678 690 60 07	1.00	CND	F	0.70	0.70	\$0.00	\$0.00	Carrillo Rebecca
678 690 60 08	1.00	CND	F	0.70	0.70	\$0.00	\$0.00	Kincal Serkan&Dilek
678 690 60 09	1.00	CND	F	0.70	0.70	\$0.00	\$0.00	Spic Del Sur Llc
678 690 60 10	1.00	CND	F	0.70	0.70	\$0.00	\$0.00	Fillius James R Iii
678 690 60 11	1.00	CND	F	0.70	0.70	\$0.00	\$0.00	Orr Justin&Charlotte
678 690 60 12	1.00	CND	F	0.70	0.70	\$0.00	\$0.00	Vira Purvi
678 690 60 13	1.00	CND	F	0.70	0.70	\$0.00	\$0.00	Yang Haiqing
678 690 60 14	1.00	CND	F	0.70	0.70	\$0.00	\$0.00	Tran Vinh Hien&My Ta
678 690 60 15	1.00	CND	F	0.70	0.70	\$0.00	\$0.00	Vachhani Ami Kishor
678 690 60 16	1.00	CND	F	0.70	0.70	\$0.00	\$0.00	Parsons Michael A&Christine M
678 690 60 17	1.00	CND	F	0.70	0.70	\$0.00	\$0.00	Kannan Balaji
678 690 60 18	1.00	CND	F	0.70	0.70	\$0.00	\$0.00	Hill Duncan A
678 690 60 19	1.00	CND	F	0.70	0.70	\$0.00	\$0.00	Spic Del Sur Llc
678 690 60 20	1.00	CND	F	0.70	0.70	\$0.00	\$0.00	Spic Del Sur Llc
678 690 60 21	1.00	CND	F	0.70	0.70	\$0.00	\$0.00	Spic Del Sur Llc
678 690 60 22	1.00	CND	F	0.70	0.70	\$0.00	\$0.00	Spic Del Sur Llc
678 690 60 23	1.00	CND	F	0.70	0.70	\$0.00	\$0.00	Spic Del Sur Llc
678 690 60 24	1.00	CND	F	0.70	0.70	\$0.00	\$0.00	Spic Del Sur Llc
678 690 60 25	1.00	CND	F	0.70	0.70	\$0.00	\$0.00	Spic Del Sur Llc
678 690 60 26	1.00	CND	F	0.70	0.70	\$0.00	\$0.00	Spic Del Sur Llc
678 690 60 27	1.00	CND	F	0.70	0.70	\$0.00	\$0.00	Spic Del Sur Llc
678 690 60 28	1.00	CND	F	0.70	0.70	\$0.00	\$0.00	Spic Del Sur Llc
678 690 60 29	1.00	CND	F	0.70	0.70	\$0.00	\$0.00	Woolf Julie M
678 690 60 30	1.00	CND	F	0.70	0.70	\$0.00	\$0.00	Spic Del Sur Llc
678 690 60 31	1.00	CND	F	0.70	0.70	\$0.00	\$0.00	Hamilton Geoffrey N&Nadia
678 690 60 32	1.00	CND	F	0.70	0.70	\$0.00	\$0.00	Su Yu Hsiang&Hung Yin Jou
678 690 60 33	1.00	CND	F	0.70	0.70	\$0.00	\$0.00	Flowers Margaret
678 690 60 34	1.00	CND	F	0.70	0.70	\$0.00	\$0.00	Hering Bradley J Trust 10-28-15
678 690 60 35	1.00	CND	F	0.70	0.70	\$0.00	\$0.00	Spic Del Sur Llc
678 690 60 36	1.00	CND	F	0.70	0.70	\$0.00	\$0.00	Spic Del Sur Llc
678 690 60 37	1.00	CND	F	0.70	0.70	\$0.00	\$0.00	Spic Del Sur Llc
678 690 60 38	1.00	CND	F	0.70	0.70	\$0.00	\$0.00	Spic Del Sur Llc
678 690 60 39	1.00	CND	F	0.70	0.70	\$0.00	\$0.00	Spic Del Sur Llc
678 690 60 40	1.00	CND	F	0.70	0.70	\$0.00	\$0.00	Spic Del Sur Llc
678 690 60 41	1.00	CND	F	0.70	0.70	\$0.00	\$0.00	Spic Del Sur Llc
678 690 60 42	1.00	CND	F	0.70	0.70	\$0.00	\$0.00	Spic Del Sur Llc
678 690 60 43	1.00	CND	F	0.70	0.70	\$0.00	\$0.00	Spic Del Sur Llc
678 690 60 44	1.00	CND	F	0.70	0.70	\$0.00	\$0.00	Spic Del Sur Llc
678 690 60 45	1.00	CND	F	0.70	0.70	\$0.00	\$0.00	Spic Del Sur Llc
678 690 60 46	1.00	CND	F	0.70	0.70	\$0.00	\$0.00	Spic Del Sur Llc
678 690 60 47	1.00	CND	F	0.70	0.70	\$0.00	\$0.00	Spic Del Sur Llc
678 690 60 48	1.00	CND	F	0.70	0.70	\$0.00	\$0.00	Spic Del Sur Llc
678 690 60 49	1.00	CND	F	0.70	0.70	\$0.00	\$0.00	Spic Del Sur Llc
678 690 60 50	1.00	CND	F	0.70	0.70	\$0.00	\$0.00	Spic Del Sur Llc
678 690 60 51	1.00	CND	F	0.70	0.70	\$0.00	\$0.00	Spic Del Sur Llc
678 690 60 52	1.00	CND	F	0.70	0.70	\$0.00	\$0.00	Spic Del Sur Llc
678 690 60 53	1.00	CND	F	0.70	0.70	\$0.00	\$0.00	Spic Del Sur Llc
678 690 60 54	1.00	CND	F	0.70	0.70	\$0.00	\$0.00	Spic Del Sur Llc
678 690 60 55	1.00	CND	F	0.70	0.70	\$0.00	\$0.00	Spic Del Sur Llc
678 690 60 56	1.00	CND	F	0.70	0.70	\$0.00	\$0.00	Spic Del Sur Llc
678 690 60 57	1.00	CND	F	0.70	0.70	\$0.00	\$0.00	Spic Del Sur Llc
678 690 60 58	1.00	CND	F	0.70	0.70	\$0.00	\$0.00	Spic Del Sur Llc

## EXHIBIT C - Assessment Roll (Fiscal Year 2020)

### Black Mountain Ranch North Maintenance Assessment District

Parcel Number	Acres/ Units <sup>(1)</sup>	Land Use Code <sup>(2)</sup>	Zone	Land Use Factor <sup>(2)</sup>	Total EBUs	Unit Cost (\$/EBU)	FY 2020 <sup>(3)</sup> Assessment	Owner Name
678 690 60 59	1.00	CND	F	0.70	0.70	\$0.00	\$0.00	Spic Del Sur Llc
678 690 60 60	1.00	CND	F	0.70	0.70	\$0.00	\$0.00	Spic Del Sur Llc
678 690 60 61	1.00	CND	F	0.70	0.70	\$0.00	\$0.00	Spic Del Sur Llc
678 690 60 62	1.00	CND	F	0.70	0.70	\$0.00	\$0.00	Spic Del Sur Llc
678 690 60 63	1.00	CND	F	0.70	0.70	\$0.00	\$0.00	Spic Del Sur Llc
678 690 60 64	1.00	CND	F	0.70	0.70	\$0.00	\$0.00	Spic Del Sur Llc
678 690 60 65	1.00	CND	F	0.70	0.70	\$0.00	\$0.00	Spic Del Sur Llc
678 690 60 66	1.00	CND	F	0.70	0.70	\$0.00	\$0.00	Spic Del Sur Llc
678 690 60 67	1.00	CND	F	0.70	0.70	\$0.00	\$0.00	Spic Del Sur Llc
678 690 60 68	1.00	CND	F	0.70	0.70	\$0.00	\$0.00	Spic Del Sur Llc
678 690 60 69	1.00	CND	F	0.70	0.70	\$0.00	\$0.00	Spic Del Sur Llc
678 690 60 70	1.00	CND	F	0.70	0.70	\$0.00	\$0.00	Spic Del Sur Llc
678 690 60 71	1.00	CND	F	0.70	0.70	\$0.00	\$0.00	Spic Del Sur Llc
678 690 60 72	1.00	CND	F	0.70	0.70	\$0.00	\$0.00	Spic Del Sur Llc
678 690 60 73	1.00	CND	F	0.70	0.70	\$0.00	\$0.00	Spic Del Sur Llc
678 690 60 74	1.00	CND	F	0.70	0.70	\$0.00	\$0.00	Spic Del Sur Llc
678 690 60 75	1.00	CND	F	0.70	0.70	\$0.00	\$0.00	Spic Del Sur Llc
678 690 60 76	1.00	CND	F	0.70	0.70	\$0.00	\$0.00	Spic Del Sur Llc
678 690 60 77	1.00	CND	F	0.70	0.70	\$0.00	\$0.00	Spic Del Sur Llc
678 690 60 78	1.00	CND	F	0.70	0.70	\$0.00	\$0.00	Spic Del Sur Llc
678 690 60 79	1.00	CND	F	0.70	0.70	\$0.00	\$0.00	Spic Del Sur Llc
678 690 60 80	1.00	CND	F	0.70	0.70	\$0.00	\$0.00	Spic Del Sur Llc
678 690 60 81	1.00	CND	F	0.70	0.70	\$0.00	\$0.00	Spic Del Sur Llc
678 690 60 82	1.00	CND	F	0.70	0.70	\$0.00	\$0.00	Spic Del Sur Llc
678 690 60 83	1.00	CND	F	0.70	0.70	\$0.00	\$0.00	Spic Del Sur Llc
678 690 60 84	1.00	CND	F	0.70	0.70	\$0.00	\$0.00	Spic Del Sur Llc
678 690 60 85	1.00	CND	F	0.70	0.70	\$0.00	\$0.00	Spic Del Sur Llc
678 690 60 86	1.00	CND	F	0.70	0.70	\$0.00	\$0.00	Spic Del Sur Llc
678 690 60 87	1.00	CND	F	0.70	0.70	\$0.00	\$0.00	Spic Del Sur Llc
678 690 60 88	1.00	CND	F	0.70	0.70	\$0.00	\$0.00	Spic Del Sur Llc
678 690 60 89	1.00	CND	F	0.70	0.70	\$0.00	\$0.00	Spic Del Sur Llc
678 690 60 90	1.00	CND	F	0.70	0.70	\$0.00	\$0.00	Spic Del Sur Llc
678 690 60 91	1.00	CND	F	0.70	0.70	\$0.00	\$0.00	Spic Del Sur Llc
678 690 60 92	1.00	CND	F	0.70	0.70	\$0.00	\$0.00	Spic Del Sur Llc
678 690 60 93	1.00	CND	F	0.70	0.70	\$0.00	\$0.00	Spic Del Sur Llc
678 690 60 94	1.00	CND	F	0.70	0.70	\$0.00	\$0.00	Spic Del Sur Llc
678 690 61 01	1.00	CND	F	0.70	0.70	\$0.00	\$0.00	Schwartz Brian E Trust 10-03-06
678 690 61 02	1.00	CND	F	0.70	0.70	\$0.00	\$0.00	Spic Del Sur Llc
678 690 61 03	1.00	CND	F	0.70	0.70	\$0.00	\$0.00	Tatarkiewicz Jan J&Krystyna
678 690 61 04	1.00	CND	F	0.70	0.70	\$0.00	\$0.00	Weisman Robert L&Marilyn J
678 690 61 05	1.00	CND	F	0.70	0.70	\$0.00	\$0.00	Gold Family Trust 03-16-16
678 690 61 06	1.00	CND	F	0.70	0.70	\$0.00	\$0.00	Spic Del Sur Llc
678 690 61 07	1.00	CND	F	0.70	0.70	\$0.00	\$0.00	Spic Del Sur Llc
678 690 61 08	1.00	CND	F	0.70	0.70	\$0.00	\$0.00	Pinderski John P Tr&Pinderski Joyce I Tr
678 690 61 09	1.00	CND	F	0.70	0.70	\$0.00	\$0.00	Spic Del Sur Llc
678 690 61 10	1.00	CND	F	0.70	0.70	\$0.00	\$0.00	Spic Del Sur Llc
678 690 61 11	1.00	CND	F	0.70	0.70	\$0.00	\$0.00	Spic Del Sur Llc
678 690 61 12	1.00	CND	F	0.70	0.70	\$0.00	\$0.00	Spic Del Sur Llc
678 690 61 13	1.00	CND	F	0.70	0.70	\$0.00	\$0.00	Spic Del Sur Llc
678 690 61 14	1.00	CND	F	0.70	0.70	\$0.00	\$0.00	Spic Del Sur Llc
678 690 61 15	1.00	CND	F	0.70	0.70	\$0.00	\$0.00	Spic Del Sur Llc
678 690 61 16	1.00	CND	F	0.70	0.70	\$0.00	\$0.00	Spic Del Sur Llc
678 690 61 17	1.00	CND	F	0.70	0.70	\$0.00	\$0.00	Spic Del Sur Llc
678 690 61 18	1.00	CND	F	0.70	0.70	\$0.00	\$0.00	Spic Del Sur Llc
678 690 61 19	1.00	CND	F	0.70	0.70	\$0.00	\$0.00	Spic Del Sur Llc
678 690 61 20	1.00	CND	F	0.70	0.70	\$0.00	\$0.00	Spic Del Sur Llc
678 690 61 21	1.00	CND	F	0.70	0.70	\$0.00	\$0.00	Spic Del Sur Llc
678 690 61 22	1.00	CND	F	0.70	0.70	\$0.00	\$0.00	Spic Del Sur Llc
678 690 61 23	1.00	CND	F	0.70	0.70	\$0.00	\$0.00	He Xiaohua&Lin Yun Xian



## EXHIBIT C - Assessment Roll (Fiscal Year 2020)

### Black Mountain Ranch North Maintenance Assessment District

Parcel Number	Acres/ Units <sup>(1)</sup>	Land Use Code <sup>(2)</sup>	Zone	Land Use Factor <sup>(2)</sup>	Total EBUs	Unit Cost (\$/Ebu)	FY 2020 <sup>(3)</sup> Assessment	Owner Name
678 690 61 24	1.00	CND	F	0.70	0.70	\$0.00	\$0.00	Spic Del Sur Llc
678 690 61 25	1.00	CND	F	0.70	0.70	\$0.00	\$0.00	Spic Del Sur Llc
678 690 61 26	1.00	CND	F	0.70	0.70	\$0.00	\$0.00	Spic Del Sur Llc
678 690 61 27	1.00	CND	F	0.70	0.70	\$0.00	\$0.00	Spic Del Sur Llc
678 690 61 28	1.00	CND	F	0.70	0.70	\$0.00	\$0.00	Spic Del Sur Llc
678 690 61 29	1.00	CND	F	0.70	0.70	\$0.00	\$0.00	Spic Del Sur Llc
678 690 61 30	1.00	CND	F	0.70	0.70	\$0.00	\$0.00	Spic Del Sur Llc
678 690 61 31	1.00	CND	F	0.70	0.70	\$0.00	\$0.00	Spic Del Sur Llc
678 690 61 32	1.00	CND	F	0.70	0.70	\$0.00	\$0.00	Spic Del Sur Llc
678 690 61 33	1.00	CND	F	0.70	0.70	\$0.00	\$0.00	Spic Del Sur Llc
678 690 61 34	1.00	CND	F	0.70	0.70	\$0.00	\$0.00	Spic Del Sur Llc
678 690 61 35	1.00	CND	F	0.70	0.70	\$0.00	\$0.00	Spic Del Sur Llc
678 690 61 36	1.00	CND	F	0.70	0.70	\$0.00	\$0.00	Spic Del Sur Llc
678 690 61 37	1.00	CND	F	0.70	0.70	\$0.00	\$0.00	Spic Del Sur Llc
678 690 61 38	1.00	CND	F	0.70	0.70	\$0.00	\$0.00	Wang Yunsheng
678 690 61 39	1.00	CND	F	0.70	0.70	\$0.00	\$0.00	Spic Del Sur Llc
678 690 61 40	1.00	CND	F	0.70	0.70	\$0.00	\$0.00	Spic Del Sur Llc
678 690 61 41	1.00	CND	F	0.70	0.70	\$0.00	\$0.00	Spic Del Sur Llc
678 690 61 42	1.00	CND	F	0.70	0.70	\$0.00	\$0.00	Spic Del Sur Llc
678 690 61 43	1.00	CND	F	0.70	0.70	\$0.00	\$0.00	Spic Del Sur Llc
678 690 61 44	1.00	CND	F	0.70	0.70	\$0.00	\$0.00	Spic Del Sur Llc
678 690 61 45	1.00	CND	F	0.70	0.70	\$0.00	\$0.00	Spic Del Sur Llc
678 690 61 46	1.00	CND	F	0.70	0.70	\$0.00	\$0.00	Spic Del Sur Llc
678 690 61 47	1.00	CND	F	0.70	0.70	\$0.00	\$0.00	Spic Del Sur Llc
678 690 61 48	1.00	CND	F	0.70	0.70	\$0.00	\$0.00	Spic Del Sur Llc
678 690 61 49	1.00	CND	F	0.70	0.70	\$0.00	\$0.00	Spic Del Sur Llc
678 690 61 50	1.00	CND	F	0.70	0.70	\$0.00	\$0.00	Spic Del Sur Llc
678 690 61 51	1.00	CND	F	0.70	0.70	\$0.00	\$0.00	Spic Del Sur Llc
678 690 61 52	1.00	CND	F	0.70	0.70	\$0.00	\$0.00	Spic Del Sur Llc
678 690 61 53	1.00	CND	F	0.70	0.70	\$0.00	\$0.00	Spic Del Sur Llc
678 690 61 54	1.00	CND	F	0.70	0.70	\$0.00	\$0.00	Spic Del Sur Llc
678 690 61 55	1.00	CND	F	0.70	0.70	\$0.00	\$0.00	Spic Del Sur Llc
678 690 61 56	1.00	CND	F	0.70	0.70	\$0.00	\$0.00	Spic Del Sur Llc
678 690 61 57	1.00	CND	F	0.70	0.70	\$0.00	\$0.00	Spic Del Sur Llc
678 690 61 58	1.00	CND	F	0.70	0.70	\$0.00	\$0.00	Spic Del Sur Llc
678 690 61 59	1.00	CND	F	0.70	0.70	\$0.00	\$0.00	Spic Del Sur Llc
678 690 61 60	1.00	CND	F	0.70	0.70	\$0.00	\$0.00	Spic Del Sur Llc
678 690 61 61	1.00	CND	F	0.70	0.70	\$0.00	\$0.00	Spic Del Sur Llc
678 690 61 62	1.00	CND	F	0.70	0.70	\$0.00	\$0.00	Spic Del Sur Llc
678 690 61 63	1.00	CND	F	0.70	0.70	\$0.00	\$0.00	Spic Del Sur Llc
678 690 61 64	1.00	CND	F	0.70	0.70	\$0.00	\$0.00	Spic Del Sur Llc
678 690 61 65	1.00	CND	F	0.70	0.70	\$0.00	\$0.00	Spic Del Sur Llc
678 690 61 66	1.00	CND	F	0.70	0.70	\$0.00	\$0.00	Spic Del Sur Llc
678 690 61 67	1.00	CND	F	0.70	0.70	\$0.00	\$0.00	Spic Del Sur Llc
678 690 61 68	1.00	CND	F	0.70	0.70	\$0.00	\$0.00	Spic Del Sur Llc
678 690 61 69	1.00	CND	F	0.70	0.70	\$0.00	\$0.00	Spic Del Sur Llc
678 690 61 70	1.00	CND	F	0.70	0.70	\$0.00	\$0.00	Spic Del Sur Llc
678 690 61 71	1.00	CND	F	0.70	0.70	\$0.00	\$0.00	Spic Del Sur Llc
678 690 61 72	1.00	CND	F	0.70	0.70	\$0.00	\$0.00	Spic Del Sur Llc
678 690 61 73	1.00	CND	F	0.70	0.70	\$0.00	\$0.00	Spic Del Sur Llc
678 690 61 74	1.00	CND	F	0.70	0.70	\$0.00	\$0.00	Spic Del Sur Llc
678 690 61 75	1.00	CND	F	0.70	0.70	\$0.00	\$0.00	Spic Del Sur Llc
678 690 61 76	1.00	CND	F	0.70	0.70	\$0.00	\$0.00	Spic Del Sur Llc
678 690 61 77	1.00	CND	F	0.70	0.70	\$0.00	\$0.00	Spic Del Sur Llc
678 690 61 78	1.00	CND	F	0.70	0.70	\$0.00	\$0.00	Spic Del Sur Llc
678 690 61 79	1.00	CND	F	0.70	0.70	\$0.00	\$0.00	Spic Del Sur Llc
678 690 61 80	1.00	CND	F	0.70	0.70	\$0.00	\$0.00	Spic Del Sur Llc
678 690 61 81	1.00	CND	F	0.70	0.70	\$0.00	\$0.00	Spic Del Sur Llc
678 690 61 82	1.00	CND	F	0.70	0.70	\$0.00	\$0.00	Spic Del Sur Llc

## EXHIBIT C - Assessment Roll (Fiscal Year 2020)

### Black Mountain Ranch North Maintenance Assessment District

Parcel Number	Acres/ Units <sup>(1)</sup>	Land Use Code <sup>(2)</sup>	Zone	Land Use Factor <sup>(2)</sup>	Total EBU's	Unit Cost (\$/EBU)	FY 2020 <sup>(3)</sup> Assessment	Owner Name
678 690 61 83	1.00	CND	F	0.70	0.70	\$0.00	\$0.00	Spic Del Sur Llc
678 690 61 84	1.00	CND	F	0.70	0.70	\$0.00	\$0.00	Spic Del Sur Llc
678 690 61 85	1.00	CND	F	0.70	0.70	\$0.00	\$0.00	Spic Del Sur Llc
678 690 61 86	1.00	CND	F	0.70	0.70	\$0.00	\$0.00	Spic Del Sur Llc
678 690 61 87	1.00	CND	F	0.70	0.70	\$0.00	\$0.00	Spic Del Sur Llc
678 690 61 88	1.00	CND	F	0.70	0.70	\$0.00	\$0.00	Spic Del Sur Llc
678 690 61 89	1.00	CND	F	0.70	0.70	\$0.00	\$0.00	Spic Del Sur Llc
678 690 61 90	1.00	CND	F	0.70	0.70	\$0.00	\$0.00	Spic Del Sur Llc
678 690 61 91	1.00	CND	F	0.70	0.70	\$0.00	\$0.00	Spic Del Sur Llc
678 690 61 92	1.00	CND	F	0.70	0.70	\$0.00	\$0.00	Spic Del Sur Llc
678 690 61 93	1.00	CND	F	0.70	0.70	\$0.00	\$0.00	Spic Del Sur Llc
678 690 61 94	1.00	CND	F	0.70	0.70	\$0.00	\$0.00	Spic Del Sur Llc
678 690 61 95	1.00	CND	F	0.70	0.70	\$0.00	\$0.00	Spic Del Sur Llc
678 690 61 96	1.00	CND	F	0.70	0.70	\$0.00	\$0.00	Spic Del Sur Llc
678 690 62 00	0.77	COM	F	45.00	34.65	\$0.00	\$0.00	Black Mountain Ranch L L C
678 690 63 00	5.24	COM	F	45.00	235.80	\$0.00	\$0.00	Mitchell Repair Information Company Llc
678 690 64 00	1.85	COM	F	45.00	83.25	\$0.00	\$0.00	Black Mountain Ranch L L C
678 690 65 00	0.05	OSP	F	0.00	0.00	\$0.00	\$0.00	Black Mountain Ranch L L C
678 690 66 00	3.76	STR	G	0.00	0.00	\$0.00	\$0.00	Del Sur Community Association
678 690 67 00	4.58	STR	F	0.00	0.00	\$0.00	\$0.00	Spic Del Sur Llc
678 690 68 01	1.00	CND	F	0.70	0.70	\$0.00	\$0.00	Spic Del Sur Llc
678 690 68 02	1.00	CND	F	0.70	0.70	\$0.00	\$0.00	Spic Del Sur Llc
678 690 68 03	1.00	CND	F	0.70	0.70	\$0.00	\$0.00	Spic Del Sur Llc
678 690 68 04	1.00	CND	F	0.70	0.70	\$0.00	\$0.00	Spic Del Sur Llc
678 690 68 05	1.00	CND	F	0.70	0.70	\$0.00	\$0.00	Spic Del Sur Llc
678 690 68 06	1.00	CND	F	0.70	0.70	\$0.00	\$0.00	Spic Del Sur Llc
678 690 68 07	1.00	CND	F	0.70	0.70	\$0.00	\$0.00	Spic Del Sur Llc
678 690 68 08	1.00	CND	F	0.70	0.70	\$0.00	\$0.00	Spic Del Sur Llc
678 690 68 09	1.00	CND	F	0.70	0.70	\$0.00	\$0.00	Spic Del Sur Llc
678 690 68 10	1.00	CND	F	0.70	0.70	\$0.00	\$0.00	Spic Del Sur Llc
678 690 68 11	1.00	CND	F	0.70	0.70	\$0.00	\$0.00	Spic Del Sur Llc
678 690 68 12	1.00	CND	F	0.70	0.70	\$0.00	\$0.00	Spic Del Sur Llc
678 690 68 13	1.00	CND	F	0.70	0.70	\$0.00	\$0.00	Spic Del Sur Llc
678 690 68 14	1.00	CND	F	0.70	0.70	\$0.00	\$0.00	Spic Del Sur Llc
678 690 68 15	1.00	CND	F	0.70	0.70	\$0.00	\$0.00	Spic Del Sur Llc
678 690 68 16	1.00	CND	F	0.70	0.70	\$0.00	\$0.00	Spic Del Sur Llc
678 690 68 17	1.00	CND	F	0.70	0.70	\$0.00	\$0.00	Spic Del Sur Llc
678 690 68 18	1.00	CND	F	0.70	0.70	\$0.00	\$0.00	Spic Del Sur Llc
678 690 68 19	1.00	CND	F	0.70	0.70	\$0.00	\$0.00	Spic Del Sur Llc
678 690 68 20	1.00	CND	F	0.70	0.70	\$0.00	\$0.00	Spic Del Sur Llc
678 690 68 21	1.00	CND	F	0.70	0.70	\$0.00	\$0.00	Spic Del Sur Llc
678 690 68 22	1.00	CND	F	0.70	0.70	\$0.00	\$0.00	Spic Del Sur Llc
678 690 68 23	1.00	CND	F	0.70	0.70	\$0.00	\$0.00	Spic Del Sur Llc
678 690 69 00	7.27	STR	F	0.00	0.00	\$0.00	\$0.00	Spic Del Sur Llc
678 690 70 00	4.64	IND	F	15.00	69.60	\$0.00	\$0.00	Black Mountain Ranch L L C
678 690 71 00	1.41	IND	F	15.00	21.15	\$0.00	\$0.00	Black Mountain Ranch L L C
678 690 72 00	0.38	IND	F	15.00	5.70	\$0.00	\$0.00	Black Mountain Ranch L L C
678 691 03 00	1.80	PKU	G	0.50	0.90	\$0.00	\$0.00	Black Mountain Ranch L L C
678 691 04 00	13.84	PKU	G	0.50	6.92	\$0.00	\$0.00	Black Mountain Ranch L L C
678 691 05 01	1.00	CND	G	0.70	0.70	\$0.00	\$0.00	Crick Family Trust
678 691 05 02	1.00	CND	G	0.70	0.70	\$0.00	\$0.00	Roston Eryn&Trisha
678 691 05 03	1.00	CND	G	0.70	0.70	\$0.00	\$0.00	Holland Deandra
678 691 05 04	1.00	CND	G	0.70	0.70	\$0.00	\$0.00	Bartz Albert L&Keda Ayako
678 691 06 01	1.00	CND	G	0.70	0.70	\$0.00	\$0.00	Huang Meixia
678 691 06 02	1.00	CND	G	0.70	0.70	\$0.00	\$0.00	Roach Daniel
678 691 06 03	1.00	CND	G	0.70	0.70	\$0.00	\$0.00	Moore Jared P&Meghan M
678 691 06 04	1.00	CND	G	0.70	0.70	\$0.00	\$0.00	Kang Hoseok&Yu Hyunjung
678 691 07 01	1.00	CND	G	0.70	0.70	\$0.00	\$0.00	Enrique Greg M
678 691 07 02	1.00	CND	G	0.70	0.70	\$0.00	\$0.00	Yang Su&Cheung Yuen Ting

**EXHIBIT C - Assessment Roll (Fiscal Year 2020)**  
**Black Mountain Ranch North Maintenance Assessment District**

Parcel Number	Acres/ Units <sup>(1)</sup>	Land Use Code <sup>(2)</sup>	Zone	Land Use Factor <sup>(2)</sup>	Total EBU's	Unit Cost (\$/EBU)	FY 2020 <sup>(3)</sup> Assessment	Owner Name
678 691 07 03	1.00	CND	G	0.70	0.70	\$0.00	\$0.00	Lederer Family Trust 08-29-02
678 691 07 04	1.00	CND	G	0.70	0.70	\$0.00	\$0.00	Tang Crystal C Revocable Trust 08-31-07
678 691 09 01	1.00	CND	G	0.70	0.70	\$0.00	\$0.00	Kiviat Douglas&Jane Irrevocable Trust 11-13-15
678 691 09 02	1.00	CND	G	0.70	0.70	\$0.00	\$0.00	Reynoso Michael A&Anna M
678 691 09 03	1.00	CND	G	0.70	0.70	\$0.00	\$0.00	Chen Alan Hsiang-Shang&Cheng Catherine
678 691 09 04	1.00	CND	G	0.70	0.70	\$0.00	\$0.00	Jerome John R&Sarah M
678 691 10 01	1.00	CND	G	0.70	0.70	\$0.00	\$0.00	Sachdeva Rajan K
678 691 10 02	1.00	CND	G	0.70	0.70	\$0.00	\$0.00	Ali Amro&Angela
678 691 10 03	1.00	CND	G	0.70	0.70	\$0.00	\$0.00	Banerjee Debdeep&Mukherjee Sudeshna
678 691 10 04	1.00	CND	G	0.70	0.70	\$0.00	\$0.00	Hillman Marguerite Living Trust 05-17-01
678 691 10 05	1.00	CND	G	0.70	0.70	\$0.00	\$0.00	Kung Christopher C
678 691 11 01	1.00	CND	G	0.70	0.70	\$0.00	\$0.00	Y S P Y Trust 06-09-14
678 691 11 02	1.00	CND	G	0.70	0.70	\$0.00	\$0.00	Subroto Fransiska
678 691 11 03	1.00	CND	G	0.70	0.70	\$0.00	\$0.00	Guan Rong Da&Ruihong
678 691 11 04	1.00	CND	G	0.70	0.70	\$0.00	\$0.00	Anderson Andrew J
678 691 11 05	1.00	CND	G	0.70	0.70	\$0.00	\$0.00	Shewry Steven&Judith M
678 691 12 00	0.41	STR	G	0.00	0.00	\$0.00	\$0.00	Calatlantic Group Inc
678 700 02 00	0.87	OSP	H	0.00	0.00	\$0.00	\$0.00	Calatlantic Group Inc
678 700 03 00	1.28	OSP	H	0.00	0.00	\$0.00	\$0.00	Calatlantic Group Inc
678 700 04 00	0.22	OSP	H	0.00	0.00	\$0.00	\$0.00	Calatlantic Group Inc
678 700 05 00	2.38	OSP	H	0.00	0.00	\$0.00	\$0.00	Veridian Community Association
678 700 06 00	4.05	OSP	H	0.00	0.00	\$0.00	\$0.00	Calatlantic Group Inc
678 700 07 01	1.00	CND	H	0.70	0.70	\$0.00	\$0.00	Gaddam Sachethan&Divya
678 700 07 02	1.00	CND	H	0.70	0.70	\$0.00	\$0.00	Liu Paul&Ho Phoebe
678 700 07 03	1.00	CND	H	0.70	0.70	\$0.00	\$0.00	Reza Art&Colette C
678 700 07 04	1.00	CND	H	0.70	0.70	\$0.00	\$0.00	Xiao Bing&Yin Muyun
678 700 07 05	1.00	CND	H	0.70	0.70	\$0.00	\$0.00	Gottimukkala Narendra V&Sahu Usha
678 700 07 06	1.00	CND	H	0.70	0.70	\$0.00	\$0.00	Verghese Sanjay C
678 700 07 07	1.00	CND	H	0.70	0.70	\$0.00	\$0.00	Guzman Rainnier&Joanne Huang
678 700 07 08	1.00	CND	H	0.70	0.70	\$0.00	\$0.00	Miller Blair R&Monica B
678 700 07 09	1.00	CND	H	0.70	0.70	\$0.00	\$0.00	Sami Shadi
678 700 07 10	1.00	CND	H	0.70	0.70	\$0.00	\$0.00	Carlson Stephen R&Jenette
678 700 07 11	1.00	CND	H	0.70	0.70	\$0.00	\$0.00	Njos Gerald T&Cindy L
678 700 07 12	1.00	CND	H	0.70	0.70	\$0.00	\$0.00	Carden Keith&Carolyn
678 700 08 01	1.00	CND	H	0.70	0.70	\$0.00	\$0.00	Sherman Kori&Elizabeth
678 700 08 02	1.00	CND	H	0.70	0.70	\$0.00	\$0.00	Czerniak Chad&Laetitia
678 700 08 03	1.00	CND	H	0.70	0.70	\$0.00	\$0.00	Baxter Charles T&Michelle M
678 700 08 04	1.00	CND	H	0.70	0.70	\$0.00	\$0.00	Aguirre Mario&Karin 2015 Family Trust 04-15-15
678 700 08 05	1.00	CND	H	0.70	0.70	\$0.00	\$0.00	Cruz Wilfrido D&Maria C
678 700 08 06	1.00	CND	H	0.70	0.70	\$0.00	\$0.00	Sun Mei Hong
678 700 09 01	1.00	CND	H	0.70	0.70	\$0.00	\$0.00	Rullman Timothy P&He Runlian
678 700 09 02	1.00	CND	H	0.70	0.70	\$0.00	\$0.00	Asmus T&K Trust 02-23-17
678 700 09 03	1.00	CND	H	0.70	0.70	\$0.00	\$0.00	Simpson Michael&Maureen
678 700 09 04	1.00	CND	H	0.70	0.70	\$0.00	\$0.00	Agius Gregory M&Emig-Agius Dorothea M
678 700 09 05	1.00	CND	H	0.70	0.70	\$0.00	\$0.00	Young Aaron J&Linda P
678 700 09 06	1.00	CND	H	0.70	0.70	\$0.00	\$0.00	Alzate Cathalina
678 700 10 01	1.00	CND	H	0.70	0.70	\$0.00	\$0.00	Kong Robert Ho&Tsoi-Kong Horyan Winnie
678 700 10 02	1.00	CND	H	0.70	0.70	\$0.00	\$0.00	Lu Wei-Min&Zhu Mei
678 700 10 03	1.00	CND	H	0.70	0.70	\$0.00	\$0.00	Tomlin Zachariah&Lauren
678 700 10 04	1.00	CND	H	0.70	0.70	\$0.00	\$0.00	Prijoles Joshua
678 700 10 05	1.00	CND	H	0.70	0.70	\$0.00	\$0.00	Benson Eric&Weeks Kelley
678 700 10 06	1.00	CND	H	0.70	0.70	\$0.00	\$0.00	Cheng Sharon
678 700 10 07	1.00	CND	H	0.70	0.70	\$0.00	\$0.00	Cazarin Christian P&Sanudo Ana M
678 700 10 08	1.00	CND	H	0.70	0.70	\$0.00	\$0.00	Kim Sang-Yoon&Julie
678 700 10 09	1.00	CND	H	0.70	0.70	\$0.00	\$0.00	Adler Family Trust 06-05-00
678 700 10 10	1.00	CND	H	0.70	0.70	\$0.00	\$0.00	L L T F Revocable Trust 09-19-10
678 700 10 11	1.00	CND	H	0.70	0.70	\$0.00	\$0.00	Ha Michelle
678 700 10 12	1.00	CND	H	0.70	0.70	\$0.00	\$0.00	Adams Austin&Brittnie
678 700 12 01	1.00	CND	H	0.70	0.70	\$0.00	\$0.00	Chu Jeffrey

**EXHIBIT C - Assessment Roll (Fiscal Year 2020)**  
**Black Mountain Ranch North Maintenance Assessment District**

Parcel Number	Acres/ Units <sup>(1)</sup>	Land Use Code <sup>(2)</sup>	Zone	Land Use Factor <sup>(2)</sup>	Total EBU's	Unit Cost (\$/EBU)	FY 2020 <sup>(3)</sup> Assessment	Owner Name
678 700 12 02	1.00	CND	H	0.70	0.70	\$0.00	\$0.00	Voyles Jonathan L&Anny
678 700 12 03	1.00	CND	H	0.70	0.70	\$0.00	\$0.00	Sallay Adam&Monica B
678 700 12 04	1.00	CND	H	0.70	0.70	\$0.00	\$0.00	Kim Bup Jin&Yeong Ok
678 700 12 05	1.00	CND	H	0.70	0.70	\$0.00	\$0.00	Jacquez Jacquelyn
678 700 12 06	1.00	CND	H	0.70	0.70	\$0.00	\$0.00	Chi-Mun Ryan&Lein Julie
678 700 12 07	1.00	CND	H	0.70	0.70	\$0.00	\$0.00	Culver Benjamin A&Carol A
678 700 12 08	1.00	CND	H	0.70	0.70	\$0.00	\$0.00	Calatlantic Group Inc
678 700 12 09	1.00	CND	H	0.70	0.70	\$0.00	\$0.00	Raghnatha Vinay M&Sampath Divya
678 700 12 10	1.00	CND	H	0.70	0.70	\$0.00	\$0.00	Shojai Brandon&Claudia Family Trust 11-12-12
678 700 12 11	1.00	CND	H	0.70	0.70	\$0.00	\$0.00	Pham Nam&Ho May
678 700 12 12	1.00	CND	H	0.70	0.70	\$0.00	\$0.00	Zhou Chun Wen
678 700 13 01	1.00	CND	H	0.70	0.70	\$0.00	\$0.00	Hill Duncan
678 700 13 02	1.00	CND	H	0.70	0.70	\$0.00	\$0.00	Lim Peter Chee-Keng&Mui-Teng Karen
678 700 13 03	1.00	CND	H	0.70	0.70	\$0.00	\$0.00	Frechette Rebecca
678 700 13 04	1.00	CND	H	0.70	0.70	\$0.00	\$0.00	Sullivan Family Trust 04-08-16
678 700 13 05	1.00	CND	H	0.70	0.70	\$0.00	\$0.00	Riegner Rudolf W Iii
678 700 13 06	1.00	CND	H	0.70	0.70	\$0.00	\$0.00	Plett Zackery A
678 700 13 07	1.00	CND	H	0.70	0.70	\$0.00	\$0.00	Milliteev Andrei&Milliteeva Yevgenia
678 700 14 01	1.00	CND	H	0.70	0.70	\$0.00	\$0.00	Cecchetto Carlo&Jennifer
678 700 14 02	1.00	CND	H	0.70	0.70	\$0.00	\$0.00	Nunn Adam W
678 700 14 03	1.00	CND	H	0.70	0.70	\$0.00	\$0.00	Castro Joselito&Teofila
678 700 14 04	1.00	CND	H	0.70	0.70	\$0.00	\$0.00	Arora Tarun&Shrivastava Tanya
678 700 14 05	1.00	CND	H	0.70	0.70	\$0.00	\$0.00	Fuller Joon L
678 700 14 06	1.00	CND	H	0.70	0.70	\$0.00	\$0.00	Mahzari Neema M
678 700 14 07	1.00	CND	H	0.70	0.70	\$0.00	\$0.00	Excelis Corporation
678 700 14 08	1.00	CND	H	0.70	0.70	\$0.00	\$0.00	Spencer Mario C&Natvadee
678 700 15 01	1.00	CND	H	0.70	0.70	\$0.00	\$0.00	Tummala Gopi K
678 700 15 02	1.00	CND	H	0.70	0.70	\$0.00	\$0.00	Hong Michael M&Kathleen M
678 700 15 03	1.00	CND	H	0.70	0.70	\$0.00	\$0.00	Lu Yang&Gu Mengjia
678 700 15 04	1.00	CND	H	0.70	0.70	\$0.00	\$0.00	Mamnia Nimesh J&Savla Sneha
678 700 15 05	1.00	CND	H	0.70	0.70	\$0.00	\$0.00	Jammer Quentin
678 700 15 06	1.00	CND	H	0.70	0.70	\$0.00	\$0.00	Sherzai Jamal N&Hossai L
678 700 15 07	1.00	CND	H	0.70	0.70	\$0.00	\$0.00	Brotman Michael&Robin
678 700 15 08	1.00	CND	H	0.70	0.70	\$0.00	\$0.00	Kevorkian Crenguta E
678 700 15 09	1.00	CND	H	0.70	0.70	\$0.00	\$0.00	Buck Angela M
678 700 15 10	1.00	CND	H	0.70	0.70	\$0.00	\$0.00	Nakamoto Ryan P
678 700 15 11	1.00	CND	H	0.70	0.70	\$0.00	\$0.00	Louie&Tai Family 2014 Trust 11-13-14
678 700 15 12	1.00	CND	H	0.70	0.70	\$0.00	\$0.00	Kwon Ho Min&Park Sihyeon
678 700 16 01	1.00	CND	H	0.70	0.70	\$0.00	\$0.00	Garg Vikram&Sood Poonam
678 700 16 02	1.00	CND	H	0.70	0.70	\$0.00	\$0.00	Kilpatrick John M&Cheryl E
678 700 16 03	1.00	CND	H	0.70	0.70	\$0.00	\$0.00	Valayanurkrishnan Lakshminarayanan&Madhavan Prathib
678 700 16 04	1.00	CND	H	0.70	0.70	\$0.00	\$0.00	Lam Amos Tsz Nok
678 700 16 05	1.00	CND	H	0.70	0.70	\$0.00	\$0.00	Marks Matthew&Handson Anita
678 700 16 06	1.00	CND	H	0.70	0.70	\$0.00	\$0.00	Kameswaran Sathish S&Sathish Nenjukkini
678 700 16 07	1.00	CND	H	0.70	0.70	\$0.00	\$0.00	Prabhu Prasada Laxminarayan&Sukumar Kavitha
678 700 16 08	1.00	CND	H	0.70	0.70	\$0.00	\$0.00	Olivier Alexandra
678 700 16 09	1.00	CND	H	0.70	0.70	\$0.00	\$0.00	Dotemoto Philip
678 700 16 10	1.00	CND	H	0.70	0.70	\$0.00	\$0.00	Ren Pingda&Jiang Shumei
678 700 16 11	1.00	CND	H	0.70	0.70	\$0.00	\$0.00	Gist Brian W&Erica A
678 700 16 12	1.00	CND	H	0.70	0.70	\$0.00	\$0.00	Nguyen Duy Hong&Petra Minh Tram Nam
678 700 17 01	1.00	CND	H	0.70	0.70	\$0.00	\$0.00	Ashby Ryan R&Kelly L
678 700 17 02	1.00	CND	H	0.70	0.70	\$0.00	\$0.00	Roberts Jeffrey&Susanne
678 700 17 03	1.00	CND	H	0.70	0.70	\$0.00	\$0.00	Bolinger Andrew
678 700 17 04	1.00	CND	H	0.70	0.70	\$0.00	\$0.00	Guo Bishan&Wang Shaohuai
678 700 17 05	1.00	CND	H	0.70	0.70	\$0.00	\$0.00	Proteau Emilie
678 700 17 06	1.00	CND	H	0.70	0.70	\$0.00	\$0.00	Furtado Ryan S&Katherine E
678 700 18 01	1.00	CND	H	0.70	0.70	\$0.00	\$0.00	Pascua Joseph R&Simone M
678 700 18 02	1.00	CND	H	0.70	0.70	\$0.00	\$0.00	Charles Ashley
678 700 18 03	1.00	CND	H	0.70	0.70	\$0.00	\$0.00	Raitor Matthew M&Ashley A

**EXHIBIT C - Assessment Roll (Fiscal Year 2020)**  
**Black Mountain Ranch North Maintenance Assessment District**

Parcel Number	Acres/ Units <sup>(1)</sup>	Land Use Code <sup>(2)</sup>	Zone	Land Use Factor <sup>(2)</sup>	Total EBU's	Unit Cost (\$/EBU)	FY 2020 <sup>(3)</sup> Assessment	Owner Name
678 700 18 04	1.00	CND	H	0.70	0.70	\$0.00	\$0.00	Greer Curtis T&Kate A
678 700 18 05	1.00	CND	H	0.70	0.70	\$0.00	\$0.00	Schreck Survivors Trust 04-25-04
678 700 18 06	1.00	CND	H	0.70	0.70	\$0.00	\$0.00	Sami Raden T&Hart Jelane E
678 700 19 01	1.00	CND	H	0.70	0.70	\$0.00	\$0.00	Pietro Michael R&Elizabeth A
678 700 19 02	1.00	CND	H	0.70	0.70	\$0.00	\$0.00	Hilbert John F&Lorri A
678 700 19 03	1.00	CND	H	0.70	0.70	\$0.00	\$0.00	Roberts Malcolm&Travay
678 700 19 04	1.00	CND	H	0.70	0.70	\$0.00	\$0.00	Bernardo Anthony C&Emmeline G
678 700 19 05	1.00	CND	H	0.70	0.70	\$0.00	\$0.00	Silldorf David R
678 700 19 06	1.00	CND	H	0.70	0.70	\$0.00	\$0.00	Pate-Cazal Arnaud&Andrea
678 700 20 01	1.00	CND	H	0.70	0.70	\$0.00	\$0.00	Raut Swapnil&Kulkarni Amruta
678 700 20 02	1.00	CND	H	0.70	0.70	\$0.00	\$0.00	Casebier Ryan T&Ashley E
678 700 20 03	1.00	CND	H	0.70	0.70	\$0.00	\$0.00	Calatlantic Group Inc
678 700 20 04	1.00	CND	H	0.70	0.70	\$0.00	\$0.00	Hewerdine Andrew&Heintz Sally
678 700 20 05	1.00	CND	H	0.70	0.70	\$0.00	\$0.00	Mcswiggin Family Trust 12-12-05
678 700 20 06	1.00	CND	H	0.70	0.70	\$0.00	\$0.00	Donoho-Kasner Tiffanie G
678 700 21 01	1.00	CND	H	0.70	0.70	\$0.00	\$0.00	Carpenter Scott&Ashley
678 700 21 02	1.00	CND	H	0.70	0.70	\$0.00	\$0.00	Dauria Gretchen
678 700 21 03	1.00	CND	H	0.70	0.70	\$0.00	\$0.00	Calatlantic Group Inc
678 700 21 04	1.00	CND	H	0.70	0.70	\$0.00	\$0.00	Heiland David&Amy
678 700 21 05	1.00	CND	H	0.70	0.70	\$0.00	\$0.00	Jerome John R&Sarah
678 700 21 06	1.00	CND	H	0.70	0.70	\$0.00	\$0.00	Sirek Susan A
678 700 23 01	1.00	CND	H	0.70	0.70	\$0.00	\$0.00	Kim Young M&Alice M
678 700 23 02	1.00	CND	H	0.70	0.70	\$0.00	\$0.00	Sundaresan Sairam&Janardhanan Preethi
678 700 23 03	1.00	CND	H	0.70	0.70	\$0.00	\$0.00	Oconnor Patrick S&Mary A R
678 700 23 04	1.00	CND	H	0.70	0.70	\$0.00	\$0.00	Mulupuru Satyanarayana&Kurapati Padma L
678 700 23 05	1.00	CND	H	0.70	0.70	\$0.00	\$0.00	Chen Chien-Hung&Lee Szu-Wei
678 700 23 06	1.00	CND	H	0.70	0.70	\$0.00	\$0.00	Ashlewale Abhishek K&Akshata A
678 700 23 07	1.00	CND	H	0.70	0.70	\$0.00	\$0.00	Carrington Paul
678 700 23 08	1.00	CND	H	0.70	0.70	\$0.00	\$0.00	Du Qinghui&Miao Xiufang
678 700 23 09	1.00	CND	H	0.70	0.70	\$0.00	\$0.00	Do An Hoi
678 700 23 10	1.00	CND	H	0.70	0.70	\$0.00	\$0.00	Yun Minil
678 700 23 11	1.00	CND	H	0.70	0.70	\$0.00	\$0.00	Gordon Oliver
678 700 23 12	1.00	CND	H	0.70	0.70	\$0.00	\$0.00	Fuhrman Robert
678 700 24 01	1.00	CND	H	0.70	0.70	\$0.00	\$0.00	Carter Matthew&Claire
678 700 24 02	1.00	CND	H	0.70	0.70	\$0.00	\$0.00	Chi Xiong&Fay Yu
678 700 24 03	1.00	CND	H	0.70	0.70	\$0.00	\$0.00	Segui Johandry A&Lopez Griselda A E
678 700 24 04	1.00	CND	H	0.70	0.70	\$0.00	\$0.00	Videbeck Angelina
678 700 24 05	1.00	CND	H	0.70	0.70	\$0.00	\$0.00	Pu-Chu Trust 08-29-00
678 700 24 06	1.00	CND	H	0.70	0.70	\$0.00	\$0.00	Garrun Todd
678 700 24 07	1.00	CND	H	0.70	0.70	\$0.00	\$0.00	Newman Dana
678 700 24 08	1.00	CND	H	0.70	0.70	\$0.00	\$0.00	Llanes Andrew
678 700 24 09	1.00	CND	H	0.70	0.70	\$0.00	\$0.00	Calatlantic Group Inc
678 700 24 10	1.00	CND	H	0.70	0.70	\$0.00	\$0.00	Mccullough Marisa
678 700 24 11	1.00	CND	H	0.70	0.70	\$0.00	\$0.00	Agarwal Siddharth&Garg Charu
678 700 24 12	1.00	CND	H	0.70	0.70	\$0.00	\$0.00	Shadeed Jordan
678 700 25 01	1.00	CND	H	0.70	0.70	\$0.00	\$0.00	Rathaur Shailendra
678 700 25 02	1.00	CND	H	0.70	0.70	\$0.00	\$0.00	Devereux Marc&Lagudi-Devereux Eva
678 700 25 03	1.00	CND	H	0.70	0.70	\$0.00	\$0.00	Wang Miao&Qin Dazhi
678 700 25 04	1.00	CND	H	0.70	0.70	\$0.00	\$0.00	Mccague Andrew
678 700 25 05	1.00	CND	H	0.70	0.70	\$0.00	\$0.00	Bokelman Kevin&Antonia
678 700 25 06	1.00	CND	H	0.70	0.70	\$0.00	\$0.00	Yang Yuping&Luo Li
678 700 25 07	1.00	CND	H	0.70	0.70	\$0.00	\$0.00	Choudhary Jaydeep P&Smita
678 700 25 08	1.00	CND	H	0.70	0.70	\$0.00	\$0.00	Akotia Shivani H
678 700 25 09	1.00	CND	H	0.70	0.70	\$0.00	\$0.00	Grcar Barbara
678 700 25 10	1.00	CND	H	0.70	0.70	\$0.00	\$0.00	Zeng Wenxi&Lai Yishu
678 700 25 11	1.00	CND	H	0.70	0.70	\$0.00	\$0.00	Bernal Michael&Noelle C Revocable Living Trust 08-21-17
678 700 25 12	1.00	CND	H	0.70	0.70	\$0.00	\$0.00	Jin Ye
678 700 26 01	1.00	CND	H	0.70	0.70	\$0.00	\$0.00	Gangavelli Uday K&Urvasi S
678 700 26 02	1.00	CND	H	0.70	0.70	\$0.00	\$0.00	Lam Thomas H&Priscilla Y

## EXHIBIT C - Assessment Roll (Fiscal Year 2020)

### Black Mountain Ranch North Maintenance Assessment District

Parcel Number	Acres/ Units <sup>(1)</sup>	Land Use Code <sup>(2)</sup>	Zone	Land Use Factor <sup>(2)</sup>	Total EBU's	Unit Cost (\$/EBU)	FY 2020 <sup>(3)</sup> Assessment	Owner Name
678 700 26 03	1.00	CND	H	0.70	0.70	\$0.00	\$0.00	Bender William E&Heidi L
678 700 26 04	1.00	CND	H	0.70	0.70	\$0.00	\$0.00	Gusakov Residence Trust
678 700 26 05	1.00	CND	H	0.70	0.70	\$0.00	\$0.00	Gaddam Vanesh R&Vanipally Srinivasavi R
678 700 26 06	1.00	CND	H	0.70	0.70	\$0.00	\$0.00	Bollepalli Sarath&Dalapathirao Ramya K
678 700 27 01	1.00	CND	H	0.70	0.70	\$0.00	\$0.00	Pattipati Sainath K
678 700 27 02	1.00	CND	H	0.70	0.70	\$0.00	\$0.00	Wen Bo&Shi Yangyu
678 700 27 03	1.00	CND	H	0.70	0.70	\$0.00	\$0.00	Saleh Elan&Tiffany
678 700 27 04	1.00	CND	H	0.70	0.70	\$0.00	\$0.00	Lu Weibin&Ding Xizhu
678 700 27 05	1.00	CND	H	0.70	0.70	\$0.00	\$0.00	Dao Huy Phuc Minh&Le Hang Nguyen Tue
678 700 27 06	1.00	CND	H	0.70	0.70	\$0.00	\$0.00	Bellofatto Michael&Carmen
678 700 28 01	1.00	CND	H	0.70	0.70	\$0.00	\$0.00	Havrilla Edwin R Iii&Kathryn M
678 700 28 02	1.00	CND	H	0.70	0.70	\$0.00	\$0.00	Bahari Abbas&Nguyen Thanh Thi
678 700 28 03	1.00	CND	H	0.70	0.70	\$0.00	\$0.00	Fisher Jordan M&Pham Victoria Hien
678 700 28 04	1.00	CND	H	0.70	0.70	\$0.00	\$0.00	Shabalin Residence Trust
678 700 28 05	1.00	CND	H	0.70	0.70	\$0.00	\$0.00	Majul Sibia E P
678 700 28 06	1.00	CND	H	0.70	0.70	\$0.00	\$0.00	Kaese Steve&Lauren
678 700 29 01	1.00	CND	H	0.70	0.70	\$0.00	\$0.00	Les Grandes Esperances Management Trust 02-23-17 Et
678 700 29 02	1.00	CND	H	0.70	0.70	\$0.00	\$0.00	Hananya David&Rachel
678 700 29 03	1.00	CND	H	0.70	0.70	\$0.00	\$0.00	Vankoski Matthew S&Dana M
678 700 29 04	1.00	CND	H	0.70	0.70	\$0.00	\$0.00	Murphy Roger L Jr&Darder Kimberly A
678 700 29 05	1.00	CND	H	0.70	0.70	\$0.00	\$0.00	Chen Vincent Y&Clara O
678 700 29 06	1.00	CND	H	0.70	0.70	\$0.00	\$0.00	Hou Ann
678 700 31 01	1.00	CND	H	0.70	0.70	\$0.00	\$0.00	Calatlantic Group Inc
678 700 31 02	1.00	CND	H	0.70	0.70	\$0.00	\$0.00	Calatlantic Group Inc
678 700 31 03	1.00	CND	H	0.70	0.70	\$0.00	\$0.00	Calatlantic Group Inc
678 700 31 04	1.00	CND	H	0.70	0.70	\$0.00	\$0.00	Calatlantic Group Inc
678 700 31 05	1.00	CND	H	0.70	0.70	\$0.00	\$0.00	Calatlantic Group Inc
678 700 31 06	1.00	CND	H	0.70	0.70	\$0.00	\$0.00	Calatlantic Group Inc
678 700 31 07	1.00	CND	H	0.70	0.70	\$0.00	\$0.00	Calatlantic Group Inc
678 700 32 01	1.00	CND	H	0.70	0.70	\$0.00	\$0.00	Calatlantic Group Inc
678 700 32 02	1.00	CND	H	0.70	0.70	\$0.00	\$0.00	Calatlantic Group Inc
678 700 32 03	1.00	CND	H	0.70	0.70	\$0.00	\$0.00	Calatlantic Group Inc
678 700 32 04	1.00	CND	H	0.70	0.70	\$0.00	\$0.00	Calatlantic Group Inc
678 700 32 05	1.00	CND	H	0.70	0.70	\$0.00	\$0.00	Calatlantic Group Inc
678 700 32 06	1.00	CND	H	0.70	0.70	\$0.00	\$0.00	Calatlantic Group Inc
678 700 33 01	1.00	CND	H	0.70	0.70	\$0.00	\$0.00	Calatlantic Group Inc
678 700 33 02	1.00	CND	H	0.70	0.70	\$0.00	\$0.00	Calatlantic Group Inc
678 700 33 03	1.00	CND	H	0.70	0.70	\$0.00	\$0.00	Calatlantic Group Inc
678 700 33 04	1.00	CND	H	0.70	0.70	\$0.00	\$0.00	Calatlantic Group Inc
678 700 33 05	1.00	CND	H	0.70	0.70	\$0.00	\$0.00	Calatlantic Group Inc
678 700 33 06	1.00	CND	H	0.70	0.70	\$0.00	\$0.00	Calatlantic Group Inc
678 700 33 07	1.00	CND	H	0.70	0.70	\$0.00	\$0.00	Calatlantic Group Inc
678 700 34 01	1.00	CND	H	0.70	0.70	\$0.00	\$0.00	Calatlantic Group Inc
678 700 34 02	1.00	CND	H	0.70	0.70	\$0.00	\$0.00	Calatlantic Group Inc
678 700 34 03	1.00	CND	H	0.70	0.70	\$0.00	\$0.00	Calatlantic Group Inc
678 700 34 04	1.00	CND	H	0.70	0.70	\$0.00	\$0.00	Calatlantic Group Inc
678 700 34 05	1.00	CND	H	0.70	0.70	\$0.00	\$0.00	Calatlantic Group Inc
678 700 34 06	1.00	CND	H	0.70	0.70	\$0.00	\$0.00	Calatlantic Group Inc
678 700 34 07	1.00	CND	H	0.70	0.70	\$0.00	\$0.00	Calatlantic Group Inc
678 700 35 01	1.00	CND	H	0.70	0.70	\$0.00	\$0.00	Calatlantic Group Inc
678 700 35 02	1.00	CND	H	0.70	0.70	\$0.00	\$0.00	Calatlantic Group Inc
678 700 35 03	1.00	CND	H	0.70	0.70	\$0.00	\$0.00	Calatlantic Group Inc
678 700 35 04	1.00	CND	H	0.70	0.70	\$0.00	\$0.00	Calatlantic Group Inc
678 700 35 05	1.00	CND	H	0.70	0.70	\$0.00	\$0.00	Calatlantic Group Inc
678 700 35 06	1.00	CND	H	0.70	0.70	\$0.00	\$0.00	Calatlantic Group Inc
678 700 35 07	1.00	CND	H	0.70	0.70	\$0.00	\$0.00	Calatlantic Group Inc
678 700 36 01	1.00	CND	H	0.70	0.70	\$0.00	\$0.00	Calatlantic Group Inc
678 700 36 02	1.00	CND	H	0.70	0.70	\$0.00	\$0.00	Calatlantic Group Inc
678 700 36 03	1.00	CND	H	0.70	0.70	\$0.00	\$0.00	Calatlantic Group Inc

## EXHIBIT C - Assessment Roll (Fiscal Year 2020)

### Black Mountain Ranch North Maintenance Assessment District

Parcel Number	Acres/ Units <sup>(1)</sup>	Land Use Code <sup>(2)</sup>	Zone	Land Use Factor <sup>(2)</sup>	Total EBUs	Unit Cost (\$/EBU)	FY 2020 <sup>(3)</sup> Assessment	Owner Name
678 700 36 04	1.00	CND	H	0.70	0.70	\$0.00	\$0.00	Calatlantic Group Inc
678 700 36 05	1.00	CND	H	0.70	0.70	\$0.00	\$0.00	Calatlantic Group Inc
678 700 36 06	1.00	CND	H	0.70	0.70	\$0.00	\$0.00	Calatlantic Group Inc
678 700 36 07	1.00	CND	H	0.70	0.70	\$0.00	\$0.00	Calatlantic Group Inc
678 700 36 08	1.00	CND	H	0.70	0.70	\$0.00	\$0.00	Calatlantic Group Inc
678 700 36 09	1.00	CND	H	0.70	0.70	\$0.00	\$0.00	Calatlantic Group Inc
678 700 36 10	1.00	CND	H	0.70	0.70	\$0.00	\$0.00	Calatlantic Group Inc
678 700 36 11	1.00	CND	H	0.70	0.70	\$0.00	\$0.00	Calatlantic Group Inc
678 700 36 12	1.00	CND	H	0.70	0.70	\$0.00	\$0.00	Calatlantic Group Inc
678 700 37 01	1.00	CND	H	0.70	0.70	\$0.00	\$0.00	Calatlantic Group Inc
678 700 37 02	1.00	CND	H	0.70	0.70	\$0.00	\$0.00	Calatlantic Group Inc
678 700 37 03	1.00	CND	H	0.70	0.70	\$0.00	\$0.00	Calatlantic Group Inc
678 700 37 04	1.00	CND	H	0.70	0.70	\$0.00	\$0.00	Calatlantic Group Inc
678 700 37 05	1.00	CND	H	0.70	0.70	\$0.00	\$0.00	Calatlantic Group Inc
678 700 37 06	1.00	CND	H	0.70	0.70	\$0.00	\$0.00	Calatlantic Group Inc
678 700 37 07	1.00	CND	H	0.70	0.70	\$0.00	\$0.00	Calatlantic Group Inc
678 700 37 08	1.00	CND	H	0.70	0.70	\$0.00	\$0.00	Calatlantic Group Inc
678 700 37 09	1.00	CND	H	0.70	0.70	\$0.00	\$0.00	Calatlantic Group Inc
678 700 37 10	1.00	CND	H	0.70	0.70	\$0.00	\$0.00	Calatlantic Group Inc
678 700 37 11	1.00	CND	H	0.70	0.70	\$0.00	\$0.00	Calatlantic Group Inc
678 700 37 12	1.00	CND	H	0.70	0.70	\$0.00	\$0.00	Calatlantic Group Inc
678 700 38 01	1.00	CND	H	0.70	0.70	\$0.00	\$0.00	Calatlantic Group Inc
678 700 38 02	1.00	CND	H	0.70	0.70	\$0.00	\$0.00	Calatlantic Group Inc
678 700 38 03	1.00	CND	H	0.70	0.70	\$0.00	\$0.00	Calatlantic Group Inc
678 700 38 04	1.00	CND	H	0.70	0.70	\$0.00	\$0.00	Calatlantic Group Inc
678 700 38 05	1.00	CND	H	0.70	0.70	\$0.00	\$0.00	Calatlantic Group Inc
678 700 38 06	1.00	CND	H	0.70	0.70	\$0.00	\$0.00	Calatlantic Group Inc
678 700 38 07	1.00	CND	H	0.70	0.70	\$0.00	\$0.00	Calatlantic Group Inc
678 700 38 08	1.00	CND	H	0.70	0.70	\$0.00	\$0.00	Calatlantic Group Inc
678 700 38 09	1.00	CND	H	0.70	0.70	\$0.00	\$0.00	Calatlantic Group Inc
678 700 38 10	1.00	CND	H	0.70	0.70	\$0.00	\$0.00	Calatlantic Group Inc
678 700 38 11	1.00	CND	H	0.70	0.70	\$0.00	\$0.00	Calatlantic Group Inc
678 700 38 12	1.00	CND	H	0.70	0.70	\$0.00	\$0.00	Calatlantic Group Inc
678 700 39 01	1.00	CND	H	0.70	0.70	\$0.00	\$0.00	Calatlantic Group Inc
678 700 39 02	1.00	CND	H	0.70	0.70	\$0.00	\$0.00	Calatlantic Group Inc
678 700 39 03	1.00	CND	H	0.70	0.70	\$0.00	\$0.00	Calatlantic Group Inc
678 700 39 04	1.00	CND	H	0.70	0.70	\$0.00	\$0.00	Calatlantic Group Inc
678 700 39 05	1.00	CND	H	0.70	0.70	\$0.00	\$0.00	Calatlantic Group Inc
678 700 39 06	1.00	CND	H	0.70	0.70	\$0.00	\$0.00	Calatlantic Group Inc
678 700 39 07	1.00	CND	H	0.70	0.70	\$0.00	\$0.00	Calatlantic Group Inc
678 700 39 08	1.00	CND	H	0.70	0.70	\$0.00	\$0.00	Calatlantic Group Inc
678 700 39 09	1.00	CND	H	0.70	0.70	\$0.00	\$0.00	Calatlantic Group Inc
678 700 39 10	1.00	CND	H	0.70	0.70	\$0.00	\$0.00	Calatlantic Group Inc
678 700 39 11	1.00	CND	H	0.70	0.70	\$0.00	\$0.00	Calatlantic Group Inc
678 700 39 12	1.00	CND	H	0.70	0.70	\$0.00	\$0.00	Calatlantic Group Inc
678 700 40 00	0.20	OSP	H	0.00	0.00	\$0.00	\$0.00	Calatlantic Group Inc
678 701 01 00	1.20	STR	H	0.00	0.00	\$0.00	\$0.00	Calatlantic Group Inc
678 701 02 00	28.11	OSP	H	0.00	0.00	\$0.00	\$0.00	Calatlantic Group Inc
678 701 03 00	17.22	OSP	H	0.00	0.00	\$0.00	\$0.00	Calatlantic Group Inc

<b>TOTAL</b>	-	-	-	-	<b>5,203.97</b>	-	<b>\$0</b>	
--------------	---	---	---	---	-----------------	---	------------	--

<sup>(1)</sup> Applicable units (acres or dwelling units) dependent upon Land Use Code

<sup>(2)</sup> Refer to Assessment Engineer's Report for descriptions of Land Use Code and Land Use Factor.

<sup>(3)</sup> FY 2020 is the City's Fiscal Year 2020, which begins July 1, 2019 and ends June 30, 2020