



THE CITY OF SAN DIEGO



ANNUAL REPORT

for Fiscal Year 2024

BLACK MOUNTAIN RANCH NORTH MAINTENANCE ASSESSMENT DISTRICT

under the provisions of the

**San Diego Maintenance Assessment District Procedural Ordinance
of the San Diego Municipal Code**

Prepared For
City of San Diego, California



Prepared By
EFS Engineering, Inc.
P.O. Box 22370
San Diego, CA 92192-2370
(858) 752-3490

April 2023

CITY OF SAN DIEGO

Mayor

Todd Gloria

City Council Members

Joe LaCava
District 1

Marni von Wilpert
District 5

Jennifer Campbell
District 2

Kent Lee
District 6

Stephen Whitburn
District 3

Raul Campillo
District 7

Monica Montgomery Steppe
District 4 (Council President Pro Tem)

Vivian Moreno
District 8

Sean Elo-Rivera
District 9 (Council President)

City Attorney

Mara W. Elliott

Chief Operating Officer

Eric K. Dargan

Interim City Clerk

Diana J.S. Fuentes

Independent Budget Analyst

Charles Modica

City Engineer

Rania Amen

Table of Contents

Annual Report for Fiscal Year 2024
Black Mountain Ranch North Maintenance Assessment District

Preamble.....	1
Executive Summary	2
Background	3
District Boundary	3
Project Description	3
Separation of General and Special Benefits	4
Cost Estimate.....	4
Annual Cost-Indexing	4
Method of Apportionment.....	5
Estimated Benefit of Improvements	5
Apportionment Methodology	5
Equivalent Benefit Units (EBUs).....	6
Land Use Factor	6
Unit Assessment Rates	7
Sample Calculations	9
Summary Results.....	10

EXHIBITS

Exhibit A: District Boundary

Exhibit B: Estimated Budget – Revenue & Expense Statement
for Fiscal Year 2024

Exhibit C: Preliminary Assessment Roll for Fiscal Year 2024

Annual Report for Fiscal Year 2024

Black Mountain Ranch North

Maintenance Assessment District

Preamble

Pursuant to §65.0220 of the “San Diego Maintenance Assessment District Procedural Ordinance” (being Division 2, Article 5, Chapter 6 of the *San Diego Municipal Code*) and City of San Diego Council Resolution No. R-310618 passed on July 22, 2016, authorizing the continued levy of assessments for the life of the BLACK MOUNTAIN RANCH NORTH MAINTENANCE ASSESSMENT DISTRICT (hereinafter referred to as “District”), and in accordance with applicable provisions of “Proposition 218” (being Article XIIIID of the California Constitution), and provisions of the “Proposition 218 Omnibus Implementation Act” (being California Senate Bill 919) (the aforementioned provisions are hereinafter referred to collectively as “applicable law”), and in accordance with Resolution No. _____, adopted by the CITY COUNCIL OF THE CITY OF SAN DIEGO, COUNTY OF SAN DIEGO, STATE OF CALIFORNIA, and in connection with the annual proceedings for the District, EFS Engineering, Inc., as Assessment Engineer to the City of San Diego, submits herewith this annual report for the District as required by §65.0220 of the “San Diego Maintenance Assessment District Procedural Ordinance.”

DATE OF FINAL PASSAGE BY THE CITY OF SAN DIEGO,
COUNTY OF SAN DIEGO, STATE OF CALIFORNIA, ON THE
_____ DAY OF _____, 2023.

Diana J.S. Fuentes, CITY CLERK
CITY OF SAN DIEGO
STATE OF CALIFORNIA

Executive Summary

Project: Black Mountain Ranch North
Maintenance Assessment District

Apportionment Method: Equivalent Benefit Unit (EBU)

	FY 2023	FY 2024 ⁽¹⁾	Maximum ⁽²⁾ Authorized
Total Parcels Assessed:	3,059	3,073	--
Total Estimated Assessment:	\$51,395	\$102,300	--
Total Number of EBUs:	5,192.47	5,152.57	--
<i>Zone A</i>	616.98	616.98	--
<i>Zone B</i>	12.00	12.00	--
<i>Zone C</i>	58.00	58.00	--
<i>Zone D</i>	618.83	618.83	--
<i>Zone E</i>	575.04	575.04	--
<i>Zone F</i>	2,121.49	2,081.59	--
<i>Zone G</i>	412.63	412.63	--
<i>Zone H</i>	777.50	777.50	--
Assessment per EBU:			
<i>Zone A</i>	\$2.24	\$4.48	\$26.93 ⁽³⁾
<i>Zone B</i>	\$36.16	\$72.32	\$434.60 ⁽³⁾
<i>Zone C</i>	\$5.90	\$11.80	\$70.95 ⁽³⁾
<i>Zone D</i>	\$27.88	\$55.76	\$335.06 ⁽³⁾
<i>Zone E</i>	\$21.28	\$42.56	\$255.92 ⁽³⁾
<i>Zone F</i>	\$6.24	\$12.48	\$74.95 ⁽³⁾
<i>Zone G</i>	\$7.46	\$14.92	\$89.65 ⁽³⁾
<i>Zone H</i>	\$4.42	\$8.84	\$53.07 ⁽³⁾

⁽¹⁾ FY 2024 is the City's Fiscal Year 2024, which begins July 1, 2023 and ends June 30, 2024. Total Parcels Assessed, Total Estimated Assessment, and assessment apportionment factors may vary from prior fiscal year values due to parcel changes and/or land use re-classifications.

⁽²⁾ Maximum authorized assessment rate subject to cost-indexing as approved by property owners at the time of District formation.

⁽³⁾ Prior fiscal year's maximum authorized annual assessment rate increased by cost-indexing factor of 10.29%.

Annual Cost-Indexing: The maximum authorized assessment rates are cost-indexed and will increase (or decrease) annually based on the annual change in the *San Diego Consumer Price Index for Urban Consumers* (SDCPI-U) plus 3%.

Background

The Black Mountain Ranch North Maintenance Assessment District (District) was established by the City of San Diego (City) on June 27, 2006 by City Council Resolution R-301612. The purpose of the District was, and still is, to fund specifically identified improvements and activities within the boundary of the District.

In conformity with §65.0221 of the “San Diego Maintenance Assessment District Procedural Ordinance,” the City adopted Resolution No. R-310618 on July 22, 2016, approving the annual budget and assessments for Fiscal Year 2017, and authorizing the levy of the assessments for the life of the District, consistent with the benefit findings and assessment apportionment method contained in the approved formational and all subsequently updated Engineer’s Reports (Engineer’s Reports). The Engineer’s Reports are on file with the City Clerk, and incorporated herein by reference.

The District is authorized and administered under the provisions of the “San Diego Maintenance Assessment District Procedural Ordinance.” This annual report has been prepared pursuant to the requirements of §65.0220 of the “San Diego Maintenance Assessment District Procedural Ordinance.”

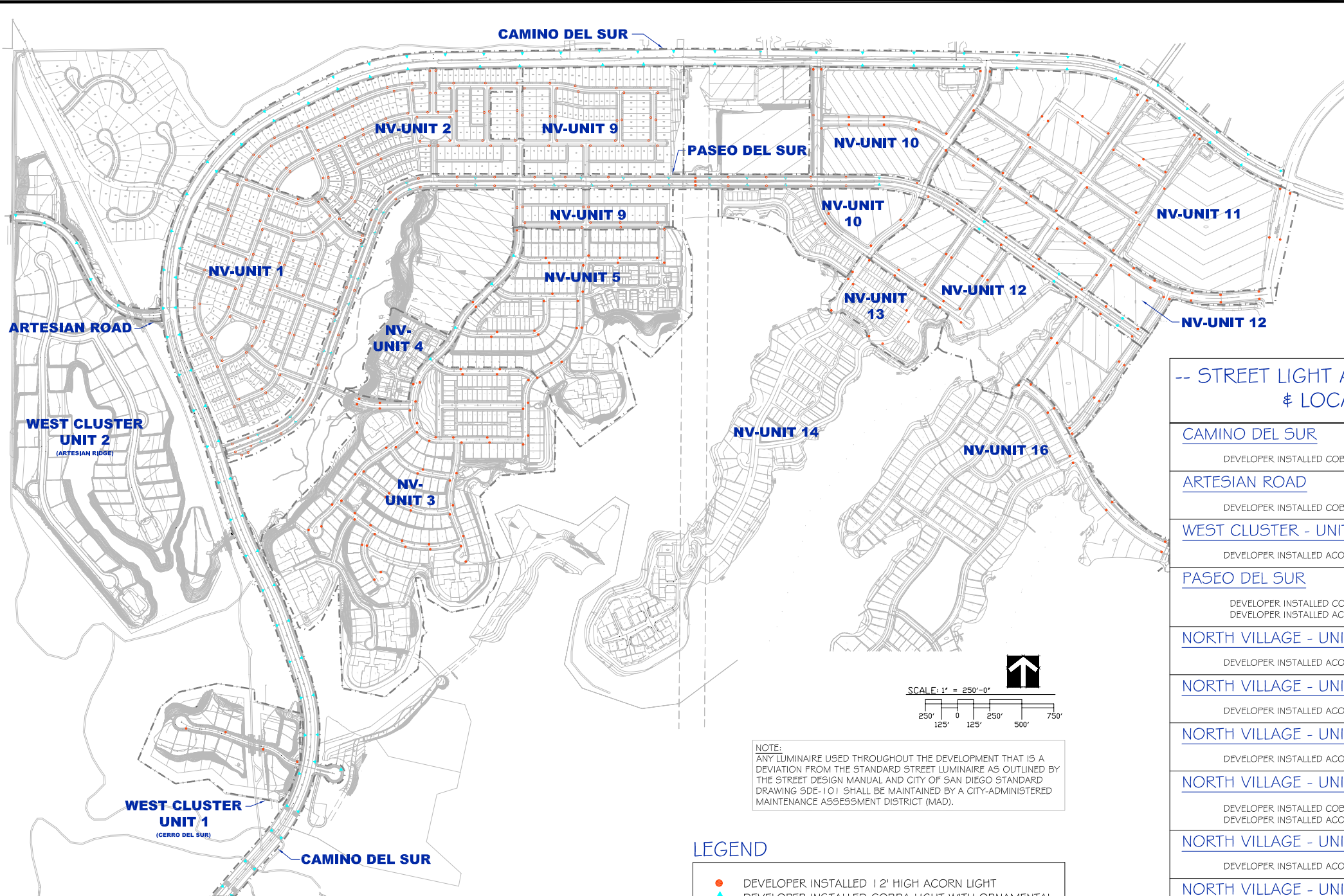
District Boundary

The District boundary is generally depicted in **Exhibit A**. The District Boundary Map and Assessment Diagram are on file in the Maintenance Assessment Districts section of the Parks and Recreation Department of the City, and, by reference, are made a part of this annual report.

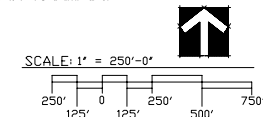
Project Description

The authorized assessments will be used to fund specifically identified improvements and activities within the District. The District improvements and activities generally consist of maintenance and servicing of identified street lighting improvements (i.e., decorative acorn style and cobra style fixtures) in the District. The approximate location of the improvements is generally shown in **Figure 1**.

For additional detail as to the location, type of improvements, and activities performed by the District, please refer to the maps, improvement plans, engineering drawings, maintenance specifications, the Engineer’s Reports and other associated documents on file with the Maintenance Assessment Districts section of the Parks and Recreation Department of the City. These documents, collectively, are



NOTE:
ANY LUMINAIRE USED THROUGHOUT THE DEVELOPMENT THAT IS A DEVIATION FROM THE STANDARD STREET LUMINAIRE AS OUTLINED BY THE STREET DESIGN MANUAL AND CITY OF SAN DIEGO STANDARD DRAWING SDE-101 SHALL BE MAINTAINED BY A CITY-ADMINISTERED MAINTENANCE ASSESSMENT DISTRICT (MAD).



LEGEND

- DEVELOPER INSTALLED 12' HIGH ACORN LIGHT
- ▲ DEVELOPER INSTALLED COBRA LIGHT WITH ORNAMENTAL BASE

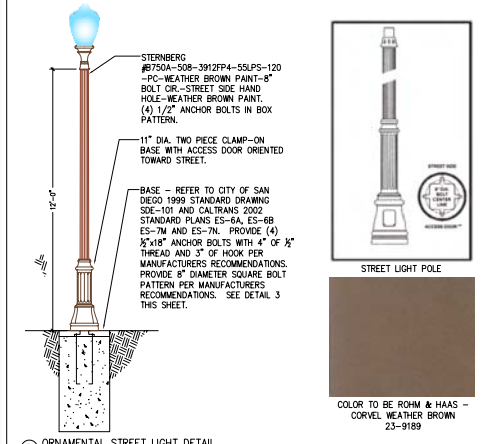
-- STREET LIGHT ANALYSIS BY STYLE & LOCATION --

CAMINO DEL SUR	(TM-40-0529)
DEVELOPER INSTALLED COBRA LIGHTS = 91	
ARTESIAN ROAD	
DEVELOPER INSTALLED COBRA LIGHTS = 5	
WEST CLUSTER - UNIT 1 - (CERRO DEL SUR)	TM-40-0529
DEVELOPER INSTALLED ACORN LIGHTS = 4	
PASEO DEL SUR	(TM-40-0528)
DEVELOPER INSTALLED COBRA LIGHTS = 40 DEVELOPER INSTALLED ACORN LIGHTS = 61	
NORTH VILLAGE - UNIT 1	(TM-40-0528)
DEVELOPER INSTALLED ACORN LIGHTS = 57	
NORTH VILLAGE - UNIT 2	(TM-40-0528)
DEVELOPER INSTALLED ACORN LIGHTS = 58	
NORTH VILLAGE - UNIT 9	(TM-40-0528)
DEVELOPER INSTALLED ACORN LIGHTS = 37	
NORTH VILLAGE - UNIT 3	(TM-40-0528)
DEVELOPER INSTALLED COBRA LIGHTS = 4 DEVELOPER INSTALLED ACORN LIGHTS = 62	
NORTH VILLAGE - UNIT 5	(TM-40-0528)
DEVELOPER INSTALLED ACORN LIGHTS = 21	
NORTH VILLAGE - UNIT 10	(TM-40-0528)
DEVELOPER INSTALLED ACORN LIGHTS = 19	
NORTH VILLAGE - UNIT 11	(TM-40-0528)
DEVELOPER INSTALLED ACORN LIGHTS = 27	
NORTH VILLAGE - UNIT 12	(TM-40-0528)
DEVELOPER INSTALLED ACORN LIGHTS = 41	
NORTH VILLAGE - UNIT 13	(TM-40-0528)
DEVELOPER INSTALLED ACORN LIGHTS = 12	
NORTH VILLAGE - UNIT 16	(TM-40-0528)
DEVELOPER INSTALLED ACORN LIGHTS = 10	

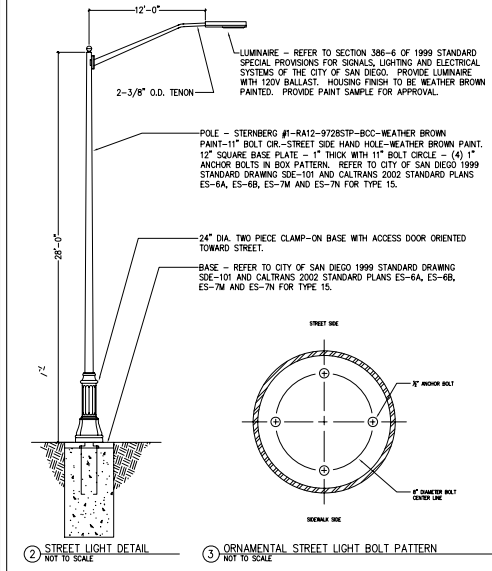
LIGHTING DETAILS AND AESTHETICS



DEL SUR - STREET LIGHTS & SIGNAGE



1 ORNAMENTAL STREET LIGHT DETAIL NOT TO SCALE



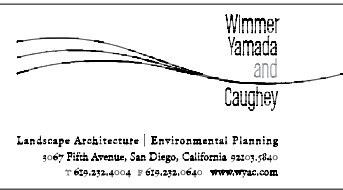
2 STREET LIGHT DETAIL NOT TO SCALE

3 ORNAMENTAL STREET LIGHT BOLT PATTERN NOT TO SCALE

DEL SUR - PUBLIC STREET LIGHT EXHIBIT



CLIENT: Black Mountain Ranch LLC
CONSULTANT: Wimmer Yamada and Caughey
DATE: February 24, 2006



incorporated herein by reference and made part of this annual report.

Separation of General and Special Benefits

The identified improvements and activities provide benefits to the parcels located within the District. These benefits are “special benefits” to the extent that they are above and beyond the City’s standard level of service, and exclusive of those “general benefits” provided to the public at large or properties located outside the District. By law, only “special benefits” are assessable.

The assessments presented in this annual report are based on the cost of improvements and activities determined to provide “special benefits” in accordance with the Engineer’s Reports. For additional detail relative to the separation and quantification of general and special benefits for the District, please refer to the Engineer’s Reports, on file with the Maintenance Assessment Districts section of the Parks and Recreation Department of the City.

Cost Estimate

The estimated annual budget (Revenue & Expense Statement) is included as **Exhibit B**. The “Other Contributions (Non Assessment Source)” revenue contained in the budget includes the value of improvements and activities determined to provide “general benefits.” The District budget with full detail is available for public reference in the Maintenance Assessment Districts section of the Parks and Recreation Department of the City.

Annual Cost-Indexing

The maximum authorized assessment set forth in the Engineer’s Reports is permitted to increase annually based on the published change in the “San Diego Consumer Price Index for Urban Consumers” (SDCPI-U) plus 3%. The annual change in second half SDCPI-U values, as compiled by the *U.S. Bureau of Labor Statistics* (see www.bls.gov), for the prior year period was from 325.241 to 348.945 (a 7.29% increase). In accordance with the approved cost-indexing provisions, the maximum authorized assessment rate has been increased by 10.29%.

Method of Apportionment

Estimated Benefit of Improvements

The Community Design Element of the *Black Mountain Ranch Subarea Plan* (Subarea Plan) and the general policy recommendations found in the City's *Progress Guide & General Plan* (General Plan) establish several goals and guidelines for the planned development of the community. The District improvements and activities are consistent with these goals. The City's General Plan and Subarea Plan support the establishment of community-based improvement and maintenance districts, such as this District, to fund enhanced improvements and activities.

Camino Del Sur & Paseo Del Sur. Collectively, Camino Del Sur and Paseo Del Sur make up the backbone street network for the community. These streets serve as the primary access routes for inter-community and intra-community trips, serving all parcels within the community. All parcels within the District benefit from the aesthetic enhancement of these streets and the enhanced community image provided by District improvements and activities. As such, all parcels within the District have been assessed for the improvements and activities on Camino Del Sur and Paseo Del Sur. The assessment costs associated with these improvements and activities (common to all parcels) are termed "overlay" costs.

Other Collector & Neighborhood Streets. The other collector and neighborhood streets serve as the primary access routes to and from the backbone street system, serving parcels within a specific area. Only those parcels served by such collector and neighborhood streets benefit from their enhancement. Consistent with this concept, the District has been divided into eight zones as shown in **Exhibit A**. The assessment costs associated with improvements and activities located along the other collector and neighborhood streets are termed "zone" costs.

Apportionment Methodology

The total cost associated with District improvement and activities will be assessed proportionally to the parcels in the District based on Equivalent Benefit Units (EBUs). The total assessment for a given parcel is equal to the parcel's total EBUs multiplied by the Unit Assessment Rate (unique to the zone in which parcel is situated) as shown in the following equation:

$\text{Total Assessment} = \text{Total EBUs} \times \text{Unit Assessment Rate}$
--

Equivalent Benefit Units (EBUs)

EBUs for each parcel have been determined as a function of parcel area or number of residential units and a Land Use Factor, as shown in the following equation:

$$\text{EBUs} = (\text{Acres or Units}) \times \text{Land Use Factor}$$

Parcels determined to receive no benefit from District improvements and activities have been assigned zero (0) EBUs.

Land Use Factor

Since the proposed District improvements and activities are primarily associated with the Transportation Element of City's General Plan and Community Plan, trip generation rates for various land use categories (as previously established by the City's Transportation Planning Section) have been used as the primary basis for the development of Land Use Factors. While these trip generation rates address vehicular trips, they are also considered to approximately reflect relative trip generation for other modes of transportation (e.g., pedestrian trips, bicycle trips, etc.), and are considered the best available information for these other transportation modes.

Trip generation rates provide the required nexus and basis for assigning relative proportionality of potential benefit to the various land use/zoning classifications (as defined by the City's Municipal Code) within the District. Land use/zoning classifications have been grouped with averaged trip generation rates assigned to establish the Land Use Factors as shown in **Table 1**.

Designated open space serves primarily to preserve natural landscape and habitat. While access for study and passive recreation is often permitted, these activities are allowed only to the extent they are consistent with the primary purpose of natural preservation. Since this land is essentially "unused" in the customary terms of land use (which relate to human use and development), the trip generation rate is zero. Therefore, the designated open space itself receives no benefit from the District improvements and activities and has been assigned a Land Use Factor of zero.

TABLE 1: Land Use Factors

Land Use/Zoning	Code	Land Use Factor ⁽¹⁾
Residential – Single Family (detached)	SFD	1.0 per dwelling unit
Residential – Condominium	CND	0.7 per dwelling unit
Residential – Multi-Family & Apartment	MFR	0.7 per dwelling unit
Commercial – Office & Retail	COM	45.0 per acre
Educational – Primary & Secondary	EPS	5.0 per acre
Fire/Police Station	FPS	15.0 per acre
Golf Course	GLF	0.80 per acre
Hotel	HTL	15.0 per acre
Industrial & Institutional	IND	15.0 per acre
Open Space (designated)	OSP	0 per acre
Park – Developed	PKD	5.0 per acre
Park – Undeveloped	PKU	0.5 per acre
Recreational Facility	REC	3.0 per acre
Street/Roadway	STR	0 per acre
Transit Station	TRN	30.0 per acre
Street/Roadway	STR	0 per acre
Undevelopable	UND	0 per acre
Utility Facility	UTL	3.0 per acre

⁽¹⁾ Proportional to trip generation rates contained in the City of San Diego *Trip Generation Manual* (May 2003).

While those traveling the streets and roadways visually enjoy the enhanced District improvements and activities, the actual benefit accrues to the lands at the origins and destinations of their trips, not to the lands of the streets and roadways, themselves. Accordingly, the Streets/Roadways category receives no benefit and has been assigned a Land Use Factor of zero.

The Recreational Facility category includes those parcels that consist primarily of concentrated facilities, such as swimming pools, gymnasiums, racquetball clubs, etc. Recreational facilities of a more dispersed nature (e.g., parks, golf courses, etc.) have been categorized separately.

Unit Assessment Rates

As previously mentioned, all parcels have been assessed for the District improvements and activities located along Camino Del Sur and Paseo Del Sur. The assessment costs associated with these improvements and activities (common to all parcels) are termed “overlay” costs. Parcels within each zone have been assessed for the improvements and activities on the collector and neighborhood streets serving their respective zone. The assessment costs associated with these improvements and activities are termed “zone” costs.

The total “overlay” costs have been apportioned to each parcel in proportion to the parcel’s estimated EBUs relative to the total of all District EBUs. The total “zone” costs have been apportioned to each parcel in proportion to the parcel’s estimated EBUs relative to the total of all EBUs within the zone.

The Unit Assessment Rate (rate per EBU) is equal to the sum of the “overlay” unit rate and the “zone” unit rate as shown in the following equation:

$\text{Unit Assessment Rate} = \text{Overlay Unit Rate} + \text{Zone Unit Rate}$
--

The Unit Assessment Rate (also referred to as the “Assessment per EBU”) for each zone is presented in the Executive Summary section of this annual report.

Sample Calculations

As described above, the number of Equivalent Benefit Units (EBUs) assigned to each parcel in the District has been calculated based on each parcel's land use and the identified apportionment factors, as shown in the following equation:

$$\text{EBUs} = (\text{Acres or Units}) \times \text{Land Use Factor}$$

Shown below are sample EBU calculations for several common land uses found in the District.

- **1 Single-Family Residence**
EBUs = 1 unit x 1.00 = 1.00 EBUs
- **1 Condominium**
EBUs = 1 unit x 0.70 = 0.70 EBUs
- **10-unit Apartment Complex**
EBUs = 10 units x 0.70 = 7.00 EBUs
- **½-acre Commercial Property**
EBUs = 0.50 acres x 45.00 = 22.50 EBUs

The total assessment for each parcel in the District is based on the calculated EBUs for the parcel and the applicable unit assessment rate for the zone in which the parcel is located, as shown in the following equation:

$$\text{Total Assessment} = \text{Total EBUs} \times \text{Unit Assessment Rate}$$

Based on the above formula, the EBUs, unit assessment rate, and total assessment calculated for each property, can be found in the Assessment Roll (**Exhibit C**).

Summary Results

The District Boundary is presented in **Exhibit A**.

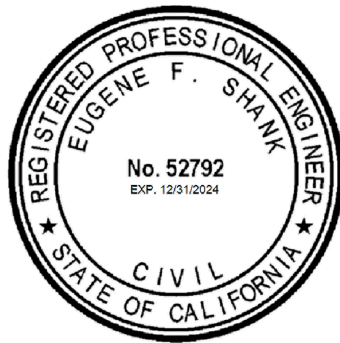
An estimate of the annual costs of the improvements and activities provided by the District is included as **Exhibit B**.

The assessment methodology utilized is as described in the text of this annual report. Based on this methodology, the assessments for each parcel were calculated and are shown in the Preliminary Assessment Roll (**Exhibit C**).

Each lot or parcel of land within the District has been identified by unique County Assessor's Parcel Number in the Preliminary Assessment Roll and on the Boundary Map and Assessment Diagram referenced herein.

This annual report has been prepared and respectfully submitted by:

EFS ENGINEERING, INC.



Eugene F. Shank

Eugene F. Shank, PE

C 52792

Sharon F. Risse

Sharon F. Risse

EXHIBIT A

District Boundary



BOUNDARY MAP & ASSESSMENT DIAGRAM

FILED IN THE OFFICE OF THE CITY CLERK OF THE CITY OF SAN DIEGO, STATE OF CALIFORNIA, THIS ____ DAY OF _____, 2006.

ELIZABETH MALAND, CITY CLERK
CITY OF SAN DIEGO
STATE OF CALIFORNIA

PREPARED BY:
BOYLE ENGINEERING CORPORATION
7807 Conroy Court, Suite 200, San Diego, California 92111 (659) 268-8080

I HEREBY CERTIFY THAT THE WITHIN MAP SHOWING PROPOSED BOUNDARIES OF THE BLACK MOUNTAIN RANCH NORTH MAINTENANCE ASSESSMENT DISTRICT, CITY OF SAN DIEGO, STATE OF CALIFORNIA, WAS APPROVED BY THE CITY COUNCIL AT A REGULAR MEETING THEREOF, HELD ON THE ____ DAY OF _____, 2006, BY ITS RESOLUTION NO. _____.

ELIZABETH MALAND, CITY CLERK
CITY OF SAN DIEGO
STATE OF CALIFORNIA

AN ASSESSMENT WAS LEVIED BY THE CITY COUNCIL OF THE CITY OF SAN DIEGO ON THE LOTS, PIECES, AND PARCELS OF LAND SHOWN ON THIS ASSESSMENT DIAGRAM. SAID ASSESSMENT WAS LEVIED ON THE ____ DAY OF _____, 2006; SAID ASSESSMENT DIAGRAM AND THE ASSESSMENT ROLL WERE RECORDED IN THE OFFICE OF THE SUPERINTENDENT OF STREETS OF THE CITY OF SAN DIEGO, STATE OF CALIFORNIA ON THE ____ DAY OF _____, 2006. REFERENCE IS MADE TO THE ASSESSMENT ROLL RECORDED IN THE OFFICE OF THE SUPERINTENDENT OF STREETS FOR THE EXACT AMOUNT OF EACH ASSESSMENT LEVIED AGAINST EACH PARCEL OF LAND SHOWN ON THIS ASSESSMENT DIAGRAM.

LEGEND:

- District Boundary
- - - Zone Boundary
- Parcel Line

NOTE:
FOR A DETAILED DESCRIPTION OF THE LINES AND DIMENSIONS OF LOTS OR PARCELS SHOWN ON THIS MAP, REFER TO THE COUNTY ASSESSOR'S MAPS WHICH SHALL GOVERN WITH RESPECT TO ALL DETAILS CONCERNING THE LINES AND DIMENSIONS OF SUCH LOTS OR PARCELS.

REFER TO THE ENGINEER'S REPORT AND REFERENCED DOCUMENTS, INCORPORATED HEREIN BY REFERENCE, FOR LOCATION AND TYPE OF IMPROVEMENTS.



CITY OF
SAN DIEGO

BLACK MOUNTAIN RANCH NORTH MAINTENANCE ASSESSMENT DISTRICT

W.O.

DATE: MAR 2006

REVS:

EXHIBIT B

**Estimated Budget – Revenue & Expense Statement
for Fiscal Year 2024**

EXHIBIT B

REVENUE AND EXPENSE STATEMENT

Black Mountain Ranch North Maintenance Assessment District Fund 200089

	<u>FY 2022 ACTUALS</u>	<u>FY 2023 ESTIMATE</u>	<u>FY 2024 PROPOSED</u>
BEGINNING FUND BALANCE			
Surplus (or Deficit) from Prior Year	\$ 235,751.38	\$ 149,384.87	\$ 59,418.87
TOTAL BEGINNING FUND BALANCE	\$ 235,751.38	\$ 149,384.87	\$ 59,418.87
REVENUE			
Assessment Revenue	\$ 46,504.36	\$ 51,392.00	\$ 102,299.86
Interest	\$ 1,674.13	\$ 4,987.00	\$ 4,987.00
Other Contributions (Non Assessment Source)	\$ 1,626.00	\$ 1,660.00	\$ 1,826.00
TOTAL REVENUE	\$ 49,804.49	\$ 58,039.00	\$ 109,112.86
TOTAL BEGINNING FUND BALANCE & REVENUE	\$ 285,555.87	\$ 207,423.87	\$ 168,531.73
OPERATING EXPENSE			
Misc. Services ⁽¹⁾	\$ 89,044.00	\$ 99,043.00	\$ 99,043.00
Special Districts Administrative Cost	\$ 47,127.00	\$ 48,962.00	\$ 50,774.00
TOTAL OPERATING EXPENSE	\$ 136,171.00	\$ 148,005.00	\$ 149,817.00
TOTAL EXPENSE	\$ 136,171.00	\$ 148,005.00	\$ 149,817.00
TOTAL ENDING FUND BALANCE	\$ 149,384.87	\$ 59,418.87	\$ 18,714.73
NET ANNUAL REVENUE (OR EXPENSE)	\$ (86,366.51)	\$ (89,966.00)	\$ (40,704.14)

⁽¹⁾ Includes street light maintenance & electrician costs.

The District budget with full detail is available for public reference in the Maintenance Assessment Districts section of the Parks and Recreation Department of the City of San Diego.

EXHIBIT C

**Preliminary Assessment Roll
for Fiscal Year 2024**

EXHIBIT C - Assessment Roll (Fiscal Year 2024)

Black Mountain Ranch North Maintenance Assessment District

Parcel Number	Acres/ Units ⁽¹⁾	Land Use Code ⁽²⁾	Zone	Land Use Factor ⁽²⁾	Total EBUs	Unit Cost (\$/Ebu)	FY 2024 ⁽³⁾ Assessment	Owner Name
267 150 07 00	2.52	STR	A	0.00	0.00	\$4.48	\$0.00	Del Sur Community Association
267 150 13 00	7.17	OSP	A	0.00	0.00	\$4.48	\$0.00	Del Sur Community Association
267 150 30 00	65.46	OSP	A	0.00	0.00	\$4.48	\$0.00	Del Sur Community Association
267 150 32 00	0.05	OSP	C	0.00	0.00	\$11.80	\$0.00	Del Sur Community Association
267 150 36 00	0.68	UTL	A	3.00	2.04	\$4.48	\$9.14	City Of San Diego
267 150 41 00	285.47	GLF	A	0.80	228.38	\$4.48	\$1,023.12	Black Mountain Ranch L L C
267 231 01 00	1.00	SFD	D	1.00	1.00	\$55.76	\$55.76	Dattani Anuj H&Dabholkar Dipti
267 231 02 00	1.00	SFD	D	1.00	1.00	\$55.76	\$55.76	Cazarin Christian P&Sanudo Ana H M
267 231 03 00	1.00	SFD	D	1.00	1.00	\$55.76	\$55.76	Kotta Family 12-14-16
267 231 04 00	1.00	SFD	D	1.00	1.00	\$55.76	\$55.76	Shanmugam Sengouttouvane&Veerasamy Kavitha
267 231 05 00	1.00	SFD	D	1.00	1.00	\$55.76	\$55.76	Spelta John J&Claire Y
267 231 06 00	1.00	SFD	D	1.00	1.00	\$55.76	\$55.76	Lee Bryan&Carol
267 231 07 00	1.00	SFD	D	1.00	1.00	\$55.76	\$55.76	Nelson Robert L Jr&Rhea R
267 231 08 00	1.00	SFD	D	1.00	1.00	\$55.76	\$55.76	Segale Adam&Clemente Maria G
267 231 09 00	1.00	SFD	D	1.00	1.00	\$55.76	\$55.76	Escobedo Family Trust 06-18-15
267 231 10 01	1.00	SFD	D	1.00	1.00	\$55.76	\$55.76	Latourette Sherrie T 2009 Revocable Trust 09-11-09
267 231 10 02	1.00	SFD	D	1.00	1.00	\$55.76	\$55.76	Itakura Nobuyasu&Pham Mai Thi
267 231 11 01	1.00	SFD	D	1.00	1.00	\$55.76	\$55.76	Ding Victor&Chen Zoe Living Trust 05-02-15
267 231 11 02	1.00	SFD	D	1.00	1.00	\$55.76	\$55.76	Cooper Jack A
267 231 12 01	1.00	SFD	D	1.00	1.00	\$55.76	\$55.76	Shah Hardik A&Jhanjhri H
267 231 12 02	1.00	SFD	D	1.00	1.00	\$55.76	\$55.76	Challagulla Family Revocable Trust 10-25-19
267 231 13 01	1.00	SFD	D	1.00	1.00	\$55.76	\$55.76	Samaniego Living Trust 06-18-21
267 231 13 02	1.00	SFD	D	1.00	1.00	\$55.76	\$55.76	Becker Gregory F&Pamela J
267 231 14 01	1.00	SFD	D	1.00	1.00	\$55.76	\$55.76	Valluru Family Trust 09-15-21
267 231 14 02	1.00	SFD	D	1.00	1.00	\$55.76	\$55.76	Hakkakk Ali&Nawras
267 231 15 01	1.00	SFD	D	1.00	1.00	\$55.76	\$55.76	Hui&Chen Family Trust 01-26-17
267 231 15 02	1.00	SFD	D	1.00	1.00	\$55.76	\$55.76	Tushnim&Kiran Family Trust 04-27-22
267 231 16 01	1.00	SFD	D	1.00	1.00	\$55.76	\$55.76	Crotti Andrea&Kristen A C
267 231 16 02	1.00	SFD	D	1.00	1.00	\$55.76	\$55.76	Mahmoudi Salah&Caycedo Diana C
267 231 17 00	0.28	STR	D	0.00	0.00	\$55.76	\$0.00	Calatlantic Group Inc
267 231 18 00	1.00	SFD	D	1.00	1.00	\$55.76	\$55.76	Nace Harley John Jr
267 231 19 00	1.00	SFD	D	1.00	1.00	\$55.76	\$55.76	Ganz Andrew N
267 231 20 00	1.00	SFD	D	1.00	1.00	\$55.76	\$55.76	Srinivasan/Bhandarkar Living Trust 09-03-16
267 231 21 00	1.00	SFD	D	1.00	1.00	\$55.76	\$55.76	Young Family Trust 03-31-09
267 231 22 00	1.00	SFD	D	1.00	1.00	\$55.76	\$55.76	Astamendi Robert&Amber
267 231 23 00	1.00	SFD	D	1.00	1.00	\$55.76	\$55.76	Kumar Atin&Bhatnagar Meghna
267 231 24 00	1.00	SFD	D	1.00	1.00	\$55.76	\$55.76	Patrawala Family Trust 04-23-07
267 231 25 00	1.00	SFD	D	1.00	1.00	\$55.76	\$55.76	Palmer-Jeffery Richard A&Marie J
267 231 26 00	1.00	SFD	D	1.00	1.00	\$55.76	\$55.76	Coronel Edwin&Karoline
267 231 27 00	1.00	SFD	D	1.00	1.00	\$55.76	\$55.76	Pilon Family Trust 03-08-13
267 231 28 00	1.00	SFD	D	1.00	1.00	\$55.76	\$55.76	Kumar Family Revocable Living Trust 03-16-17
267 231 29 00	1.00	SFD	D	1.00	1.00	\$55.76	\$55.76	Reilly William P Iv&Hope D
267 231 30 00	1.00	SFD	D	1.00	1.00	\$55.76	\$55.76	Belter David A&Mary K
267 231 31 00	1.00	SFD	D	1.00	1.00	\$55.76	\$55.76	Neenan Jessica E
267 231 32 00	1.00	SFD	D	1.00	1.00	\$55.76	\$55.76	Sadagopan Family Trust 05-02-18
267 231 33 00	1.00	SFD	D	1.00	1.00	\$55.76	\$55.76	Le Thuy Dinh&Le-Pham Van Revocable Living Trust 08
267 231 34 00	1.00	SFD	D	1.00	1.00	\$55.76	\$55.76	Kerrin 2019 Trust 10-30-19
267 231 35 00	1.00	SFD	D	1.00	1.00	\$55.76	\$55.76	Puorro Gerard E Jr&Elizabeth T
267 231 36 00	1.00	SFD	D	1.00	1.00	\$55.76	\$55.76	Nguyen Huong Ngoc
267 231 37 00	1.00	SFD	D	1.00	1.00	\$55.76	\$55.76	Patibandla Family Trust 04-11-13
267 231 38 00	1.00	SFD	D	1.00	1.00	\$55.76	\$55.76	Mukherjee Aakash
267 231 39 00	1.00	SFD	D	1.00	1.00	\$55.76	\$55.76	Chang Su Hwau&Sami Y
267 231 40 00	1.00	SFD	D	1.00	1.00	\$55.76	\$55.76	Mcgibbons Jennifer M
267 231 41 00	1.00	SFD	D	1.00	1.00	\$55.76	\$55.76	Nabbi Family Trust 09-12-13
267 231 42 00	1.00	SFD	D	1.00	1.00	\$55.76	\$55.76	Tagulao Michael T
267 231 43 00	1.00	SFD	D	1.00	1.00	\$55.76	\$55.76	Massire Pajouhandeh Family Trust 01-21-21
267 231 44 00	1.00	SFD	D	1.00	1.00	\$55.76	\$55.76	Turner David W&Rosemary E
267 231 45 00	1.00	SFD	D	1.00	1.00	\$55.76	\$55.76	Jones Wilbur G&Galli-Tognota Vittoria
267 231 46 00	1.00	SFD	D	1.00	1.00	\$55.76	\$55.76	Zhang Matthew Heng&Shen Lina

EXHIBIT C - Assessment Roll (Fiscal Year 2024)

Black Mountain Ranch North Maintenance Assessment District

Parcel Number	Acres/ Units ⁽¹⁾	Land Use Code ⁽²⁾	Zone	Land Use Factor ⁽²⁾	Total EBUs	Unit Cost (\$/Ebu)	FY 2024 ⁽³⁾ Assessment	Owner Name
267 231 47 00	1.00	SFD	D	1.00	1.00	\$55.76	\$55.76	Smith Marnie Living Trust 12-05-18
267 231 48 00	1.00	SFD	D	1.00	1.00	\$55.76	\$55.76	Jagoliner Family Trust 11-12-15
267 231 49 00	1.00	SFD	D	1.00	1.00	\$55.76	\$55.76	Coffman Family Trust
267 231 50 00	1.00	SFD	D	1.00	1.00	\$55.76	\$55.76	Dao Thao
267 231 51 00	1.00	SFD	D	1.00	1.00	\$55.76	\$55.76	Wong Michael H&Lee Mimi A
267 231 52 00	1.00	SFD	D	1.00	1.00	\$55.76	\$55.76	Chae Daesuk&Park Christine
267 231 53 00	1.00	SFD	D	1.00	1.00	\$55.76	\$55.76	Kalantari Alireza&Abedi Razieh
267 231 54 00	0.02	OSP	D	0.00	0.00	\$55.76	\$0.00	Del Sur Community Assn
267 231 55 00	0.18	STR	D	0.00	0.00	\$55.76	\$0.00	Del Sur Community Assn
267 231 56 00	0.02	OSP	D	0.00	0.00	\$55.76	\$0.00	Del Sur Community Assn
267 231 57 00	0.97	PKU	D	0.50	0.49	\$55.76	\$27.04	Del Sur Community Association
267 232 01 00	1.00	SFD	D	1.00	1.00	\$55.76	\$55.76	Love 2019 Trust 05-09-19
267 232 02 00	1.00	SFD	D	1.00	1.00	\$55.76	\$55.76	Baik Sunghyun
267 232 03 00	1.00	SFD	D	1.00	1.00	\$55.76	\$55.76	Okeefe Thomas P Iii&Shalane
267 232 04 00	1.00	SFD	D	1.00	1.00	\$55.76	\$55.76	Hung Chao-Wei&Hsia Hung-Ching Living Trust 02-18-2
267 232 05 00	1.00	SFD	D	1.00	1.00	\$55.76	\$55.76	Dempster Joseph M&Erin B
267 232 06 00	1.00	SFD	D	1.00	1.00	\$55.76	\$55.76	Dennison Family 2003 Trust 06-26-03
267 232 07 00	1.00	SFD	D	1.00	1.00	\$55.76	\$55.76	Lin Weixing&Zheng Qiulan
267 232 08 00	1.00	SFD	D	1.00	1.00	\$55.76	\$55.76	Collins Daniel L&Sara E
267 232 09 00	1.00	SFD	D	1.00	1.00	\$55.76	\$55.76	Webber Del Sur Trust 10-05-17
267 232 10 00	1.00	SFD	D	1.00	1.00	\$55.76	\$55.76	Dastolfo 2022 Family Trust 07-18-22
267 232 11 00	1.00	SFD	D	1.00	1.00	\$55.76	\$55.76	Connelly Jeffry J Sr&Fabiana S
267 232 12 00	1.00	SFD	D	1.00	1.00	\$55.76	\$55.76	Arora Monica
267 232 13 00	1.00	SFD	D	1.00	1.00	\$55.76	\$55.76	Concord Living Trust 12-23-15
267 232 14 00	1.00	SFD	D	1.00	1.00	\$55.76	\$55.76	Perloff Family Trust 07-11-17
267 232 15 00	1.00	SFD	D	1.00	1.00	\$55.76	\$55.76	Shanmugam Uvaraj&Murugesan Pratheepa
267 232 16 00	1.00	SFD	D	1.00	1.00	\$55.76	\$55.76	Thompson Jeffrey L&Tahereh
267 232 17 00	1.00	SFD	D	1.00	1.00	\$55.76	\$55.76	Cressman William S&Juliana A
267 232 18 00	1.00	SFD	D	1.00	1.00	\$55.76	\$55.76	Liu Peiyu
267 232 19 00	1.00	SFD	D	1.00	1.00	\$55.76	\$55.76	Vartak Kalra Family Trust 09-28-16
267 232 20 00	1.00	SFD	D	1.00	1.00	\$55.76	\$55.76	Yu Ning
267 232 21 00	1.00	SFD	D	1.00	1.00	\$55.76	\$55.76	Maeda Yu G&Summer F
267 232 22 00	1.00	SFD	D	1.00	1.00	\$55.76	\$55.76	Federhart Shelley Trust 08-26-22
267 232 23 00	1.00	SFD	D	1.00	1.00	\$55.76	\$55.76	Vichare Chirag V&Minal C
267 232 24 00	1.00	SFD	D	1.00	1.00	\$55.76	\$55.76	Coleman Patrick J&Michelle M
267 232 25 00	1.00	SFD	D	1.00	1.00	\$55.76	\$55.76	Contreras Revocable Living Trust 10-30-20
267 232 26 00	1.00	SFD	D	1.00	1.00	\$55.76	\$55.76	Fonss Christian P Jr Trust 11-06-09
267 232 27 00	1.00	SFD	D	1.00	1.00	\$55.76	\$55.76	Kelsey Marvin L&Megumi
267 232 28 00	1.00	SFD	D	1.00	1.00	\$55.76	\$55.76	Payumo Elaine
267 232 29 00	1.00	SFD	D	1.00	1.00	\$55.76	\$55.76	Sooy Kevin A&Maria E
267 232 30 00	1.00	SFD	D	1.00	1.00	\$55.76	\$55.76	Giampaoli Family Trust 09-01-16
267 232 31 00	1.00	SFD	D	1.00	1.00	\$55.76	\$55.76	Johnson Lisa
267 232 32 00	1.00	SFD	D	1.00	1.00	\$55.76	\$55.76	Barrera Marcos A&Kirsten J Revocable Trust 11-17-1
267 232 33 00	1.00	SFD	D	1.00	1.00	\$55.76	\$55.76	Rachoti Rajkumar
267 232 34 00	1.00	SFD	D	1.00	1.00	\$55.76	\$55.76	Mogul Homyar C&Pervin
267 232 35 00	1.00	SFD	D	1.00	1.00	\$55.76	\$55.76	Chiguluri Rajendra P&Jampala Navya Y R
267 232 36 00	1.00	SFD	D	1.00	1.00	\$55.76	\$55.76	Verastegui Edgar&Canales Carolina
267 232 37 00	1.00	SFD	D	1.00	1.00	\$55.76	\$55.76	Aroonlap Paiboon&Juthamas T
267 232 38 00	1.00	SFD	D	1.00	1.00	\$55.76	\$55.76	Faulk Maria C
267 232 39 00	1.00	SFD	D	1.00	1.00	\$55.76	\$55.76	Lorenzen Jonathan&Kari
267 232 40 00	1.00	SFD	D	1.00	1.00	\$55.76	\$55.76	Das Kuldeep&Swagata B
267 232 41 00	1.00	SFD	D	1.00	1.00	\$55.76	\$55.76	Dennison Family 2003 Trust 06-26-03
267 232 42 00	1.00	SFD	D	1.00	1.00	\$55.76	\$55.76	Pedder David A&Elisabeth
267 232 43 00	1.00	SFD	D	1.00	1.00	\$55.76	\$55.76	Michtchenko Rouslan V&Dmitrieva Olga K
267 232 44 00	1.00	SFD	D	1.00	1.00	\$55.76	\$55.76	Lennick Nariman Family Trust 06-28-19
267 232 45 00	1.00	SFD	D	1.00	1.00	\$55.76	\$55.76	Singer Robert L Jr&Amy N 2016 Revocable Trust 01-1
267 232 46 00	1.00	SFD	D	1.00	1.00	\$55.76	\$55.76	Cheng Wei&Wang Wei
267 232 47 00	1.00	SFD	D	1.00	1.00	\$55.76	\$55.76	Murphy Thomas&Patricia Trust 12-03-01
267 232 48 00	1.00	SFD	D	1.00	1.00	\$55.76	\$55.76	Walch Keenan I M&Lage Stephanie L

EXHIBIT C - Assessment Roll (Fiscal Year 2024)

Black Mountain Ranch North Maintenance Assessment District

Parcel Number	Acres/ Units ⁽¹⁾	Land Use Code ⁽²⁾	Zone	Land Use Factor ⁽²⁾	Total EBU's	Unit Cost (\$/EBU)	FY 2024 ⁽³⁾ Assessment	Owner Name
267 232 49 00	1.00	SFD	D	1.00	1.00	\$55.76	\$55.76	Prada Brian G
267 232 50 00	1.00	SFD	D	1.00	1.00	\$55.76	\$55.76	Bahmanyar Family Trust 10-21-02
267 232 51 00	1.00	SFD	D	1.00	1.00	\$55.76	\$55.76	Shetty Dheeraj&Nagabhushan Shruthi
267 232 52 00	1.00	SFD	D	1.00	1.00	\$55.76	\$55.76	Ladow Kenneth G&Britney C
267 232 53 00	1.00	SFD	D	1.00	1.00	\$55.76	\$55.76	Siler Joshua&David Krystal L
267 232 54 00	1.00	SFD	D	1.00	1.00	\$55.76	\$55.76	Desai Shatish&Gita
267 232 55 00	1.00	SFD	D	1.00	1.00	\$55.76	\$55.76	Fontes Kellie A
267 232 56 00	1.00	SFD	D	1.00	1.00	\$55.76	\$55.76	Cheng Wesley
267 232 57 00	1.00	SFD	D	1.00	1.00	\$55.76	\$55.76	Khurana Varun&Atica
267 232 58 00	1.00	SFD	D	1.00	1.00	\$55.76	\$55.76	Hamatanga Siphon Fred&Petrina M
267 232 59 00	1.00	SFD	D	1.00	1.00	\$55.76	\$55.76	Montan Aaron M&Kristen N
267 232 60 00	1.00	SFD	D	1.00	1.00	\$55.76	\$55.76	Shah Tejash&Sethia Nisha
267 232 61 00	1.00	SFD	D	1.00	1.00	\$55.76	\$55.76	Tatipalli Venkata R&Akneppally Swetha
267 232 62 00	1.00	SFD	D	1.00	1.00	\$55.76	\$55.76	Ouk Family Trust 07-18-18
267 232 63 00	1.00	SFD	D	1.00	1.00	\$55.76	\$55.76	Kern Family Trust 03-19-18
267 232 64 00	1.00	SFD	D	1.00	1.00	\$55.76	\$55.76	Velasco Joseph R&Hershey F
267 232 65 00	1.00	SFD	D	1.00	1.00	\$55.76	\$55.76	Ramkumar Vasanth K&Vandhana Smruthi
267 232 66 00	1.00	SFD	D	1.00	1.00	\$55.76	\$55.76	Efe Baris&Neslihan
267 232 67 00	1.00	SFD	D	1.00	1.00	\$55.76	\$55.76	Chou Weilin&Chi Annie
267 232 68 00	1.00	SFD	D	1.00	1.00	\$55.76	\$55.76	Shen Zancong&Yao Hongtao
267 232 69 00	1.00	SFD	D	1.00	1.00	\$55.76	\$55.76	White Kristopher&Jennifer Family Trust 03-18-22
267 232 70 00	1.00	SFD	D	1.00	1.00	\$55.76	\$55.76	Loy Garrett T&Mary P
267 232 71 00	1.00	SFD	D	1.00	1.00	\$55.76	\$55.76	Collins Michael L&Jessica A
267 232 72 00	1.00	SFD	D	1.00	1.00	\$55.76	\$55.76	Rubino Family Trust 08-29-18
267 232 73 00	1.00	SFD	D	1.00	1.00	\$55.76	\$55.76	Allen Anthony L
267 232 74 00	1.00	SFD	D	1.00	1.00	\$55.76	\$55.76	Cleveland Amy K
267 232 75 00	1.00	SFD	D	1.00	1.00	\$55.76	\$55.76	Purdie Bruce C
267 232 76 00	1.00	SFD	D	1.00	1.00	\$55.76	\$55.76	Canchi Venkatesh&Kavitha
267 232 77 00	1.00	SFD	D	1.00	1.00	\$55.76	\$55.76	Ou Victor&Maria L
267 232 78 00	1.00	SFD	D	1.00	1.00	\$55.76	\$55.76	Byres David B&Toshie I
267 232 79 00	1.00	SFD	D	1.00	1.00	\$55.76	\$55.76	Oconnor Randa Trust 01-25-17
267 232 80 00	1.00	SFD	D	1.00	1.00	\$55.76	\$55.76	Three Little Birds Family Trust 10-21-16
267 232 81 00	1.00	SFD	D	1.00	1.00	\$55.76	\$55.76	Gangapuram Family Trust 05-04-22
267 232 82 00	1.00	SFD	D	1.00	1.00	\$55.76	\$55.76	Reddy Kishori
267 232 83 00	1.00	SFD	D	1.00	1.00	\$55.76	\$55.76	Juenger Family 2015 Trust 05-28-15
267 232 84 00	1.00	SFD	D	1.00	1.00	\$55.76	\$55.76	Nannaka Anurag&Atluri Spoorthy
267 232 85 00	0.23	STR	D	0.00	0.00	\$55.76	\$0.00	Del Sur Community Assn
267 232 86 00	0.24	STR	D	0.00	0.00	\$55.76	\$0.00	Black Mountain Ranch L L C
267 232 87 00	0.07	STR	D	0.00	0.00	\$55.76	\$0.00	Del Sur Community Assn
267 232 88 00	0.07	STR	D	0.00	0.00	\$55.76	\$0.00	Del Sur Community Assn
267 232 89 00	0.34	STR	D	0.00	0.00	\$55.76	\$0.00	Black Mountain Ranch L L C
267 232 90 00	0.69	OSP	D	0.00	0.00	\$55.76	\$0.00	Black Mountain Ranch L L C
267 232 91 00	0.29	OSP	D	0.00	0.00	\$55.76	\$0.00	Black Mountain Ranch L L C
267 240 01 00	1.00	SFD	D	1.00	1.00	\$55.76	\$55.76	Sommers William T&Sarah B
267 240 02 00	1.00	SFD	D	1.00	1.00	\$55.76	\$55.76	Miller Blake D&Jeryl A Revocable Trust 04-12-99
267 240 03 00	1.00	SFD	D	1.00	1.00	\$55.76	\$55.76	Sun Huikai&Xu Guangting
267 240 04 00	1.00	SFD	D	1.00	1.00	\$55.76	\$55.76	Nguyen Hoang T&Bichvan T
267 240 05 00	1.00	SFD	D	1.00	1.00	\$55.76	\$55.76	Mallard Barrett Family Revocable Trust 01-12-15
267 240 06 00	1.00	SFD	D	1.00	1.00	\$55.76	\$55.76	Pham Megan
267 240 07 00	1.00	SFD	D	1.00	1.00	\$55.76	\$55.76	Covell Gretchen E S
267 240 08 00	1.00	SFD	D	1.00	1.00	\$55.76	\$55.76	Valle Vincent R&Guthrie Heather D
267 240 09 00	1.00	SFD	D	1.00	1.00	\$55.76	\$55.76	Rhoades Jason
267 240 10 00	1.00	SFD	D	1.00	1.00	\$55.76	\$55.76	Garceau Gregory S&Jennifer A
267 240 11 00	1.00	SFD	D	1.00	1.00	\$55.76	\$55.76	Moran Christian M&Christina D
267 240 12 00	1.00	SFD	D	1.00	1.00	\$55.76	\$55.76	Singer Living Trust 02-15-94
267 240 13 00	1.00	SFD	D	1.00	1.00	\$55.76	\$55.76	R C-D M D Trust 07-31-2020
267 240 14 00	1.00	SFD	D	1.00	1.00	\$55.76	\$55.76	Segal Alexander&Dina B 2017 Revocable Trust 05-05-
267 240 15 00	1.00	SFD	D	1.00	1.00	\$55.76	\$55.76	Kulkarni Ganesh A
267 240 16 00	1.00	SFD	D	1.00	1.00	\$55.76	\$55.76	Feist Raymond E

EXHIBIT C - Assessment Roll (Fiscal Year 2024)

Black Mountain Ranch North Maintenance Assessment District

Parcel Number	Acres/ Units ⁽¹⁾	Land Use Code ⁽²⁾	Zone	Land Use Factor ⁽²⁾	Total EBU's	Unit Cost (\$/EBU)	FY 2024 ⁽³⁾ Assessment	Owner Name
267 240 17 00	1.00	SFD	D	1.00	1.00	\$55.76	\$55.76	Thadani Tarun&Aashie Family Trust 07-21-22
267 240 18 00	1.00	SFD	D	1.00	1.00	\$55.76	\$55.76	Smith Franklin Dean&Catherine Ann Preciso
267 240 19 00	1.00	SFD	D	1.00	1.00	\$55.76	\$55.76	Pham Khai&Truong Tram Q
267 240 20 00	1.00	SFD	D	1.00	1.00	\$55.76	\$55.76	Wang Zebin&Zhao Chang
267 240 21 00	1.00	SFD	D	1.00	1.00	\$55.76	\$55.76	Park Sungjoon&Yoo Hyun Mi
267 240 22 00	1.00	SFD	D	1.00	1.00	\$55.76	\$55.76	Labsan Nelson G
267 240 23 00	1.00	SFD	D	1.00	1.00	\$55.76	\$55.76	Trowler Philip&Elizabeth
267 240 24 00	1.00	SFD	D	1.00	1.00	\$55.76	\$55.76	Borst Family Trust 12-10-13
267 240 25 00	1.00	SFD	D	1.00	1.00	\$55.76	\$55.76	Mccrary Ryan P&Dana S
267 240 26 00	1.00	SFD	D	1.00	1.00	\$55.76	\$55.76	Bustamante Living Trust 08-26-11
267 240 27 00	1.00	SFD	D	1.00	1.00	\$55.76	\$55.76	Kloberdanz James E&Danielle Y 2009 Trust 05-19-09
267 240 28 00	1.00	SFD	D	1.00	1.00	\$55.76	\$55.76	Sheils Brigitte P
267 240 29 00	1.00	SFD	D	1.00	1.00	\$55.76	\$55.76	Hawkins Trust 06-04-21
267 240 30 00	1.00	SFD	D	1.00	1.00	\$55.76	\$55.76	Nagaraj Sundaram K&Kaushik Aparna S <Aka Prabhakar
267 240 31 00	1.00	SFD	D	1.00	1.00	\$55.76	\$55.76	Ross Chad
267 240 32 00	1.00	SFD	D	1.00	1.00	\$55.76	\$55.76	Shrivastava Ashutosh&Singh Preeti
267 240 33 00	1.00	SFD	D	1.00	1.00	\$55.76	\$55.76	Eleazar Family Trust 12-22-17
267 240 34 00	1.00	SFD	D	1.00	1.00	\$55.76	\$55.76	Varma Pramod K&Deepika
267 240 35 00	1.00	SFD	D	1.00	1.00	\$55.76	\$55.76	Vondyl Trust 02-11-04
267 240 36 00	1.00	SFD	D	1.00	1.00	\$55.76	\$55.76	Chinnathampi Jesudas&Selvaraj Agnes M
267 240 37 00	1.00	SFD	D	1.00	1.00	\$55.76	\$55.76	Cheng Wei&Wang Wei
267 240 38 00	1.00	SFD	D	1.00	1.00	\$55.76	\$55.76	Hsu Cathy 2003 Trust 06-26-03
267 240 39 00	1.00	SFD	D	1.00	1.00	\$55.76	\$55.76	Hartung Nicole A&Robert M
267 240 40 00	1.00	SFD	D	1.00	1.00	\$55.76	\$55.76	Drukin Vladimir&Yana
267 240 41 00	1.00	SFD	D	1.00	1.00	\$55.76	\$55.76	Armstrong Shayne M&Kelly A
267 240 42 00	0.20	STR	D	0.00	0.00	\$55.76	\$0.00	Del Sur Community Assn
267 240 43 00	0.20	STR	D	0.00	0.00	\$55.76	\$0.00	Del Sur Community Assn
267 240 44 00	0.14	STR	D	0.00	0.00	\$55.76	\$0.00	Del Sur Community Assn
267 241 01 00	1.00	SFD	D	1.00	1.00	\$55.76	\$55.76	Ahani Kaveh&Anna G
267 241 02 00	1.00	SFD	D	1.00	1.00	\$55.76	\$55.76	Aquino Mona V G
267 241 03 00	1.00	SFD	D	1.00	1.00	\$55.76	\$55.76	White R Living Trust 04-12-17
267 241 04 00	1.00	SFD	D	1.00	1.00	\$55.76	\$55.76	Fullerton Timothy D&Szonn Sabine C
267 241 05 00	1.00	SFD	D	1.00	1.00	\$55.76	\$55.76	Arora Mohit&Tewani Vandana
267 241 06 00	1.00	SFD	D	1.00	1.00	\$55.76	\$55.76	Mosaad Moheb F&Linda F
267 241 07 00	1.00	SFD	D	1.00	1.00	\$55.76	\$55.76	Teresso Michael R Jr
267 241 08 00	1.00	SFD	D	1.00	1.00	\$55.76	\$55.76	Pick Nathan P
267 241 09 00	1.00	SFD	D	1.00	1.00	\$55.76	\$55.76	Rowbottom Moorjani Trust 08-08-11
267 241 10 00	1.00	SFD	D	1.00	1.00	\$55.76	\$55.76	Canpolat Onur&Bengucan
267 241 11 00	1.00	SFD	D	1.00	1.00	\$55.76	\$55.76	Shan Min&Deng Tao
267 241 12 00	1.00	SFD	D	1.00	1.00	\$55.76	\$55.76	Callaghan Patrick&Veronica
267 241 13 00	1.00	SFD	D	1.00	1.00	\$55.76	\$55.76	Kotob Maya Trust 06-04-21
267 241 14 00	1.00	SFD	D	1.00	1.00	\$55.76	\$55.76	Mason&Zhou Properties Llc
267 241 15 00	1.00	SFD	D	1.00	1.00	\$55.76	\$55.76	Vaddula Ramakoti&Rajitha
267 241 16 00	1.00	SFD	D	1.00	1.00	\$55.76	\$55.76	Cattapan Marc&Lejcher Lynn
267 241 17 00	1.00	SFD	D	1.00	1.00	\$55.76	\$55.76	Andersen Lars N&Katalin E
267 241 18 00	1.00	SFD	D	1.00	1.00	\$55.76	\$55.76	Domingo Family Trust 12-05-05
267 241 19 00	1.00	SFD	D	1.00	1.00	\$55.76	\$55.76	Bansal Mukund&Gupta Veni
267 241 20 00	1.00	SFD	D	1.00	1.00	\$55.76	\$55.76	Johnson Jerilyn Delia
267 241 21 00	1.00	SFD	D	1.00	1.00	\$55.76	\$55.76	Culligan Joseph P&Kimberly A
267 241 22 00	1.00	SFD	D	1.00	1.00	\$55.76	\$55.76	Vuong Nicholas L
267 241 23 00	1.00	SFD	D	1.00	1.00	\$55.76	\$55.76	Hallock Samuel H&Wasserman-Hallock Lindsay C
267 241 24 00	1.00	SFD	D	1.00	1.00	\$55.76	\$55.76	Aoshima 2010 Revocable Living Trust 08-09-10
267 241 25 00	1.00	SFD	D	1.00	1.00	\$55.76	\$55.76	Shelton Jeffrey S&Quan Uyen Ngoc
267 241 26 00	1.00	SFD	D	1.00	1.00	\$55.76	\$55.76	Kim Lae-Hoon&Lee Su Na
267 241 27 00	1.00	SFD	D	1.00	1.00	\$55.76	\$55.76	Ramos Tryna M Revocable Trust 11-17-06
267 241 28 00	1.00	SFD	D	1.00	1.00	\$55.76	\$55.76	Hughes Ryan A&Jill M
267 241 29 00	1.00	SFD	D	1.00	1.00	\$55.76	\$55.76	Yee Brian M&Holly A
267 241 30 00	1.00	SFD	D	1.00	1.00	\$55.76	\$55.76	Heising Paige
267 241 31 00	1.00	SFD	D	1.00	1.00	\$55.76	\$55.76	Kaplan Cindy S Living 2013 Trust 05-30-13

EXHIBIT C - Assessment Roll (Fiscal Year 2024)

Black Mountain Ranch North Maintenance Assessment District

Parcel Number	Acres/ Units ⁽¹⁾	Land Use Code ⁽²⁾	Zone	Land Use Factor ⁽²⁾	Total EBUs	Unit Cost (\$/Ebu)	FY 2024 ⁽³⁾ Assessment	Owner Name
267 241 32 00	1.00	SFD	D	1.00	1.00	\$55.76	\$55.76	Gouvis Peter&Heather
267 241 33 00	1.00	SFD	D	1.00	1.00	\$55.76	\$55.76	Jerris Mary L Living Trust 09-01-16
267 241 34 00	1.00	SFD	D	1.00	1.00	\$55.76	\$55.76	Hewitt F&J Family Trust 11-21-90
267 241 35 00	1.00	SFD	D	1.00	1.00	\$55.76	\$55.76	A K S O F I H C Revocable Trust 02-10-12
267 241 36 00	1.00	SFD	D	1.00	1.00	\$55.76	\$55.76	Chen Ricky Z
267 241 37 00	1.00	SFD	D	1.00	1.00	\$55.76	\$55.76	Hazlehurst Family Trust 12-28-17
267 241 38 00	1.00	SFD	D	1.00	1.00	\$55.76	\$55.76	Edrosolo Arnie J G&Rachel A F
267 241 39 00	1.00	SFD	D	1.00	1.00	\$55.76	\$55.76	Patel Kunjan&Megha
267 241 40 00	1.00	SFD	D	1.00	1.00	\$55.76	\$55.76	Xu Zhemini&Yang Yiran
267 241 41 00	1.00	SFD	D	1.00	1.00	\$55.76	\$55.76	Cho Jin Wook&Jeon Hye Won
267 241 42 00	0.17	STR	D	0.00	0.00	\$55.76	\$0.00	Del Sur Community Association
267 241 43 00	0.26	STR	D	0.00	0.00	\$55.76	\$0.00	Del Sur Community Association
267 241 44 00	0.20	STR	D	0.00	0.00	\$55.76	\$0.00	Shea Homes Limited Partnership
267 250 01 00	1.00	SFD	D	1.00	1.00	\$55.76	\$55.76	Jaleel Gassan&Deeb Ranya M Family Trust 11-08-07
267 250 02 00	1.00	SFD	D	1.00	1.00	\$55.76	\$55.76	Stover Family Trust 04-03-18
267 250 03 00	1.00	SFD	D	1.00	1.00	\$55.76	\$55.76	Deitch Amy&Michael Living Trust 05-10-22
267 250 04 00	1.00	SFD	D	1.00	1.00	\$55.76	\$55.76	Orosa Dennis R&Marie G
267 250 05 00	1.00	SFD	D	1.00	1.00	\$55.76	\$55.76	Niemela Jari&Allen Carolyn J
267 250 06 00	1.00	SFD	D	1.00	1.00	\$55.76	\$55.76	Dai Wenrui&Ding Yi
267 250 07 00	1.00	SFD	D	1.00	1.00	\$55.76	\$55.76	Penning Benjamin L&Cindy A
267 250 08 00	1.00	SFD	D	1.00	1.00	\$55.76	\$55.76	Park Sangbin&Lee Jiwon
267 250 09 00	1.00	SFD	D	1.00	1.00	\$55.76	\$55.76	Denobile Jennifer T Living Trust 07-15-20
267 250 10 00	1.00	SFD	D	1.00	1.00	\$55.76	\$55.76	Khawaja Amir&Hamid Joveria
267 250 11 00	1.00	SFD	D	1.00	1.00	\$55.76	\$55.76	Rigg Aaron W&Kathleen M
267 250 12 00	1.00	SFD	D	1.00	1.00	\$55.76	\$55.76	Calacsan Simeon V Jr&Cynthia S
267 250 13 00	1.00	SFD	D	1.00	1.00	\$55.76	\$55.76	Perry Michael A Jr&Jamie R
267 250 14 00	1.00	SFD	D	1.00	1.00	\$55.76	\$55.76	Wilkes Philippa Separate Property Trust 02-03-17
267 250 15 00	1.00	SFD	D	1.00	1.00	\$55.76	\$55.76	Werner Jared P&Renee A
267 250 16 00	1.00	SFD	D	1.00	1.00	\$55.76	\$55.76	Chen Shou-Hsien&Wang Hsiao-Hsuan
267 250 17 00	1.00	SFD	D	1.00	1.00	\$55.76	\$55.76	Wirtz Brian D&Alison B
267 250 18 00	1.00	SFD	D	1.00	1.00	\$55.76	\$55.76	Gray Charles L Jr&Judy A
267 250 19 00	1.00	SFD	D	1.00	1.00	\$55.76	\$55.76	Chinn Family Trust 08-08-18
267 250 20 00	1.00	SFD	D	1.00	1.00	\$55.76	\$55.76	Sinhalage Marcus&Chandradasa Uhanovitage T
267 250 21 00	1.00	SFD	D	1.00	1.00	\$55.76	\$55.76	Hasbrook Family Trust 09-12-22
267 250 22 00	1.00	SFD	D	1.00	1.00	\$55.76	\$55.76	Riley Michael&Heather 08-18-17
267 250 23 00	1.00	SFD	D	1.00	1.00	\$55.76	\$55.76	Sanders Sean H&Christina A
267 250 24 00	1.00	SFD	D	1.00	1.00	\$55.76	\$55.76	Smith Family Trust 05-06-19
267 250 25 00	1.00	SFD	D	1.00	1.00	\$55.76	\$55.76	Riggins Family Trust 04-09-09
267 250 26 00	1.00	SFD	D	1.00	1.00	\$55.76	\$55.76	Chung Hyukjune&Hwang Jungshim
267 250 27 00	1.00	SFD	D	1.00	1.00	\$55.76	\$55.76	Kluch Arthur J&Elisabeth J J
267 250 28 00	1.00	SFD	D	1.00	1.00	\$55.76	\$55.76	Li Xue
267 250 29 00	1.00	SFD	D	1.00	1.00	\$55.76	\$55.76	Aspion Norman M&Victoria S
267 250 30 00	0.02	OSP	D	0.00	0.00	\$55.76	\$0.00	Delsur Community Association
267 250 31 00	1.55	PKU	D	0.50	0.78	\$55.76	\$43.20	Del Sur Community Assn
267 270 08 00	204.00	MFR	F	0.70	142.80	\$12.48	\$1,782.14	C I C Fairbanks L P
267 270 10 00	3.77	OSP	G	0.00	0.00	\$14.92	\$0.00	Black Mountain Ranch L L C
267 270 10 00	6.33	OSP	F	0.00	0.00	\$12.48	\$0.00	Black Mountain Ranch L L C
267 270 11 00	1.50	UTL	A	3.00	4.50	\$4.48	\$20.16	San Diego Gas&Electric Co
267 270 12 00	1.20	UTL	A	3.00	3.60	\$4.48	\$16.12	San Diego Gas&Electric Co
267 270 13 00	1.50	STR	A	0.00	0.00	\$4.48	\$0.00	Black Mountain Ranch L L C
267 280 01 00	1.00	SFD	D	1.00	1.00	\$55.76	\$55.76	Schaller A&J Family Trust 12-06-13
267 280 02 00	1.00	SFD	D	1.00	1.00	\$55.76	\$55.76	Brand Beau S&Lucia S
267 280 03 00	1.00	SFD	D	1.00	1.00	\$55.76	\$55.76	Vu Peter&Nguyen Eve
267 280 04 00	1.00	SFD	D	1.00	1.00	\$55.76	\$55.76	Gagne Gary R&Ramos Blanca S
267 280 05 00	1.00	SFD	D	1.00	1.00	\$55.76	\$55.76	J J S C L M Revocable Trust 02-22-08
267 280 06 00	1.00	SFD	D	1.00	1.00	\$55.76	\$55.76	Naval Joseph N&Gonzales-Naval Laarni E
267 280 07 00	1.00	SFD	D	1.00	1.00	\$55.76	\$55.76	Walden Carrie
267 280 08 00	1.00	SFD	D	1.00	1.00	\$55.76	\$55.76	Benavidez Arturo&Adela
267 280 09 00	1.00	SFD	D	1.00	1.00	\$55.76	\$55.76	Loucks Family Trust 06-24-98

EXHIBIT C - Assessment Roll (Fiscal Year 2024)

Black Mountain Ranch North Maintenance Assessment District

Parcel Number	Acres/ Units ⁽¹⁾	Land Use Code ⁽²⁾	Zone	Land Use Factor ⁽²⁾	Total EBUs	Unit Cost (\$/Ebu)	FY 2024 ⁽³⁾ Assessment	Owner Name
267 280 10 00	1.00	SFD	D	1.00	1.00	\$55.76	\$55.76	Homolac Steven J&Gordon Carolyn L
267 280 11 00	1.00	SFD	D	1.00	1.00	\$55.76	\$55.76	Villanueva Lily M C
267 280 12 00	1.00	SFD	D	1.00	1.00	\$55.76	\$55.76	Lapine Ryan&Samantha
267 280 13 00	1.00	SFD	D	1.00	1.00	\$55.76	\$55.76	Vaplon Craig M&Leah M
267 280 14 00	1.00	SFD	D	1.00	1.00	\$55.76	\$55.76	Pahwa Ravneet S&Kaur Fnu A
267 280 15 00	1.00	SFD	D	1.00	1.00	\$55.76	\$55.76	Markowicz-Sinopoli Trust 12-16-09
267 280 16 00	1.00	SFD	D	1.00	1.00	\$55.76	\$55.76	Miller Living Trust 12-18-07
267 280 17 00	1.00	SFD	D	1.00	1.00	\$55.76	\$55.76	Peace James C&Heidi A
267 280 18 00	1.00	SFD	D	1.00	1.00	\$55.76	\$55.76	Alahmad Mohamad&Saleh Rhonda
267 280 19 00	1.00	SFD	D	1.00	1.00	\$55.76	\$55.76	Parathasarathy Muralikrishnan&Muralikrishnan Sweat
267 280 20 00	1.00	SFD	D	1.00	1.00	\$55.76	\$55.76	Shumate Craig&Jaime
267 280 21 00	1.00	SFD	D	1.00	1.00	\$55.76	\$55.76	Katti Mahidhar M&Jyothi M
267 280 22 00	1.00	SFD	D	1.00	1.00	\$55.76	\$55.76	Kaileh Tanya R 2014 Trust
267 280 23 00	1.00	SFD	D	1.00	1.00	\$55.76	\$55.76	Valero Eric D&Eileen L
267 280 24 00	1.00	SFD	D	1.00	1.00	\$55.76	\$55.76	Banaga Romulo E&Marita
267 280 25 00	1.00	SFD	D	1.00	1.00	\$55.76	\$55.76	Dorfman Family Trust 08-11-09
267 280 26 00	1.00	SFD	D	1.00	1.00	\$55.76	\$55.76	Llamas Richard D&Janet S
267 280 27 00	1.00	SFD	D	1.00	1.00	\$55.76	\$55.76	Shah Harsh&Aabha
267 280 28 00	1.00	SFD	D	1.00	1.00	\$55.76	\$55.76	Slavin Revocable Family Trust 03-06-10
267 280 29 00	1.00	SFD	D	1.00	1.00	\$55.76	\$55.76	Petray James C&Andrea L
267 280 30 00	1.00	SFD	D	1.00	1.00	\$55.76	\$55.76	Gonzales Pelagio B&Lorna E
267 280 31 00	1.00	SFD	D	1.00	1.00	\$55.76	\$55.76	Camalang Jonathan T&Lisa E
267 280 32 00	0.19	STR	D	0.00	0.00	\$55.76	\$0.00	Del Sur Community Assn
267 281 01 00	1.00	SFD	D	1.00	1.00	\$55.76	\$55.76	Atkinson Matthew&Julia S
267 281 02 00	1.00	SFD	D	1.00	1.00	\$55.76	\$55.76	Feldman James A&Leslie M
267 281 03 00	1.00	SFD	D	1.00	1.00	\$55.76	\$55.76	Cheng Meishan&Cindy Jingwen
267 281 04 00	1.00	SFD	D	1.00	1.00	\$55.76	\$55.76	Morcos Peter N&Christina M
267 281 05 00	1.00	SFD	D	1.00	1.00	\$55.76	\$55.76	Campbell Family Revocable Trust 09-29-15
267 281 06 00	1.00	SFD	D	1.00	1.00	\$55.76	\$55.76	Petersen R J&Yasmine A
267 281 07 00	1.00	SFD	D	1.00	1.00	\$55.76	\$55.76	Vansegbroeck Maarten&Ramos Erika
267 281 08 00	1.00	SFD	D	1.00	1.00	\$55.76	\$55.76	Borgardt Brandon S&Elizabeth A
267 281 09 00	1.00	SFD	D	1.00	1.00	\$55.76	\$55.76	Bach Binh T&Tran Kristin H
267 281 10 00	1.00	SFD	D	1.00	1.00	\$55.76	\$55.76	Bustos Jeffrey B&Lajoie Andrea
267 281 11 00	1.00	SFD	D	1.00	1.00	\$55.76	\$55.76	Totten Casey&Nydram Alexandra
267 281 12 00	1.00	SFD	D	1.00	1.00	\$55.76	\$55.76	Cherry Douglas&Reynolds Janine
267 281 13 00	1.00	SFD	D	1.00	1.00	\$55.76	\$55.76	Movva Tejoram&Natasha
267 281 14 00	1.00	SFD	D	1.00	1.00	\$55.76	\$55.76	Patil Aniket&Ashwini
267 281 15 00	1.00	SFD	D	1.00	1.00	\$55.76	\$55.76	Jose Catherine F
267 281 16 00	1.00	SFD	D	1.00	1.00	\$55.76	\$55.76	Garrett Matthew J&Daravanh
267 281 17 00	1.00	SFD	D	1.00	1.00	\$55.76	\$55.76	Bhalla Anurag&Shuchi
267 281 18 00	1.00	SFD	D	1.00	1.00	\$55.76	\$55.76	Kumar Raj
267 281 19 00	1.00	SFD	D	1.00	1.00	\$55.76	\$55.76	Glaser Thomas&Diana
267 281 20 00	1.00	SFD	D	1.00	1.00	\$55.76	\$55.76	Johnson Family Trust 09-01-05
267 281 21 00	1.00	SFD	D	1.00	1.00	\$55.76	\$55.76	Sosnicki Andy&Elizabeth
267 281 22 00	1.00	SFD	D	1.00	1.00	\$55.76	\$55.76	Sullaway Britta Family Trust
267 281 23 00	1.00	SFD	D	1.00	1.00	\$55.76	\$55.76	Soble Gary A&Jessica R 1998 Revocable Trust 08-10-
267 281 24 00	1.00	SFD	D	1.00	1.00	\$55.76	\$55.76	Ihrig Family Trust 06-23-21
267 281 25 00	1.00	SFD	D	1.00	1.00	\$55.76	\$55.76	Barry Douglas B&Amanda E Family Trust 06-08-17
267 281 26 00	1.00	SFD	D	1.00	1.00	\$55.76	\$55.76	Vandeberg Jerry S&Deborah R Revocable Trust 11-18-
267 281 27 00	1.00	SFD	D	1.00	1.00	\$55.76	\$55.76	Bagley Dean A&Margaret J 1998 Marital Deduction Tr
267 281 28 00	1.00	SFD	D	1.00	1.00	\$55.76	\$55.76	Packer Michael G&Lynda E
267 281 29 00	1.00	SFD	D	1.00	1.00	\$55.76	\$55.76	Choy Martin&Julie
267 281 30 00	1.00	SFD	D	1.00	1.00	\$55.76	\$55.76	Falkenstrom James M&Stirling Adrienne L
267 281 31 00	1.00	SFD	D	1.00	1.00	\$55.76	\$55.76	Hime Jean R Lam Wing&Mrozek Lisa A
267 281 32 00	1.00	SFD	D	1.00	1.00	\$55.76	\$55.76	Costa Family Trust 09-29-99
267 281 33 00	1.00	SFD	D	1.00	1.00	\$55.76	\$55.76	Griffin Christian T&Dominique M
267 281 34 00	1.00	SFD	D	1.00	1.00	\$55.76	\$55.76	Marcus Family Trust 08-03-22
267 281 35 00	1.00	SFD	D	1.00	1.00	\$55.76	\$55.76	Chung Kyusik&Kim Jihee
267 281 36 00	1.00	SFD	D	1.00	1.00	\$55.76	\$55.76	Avaregan Ashley A&Ruslana

EXHIBIT C - Assessment Roll (Fiscal Year 2024)

Black Mountain Ranch North Maintenance Assessment District

Parcel Number	Acres/ Units ⁽¹⁾	Land Use Code ⁽²⁾	Zone	Land Use Factor ⁽²⁾	Total EBUs	Unit Cost (\$/Ebu)	FY 2024 ⁽³⁾ Assessment	Owner Name
267 281 37 00	1.00	SFD	D	1.00	1.00	\$55.76	\$55.76	Chan Howard&Elizabeth D G Family 2014 Trust
267 281 38 00	0.22	STR	D	0.00	0.00	\$55.76	\$0.00	Del Sur Community Assn
267 281 39 00	0.06	STR	D	0.00	0.00	\$55.76	\$0.00	Del Sur Community Association
267 281 40 00	0.06	STR	D	0.00	0.00	\$55.76	\$0.00	Del Sur Community Association
267 281 41 00	1.45	PKU	D	0.50	0.73	\$55.76	\$40.42	Del Sur Community Assn
267 290 01 00	1.00	SFD	D	1.00	1.00	\$55.76	\$55.76	Brown Frederick Howard Iii&Amanda Morris
267 290 02 00	1.00	SFD	D	1.00	1.00	\$55.76	\$55.76	Rosenfeld J&I Trust 01-07-20
267 290 03 00	1.00	SFD	D	1.00	1.00	\$55.76	\$55.76	Kihara James K&Christian M
267 290 04 00	1.00	SFD	D	1.00	1.00	\$55.76	\$55.76	Smith Thomas&Rory
267 290 05 00	1.00	SFD	D	1.00	1.00	\$55.76	\$55.76	Chiovani Family 2014 Trust 11-21-14
267 290 06 00	1.00	SFD	D	1.00	1.00	\$55.76	\$55.76	Gajare Bhalchandra&Marathe Kshama
267 290 07 00	1.00	SFD	D	1.00	1.00	\$55.76	\$55.76	Peterson Eric&Jane
267 290 08 00	1.00	SFD	D	1.00	1.00	\$55.76	\$55.76	Crowell Living Trust 07-07-16
267 290 09 00	1.00	SFD	D	1.00	1.00	\$55.76	\$55.76	Alvarado Olivia R
267 290 10 00	1.00	SFD	D	1.00	1.00	\$55.76	\$55.76	Leedom Michael&Jennifer
267 290 11 00	1.00	SFD	D	1.00	1.00	\$55.76	\$55.76	Cottle Family Trust 08-08-18
267 290 12 00	1.00	SFD	D	1.00	1.00	\$55.76	\$55.76	Brogdon James M&Donovan Maria
267 290 13 00	1.00	SFD	D	1.00	1.00	\$55.76	\$55.76	Kennedy Family Trust 04-11-17
267 290 14 00	1.00	SFD	D	1.00	1.00	\$55.76	\$55.76	Sadrieh Kiana
267 290 15 00	1.00	SFD	D	1.00	1.00	\$55.76	\$55.76	Han Sangdon&Kim Hyeju
267 290 16 00	1.00	SFD	D	1.00	1.00	\$55.76	\$55.76	Bhaghani 2008 Family Trust 05-29-08
267 290 17 00	1.00	SFD	D	1.00	1.00	\$55.76	\$55.76	Mccartin Thomas W
267 290 18 00	1.00	SFD	D	1.00	1.00	\$55.76	\$55.76	Mahboubi Vafa&Yount Susan L Living Trust 08-29-19
267 290 19 00	1.00	SFD	D	1.00	1.00	\$55.76	\$55.76	Burgos Michael C&Melissa M
267 290 20 00	1.00	SFD	D	1.00	1.00	\$55.76	\$55.76	Berkebile James W&Amy G
267 290 21 00	1.00	SFD	D	1.00	1.00	\$55.76	\$55.76	Lagman Raymond B&Nguyen-Lagman Anna M
267 290 22 00	1.00	SFD	D	1.00	1.00	\$55.76	\$55.76	Roch Andrew&Vora Puja
267 290 23 00	1.00	SFD	D	1.00	1.00	\$55.76	\$55.76	Felke Family Trust 02-27-15
267 290 24 00	1.00	SFD	D	1.00	1.00	\$55.76	\$55.76	Shaffalo Phil&Heidi
267 290 25 00	1.00	SFD	D	1.00	1.00	\$55.76	\$55.76	Forshan Dana&Collette
267 290 26 00	1.00	SFD	D	1.00	1.00	\$55.76	\$55.76	Silverwood C&J Family Trust 06-28-19
267 290 27 00	1.00	SFD	D	1.00	1.00	\$55.76	\$55.76	Evans Daniel L&Lisa M Revocable Trust 02-18-13
267 290 28 00	1.00	SFD	D	1.00	1.00	\$55.76	\$55.76	Neault David S&Natalie J
267 290 29 00	1.00	SFD	D	1.00	1.00	\$55.76	\$55.76	Janakiraman Hariharan&Hariharan Banu G
267 290 30 00	1.00	SFD	D	1.00	1.00	\$55.76	\$55.76	Campbell Michael&Ryoko Revocable Trust 02-02-22
267 290 31 00	1.00	SFD	D	1.00	1.00	\$55.76	\$55.76	Priddie Family Trust 11-30-16
267 290 32 00	1.00	SFD	D	1.00	1.00	\$55.76	\$55.76	Li Guohong&Cheng Ping
267 290 33 00	1.00	SFD	D	1.00	1.00	\$55.76	\$55.76	Strategent Llc
267 290 34 00	1.00	SFD	D	1.00	1.00	\$55.76	\$55.76	Kang Ian Inwook
267 290 35 00	1.00	SFD	D	1.00	1.00	\$55.76	\$55.76	Teeter Matthew&Jennifer Trust 05-30-13
267 290 36 00	1.00	SFD	D	1.00	1.00	\$55.76	\$55.76	Kim Hyung G&Bomi
267 290 37 00	1.00	SFD	D	1.00	1.00	\$55.76	\$55.76	Dobek Zachary R&Maria R
267 290 38 00	1.00	SFD	D	1.00	1.00	\$55.76	\$55.76	Christian Trust 08-14-17
267 290 39 00	1.00	SFD	D	1.00	1.00	\$55.76	\$55.76	Beyer Family Trust 08-09-22
267 290 40 00	1.00	SFD	D	1.00	1.00	\$55.76	\$55.76	Knight Bryan M&Laura E
267 290 41 00	1.00	SFD	D	1.00	1.00	\$55.76	\$55.76	Hickman Lisa L Family Trust 03-15-22
267 290 42 00	1.00	SFD	D	1.00	1.00	\$55.76	\$55.76	Chittari Prasanna K&Mahendravarma Lalitha
267 290 43 00	1.00	SFD	D	1.00	1.00	\$55.76	\$55.76	Lee Kyu Seok&Noh Eunyoung
267 290 44 00	1.00	SFD	D	1.00	1.00	\$55.76	\$55.76	Fockaert Robert&Layla Family Trust 10-07-19
267 290 45 00	1.00	SFD	D	1.00	1.00	\$55.76	\$55.76	Zhang Yuzhen
267 290 46 00	1.00	SFD	D	1.00	1.00	\$55.76	\$55.76	Gubeskys Arthur&Sandra
267 290 47 00	1.00	SFD	D	1.00	1.00	\$55.76	\$55.76	Kumar Shiv&Mahajan Harshada
267 290 48 00	1.00	SFD	D	1.00	1.00	\$55.76	\$55.76	Ioannou Nikolaos&Lara D
267 290 49 00	1.00	SFD	D	1.00	1.00	\$55.76	\$55.76	Leychkis Family Trust 05-20-21
267 290 50 00	1.00	SFD	D	1.00	1.00	\$55.76	\$55.76	Cabezuela Family Trust 07-03-12
267 290 51 00	1.00	SFD	D	1.00	1.00	\$55.76	\$55.76	Le Phong The&Vuong Ashley My
267 290 52 00	1.00	SFD	D	1.00	1.00	\$55.76	\$55.76	Dupart Jeffrey T&Cheryl
267 290 53 00	0.02	OSP	D	0.00	0.00	\$55.76	\$0.00	Del Sur Community Assn
267 290 54 00	0.03	OSP	D	0.00	0.00	\$55.76	\$0.00	Del Sur Community Assn

EXHIBIT C - Assessment Roll (Fiscal Year 2024)

Black Mountain Ranch North Maintenance Assessment District

Parcel Number	Acres/ Units ⁽¹⁾	Land Use Code ⁽²⁾	Zone	Land Use Factor ⁽²⁾	Total EBUs	Unit Cost (\$/Ebu)	FY 2024 ⁽³⁾ Assessment	Owner Name
267 300 01 00	1.00	SFD	B	1.00	1.00	\$72.32	\$72.32	Jassim Living Trust 05-19-21
267 300 02 00	1.00	SFD	B	1.00	1.00	\$72.32	\$72.32	Burrows Family Trust 09-20-99
267 300 03 00	1.00	SFD	B	1.00	1.00	\$72.32	\$72.32	Yan Family Trust 08-18-16
267 300 04 00	1.00	SFD	B	1.00	1.00	\$72.32	\$72.32	Chen Shi Revocable Living Trust 05-30-01
267 300 05 00	1.00	SFD	B	1.00	1.00	\$72.32	\$72.32	Ewusie Family Trust 06-01-15
267 300 11 00	1.00	SFD	B	1.00	1.00	\$72.32	\$72.32	Harris Richard D Revocable Trust 03-18-09
267 300 13 00	0.51	OSP	B	0.00	0.00	\$72.32	\$0.00	Del Sur Community Assn
267 300 14 00	0.33	OSP	B	0.00	0.00	\$72.32	\$0.00	Black Mountain Ranch Llc
267 300 15 00	0.94	OSP	B	0.00	0.00	\$72.32	\$0.00	Del Sur Community Assn
267 300 16 00	0.69	OSP	B	0.00	0.00	\$72.32	\$0.00	Black Mountain Ranch L L C
267 300 17 00	4.67	OSP	B	0.00	0.00	\$72.32	\$0.00	Del Sur Community Assn
267 300 18 00	1.00	SFD	B	1.00	1.00	\$72.32	\$72.32	Stjohn Family Trust 05-17-94
267 300 19 00	1.00	SFD	B	1.00	1.00	\$72.32	\$72.32	Silverwood Family Trust 05-04-04
267 300 20 00	1.00	SFD	B	1.00	1.00	\$72.32	\$72.32	Horikawa Yousuke Takashi&Udaka Yoko Tina
267 300 21 00	1.00	SFD	B	1.00	1.00	\$72.32	\$72.32	Cochrane Anthony L
267 300 22 00	0.11	UND	B	0.00	0.00	\$72.32	\$0.00	Spic Del Sur Llc
267 300 23 00	1.00	SFD	B	1.00	1.00	\$72.32	\$72.32	Duberchin Marjorie S Trust 06-28-88
267 300 24 00	1.00	SFD	B	1.00	1.00	\$72.32	\$72.32	Kaimer Living Trust 09-15-17
267 310 01 00	1.00	SFD	A	1.00	1.00	\$4.48	\$4.48	Snyder Mark H&Phary S
267 310 02 00	1.00	SFD	A	1.00	1.00	\$4.48	\$4.48	Meservy Family Trust 07-21-22
267 310 03 00	1.00	SFD	A	1.00	1.00	\$4.48	\$4.48	Weintraub Living Trust 01-10-22
267 310 04 00	1.00	SFD	A	1.00	1.00	\$4.48	\$4.48	Foster&Pugh Trust 10-04-17
267 310 05 00	1.00	SFD	A	1.00	1.00	\$4.48	\$4.48	Ahmad-Pai Ahson J&Ramezani Roshanak
267 310 06 00	1.00	SFD	A	1.00	1.00	\$4.48	\$4.48	Siwabessy Randolph P&Mangindin Angelica P
267 310 07 00	1.00	SFD	A	1.00	1.00	\$4.48	\$4.48	Babakhani/Ghazi Family Trust 07-26-21
267 310 08 00	1.00	SFD	A	1.00	1.00	\$4.48	\$4.48	Maas Fredric J Revocable Trust 04-16-21
267 310 09 00	1.00	SFD	A	1.00	1.00	\$4.48	\$4.48	Borgardt S&S Family Trust 08-22-07
267 310 10 00	1.00	SFD	A	1.00	1.00	\$4.48	\$4.48	Govindaswamy Senthil K&Senthil Meha I
267 310 11 00	1.00	SFD	A	1.00	1.00	\$4.48	\$4.48	Patel Piyush&Sandhya Family Trust 12-17-16
267 310 12 00	1.00	SFD	A	1.00	1.00	\$4.48	\$4.48	Feidelberg-Codini Family Trust 04-15-03
267 310 13 00	1.00	SFD	A	1.00	1.00	\$4.48	\$4.48	Morris Taylor&Sharee
267 310 14 00	1.00	SFD	A	1.00	1.00	\$4.48	\$4.48	Deschamps Family Trust 10-22-18
267 310 15 00	1.00	SFD	A	1.00	1.00	\$4.48	\$4.48	Lane Nathaniel I&Lynsey R
267 310 16 00	1.00	SFD	A	1.00	1.00	\$4.48	\$4.48	Lin Sue Jen Fu
267 310 17 00	1.00	SFD	A	1.00	1.00	\$4.48	\$4.48	Diggs Gregory S&Nichola M
267 310 18 00	1.00	SFD	A	1.00	1.00	\$4.48	\$4.48	Nabai Sarah Living Trust 05-29-03
267 310 19 00	1.00	SFD	A	1.00	1.00	\$4.48	\$4.48	Warsi Adeeb Trust
267 310 20 00	1.00	SFD	A	1.00	1.00	\$4.48	\$4.48	Espinosa Edmund&Brooke
267 310 21 00	4.85	OSP	A	0.00	0.00	\$4.48	\$0.00	Black Mountain Ranch L L C
267 310 22 00	0.53	OSP	A	0.00	0.00	\$4.48	\$0.00	Black Mountain Ranch L L C
267 310 23 00	1.14	STR	A	0.00	0.00	\$4.48	\$0.00	Avaron Community Assn
267 310 24 00	0.38	STR	A	0.00	0.00	\$4.48	\$0.00	Avaron Community Assn
267 310 25 00	0.87	STR	A	0.00	0.00	\$4.48	\$0.00	Black Mountain Ranch L L C
267 310 26 00	0.05	STR	A	0.00	0.00	\$4.48	\$0.00	Black Mountain Ranch L L C
267 311 01 00	1.00	SFD	A	1.00	1.00	\$4.48	\$4.48	Doustdar Family Trust 03-14-05
267 311 02 00	1.00	SFD	A	1.00	1.00	\$4.48	\$4.48	Tehranchi Family Revocable Trust 05-05-16
267 311 03 00	1.00	SFD	A	1.00	1.00	\$4.48	\$4.48	Shaik Family Trust 06-22-22
267 311 04 00	1.00	SFD	A	1.00	1.00	\$4.48	\$4.48	Spittler Family Trust 11-20-01
267 311 05 00	1.00	SFD	A	1.00	1.00	\$4.48	\$4.48	Bindra Sarvjeet S&Simrat K
267 311 06 00	1.00	SFD	A	1.00	1.00	\$4.48	\$4.48	Cramer Timothy J&Laura L
267 311 07 00	1.00	SFD	A	1.00	1.00	\$4.48	\$4.48	Vandenberg Family Trust 05-12-22
267 311 08 00	1.00	SFD	A	1.00	1.00	\$4.48	\$4.48	Vasbinder Joshua D&Courtney M
267 311 09 00	1.00	SFD	A	1.00	1.00	\$4.48	\$4.48	Reinders Family Trust 07-24-96
267 311 10 00	1.00	SFD	A	1.00	1.00	\$4.48	\$4.48	Corrigan Randy C Separate Property Trust 03-19-15
267 311 11 00	1.00	SFD	A	1.00	1.00	\$4.48	\$4.48	Mathews Michael&Sarah
267 311 12 00	1.00	SFD	A	1.00	1.00	\$4.48	\$4.48	Luu Thi Thuy Hong Family Trust 04-21-22
267 311 13 00	1.00	SFD	A	1.00	1.00	\$4.48	\$4.48	Magbanua Family Trust 11-21-18
267 311 14 00	1.00	SFD	A	1.00	1.00	\$4.48	\$4.48	Hollander Dean&Jennifer
267 311 15 00	1.00	SFD	A	1.00	1.00	\$4.48	\$4.48	Dunne Michael J Revocable Trust 06-30-00

EXHIBIT C - Assessment Roll (Fiscal Year 2024)

Black Mountain Ranch North Maintenance Assessment District

Parcel Number	Acres/ Units ⁽¹⁾	Land Use Code ⁽²⁾	Zone	Land Use Factor ⁽²⁾	Total EBUs	Unit Cost (\$/Ebu)	FY 2024 ⁽³⁾ Assessment	Owner Name
267 311 16 00	1.00	SFD	A	1.00	1.00	\$4.48	\$4.48	Harris Timothy J&Altevers Aimee S Revocable Living
267 311 17 00	1.00	SFD	A	1.00	1.00	\$4.48	\$4.48	Jarrett Family Trust 02-11-15
267 311 18 00	1.00	SFD	A	1.00	1.00	\$4.48	\$4.48	Johnston Farnham Family Trust 02-19-21
267 311 19 00	1.00	SFD	A	1.00	1.00	\$4.48	\$4.48	Rinehart Michael&Katherine Trust 03-30-20
267 311 20 00	1.00	SFD	A	1.00	1.00	\$4.48	\$4.48	Youngren Ronald G&Regina M Joint Living Trust 01-1
267 311 21 00	1.00	SFD	A	1.00	1.00	\$4.48	\$4.48	Isariyawongse Brandon&Eng Katherine
267 311 22 00	1.00	SFD	A	1.00	1.00	\$4.48	\$4.48	Delatorre Living Trust 04-27-11
267 311 23 00	1.00	SFD	A	1.00	1.00	\$4.48	\$4.48	Cummins Bharne Family Trust 04-11-15
267 311 24 00	1.00	SFD	A	1.00	1.00	\$4.48	\$4.48	Isaacson Blake Revocable Living Trust 11-01-97
267 311 25 00	1.00	SFD	A	1.00	1.00	\$4.48	\$4.48	Berk Joshua D&Vani P
267 311 26 00	0.33	OSP	A	0.00	0.00	\$4.48	\$0.00	Avaron Community Association
267 311 27 00	0.83	STR	A	0.00	0.00	\$4.48	\$0.00	Avaron Community Association
267 311 28 00	0.70	STR	A	0.00	0.00	\$4.48	\$0.00	Avaron Community Assn
267 311 29 00	2.42	STR	A	0.00	0.00	\$4.48	\$0.00	Black Mountain Ranch L L C
267 312 01 00	1.00	SFD	A	1.00	1.00	\$4.48	\$4.48	Happy To Be Family Trust 05-21-11
267 312 02 00	1.00	SFD	A	1.00	1.00	\$4.48	\$4.48	Deevi Family Trust 10-30-21
267 312 03 00	1.00	SFD	A	1.00	1.00	\$4.48	\$4.48	Rattray Jason&Kristina M
267 312 04 00	1.00	SFD	A	1.00	1.00	\$4.48	\$4.48	Howell James M&Pamela B
267 312 05 00	1.00	SFD	A	1.00	1.00	\$4.48	\$4.48	Eekhout Juancho E&Amy E
267 312 06 00	1.00	SFD	A	1.00	1.00	\$4.48	\$4.48	Geraghty Family Trust 02-28-14
267 312 07 00	1.00	SFD	A	1.00	1.00	\$4.48	\$4.48	Eisenberg Steven G&Julie S
267 312 08 00	1.00	SFD	A	1.00	1.00	\$4.48	\$4.48	Ghai G&M 2016 Trust 11-30-16
267 312 09 00	1.00	SFD	A	1.00	1.00	\$4.48	\$4.48	Leone Living Trust 12-31-96
267 312 10 00	1.00	SFD	A	1.00	1.00	\$4.48	\$4.48	Gourdie Family Trust 02-25-19
267 312 11 00	1.00	SFD	A	1.00	1.00	\$4.48	\$4.48	Gaeir Family Trust 03-30-20
267 312 12 00	1.00	SFD	A	1.00	1.00	\$4.48	\$4.48	Hammonds Family Trust 07-23-14
267 312 13 00	1.00	SFD	A	1.00	1.00	\$4.48	\$4.48	Herrera Family Trust 11-02-09
267 312 14 00	1.00	SFD	A	1.00	1.00	\$4.48	\$4.48	Helm John&Mary Family Trust 01-25-10
267 312 15 00	0.18	OSP	A	0.00	0.00	\$4.48	\$0.00	Avaron Community Assn
267 312 16 00	0.79	STR	A	0.00	0.00	\$4.48	\$0.00	Avaron Community Assn
267 313 02 00	1.34	OSP	A	0.00	0.00	\$4.48	\$0.00	Del Sur Community Association
267 313 03 00	0.69	OSP	A	0.00	0.00	\$4.48	\$0.00	Del Sur Community Association
267 313 04 00	0.21	OSP	A	0.00	0.00	\$4.48	\$0.00	Olivenhain Municipal Water District
267 313 05 00	0.23	OSP	A	0.00	0.00	\$4.48	\$0.00	Olivenhain Municipal Water District
267 313 06 00	0.11	OSP	A	0.00	0.00	\$4.48	\$0.00	Olivenhain Municipal Water District
267 313 07 00	0.03	OSP	A	0.00	0.00	\$4.48	\$0.00	Olivenhain Municipal Water District
267 313 08 00	18.81	OSP	A	0.00	0.00	\$4.48	\$0.00	Black Mountain Ranch L L C
267 320 01 00	1.00	SFD	D	1.00	1.00	\$55.76	\$55.76	Wheeler David D&Wendy E
267 320 02 00	1.00	SFD	D	1.00	1.00	\$55.76	\$55.76	Rong Ruan Living Trust 12-19-11
267 320 03 00	1.00	SFD	D	1.00	1.00	\$55.76	\$55.76	Kinard Karen S Trust 11-12-21
267 320 04 00	1.00	SFD	D	1.00	1.00	\$55.76	\$55.76	Vandenberg Family Trust 05-12-22
267 320 05 00	1.00	SFD	D	1.00	1.00	\$55.76	\$55.76	Dwivedi Sasmit&Surbhi
267 320 06 00	1.00	SFD	D	1.00	1.00	\$55.76	\$55.76	Mcallister Michael A
267 320 07 00	1.00	SFD	D	1.00	1.00	\$55.76	\$55.76	Nielsen Bret M&Andrea
267 320 08 00	1.00	SFD	D	1.00	1.00	\$55.76	\$55.76	Mashburn Adria L Separate Property Trust 04-07-08
267 320 09 00	1.00	SFD	D	1.00	1.00	\$55.76	\$55.76	Wightlin Matthew&Corinne
267 320 10 01	1.00	SFD	D	1.00	1.00	\$55.76	\$55.76	Thota Kiran K&Velagaleti Swetha
267 320 10 02	1.00	SFD	D	1.00	1.00	\$55.76	\$55.76	Gopalasamy Ahilan
267 320 11 01	1.00	SFD	D	1.00	1.00	\$55.76	\$55.76	Shekhar Shalin H&Bhat Rinku
267 320 11 02	1.00	SFD	D	1.00	1.00	\$55.76	\$55.76	Mckenna John R&Karissa L
267 320 12 01	1.00	SFD	D	1.00	1.00	\$55.76	\$55.76	Wang Yuda&Huan
267 320 12 02	1.00	SFD	D	1.00	1.00	\$55.76	\$55.76	Giustiniano Cheryl A Revocable Trust 04-09-18
267 320 13 01	1.00	SFD	D	1.00	1.00	\$55.76	\$55.76	Tarplee Todd&Allison
267 320 13 02	1.00	SFD	D	1.00	1.00	\$55.76	\$55.76	Tarplee Family Trust 06-01-00
267 320 14 01	1.00	SFD	D	1.00	1.00	\$55.76	\$55.76	Clement Pamela F Trust 06-09-89
267 320 14 02	1.00	SFD	D	1.00	1.00	\$55.76	\$55.76	Abramson Joseph G&Laure-Abramson Dinna A
267 320 15 01	1.00	SFD	D	1.00	1.00	\$55.76	\$55.76	Anandampillai Damodar R&Prasad Deepa
267 320 15 02	1.00	SFD	D	1.00	1.00	\$55.76	\$55.76	Quashnock Joseph&Mart
267 320 16 00	0.28	STR	D	0.00	0.00	\$55.76	\$0.00	Del Sur Community Assn

EXHIBIT C - Assessment Roll (Fiscal Year 2024)

Black Mountain Ranch North Maintenance Assessment District

Parcel Number	Acres/ Units ⁽¹⁾	Land Use Code ⁽²⁾	Zone	Land Use Factor ⁽²⁾	Total EBU's	Unit Cost (\$/EBU)	FY 2024 ⁽³⁾ Assessment	Owner Name
267 321 07 00	1.00	SFD	D	1.00	1.00	\$55.76	\$55.76	Zhou Jianmei
267 321 08 00	1.00	SFD	D	1.00	1.00	\$55.76	\$55.76	Kulkarni Nadager Family Trust 01-25-22
267 321 09 00	1.00	SFD	D	1.00	1.00	\$55.76	\$55.76	Hentrich John M&Dinara
267 321 10 00	1.00	SFD	D	1.00	1.00	\$55.76	\$55.76	Wild Deborah V
267 321 11 00	1.00	SFD	D	1.00	1.00	\$55.76	\$55.76	Weil Karen Revocable Trust 06-19-14
267 321 12 00	1.00	SFD	D	1.00	1.00	\$55.76	\$55.76	Chen Weitao&Guo Tingxia
267 321 13 00	1.00	SFD	D	1.00	1.00	\$55.76	\$55.76	Sun Yuanying&Yu Ning
267 321 14 00	1.00	SFD	D	1.00	1.00	\$55.76	\$55.76	Leyerle Christopher J&Kimberly M
267 321 15 00	0.24	STR	D	0.00	0.00	\$55.76	\$0.00	Calatlantic Group Inc
267 321 16 01	1.00	SFD	D	1.00	1.00	\$55.76	\$55.76	Yu Hokyoung&Kwon Nayeong
267 321 16 02	1.00	SFD	D	1.00	1.00	\$55.76	\$55.76	Diverde Family Trust 09-24-20
267 321 16 03	1.00	SFD	D	1.00	1.00	\$55.76	\$55.76	Kallay Stephanie
267 321 16 04	1.00	SFD	D	1.00	1.00	\$55.76	\$55.76	Moselhy Haytham&Brisin Wissem
267 321 16 05	1.00	SFD	D	1.00	1.00	\$55.76	\$55.76	Patz Family Living Trust 08-04-21
267 321 16 06	1.00	SFD	D	1.00	1.00	\$55.76	\$55.76	Chiong John P
267 321 16 07	1.00	SFD	D	1.00	1.00	\$55.76	\$55.76	Kurtzman Melissa T 2011 Trust 09-08-11
267 321 16 08	1.00	SFD	D	1.00	1.00	\$55.76	\$55.76	Song Sun Woong
267 321 16 09	1.00	SFD	D	1.00	1.00	\$55.76	\$55.76	Spillane Timothy&Kelly Trust 06-21-19
267 321 16 10	1.00	SFD	D	1.00	1.00	\$55.76	\$55.76	Hastings Daniel&Kathleen
267 321 16 11	1.00	SFD	D	1.00	1.00	\$55.76	\$55.76	Hollaender Living Trust 08-22-16
267 321 16 12	1.00	SFD	D	1.00	1.00	\$55.76	\$55.76	Campos Nicholas&Megan
267 330 01 00	1.00	SFD	D	1.00	1.00	\$55.76	\$55.76	King Family Trust 12-08-21
267 330 02 00	1.00	SFD	D	1.00	1.00	\$55.76	\$55.76	Coquia Mark L&Yolanda P
267 330 03 00	1.00	SFD	D	1.00	1.00	\$55.76	\$55.76	Hu Qi Dong&Zhou Zhi Hong
267 330 04 00	1.00	SFD	D	1.00	1.00	\$55.76	\$55.76	Nevares 2019 Family Living Trust 12-09-19
267 330 05 00	1.00	SFD	D	1.00	1.00	\$55.76	\$55.76	Thomas Scarlett
267 330 06 00	1.00	SFD	D	1.00	1.00	\$55.76	\$55.76	Kwon Chang Ki&Sook Kyoung Shim
267 330 07 00	1.00	SFD	D	1.00	1.00	\$55.76	\$55.76	Schofield Bonny C Living Trust 03-11-19
267 330 08 00	1.00	SFD	D	1.00	1.00	\$55.76	\$55.76	Heine Ryan&Ellis Emily J
267 330 09 00	1.00	SFD	D	1.00	1.00	\$55.76	\$55.76	Chang Michelle E
267 330 10 00	1.00	SFD	D	1.00	1.00	\$55.76	\$55.76	Hu Qiyue&Wang Wei
267 330 11 00	1.00	SFD	D	1.00	1.00	\$55.76	\$55.76	Farley Richard O Living Trust 02-24-18
267 330 12 00	1.00	SFD	D	1.00	1.00	\$55.76	\$55.76	Liu Wayne&Grace
267 330 13 00	1.00	SFD	D	1.00	1.00	\$55.76	\$55.76	Boda Vamsee Krishna Babu&Thummalapalli Padmavathi
267 330 14 00	1.00	SFD	D	1.00	1.00	\$55.76	\$55.76	Popek 2017 Family Trust 02-22-17
267 330 15 00	1.00	SFD	D	1.00	1.00	\$55.76	\$55.76	Campagna Family Trust 08-29-01
267 330 16 00	1.00	SFD	D	1.00	1.00	\$55.76	\$55.76	Perry Wilton A Jr&Georgina
267 330 17 00	1.00	SFD	D	1.00	1.00	\$55.76	\$55.76	Denehy Schaeffer Family 2015 Trust 08-07-15
267 330 18 00	1.00	SFD	D	1.00	1.00	\$55.76	\$55.76	Haughey Xuan Nguyen Living Trust 11-14-16
267 330 19 00	1.00	SFD	D	1.00	1.00	\$55.76	\$55.76	Thomas Vinay&Mathen Navitha
267 330 20 00	1.00	SFD	D	1.00	1.00	\$55.76	\$55.76	He Xu&Ma Mengyu
267 330 21 00	1.00	SFD	D	1.00	1.00	\$55.76	\$55.76	Driscoll Revocable Decoration Trust 07-28-88
267 330 22 00	1.00	SFD	D	1.00	1.00	\$55.76	\$55.76	Reyes Edgar A&Karen Q
267 330 23 00	1.00	SFD	D	1.00	1.00	\$55.76	\$55.76	Lee Family Trust 09-28-17
267 330 24 00	1.00	SFD	D	1.00	1.00	\$55.76	\$55.76	Vukovich Tara D
267 330 25 00	1.00	SFD	D	1.00	1.00	\$55.76	\$55.76	Herrera Family Trust 02-13-21
267 330 26 00	1.00	SFD	D	1.00	1.00	\$55.76	\$55.76	Angappan Kavinkadhirsvelan&Sivasubramanian Jaya S
267 330 27 00	1.00	SFD	D	1.00	1.00	\$55.76	\$55.76	Campbell Kanika K
267 330 28 00	1.00	SFD	D	1.00	1.00	\$55.76	\$55.76	Deshatty Shashank&Deepa
267 330 29 00	1.00	SFD	D	1.00	1.00	\$55.76	\$55.76	Frost Baron&Tiffany
267 330 30 00	1.00	SFD	D	1.00	1.00	\$55.76	\$55.76	Porr Peter P
267 330 31 00	1.00	SFD	D	1.00	1.00	\$55.76	\$55.76	Kandasamy Vinod&Murugavel Aarthie
267 330 32 00	1.00	SFD	D	1.00	1.00	\$55.76	\$55.76	Kolluri Anand&Borra Lakshmi P
267 330 33 00	1.00	SFD	D	1.00	1.00	\$55.76	\$55.76	Pham Ngoc Living Trust 01-06-22
267 330 34 00	1.00	SFD	D	1.00	1.00	\$55.76	\$55.76	Cowell Jessica A Trust 02-28-20
267 330 35 00	1.00	SFD	D	1.00	1.00	\$55.76	\$55.76	Timariu Family Trust 06-17-21
267 330 36 00	1.00	SFD	D	1.00	1.00	\$55.76	\$55.76	Asante Edward&Pamela S
267 330 37 00	1.00	SFD	D	1.00	1.00	\$55.76	\$55.76	Sen R J Family&Trust 03-22-21
267 330 38 00	1.00	SFD	D	1.00	1.00	\$55.76	\$55.76	Venkatesh Aja K&Rao Varsha V

EXHIBIT C - Assessment Roll (Fiscal Year 2024)

Black Mountain Ranch North Maintenance Assessment District

Parcel Number	Acres/ Units ⁽¹⁾	Land Use Code ⁽²⁾	Zone	Land Use Factor ⁽²⁾	Total EBU's	Unit Cost (\$/EBU)	FY 2024 ⁽³⁾ Assessment	Owner Name
267 330 39 00	1.00	SFD	D	1.00	1.00	\$55.76	\$55.76	R E Hazard Contracting Company
267 330 40 00	1.00	SFD	D	1.00	1.00	\$55.76	\$55.76	Stephan Christina A Revocable Trust 12-15-14
267 330 41 00	1.00	SFD	D	1.00	1.00	\$55.76	\$55.76	Riley Christopher J&Chunhua Liu
267 330 42 00	1.00	SFD	D	1.00	1.00	\$55.76	\$55.76	Chung Joon Hyung&Kim Jee Suk
267 330 43 00	1.00	SFD	D	1.00	1.00	\$55.76	\$55.76	Parrish Ray&Amanda
267 330 44 00	1.00	SFD	D	1.00	1.00	\$55.76	\$55.76	Yumul Randolph M
267 330 45 00	1.00	SFD	D	1.00	1.00	\$55.76	\$55.76	Block Family 2014 Trust 01-09-14
267 330 46 00	1.00	SFD	D	1.00	1.00	\$55.76	\$55.76	Stewart Todd W&Donna M Trust 06-04-96
267 330 47 00	1.00	SFD	D	1.00	1.00	\$55.76	\$55.76	Farhope Llc
267 330 48 00	1.00	SFD	D	1.00	1.00	\$55.76	\$55.76	Sadhu Hari K&Mallika K
267 330 49 00	1.00	SFD	D	1.00	1.00	\$55.76	\$55.76	Robertson Eric J&Kimberly A
267 330 50 00	1.00	SFD	D	1.00	1.00	\$55.76	\$55.76	Vaddineni Manohar&Anusha
267 330 51 00	1.00	SFD	D	1.00	1.00	\$55.76	\$55.76	Paben Christopher Revocable Trust 06-15-15
267 330 52 00	1.00	SFD	D	1.00	1.00	\$55.76	\$55.76	Mehta-Ombe Ashika&Ombe Eniye
267 330 53 00	1.00	SFD	D	1.00	1.00	\$55.76	\$55.76	Getchell Marcos A&Luciana F
267 330 54 00	1.00	SFD	D	1.00	1.00	\$55.76	\$55.76	Wang Zhenning&Lei Yin
267 330 55 00	1.00	SFD	D	1.00	1.00	\$55.76	\$55.76	Liu Ming&Yao Ying
267 330 56 00	1.00	SFD	D	1.00	1.00	\$55.76	\$55.76	Pollock David&Veino Elva L
267 330 57 00	1.00	SFD	D	1.00	1.00	\$55.76	\$55.76	Olson Chad&Adriana
267 330 58 00	1.00	SFD	D	1.00	1.00	\$55.76	\$55.76	Shocker Colby J&Jennifer J
267 330 59 00	1.00	SFD	D	1.00	1.00	\$55.76	\$55.76	Friess William J&Jill S
267 330 60 00	1.00	SFD	D	1.00	1.00	\$55.76	\$55.76	Hanson Ashley J
267 330 61 00	1.00	SFD	D	1.00	1.00	\$55.76	\$55.76	Jacobs Gregory J&Tamera
267 330 62 00	1.00	SFD	D	1.00	1.00	\$55.76	\$55.76	Castro Trinity J
267 330 63 00	1.00	SFD	D	1.00	1.00	\$55.76	\$55.76	Loznycky Bill W Jr&Darlene E
267 330 64 00	1.00	SFD	D	1.00	1.00	\$55.76	\$55.76	Khanbolooki Parham
267 330 65 00	1.00	SFD	D	1.00	1.00	\$55.76	\$55.76	Bradley Matthew L&Sara A Revocable Trust 05-21-18
267 330 66 00	1.00	SFD	D	1.00	1.00	\$55.76	\$55.76	Schwager Family Trust 03-31-10
267 330 67 00	1.00	SFD	D	1.00	1.00	\$55.76	\$55.76	Yuan Yijiang&Wu Huan
267 330 68 00	1.00	SFD	D	1.00	1.00	\$55.76	\$55.76	Shumate Aaron C&Satsuki K
267 330 69 00	1.00	SFD	D	1.00	1.00	\$55.76	\$55.76	Ahn Seungryoul&Sim Jae Sung
267 330 70 00	0.07	STR	D	0.00	0.00	\$55.76	\$0.00	Delsur Community Assn
267 330 71 00	0.08	STR	D	0.00	0.00	\$55.76	\$0.00	Del Sur Community Assn
267 330 72 00	0.08	STR	D	0.00	0.00	\$55.76	\$0.00	Del Sur Community Assn
267 330 73 00	0.08	STR	D	0.00	0.00	\$55.76	\$0.00	Del Sur Community Assn
267 330 74 00	0.35	STR	D	0.00	0.00	\$55.76	\$0.00	Delsur Community Assn
267 330 75 00	0.22	STR	D	0.00	0.00	\$55.76	\$0.00	Del Sur Community Assn
267 330 76 00	0.33	OSP	D	0.00	0.00	\$55.76	\$0.00	Del Sur Community Assn
267 330 77 00	2.37	OSP	D	0.00	0.00	\$55.76	\$0.00	Del Sur Community Assn
267 330 78 00	0.06	OSP	D	0.00	0.00	\$55.76	\$0.00	Delsur Community Assn
267 330 79 00	0.09	OSP	D	0.00	0.00	\$55.76	\$0.00	Del Sur Community Assn
267 330 80 00	0.20	STR	D	0.00	0.00	\$55.76	\$0.00	Delsur Community Assn
267 340 01 00	1.00	SFD	D	1.00	1.00	\$55.76	\$55.76	Bender Anna M Living Trust 08-05-98
267 340 02 00	1.00	SFD	D	1.00	1.00	\$55.76	\$55.76	Toman Jeremy P&Jeeyon J
267 340 03 00	1.00	SFD	D	1.00	1.00	\$55.76	\$55.76	Saxon Brandon D&Lisa M
267 340 04 00	1.00	SFD	D	1.00	1.00	\$55.76	\$55.76	Tamillo Justin K&Mandy D
267 340 05 00	1.00	SFD	D	1.00	1.00	\$55.76	\$55.76	Fisher Family Trust 04-04-15
267 340 06 00	1.00	SFD	D	1.00	1.00	\$55.76	\$55.76	Pericano Living Trust 05-18-16
267 340 07 00	1.00	SFD	D	1.00	1.00	\$55.76	\$55.76	Dasgupta Family Trust 04-13-18
267 340 08 00	1.00	SFD	D	1.00	1.00	\$55.76	\$55.76	Mahdavih Haleh
267 340 09 00	1.00	SFD	D	1.00	1.00	\$55.76	\$55.76	Chen Peter L Family Trust 06-07-18
267 340 10 00	1.00	SFD	D	1.00	1.00	\$55.76	\$55.76	Peddani Hemanth K&Deptala Vedavalli S
267 340 11 00	1.00	SFD	D	1.00	1.00	\$55.76	\$55.76	Jones Hande Family Trust 02-12-19
267 340 12 00	1.00	SFD	D	1.00	1.00	\$55.76	\$55.76	Goos-Lawson/Moore Family Living Trust 06-26-22
267 340 13 00	1.00	SFD	D	1.00	1.00	\$55.76	\$55.76	Gieselmann Nathan&Simone Family Trust 04-15-16
267 340 14 00	1.00	SFD	D	1.00	1.00	\$55.76	\$55.76	Davidyoung Iii Family Trust
267 340 15 00	1.00	SFD	D	1.00	1.00	\$55.76	\$55.76	Jolly Gautam&Deepti
267 340 16 00	1.00	SFD	D	1.00	1.00	\$55.76	\$55.76	Felker Damon L&Lauren E
267 340 17 00	1.00	SFD	D	1.00	1.00	\$55.76	\$55.76	Zheng Yongjie&Jiang Yan

EXHIBIT C - Assessment Roll (Fiscal Year 2024)

Black Mountain Ranch North Maintenance Assessment District

Parcel Number	Acres/ Units ⁽¹⁾	Land Use Code ⁽²⁾	Zone	Land Use Factor ⁽²⁾	Total EBU's	Unit Cost (\$/EBU)	FY 2024 ⁽³⁾ Assessment	Owner Name
267 340 18 00	1.00	SFD	D	1.00	1.00	\$55.76	\$55.76	Tremblay Family Revocable Living Trust 10-22-20
267 340 19 00	1.00	SFD	D	1.00	1.00	\$55.76	\$55.76	Zamorano Anna M S Seperate Property Trust 08-28-14
267 340 20 00	1.00	SFD	D	1.00	1.00	\$55.76	\$55.76	Li Yong&Ge Xinjie
267 340 21 00	1.00	SFD	D	1.00	1.00	\$55.76	\$55.76	Lee Austin&Kara
267 340 22 00	1.00	SFD	D	1.00	1.00	\$55.76	\$55.76	Tu Thang&Jian Shuzhen
267 340 23 00	1.00	SFD	D	1.00	1.00	\$55.76	\$55.76	Piotrowiak Family Trust 06-05-14
267 340 24 00	1.00	SFD	D	1.00	1.00	\$55.76	\$55.76	Pavis Ian&Lisa M
267 340 25 00	1.00	SFD	D	1.00	1.00	\$55.76	\$55.76	Ryan Trust 05-21-15
267 340 26 00	1.00	SFD	D	1.00	1.00	\$55.76	\$55.76	Powers Joseph&Bella Revocable Living Trust 12-13-1
267 340 27 00	1.00	SFD	D	1.00	1.00	\$55.76	\$55.76	Bharadwaj Gowrishankar&Gayatri
267 340 28 00	1.00	SFD	D	1.00	1.00	\$55.76	\$55.76	Hensley Curtis S&Erin R Living Trust 07-22-00
267 340 29 00	1.00	SFD	D	1.00	1.00	\$55.76	\$55.76	Santomauro Michael G&Montenegro Andrea L
267 340 30 00	1.00	SFD	D	1.00	1.00	\$55.76	\$55.76	Lopez Christopher R&Andrea M
267 340 31 00	1.00	SFD	D	1.00	1.00	\$55.76	\$55.76	Vinson Andrea Family Trust 03-17-18
267 340 32 00	1.00	SFD	D	1.00	1.00	\$55.76	\$55.76	Bochy Brett&Kelsey
267 340 33 00	1.00	SFD	D	1.00	1.00	\$55.76	\$55.76	Henderson Scott A&Shannon H Family Trust 10-26-11
267 340 34 00	1.00	SFD	D	1.00	1.00	\$55.76	\$55.76	Winters Susan M Trust 11-12-20
267 340 35 00	1.00	SFD	D	1.00	1.00	\$55.76	\$55.76	Fullenwider Mervin&Christine
267 340 36 00	1.00	SFD	D	1.00	1.00	\$55.76	\$55.76	Browne John M&Chassidy
267 340 37 00	1.00	SFD	D	1.00	1.00	\$55.76	\$55.76	Wrotslavsky Philip&Magda M
267 340 38 00	1.00	SFD	D	1.00	1.00	\$55.76	\$55.76	Sonara Family Trust 07-09-18
267 340 39 00	1.00	SFD	D	1.00	1.00	\$55.76	\$55.76	Dragnes Trust 11-09-07
267 340 40 00	1.00	SFD	D	1.00	1.00	\$55.76	\$55.76	Caoile Michael&Jeanne
267 340 41 00	1.00	SFD	D	1.00	1.00	\$55.76	\$55.76	Horn Brad&Stephani
267 340 42 00	1.00	SFD	D	1.00	1.00	\$55.76	\$55.76	Huber Marc W&Jennifer A
267 340 43 00	1.00	SFD	D	1.00	1.00	\$55.76	\$55.76	Grenewitz Family Trust 07-24-19
267 340 44 00	1.00	SFD	D	1.00	1.00	\$55.76	\$55.76	Zubrod Timothy&Tina
267 340 45 00	1.00	SFD	D	1.00	1.00	\$55.76	\$55.76	Begelman Evgeny&Elina
267 340 46 00	1.00	SFD	D	1.00	1.00	\$55.76	\$55.76	Ghosh Family Trust 12-17-21
267 340 47 00	1.00	SFD	D	1.00	1.00	\$55.76	\$55.76	Reikow Nicholas&Randi
267 340 48 00	1.00	SFD	D	1.00	1.00	\$55.76	\$55.76	Cheshire Cary&Michelle Family Trust 01-22-10
267 340 49 00	1.00	SFD	D	1.00	1.00	\$55.76	\$55.76	Chan Family Trust 12-20-17
267 340 50 00	1.00	SFD	D	1.00	1.00	\$55.76	\$55.76	Keogh David M&Davis Mindy L
267 340 51 00	1.00	SFD	D	1.00	1.00	\$55.76	\$55.76	Seidenwurm Rob&Katie Family Trust 10-01-18
267 340 52 00	1.00	SFD	D	1.00	1.00	\$55.76	\$55.76	Chandak Vrunal K&Prachi V
267 340 53 00	1.00	SFD	D	1.00	1.00	\$55.76	\$55.76	Gonzalez Ralph P
267 340 54 00	1.00	SFD	D	1.00	1.00	\$55.76	\$55.76	Osborn Trust 03-01-16
267 340 55 00	1.00	SFD	D	1.00	1.00	\$55.76	\$55.76	Conrad Skyla Special Needs Trust 03-15-11
267 340 56 00	1.00	SFD	D	1.00	1.00	\$55.76	\$55.76	Bhatt Neha
267 340 57 00	1.00	SFD	D	1.00	1.00	\$55.76	\$55.76	Pazin Michael&Linda B
267 340 58 00	1.00	SFD	D	1.00	1.00	\$55.76	\$55.76	Vanganuru Family Trust 09-18-18
267 340 59 00	1.00	SFD	D	1.00	1.00	\$55.76	\$55.76	Furnari Elizabeth&Frank Living Trust 06-21-11
267 340 60 00	1.00	SFD	D	1.00	1.00	\$55.76	\$55.76	Eagan Family Trust 11-11-21
267 340 61 00	1.00	SFD	D	1.00	1.00	\$55.76	\$55.76	Cayabyab Neil&Shah Reema
267 340 62 00	1.00	SFD	D	1.00	1.00	\$55.76	\$55.76	Lane Family Trust 07-01-19
267 340 63 00	1.00	SFD	D	1.00	1.00	\$55.76	\$55.76	Aman Brian T&Maria N
267 340 64 00	1.00	SFD	D	1.00	1.00	\$55.76	\$55.76	Syed Mohammed M&Nasim Saima
267 340 65 00	1.00	SFD	D	1.00	1.00	\$55.76	\$55.76	Zhang Tao&Chi
267 340 66 00	1.00	SFD	D	1.00	1.00	\$55.76	\$55.76	Frye James P&Jane G
267 340 67 00	1.00	SFD	D	1.00	1.00	\$55.76	\$55.76	Park Sang-June&Bae Kang Yoon
267 340 68 00	1.00	SFD	D	1.00	1.00	\$55.76	\$55.76	Paiva Trust 01-26-17
267 340 69 00	1.00	SFD	D	1.00	1.00	\$55.76	\$55.76	Bauer&Staley Revocable Trust 04-21-15
267 340 70 00	1.00	SFD	D	1.00	1.00	\$55.76	\$55.76	Swanson Thomas J&Laura I
267 340 71 00	0.03	OSP	D	0.00	0.00	\$55.76	\$0.00	Del Sur Community Association
267 340 72 00	0.02	STR	D	0.00	0.00	\$55.76	\$0.00	Del Sur Community Association
267 341 01 00	1.00	SFD	D	1.00	1.00	\$55.76	\$55.76	Takenaga Marc M&Chang Michelle E
267 341 02 00	1.00	SFD	D	1.00	1.00	\$55.76	\$55.76	Kumar Living Trust 07-20-22
267 341 03 00	1.00	SFD	D	1.00	1.00	\$55.76	\$55.76	Gray Richard A Iii&Carly D
267 341 04 00	1.00	SFD	D	1.00	1.00	\$55.76	\$55.76	Abed Chung Family Trust 11-15-12

EXHIBIT C - Assessment Roll (Fiscal Year 2024)

Black Mountain Ranch North Maintenance Assessment District

Parcel Number	Acres/ Units ⁽¹⁾	Land Use Code ⁽²⁾	Zone	Land Use Factor ⁽²⁾	Total EBU's	Unit Cost (\$/EBU)	FY 2024 ⁽³⁾ Assessment	Owner Name
267 341 05 00	1.00	SFD	D	1.00	1.00	\$55.76	\$55.76	Stamoulis Anastasios&Ioanna
267 341 06 00	1.00	SFD	D	1.00	1.00	\$55.76	\$55.76	Baker-Lafontaine Trust 09-12-05
267 341 07 00	1.00	SFD	D	1.00	1.00	\$55.76	\$55.76	Nguyen Khai Hoang&Huynh Hue
267 341 08 00	1.00	SFD	D	1.00	1.00	\$55.76	\$55.76	Rainier Rajiv&Niru P Family 2014 Trust
267 341 09 00	1.00	SFD	D	1.00	1.00	\$55.76	\$55.76	Hill Joseph M&Mirabel C
267 341 10 00	1.00	SFD	D	1.00	1.00	\$55.76	\$55.76	Maxwell David W&Charlton Sherri A
267 341 11 00	1.00	SFD	D	1.00	1.00	\$55.76	\$55.76	Zumut Yousef S&Rubia N
267 341 12 00	1.00	SFD	D	1.00	1.00	\$55.76	\$55.76	Berrios Christian J&Ho Rachel L L
267 341 13 00	1.00	SFD	D	1.00	1.00	\$55.76	\$55.76	Richardson Seth&Wotherspoon Paula
267 341 14 00	1.00	SFD	D	1.00	1.00	\$55.76	\$55.76	Visser Erik
267 341 15 00	1.00	SFD	D	1.00	1.00	\$55.76	\$55.76	Kelts Lucy D Inter Vivos Trust 11-13-108-96
267 341 16 00	1.00	SFD	D	1.00	1.00	\$55.76	\$55.76	Holmes Margaret A
267 341 17 00	1.00	SFD	D	1.00	1.00	\$55.76	\$55.76	Duong Peter P&Chang Cecile Chuan
267 341 18 00	1.00	SFD	D	1.00	1.00	\$55.76	\$55.76	Ciano Ronald A&Kathy A
267 341 19 00	1.00	SFD	D	1.00	1.00	\$55.76	\$55.76	Bragstad Kenneth
267 341 20 00	1.00	SFD	D	1.00	1.00	\$55.76	\$55.76	Talleh Rami&Rasha A
267 341 21 00	1.00	SFD	D	1.00	1.00	\$55.76	\$55.76	Katzenmeier Adam
267 341 22 00	1.00	SFD	D	1.00	1.00	\$55.76	\$55.76	Mikouilitch Ivan&Lioudmila
267 341 23 00	0.25	STR	D	0.00	0.00	\$55.76	\$0.00	Del Sur Community Assn
267 341 24 00	1.68	PKU	D	0.50	0.84	\$55.76	\$46.84	Del Sur Community Association
267 350 01 00	1.00	SFD	E	1.00	1.00	\$42.56	\$42.56	Xu Cheng&Bao Lin
267 350 02 00	1.00	SFD	E	1.00	1.00	\$42.56	\$42.56	Cohan Family Trust 12-15-15
267 350 03 00	1.00	SFD	E	1.00	1.00	\$42.56	\$42.56	Jenkinson Family Trust 05-06-09
267 350 04 00	1.00	SFD	E	1.00	1.00	\$42.56	\$42.56	Huang Chun&Shi Yanrong
267 350 05 00	1.00	SFD	E	1.00	1.00	\$42.56	\$42.56	Kurani Nimish&Anupa Revocable Living Trust 08-15-2
267 350 06 00	1.00	SFD	E	1.00	1.00	\$42.56	\$42.56	Kong Ming
267 350 07 00	1.00	SFD	E	1.00	1.00	\$42.56	\$42.56	Park Jae Yong&Lee Ji Young
267 350 08 00	1.00	SFD	E	1.00	1.00	\$42.56	\$42.56	Ho Nancy P
267 350 09 00	1.00	SFD	E	1.00	1.00	\$42.56	\$42.56	Kenney Brett W&Kristina
267 350 10 00	1.00	SFD	E	1.00	1.00	\$42.56	\$42.56	Neely Mitchell R&Laura T
267 350 11 00	1.00	SFD	E	1.00	1.00	\$42.56	\$42.56	Dharwad Harsh&Singhal Monica
267 350 12 00	1.00	SFD	E	1.00	1.00	\$42.56	\$42.56	Lam Kent&Paola
267 350 13 00	1.00	SFD	E	1.00	1.00	\$42.56	\$42.56	Baccanari Patrick A&Melinda M
267 350 14 00	1.00	SFD	E	1.00	1.00	\$42.56	\$42.56	Caldwell Family Trust 02-12-19
267 350 15 00	1.00	SFD	E	1.00	1.00	\$42.56	\$42.56	Gao Hongfeng&Kong Lingjun
267 350 16 00	1.00	SFD	E	1.00	1.00	\$42.56	\$42.56	Weiss Joshua
267 350 17 00	1.00	SFD	E	1.00	1.00	\$42.56	\$42.56	Budd Margaret M Living Trust 04-22-92
267 350 18 00	1.00	SFD	E	1.00	1.00	\$42.56	\$42.56	Panda Prasanjit&Sarita
267 350 29 01	1.00	SFD	D	1.00	1.00	\$55.76	\$55.76	Chin Keith&Amory
267 350 29 02	1.00	SFD	D	1.00	1.00	\$55.76	\$55.76	Venugopal Anjaneya P B&Mallick Pankajini
267 350 30 01	1.00	SFD	D	1.00	1.00	\$55.76	\$55.76	Coleman Tara Living Trust 11-08-21
267 350 30 02	1.00	SFD	D	1.00	1.00	\$55.76	\$55.76	Maupin Jason D&Lori D
267 350 31 01	1.00	SFD	D	1.00	1.00	\$55.76	\$55.76	Morgan Russ&Olivier-Morgan Alexandra
267 350 31 02	1.00	SFD	D	1.00	1.00	\$55.76	\$55.76	Wilkerson Diane K
267 350 32 01	1.00	SFD	D	1.00	1.00	\$55.76	\$55.76	Smith Michael D&Kari J
267 350 32 02	1.00	SFD	D	1.00	1.00	\$55.76	\$55.76	Sharma Shriram&Chauhan Parul
267 350 33 01	1.00	SFD	D	1.00	1.00	\$55.76	\$55.76	Abulafia Lewis H Trust 06-30-14
267 350 33 02	1.00	SFD	D	1.00	1.00	\$55.76	\$55.76	Guo Jianqing
267 350 34 01	1.00	SFD	D	1.00	1.00	\$55.76	\$55.76	Kowal Gregory M&Shannon L
267 350 34 02	1.00	SFD	D	1.00	1.00	\$55.76	\$55.76	Deng&Li Family Trust 09-25-21
267 350 35 01	1.00	SFD	D	1.00	1.00	\$55.76	\$55.76	Wang Lifu&Xu Shan
267 350 35 02	1.00	SFD	D	1.00	1.00	\$55.76	\$55.76	Medvin Daniel N&Yang Xing
267 350 36 01	1.00	SFD	D	1.00	1.00	\$55.76	\$55.76	Taylor Graeme R&Christine K
267 350 36 02	1.00	SFD	D	1.00	1.00	\$55.76	\$55.76	Chavan Praveen&Gupta Sonal
267 350 37 01	1.00	SFD	D	1.00	1.00	\$55.76	\$55.76	Khatri Seth Family Revocable Trust 05-21-18
267 350 37 02	1.00	SFD	D	1.00	1.00	\$55.76	\$55.76	Liao Kai Hsin&Hsu Wan Chen
267 350 38 01	1.00	SFD	D	1.00	1.00	\$55.76	\$55.76	Nussbaum Joshua
267 350 38 02	1.00	SFD	D	1.00	1.00	\$55.76	\$55.76	Teeter Family Trust 07-27-12
267 350 39 00	1.00	SFD	D	1.00	1.00	\$55.76	\$55.76	Sayed Shamroze&Rizvi Zehra

EXHIBIT C - Assessment Roll (Fiscal Year 2024)

Black Mountain Ranch North Maintenance Assessment District

Parcel Number	Acres/ Units ⁽¹⁾	Land Use Code ⁽²⁾	Zone	Land Use Factor ⁽²⁾	Total EBU's	Unit Cost (\$/EBU)	FY 2024 ⁽³⁾ Assessment	Owner Name
267 350 40 00	1.00	SFD	D	1.00	1.00	\$55.76	\$55.76	Subbarayan Arul&Durai Indhu
267 350 41 00	1.00	SFD	D	1.00	1.00	\$55.76	\$55.76	Kelley Daniel C&Kelly O
267 350 42 00	1.00	SFD	D	1.00	1.00	\$55.76	\$55.76	Ganji Nagamalleswara R&Shashirekha Y
267 350 43 00	1.00	SFD	D	1.00	1.00	\$55.76	\$55.76	Davis Steven J&Oksana B Family Trust 03-20-09
267 350 44 00	1.00	SFD	D	1.00	1.00	\$55.76	\$55.76	Zhu Gary Zihua&Lin Pei-Hsin
267 350 45 00	1.00	SFD	D	1.00	1.00	\$55.76	\$55.76	Oboyle Intervivos Family Trust 06-05-90
267 350 46 00	1.00	SFD	D	1.00	1.00	\$55.76	\$55.76	Akula Prashanth&Smitha
267 350 47 00	1.00	SFD	D	1.00	1.00	\$55.76	\$55.76	Zunic Valentin&Jasmine Family Trust 02-10-220
267 350 48 00	1.00	SFD	D	1.00	1.00	\$55.76	\$55.76	Rigg Daynan Separate Property Trust 03-23-12
267 350 49 00	1.00	SFD	D	1.00	1.00	\$55.76	\$55.76	Vulupala Vinod&Chelimilla Haritha
267 350 50 00	1.00	SFD	D	1.00	1.00	\$55.76	\$55.76	Lnu Kaushik S&Mohan Anuradha
267 350 51 01	1.00	SFD	D	1.00	1.00	\$55.76	\$55.76	Smith Thomas&Loura Family Trust 02-07-19
267 350 51 02	1.00	SFD	D	1.00	1.00	\$55.76	\$55.76	Askari Kamran
267 350 52 00	1.00	SFD	D	1.00	1.00	\$55.76	\$55.76	Lock David&Theresa Living Trust 01-21-02
267 350 53 00	1.00	SFD	D	1.00	1.00	\$55.76	\$55.76	Still Family Trust 04-27-00
267 350 54 00	1.00	SFD	D	1.00	1.00	\$55.76	\$55.76	Ye Ming&Li Wenlin
267 350 55 00	1.00	SFD	D	1.00	1.00	\$55.76	\$55.76	Jackson Daryl&Breanna
267 350 56 00	1.00	SFD	D	1.00	1.00	\$55.76	\$55.76	Huang Teng Family Trust 03-31-17
267 350 57 00	1.00	SFD	D	1.00	1.00	\$55.76	\$55.76	Ansari Assad&Kausar Naheed
267 350 58 00	0.21	STR	D	0.00	0.00	\$55.76	\$0.00	Del Sur Community Association
267 350 59 00	0.31	STR	D	0.00	0.00	\$55.76	\$0.00	Del Sur Community Assn
267 350 60 00	0.35	STR	E	0.00	0.00	\$42.56	\$0.00	Del Sur Community Assn
267 350 61 00	0.21	STR	E	0.00	0.00	\$42.56	\$0.00	Delsur Community Assn
267 350 62 00	0.05	STR	D	0.00	0.00	\$55.76	\$0.00	Del Sur Community Assn
267 350 63 00	1.00	SFD	E	1.00	1.00	\$42.56	\$42.56	Saravgi Family Trust 12-10-21
267 350 64 00	1.00	SFD	E	1.00	1.00	\$42.56	\$42.56	Sastrula Trust 05-27-22
267 350 65 00	1.00	SFD	E	1.00	1.00	\$42.56	\$42.56	Oltikar Akhil&Bhatia Anisha
267 350 66 00	1.00	SFD	E	1.00	1.00	\$42.56	\$42.56	Kwon Oh Hyung&Shin Hee Sun
267 350 67 00	1.00	SFD	E	1.00	1.00	\$42.56	\$42.56	Sidulwar Rajkiran&Vennamaneni Vinuthna
267 350 68 00	1.00	SFD	E	1.00	1.00	\$42.56	\$42.56	Bovshow Family Trust 05-03-13
267 350 69 00	1.00	SFD	E	1.00	1.00	\$42.56	\$42.56	Song Danny&Kristine
267 350 70 00	1.00	SFD	E	1.00	1.00	\$42.56	\$42.56	Abboud Family Trust 07-03-17
267 350 71 00	1.00	SFD	E	1.00	1.00	\$42.56	\$42.56	Dominguez Gerardo&Casey Family Trust 02-20-15
267 350 72 00	1.00	SFD	E	1.00	1.00	\$42.56	\$42.56	Ramamurthy Diwakar&Srinivasan Srimeenakshi
267 350 73 00	1.00	SFD	E	1.00	1.00	\$42.56	\$42.56	Ganatra Miten V&Ruchi M
267 350 74 00	1.00	SFD	E	1.00	1.00	\$42.56	\$42.56	Murakawa-Mitnick 2010 Family Trust 11-19-10
267 350 75 00	1.00	SFD	E	1.00	1.00	\$42.56	\$42.56	Deshatty Shashank&Deepa
267 350 76 00	1.00	SFD	E	1.00	1.00	\$42.56	\$42.56	Bhaskara Aravind&Kalaga Bhanu P
267 350 77 00	1.00	SFD	E	1.00	1.00	\$42.56	\$42.56	Ward Brian&Michelle
267 350 78 00	1.00	SFD	E	1.00	1.00	\$42.56	\$42.56	Chandrasekaran Shiva R&Radhakrishnan Ramya
267 350 79 00	1.00	SFD	E	1.00	1.00	\$42.56	\$42.56	Hameed Hafiz I&Saeed Asma
267 350 80 00	1.00	SFD	E	1.00	1.00	\$42.56	\$42.56	Topolovac Robert F&Eleanor R Trust 02-25-92
267 350 81 00	1.00	SFD	E	1.00	1.00	\$42.56	\$42.56	Tongle Family Living Trust 05-31-18
267 350 82 00	1.00	SFD	E	1.00	1.00	\$42.56	\$42.56	Ramirez Alfredo&Courtney
267 360 01 00	1.00	SFD	E	1.00	1.00	\$42.56	\$42.56	Arimoto Mark K&Ryu Grace
267 360 02 00	1.00	SFD	E	1.00	1.00	\$42.56	\$42.56	Sadri Reza&Afsaneh Sofia
267 360 03 00	1.00	SFD	E	1.00	1.00	\$42.56	\$42.56	Aronne Jason&Kunal
267 360 04 00	1.00	SFD	E	1.00	1.00	\$42.56	\$42.56	Brumit Matthew R&Samantha M
267 360 05 00	1.00	SFD	E	1.00	1.00	\$42.56	\$42.56	Lasasso Cheryl
267 360 06 00	1.00	SFD	E	1.00	1.00	\$42.56	\$42.56	Yu Sang Cheol&Kang Sung Hee
267 360 07 00	1.00	SFD	E	1.00	1.00	\$42.56	\$42.56	Rangasamy Saravanan M&Rajaram Prathibha M
267 360 08 00	1.00	SFD	E	1.00	1.00	\$42.56	\$42.56	Kanouse Keith&Monique
267 360 09 00	1.00	SFD	E	1.00	1.00	\$42.56	\$42.56	Koenig Steven F&Dana
267 360 10 00	1.00	SFD	E	1.00	1.00	\$42.56	\$42.56	Kohli Parmeet&Aneet K
267 360 11 00	1.00	SFD	E	1.00	1.00	\$42.56	\$42.56	Heaverlo Christopher J&Jennifer A
267 360 12 00	1.00	SFD	E	1.00	1.00	\$42.56	\$42.56	Joshi Sumeet&Anamika S
267 360 13 00	1.00	SFD	E	1.00	1.00	\$42.56	\$42.56	Ye Tao&Liu Yanzheng
267 360 14 00	1.00	SFD	E	1.00	1.00	\$42.56	\$42.56	Desai Pranav&Mody Avani
267 360 15 00	1.00	SFD	E	1.00	1.00	\$42.56	\$42.56	Obulasetty Durgaprasad&Thatha Gnana P

EXHIBIT C - Assessment Roll (Fiscal Year 2024)

Black Mountain Ranch North Maintenance Assessment District

Parcel Number	Acres/ Units ⁽¹⁾	Land Use Code ⁽²⁾	Zone	Land Use Factor ⁽²⁾	Total EBUs	Unit Cost (\$/Ebu)	FY 2024 ⁽³⁾ Assessment	Owner Name
267 360 16 00	1.00	SFD	E	1.00	1.00	\$42.56	\$42.56	Quijada Luis A&Contreras Maria M
267 360 17 00	1.00	SFD	E	1.00	1.00	\$42.56	\$42.56	Stripe Revocable Trust 09-24-96
267 360 18 00	1.00	SFD	E	1.00	1.00	\$42.56	\$42.56	Samuelson Alex T&Kelsie S
267 360 19 00	1.00	SFD	E	1.00	1.00	\$42.56	\$42.56	Adem Ghanshyam&Mrunalini
267 360 20 00	1.00	SFD	E	1.00	1.00	\$42.56	\$42.56	Askenazi Eyal
267 360 21 00	1.00	SFD	E	1.00	1.00	\$42.56	\$42.56	Luo&Li Family Trust
267 360 22 00	1.00	SFD	E	1.00	1.00	\$42.56	\$42.56	Van-Chin Community Property Trust 08-16-17
267 360 23 00	1.00	SFD	E	1.00	1.00	\$42.56	\$42.56	Hu Bo
267 360 24 00	1.00	SFD	E	1.00	1.00	\$42.56	\$42.56	Bird Lawrence H Iii&Julianne N
267 360 25 00	1.00	SFD	E	1.00	1.00	\$42.56	\$42.56	Harsch Family Living Trust 03-23-21
267 360 26 00	1.00	SFD	E	1.00	1.00	\$42.56	\$42.56	Hoong Nien Cong&Szeto Sheirman Family Trust 06-12-
267 360 27 00	1.00	SFD	E	1.00	1.00	\$42.56	\$42.56	Singiresu Suresh Babu&Damarla Rajani
267 360 28 00	1.00	SFD	E	1.00	1.00	\$42.56	\$42.56	Espino Steve&Sandra L
267 360 29 00	1.00	SFD	E	1.00	1.00	\$42.56	\$42.56	Gandhi Krupal&Kruti
267 360 30 00	1.00	SFD	E	1.00	1.00	\$42.56	\$42.56	Clements Adam&Theresa
267 360 31 00	1.00	SFD	E	1.00	1.00	\$42.56	\$42.56	Labarrere Brent&Ginny
267 360 32 00	1.00	SFD	E	1.00	1.00	\$42.56	\$42.56	Hayes Ruth F Trust 03-28-96
267 360 33 00	1.00	SFD	E	1.00	1.00	\$42.56	\$42.56	Chin Hsiao-Yi&Lin Annie I Chun
267 360 34 00	1.00	SFD	E	1.00	1.00	\$42.56	\$42.56	Zhai Yufeng&Zhang Hong
267 360 35 00	1.00	SFD	E	1.00	1.00	\$42.56	\$42.56	Ganji Vinay G
267 360 36 00	1.00	SFD	E	1.00	1.00	\$42.56	\$42.56	Norman Family Living Trust 02-18-17
267 360 37 00	1.00	SFD	E	1.00	1.00	\$42.56	\$42.56	Nasci Family Trust 12-19-18
267 360 38 00	1.00	SFD	E	1.00	1.00	\$42.56	\$42.56	Mitchell Brianna Revocable Trust
267 360 39 00	1.00	SFD	E	1.00	1.00	\$42.56	\$42.56	Kurth Christian A&Taylor M
267 360 40 00	1.00	SFD	E	1.00	1.00	\$42.56	\$42.56	Kulkarni Saurabh S&Priyanka S
267 360 41 00	1.00	SFD	E	1.00	1.00	\$42.56	\$42.56	Shultz Susan Trust 08-08-17
267 360 42 00	1.00	SFD	E	1.00	1.00	\$42.56	\$42.56	Halls Tricia G&Mathew D 2011 Revocable Living Trus
267 360 43 00	1.00	SFD	E	1.00	1.00	\$42.56	\$42.56	Theberge Gaston&Barbara A
267 360 44 00	1.00	SFD	E	1.00	1.00	\$42.56	\$42.56	Mueller Family Trust 01-26-18
267 360 45 00	1.00	SFD	E	1.00	1.00	\$42.56	\$42.56	Narayanaswamy Nagesh&Nagesh Bharathi
267 360 46 00	1.00	SFD	E	1.00	1.00	\$42.56	\$42.56	Vyas Deepak J&Rinku D
267 360 47 00	1.00	SFD	E	1.00	1.00	\$42.56	\$42.56	George Robert
267 360 48 00	1.00	SFD	E	1.00	1.00	\$42.56	\$42.56	Reiter Family Trust 04-10-02
267 360 49 00	1.00	SFD	E	1.00	1.00	\$42.56	\$42.56	Huang Diana Di
267 360 50 00	1.00	SFD	E	1.00	1.00	\$42.56	\$42.56	Wallace Family Trust 08-18-17
267 360 51 00	1.00	SFD	E	1.00	1.00	\$42.56	\$42.56	Kim Jungjoon&Shin Eun Young
267 360 52 00	1.00	SFD	E	1.00	1.00	\$42.56	\$42.56	Truong Vien
267 360 53 00	1.00	SFD	E	1.00	1.00	\$42.56	\$42.56	Levy Family 2014 Trust 09-23-14
267 360 54 00	1.00	SFD	E	1.00	1.00	\$42.56	\$42.56	Iamele Sommer M&Damon A
267 360 55 00	1.00	SFD	E	1.00	1.00	\$42.56	\$42.56	Seksaria Arpit&Apama
267 360 56 00	1.00	SFD	E	1.00	1.00	\$42.56	\$42.56	Park Jin Myung&Shon Eun Ha
267 360 57 00	1.00	SFD	E	1.00	1.00	\$42.56	\$42.56	Ferry Michael S
267 360 58 00	1.00	SFD	E	1.00	1.00	\$42.56	\$42.56	Case Christopher J&Mesri Sahar M
267 360 59 00	1.00	SFD	E	1.00	1.00	\$42.56	\$42.56	Casto Hans&Ayumi
267 360 60 00	1.00	SFD	E	1.00	1.00	\$42.56	\$42.56	Hampton Family Trust
267 360 61 00	1.00	SFD	E	1.00	1.00	\$42.56	\$42.56	Ripley Robert Jr&Alison
267 360 62 00	1.00	SFD	E	1.00	1.00	\$42.56	\$42.56	S&S Family Trust 11-11-11
267 360 63 00	1.00	SFD	E	1.00	1.00	\$42.56	\$42.56	Barlow Family Trust 06-01-22
267 360 64 00	1.00	SFD	E	1.00	1.00	\$42.56	\$42.56	Wilson Jeffrey&Jeanne
267 360 65 00	1.00	SFD	E	1.00	1.00	\$42.56	\$42.56	Lee Ho-Jhin&Yoon Family Trust 09-19-16
267 360 66 00	1.00	SFD	E	1.00	1.00	\$42.56	\$42.56	Suri Arjun&Megha
267 360 67 00	1.00	SFD	E	1.00	1.00	\$42.56	\$42.56	Ruan Willie&Huang Helen Family Trust 02-11-09
267 360 68 00	1.00	SFD	E	1.00	1.00	\$42.56	\$42.56	Csuja Gilbert M&Monica
267 360 69 00	1.00	SFD	E	1.00	1.00	\$42.56	\$42.56	Bickler Stephen W&Clare K Family Trust 07-26-16
267 360 70 00	1.00	SFD	E	1.00	1.00	\$42.56	\$42.56	Matthews Stephen T&Kathryn V Family Revocable Inte
267 360 71 00	1.00	SFD	E	1.00	1.00	\$42.56	\$42.56	Reinhard Andreas M&Cindy S
267 360 72 00	1.00	SFD	E	1.00	1.00	\$42.56	\$42.56	Rinderknecht William J&Stephanie
267 360 73 00	1.00	SFD	E	1.00	1.00	\$42.56	\$42.56	Bhatt Suhrid H&Kumkum M
267 360 74 00	1.72	STR	E	0.00	0.00	\$42.56	\$0.00	Del Sur Community Association

EXHIBIT C - Assessment Roll (Fiscal Year 2024)

Black Mountain Ranch North Maintenance Assessment District

Parcel Number	Acres/ Units ⁽¹⁾	Land Use Code ⁽²⁾	Zone	Land Use Factor ⁽²⁾	Total EBU's	Unit Cost (\$/EBU)	FY 2024 ⁽³⁾ Assessment	Owner Name
267 360 75 00	0.32	STR	E	0.00	0.00	\$42.56	\$0.00	Del Sur Community Assn
267 360 76 00	0.32	STR	E	0.00	0.00	\$42.56	\$0.00	Del Sur Community Assn
267 360 77 00	1.48	PKU	E	0.50	0.74	\$42.56	\$31.48	Del Sur Community Association
267 360 78 00	0.01	OSP	E	0.00	0.00	\$42.56	\$0.00	Del Sur Community Assn
267 360 79 00	0.08	OSP	E	0.00	0.00	\$42.56	\$0.00	Del Sur Community Association
267 360 80 00	0.20	OSP	E	0.00	0.00	\$42.56	\$0.00	Del Sur Community Association
267 360 81 00	0.03	OSP	E	0.00	0.00	\$42.56	\$0.00	Del Sur Community Assn
267 360 82 00	0.03	OSP	E	0.00	0.00	\$42.56	\$0.00	Del Sur Community Assn
267 360 83 00	1.83	OSP	E	0.00	0.00	\$42.56	\$0.00	Del Sur Community Assn
267 360 84 00	1.91	PKU	E	0.50	0.96	\$42.56	\$40.64	Del Sur Community Association
267 361 01 00	1.00	SFD	E	1.00	1.00	\$42.56	\$42.56	Wilson Quiros Family Living Trust 10-14-11
267 361 02 00	1.00	SFD	E	1.00	1.00	\$42.56	\$42.56	Peerbolte Gregory J Revocable Trust 07-29-21
267 361 03 00	1.00	SFD	E	1.00	1.00	\$42.56	\$42.56	Liu Yi&Li Xuan
267 361 04 00	1.00	SFD	E	1.00	1.00	\$42.56	\$42.56	Chao Edward C&Sarah K
267 361 05 00	1.00	SFD	E	1.00	1.00	\$42.56	\$42.56	Keske Fred&Truong Thuy Family Trust 07-14-22
267 361 06 00	1.00	SFD	E	1.00	1.00	\$42.56	\$42.56	Bender Family Trust 08-15-03
267 361 07 00	1.00	SFD	E	1.00	1.00	\$42.56	\$42.56	Baini Family Trust 01-27-17
267 361 08 00	1.00	SFD	E	1.00	1.00	\$42.56	\$42.56	Tsai Michael&Lin Michelle
267 361 09 00	1.00	SFD	E	1.00	1.00	\$42.56	\$42.56	Pacheco Family Trust 12-09-20
267 361 10 00	1.00	SFD	E	1.00	1.00	\$42.56	\$42.56	Dowling Joseph D
267 361 11 00	1.00	SFD	E	1.00	1.00	\$42.56	\$42.56	Laperle Gary R Trust 04-27-17
267 361 12 00	1.00	SFD	E	1.00	1.00	\$42.56	\$42.56	Milazzo Paul A Revocable Trust 11-04-15
267 361 13 00	1.00	SFD	E	1.00	1.00	\$42.56	\$42.56	Meijers Family Trust 06-05-14
267 361 14 00	1.00	SFD	E	1.00	1.00	\$42.56	\$42.56	Vakil Ishfan&Buchh Shimayla
267 361 15 00	1.00	SFD	E	1.00	1.00	\$42.56	\$42.56	Walton Christopher&Shauna Trust 06-14-16
267 361 16 00	1.00	SFD	E	1.00	1.00	\$42.56	\$42.56	Hernandez Christopher&Ana Family Trust
267 361 17 00	1.00	SFD	E	1.00	1.00	\$42.56	\$42.56	Stein Family Trust 06-24-07
267 361 18 00	1.00	SFD	E	1.00	1.00	\$42.56	\$42.56	Chan Harold H&Gaviola-Chan Tina M
267 361 19 00	1.00	SFD	E	1.00	1.00	\$42.56	\$42.56	Speros Family Trust 05-20-19
267 361 20 00	1.00	SFD	E	1.00	1.00	\$42.56	\$42.56	Youngflesh Family Trust 02-23-02
267 361 21 00	1.00	SFD	E	1.00	1.00	\$42.56	\$42.56	Zheng Xiping&Chen Xiaoping
267 361 22 00	1.00	SFD	E	1.00	1.00	\$42.56	\$42.56	Mohan Madav S M&Kumar Aparna
267 361 23 00	1.00	SFD	E	1.00	1.00	\$42.56	\$42.56	Gul Bahadir&Meltem S
267 361 24 00	1.00	SFD	E	1.00	1.00	\$42.56	\$42.56	Arp Ramezani Family Trust 04-25-14
267 361 25 00	1.00	SFD	E	1.00	1.00	\$42.56	\$42.56	Campbell Brian E&Kelly
267 361 26 00	1.00	SFD	E	1.00	1.00	\$42.56	\$42.56	Selaru Paulina
267 361 27 00	1.00	SFD	E	1.00	1.00	\$42.56	\$42.56	Patel Ashish&Jignasa
267 361 28 00	1.00	SFD	E	1.00	1.00	\$42.56	\$42.56	Hayes Casey T&Kristi Revocable 2015 Trust 03-06-15
267 361 29 00	1.00	SFD	E	1.00	1.00	\$42.56	\$42.56	Bramble Mark A&Powell Julia A
267 361 30 00	1.00	SFD	E	1.00	1.00	\$42.56	\$42.56	Reyes Kevin&Alexa Family Trust 10-05-22
267 361 31 00	1.00	SFD	E	1.00	1.00	\$42.56	\$42.56	Svetlik Robert S&Larmie M Living 2014 Trust 12-30-
267 361 32 00	1.00	SFD	E	1.00	1.00	\$42.56	\$42.56	Angelly Kenneth A&Tracy S
267 361 33 00	1.00	SFD	E	1.00	1.00	\$42.56	\$42.56	Scalzo Evan&Katherine Trust 06-22-22
267 361 34 00	1.00	SFD	E	1.00	1.00	\$42.56	\$42.56	Faul Patrick B&Kholanian-Faul Sylva
267 361 35 00	1.00	SFD	E	1.00	1.00	\$42.56	\$42.56	Hua Jun&Li Jun
267 361 36 00	1.00	SFD	E	1.00	1.00	\$42.56	\$42.56	Zhao Catherine Pu
267 361 37 00	1.00	SFD	E	1.00	1.00	\$42.56	\$42.56	Thotakura Sunil K&Baweja Preeti
267 361 38 00	1.00	SFD	E	1.00	1.00	\$42.56	\$42.56	Rose Family Survivors Trust 10-06-71
267 361 39 00	1.00	SFD	E	1.00	1.00	\$42.56	\$42.56	Ida Family Revocable Trust 01-27-09
267 361 40 00	1.00	SFD	E	1.00	1.00	\$42.56	\$42.56	Grimes Family Trust 03-10-22
267 361 41 00	1.00	SFD	E	1.00	1.00	\$42.56	\$42.56	Nicol Maija C
267 361 42 00	1.00	SFD	E	1.00	1.00	\$42.56	\$42.56	Kim Kyungil&Shin Minyoung
267 361 43 00	1.00	SFD	E	1.00	1.00	\$42.56	\$42.56	Tseng Yi-Hung&Chou Jaime
267 361 44 00	1.00	SFD	E	1.00	1.00	\$42.56	\$42.56	Samudrala-Gupta Family Trust 10-29-21
267 361 45 00	1.00	SFD	E	1.00	1.00	\$42.56	\$42.56	Zygelman Jonathan&Nasraty Farah
267 361 46 00	1.00	SFD	E	1.00	1.00	\$42.56	\$42.56	Jaiswal Family Trust 02-22-19
267 361 47 00	1.00	SFD	E	1.00	1.00	\$42.56	\$42.56	Le Richard N&Christina S
267 361 48 00	1.00	SFD	E	1.00	1.00	\$42.56	\$42.56	Ahuja Sandeep&Sonia
267 361 49 00	1.00	SFD	E	1.00	1.00	\$42.56	\$42.56	Harinathan&Swapna Family Trust 06-01-18

EXHIBIT C - Assessment Roll (Fiscal Year 2024)

Black Mountain Ranch North Maintenance Assessment District

Parcel Number	Acres/ Units ⁽¹⁾	Land Use Code ⁽²⁾	Zone	Land Use Factor ⁽²⁾	Total EBUs	Unit Cost (\$/EBU)	FY 2024 ⁽³⁾ Assessment	Owner Name
267 361 50 00	1.00	SFD	E	1.00	1.00	\$42.56	\$42.56	Schraven Family Trust 01-10-13
267 361 51 00	1.00	SFD	E	1.00	1.00	\$42.56	\$42.56	Carneal David
267 361 52 00	1.00	SFD	E	1.00	1.00	\$42.56	\$42.56	Seideman G D Trust 06-30-11
267 361 53 00	1.00	SFD	E	1.00	1.00	\$42.56	\$42.56	Jung Sungwook&Michelle
267 361 54 00	1.00	SFD	E	1.00	1.00	\$42.56	\$42.56	Chen Ming Chun&Ren Zhi
267 361 55 00	1.00	SFD	E	1.00	1.00	\$42.56	\$42.56	Asgari Mohammad A&Fereshteh Revocable Living Trust
267 361 56 00	1.00	SFD	E	1.00	1.00	\$42.56	\$42.56	Lau Kelvin Hok&King Ya-Ling
267 361 57 00	1.00	SFD	E	1.00	1.00	\$42.56	\$42.56	Estrada Lindsay R&Justina M
267 361 58 00	1.00	SFD	E	1.00	1.00	\$42.56	\$42.56	Trivedi Riddhish&Tejus Living Trust 01-05-16
267 361 59 00	1.00	SFD	E	1.00	1.00	\$42.56	\$42.56	Sharma Trust 03-03-22
267 361 60 00	0.15	STR	E	0.00	0.00	\$42.56	\$0.00	Del Sur Community Assn
267 361 61 00	0.71	PKU	E	0.50	0.36	\$42.56	\$15.10	Del Sur Community Association
267 361 63 00	0.05	OSP	E	0.00	0.00	\$42.56	\$0.00	Del Sur Community Assn
267 361 64 00	0.15	OSP	E	0.00	0.00	\$42.56	\$0.00	Del Sur Community Assn
267 361 65 00	0.03	OSP	E	0.00	0.00	\$42.56	\$0.00	Del Sur Community Assn
267 361 66 00	0.20	OSP	E	0.00	0.00	\$42.56	\$0.00	Black Mountain Ranch L L C
267 361 67 00	0.37	OSP	E	0.00	0.00	\$42.56	\$0.00	Del Sur Community Assn
267 362 01 00	1.00	SFD	E	1.00	1.00	\$42.56	\$42.56	Kaechele Joshua J&Kelly H
267 362 02 00	1.00	SFD	E	1.00	1.00	\$42.56	\$42.56	Mincey Miller Living Trust 03-18-22
267 362 03 00	1.00	SFD	E	1.00	1.00	\$42.56	\$42.56	Mccluer Family Living Trust 07-09-12
267 362 04 00	1.00	SFD	E	1.00	1.00	\$42.56	\$42.56	Millett Nicole K Separate Property Trust 10-17-12
267 362 05 00	1.00	SFD	E	1.00	1.00	\$42.56	\$42.56	Vo Khanh&Dinh Bao Tram
267 362 06 00	1.00	SFD	E	1.00	1.00	\$42.56	\$42.56	Im 2008 Family Trust
267 362 07 00	1.00	SFD	E	1.00	1.00	\$42.56	\$42.56	Haripotepornkul Cy&Nora H
267 362 08 00	1.00	SFD	E	1.00	1.00	\$42.56	\$42.56	Zhu Zhengbo&Yu Qiuyu
267 362 09 00	1.00	SFD	E	1.00	1.00	\$42.56	\$42.56	Oteri Kome&Woniyi-Oteri Lola A Trust 09-11-20
267 362 10 00	1.00	SFD	E	1.00	1.00	\$42.56	\$42.56	Pei James&Ma Li-Chen
267 362 11 00	1.00	SFD	E	1.00	1.00	\$42.56	\$42.56	Woodruff James
267 362 12 00	1.00	SFD	E	1.00	1.00	\$42.56	\$42.56	Xing Hongtao&Fu Peilin
267 362 13 00	1.00	SFD	E	1.00	1.00	\$42.56	\$42.56	Humeau Laurent&Ni Yajin
267 362 14 00	1.00	SFD	E	1.00	1.00	\$42.56	\$42.56	Vo Dang Minh&Katie Lee A B Living Trust
267 362 15 00	1.00	SFD	E	1.00	1.00	\$42.56	\$42.56	Schaathun Espen&Cecilie
267 362 16 00	1.00	SFD	E	1.00	1.00	\$42.56	\$42.56	Lam Vincent&Candace Family Trust 06-13-18
267 362 17 00	1.00	SFD	E	1.00	1.00	\$42.56	\$42.56	Wang Wendy Revocable Trust 05-12-09
267 362 18 00	1.00	SFD	E	1.00	1.00	\$42.56	\$42.56	Jundt Family Trust 07-21-15
267 362 19 00	1.00	SFD	E	1.00	1.00	\$42.56	\$42.56	Margro Michael&Susan Revocable Trust 06-20-16
267 362 20 00	1.00	SFD	E	1.00	1.00	\$42.56	\$42.56	Ridge Trust 08-28-13
267 362 21 00	1.00	SFD	E	1.00	1.00	\$42.56	\$42.56	Shalon Kevin&Samantha
267 362 22 00	1.00	SFD	E	1.00	1.00	\$42.56	\$42.56	Como Revocable Trust 01-05-21
267 362 23 00	1.00	SFD	E	1.00	1.00	\$42.56	\$42.56	Lamont Lawrence W Jr&Erika L
267 362 24 00	1.00	SFD	E	1.00	1.00	\$42.56	\$42.56	Baranov Trust 05-14-13
267 362 25 00	1.00	SFD	E	1.00	1.00	\$42.56	\$42.56	Benoit Michael&Stephanie
267 362 26 00	1.00	SFD	E	1.00	1.00	\$42.56	\$42.56	Khandelwal Girish&Pharkya Priti
267 362 27 00	1.00	SFD	E	1.00	1.00	\$42.56	\$42.56	Viana Family Trust 07-12-07
267 362 28 00	1.00	SFD	E	1.00	1.00	\$42.56	\$42.56	Dang Hai&Nguyen Thao
267 362 29 00	1.00	SFD	E	1.00	1.00	\$42.56	\$42.56	Zhou Minhua&Yu Yanqing
267 362 30 00	1.00	SFD	E	1.00	1.00	\$42.56	\$42.56	Sundar Family Trust 04-14-17
267 362 31 00	1.00	SFD	E	1.00	1.00	\$42.56	\$42.56	Gannon Joseph P&Morgan-Gannon Sally Living Trust 0
267 362 32 00	1.00	SFD	E	1.00	1.00	\$42.56	\$42.56	Michael Jeffrey&Cynthia
267 362 33 00	1.00	SFD	E	1.00	1.00	\$42.56	\$42.56	Warner Nicholas&Shweta
267 362 34 00	1.00	SFD	E	1.00	1.00	\$42.56	\$42.56	Williams Family Trust 05-02-13
267 362 35 00	1.00	SFD	E	1.00	1.00	\$42.56	\$42.56	Lelievre Nicolas&Sophie
267 362 36 00	1.00	SFD	E	1.00	1.00	\$42.56	\$42.56	P T S G Trust 01-14-22
267 362 37 00	1.00	SFD	E	1.00	1.00	\$42.56	\$42.56	Welch Family Trust 05-10-19
267 362 38 00	1.00	SFD	E	1.00	1.00	\$42.56	\$42.56	Stevens Lori A Revocable Family Trust 02-11-16
267 362 39 00	1.00	SFD	E	1.00	1.00	\$42.56	\$42.56	Mccourt Family Living Trust 04-04-22
267 362 40 00	1.00	SFD	E	1.00	1.00	\$42.56	\$42.56	Barker Jessica Arevocable Living Trust 10-29-20
267 362 41 00	1.00	SFD	E	1.00	1.00	\$42.56	\$42.56	Carlson Roy L&Lidstrom Judy
267 362 42 00	1.00	SFD	E	1.00	1.00	\$42.56	\$42.56	Tafreshi Ali&Mayra

EXHIBIT C - Assessment Roll (Fiscal Year 2024)

Black Mountain Ranch North Maintenance Assessment District

Parcel Number	Acres/ Units ⁽¹⁾	Land Use Code ⁽²⁾	Zone	Land Use Factor ⁽²⁾	Total EBUs	Unit Cost (\$/Ebu)	FY 2024 ⁽³⁾ Assessment	Owner Name
267 362 43 00	1.00	SFD	E	1.00	1.00	\$42.56	\$42.56	Mojaver Family Trust 09-26-00
267 362 44 00	1.00	SFD	E	1.00	1.00	\$42.56	\$42.56	Ngo Albert Minh&Jennifer Chen
267 362 45 00	1.00	SFD	E	1.00	1.00	\$42.56	\$42.56	Scott Trust 07-20-21
267 362 46 00	1.00	SFD	E	1.00	1.00	\$42.56	\$42.56	Murphy Family Trust 10-21-00
267 362 47 00	1.00	SFD	E	1.00	1.00	\$42.56	\$42.56	Rahul Nair Trust 12-19-18
267 362 48 00	1.00	SFD	E	1.00	1.00	\$42.56	\$42.56	Wilson Brian M&Sarah J
267 362 49 00	1.00	SFD	E	1.00	1.00	\$42.56	\$42.56	Cheng Family 2022 Living Trust 05-18-22
267 362 50 00	1.00	SFD	E	1.00	1.00	\$42.56	\$42.56	Zhou Zhengyu&Zhu Min
267 362 51 00	1.00	SFD	E	1.00	1.00	\$42.56	\$42.56	Shrader Adam&Lauren Family Trust 10-16-14
267 362 52 00	1.00	SFD	E	1.00	1.00	\$42.56	\$42.56	Ferrara Giovanni
267 362 53 00	1.00	SFD	E	1.00	1.00	\$42.56	\$42.56	Cerasuolo Anthony&Jacquelyn Trust 02-03-11
267 362 54 00	1.00	SFD	E	1.00	1.00	\$42.56	\$42.56	Westphal-Siblesz Family Trust 03-29-99
267 362 55 00	1.00	SFD	E	1.00	1.00	\$42.56	\$42.56	Hossain Asif&Hussain Naila
267 362 56 00	1.00	SFD	E	1.00	1.00	\$42.56	\$42.56	Assi Family Trust 02-16-17
267 362 57 00	0.08	STR	E	0.00	0.00	\$42.56	\$0.00	Del Sur Community Assn
267 362 58 00	1.52	STR	E	0.00	0.00	\$42.56	\$0.00	Del Sur Community Association
267 362 59 00	0.10	STR	E	0.00	0.00	\$42.56	\$0.00	Del Sur Community Assn
267 362 60 00	0.16	STR	E	0.00	0.00	\$42.56	\$0.00	Del Sur Community Assn
267 362 61 00	0.35	OSP	E	0.00	0.00	\$42.56	\$0.00	Black Mountain Ranch L L C
267 362 62 00	1.14	OSP	E	0.00	0.00	\$42.56	\$0.00	Del Sur Community Assn
267 362 63 00	0.05	OSP	E	0.00	0.00	\$42.56	\$0.00	Del Sur Community Assn
267 362 64 00	0.10	OSP	E	0.00	0.00	\$42.56	\$0.00	Del Sur Community Assn
267 362 65 00	0.35	STR	E	0.00	0.00	\$42.56	\$0.00	Del Sur Community Assn
267 363 01 00	1.00	SFD	E	1.00	1.00	\$42.56	\$42.56	Sidhwa Farhad&Fehiz
267 363 02 00	1.00	SFD	E	1.00	1.00	\$42.56	\$42.56	Hsu Family Trust 10-19-17
267 363 03 00	1.00	SFD	E	1.00	1.00	\$42.56	\$42.56	Lai Mitchell&Michelle
267 363 04 00	1.00	SFD	E	1.00	1.00	\$42.56	\$42.56	Tellers Family Trust 09-30-19
267 363 05 00	1.00	SFD	E	1.00	1.00	\$42.56	\$42.56	Quinlan Thomas&Tyler
267 363 06 00	1.00	SFD	E	1.00	1.00	\$42.56	\$42.56	Mccarthy Family 2019 Living Trust 02-19-19
267 363 07 00	1.00	SFD	E	1.00	1.00	\$42.56	\$42.56	Albert Francis&Amanda
267 363 08 00	1.00	SFD	E	1.00	1.00	\$42.56	\$42.56	Gebhard Derek&Christa
267 363 21 00	1.10	OSP	E	0.00	0.00	\$42.56	\$0.00	Black Mountain Ranch L L C
267 363 23 00	1.00	SFD	E	1.00	1.00	\$42.56	\$42.56	Ramjit Martin&Sirpa
267 363 24 00	1.00	SFD	E	1.00	1.00	\$42.56	\$42.56	Gounder Sivaraman K
267 363 25 00	1.00	SFD	E	1.00	1.00	\$42.56	\$42.56	Riegle Donald W&Hansen-Riegle Lori
267 363 26 00	1.00	SFD	E	1.00	1.00	\$42.56	\$42.56	S R Family Trust 09-13-18
267 363 27 00	1.00	SFD	E	1.00	1.00	\$42.56	\$42.56	Ruch&Hyun Family Trust 11-16-17
267 363 28 00	1.00	SFD	E	1.00	1.00	\$42.56	\$42.56	Kristensen Vebjom&Peggy J
267 363 29 00	1.00	SFD	E	1.00	1.00	\$42.56	\$42.56	Dubov-Zamansky Trust 05-29-14
267 363 30 00	1.00	SFD	E	1.00	1.00	\$42.56	\$42.56	Godoski Jan L Jr&Chan Wai Yin
267 363 31 00	1.00	SFD	E	1.00	1.00	\$42.56	\$42.56	Eisenberg Elyse&Steven Family Trust 07-31-22
267 363 32 00	1.00	SFD	E	1.00	1.00	\$42.56	\$42.56	Milliron John R&Christine N
267 363 33 00	0.23	OSP	E	0.00	0.00	\$42.56	\$0.00	Del Sur Community Association
267 363 34 00	2.54	OSP	E	0.00	0.00	\$42.56	\$0.00	Del Sur Community Association
267 363 35 00	0.15	STR	E	0.00	0.00	\$42.56	\$0.00	Del Sur Community Association
267 364 01 00	1.00	SFD	E	1.00	1.00	\$42.56	\$42.56	Pircher Tony J&Parinaz Trust 11-10-05
267 364 08 00	1.00	SFD	E	1.00	1.00	\$42.56	\$42.56	Fields Bradford B
267 364 09 00	1.00	SFD	E	1.00	1.00	\$42.56	\$42.56	Jacobi Gregory&Elizabeth
267 364 16 00	1.00	SFD	E	1.00	1.00	\$42.56	\$42.56	Schramm Kevin&Stacey L Living Trust 04-18-12
267 364 17 00	1.00	SFD	E	1.00	1.00	\$42.56	\$42.56	Sanguinetti 2019 Trust 07-10-19
267 364 18 00	1.00	SFD	E	1.00	1.00	\$42.56	\$42.56	Hayden Jeremiah C Living Trust 04-24-11
267 364 19 00	1.00	SFD	E	1.00	1.00	\$42.56	\$42.56	Nelson Mark A&Courtney L
267 364 20 00	1.00	SFD	E	1.00	1.00	\$42.56	\$42.56	Everhardt Karl B&Julie W Living Trust 07-09-18
267 364 21 00	0.12	STR	E	0.00	0.00	\$42.56	\$0.00	Del Sur Community Assn
267 364 22 00	0.25	OSP	E	0.00	0.00	\$42.56	\$0.00	Del Sur Community Association
267 364 23 00	0.08	OSP	E	0.00	0.00	\$42.56	\$0.00	Del Sur Community Assn
267 364 24 00	0.12	OSP	E	0.00	0.00	\$42.56	\$0.00	Del Sur Community Association
267 364 26 00	0.14	STR	E	0.00	0.00	\$42.56	\$0.00	Del Sur Community Assn
267 364 27 00	1.00	SFD	E	1.00	1.00	\$42.56	\$42.56	Otto Daniel&Deborah Revocable Trust

EXHIBIT C - Assessment Roll (Fiscal Year 2024)

Black Mountain Ranch North Maintenance Assessment District

Parcel Number	Acres/ Units ⁽¹⁾	Land Use Code ⁽²⁾	Zone	Land Use Factor ⁽²⁾	Total EBU's	Unit Cost (\$/EBU)	FY 2024 ⁽³⁾ Assessment	Owner Name
267 364 28 00	1.00	SFD	E	1.00	1.00	\$42.56	\$42.56	Shrishrimal Shah Family Trust 05-19-16
267 364 29 00	1.00	SFD	E	1.00	1.00	\$42.56	\$42.56	Berenter Monica Trust 04-24-17
267 364 30 00	1.00	SFD	E	1.00	1.00	\$42.56	\$42.56	Mak Family Trust 10-22-20
267 364 31 00	1.00	SFD	E	1.00	1.00	\$42.56	\$42.56	Talepaddy Anil&Vidya Revocable Living Trust 03-15-
267 364 32 00	1.00	SFD	E	1.00	1.00	\$42.56	\$42.56	Nachshon Renen
267 364 33 00	1.00	SFD	E	1.00	1.00	\$42.56	\$42.56	Ekambaram Family Trust 06-02-22
267 364 34 00	1.00	SFD	E	1.00	1.00	\$42.56	\$42.56	Rice James&Christine
267 364 35 00	1.00	SFD	E	1.00	1.00	\$42.56	\$42.56	Mine Blake T&Kathryn W
267 364 36 00	1.00	SFD	E	1.00	1.00	\$42.56	\$42.56	Dhanasekaran Vijayakumar&Anbarasan Amrita P
267 364 37 00	1.00	SFD	E	1.00	1.00	\$42.56	\$42.56	Cubas Ivan&Castaneda Janeth
267 364 38 00	1.00	SFD	E	1.00	1.00	\$42.56	\$42.56	Oliver Ryan M&Lisa C
267 364 39 00	4.29	OSP	E	0.00	0.00	\$42.56	\$0.00	Del Sur Community Association
267 365 01 00	2.24	OSP	E	0.00	0.00	\$42.56	\$0.00	Del Sur Community Assn
267 365 03 00	3.51	OSP	E	0.00	0.00	\$42.56	\$0.00	Del Sur Community Assn
267 365 04 00	11.85	OSP	E	0.00	0.00	\$42.56	\$0.00	Del Sur Community Assn
267 370 01 01	1.00	CND	E	0.70	0.70	\$42.56	\$29.78	Ecleonel Agosto&Rosalina
267 370 01 02	1.00	CND	E	0.70	0.70	\$42.56	\$29.78	Ng Kwee Sun&Soh Yeng Leng
267 370 01 03	1.00	CND	E	0.70	0.70	\$42.56	\$29.78	Montesi Living Trust 10-13-77
267 370 01 04	1.00	CND	E	0.70	0.70	\$42.56	\$29.78	Norman Paula R Trust 10-24-08
267 370 01 05	1.00	CND	E	0.70	0.70	\$42.56	\$29.78	Ren Pingda&Jiang Shumei
267 370 01 06	1.00	CND	E	0.70	0.70	\$42.56	\$29.78	Zabonik Mark A&Kelli A
267 370 01 07	1.00	CND	E	0.70	0.70	\$42.56	\$29.78	Freeberg Jon E&Samantha L
267 370 01 08	1.00	CND	E	0.70	0.70	\$42.56	\$29.78	Marshall Shawn&Elizabeth
267 370 01 09	1.00	CND	E	0.70	0.70	\$42.56	\$29.78	Yin Mingming&Li Xuan
267 370 01 10	1.00	CND	E	0.70	0.70	\$42.56	\$29.78	Perez Rafael&Margaret M
267 370 01 11	1.00	CND	E	0.70	0.70	\$42.56	\$29.78	Feng Shi
267 370 01 12	1.00	CND	E	0.70	0.70	\$42.56	\$29.78	Lanier Susan J
267 370 01 13	1.00	CND	E	0.70	0.70	\$42.56	\$29.78	Dahiya Pavel&Bhavana
267 370 01 14	1.00	CND	E	0.70	0.70	\$42.56	\$29.78	Golden Lisa I Trust 05-10-22
267 370 01 15	1.00	CND	E	0.70	0.70	\$42.56	\$29.78	Mcgahan Michele Living Trust 05-14-21
267 370 01 16	1.00	CND	E	0.70	0.70	\$42.56	\$29.78	Gabel Michael
267 370 01 17	1.00	CND	E	0.70	0.70	\$42.56	\$29.78	Gu Yunfeng
267 370 01 18	1.00	CND	E	0.70	0.70	\$42.56	\$29.78	Lawson Tyler G&Mari
267 370 01 19	1.00	CND	E	0.70	0.70	\$42.56	\$29.78	Ryzhak Alexander J&Lena
267 370 01 20	1.00	CND	E	0.70	0.70	\$42.56	\$29.78	Wong Wei-Ting&Lin Hui-Hsien
267 370 01 21	1.00	CND	E	0.70	0.70	\$42.56	\$29.78	Candia Sigel
267 370 01 22	1.00	CND	E	0.70	0.70	\$42.56	\$29.78	Swain Family Trust 08-23-18
267 370 01 23	1.00	CND	E	0.70	0.70	\$42.56	\$29.78	Grunsted Valerie Living Trust 02-26-00
267 370 01 24	1.00	CND	E	0.70	0.70	\$42.56	\$29.78	Cerasoli Kristi A
267 370 01 25	1.00	CND	E	0.70	0.70	\$42.56	\$29.78	Brillon Matthew S&Whitney T
267 370 01 26	1.00	CND	E	0.70	0.70	\$42.56	\$29.78	Sayilir Cem U
267 370 01 27	1.00	CND	E	0.70	0.70	\$42.56	\$29.78	Ghadiri Fatemeh
267 370 01 28	1.00	CND	E	0.70	0.70	\$42.56	\$29.78	Park Brandyce S Trust 09-21-09
267 370 01 29	1.00	CND	E	0.70	0.70	\$42.56	\$29.78	Kreiss James D&Dubansky Julie A
267 370 01 30	1.00	CND	E	0.70	0.70	\$42.56	\$29.78	Frey Tracy N
267 370 01 31	1.00	CND	E	0.70	0.70	\$42.56	\$29.78	Powell Seiho N&Loan Thi
267 370 01 32	1.00	CND	E	0.70	0.70	\$42.56	\$29.78	Bringas Cassidy P
267 370 01 33	1.00	CND	E	0.70	0.70	\$42.56	\$29.78	Leng Bing&Zhao Allison
267 370 01 34	1.00	CND	E	0.70	0.70	\$42.56	\$29.78	Lou Nan&Wang Yiyin
267 370 01 35	1.00	CND	E	0.70	0.70	\$42.56	\$29.78	Song Frank Yanling&Ying
267 370 01 36	1.00	CND	E	0.70	0.70	\$42.56	\$29.78	Shuster Dmitry&Megan L
267 370 01 37	1.00	CND	E	0.70	0.70	\$42.56	\$29.78	Sharp Chom A E
267 370 01 38	1.00	CND	E	0.70	0.70	\$42.56	\$29.78	Li Hualiang&Qin Liyuan
267 370 01 39	1.00	CND	E	0.70	0.70	\$42.56	\$29.78	Li Ping
267 370 01 40	1.00	CND	E	0.70	0.70	\$42.56	\$29.78	Gordon Julie Revocable Trust 03-29-19
267 370 01 41	1.00	CND	E	0.70	0.70	\$42.56	\$29.78	Huneke James&Diane Trust 07-30-01
267 370 01 42	1.00	CND	E	0.70	0.70	\$42.56	\$29.78	Salinas Family Trust 04-09-05
267 370 01 43	1.00	CND	E	0.70	0.70	\$42.56	\$29.78	Mahalingam Nagj&Purwanti Monica
267 370 01 44	1.00	CND	E	0.70	0.70	\$42.56	\$29.78	Covington Gregory E Jr Revocable Trust 03-15-17

EXHIBIT C - Assessment Roll (Fiscal Year 2024)

Black Mountain Ranch North Maintenance Assessment District

Parcel Number	Acres/ Units ⁽¹⁾	Land Use Code ⁽²⁾	Zone	Land Use Factor ⁽²⁾	Total EBU's	Unit Cost (\$/EBU)	FY 2024 ⁽³⁾ Assessment	Owner Name
267 370 01 45	1.00	CND	E	0.70	0.70	\$42.56	\$29.78	Bock Matthew J
267 370 01 46	1.00	CND	E	0.70	0.70	\$42.56	\$29.78	Ni Jun&Chen Ying
267 370 01 47	1.00	CND	E	0.70	0.70	\$42.56	\$29.78	Oteri Kome&Awoniyi-Oteri Lola Trust 09-11-20
267 370 01 48	1.00	CND	E	0.70	0.70	\$42.56	\$29.78	Shankar Santhosh&Radhakrishnan Pooja
267 370 01 49	1.00	CND	E	0.70	0.70	\$42.56	\$29.78	Pirolli Thomas J Jr&Lisa D
267 370 01 50	1.00	CND	E	0.70	0.70	\$42.56	\$29.78	Scharf Eric&Sherri
267 370 01 51	1.00	CND	E	0.70	0.70	\$42.56	\$29.78	Tom Wynnis L Trust 12-22-17
267 370 01 52	1.00	CND	E	0.70	0.70	\$42.56	\$29.78	Lobanov Igor&Yuliya
267 370 01 53	1.00	CND	E	0.70	0.70	\$42.56	\$29.78	Landis Michael&Blanca
267 370 01 54	1.00	CND	E	0.70	0.70	\$42.56	\$29.78	Hunsaker Robert M
267 370 01 55	1.00	CND	E	0.70	0.70	\$42.56	\$29.78	Arandjelovic Michelle Family Trust 01-26-16
267 370 03 00	2.47	PKU	E	0.50	1.24	\$42.56	\$52.56	Del Sur Community Association
267 370 04 00	10.31	EPS	E	5.00	51.55	\$42.56	\$2,193.96	Poway Unified School District
267 370 05 00	11.15	OSP	E	0.00	0.00	\$42.56	\$0.00	Del Sur Community Association
267 370 06 00	0.20	OSP	E	0.00	0.00	\$42.56	\$0.00	Del Sur Community Association
267 370 07 00	5.04	PKD	E	5.00	25.20	\$42.56	\$1,072.50	City Of San Diego
267 370 08 00	0.05	STR	E	0.00	0.00	\$42.56	\$0.00	Black Mountain Ranch L L C
267 380 01 00	1.00	SFD	C	1.00	1.00	\$11.80	\$11.80	Bunn Family Trust 11-08-00
267 380 02 00	1.00	SFD	C	1.00	1.00	\$11.80	\$11.80	Makkar Narinder S&Raminder K
267 380 03 00	1.00	SFD	C	1.00	1.00	\$11.80	\$11.80	King Wende&James 2010 Family Trust 08-30-10
267 380 04 00	1.00	SFD	C	1.00	1.00	\$11.80	\$11.80	Clare Family Trust 08-13-13
267 380 05 00	1.00	SFD	C	1.00	1.00	\$11.80	\$11.80	Yoshiyuki Trust 01-31-01
267 380 06 00	1.00	SFD	C	1.00	1.00	\$11.80	\$11.80	Taylor Chad&Elizabeth
267 380 07 00	1.00	SFD	C	1.00	1.00	\$11.80	\$11.80	Obrien Family Trust 04-12-22
267 380 08 00	1.00	SFD	C	1.00	1.00	\$11.80	\$11.80	Nabai Sarah Revocable Trust 04-19-13
267 380 09 00	1.00	SFD	C	1.00	1.00	\$11.80	\$11.80	Macier Family Trust 11-07-15
267 380 10 00	1.00	SFD	C	1.00	1.00	\$11.80	\$11.80	Tilford Toby&Juliet
267 380 11 00	1.00	SFD	C	1.00	1.00	\$11.80	\$11.80	Coleman Family Trust 12-23-16
267 380 12 00	1.00	SFD	C	1.00	1.00	\$11.80	\$11.80	Tormey Shane&Brooke
267 380 13 00	1.00	SFD	C	1.00	1.00	\$11.80	\$11.80	Potiker Jori Trust 10-16-90
267 380 14 00	1.00	SFD	C	1.00	1.00	\$11.80	\$11.80	Fenstermacher Danette S Principal Residence Trust
267 380 15 00	1.00	SFD	C	1.00	1.00	\$11.80	\$11.80	Maquera Living Trust 03-20-15
267 380 16 00	1.00	SFD	C	1.00	1.00	\$11.80	\$11.80	Rickey Family Trust 03-22-16
267 380 17 00	1.00	SFD	C	1.00	1.00	\$11.80	\$11.80	Andrus Curtis L&Nichole
267 380 18 00	1.00	SFD	C	1.00	1.00	\$11.80	\$11.80	Arjomandi Mohammad S&Tavakoli Tara
267 380 19 00	1.00	SFD	C	1.00	1.00	\$11.80	\$11.80	Peterson James M&Kimberly S Family Trust 03-12-98
267 380 20 00	1.00	SFD	C	1.00	1.00	\$11.80	\$11.80	A&A Family Trust 05-19-21
267 380 21 00	1.00	SFD	C	1.00	1.00	\$11.80	\$11.80	Baek Paul N&Abler Sandra L
267 380 22 00	1.00	SFD	C	1.00	1.00	\$11.80	\$11.80	Nahm James Trust 06-07-00
267 380 23 00	1.76	OSP	C	0.00	0.00	\$11.80	\$0.00	Del Sur Community Assn
267 380 24 00	0.78	STR	C	0.00	0.00	\$11.80	\$0.00	Black Mountain Ranch L L C
267 380 25 00	0.02	OSP	C	0.00	0.00	\$11.80	\$0.00	Del Sur Community Assn
267 380 26 00	0.03	OSP	C	0.00	0.00	\$11.80	\$0.00	Del Sur Community Assn
267 380 27 00	0.03	OSP	C	0.00	0.00	\$11.80	\$0.00	Black Mountain Ranch L L C
267 380 28 00	0.03	OSP	C	0.00	0.00	\$11.80	\$0.00	Black Mountain Ranch L L C
267 381 01 00	1.00	SFD	C	1.00	1.00	\$11.80	\$11.80	Johnson Dale M&Gail K
267 381 02 00	1.00	SFD	C	1.00	1.00	\$11.80	\$11.80	Ewing Thomas&Deborah Family Trust 02-18-91
267 381 03 00	1.00	SFD	C	1.00	1.00	\$11.80	\$11.80	Kwan Thomas J T&Shirley S Revocable Trust 03-20-15
267 381 04 00	1.00	SFD	C	1.00	1.00	\$11.80	\$11.80	Williams Family Trust 10-02-02
267 381 05 00	1.00	SFD	C	1.00	1.00	\$11.80	\$11.80	Tilford Toby&Juliet
267 381 06 00	1.00	SFD	C	1.00	1.00	\$11.80	\$11.80	Yan Wai M
267 381 07 00	1.00	SFD	C	1.00	1.00	\$11.80	\$11.80	Stelzner Family Trust 05-13-03
267 381 08 00	1.00	SFD	C	1.00	1.00	\$11.80	\$11.80	Whitney Family Trust 06-09-05
267 381 09 00	1.00	SFD	C	1.00	1.00	\$11.80	\$11.80	Attar Rashid A A Trust 03-07-13
267 381 10 00	1.00	SFD	C	1.00	1.00	\$11.80	\$11.80	Gramins Robert T Trust 06-26-06
267 381 11 00	1.00	SFD	C	1.00	1.00	\$11.80	\$11.80	Zakov Family Trust 05-09-91
267 381 12 00	1.00	SFD	C	1.00	1.00	\$11.80	\$11.80	Caputo Family Trust 05-29-97
267 381 13 00	1.00	SFD	C	1.00	1.00	\$11.80	\$11.80	Mcginnis Russel&Karen
267 381 14 00	1.00	SFD	C	1.00	1.00	\$11.80	\$11.80	Mcguire Family Trust 04-29-16

EXHIBIT C - Assessment Roll (Fiscal Year 2024)

Black Mountain Ranch North Maintenance Assessment District

Parcel Number	Acres/ Units ⁽¹⁾	Land Use Code ⁽²⁾	Zone	Land Use Factor ⁽²⁾	Total EBU's	Unit Cost (\$/EBU)	FY 2024 ⁽³⁾ Assessment	Owner Name
267 381 15 00	1.00	SFD	C	1.00	1.00	\$11.80	\$11.80	Orlansky Inter Vivos Trust 01-03-86
267 381 16 00	1.00	SFD	C	1.00	1.00	\$11.80	\$11.80	Griffin Christian T&Dominique M
267 381 17 00	1.00	SFD	C	1.00	1.00	\$11.80	\$11.80	Jacobson Elizabeth D Trust 04-22-05
267 381 18 00	1.00	SFD	C	1.00	1.00	\$11.80	\$11.80	Clift John W&Kathryn
267 381 19 00	1.00	SFD	C	1.00	1.00	\$11.80	\$11.80	Oliver John T&Beverly A
267 381 20 00	1.00	SFD	C	1.00	1.00	\$11.80	\$11.80	Konzen-Omsby Trust 09-10-10
267 381 21 00	1.00	SFD	C	1.00	1.00	\$11.80	\$11.80	Conaty Family Trust
267 381 22 00	1.00	SFD	C	1.00	1.00	\$11.80	\$11.80	Genovese San Diego Family Trust 10-16-13
267 381 23 00	1.00	SFD	C	1.00	1.00	\$11.80	\$11.80	Hentrich Family Trust 09-25-06
267 381 24 00	1.00	SFD	C	1.00	1.00	\$11.80	\$11.80	Chan Philip&Winnie
267 381 25 00	1.00	SFD	C	1.00	1.00	\$11.80	\$11.80	Miller Family Survivors Trust 09-23-99
267 381 26 00	1.00	SFD	C	1.00	1.00	\$11.80	\$11.80	Gary Family Trust 12-29-06
267 381 27 00	1.00	SFD	C	1.00	1.00	\$11.80	\$11.80	Stinson Management Trust 11-01-117
267 381 28 00	1.00	SFD	C	1.00	1.00	\$11.80	\$11.80	Jaffke John P&Darlene M
267 381 29 00	1.00	SFD	C	1.00	1.00	\$11.80	\$11.80	Campbell Jim L&Wilma J Family Trust 05-13-88
267 381 30 00	1.00	SFD	C	1.00	1.00	\$11.80	\$11.80	Survivors Trust 05-28-87
267 381 31 00	1.00	SFD	C	1.00	1.00	\$11.80	\$11.80	Oneal Ryan&Kimberly Family Trust
267 381 32 00	1.00	SFD	C	1.00	1.00	\$11.80	\$11.80	Suffy Family Trust 03-27-14
267 381 33 00	1.00	SFD	C	1.00	1.00	\$11.80	\$11.80	Glasgow Revocable Trust 04-04-07
267 381 35 00	1.00	SFD	C	1.00	1.00	\$11.80	\$11.80	Andrus Kevin&Emily
267 381 36 00	1.00	SFD	C	1.00	1.00	\$11.80	\$11.80	Miller 2015 Family Trust 02-04-15
267 381 37 00	0.17	OSP	C	0.00	0.00	\$11.80	\$0.00	Del Sur Community Assn
267 381 38 00	3.79	OSP	C	0.00	0.00	\$11.80	\$0.00	Del Sur Community Assn
267 381 39 00	2.23	STR	C	0.00	0.00	\$11.80	\$0.00	Delsur Community Assn
267 381 40 00	3.99	STR	C	0.00	0.00	\$11.80	\$0.00	Black Mountain Ranch L L C
267 381 41 00	1.00	SFD	C	1.00	1.00	\$11.80	\$11.80	V L Trust 04-04-18
267 381 42 00	0.00	SFD	C	1.00	0.00	\$11.80	\$0.00	Del Sur Community Assn
267 400 01 00	1.00	SFD	E	1.00	1.00	\$42.56	\$42.56	Paukstis James&Jenna
267 400 02 00	1.00	SFD	E	1.00	1.00	\$42.56	\$42.56	Mushtarin Wadina Living Trust 03-27-19
267 400 03 00	1.00	SFD	E	1.00	1.00	\$42.56	\$42.56	Jannesari Saied&Aramfard Mansoureh
267 400 04 00	1.00	SFD	E	1.00	1.00	\$42.56	\$42.56	Harikrishnan Venkatesh&Vadivelnaryanamurthy Priya
267 400 05 00	1.00	SFD	E	1.00	1.00	\$42.56	\$42.56	Brown&Quan Family Trust 08-01-06
267 400 06 00	1.00	SFD	E	1.00	1.00	\$42.56	\$42.56	Kudrimoti Family Trust 10-03-16
267 400 07 00	1.00	SFD	E	1.00	1.00	\$42.56	\$42.56	Movva Sashidhar&Sreedevi
267 400 08 00	1.00	SFD	E	1.00	1.00	\$42.56	\$42.56	Spencer Wes&Ashley Revocable Trust 02-20-15
267 400 09 00	1.00	SFD	E	1.00	1.00	\$42.56	\$42.56	Bucton Irwin&Charmaine
267 400 10 00	1.00	SFD	E	1.00	1.00	\$42.56	\$42.56	Lee Judy
267 400 11 00	1.00	SFD	E	1.00	1.00	\$42.56	\$42.56	Sekar Family Trust 07-05-19
267 400 12 00	1.00	SFD	E	1.00	1.00	\$42.56	\$42.56	Bonslaver Mark D&Boyer Darcy E
267 400 13 00	1.00	SFD	E	1.00	1.00	\$42.56	\$42.56	Jaakkola Mikko&Niina Family 2013 Trust
267 400 14 00	1.00	SFD	E	1.00	1.00	\$42.56	\$42.56	Uhlenkott Craig&Nicole
267 400 15 00	1.00	SFD	E	1.00	1.00	\$42.56	\$42.56	Montanari Michael S&Olivia S
267 400 16 00	1.00	SFD	E	1.00	1.00	\$42.56	\$42.56	Pedhirney Michael G&Sullivan Bridie M
267 400 17 00	1.00	SFD	E	1.00	1.00	\$42.56	\$42.56	Mertz Robert J&Pamela M
267 400 18 00	1.00	SFD	E	1.00	1.00	\$42.56	\$42.56	Padmanabham Ananth&Bitrakanti Sujatha
267 400 19 00	1.00	SFD	E	1.00	1.00	\$42.56	\$42.56	Rodewald J C Family Trust 06-12-19
267 400 20 00	1.00	SFD	E	1.00	1.00	\$42.56	\$42.56	Leedom Gregory J&Allison D Living Trust 12-13-19
267 400 21 00	1.00	SFD	E	1.00	1.00	\$42.56	\$42.56	Perry Family Trust 09-24-18
267 400 22 00	1.00	SFD	E	1.00	1.00	\$42.56	\$42.56	Wendlandt Ryan&Heather
267 400 23 00	1.00	SFD	E	1.00	1.00	\$42.56	\$42.56	Zhang Baoyue&Ling
267 400 24 00	1.00	SFD	E	1.00	1.00	\$42.56	\$42.56	Merrill Howard&Jacquelynn
267 400 25 00	1.00	SFD	E	1.00	1.00	\$42.56	\$42.56	Banchik-Morpeth Natasha
267 400 26 00	1.00	SFD	E	1.00	1.00	\$42.56	\$42.56	Zhang Jianbo&Tang Chao
267 400 27 00	1.00	SFD	E	1.00	1.00	\$42.56	\$42.56	Sukumar Hariharan&Tamby Marie A
267 400 28 00	1.00	SFD	E	1.00	1.00	\$42.56	\$42.56	Patel Family Trust 06-04-16
267 400 29 00	1.00	SFD	E	1.00	1.00	\$42.56	\$42.56	Wenk Richard D Trust 03-20-14
267 400 30 00	1.00	SFD	E	1.00	1.00	\$42.56	\$42.56	Kwon Young&Jane Trust 09-09-13
267 400 31 00	1.00	SFD	E	1.00	1.00	\$42.56	\$42.56	Bradford-Vana Family Trust 06-01-12
267 400 32 00	1.00	SFD	E	1.00	1.00	\$42.56	\$42.56	Balaji Prasenna Family Revocable Trust 05-31-16

EXHIBIT C - Assessment Roll (Fiscal Year 2024)

Black Mountain Ranch North Maintenance Assessment District

Parcel Number	Acres/ Units ⁽¹⁾	Land Use Code ⁽²⁾	Zone	Land Use Factor ⁽²⁾	Total EBUs	Unit Cost (\$/Ebu)	FY 2024 ⁽³⁾ Assessment	Owner Name
267 400 33 00	1.00	SFD	E	1.00	1.00	\$42.56	\$42.56	Hering Family Trust 04-07-21
267 400 34 00	1.00	SFD	E	1.00	1.00	\$42.56	\$42.56	Sutharsan Thirunathan&Jeyanthi
267 400 35 00	1.00	SFD	E	1.00	1.00	\$42.56	\$42.56	Ji Qingsong&Lu Jiangfeng
267 400 36 00	1.00	SFD	E	1.00	1.00	\$42.56	\$42.56	Eghaneyan Revocable Trust 05-11-16
267 400 37 00	1.00	SFD	E	1.00	1.00	\$42.56	\$42.56	Heidecker Natalie R
267 400 38 00	1.00	SFD	E	1.00	1.00	\$42.56	\$42.56	Chen Ej Yi-Chieh&Sophia Ying Hu
267 400 39 00	1.00	SFD	E	1.00	1.00	\$42.56	\$42.56	Mettapalli Family Revocable Trust 11-15-13
267 400 40 00	1.00	SFD	E	1.00	1.00	\$42.56	\$42.56	Muendler Family Trust 06-15-12
267 400 41 00	1.00	SFD	E	1.00	1.00	\$42.56	\$42.56	Greene Jeffrey T&Zhou Yuwei
267 400 42 00	1.00	SFD	E	1.00	1.00	\$42.56	\$42.56	Flynn Patrick P&April R
267 400 43 00	1.00	SFD	E	1.00	1.00	\$42.56	\$42.56	Iyer Ashish&Shinde Shweta
267 400 44 00	1.00	SFD	E	1.00	1.00	\$42.56	\$42.56	Shi Ruofei&Guo Jing
267 400 45 00	1.00	SFD	E	1.00	1.00	\$42.56	\$42.56	Ford John A&Shelley A
267 400 46 00	1.00	SFD	E	1.00	1.00	\$42.56	\$42.56	Mayo Sheftic Trust 02-19-20
267 400 47 00	1.00	SFD	E	1.00	1.00	\$42.56	\$42.56	Mir Living Trust 07-07-20
267 400 48 00	1.00	SFD	E	1.00	1.00	\$42.56	\$42.56	Pinderski Eric J&Soukahn N Family Trust 01-21-17
267 400 49 00	1.00	SFD	E	1.00	1.00	\$42.56	\$42.56	Harper Christian&Emily Trust 10-09-17
267 400 50 00	1.00	SFD	E	1.00	1.00	\$42.56	\$42.56	Ahmed Salman
267 400 51 00	1.00	SFD	E	1.00	1.00	\$42.56	\$42.56	Denehy Schaeffer Family 2015 Trust 08-07-15
267 400 52 00	1.00	SFD	E	1.00	1.00	\$42.56	\$42.56	Bacich Family Trust 05-21-21
267 400 53 00	1.00	SFD	E	1.00	1.00	\$42.56	\$42.56	Ostin Joffe Trust 03-15-19
267 400 54 00	1.00	SFD	E	1.00	1.00	\$42.56	\$42.56	Bertino Ces F&Rita
267 400 55 00	0.05	OSP	E	0.00	0.00	\$42.56	\$0.00	Del Sur Community Assn
267 400 56 00	0.15	OSP	E	0.00	0.00	\$42.56	\$0.00	Del Sur Community Assn
267 400 57 00	0.10	OSP	E	0.00	0.00	\$42.56	\$0.00	Del Sur Community Assn
267 401 01 00	1.00	SFD	E	1.00	1.00	\$42.56	\$42.56	Gu&Wu Family 2021 Living Trust 08-27-21
267 401 02 00	1.00	SFD	E	1.00	1.00	\$42.56	\$42.56	Chao Jianhua
267 401 03 00	1.00	SFD	E	1.00	1.00	\$42.56	\$42.56	Na Sangjun&Hyunjung Kim
267 401 04 00	1.00	SFD	E	1.00	1.00	\$42.56	\$42.56	Smith Jason
267 401 05 00	1.00	SFD	E	1.00	1.00	\$42.56	\$42.56	Peia Mario
267 401 06 00	1.00	SFD	E	1.00	1.00	\$42.56	\$42.56	Schneringer Family Trust 11-20-14
267 401 07 00	1.00	SFD	E	1.00	1.00	\$42.56	\$42.56	Yan Shude&Zhang Yan
267 401 08 00	1.00	SFD	E	1.00	1.00	\$42.56	\$42.56	Donglikar Swapneel
267 401 09 00	1.00	SFD	E	1.00	1.00	\$42.56	\$42.56	Fang Liang&Li Yulong
267 401 10 00	1.00	SFD	E	1.00	1.00	\$42.56	\$42.56	Vogel David J&Kaitlan A
267 401 11 00	1.00	SFD	E	1.00	1.00	\$42.56	\$42.56	Dang Philippe Khanh&Vu Nga Thi
267 401 12 00	1.00	SFD	E	1.00	1.00	\$42.56	\$42.56	Bond Revocable Trust 11-03-15
267 401 13 00	1.00	SFD	E	1.00	1.00	\$42.56	\$42.56	Thakkar Snehal Kumar K&Ashabahan S
267 401 14 00	1.00	SFD	E	1.00	1.00	\$42.56	\$42.56	Tao Jia&Yu Xiaomeng
267 401 15 00	1.00	SFD	E	1.00	1.00	\$42.56	\$42.56	Chong-Ho Trust 05-19-17
267 401 16 00	1.00	SFD	E	1.00	1.00	\$42.56	\$42.56	Strothers Harry S Iii&Karen E
267 401 17 00	1.00	SFD	E	1.00	1.00	\$42.56	\$42.56	Boreddy Jayaprakash R&Vaddireddy Sulochana R
267 401 18 00	1.00	SFD	E	1.00	1.00	\$42.56	\$42.56	Thoziyoor Shyamkumar&Vadakkumkoo Subha
267 401 19 00	1.00	SFD	E	1.00	1.00	\$42.56	\$42.56	Wolf Donald T
267 401 20 00	1.00	SFD	E	1.00	1.00	\$42.56	\$42.56	Kim Young Kyun&Miji
267 401 21 00	1.00	SFD	E	1.00	1.00	\$42.56	\$42.56	Francis James G&Nora K 2017 Revocable Trust 08-29-
267 401 22 00	1.00	SFD	E	1.00	1.00	\$42.56	\$42.56	Le Truong-Giang&Dorothy S
267 401 23 00	1.00	SFD	E	1.00	1.00	\$42.56	\$42.56	Jones-Storey Kelly&Garcia-Jones Silvia
267 401 24 00	1.00	SFD	E	1.00	1.00	\$42.56	\$42.56	Tubati Family Trust 09-29-21
267 401 25 00	1.00	SFD	E	1.00	1.00	\$42.56	\$42.56	Bhandiwad Harish&Harapanahalli Sheela
267 401 26 00	1.00	SFD	E	1.00	1.00	\$42.56	\$42.56	Crossgrove Jarrett R&Tiffany
267 401 27 00	1.00	SFD	E	1.00	1.00	\$42.56	\$42.56	Bunsold Family Trust 11-30-20
267 401 28 00	1.00	SFD	E	1.00	1.00	\$42.56	\$42.56	Chu-Pham Trust 06-21-11
267 401 29 00	1.00	SFD	E	1.00	1.00	\$42.56	\$42.56	Kamath Bagwe Family Trust 07-08-22
267 401 30 00	1.00	SFD	E	1.00	1.00	\$42.56	\$42.56	Zimmer Scott A&Julieanne
267 401 31 00	1.00	SFD	E	1.00	1.00	\$42.56	\$42.56	Rodriguez Family Trust 06-29-20
267 401 32 00	1.00	SFD	E	1.00	1.00	\$42.56	\$42.56	Warner John M&Pandora H
267 401 33 00	1.00	SFD	E	1.00	1.00	\$42.56	\$42.56	Varga Gerald
267 401 34 00	1.00	SFD	E	1.00	1.00	\$42.56	\$42.56	Czyszczo Thomas M&Gail

EXHIBIT C - Assessment Roll (Fiscal Year 2024)

Black Mountain Ranch North Maintenance Assessment District

Parcel Number	Acres/ Units ⁽¹⁾	Land Use Code ⁽²⁾	Zone	Land Use Factor ⁽²⁾	Total EBUs	Unit Cost (\$/Ebu)	FY 2024 ⁽³⁾ Assessment	Owner Name
267 401 35 00	1.00	SFD	E	1.00	1.00	\$42.56	\$42.56	Petersen Laura G Family Trust 03-23-16
267 401 36 00	1.00	SFD	E	1.00	1.00	\$42.56	\$42.56	Shih Family Trust 12-10-13
267 401 37 00	1.00	SFD	E	1.00	1.00	\$42.56	\$42.56	Hartmann Scott&Sharon Trust 04-26-08
267 401 38 00	1.00	SFD	E	1.00	1.00	\$42.56	\$42.56	Vanni Adam M&Rachel R
267 401 39 00	1.00	SFD	E	1.00	1.00	\$42.56	\$42.56	Jha Somesh&Jaya
267 401 40 00	1.00	SFD	E	1.00	1.00	\$42.56	\$42.56	Tsang Brian&Matsumoto Sandra
267 401 41 00	1.00	SFD	E	1.00	1.00	\$42.56	\$42.56	Smith K B Family Trust 06-26-13
267 401 42 00	1.00	SFD	E	1.00	1.00	\$42.56	\$42.56	Zhang Shu Juan
267 401 43 00	1.00	SFD	E	1.00	1.00	\$42.56	\$42.56	Bonarrigo Donna
267 401 44 00	1.00	SFD	E	1.00	1.00	\$42.56	\$42.56	Fonss Family Trust 01-04-13
267 401 45 00	1.00	SFD	E	1.00	1.00	\$42.56	\$42.56	Kuhnert Norbert K&Margaret J
267 401 46 00	1.00	SFD	E	1.00	1.00	\$42.56	\$42.56	Iraninejad Family Trust 11-21-07
267 401 47 00	1.00	SFD	E	1.00	1.00	\$42.56	\$42.56	Zhang Guoqing&Fan Jin
267 401 48 00	1.00	SFD	E	1.00	1.00	\$42.56	\$42.56	Itakura Nobuyasu Richard
267 401 49 00	1.00	SFD	E	1.00	1.00	\$42.56	\$42.56	Devalaraju Phalguna&Rangaraju Kirthi
267 401 50 00	1.00	SFD	E	1.00	1.00	\$42.56	\$42.56	Demedeiros Roberto J&Medeiros Anna L
267 401 51 00	1.00	SFD	E	1.00	1.00	\$42.56	\$42.56	Biele Christopher T&Kelly E
267 401 52 00	1.00	SFD	E	1.00	1.00	\$42.56	\$42.56	Landa Adam&Gina B
267 401 53 00	1.00	SFD	E	1.00	1.00	\$42.56	\$42.56	Cline Family Trust 06-02-21
267 401 54 00	1.00	SFD	E	1.00	1.00	\$42.56	\$42.56	Jenkins Kira C
267 401 55 00	1.00	SFD	E	1.00	1.00	\$42.56	\$42.56	Fischbein Family Survivors Trust 04-27-90
267 401 56 00	1.00	SFD	E	1.00	1.00	\$42.56	\$42.56	Binderup Bryce&Nadia M
267 401 57 00	1.00	SFD	E	1.00	1.00	\$42.56	\$42.56	Blalock Misty D Revocable Living Trust 02-20-20
267 401 58 00	1.00	SFD	E	1.00	1.00	\$42.56	\$42.56	Kowdle Ashwin&Srish Sarayu
267 401 59 00	1.00	SFD	E	1.00	1.00	\$42.56	\$42.56	Trinder Caroline
267 401 60 00	1.00	SFD	E	1.00	1.00	\$42.56	\$42.56	Devenish Ryan&Diana K
267 401 61 00	1.00	SFD	E	1.00	1.00	\$42.56	\$42.56	Blazek David&Leslie
267 401 62 00	1.00	SFD	E	1.00	1.00	\$42.56	\$42.56	Chu George Revocable Living Trust 02-12-22
267 401 63 00	1.00	SFD	E	1.00	1.00	\$42.56	\$42.56	Alejandro Lawrence&Linh M
267 401 64 00	1.00	SFD	E	1.00	1.00	\$42.56	\$42.56	Dasgupta Family Trust 04-13-18
267 401 65 00	0.13	OSP	E	0.00	0.00	\$42.56	\$0.00	Del Sur Community Assn
267 401 66 00	0.02	OSP	E	0.00	0.00	\$42.56	\$0.00	Del Sur Community Assn
267 401 67 00	0.05	OSP	E	0.00	0.00	\$42.56	\$0.00	Del Sur Community Assn
267 401 68 00	0.08	OSP	E	0.00	0.00	\$42.56	\$0.00	Del Sur Community Assn
267 401 69 00	0.11	OSP	E	0.00	0.00	\$42.56	\$0.00	Del Sur Community Assn
267 401 70 00	0.05	OSP	E	0.00	0.00	\$42.56	\$0.00	Del Sur Community Assn
267 401 71 00	0.37	STR	E	0.00	0.00	\$42.56	\$0.00	Delsur Community Assn
267 401 72 00	0.08	OSP	E	0.00	0.00	\$42.56	\$0.00	Del Sur Community Assn
267 401 73 00	0.02	OSP	E	0.00	0.00	\$42.56	\$0.00	Del Sur Community Assn
267 401 74 00	0.05	OSP	E	0.00	0.00	\$42.56	\$0.00	Del Sur Community Assn
267 402 01 00	1.00	SFD	E	1.00	1.00	\$42.56	\$42.56	Severson Family Trust 09-14-12
267 402 02 00	1.00	SFD	E	1.00	1.00	\$42.56	\$42.56	Triolo Darin&Carina
267 402 03 00	1.00	SFD	E	1.00	1.00	\$42.56	\$42.56	Sinnokrot Mohammed&Saleh Ola
267 402 04 00	1.00	SFD	E	1.00	1.00	\$42.56	\$42.56	Chandramohan Praveen&Gopinath Divya
267 402 05 00	1.00	SFD	E	1.00	1.00	\$42.56	\$42.56	Reyes Family Trust 11-30-12
267 402 06 00	1.00	SFD	E	1.00	1.00	\$42.56	\$42.56	Sourkes Jonathan M&Sheryl
267 402 07 00	1.00	SFD	E	1.00	1.00	\$42.56	\$42.56	Samiee Kevan T&Nystrom Eleanor K
267 402 08 00	1.00	SFD	E	1.00	1.00	\$42.56	\$42.56	Feise Ronald J&Pamela
267 402 09 00	1.00	SFD	E	1.00	1.00	\$42.56	\$42.56	Margozewitz John&Heather 2011 Revocable Trust 12-1
267 402 10 00	1.00	SFD	E	1.00	1.00	\$42.56	\$42.56	Dyer Kevin&Akemi B
267 402 11 00	1.00	SFD	E	1.00	1.00	\$42.56	\$42.56	Tehrani Laura&Iranitehrani Mohammad Revocable Livi
267 402 12 00	1.00	SFD	E	1.00	1.00	\$42.56	\$42.56	Weatherford Yvonne 2001 Trust
267 402 13 00	1.00	SFD	E	1.00	1.00	\$42.56	\$42.56	Rubanyi Gabor&Edith Trust 02-12-99
267 402 14 00	1.00	SFD	E	1.00	1.00	\$42.56	\$42.56	Wright Family 2021 Living Trust 09-17-21
267 402 15 00	1.00	SFD	E	1.00	1.00	\$42.56	\$42.56	Crooks Ian C&Petra
267 402 16 00	1.00	SFD	E	1.00	1.00	\$42.56	\$42.56	Durand Family Trust 10-24-03
267 402 17 00	1.00	SFD	E	1.00	1.00	\$42.56	\$42.56	Yao Charles C
267 402 18 00	1.00	SFD	E	1.00	1.00	\$42.56	\$42.56	Beckman Family Survivors Trust 11-14-90
267 402 19 00	1.00	SFD	E	1.00	1.00	\$42.56	\$42.56	Conrad Family Trust 04-03-89

EXHIBIT C - Assessment Roll (Fiscal Year 2024)

Black Mountain Ranch North Maintenance Assessment District

Parcel Number	Acres/ Units ⁽¹⁾	Land Use Code ⁽²⁾	Zone	Land Use Factor ⁽²⁾	Total EBU's	Unit Cost (\$/EBU)	FY 2024 ⁽³⁾ Assessment	Owner Name
267 402 20 00	1.00	SFD	E	1.00	1.00	\$42.56	\$42.56	Chow Shein-Chung&Pong Annpey
267 402 21 00	1.00	SFD	E	1.00	1.00	\$42.56	\$42.56	Deissl-Gibbs Jason T&Cira
267 402 22 00	1.00	SFD	E	1.00	1.00	\$42.56	\$42.56	Conner Gregory&Veronica Trust 11-19-07
267 402 23 00	1.00	SFD	E	1.00	1.00	\$42.56	\$42.56	Ali Amro&Angela
267 402 24 00	1.00	SFD	E	1.00	1.00	\$42.56	\$42.56	Schramm Trust 10-10-20
267 402 25 00	1.00	SFD	E	1.00	1.00	\$42.56	\$42.56	Digiaco Family Trust 03-15-94
267 402 26 00	0.32	STR	E	0.00	0.00	\$42.56	\$0.00	Del Sur Community Assn
267 402 27 00	3.83	OSP	E	0.00	0.00	\$42.56	\$0.00	Del Sur Community Assn
267 402 28 00	0.12	STR	E	0.00	0.00	\$42.56	\$0.00	Del Sur Community Assn
267 402 29 00	0.20	OSP	E	0.00	0.00	\$42.56	\$0.00	Del Sur Community Assn
267 402 30 00	0.13	STR	E	0.00	0.00	\$42.56	\$0.00	Del Sur Community Assn
267 403 02 00	0.31	OSP	E	0.00	0.00	\$42.56	\$0.00	Del Sur Community Assn
267 403 03 00	1.01	PKU	E	0.50	0.51	\$42.56	\$21.48	Del Sur Community Association
267 403 04 00	4.73	OSP	E	0.00	0.00	\$42.56	\$0.00	Del Sur Community Association
267 403 05 01	1.00	CND	E	0.70	0.70	\$42.56	\$29.78	Schweichler Jeffrey&Pamela
267 403 05 02	1.00	CND	E	0.70	0.70	\$42.56	\$29.78	Lagiseti Chandraiha&Punnam Rameshwari
267 403 05 03	1.00	CND	E	0.70	0.70	\$42.56	\$29.78	Iyer Ashish&Shinde Shweta
267 403 05 04	1.00	CND	E	0.70	0.70	\$42.56	\$29.78	Chase Lawrence R J W
267 403 05 05	1.00	CND	E	0.70	0.70	\$42.56	\$29.78	Harriss Catherine M H Living Trust 11-07-13
267 403 05 06	1.00	CND	E	0.70	0.70	\$42.56	\$29.78	Ditzhazy Noel R
267 403 05 07	1.00	CND	E	0.70	0.70	\$42.56	\$29.78	Paredes Eduardo M
267 403 05 08	1.00	CND	E	0.70	0.70	\$42.56	\$29.78	Deshpande Aniruddha&Anagha A
267 403 05 09	1.00	CND	E	0.70	0.70	\$42.56	\$29.78	Dunbar James R
267 403 05 10	1.00	CND	E	0.70	0.70	\$42.56	\$29.78	Mcgloughlin Michael&Gwozdz Renata
267 403 06 01	1.00	CND	E	0.70	0.70	\$42.56	\$29.78	Jaax Daniel
267 403 06 02	1.00	CND	E	0.70	0.70	\$42.56	\$29.78	Zeitlin Marc L&Sarah S Family Trust 03-05-02
267 403 06 03	1.00	CND	E	0.70	0.70	\$42.56	\$29.78	Kim Minkyu&Jeonga
267 403 06 04	1.00	CND	E	0.70	0.70	\$42.56	\$29.78	Saad-Amin Family Trust 08-05-19
267 403 06 05	1.00	CND	E	0.70	0.70	\$42.56	\$29.78	Mascarenhas Joevilton&Fernandes Cassel C
267 403 06 06	1.00	CND	E	0.70	0.70	\$42.56	\$29.78	Haranahalli Nishanth&Koneri Akhila
267 403 06 07	1.00	CND	E	0.70	0.70	\$42.56	\$29.78	Hilbush Brian S&Greenberg Melanie
267 403 06 08	1.00	CND	E	0.70	0.70	\$42.56	\$29.78	Craft Christopher L
267 403 06 09	1.00	CND	E	0.70	0.70	\$42.56	\$29.78	Shoari Arian&Komejani Mona
267 403 06 10	1.00	CND	E	0.70	0.70	\$42.56	\$29.78	Wiglesworth Family Trust
267 403 07 01	1.00	CND	E	0.70	0.70	\$42.56	\$29.78	Dempsey Nicholas J
267 403 07 02	1.00	CND	E	0.70	0.70	\$42.56	\$29.78	Rajput Akhil&Chandrasekhar Anjana
267 403 07 03	1.00	CND	E	0.70	0.70	\$42.56	\$29.78	Voss Danielle
267 403 07 04	1.00	CND	E	0.70	0.70	\$42.56	\$29.78	Kambhampati Family Revocable Living Trust
267 403 07 05	1.00	CND	E	0.70	0.70	\$42.56	\$29.78	Kong Jason Jialiang
267 403 07 06	1.00	CND	E	0.70	0.70	\$42.56	\$29.78	Subramani Deepalakshmi
267 403 07 07	1.00	CND	E	0.70	0.70	\$42.56	\$29.78	Jia Ming&Wang Ping
267 403 07 08	1.00	CND	E	0.70	0.70	\$42.56	\$29.78	Lee Steven D&Lei Yanyi
267 403 07 09	1.00	CND	E	0.70	0.70	\$42.56	\$29.78	Rodgers Barbara Revocable Living Trust 01-09-98
267 403 07 10	1.00	CND	E	0.70	0.70	\$42.56	\$29.78	Burchett Jeremy&Monique
267 403 08 01	1.00	CND	E	0.70	0.70	\$42.56	\$29.78	Park Family Trust 05-08-07
267 403 08 02	1.00	CND	E	0.70	0.70	\$42.56	\$29.78	Mumby Family Trust 03-06-17
267 403 08 03	1.00	CND	E	0.70	0.70	\$42.56	\$29.78	Dean Joshua W&Sarah E
267 403 08 04	1.00	CND	E	0.70	0.70	\$42.56	\$29.78	Cooley David&Jill
267 403 08 05	1.00	CND	E	0.70	0.70	\$42.56	\$29.78	Hsiao Kevin&Brittney
267 403 08 06	1.00	CND	E	0.70	0.70	\$42.56	\$29.78	Salehizadeh Kian&Flaherty Stephanie M
267 403 08 07	1.00	CND	E	0.70	0.70	\$42.56	\$29.78	Hale Annie Hung-En&Aaron D Living Trust 11-14-20
267 403 08 08	1.00	CND	E	0.70	0.70	\$42.56	\$29.78	Muthuselvan Bhargavan&Reddiar Nivashiny V
267 403 08 09	1.00	CND	E	0.70	0.70	\$42.56	\$29.78	Fang Alfredo A&Evangeline O
267 403 08 10	1.00	CND	E	0.70	0.70	\$42.56	\$29.78	Gizzo Daniel P&Rose M A
267 403 09 01	1.00	CND	E	0.70	0.70	\$42.56	\$29.78	Sajja Sridhar&Kamineni Kanthi P
267 403 09 02	1.00	CND	E	0.70	0.70	\$42.56	\$29.78	Mazur Daniel J&Linda
267 403 09 03	1.00	CND	E	0.70	0.70	\$42.56	\$29.78	Kim In Chull
267 403 09 04	1.00	CND	E	0.70	0.70	\$42.56	\$29.78	Fitch Donald R&Insun A
267 403 09 05	1.00	CND	E	0.70	0.70	\$42.56	\$29.78	Reed Kevin B&Rebecca L

EXHIBIT C - Assessment Roll (Fiscal Year 2024)

Black Mountain Ranch North Maintenance Assessment District

Parcel Number	Acres/ Units ⁽¹⁾	Land Use Code ⁽²⁾	Zone	Land Use Factor ⁽²⁾	Total EBU	Unit Cost (\$/EBU)	FY 2024 ⁽³⁾ Assessment	Owner Name
267 403 09 06	1.00	CND	E	0.70	0.70	\$42.56	\$29.78	Zhu Bingkun&Qian Fumei
267 403 10 01	1.00	CND	E	0.70	0.70	\$42.56	\$29.78	Mba Mba U&Robertson Chadia
267 403 10 02	1.00	CND	E	0.70	0.70	\$42.56	\$29.78	Morris Heather A
267 403 10 03	1.00	CND	E	0.70	0.70	\$42.56	\$29.78	Boosa Sreenath&Basireddy Shailaja
267 403 10 04	1.00	CND	E	0.70	0.70	\$42.56	\$29.78	Maneri Thomas L Jr
267 403 10 05	1.00	CND	E	0.70	0.70	\$42.56	\$29.78	Zhang Jinhui&Zhao Jing
267 403 10 06	1.00	CND	E	0.70	0.70	\$42.56	\$29.78	Kwok Jonathan G
267 403 10 07	1.00	CND	E	0.70	0.70	\$42.56	\$29.78	Barman&Borah 2018 Family Trust 04-05-18
267 403 10 08	1.00	CND	E	0.70	0.70	\$42.56	\$29.78	Eregowda Mahadeva V&Gowda Divya P
267 403 10 09	1.00	CND	E	0.70	0.70	\$42.56	\$29.78	Venkatraman Arun&Ramesh Varsha
267 403 10 10	1.00	CND	E	0.70	0.70	\$42.56	\$29.78	Dionne Mark A
267 403 11 01	1.00	CND	E	0.70	0.70	\$42.56	\$29.78	Workman Timothy&Jena
267 403 11 02	1.00	CND	E	0.70	0.70	\$42.56	\$29.78	Shteremberg Sara Trust 06-20-14
267 403 11 03	1.00	CND	E	0.70	0.70	\$42.56	\$29.78	Kim William Jeongwoo&Lindsey Han
267 403 11 04	1.00	CND	E	0.70	0.70	\$42.56	\$29.78	Kanetkar Kiran&Anjali
267 403 11 05	1.00	CND	E	0.70	0.70	\$42.56	\$29.78	Berengolts Family Trust 08-26-20
267 403 11 06	1.00	CND	E	0.70	0.70	\$42.56	\$29.78	Kim Hyeon Soo&Yeoi Seul
267 403 11 07	1.00	CND	E	0.70	0.70	\$42.56	\$29.78	Diaz Kristie L
267 403 11 08	1.00	CND	E	0.70	0.70	\$42.56	\$29.78	Kashyap Gaurav&Pasricha Sugandha
267 403 11 09	1.00	CND	E	0.70	0.70	\$42.56	\$29.78	Guimaraes Berenice Trust 03-14-17
267 403 11 10	1.00	CND	E	0.70	0.70	\$42.56	\$29.78	Marsano Giovanni
267 403 12 01	1.00	CND	E	0.70	0.70	\$42.56	\$29.78	Samrith Chheat&Thanh
267 403 12 02	1.00	CND	E	0.70	0.70	\$42.56	\$29.78	Moradpour Andrew F
267 403 12 03	1.00	CND	E	0.70	0.70	\$42.56	\$29.78	Ma Zhiqian&Luo Yuan
267 403 12 04	1.00	CND	E	0.70	0.70	\$42.56	\$29.78	Henzie Family Trust 12-19-18
267 470 01 00	1.00	SFD	A	1.00	1.00	\$4.48	\$4.48	Wood Family Trust 10-23-20
267 470 02 00	1.00	SFD	A	1.00	1.00	\$4.48	\$4.48	Reynolds Family Trust 11-05-01
267 470 03 00	1.00	SFD	A	1.00	1.00	\$4.48	\$4.48	Point Randy L&Angela M
267 470 04 00	1.00	SFD	A	1.00	1.00	\$4.48	\$4.48	Krongard Manus L&Cheryl F
267 470 05 00	1.00	SFD	A	1.00	1.00	\$4.48	\$4.48	Vance Family Trust 03-26-81
267 470 06 00	1.00	SFD	A	1.00	1.00	\$4.48	\$4.48	Babaoff Abraham&Azam
267 470 07 00	1.00	SFD	A	1.00	1.00	\$4.48	\$4.48	Samaritoni Living Trust 03-18-94
267 470 08 00	1.00	SFD	A	1.00	1.00	\$4.48	\$4.48	Cheryl L Phelps Trust 08-19-99
267 470 09 00	1.00	SFD	A	1.00	1.00	\$4.48	\$4.48	Nabai Sarah Living Trust 05-29-03
267 470 10 00	1.00	SFD	A	1.00	1.00	\$4.48	\$4.48	Prenner Bruce M&Harriet N Trust 02-10-88
267 470 11 00	1.00	SFD	A	1.00	1.00	\$4.48	\$4.48	Concha Family Trust 03-08-00
267 470 12 00	1.00	SFD	A	1.00	1.00	\$4.48	\$4.48	Matthews Family Trust C 08-24-90
267 470 13 00	1.00	SFD	A	1.00	1.00	\$4.48	\$4.48	Brenneis Family 2007 Trust 10-25-07
267 470 14 00	1.00	SFD	A	1.00	1.00	\$4.48	\$4.48	Kim Scott&Jean Family Trust 10-21-20
267 470 15 00	1.00	SFD	A	1.00	1.00	\$4.48	\$4.48	Booth Karen A <Dd>
267 470 16 00	1.00	SFD	A	1.00	1.00	\$4.48	\$4.48	Don Richard Separate Property Trust 06-23-22
267 470 17 00	1.00	SFD	A	1.00	1.00	\$4.48	\$4.48	Kung Dominic M&Elaine H Revocable Living Trust 08-
267 470 18 00	1.00	SFD	A	1.00	1.00	\$4.48	\$4.48	Sahm Revocable Trust 07-21-15
267 470 19 00	1.00	SFD	A	1.00	1.00	\$4.48	\$4.48	Bloch Garry J&Cheryl L
267 470 20 00	1.00	SFD	A	1.00	1.00	\$4.48	\$4.48	Morgan Diane S 2014 Trust 10-23-14
267 470 21 00	1.00	SFD	A	1.00	1.00	\$4.48	\$4.48	Weisman Michael Living Trust
267 470 22 00	1.00	SFD	A	1.00	1.00	\$4.48	\$4.48	Kirschen Revocable Living Trust 11-20-17
267 470 23 00	1.00	SFD	A	1.00	1.00	\$4.48	\$4.48	Goergen Thomas&Carol Trust 03-16-88
267 470 24 00	1.00	SFD	A	1.00	1.00	\$4.48	\$4.48	Segnit Robert&Patricia Family Trust 09-15-95
267 470 25 00	1.00	SFD	A	1.00	1.00	\$4.48	\$4.48	Collins John D&Kathleen M
267 470 26 00	1.00	SFD	A	1.00	1.00	\$4.48	\$4.48	Skow Family Trust 03-09-17
267 470 27 00	1.00	SFD	A	1.00	1.00	\$4.48	\$4.48	Gonen Family Trust 06-03-00
267 470 28 00	1.00	SFD	A	1.00	1.00	\$4.48	\$4.48	Stevenson Andrew R&Mary C Living Trust 10-11-16
267 470 29 00	1.00	SFD	A	1.00	1.00	\$4.48	\$4.48	Lippert George A&Xiaoping Z
267 470 30 00	1.00	SFD	A	1.00	1.00	\$4.48	\$4.48	Johnson Family Trust 05-06-11
267 470 31 01	1.00	CND	A	0.70	0.70	\$4.48	\$3.14	Ahuja Family Trust 03-09-09
267 470 31 02	1.00	CND	A	0.70	0.70	\$4.48	\$3.14	Duncan Nancy C 1991 Trust 10-18-91
267 470 31 03	1.00	CND	A	0.70	0.70	\$4.48	\$3.14	C L M Trust 01-03-12
267 470 31 04	1.00	CND	A	0.70	0.70	\$4.48	\$3.14	Lewis Revocable Living Trust

EXHIBIT C - Assessment Roll (Fiscal Year 2024) Black Mountain Ranch North Maintenance Assessment District

Parcel Number	Acres/ Units ⁽¹⁾	Land Use Code ⁽²⁾	Zone	Land Use Factor ⁽²⁾	Total EBUs	Unit Cost (\$/Ebu)	FY 2024 ⁽³⁾ Assessment	Owner Name
267 470 31 05	1.00	CND	A	0.70	0.70	\$4.48	\$3.14	Lindsay Danielle Living Trust 09-11-02
267 470 31 06	1.00	CND	A	0.70	0.70	\$4.48	\$3.14	Axelrod Roy D
267 470 31 07	1.00	CND	A	0.70	0.70	\$4.48	\$3.14	Bushard Paul J&Elizabeth M Family Trust 06-12-96
267 470 31 08	1.00	CND	A	0.70	0.70	\$4.48	\$3.14	Williams Alison F
267 470 31 09	1.00	CND	A	0.70	0.70	\$4.48	\$3.14	Selland Steve C&Edwina
267 470 31 10	1.00	CND	A	0.70	0.70	\$4.48	\$3.14	Chukerman Neal Revocable Trust 03-11-97
267 470 31 11	1.00	CND	A	0.70	0.70	\$4.48	\$3.14	Iliff Susan G Restated Revocable Trust 07-07-10
267 470 31 12	1.00	CND	A	0.70	0.70	\$4.48	\$3.14	Pollock Family Revocable Trust 09-18-04
267 470 31 13	1.00	CND	A	0.70	0.70	\$4.48	\$3.14	S J E 2006 Family Trust 10-23-06
267 470 31 14	1.00	CND	A	0.70	0.70	\$4.48	\$3.14	Hansen Robert L&Lewis Lorianne C
267 470 31 15	1.00	CND	A	0.70	0.70	\$4.48	\$3.14	Chen Harold&Chuhwei Family 2014 Trust 01-10-14
267 470 31 16	1.00	CND	A	0.70	0.70	\$4.48	\$3.14	Henzie Family Trust 11-28-07
267 470 31 17	1.00	CND	A	0.70	0.70	\$4.48	\$3.14	Newman Eugene N&Suzanne M Family Trust 12-15-08
267 470 31 18	1.00	CND	A	0.70	0.70	\$4.48	\$3.14	Broder Marjorie L Family Trust 08-30-16
267 470 31 19	1.00	CND	A	0.70	0.70	\$4.48	\$3.14	Townsend Kathleen S 1999 Trust 10-20-99
267 470 31 20	1.00	CND	A	0.70	0.70	\$4.48	\$3.14	Bucciarelli Gale&Patricia Trust 05-16-19
267 470 31 21	1.00	CND	A	0.70	0.70	\$4.48	\$3.14	Bochert Stacey M 2017 Living Trust 11-20-17
267 470 31 22	1.00	CND	A	0.70	0.70	\$4.48	\$3.14	Rose Thurman H&Regina A Family Trust 07-22-98
267 470 31 23	1.00	CND	A	0.70	0.70	\$4.48	\$3.14	Justus 1996 Trust 04-23-96
267 470 31 24	1.00	CND	A	0.70	0.70	\$4.48	\$3.14	Crist Paul J
267 470 31 25	1.00	CND	A	0.70	0.70	\$4.48	\$3.14	Untiedt Living Trust 10-05-93
267 470 31 26	1.00	CND	A	0.70	0.70	\$4.48	\$3.14	Butterbrodt Lisa
267 470 31 27	1.00	CND	A	0.70	0.70	\$4.48	\$3.14	Odwazny Trust 01-09-03
267 470 31 28	1.00	CND	A	0.70	0.70	\$4.48	\$3.14	Chan Simon&Cynthia
267 470 31 29	1.00	CND	A	0.70	0.70	\$4.48	\$3.14	Bortolutti Trinh Revocable Trust 03-06-06
267 470 31 30	1.00	CND	A	0.70	0.70	\$4.48	\$3.14	Lenhart Family Trust 03-18-19
267 470 31 31	1.00	CND	A	0.70	0.70	\$4.48	\$3.14	Massieh Samia
267 470 31 32	1.00	CND	A	0.70	0.70	\$4.48	\$3.14	Sick Stephen J&Walter-Sick Sheri L Trust 05-06-99
267 470 31 33	1.00	CND	A	0.70	0.70	\$4.48	\$3.14	Montag Karen
267 470 31 34	1.00	CND	A	0.70	0.70	\$4.48	\$3.14	Ryan Gi Family Trust 03-15-18
267 470 31 35	1.00	CND	A	0.70	0.70	\$4.48	\$3.14	Sanguinetti Family Trust 06-04-02
267 470 31 36	1.00	CND	A	0.70	0.70	\$4.48	\$3.14	Notwani Llc
267 470 31 37	1.00	CND	A	0.70	0.70	\$4.48	\$3.14	Pourteymour Family Trust 03-01-07
267 470 31 38	1.00	CND	A	0.70	0.70	\$4.48	\$3.14	June Living Trust 12-07-07
267 470 31 39	1.00	CND	A	0.70	0.70	\$4.48	\$3.14	Vevaina Family Trust 03-24-05
267 470 31 40	1.00	CND	A	0.70	0.70	\$4.48	\$3.14	Boroumandi Shirin&Jonkers Mathieu Trust 07-31-18
267 470 31 41	1.00	CND	A	0.70	0.70	\$4.48	\$3.14	Bloom Nelson&Susan
267 470 31 42	1.00	CND	A	0.70	0.70	\$4.48	\$3.14	Opendoor Property C Llc
267 470 31 43	1.00	CND	A	0.70	0.70	\$4.48	\$3.14	Gallagher-Mccline Family Trust 05-04-20
267 470 31 44	1.00	CND	A	0.70	0.70	\$4.48	\$3.14	Hennes Paul E&Alane F Revocable 2008 Trust 07-17-0
267 470 31 45	1.00	CND	A	0.70	0.70	\$4.48	\$3.14	Silverman Steven J&Klink Arlene
267 470 31 46	1.00	CND	A	0.70	0.70	\$4.48	\$3.14	White James&Frances Family Trust 07-27-99
267 470 31 47	1.00	CND	A	0.70	0.70	\$4.48	\$3.14	Herman Stephanie
267 470 31 48	1.00	CND	A	0.70	0.70	\$4.48	\$3.14	Nadvodski Family Trust 06-19-17
267 470 31 49	1.00	CND	A	0.70	0.70	\$4.48	\$3.14	Taylor Trust 05-04-92
267 470 31 50	1.00	CND	A	0.70	0.70	\$4.48	\$3.14	Brown Robert L&Sherry M Revocable Trust 01-25-05
267 470 31 51	1.00	CND	A	0.70	0.70	\$4.48	\$3.14	Shields James&Ryane
267 470 31 52	1.00	CND	A	0.70	0.70	\$4.48	\$3.14	Knight Dean&Cynthia Revocable Living Trust 06-07-1
267 470 31 53	1.00	CND	A	0.70	0.70	\$4.48	\$3.14	Cass Family Trust 07-11-91
267 470 31 54	1.00	CND	A	0.70	0.70	\$4.48	\$3.14	Mckinney James G&Tamela A
267 470 31 55	1.00	CND	A	0.70	0.70	\$4.48	\$3.14	Quisling Revocable Trust 06-16-99
267 470 32 00	20.33	STR	A	0.00	0.00	\$4.48	\$0.00	Calatlantic Group Inc
267 470 33 00	6.30	OSP	A	0.00	0.00	\$4.48	\$0.00	Calatlantic Group Inc
267 470 34 00	1.10	PKU	A	0.50	0.55	\$4.48	\$2.46	Auberge Community Assn
267 470 35 00	0.18	OSP	A	0.00	0.00	\$4.48	\$0.00	Calatlantic Group Inc
267 470 36 00	0.01	OSP	A	0.00	0.00	\$4.48	\$0.00	Calatlantic Group Inc
267 470 37 00	4.90	STR	A	0.00	0.00	\$4.48	\$0.00	Calatlantic Group Inc
267 470 38 00	0.99	OSP	A	0.00	0.00	\$4.48	\$0.00	Black Mountain Ranch L L C
267 471 01 00	1.00	SFD	A	1.00	1.00	\$4.48	\$4.48	Paley Family Trust 03-24-98

EXHIBIT C - Assessment Roll (Fiscal Year 2024)

Black Mountain Ranch North Maintenance Assessment District

Parcel Number	Acres/ Units ⁽¹⁾	Land Use Code ⁽²⁾	Zone	Land Use Factor ⁽²⁾	Total EBUs	Unit Cost (\$/Ebu)	FY 2024 ⁽³⁾ Assessment	Owner Name
267 471 02 00	1.00	SFD	A	1.00	1.00	\$4.48	\$4.48	Dicovitsky Gary&Laura H Family Trust 02-06-14
267 471 03 00	1.00	SFD	A	1.00	1.00	\$4.48	\$4.48	Y J L Trust 12-01-86
267 471 04 00	1.00	SFD	A	1.00	1.00	\$4.48	\$4.48	Burdman Debra L Revocable Trust 05-24-07
267 471 05 00	1.00	SFD	A	1.00	1.00	\$4.48	\$4.48	Crystal Family Trust 08-20-97
267 471 06 00	1.00	SFD	A	1.00	1.00	\$4.48	\$4.48	Coulombe Family Trust 10-17-08
267 471 07 00	1.00	SFD	A	1.00	1.00	\$4.48	\$4.48	Gaskill Charles S&Susan K Family Trust 07-08-99
267 471 08 00	1.00	SFD	A	1.00	1.00	\$4.48	\$4.48	Mastaler Richard M Living Trust 08-18-94
267 471 09 00	1.00	SFD	A	1.00	1.00	\$4.48	\$4.48	Jaffe Family Trust 07-09-91
267 471 10 00	1.00	SFD	A	1.00	1.00	\$4.48	\$4.48	Bedell Terrence A&Pahler Karen L
267 471 11 00	1.00	SFD	A	1.00	1.00	\$4.48	\$4.48	Sharpe Peggy
267 471 12 00	1.00	SFD	A	1.00	1.00	\$4.48	\$4.48	Slattery Richard&Ninfa L
267 471 13 00	1.00	SFD	A	1.00	1.00	\$4.48	\$4.48	Thomas Nancy L Revocable Trust 07-26-00
267 471 14 00	1.00	SFD	A	1.00	1.00	\$4.48	\$4.48	Carter Bernard F&Cynthia S L
267 471 15 00	1.00	SFD	A	1.00	1.00	\$4.48	\$4.48	Sanit Paul C Separate Property Trust 11-12-20
267 471 16 00	1.00	SFD	A	1.00	1.00	\$4.48	\$4.48	Sushma 1953 Trust 07-16-21
267 471 17 00	1.00	SFD	A	1.00	1.00	\$4.48	\$4.48	Macahilig Samuel C&Pilar A Trust 01-17-05
267 471 18 00	1.00	SFD	A	1.00	1.00	\$4.48	\$4.48	E G M Trust 01-26-00
267 471 19 00	1.00	SFD	A	1.00	1.00	\$4.48	\$4.48	Hassidim Kamran&Theresa A Trust 06-01-89
267 471 20 00	1.00	SFD	A	1.00	1.00	\$4.48	\$4.48	Patterson Timothy&Pamela 2011 Revocable Trust 09-
267 471 21 00	1.00	SFD	A	1.00	1.00	\$4.48	\$4.48	Mendelsohn Ina
267 471 22 00	1.00	SFD	A	1.00	1.00	\$4.48	\$4.48	Volin Nancy A Living Trust 09-30-20
267 471 23 00	1.00	SFD	A	1.00	1.00	\$4.48	\$4.48	Greer Family Trust 06-08-05
267 471 24 00	1.00	SFD	A	1.00	1.00	\$4.48	\$4.48	J C P Revocable Living Trust 01-26-07
267 471 25 00	1.00	SFD	A	1.00	1.00	\$4.48	\$4.48	R M Family Trust 11-19-20
267 471 26 00	1.00	SFD	A	1.00	1.00	\$4.48	\$4.48	Cammeyer Ira&Adria Revocable Trust 12-21-05
267 471 27 00	1.00	SFD	A	1.00	1.00	\$4.48	\$4.48	Lortscher John D&Barbara A Revocable Living Trust
267 471 28 00	1.00	SFD	A	1.00	1.00	\$4.48	\$4.48	Nager 2021 Family Trust 07-27-21
267 471 29 00	1.00	SFD	A	1.00	1.00	\$4.48	\$4.48	Badewitz Ernst R&Harriet R Family Trust Of 2011 12
267 471 30 00	1.00	SFD	A	1.00	1.00	\$4.48	\$4.48	Williams Family Trust 05-05-04
267 471 31 00	1.00	SFD	A	1.00	1.00	\$4.48	\$4.48	Barron Family Trust 03-31-82
267 471 32 00	1.00	SFD	A	1.00	1.00	\$4.48	\$4.48	Ryan Daion K&Wanda J Trust 08-23-89
267 471 33 00	1.00	SFD	A	1.00	1.00	\$4.48	\$4.48	Poon Survivors Trust 08-12-81
267 471 34 00	1.00	SFD	A	1.00	1.00	\$4.48	\$4.48	Panagos Family Revocable Trust 06-06-06
267 471 35 00	1.00	SFD	A	1.00	1.00	\$4.48	\$4.48	Huntalas Survivors Trust 11-11-16
267 471 36 00	1.00	SFD	A	1.00	1.00	\$4.48	\$4.48	Blando Family Trust 03-13-13
267 471 37 00	1.00	SFD	A	1.00	1.00	\$4.48	\$4.48	Shookhoff Family 2022 Living Trust 02-10-22
267 471 38 00	1.00	SFD	A	1.00	1.00	\$4.48	\$4.48	Kim Joon Bom&Oh Sik
267 471 39 00	1.00	SFD	A	1.00	1.00	\$4.48	\$4.48	Nourok David&Marlene Family Trust 03-09-20
267 471 40 00	1.00	SFD	A	1.00	1.00	\$4.48	\$4.48	Lee Chungpin J&Yenyu Survivors Trust 01-27-92
267 471 41 00	1.00	SFD	A	1.00	1.00	\$4.48	\$4.48	Deverill Eric D 1991 Family Trust 06-06-91
267 471 42 00	1.00	SFD	A	1.00	1.00	\$4.48	\$4.48	Snediker Family Trust 04-07-21
267 471 43 00	1.00	SFD	A	1.00	1.00	\$4.48	\$4.48	Leung Irene S
267 471 44 00	1.00	SFD	A	1.00	1.00	\$4.48	\$4.48	Woo Savio Lau-Yuen&Patricia Tak-Kit
267 471 45 00	1.00	SFD	A	1.00	1.00	\$4.48	\$4.48	Johnston Kim B&Marilyn J Revocable Trust 05-08-01
267 471 46 00	1.00	SFD	A	1.00	1.00	\$4.48	\$4.48	Hamilton Perry D&Sheila T
267 471 47 00	1.00	SFD	A	1.00	1.00	\$4.48	\$4.48	Tao Zhou Family Trust 08-27-09
267 471 48 00	1.00	SFD	A	1.00	1.00	\$4.48	\$4.48	Loughran 2008 Family Trust 10-23-08
267 471 49 00	1.00	SFD	A	1.00	1.00	\$4.48	\$4.48	Kim Joon
267 471 50 00	1.00	SFD	A	1.00	1.00	\$4.48	\$4.48	Erickson Ned&Jeanene Family 2012 Trust 09-15-12
267 471 51 00	1.00	SFD	A	1.00	1.00	\$4.48	\$4.48	Vega 2016 Family Trust 07-18-16
267 471 52 00	1.00	SFD	A	1.00	1.00	\$4.48	\$4.48	Peck Trust 12-04-90
267 471 53 00	1.00	SFD	A	1.00	1.00	\$4.48	\$4.48	Mink Karleen
267 471 54 00	1.00	SFD	A	1.00	1.00	\$4.48	\$4.48	Hayes Family Trust B 08-02-78
267 471 55 00	1.00	SFD	A	1.00	1.00	\$4.48	\$4.48	Correnti Family Trust 09-11-07
267 471 56 00	1.00	SFD	A	1.00	1.00	\$4.48	\$4.48	Mort Trust 02-21-20
267 471 57 00	1.00	SFD	A	1.00	1.00	\$4.48	\$4.48	Loeb Howard&Susan Living Trust 08-26-13
267 471 58 00	1.00	SFD	A	1.00	1.00	\$4.48	\$4.48	Lapinski Betty J Trust 06-13-17
267 471 59 00	1.00	SFD	A	1.00	1.00	\$4.48	\$4.48	Alavi Parvin Trust 02-16-12
267 471 60 00	1.00	SFD	A	1.00	1.00	\$4.48	\$4.48	Dyte Cynthia J 2008 Family Trust 02-25-08

EXHIBIT C - Assessment Roll (Fiscal Year 2024)

Black Mountain Ranch North Maintenance Assessment District

Parcel Number	Acres/ Units ⁽¹⁾	Land Use Code ⁽²⁾	Zone	Land Use Factor ⁽²⁾	Total EBUs	Unit Cost (\$/EBU)	FY 2024 ⁽³⁾ Assessment	Owner Name
267 471 61 00	1.00	SFD	A	1.00	1.00	\$4.48	\$4.48	Brown Family Trust 09-05-97
267 471 62 01	1.00	SFD	A	1.00	1.00	\$4.48	\$4.48	Brenner Family Trust 07-13-21
267 471 62 02	1.00	SFD	A	1.00	1.00	\$4.48	\$4.48	Bookbinder Susan Revocable Trust 09-09-20
267 471 62 03	1.00	SFD	A	1.00	1.00	\$4.48	\$4.48	Last-Small Family Trust 07-06-12
267 471 62 04	1.00	SFD	A	1.00	1.00	\$4.48	\$4.48	Midura Living Trust 10-30-19
267 471 62 05	1.00	SFD	A	1.00	1.00	\$4.48	\$4.48	Couillard Marc J
267 471 62 06	1.00	SFD	A	1.00	1.00	\$4.48	\$4.48	Goodman Michael&Bat Zion
267 471 63 01	1.00	SFD	A	1.00	1.00	\$4.48	\$4.48	Nemchock Thomas J&Allen Lori J
267 471 63 02	1.00	SFD	A	1.00	1.00	\$4.48	\$4.48	Schneider Clara E D Living Trust 09-08-00
267 471 63 03	1.00	SFD	A	1.00	1.00	\$4.48	\$4.48	Lee Ann Living Trust 10-02-13
267 471 63 04	1.00	SFD	A	1.00	1.00	\$4.48	\$4.48	Kramer Family Trust 11-08-17
267 471 63 05	1.00	SFD	A	1.00	1.00	\$4.48	\$4.48	Cole Jean A
267 471 63 06	1.00	SFD	A	1.00	1.00	\$4.48	\$4.48	Harris Family Trust 03-26-04
267 471 63 07	1.00	SFD	A	1.00	1.00	\$4.48	\$4.48	Cohen Claudia Trust 05-21-12
267 471 63 08	1.00	SFD	A	1.00	1.00	\$4.48	\$4.48	Ratnayaka Naline M Trust 06-30-22
267 471 63 09	1.00	SFD	A	1.00	1.00	\$4.48	\$4.48	Carson Barbara M Trust 12-13-21
267 471 63 10	1.00	SFD	A	1.00	1.00	\$4.48	\$4.48	Fontaine Robert A&Rebecca S Trust 07-29-86
267 471 63 11	1.00	SFD	A	1.00	1.00	\$4.48	\$4.48	Forrest Steven B Revocable Living Trust 02-06-03
267 471 63 12	1.00	SFD	A	1.00	1.00	\$4.48	\$4.48	Forrest Laurie B Living Trust 11-05-03
267 471 63 13	1.00	SFD	A	1.00	1.00	\$4.48	\$4.48	Morales Emil D&Jody A
267 471 63 14	1.00	SFD	A	1.00	1.00	\$4.48	\$4.48	Sykes Family Trust 02-01-94
267 471 63 15	1.00	SFD	A	1.00	1.00	\$4.48	\$4.48	Fox K&G Family Trust 03-17-14
267 471 64 00	0.97	OSP	A	0.00	0.00	\$4.48	\$0.00	Calatlantic Group Inc
267 471 65 00	0.02	OSP	A	0.00	0.00	\$4.48	\$0.00	Calatlantic Group Inc
267 471 66 00	0.01	OSP	A	0.00	0.00	\$4.48	\$0.00	Calatlantic Group Inc
267 471 67 00	0.01	OSP	A	0.00	0.00	\$4.48	\$0.00	Calatlantic Group Inc
267 471 68 00	0.23	PKU	A	0.50	0.12	\$4.48	\$0.52	Calatlantic Group Inc
267 471 69 00	0.52	STR	A	0.00	0.00	\$4.48	\$0.00	Calatlantic Group Inc
267 471 70 00	1.57	STR	A	0.00	0.00	\$4.48	\$0.00	Calatlantic Group Inc
267 472 01 00	1.00	SFD	A	1.00	1.00	\$4.48	\$4.48	Tung John Revocable Trust 01-14-97
267 472 02 00	1.00	SFD	A	1.00	1.00	\$4.48	\$4.48	Birmbaum Dean J&Cassi L Family Trust 02-07-94
267 472 03 00	1.00	SFD	A	1.00	1.00	\$4.48	\$4.48	Haddow Daniel P&Oleary Isabella J
267 472 04 00	1.00	SFD	A	1.00	1.00	\$4.48	\$4.48	Tuetken Family Trust 06-02-99
267 472 05 00	1.00	SFD	A	1.00	1.00	\$4.48	\$4.48	Jackson Keith&Janet Trust 12-06-07
267 472 06 00	1.00	SFD	A	1.00	1.00	\$4.48	\$4.48	Weatherford Living Trust 06-14-89
267 472 07 00	1.00	SFD	A	1.00	1.00	\$4.48	\$4.48	Hensley Family Trust 04-17-98
267 472 08 00	1.00	SFD	A	1.00	1.00	\$4.48	\$4.48	Amberg Trust 04-02-14
267 472 09 00	1.00	SFD	A	1.00	1.00	\$4.48	\$4.48	Culver John&Theresa Family Trust 12-19-05
267 472 10 00	1.00	SFD	A	1.00	1.00	\$4.48	\$4.48	Gonzalez Carmen M Trust 02-01-02
267 472 11 00	1.00	SFD	A	1.00	1.00	\$4.48	\$4.48	Skolnick Paul&Corie Living Trust 11-20-98
267 472 12 00	1.00	SFD	A	1.00	1.00	\$4.48	\$4.48	Karpol David Revocable Living Trust 02-07-02
267 472 13 00	1.00	SFD	A	1.00	1.00	\$4.48	\$4.48	Cave Family Living Trust 12-06-11
267 472 14 00	1.00	SFD	A	1.00	1.00	\$4.48	\$4.48	Sheets Dale R&Monica K Revocable Living Trust 04-0
267 472 15 00	1.00	SFD	A	1.00	1.00	\$4.48	\$4.48	G S R Living Trust 12-01-99
267 472 16 00	1.00	SFD	A	1.00	1.00	\$4.48	\$4.48	Klein Family Trust 12-14-05
267 472 17 00	1.00	SFD	A	1.00	1.00	\$4.48	\$4.48	David Wax Family Trust 04-10-86
267 472 18 00	1.00	SFD	A	1.00	1.00	\$4.48	\$4.48	Smith Carl&Elaine Family Trust 10-24-88
267 472 19 00	1.00	SFD	A	1.00	1.00	\$4.48	\$4.48	Riggs Family Trust 06-02-99
267 472 20 00	1.00	SFD	A	1.00	1.00	\$4.48	\$4.48	Schmaltz Thomas&Debra Trust 03-19-14
267 472 21 00	1.00	SFD	A	1.00	1.00	\$4.48	\$4.48	Nazar Jose E&Sabra K
267 472 22 00	1.00	SFD	A	1.00	1.00	\$4.48	\$4.48	Pierro 1990 Trust 12-27-90
267 472 23 00	1.00	SFD	A	1.00	1.00	\$4.48	\$4.48	Zhu Jim Q&Gong Xiaomei
267 472 24 00	1.00	SFD	A	1.00	1.00	\$4.48	\$4.48	Bell Family Trust 80-20-13
267 472 25 00	1.00	SFD	A	1.00	1.00	\$4.48	\$4.48	Alessi Family Trust 09-09-04
267 472 26 00	1.00	SFD	A	1.00	1.00	\$4.48	\$4.48	Reiter Richard H Trust 05-02-95
267 472 27 00	1.00	SFD	A	1.00	1.00	\$4.48	\$4.48	Vinitzky Michael H&Lyba D Family Trust 04-16-98
267 472 28 00	1.00	SFD	A	1.00	1.00	\$4.48	\$4.48	Fick Edward L Family Trust 01-05-06
267 472 29 00	1.00	SFD	A	1.00	1.00	\$4.48	\$4.48	Davenport Family Trust 02-06-08
267 472 30 00	1.00	SFD	A	1.00	1.00	\$4.48	\$4.48	Yam Eric&Maria Family 2013 Trust 04-06-13

EXHIBIT C - Assessment Roll (Fiscal Year 2024)
Black Mountain Ranch North Maintenance Assessment District

Parcel Number	Acres/ Units ⁽¹⁾	Land Use Code ⁽²⁾	Zone	Land Use Factor ⁽²⁾	Total EBU's	Unit Cost (\$/EBU)	FY 2024 ⁽³⁾ Assessment	Owner Name
267 472 31 00	1.00	SFD	A	1.00	1.00	\$4.48	\$4.48	Finger Family Trust 07-14-00
267 472 32 00	1.00	SFD	A	1.00	1.00	\$4.48	\$4.48	Blumen Living Trust 10-22-18
267 472 33 00	1.00	SFD	A	1.00	1.00	\$4.48	\$4.48	Nomellini Family 2009 Trust
267 472 34 00	1.00	SFD	A	1.00	1.00	\$4.48	\$4.48	Kushman Family Trust 11-18-15
267 472 35 00	1.00	SFD	A	1.00	1.00	\$4.48	\$4.48	Wickstrom Nils W&Tullius Patricia L
267 472 36 00	1.00	SFD	A	1.00	1.00	\$4.48	\$4.48	Hose Eddy&Dmumit Revocable Living Trust 09-24-07
267 472 37 00	1.00	SFD	A	1.00	1.00	\$4.48	\$4.48	Jereza Romulo G&Elenita T
267 472 38 00	1.00	SFD	A	1.00	1.00	\$4.48	\$4.48	Mushet Family Trust 04-12-97
267 472 39 00	1.00	SFD	A	1.00	1.00	\$4.48	\$4.48	Baughn Family Trust 04-29-02
267 472 40 00	0.14	OSP	A	0.00	0.00	\$4.48	\$0.00	Auberge Community Assn
267 472 41 00	0.04	OSP	A	0.00	0.00	\$4.48	\$0.00	Auberge Community Assn
267 472 42 00	0.01	OSP	A	0.00	0.00	\$4.48	\$0.00	Calatlantic Group Inc
678 230 19 00	2.61	OSP	A	0.00	0.00	\$4.48	\$0.00	Del Sur Community Association
678 230 20 00	4.54	OSP	A	0.00	0.00	\$4.48	\$0.00	Del Sur Community Association
678 230 21 00	5.39	OSP	A	0.00	0.00	\$4.48	\$0.00	Del Sur Community Association
678 230 39 00	165.00	MFR	H	0.70	115.50	\$8.84	\$1,021.02	Fairbanks Commons C I C L P
678 230 40 00	40.05	EPS	H	5.00	200.25	\$8.84	\$1,770.20	Poway Unified School District
678 230 44 00	21.71	EPS	F	5.00	108.55	\$12.48	\$1,354.70	Poway Unified School District
678 230 46 00	3.53	COM	F	45.00	158.85	\$12.48	\$1,982.44	San Diego Gas&Electric Co
678 230 48 00	100.00	MFR	F	0.70	70.00	\$12.48	\$873.60	Fairbanks Square C I C Lp
678 230 49 00	146.17	OSP	A	0.00	0.00	\$4.48	\$0.00	Del Sur Community Association
678 231 01 00	1.00	SFD	H	1.00	1.00	\$8.84	\$8.84	Kam Dong Gun&Hur Sung Kyung
678 231 02 00	1.00	SFD	H	1.00	1.00	\$8.84	\$8.84	Rosness Melissa Family Trust 08-05-16
678 231 03 00	1.00	SFD	H	1.00	1.00	\$8.84	\$8.84	Tang Yiwei&Deng Yun
678 231 04 00	1.00	SFD	H	1.00	1.00	\$8.84	\$8.84	Jones Dallas&Amy L
678 231 05 00	1.00	SFD	H	1.00	1.00	\$8.84	\$8.84	Maiti Banikumar&Manisha
678 231 06 00	1.00	SFD	H	1.00	1.00	\$8.84	\$8.84	Mondal Shyama P Trust 03-25-22
678 231 07 00	1.00	SFD	H	1.00	1.00	\$8.84	\$8.84	Betts Family Trust 02-15-16
678 231 08 00	1.00	SFD	H	1.00	1.00	\$8.84	\$8.84	Mohan Ashwin&Venkitaraman Priya M
678 231 09 00	1.00	SFD	H	1.00	1.00	\$8.84	\$8.84	Bhatia Amit&Sangar Samriti
678 231 10 00	1.00	SFD	H	1.00	1.00	\$8.84	\$8.84	Selvamani Rajasekaran&Kuppan Premalatha
678 231 11 00	1.00	SFD	H	1.00	1.00	\$8.84	\$8.84	Kumarswamy Preetham&Chakrasali Nagaveena
678 231 12 00	1.00	SFD	H	1.00	1.00	\$8.84	\$8.84	Chen Yi Tsang&Huang Hsin Yi
678 231 13 00	1.00	SFD	H	1.00	1.00	\$8.84	\$8.84	Moskowitz Larry J Separate Property Trust 05-09-17
678 231 14 00	1.00	SFD	H	1.00	1.00	\$8.84	\$8.84	Preece Todd W&Vejar-Preece Karla
678 231 15 00	1.00	SFD	H	1.00	1.00	\$8.84	\$8.84	Guan Rongchang&Cen Xiaoping
678 231 16 00	1.00	SFD	H	1.00	1.00	\$8.84	\$8.84	Gadde Padmaja
678 231 17 00	1.00	SFD	H	1.00	1.00	\$8.84	\$8.84	Nguyen Duc&Mirna
678 231 18 00	1.00	SFD	H	1.00	1.00	\$8.84	\$8.84	Yang Zhongwei&Wang Hongjun
678 231 19 00	1.00	SFD	H	1.00	1.00	\$8.84	\$8.84	Shah Resham B Trust 02-23-04
678 231 20 00	1.00	SFD	H	1.00	1.00	\$8.84	\$8.84	Pampati Phanibhushan Rao&Keshetty Lavanya
678 231 21 00	1.00	SFD	H	1.00	1.00	\$8.84	\$8.84	Buell Family Trust 12-02-18
678 231 22 00	1.00	SFD	H	1.00	1.00	\$8.84	\$8.84	Johnson Michael Eugene&Shandi Onise Smith
678 231 23 00	1.00	SFD	H	1.00	1.00	\$8.84	\$8.84	Poorman Jacob&Fakhrai Diana
678 231 24 00	1.00	SFD	H	1.00	1.00	\$8.84	\$8.84	Ma Ruhong&Butts Melissa S
678 231 25 00	1.00	SFD	H	1.00	1.00	\$8.84	\$8.84	Bapat Dahasahasra Trust 10-21-16
678 231 26 00	1.00	SFD	H	1.00	1.00	\$8.84	\$8.84	Park Dongmin&Ju Youngeun
678 231 27 00	1.00	SFD	H	1.00	1.00	\$8.84	\$8.84	Chen Yu&Ge Xuan
678 231 28 00	1.00	SFD	H	1.00	1.00	\$8.84	\$8.84	Cheng Zhongming&Liu Qiong
678 231 29 00	1.00	SFD	H	1.00	1.00	\$8.84	\$8.84	Tran 2014 Family Trust 03-11-14
678 231 30 00	1.00	SFD	H	1.00	1.00	\$8.84	\$8.84	Wang Zhijin&Chen Haiqin
678 231 31 00	1.00	SFD	H	1.00	1.00	\$8.84	\$8.84	Venkatesan Sathish&Vijayaraghavan Vaidehi D
678 231 32 00	1.00	SFD	H	1.00	1.00	\$8.84	\$8.84	Chauhan Ajaykumar B&Priyal A
678 231 33 00	1.00	SFD	H	1.00	1.00	\$8.84	\$8.84	Kavya&Prasad Family Trust 08-25-22
678 231 34 00	1.00	SFD	H	1.00	1.00	\$8.84	\$8.84	Beeghley Darin M&Sandra K
678 231 35 00	1.00	SFD	H	1.00	1.00	\$8.84	\$8.84	Shore Matthew&Svetlana
678 231 36 00	1.00	SFD	H	1.00	1.00	\$8.84	\$8.84	Dolgoter Aleksandr&Ly Christina
678 231 37 00	1.00	SFD	H	1.00	1.00	\$8.84	\$8.84	Patel Pankaj J&Kinjal P
678 231 38 00	0.08	STR	H	0.00	0.00	\$8.84	\$0.00	Black Mountain Ranch L L C

EXHIBIT C - Assessment Roll (Fiscal Year 2024)

Black Mountain Ranch North Maintenance Assessment District

Parcel Number	Acres/ Units ⁽¹⁾	Land Use Code ⁽²⁾	Zone	Land Use Factor ⁽²⁾	Total EBUs	Unit Cost (\$/Ebu)	FY 2024 ⁽³⁾ Assessment	Owner Name
678 231 39 00	0.36	OSP	H	0.00	0.00	\$8.84	\$0.00	Del Sur Community Assn
678 231 40 00	0.01	UND	H	0.00	0.00	\$8.84	\$0.00	Del Sur Community Assn
678 232 01 00	1.00	SFD	H	1.00	1.00	\$8.84	\$8.84	Won Samuel&Wonju
678 232 02 00	1.00	SFD	H	1.00	1.00	\$8.84	\$8.84	Etienne Family Trust 02-24-16
678 232 03 00	1.00	SFD	H	1.00	1.00	\$8.84	\$8.84	Vanvaley Michael&Patricia R
678 232 04 00	1.00	SFD	H	1.00	1.00	\$8.84	\$8.84	Butler Ian B&Jihyun
678 232 05 00	1.00	SFD	H	1.00	1.00	\$8.84	\$8.84	Deforest Devin
678 232 06 00	1.00	SFD	H	1.00	1.00	\$8.84	\$8.84	Kwon Yong&Jeanie Jiahn
678 232 07 00	1.00	SFD	H	1.00	1.00	\$8.84	\$8.84	Kottilingal Sudeep&Sudeep Chandni Trust 10-18-18
678 232 08 00	1.00	SFD	H	1.00	1.00	\$8.84	\$8.84	Wu Xiaotie&Lu Jie
678 232 09 00	1.00	SFD	H	1.00	1.00	\$8.84	\$8.84	Le Co K&My P Revocable Living Trust 06-17-22
678 232 10 00	1.00	SFD	H	1.00	1.00	\$8.84	\$8.84	Zuo Chengjie&Chen Mengke
678 232 11 00	1.00	SFD	H	1.00	1.00	\$8.84	\$8.84	Weerakkody Sadith L&Wickramarathna Thamali D
678 232 12 00	1.00	SFD	H	1.00	1.00	\$8.84	\$8.84	Zhao Jian&Zhang Yanting Living Trust
678 232 13 00	1.00	SFD	H	1.00	1.00	\$8.84	\$8.84	Cornick Family 2022 Trust 01-29-22
678 232 14 00	1.00	SFD	H	1.00	1.00	\$8.84	\$8.84	Beg Mirza K&Khurram Huma
678 232 15 00	1.00	SFD	H	1.00	1.00	\$8.84	\$8.84	Buono John&Amy
678 232 16 00	1.00	SFD	H	1.00	1.00	\$8.84	\$8.84	Roux John A&Sabrina K
678 232 17 00	1.00	SFD	H	1.00	1.00	\$8.84	\$8.84	Zheng Tianji&Zhong Ken
678 232 18 00	1.00	SFD	H	1.00	1.00	\$8.84	\$8.84	Danney Brian E&Lauren
678 232 19 00	1.00	SFD	H	1.00	1.00	\$8.84	\$8.84	Palakodety Ravi&Kalpana
678 232 20 00	1.00	SFD	H	1.00	1.00	\$8.84	\$8.84	Shah Jigneshkumar P&Palak
678 232 21 00	1.00	SFD	H	1.00	1.00	\$8.84	\$8.84	Fry Andrew H&Sabrina
678 232 22 00	1.00	SFD	H	1.00	1.00	\$8.84	\$8.84	Bhatti Kashif&Amin Maria
678 232 23 00	1.00	SFD	H	1.00	1.00	\$8.84	\$8.84	Kim Family Trust 03-23-16
678 232 24 00	1.00	SFD	H	1.00	1.00	\$8.84	\$8.84	Brownlie Robert W&Blanca F
678 232 25 00	1.00	SFD	H	1.00	1.00	\$8.84	\$8.84	Bercovitch-Ishimoto Family Trust 10-15-15
678 232 26 00	1.00	SFD	H	1.00	1.00	\$8.84	\$8.84	Citerony Family Trust 02-10-17
678 232 27 00	1.00	SFD	H	1.00	1.00	\$8.84	\$8.84	Weis Jonathan M&Jena M Revocable Living Trust 03-2
678 232 28 00	1.00	SFD	H	1.00	1.00	\$8.84	\$8.84	Trieu Nguyen&Nguyen Xuan
678 232 29 00	1.00	SFD	H	1.00	1.00	\$8.84	\$8.84	Saini Family Trust 04-11-22
678 232 30 00	1.00	SFD	H	1.00	1.00	\$8.84	\$8.84	Eichenfield Matthew&Dawn
678 232 31 00	1.00	SFD	H	1.00	1.00	\$8.84	\$8.84	Gaurav Family Trust 11-30-17
678 232 32 00	1.00	SFD	H	1.00	1.00	\$8.84	\$8.84	Cutler Michael L&Julia K
678 232 33 00	1.00	SFD	H	1.00	1.00	\$8.84	\$8.84	Hayes Michael F&Kelly N
678 232 34 00	1.00	SFD	H	1.00	1.00	\$8.84	\$8.84	Liedtky John C&Tina L Family Trust 09-23-22
678 232 35 00	1.00	SFD	H	1.00	1.00	\$8.84	\$8.84	Soong John
678 232 36 00	1.00	SFD	H	1.00	1.00	\$8.84	\$8.84	Jeong Claire H
678 232 37 00	1.00	SFD	H	1.00	1.00	\$8.84	\$8.84	Miller Madison E
678 232 38 00	1.00	SFD	H	1.00	1.00	\$8.84	\$8.84	Sun Hualyu&Zhao Chunmei 2018 Revocable Trust 12-06
678 232 39 00	1.00	SFD	H	1.00	1.00	\$8.84	\$8.84	Brandon Clayton&Ly Lien
678 232 40 00	1.00	SFD	H	1.00	1.00	\$8.84	\$8.84	Chu Eddy&Li Maggie
678 232 41 00	1.00	SFD	H	1.00	1.00	\$8.84	\$8.84	King Raymond C&Charlene H
678 232 42 00	1.00	SFD	H	1.00	1.00	\$8.84	\$8.84	Sirohi Kapil&Archana
678 232 43 00	1.00	SFD	H	1.00	1.00	\$8.84	\$8.84	Castano Neremiah&Joy 2013 Family Trust
678 232 44 00	1.00	SFD	H	1.00	1.00	\$8.84	\$8.84	Svetina Marko&Olena T
678 232 45 00	1.00	SFD	H	1.00	1.00	\$8.84	\$8.84	Vishwanathan Harish&Kripanidhi Adithi
678 232 46 00	1.00	SFD	H	1.00	1.00	\$8.84	\$8.84	Quach Ryan&Cao Hue
678 232 47 00	1.00	SFD	H	1.00	1.00	\$8.84	\$8.84	McClure-Kuhar Jessica
678 232 48 00	1.00	SFD	H	1.00	1.00	\$8.84	\$8.84	Hussain Ali S&Mariam
678 232 49 00	1.00	SFD	H	1.00	1.00	\$8.84	\$8.84	Wei Hongfeng
678 232 50 00	1.00	SFD	H	1.00	1.00	\$8.84	\$8.84	Hwang Insoo&Kim Jinyoung
678 232 51 00	1.00	SFD	H	1.00	1.00	\$8.84	\$8.84	Deguzman Family Trust 07-22-14
678 232 52 00	1.00	SFD	H	1.00	1.00	\$8.84	\$8.84	Dye Andrew M
678 232 53 00	1.00	SFD	H	1.00	1.00	\$8.84	\$8.84	Nowak Family Trust 03-15-21
678 232 54 00	1.00	SFD	H	1.00	1.00	\$8.84	\$8.84	Chiang Brian&Bonnie
678 232 55 00	1.00	SFD	H	1.00	1.00	\$8.84	\$8.84	Tripathi Ambudhar&Swapnil
678 232 56 00	1.00	SFD	H	1.00	1.00	\$8.84	\$8.84	Ang Michael J&Zhang Sue
678 232 57 00	1.00	SFD	H	1.00	1.00	\$8.84	\$8.84	Choubey Ashish&Aradhana

EXHIBIT C - Assessment Roll (Fiscal Year 2024)

Black Mountain Ranch North Maintenance Assessment District

Parcel Number	Acres/ Units ⁽¹⁾	Land Use Code ⁽²⁾	Zone	Land Use Factor ⁽²⁾	Total EBU's	Unit Cost (\$/EBU)	FY 2024 ⁽³⁾ Assessment	Owner Name
678 232 58 00	1.00	SFD	H	1.00	1.00	\$8.84	\$8.84	Bhatnagar Nitin&Pallavi
678 232 59 00	1.00	SFD	H	1.00	1.00	\$8.84	\$8.84	Sowmya Sai Trust 09-13-19
678 232 60 00	1.00	SFD	H	1.00	1.00	\$8.84	\$8.84	Christou Peter&Allyson
678 232 61 00	1.00	SFD	H	1.00	1.00	\$8.84	\$8.84	Sriramoju Rajanikanth&Tangellapally Mounika
678 232 62 00	1.00	SFD	H	1.00	1.00	\$8.84	\$8.84	Tyagi Abhishek&Dalvi Ambalika R
678 232 63 00	1.00	SFD	H	1.00	1.00	\$8.84	\$8.84	Rajashekhara Jayashree Living Trust 12-21-17
678 232 64 00	1.00	SFD	H	1.00	1.00	\$8.84	\$8.84	Shea Family Trust 05-02-14
678 232 65 00	1.00	SFD	H	1.00	1.00	\$8.84	\$8.84	Adamczyk Thomas H
678 232 66 00	1.00	SFD	H	1.00	1.00	\$8.84	\$8.84	Caballes Joehn S&Therese C
678 232 67 00	1.00	SFD	H	1.00	1.00	\$8.84	\$8.84	Jimenez Alberto A&Zambrano Paola S P
678 232 68 00	1.00	SFD	H	1.00	1.00	\$8.84	\$8.84	Hardin Justin&Robles Paola
678 232 69 00	1.00	SFD	H	1.00	1.00	\$8.84	\$8.84	Green Marjan Trust 12-05-16
678 232 70 00	1.00	SFD	H	1.00	1.00	\$8.84	\$8.84	Hughes Christopher J&Barnes Mary R
678 232 71 00	1.00	SFD	H	1.00	1.00	\$8.84	\$8.84	Shah Kunal R&Shruti
678 232 72 00	1.00	SFD	H	1.00	1.00	\$8.84	\$8.84	Saini Divyansh&Tyagi Ekta
678 232 73 00	1.00	SFD	H	1.00	1.00	\$8.84	\$8.84	Oviedo Raul&Tamayo Maithe F
678 232 74 00	1.00	SFD	H	1.00	1.00	\$8.84	\$8.84	Jaikumar Revocable Trust 06-29-19
678 232 75 00	1.00	SFD	H	1.00	1.00	\$8.84	\$8.84	Asgari Amir A&Shirin
678 232 76 00	1.00	SFD	H	1.00	1.00	\$8.84	\$8.84	Tkanchi Family Trust 03-18-19
678 232 77 00	1.00	SFD	H	1.00	1.00	\$8.84	\$8.84	Alfano Jeffrey J&Misa
678 232 78 00	1.00	SFD	H	1.00	1.00	\$8.84	\$8.84	Courter Donald L&Joanna Cheung-Yan Law Revocable T
678 232 79 00	1.00	SFD	H	1.00	1.00	\$8.84	\$8.84	Gao Xuhong
678 232 80 00	1.00	SFD	H	1.00	1.00	\$8.84	\$8.84	Elle&Eva Trust 11-07-19
678 232 81 00	1.00	SFD	H	1.00	1.00	\$8.84	\$8.84	Mrozek 2012 Family Trust 02-07-12
678 232 82 00	1.59	PKU	H	0.50	0.80	\$8.84	\$7.02	Del Sur Community Association
678 232 83 00	0.31	OSP	H	0.00	0.00	\$8.84	\$0.00	Del Sur Community Association
678 233 01 00	1.00	SFD	H	1.00	1.00	\$8.84	\$8.84	Hayatt Samuel
678 233 02 00	1.00	SFD	H	1.00	1.00	\$8.84	\$8.84	Cresto Mark V&Jillian
678 233 03 00	1.00	SFD	H	1.00	1.00	\$8.84	\$8.84	Shah Sandeep J&Patel Swati K
678 233 04 00	1.00	SFD	H	1.00	1.00	\$8.84	\$8.84	Chodorow Devin S&Jessica G
678 233 05 00	1.00	SFD	H	1.00	1.00	\$8.84	\$8.84	Wolfe Zachary&Ciobanu Cosmina Family Trust 06-15-2
678 233 06 00	1.00	SFD	H	1.00	1.00	\$8.84	\$8.84	Meierhofer Stefan&Kim
678 233 07 00	1.00	SFD	H	1.00	1.00	\$8.84	\$8.84	Nazef Family Trust 02-07-22
678 233 08 00	1.00	SFD	H	1.00	1.00	\$8.84	\$8.84	Parthasarathy Family Trust 11-09-14
678 233 09 00	1.00	SFD	H	1.00	1.00	\$8.84	\$8.84	King Patrick J&Wang Yanling
678 233 10 00	1.00	SFD	H	1.00	1.00	\$8.84	\$8.84	Weinstock Nick&Iris Trust 11-20-14
678 233 11 00	1.00	SFD	H	1.00	1.00	\$8.84	\$8.84	Guzenski Family Trust 04-05-22
678 233 12 00	1.00	SFD	H	1.00	1.00	\$8.84	\$8.84	Yin Peter Vann&Tang Jennifer Mengyi
678 233 13 00	1.00	SFD	H	1.00	1.00	\$8.84	\$8.84	Stivers Robert W&Michiele G Family Trust 07-29-99
678 233 14 00	1.00	SFD	H	1.00	1.00	\$8.84	\$8.84	Weisfeld Family Trust 06-19-17
678 233 15 00	1.00	SFD	H	1.00	1.00	\$8.84	\$8.84	Lee Kangmin&Kwon Yoosun
678 233 16 00	1.00	SFD	H	1.00	1.00	\$8.84	\$8.84	Wu Kim Trust 10-24-20
678 233 17 00	1.00	SFD	H	1.00	1.00	\$8.84	\$8.84	Markus Mikko&Brynan Johanna
678 233 18 00	1.00	SFD	H	1.00	1.00	\$8.84	\$8.84	Kwan Derek D&Truong Jennifer B
678 233 19 00	1.00	SFD	H	1.00	1.00	\$8.84	\$8.84	Pragasam Dhamaraj&Dhamaraj Mary P
678 233 20 00	1.00	SFD	H	1.00	1.00	\$8.84	\$8.84	Samuthiram Karthik&Karthik Radhika
678 233 21 00	1.00	SFD	H	1.00	1.00	\$8.84	\$8.84	Wu Kun&Zheng Yi Jenny
678 233 22 00	1.00	SFD	H	1.00	1.00	\$8.84	\$8.84	Sapkal Dnyandeo T&Anjali D
678 233 23 00	1.00	SFD	H	1.00	1.00	\$8.84	\$8.84	Desai Bhavan Y&Agn U
678 233 24 00	1.00	SFD	H	1.00	1.00	\$8.84	\$8.84	Cutter Ryan&June Living Trust 10-22-13
678 233 25 00	1.00	SFD	H	1.00	1.00	\$8.84	\$8.84	Nguyen Quy&Karina Living Trust 02-25-16
678 233 26 00	1.00	SFD	H	1.00	1.00	\$8.84	\$8.84	Thach&Tran Family 2021 Living Trust 03-23-21
678 233 27 00	1.00	SFD	H	1.00	1.00	\$8.84	\$8.84	Sherod Francesco&Natalie M
678 233 28 00	1.00	SFD	H	1.00	1.00	\$8.84	\$8.84	Church David P&Carla S
678 233 29 00	1.00	SFD	H	1.00	1.00	\$8.84	\$8.84	Grozavu Sergiu&Nguyen-Grozavu France
678 233 30 00	1.00	SFD	H	1.00	1.00	\$8.84	\$8.84	Bhatia Family Trust 06-25-21
678 233 31 00	1.00	SFD	H	1.00	1.00	\$8.84	\$8.84	Tai Living Trust 11-10-21
678 233 32 00	1.00	SFD	H	1.00	1.00	\$8.84	\$8.84	Kaufman Family Trust 07-12-11
678 233 33 00	1.00	SFD	H	1.00	1.00	\$8.84	\$8.84	Puliady Jaswant B&Sangeetha J Revocable Family Tru

EXHIBIT C - Assessment Roll (Fiscal Year 2024)

Black Mountain Ranch North Maintenance Assessment District

Parcel Number	Acres/ Units ⁽¹⁾	Land Use Code ⁽²⁾	Zone	Land Use Factor ⁽²⁾	Total EBUs	Unit Cost (\$/Ebu)	FY 2024 ⁽³⁾ Assessment	Owner Name
678 233 34 00	1.00	SFD	H	1.00	1.00	\$8.84	\$8.84	Kumar&Vedantam Family Trust 02-13-15
678 233 35 00	1.00	SFD	H	1.00	1.00	\$8.84	\$8.84	Torres Jennifer Revocable Living Trust 12-29-20
678 233 36 00	1.00	SFD	H	1.00	1.00	\$8.84	\$8.84	Wolfson Matthew S&Heather G
678 233 37 00	1.00	SFD	H	1.00	1.00	\$8.84	\$8.84	Anise-Hicks Elliot&Ayodope
678 233 38 00	1.00	SFD	H	1.00	1.00	\$8.84	\$8.84	Piracha Kasha&Maryam K
678 233 39 00	1.00	SFD	H	1.00	1.00	\$8.84	\$8.84	Johnson Family Trust 06-17-19
678 233 40 00	1.00	SFD	H	1.00	1.00	\$8.84	\$8.84	Li Lyon&Minrong Family Trust 05-05-20
678 233 41 00	1.00	SFD	H	1.00	1.00	\$8.84	\$8.84	Hasan Syed Z U&Sadiya
678 233 42 00	1.00	SFD	H	1.00	1.00	\$8.84	\$8.84	Raut Swapnil&Kulkarni Amruta
678 233 43 00	1.00	SFD	H	1.00	1.00	\$8.84	\$8.84	Glazner Matthew T&Courtney
678 233 44 00	1.00	SFD	H	1.00	1.00	\$8.84	\$8.84	Vahia Varin S&Bhatt Kadambi U
678 233 45 00	1.00	SFD	H	1.00	1.00	\$8.84	\$8.84	Lee Daniel S0Nghak&Kim Yanghee
678 233 46 00	1.00	SFD	H	1.00	1.00	\$8.84	\$8.84	Tan Jun&Bao Mingji
678 233 47 00	1.00	SFD	H	1.00	1.00	\$8.84	\$8.84	Derringer Jordan&Jaime
678 233 48 00	1.00	SFD	H	1.00	1.00	\$8.84	\$8.84	Saini Living Trust 11-20-13
678 233 49 00	1.00	SFD	H	1.00	1.00	\$8.84	\$8.84	Hosmani Jagadeesh&Girwalker Ashwini
678 233 50 00	1.00	SFD	H	1.00	1.00	\$8.84	\$8.84	Graves Joseph&Laura Family Trust 08-09-19
678 233 51 00	1.00	SFD	H	1.00	1.00	\$8.84	\$8.84	Kumar Atin&Bhatnagar Meghna
678 233 52 00	1.00	SFD	H	1.00	1.00	\$8.84	\$8.84	Cheah Benjamin
678 233 53 00	1.00	SFD	H	1.00	1.00	\$8.84	\$8.84	Shah Vora Family Trust 09-17-14
678 233 54 00	1.00	SFD	H	1.00	1.00	\$8.84	\$8.84	Goodman Brett B&Julie C Family Trust 11-06-14
678 233 55 00	1.00	SFD	H	1.00	1.00	\$8.84	\$8.84	Cordell Timothy&Lara Revocable Living Trust 02-05-
678 233 56 00	0.11	OSP	H	0.00	0.00	\$8.84	\$0.00	Del Sur Community Assn
678 234 01 00	1.00	SFD	H	1.00	1.00	\$8.84	\$8.84	Min Bohui
678 234 02 00	1.00	SFD	H	1.00	1.00	\$8.84	\$8.84	Gross Daryl J&Lael
678 234 03 00	1.00	SFD	H	1.00	1.00	\$8.84	\$8.84	S R B Family Trust 09-10-21
678 234 04 00	1.00	SFD	H	1.00	1.00	\$8.84	\$8.84	Plishner Family Trust 11-13-15
678 234 05 00	1.00	SFD	H	1.00	1.00	\$8.84	\$8.84	Gade Naveen K&Swapna
678 234 06 00	1.00	SFD	H	1.00	1.00	\$8.84	\$8.84	Paone Living Trust 08-25-17
678 234 07 00	1.00	SFD	H	1.00	1.00	\$8.84	\$8.84	Gautam Manish&Jaiswal Ekta Revocable Living Trust
678 234 08 00	1.00	SFD	H	1.00	1.00	\$8.84	\$8.84	Arthur Michael P&Dana E G
678 234 09 00	1.00	SFD	H	1.00	1.00	\$8.84	\$8.84	Gonzales Edmund S&Darcy S
678 234 10 00	1.00	SFD	H	1.00	1.00	\$8.84	\$8.84	Devilbiss Family 2017 Living Trust 12-14-17
678 234 11 00	1.00	SFD	H	1.00	1.00	\$8.84	\$8.84	Hart Family Trust 06-23-14
678 234 12 00	1.00	SFD	H	1.00	1.00	\$8.84	\$8.84	Goulart James&Skye
678 234 13 00	1.00	SFD	H	1.00	1.00	\$8.84	\$8.84	Vinod&Sujana Trust 12-11-19
678 234 14 00	1.00	SFD	H	1.00	1.00	\$8.84	\$8.84	Vaddi Ravichandra R&Mallewari
678 234 15 00	1.00	SFD	H	1.00	1.00	\$8.84	\$8.84	Joshi Bhargav&Prapti
678 234 16 00	1.00	SFD	H	1.00	1.00	\$8.84	\$8.84	Yang Zhifa&Mei Gan
678 234 17 00	1.00	SFD	H	1.00	1.00	\$8.84	\$8.84	Ravula Satheesh B&Suchitra
678 234 18 00	1.00	SFD	H	1.00	1.00	\$8.84	\$8.84	Pang Family Trust 04-06-16
678 234 19 00	1.00	SFD	H	1.00	1.00	\$8.84	\$8.84	Hou Yang&Liu Xizi
678 234 20 00	1.00	SFD	H	1.00	1.00	\$8.84	\$8.84	Concepcion R&L Family Trust 02-22-05
678 234 21 00	1.00	SFD	H	1.00	1.00	\$8.84	\$8.84	Faerm Huang 2018 Family Trust 07-05-19
678 234 22 00	1.00	SFD	H	1.00	1.00	\$8.84	\$8.84	Le Thuy Dinh&Le-Pham Van Revocable Living Trust 08
678 234 23 00	1.00	SFD	H	1.00	1.00	\$8.84	\$8.84	Vootukuru Anil&Peri Sree V
678 234 24 00	1.00	SFD	H	1.00	1.00	\$8.84	\$8.84	Peng Sen&Wang Xiaoxiao
678 234 25 00	1.00	SFD	H	1.00	1.00	\$8.84	\$8.84	Liang Clark&Gao Xueting
678 234 26 00	1.00	SFD	H	1.00	1.00	\$8.84	\$8.84	Martin Andrew N&Ghosh Indushree
678 234 27 00	1.00	SFD	H	1.00	1.00	\$8.84	\$8.84	Pastrano Kirk A&Ellen C
678 234 28 00	1.00	SFD	H	1.00	1.00	\$8.84	\$8.84	Namoca Ceazar&Ferrer Anna
678 234 29 00	1.00	SFD	H	1.00	1.00	\$8.84	\$8.84	Dick C&L Family Trust 06-09-13
678 234 30 00	1.00	SFD	H	1.00	1.00	\$8.84	\$8.84	Mistry Sanjay K&Sapna P
678 234 31 00	1.00	SFD	H	1.00	1.00	\$8.84	\$8.84	Richardson Seth&Wotherspoon Paula
678 234 32 00	1.00	SFD	H	1.00	1.00	\$8.84	\$8.84	Sozzi Rick&Michelle
678 234 33 00	1.00	SFD	H	1.00	1.00	\$8.84	\$8.84	Kogan Family Trust 05-16-14
678 234 34 00	1.00	SFD	H	1.00	1.00	\$8.84	\$8.84	Katre Family Trust 11-17-15
678 234 35 00	1.00	SFD	H	1.00	1.00	\$8.84	\$8.84	Dhokia December 19 2016 Family Trust
678 234 36 00	1.00	SFD	H	1.00	1.00	\$8.84	\$8.84	Thomas Joe&Nimmi

EXHIBIT C - Assessment Roll (Fiscal Year 2024)

Black Mountain Ranch North Maintenance Assessment District

Parcel Number	Acres/ Units ⁽¹⁾	Land Use Code ⁽²⁾	Zone	Land Use Factor ⁽²⁾	Total EBU's	Unit Cost (\$/EBU)	FY 2024 ⁽³⁾ Assessment	Owner Name
678 234 37 00	1.32	PKU	H	0.50	0.66	\$8.84	\$5.82	Del Sur Community Association
678 235 01 00	1.00	SFD	H	1.00	1.00	\$8.84	\$8.84	Yatavelli Anil&Boorgula Sushma
678 235 02 00	1.00	SFD	H	1.00	1.00	\$8.84	\$8.84	Anand Sumeet&Amarinder
678 235 03 00	1.00	SFD	H	1.00	1.00	\$8.84	\$8.84	Ciruzzi Family Trust 09-14-00
678 235 04 00	1.00	SFD	H	1.00	1.00	\$8.84	\$8.84	Walkusky Michael&Siera
678 235 05 00	1.00	SFD	H	1.00	1.00	\$8.84	\$8.84	Seaton Family Trust 10-13-17
678 235 06 00	1.00	SFD	H	1.00	1.00	\$8.84	\$8.84	Skopec Living Trust 04-17-20
678 235 07 00	1.00	SFD	H	1.00	1.00	\$8.84	\$8.84	Jain Family Trust 01-06-22
678 235 08 00	1.00	SFD	H	1.00	1.00	\$8.84	\$8.84	Fritz Kathryn M Revocable Trust 10-21-13
678 235 09 00	1.00	SFD	H	1.00	1.00	\$8.84	\$8.84	Laemmel Stacey Family Trust 04-09-21
678 235 10 00	1.00	SFD	H	1.00	1.00	\$8.84	\$8.84	Choi J H C 2018 Family Revocable Trust 06-22-18
678 235 11 00	1.00	SFD	H	1.00	1.00	\$8.84	\$8.84	Zhao Chen&Yu Mingxiu Trust 10-20-14
678 235 12 00	1.00	SFD	H	1.00	1.00	\$8.84	\$8.84	Vaidyanathan Family Trust 11-02-21
678 235 13 00	1.00	SFD	H	1.00	1.00	\$8.84	\$8.84	Shanmugaraju Raghuraj&Raj Kavitha
678 235 14 00	1.00	SFD	H	1.00	1.00	\$8.84	\$8.84	Hua Ryan&Tran Lori Living 2014 Trust 03-25-14
678 235 15 00	1.00	SFD	H	1.00	1.00	\$8.84	\$8.84	Pustelnik Matthew J&Rachel H
678 235 16 00	1.00	SFD	H	1.00	1.00	\$8.84	\$8.84	Kintada Ramakrishna&Kinthada Prema K
678 235 17 00	1.00	SFD	H	1.00	1.00	\$8.84	\$8.84	Urcan Michael&Kristen
678 235 18 00	1.00	SFD	H	1.00	1.00	\$8.84	\$8.84	Dhillon Marshal&Ty
678 235 19 00	1.00	SFD	H	1.00	1.00	\$8.84	\$8.84	Park Family Trust 05-08-07
678 235 20 00	1.00	SFD	H	1.00	1.00	\$8.84	\$8.84	Lo Bryan&Miller Cheryl Living Trust 10-21-20
678 235 21 00	1.00	SFD	H	1.00	1.00	\$8.84	\$8.84	Lo Thomas S&Paige E
678 235 22 00	1.00	SFD	H	1.00	1.00	\$8.84	\$8.84	Fang Yong&Cheng Chuan
678 235 23 00	1.00	SFD	H	1.00	1.00	\$8.84	\$8.84	Danielson Joshua L&Kristin L
678 235 24 00	1.00	SFD	H	1.00	1.00	\$8.84	\$8.84	Sutter Cameron E&Nedic Ivana S
678 235 25 00	1.00	SFD	H	1.00	1.00	\$8.84	\$8.84	Weg Zach&Laura
678 235 26 00	1.00	SFD	H	1.00	1.00	\$8.84	\$8.84	Binn Family Living Trust 05-08-97
678 235 27 00	1.00	SFD	H	1.00	1.00	\$8.84	\$8.84	Kim Chung Soo&Yoo Kyung
678 235 28 00	1.00	SFD	H	1.00	1.00	\$8.84	\$8.84	Do Jason Q&Ailoon H
678 235 29 00	1.00	SFD	H	1.00	1.00	\$8.84	\$8.84	Nilsen Robert W Iii&Lucia
678 235 30 00	1.00	SFD	H	1.00	1.00	\$8.84	\$8.84	Lee Jung&Susan Family Trust 11-28-11
678 235 31 00	1.00	SFD	H	1.00	1.00	\$8.84	\$8.84	Fogerson Robert S Jr Trust 11-04-11
678 235 32 00	1.00	SFD	H	1.00	1.00	\$8.84	\$8.84	Wong Liu Family Trust 10-15-14
678 235 33 00	1.00	SFD	H	1.00	1.00	\$8.84	\$8.84	Rubio Jose A&Ana I
678 235 34 00	1.00	SFD	H	1.00	1.00	\$8.84	\$8.84	Maienschein Family Trust 10-02-21
678 235 35 00	1.00	SFD	H	1.00	1.00	\$8.84	\$8.84	Bhatt Janmejay P&Komal J
678 235 36 00	1.00	SFD	H	1.00	1.00	\$8.84	\$8.84	Venkatasamy Jeganathan&Chakraborty Debjani
678 235 37 00	1.00	SFD	H	1.00	1.00	\$8.84	\$8.84	Pierson Sheila L Separate Property Trust 08-05-16
678 235 38 00	1.00	SFD	H	1.00	1.00	\$8.84	\$8.84	Chun Philip M&Angela J
678 235 39 00	1.00	SFD	H	1.00	1.00	\$8.84	\$8.84	Pattireddy Udaykumar&Neravetla Soumya
678 235 40 00	1.00	SFD	H	1.00	1.00	\$8.84	\$8.84	Hong Steven S&Kim Angela B
678 235 41 00	1.00	SFD	H	1.00	1.00	\$8.84	\$8.84	Nozdrin Family Trust 05-21-21
678 235 42 00	1.00	SFD	H	1.00	1.00	\$8.84	\$8.84	Charo Jason&Jacklyn
678 235 43 00	1.00	SFD	H	1.00	1.00	\$8.84	\$8.84	Elardo Family Living Trust 12-05-19
678 235 44 00	1.00	SFD	H	1.00	1.00	\$8.84	\$8.84	Park Family Trust 06-01-99
678 235 45 00	1.00	SFD	H	1.00	1.00	\$8.84	\$8.84	Vespa Craig R&Melanie G
678 235 46 00	1.00	SFD	H	1.00	1.00	\$8.84	\$8.84	Gavin Tange L 1991 Trust 08-28-91
678 236 01 00	1.00	SFD	H	1.00	1.00	\$8.84	\$8.84	Dhami Tarlok S&Rupinder K
678 236 02 00	1.00	SFD	H	1.00	1.00	\$8.84	\$8.84	Safi Family Trust 03-21-13
678 236 03 00	1.00	SFD	H	1.00	1.00	\$8.84	\$8.84	Raman Arun&Krishnamurthy Chitra
678 236 04 00	1.00	SFD	H	1.00	1.00	\$8.84	\$8.84	Loranger Family Trust 10-20-22
678 236 05 00	1.00	SFD	H	1.00	1.00	\$8.84	\$8.84	Dulac Edward J Iii&Hope
678 236 06 00	1.00	SFD	H	1.00	1.00	\$8.84	\$8.84	Sage Family Trust 11-07-18
678 236 07 00	1.00	SFD	H	1.00	1.00	\$8.84	\$8.84	Outman Trevor&Cristal
678 236 08 00	1.00	SFD	H	1.00	1.00	\$8.84	\$8.84	Greenstein Family Trust 03-12-2020
678 236 09 00	1.00	SFD	H	1.00	1.00	\$8.84	\$8.84	Bundy Jon&Erica
678 236 10 00	1.00	SFD	H	1.00	1.00	\$8.84	\$8.84	Jaquess Family Trust 08-21-12
678 236 11 00	1.00	SFD	H	1.00	1.00	\$8.84	\$8.84	Glandorf Joshua J&Kari
678 236 12 00	1.00	SFD	H	1.00	1.00	\$8.84	\$8.84	Kirsten Nico&Cornelia J

EXHIBIT C - Assessment Roll (Fiscal Year 2024)

Black Mountain Ranch North Maintenance Assessment District

Parcel Number	Acres/ Units ⁽¹⁾	Land Use Code ⁽²⁾	Zone	Land Use Factor ⁽²⁾	Total EBUs	Unit Cost (\$/Ebu)	FY 2024 ⁽³⁾ Assessment	Owner Name
678 236 13 00	1.00	SFD	H	1.00	1.00	\$8.84	\$8.84	Ahmed Mohammed M&Ali Sameera
678 236 14 00	1.00	SFD	H	1.00	1.00	\$8.84	\$8.84	Laufik Martin&Christin
678 236 15 00	1.00	SFD	H	1.00	1.00	\$8.84	\$8.84	Yoon Steven&Lee Chak Han
678 236 16 00	1.00	SFD	H	1.00	1.00	\$8.84	\$8.84	Dines Adrienne A Family Trust 09-07-04
678 236 17 00	1.00	SFD	H	1.00	1.00	\$8.84	\$8.84	Nelson Michael&Colette Living Trust 10-27-22
678 236 18 00	1.00	SFD	H	1.00	1.00	\$8.84	\$8.84	Webb Family Trust 04-13-17
678 236 19 00	1.00	SFD	H	1.00	1.00	\$8.84	\$8.84	Fontana Family Trust 03-19-18
678 236 20 00	1.00	SFD	H	1.00	1.00	\$8.84	\$8.84	Mackinlay Rebecca L
678 236 21 00	1.00	SFD	H	1.00	1.00	\$8.84	\$8.84	Clapper Family Trust 06-09-15
678 236 22 00	1.00	SFD	H	1.00	1.00	\$8.84	\$8.84	Gupta Paras&Tayal Isha
678 236 23 00	1.00	SFD	H	1.00	1.00	\$8.84	\$8.84	Cunningham Jerry L&Kimberly L Revocable Trust
678 236 24 00	1.00	SFD	H	1.00	1.00	\$8.84	\$8.84	Last-Small Family Trust 07-06-12
678 236 25 00	0.05	OSP	H	0.00	0.00	\$8.84	\$0.00	Del Sur Community Association
678 236 26 00	0.07	OSP	H	0.00	0.00	\$8.84	\$0.00	Del Sur Community Association
678 236 27 00	0.05	OSP	H	0.00	0.00	\$8.84	\$0.00	Del Sur Community Association
678 236 28 00	0.06	OSP	H	0.00	0.00	\$8.84	\$0.00	Del Sur Community Assn
678 236 29 00	0.05	OSP	H	0.00	0.00	\$8.84	\$0.00	Del Sur Community Association
678 237 02 00	3.56	OSP	H	0.00	0.00	\$8.84	\$0.00	Del Sur Community Association
678 237 03 00	3.07	OSP	H	0.00	0.00	\$8.84	\$0.00	Del Sur Community Association
678 237 04 00	16.19	OSP	H	0.00	0.00	\$8.84	\$0.00	Del Sur Community Assn
678 237 05 00	2.27	OSP	H	0.00	0.00	\$8.84	\$0.00	Del Sur Community Association
678 237 06 00	7.48	OSP	H	0.00	0.00	\$8.84	\$0.00	Del Sur Community Association
678 237 07 00	0.07	OSP	H	0.00	0.00	\$8.84	\$0.00	Black Mountain Ranch L L C
678 237 08 00	0.01	OSP	H	0.00	0.00	\$8.84	\$0.00	Del Sur Community Association
678 620 01 00	119.00	MFR	A	0.70	83.30	\$4.48	\$373.18	Santaluz Family Apts L P
678 620 05 00	0.05	OSP	A	0.00	0.00	\$4.48	\$0.00	Santaluz L L C
678 620 06 00	0.08	OSP	A	0.00	0.00	\$4.48	\$0.00	La Vina Maintenance Corporation
678 620 07 00	0.84	OSP	A	0.00	0.00	\$4.48	\$0.00	La Vina Maintenance Corp
678 620 08 00	1.20	STR	A	0.00	0.00	\$4.48	\$0.00	La Vina Maintenance Corp
678 620 09 01	1.00	SFD	A	1.00	1.00	\$4.48	\$4.48	Alam Rasheda A
678 620 09 02	1.00	SFD	A	1.00	1.00	\$4.48	\$4.48	Sivanandam Sathiyamoorthy T&Sathiyamoorthy Latha
678 620 09 03	1.00	SFD	A	1.00	1.00	\$4.48	\$4.48	Umopathy Arunsundar&Subramanian Kavitha
678 620 09 04	1.00	SFD	A	1.00	1.00	\$4.48	\$4.48	Ibarrola Family Revocable Living Trust 12-17-21
678 620 09 05	1.00	SFD	A	1.00	1.00	\$4.48	\$4.48	Sherafatmand Sam
678 620 09 06	1.00	SFD	A	1.00	1.00	\$4.48	\$4.48	Remigio Ryan J&Jeaneath S
678 620 09 07	1.00	SFD	A	1.00	1.00	\$4.48	\$4.48	Vadapalli Manitej&Bade Sriekha
678 620 09 08	1.00	SFD	A	1.00	1.00	\$4.48	\$4.48	Zhang Zhaonian&Wang Weiping
678 620 09 09	1.00	SFD	A	1.00	1.00	\$4.48	\$4.48	Bhattacharya Family Trust 06-17-20
678 620 10 01	1.00	SFD	A	1.00	1.00	\$4.48	\$4.48	Liang Jie
678 620 10 02	1.00	SFD	A	1.00	1.00	\$4.48	\$4.48	Mohanty Living Trust 09-18-21
678 620 10 03	1.00	SFD	A	1.00	1.00	\$4.48	\$4.48	Trupp Carla L Trust 04-04-12
678 620 10 04	1.00	SFD	A	1.00	1.00	\$4.48	\$4.48	Do Keun Lock&Lee Mi Young
678 620 10 05	1.00	SFD	A	1.00	1.00	\$4.48	\$4.48	Miyoshi Family Trust 12-11-20
678 620 10 06	1.00	SFD	A	1.00	1.00	\$4.48	\$4.48	Zhang Wentian&Yong
678 620 11 01	1.00	SFD	A	1.00	1.00	\$4.48	\$4.48	Liu Limin&Jianmei
678 620 11 02	1.00	SFD	A	1.00	1.00	\$4.48	\$4.48	Channakrishnappa Pillappaiah Living Trust 12-17-20
678 620 11 03	1.00	SFD	A	1.00	1.00	\$4.48	\$4.48	Ingle Living Trust 09-17-20
678 620 11 04	1.00	SFD	A	1.00	1.00	\$4.48	\$4.48	Shah Sanket&Dhara
678 620 11 05	1.00	SFD	A	1.00	1.00	\$4.48	\$4.48	Shi Jin&Li Peihan
678 620 11 06	1.00	SFD	A	1.00	1.00	\$4.48	\$4.48	Zhou Zhengyu&Zhu Min
678 620 11 07	1.00	SFD	A	1.00	1.00	\$4.48	\$4.48	Sanding Anthony N&Maria R L
678 620 11 08	1.00	SFD	A	1.00	1.00	\$4.48	\$4.48	Yadlapalli Vikas&Yella Naga L
678 620 12 01	1.00	SFD	A	1.00	1.00	\$4.48	\$4.48	Kleist Michael J&Connie W
678 620 12 02	1.00	SFD	A	1.00	1.00	\$4.48	\$4.48	Vadlamudi Family Trust 05-05-22
678 620 12 03	1.00	SFD	A	1.00	1.00	\$4.48	\$4.48	Fang Bin&Li Wei
678 620 12 04	1.00	SFD	A	1.00	1.00	\$4.48	\$4.48	Miller Perry&Ann Family Trust
678 620 12 05	1.00	SFD	A	1.00	1.00	\$4.48	\$4.48	Lukmani Mustafa&Patanwala Tasneem
678 620 12 06	1.00	SFD	A	1.00	1.00	\$4.48	\$4.48	Liu Jun&Suo Lin
678 620 12 07	1.00	SFD	A	1.00	1.00	\$4.48	\$4.48	Rehmani Hamida Living Trust 09-22-15

EXHIBIT C - Assessment Roll (Fiscal Year 2024)

Black Mountain Ranch North Maintenance Assessment District

Parcel Number	Acres/ Units ⁽¹⁾	Land Use Code ⁽²⁾	Zone	Land Use Factor ⁽²⁾	Total EBUs	Unit Cost (\$/Ebu)	FY 2024 ⁽³⁾ Assessment	Owner Name
678 620 12 08	1.00	SFD	A	1.00	1.00	\$4.48	\$4.48	Mangjilal Kunal J&Jain Manali A
678 620 13 01	1.00	SFD	A	1.00	1.00	\$4.48	\$4.48	Patankar Namit M&Deshpande Apoorva
678 620 13 02	1.00	SFD	A	1.00	1.00	\$4.48	\$4.48	Amini Afsaneh
678 620 13 03	1.00	SFD	A	1.00	1.00	\$4.48	\$4.48	Huang Pohao&Ho Chi Hua
678 620 13 04	1.00	SFD	A	1.00	1.00	\$4.48	\$4.48	Maheshwari Naveen&Nishi
678 620 13 05	1.00	SFD	A	1.00	1.00	\$4.48	\$4.48	Muthukumar/Ramu 2016 Living Trust 12-12-16
678 620 13 06	1.00	SFD	A	1.00	1.00	\$4.48	\$4.48	Juneja Anupam&Kaira Sonal
678 620 14 01	1.00	SFD	A	1.00	1.00	\$4.48	\$4.48	Pattanayak Uttam&Shrabonti
678 620 14 02	1.00	SFD	A	1.00	1.00	\$4.48	\$4.48	Deanda Franco H&Jana
678 620 14 03	1.00	SFD	A	1.00	1.00	\$4.48	\$4.48	Latour Dan&Debra
678 620 14 04	1.00	SFD	A	1.00	1.00	\$4.48	\$4.48	Datla Naveen V&Buddaraju Sri U S T
678 620 14 05	1.00	SFD	A	1.00	1.00	\$4.48	\$4.48	Pacheco Jose R&Dina K
678 620 14 06	1.00	SFD	A	1.00	1.00	\$4.48	\$4.48	Lau Allen&Hu Ming
678 620 14 07	1.00	SFD	A	1.00	1.00	\$4.48	\$4.48	Tirumalai Krishna Dwipayana&Hullugundi Swathi Kris
678 620 14 08	1.00	SFD	A	1.00	1.00	\$4.48	\$4.48	Lakshmi Anand Family Trust 02-03-22
678 620 14 09	1.00	SFD	A	1.00	1.00	\$4.48	\$4.48	Mccrea Shawn&Hui Bobo
678 681 13 00	1.00	SFD	G	1.00	1.00	\$14.92	\$14.92	Greenwood Brent E&Sebastian Melani F
678 681 14 00	1.00	SFD	G	1.00	1.00	\$14.92	\$14.92	Chandra Varma Family Trust 08-02-17
678 681 15 00	1.00	SFD	G	1.00	1.00	\$14.92	\$14.92	Lafontaine Devin&Bernard Stephanie
678 681 16 00	1.00	SFD	G	1.00	1.00	\$14.92	\$14.92	Busse Brian C&Wong Christeanna
678 681 17 00	1.00	SFD	G	1.00	1.00	\$14.92	\$14.92	Vajda Family Trust 07-01-91
678 681 18 00	0.05	OSP	G	0.00	0.00	\$14.92	\$0.00	Del Sur Community Assn
678 681 19 00	1.00	SFD	G	1.00	1.00	\$14.92	\$14.92	Friedman Barry M Living Trust 06-25-20
678 681 20 00	1.00	SFD	G	1.00	1.00	\$14.92	\$14.92	Azimi Said R Revocable Trust 07-08-15
678 681 21 00	1.00	SFD	G	1.00	1.00	\$14.92	\$14.92	Alvi Carrie
678 681 22 00	1.00	SFD	G	1.00	1.00	\$14.92	\$14.92	Minner Thomas E&Lyons Holly M
678 681 23 00	1.00	SFD	G	1.00	1.00	\$14.92	\$14.92	Wang He&Xin Xin Living Trust 05-21-21
678 681 24 00	1.00	SFD	G	1.00	1.00	\$14.92	\$14.92	Hua Ryan&Tran Lori
678 681 25 00	1.00	SFD	G	1.00	1.00	\$14.92	\$14.92	Matevossian Vartan M&Kultan Kanokwan
678 681 26 00	1.00	SFD	G	1.00	1.00	\$14.92	\$14.92	Slater Michael S&Stephanie R
678 681 27 00	1.00	SFD	G	1.00	1.00	\$14.92	\$14.92	Franco Marietta Trust 01-10-15
678 681 28 00	1.00	SFD	G	1.00	1.00	\$14.92	\$14.92	Cabanayan Family Trust 06-22-18
678 681 29 00	1.00	SFD	G	1.00	1.00	\$14.92	\$14.92	Baek Chang-Ho&Soo-Mi Lee
678 681 30 00	1.00	SFD	G	1.00	1.00	\$14.92	\$14.92	Aghassi Sarah E 2014 Trust 02-27-14
678 681 31 00	1.00	SFD	G	1.00	1.00	\$14.92	\$14.92	Faulkner Family Revocable Trust 03-25-21
678 681 32 00	1.00	SFD	G	1.00	1.00	\$14.92	\$14.92	Gupta Rajesh&Bansal Shalini 2019 Family Trust
678 681 33 00	1.00	SFD	G	1.00	1.00	\$14.92	\$14.92	Bamford Maria T Living Trust 02-10-22
678 681 34 00	1.00	SFD	G	1.00	1.00	\$14.92	\$14.92	Viveiros David A&Katherine A
678 681 35 00	1.00	SFD	G	1.00	1.00	\$14.92	\$14.92	Marriott Tyler&Danielle
678 681 36 00	1.00	SFD	G	1.00	1.00	\$14.92	\$14.92	Fortuna Frederick L&Anna M
678 681 37 00	1.00	SFD	G	1.00	1.00	\$14.92	\$14.92	Robledo Jose A Family Trust 08-23-00
678 681 38 00	1.00	SFD	G	1.00	1.00	\$14.92	\$14.92	Venkatesh Shreyas S&Aggarwal Richa
678 681 39 00	1.00	SFD	G	1.00	1.00	\$14.92	\$14.92	Bach Living Trust 02-23-17
678 681 40 00	1.00	SFD	G	1.00	1.00	\$14.92	\$14.92	French Roy D Family Trust 04-07-86
678 681 41 00	1.00	SFD	G	1.00	1.00	\$14.92	\$14.92	Stavrou Dennis&Cortney 2017 Trust 04-11-17
678 681 42 00	1.00	SFD	G	1.00	1.00	\$14.92	\$14.92	Zhang&Yue Living Trust 01-29-21
678 681 43 00	1.00	SFD	G	1.00	1.00	\$14.92	\$14.92	Ross Family Trust 12-20-06
678 681 44 00	1.00	SFD	G	1.00	1.00	\$14.92	\$14.92	Choiniere Laura S
678 681 45 00	1.00	SFD	G	1.00	1.00	\$14.92	\$14.92	Sun Living Trust 06-23-21
678 681 46 00	1.00	SFD	G	1.00	1.00	\$14.92	\$14.92	Krishnan Prakash Living Trust 06-23-18
678 681 47 00	1.00	SFD	G	1.00	1.00	\$14.92	\$14.92	Izadi Hooman&Anna
678 681 48 00	1.00	SFD	G	1.00	1.00	\$14.92	\$14.92	Nikolaev Ivan&Dziomkina Nina V
678 681 49 00	1.00	SFD	G	1.00	1.00	\$14.92	\$14.92	Wheeler Eric&Tracey
678 681 50 00	1.00	SFD	G	1.00	1.00	\$14.92	\$14.92	Kancharla Chandra B G&Thoka Pravallika
678 681 51 00	1.00	SFD	G	1.00	1.00	\$14.92	\$14.92	Landau Aaron&Beatrice 2019 Revocable Trust 03-01-1
678 681 52 00	1.00	SFD	G	1.00	1.00	\$14.92	\$14.92	Rahm Amanda M
678 681 53 00	1.00	SFD	G	1.00	1.00	\$14.92	\$14.92	Lim Chae Jin&Jang Sungeun
678 681 54 00	1.00	SFD	G	1.00	1.00	\$14.92	\$14.92	Gouzoules David W&Anna S
678 681 55 00	1.00	SFD	G	1.00	1.00	\$14.92	\$14.92	Arredondo David C&Inzunza Rocio D J U

EXHIBIT C - Assessment Roll (Fiscal Year 2024)

Black Mountain Ranch North Maintenance Assessment District

Parcel Number	Acres/ Units ⁽¹⁾	Land Use Code ⁽²⁾	Zone	Land Use Factor ⁽²⁾	Total EBU's	Unit Cost (\$/EBU)	FY 2024 ⁽³⁾ Assessment	Owner Name
678 681 56 00	1.00	SFD	G	1.00	1.00	\$14.92	\$14.92	Garza William A&Marino Lisa
678 681 57 00	1.00	SFD	G	1.00	1.00	\$14.92	\$14.92	Shah Aditya&Reema
678 681 58 00	1.00	SFD	G	1.00	1.00	\$14.92	\$14.92	Switzer Patrick G&Ashley L M
678 681 59 00	1.00	SFD	G	1.00	1.00	\$14.92	\$14.92	Sim Jae Jeon
678 681 60 00	1.00	SFD	G	1.00	1.00	\$14.92	\$14.92	Haines Dylan J&Dakota S
678 681 61 00	1.17	OSP	G	0.00	0.00	\$14.92	\$0.00	Black Mountain Ranch L L C
678 681 62 00	0.03	OSP	G	0.00	0.00	\$14.92	\$0.00	Black Mountain Ranch L L C
678 681 64 01	1.00	CND	G	0.70	0.70	\$14.92	\$10.44	Kosuri Chiranjeevi M
678 681 64 02	1.00	CND	G	0.70	0.70	\$14.92	\$10.44	Wanner Philip&Jennifer Family Trust 11-05-21 Et Al
678 681 64 03	1.00	CND	G	0.70	0.70	\$14.92	\$10.44	Jayaraman Babu&Reddy Kavitha N
678 681 64 04	1.00	CND	G	0.70	0.70	\$14.92	\$10.44	Wang Michael&Diana K
678 681 64 05	1.00	CND	G	0.70	0.70	\$14.92	\$10.44	Singavarapu Kalyan&Yamani Bhavani
678 681 64 06	1.00	CND	G	0.70	0.70	\$14.92	\$10.44	Sivasubramaniam Shrihari P&Ravindran Sowpemika
678 681 65 01	1.00	CND	G	0.70	0.70	\$14.92	\$10.44	Jessie Family Trust 10-06-22
678 681 65 02	1.00	CND	G	0.70	0.70	\$14.92	\$10.44	Lopez David C
678 681 65 03	1.00	CND	G	0.70	0.70	\$14.92	\$10.44	Panarelli-Kemple Family Trust 03-13-17
678 681 65 04	1.00	CND	G	0.70	0.70	\$14.92	\$10.44	Adams Family Trust 05-19-20
678 681 65 05	1.00	CND	G	0.70	0.70	\$14.92	\$10.44	Gomola Jason&Krystal
678 681 65 06	1.00	CND	G	0.70	0.70	\$14.92	\$10.44	Kashani Kianoush B&Raissan Yassaman
678 681 66 01	1.00	CND	G	0.70	0.70	\$14.92	\$10.44	Zhang Xiaoping
678 681 66 02	1.00	CND	G	0.70	0.70	\$14.92	\$10.44	Nguyen Christine A
678 681 66 03	1.00	CND	G	0.70	0.70	\$14.92	\$10.44	Federhart Jay
678 681 66 04	1.00	CND	G	0.70	0.70	\$14.92	\$10.44	Salzman Phillip&Wu Chia Chien
678 681 66 05	1.00	CND	G	0.70	0.70	\$14.92	\$10.44	Osborn Taylor C&Keating Breann M
678 681 66 06	1.00	CND	G	0.70	0.70	\$14.92	\$10.44	So Johnny K&Amy Living Trust 07-25-05
678 681 67 01	1.00	CND	G	0.70	0.70	\$14.92	\$10.44	Chinnaiah-Gangaiah Family Trust 10-08-15
678 681 67 02	1.00	CND	G	0.70	0.70	\$14.92	\$10.44	Barrow Daniel R&Michele M
678 681 67 03	1.00	CND	G	0.70	0.70	\$14.92	\$10.44	Vann Carol A Living Trust 10-22-16
678 681 67 04	1.00	CND	G	0.70	0.70	\$14.92	\$10.44	Mojonnier Scott D Trust 08-04-16
678 681 67 05	1.00	CND	G	0.70	0.70	\$14.92	\$10.44	Sun Mingyi&Liu Hongyu
678 681 68 01	1.00	CND	G	0.70	0.70	\$14.92	\$10.44	Tan Nathan&He Beijia
678 681 68 02	1.00	CND	G	0.70	0.70	\$14.92	\$10.44	Zhou Revocable Living Trust 03-06-14
678 681 68 03	1.00	CND	G	0.70	0.70	\$14.92	\$10.44	Mettu Chaitanya R&Kommareddi Anjana R
678 681 68 04	1.00	CND	G	0.70	0.70	\$14.92	\$10.44	Mun John&Seo Gooyoung
678 681 69 01	1.00	CND	G	0.70	0.70	\$14.92	\$10.44	Sloustcher Family Trust 01-21-21
678 681 69 02	1.00	CND	G	0.70	0.70	\$14.92	\$10.44	Zhang Shi C&Ding Xiao Mei
678 681 69 03	1.00	CND	G	0.70	0.70	\$14.92	\$10.44	Maharana Family Trust 03-08-21
678 681 69 04	1.00	CND	G	0.70	0.70	\$14.92	\$10.44	Ghouse Syed S&Abiddin Noorjahan B Z
678 681 69 05	1.00	CND	G	0.70	0.70	\$14.92	\$10.44	Mao Xiuzhu
678 681 69 06	1.00	CND	G	0.70	0.70	\$14.92	\$10.44	Rane Ashutosh A
678 681 71 01	1.00	CND	G	0.70	0.70	\$14.92	\$10.44	Brody Seth E&Emily R
678 681 71 02	1.00	CND	G	0.70	0.70	\$14.92	\$10.44	Vanbuskirk Kyle
678 681 71 03	1.00	CND	G	0.70	0.70	\$14.92	\$10.44	Baranowski Family Trust 11-21-13
678 681 71 04	1.00	CND	G	0.70	0.70	\$14.92	\$10.44	Logue Adam R&Amanda R
678 681 71 05	1.00	CND	G	0.70	0.70	\$14.92	\$10.44	Mukherjee Somenath&Sudipta
678 681 71 06	1.00	CND	G	0.70	0.70	\$14.92	\$10.44	K R S R E Llc
678 681 71 07	1.00	CND	G	0.70	0.70	\$14.92	\$10.44	Kim Jin H&Ryoko F
678 681 71 08	1.00	CND	G	0.70	0.70	\$14.92	\$10.44	Biggs Stephen&Pamella Living Trust 07-08-15
678 681 71 09	1.00	CND	G	0.70	0.70	\$14.92	\$10.44	Cho Taeyu
678 681 71 10	1.00	CND	G	0.70	0.70	\$14.92	\$10.44	Bay Hamed Hosseini&Bahmani Baharak
678 681 71 11	1.00	CND	G	0.70	0.70	\$14.92	\$10.44	O'Brien Heather E&Thomas J
678 681 71 12	1.00	CND	G	0.70	0.70	\$14.92	\$10.44	Sanka Ganga R&Rajani
678 681 72 00	3.53	STR	G	0.00	0.00	\$14.92	\$0.00	Calatlantic Group Inc
678 682 02 00	1.00	SFD	G	1.00	1.00	\$14.92	\$14.92	Zhang&Yue Living Trust 01-29-21
678 682 03 00	1.00	SFD	G	1.00	1.00	\$14.92	\$14.92	Chang Sungho&Ahn Suna
678 682 04 00	1.00	SFD	G	1.00	1.00	\$14.92	\$14.92	Prasannakumar&Priya Revocable Trust 02-22-22
678 682 05 00	1.00	SFD	G	1.00	1.00	\$14.92	\$14.92	Basavanahalli Kumaraswamy&Srinivasan Sandhya
678 682 06 00	1.00	SFD	G	1.00	1.00	\$14.92	\$14.92	Pulimamidi/Boorgula Living Trust 01-08-19
678 682 07 00	1.00	SFD	G	1.00	1.00	\$14.92	\$14.92	Huang Li

EXHIBIT C - Assessment Roll (Fiscal Year 2024)

Black Mountain Ranch North Maintenance Assessment District

Parcel Number	Acres/ Units ⁽¹⁾	Land Use Code ⁽²⁾	Zone	Land Use Factor ⁽²⁾	Total EBUs	Unit Cost (\$/Ebu)	FY 2024 ⁽³⁾ Assessment	Owner Name
678 682 08 00	1.00	SFD	G	1.00	1.00	\$14.92	\$14.92	Wang Hsiang-Chen Living Trust 08-31-15
678 682 09 00	1.00	SFD	G	1.00	1.00	\$14.92	\$14.92	Koo Vivian D Revocable Trust 02-22-16
678 682 10 00	1.00	SFD	G	1.00	1.00	\$14.92	\$14.92	Alpern Noah B&Levin Adrienne J Living Trust 12-03-
678 682 11 00	1.00	SFD	G	1.00	1.00	\$14.92	\$14.92	Khanani Abdulsamad&Sarah
678 682 12 00	1.00	SFD	G	1.00	1.00	\$14.92	\$14.92	Vaka Sudhir K&Tata Ramya
678 682 13 00	1.00	SFD	G	1.00	1.00	\$14.92	\$14.92	Sinha Ranjan&Verma Rinku
678 682 14 00	1.00	SFD	G	1.00	1.00	\$14.92	\$14.92	Smith Merrill G Qualified Person Residence Trust 1
678 682 15 00	1.00	SFD	G	1.00	1.00	\$14.92	\$14.92	Kim Edward Jungwoo&Shannon Leung
678 682 16 00	1.00	SFD	G	1.00	1.00	\$14.92	\$14.92	Sivakumar Ramkumar&Chandrasekar Vaani
678 682 17 00	1.00	SFD	G	1.00	1.00	\$14.92	\$14.92	Jasnoch Family Trust 04-16-21
678 682 18 00	1.00	SFD	G	1.00	1.00	\$14.92	\$14.92	Zhou Heyue&Yang Zhiruliving Trust 10-15-20
678 682 19 00	1.00	SFD	G	1.00	1.00	\$14.92	\$14.92	Quach Kinh T&Ha Kim-Hoa T
678 682 20 00	1.00	SFD	G	1.00	1.00	\$14.92	\$14.92	Malik Omar&Rane Aboli Family Trust 11-13-20
678 682 21 00	1.00	SFD	G	1.00	1.00	\$14.92	\$14.92	Patel Baadal H&Rachana B
678 682 22 00	1.00	SFD	G	1.00	1.00	\$14.92	\$14.92	Goodwin Keith
678 682 23 00	1.00	SFD	G	1.00	1.00	\$14.92	\$14.92	Bianchi Shawn&Mariana
678 682 24 00	1.00	SFD	G	1.00	1.00	\$14.92	\$14.92	Lee Seokjin&Park Sun Young
678 682 25 00	1.00	SFD	G	1.00	1.00	\$14.92	\$14.92	Che Nuo
678 682 26 00	1.00	SFD	G	1.00	1.00	\$14.92	\$14.92	Liu Hang&Zhao Shuhua
678 682 27 00	1.00	SFD	G	1.00	1.00	\$14.92	\$14.92	Paka Suresh&Gnaneswar Vijaya V A
678 682 28 00	1.00	SFD	G	1.00	1.00	\$14.92	\$14.92	Jarang Family Trust 06-24-17
678 682 29 00	1.00	SFD	G	1.00	1.00	\$14.92	\$14.92	Mareboina Naveen&Udaya 2017 Family Trust
678 682 30 00	1.00	SFD	G	1.00	1.00	\$14.92	\$14.92	Kikuchi Shota&Chikako
678 682 31 00	1.00	SFD	G	1.00	1.00	\$14.92	\$14.92	Cho Yoon&Jennifer Family Trust 02-11-15
678 682 32 00	1.00	SFD	G	1.00	1.00	\$14.92	\$14.92	Cho Aaron Jinhyun&Hannah Jieun
678 682 33 00	1.00	SFD	G	1.00	1.00	\$14.92	\$14.92	Mcquire Christopher H&Nicole R
678 682 34 00	1.00	SFD	G	1.00	1.00	\$14.92	\$14.92	Huang Wei&Tao Fei
678 682 35 00	1.00	SFD	G	1.00	1.00	\$14.92	\$14.92	Yue Dao Family Trust 02-03-17
678 682 36 00	1.00	SFD	G	1.00	1.00	\$14.92	\$14.92	Duranceau Jason&Carrie
678 682 37 00	1.00	SFD	G	1.00	1.00	\$14.92	\$14.92	Billimoria Paul P&Christina P Family Trust 10-31-0
678 682 38 00	1.00	SFD	G	1.00	1.00	\$14.92	\$14.92	Rath Daravan&Diaz Carla
678 682 39 00	1.00	SFD	G	1.00	1.00	\$14.92	\$14.92	Lung Trevor O&Ashlee A
678 682 40 00	1.00	SFD	G	1.00	1.00	\$14.92	\$14.92	Warren David D&Jennifer
678 682 47 00	2.43	OSP	G	0.00	0.00	\$14.92	\$0.00	Del Sur Community Assn
678 682 48 00	4.17	OSP	G	0.00	0.00	\$14.92	\$0.00	Del Sur Community Assn
678 682 49 00	0.03	OSP	G	0.00	0.00	\$14.92	\$0.00	Del Sur Community Association
678 682 50 00	0.03	OSP	G	0.00	0.00	\$14.92	\$0.00	Del Sur Community Assn
678 682 51 00	0.04	OSP	G	0.00	0.00	\$14.92	\$0.00	Del Sur Community Assn
678 682 53 00	0.04	OSP	G	0.00	0.00	\$14.92	\$0.00	Black Mountain Ranch L L C
678 682 54 00	0.04	OSP	G	0.00	0.00	\$14.92	\$0.00	Black Mountain Ranch L L C
678 682 55 00	0.02	OSP	G	0.00	0.00	\$14.92	\$0.00	Black Mountain Ranch L L C
678 682 56 00	0.02	OSP	G	0.00	0.00	\$14.92	\$0.00	Black Mountain Ranch L L C
678 682 57 00	0.19	STR	G	0.00	0.00	\$14.92	\$0.00	Del Sur Community Assn
678 682 58 00	0.14	STR	G	0.00	0.00	\$14.92	\$0.00	Black Mountain Ranch L L C
678 682 59 00	0.06	STR	G	0.00	0.00	\$14.92	\$0.00	Black Mountain Ranch L L C
678 682 60 00	0.05	OSP	G	0.00	0.00	\$14.92	\$0.00	Del Sur Community Assn
678 682 61 00	0.04	OSP	G	0.00	0.00	\$14.92	\$0.00	Del Sur Community Assn
678 682 62 00	0.03	OSP	G	0.00	0.00	\$14.92	\$0.00	Del Sur Community Assn
678 682 63 00	0.06	OSP	G	0.00	0.00	\$14.92	\$0.00	Del Sur Community Assn
678 682 64 00	0.05	STR	G	0.00	0.00	\$14.92	\$0.00	Del Sur Community Assn
678 682 65 00	0.48	STR	G	0.00	0.00	\$14.92	\$0.00	Black Mountain Ranch L L C
678 682 66 00	0.15	STR	G	0.00	0.00	\$14.92	\$0.00	Black Mountain Ranch L L C
678 682 67 00	0.17	STR	G	0.00	0.00	\$14.92	\$0.00	Del Sur Community Assn
678 682 77 00	1.00	SFD	G	1.00	1.00	\$14.92	\$14.92	Patil Shanbhag Family Trust 03-11-21
678 682 78 00	1.00	SFD	G	1.00	1.00	\$14.92	\$14.92	Brodbeck Trust 01-17-22
678 682 82 00	0.39	OSP	G	0.00	0.00	\$14.92	\$0.00	Black Mountain Ranch L L C
678 682 83 00	0.39	OSP	G	0.00	0.00	\$14.92	\$0.00	Black Mountain Ranch L L C
678 682 84 00	0.13	OSP	G	0.00	0.00	\$14.92	\$0.00	Del Sur Community Assn
678 682 86 00	0.11	OSP	G	0.00	0.00	\$14.92	\$0.00	Del Sur Community Assn

EXHIBIT C - Assessment Roll (Fiscal Year 2024)
Black Mountain Ranch North Maintenance Assessment District

Parcel Number	Acres/ Units ⁽¹⁾	Land Use Code ⁽²⁾	Zone	Land Use Factor ⁽²⁾	Total EBU's	Unit Cost (\$/EBU)	FY 2024 ⁽³⁾ Assessment	Owner Name
678 682 87 00	0.82	PKU	G	0.50	0.41	\$14.92	\$6.12	Del Sur Community Association
678 682 88 00	0.37	OSP	G	0.00	0.00	\$14.92	\$0.00	Black Mountain Ranch L L C
678 682 89 00	1.00	SFD	G	1.00	1.00	\$14.92	\$14.92	Habashi Afshin&Maryam
678 682 92 00	2.09	OSP	G	0.00	0.00	\$14.92	\$0.00	Del Sur Community Association
678 682 95 00	1.00	SFD	G	1.00	1.00	\$14.92	\$14.92	Lampert David&Bridget Trust 12-16-15
678 682 96 00	1.00	SFD	G	1.00	1.00	\$14.92	\$14.92	Li Fang Living Trust 08-04-20
678 683 01 00	1.00	SFD	G	1.00	1.00	\$14.92	\$14.92	Neiner Jason&Chou Patricia Revocable Living Trust
678 683 02 00	1.00	SFD	G	1.00	1.00	\$14.92	\$14.92	Shorb Jason&Elyce Living Trust 05-30-19
678 683 03 00	1.00	SFD	G	1.00	1.00	\$14.92	\$14.92	Zheng Dongqiang&Tan Weiwei
678 683 04 00	1.00	SFD	G	1.00	1.00	\$14.92	\$14.92	Youm Chan Hak&Chi Nayoung
678 683 05 00	1.00	SFD	G	1.00	1.00	\$14.92	\$14.92	Hammer Daniel&Christine
678 683 06 00	1.00	SFD	G	1.00	1.00	\$14.92	\$14.92	Zhang Donghui&Chen Yuqing
678 683 07 00	1.00	SFD	G	1.00	1.00	\$14.92	\$14.92	Chukkala Vishwanath&Parre Shruthi
678 683 08 00	1.00	SFD	G	1.00	1.00	\$14.92	\$14.92	Lee Justin Y&Fung Michelle M
678 683 09 00	1.00	SFD	G	1.00	1.00	\$14.92	\$14.92	Fan Reuben H&Misra Sunita N
678 683 10 00	1.00	SFD	G	1.00	1.00	\$14.92	\$14.92	Frendi Christopher&Nicole
678 683 11 00	1.00	SFD	G	1.00	1.00	\$14.92	\$14.92	Jaime Carlo E C
678 683 12 00	1.00	SFD	G	1.00	1.00	\$14.92	\$14.92	Mijares Richard J&Rachel J
678 683 13 00	1.00	SFD	G	1.00	1.00	\$14.92	\$14.92	Korkmaz Melih&Aylin
678 683 14 00	1.00	SFD	G	1.00	1.00	\$14.92	\$14.92	Zang Chen Family Trust 11-30-17
678 683 15 00	1.00	SFD	G	1.00	1.00	\$14.92	\$14.92	Pamashy Family Trust 01-07-19
678 683 16 00	1.00	SFD	G	1.00	1.00	\$14.92	\$14.92	Kapdi Sunny B&Panchal Dhruva J
678 683 17 00	1.00	SFD	G	1.00	1.00	\$14.92	\$14.92	Kim Christopher J&Rosa F Cheuk
678 683 18 00	1.00	SFD	G	1.00	1.00	\$14.92	\$14.92	Lutgen Wade M&Gaal Emese
678 683 19 00	1.00	SFD	G	1.00	1.00	\$14.92	\$14.92	Gebreselassie Sisay N&Zeweldi Mulu A
678 683 20 00	1.00	SFD	G	1.00	1.00	\$14.92	\$14.92	Chin Family 2018 Living Trust 12-10-18
678 683 21 00	1.00	SFD	G	1.00	1.00	\$14.92	\$14.92	Gaylis Joshua
678 683 22 00	1.00	SFD	G	1.00	1.00	\$14.92	\$14.92	Sami Bijan&Adib Mahsa
678 683 23 00	1.00	SFD	G	1.00	1.00	\$14.92	\$14.92	Salimi Ramadev Family Trust 03-02-17
678 683 24 00	1.00	SFD	G	1.00	1.00	\$14.92	\$14.92	Arekat Hazem&Sahar
678 683 25 00	1.00	SFD	G	1.00	1.00	\$14.92	\$14.92	Oreshack Family Revocable Trust 08-14-09
678 683 26 00	1.00	SFD	G	1.00	1.00	\$14.92	\$14.92	Shaukat Fawad&Tania R
678 683 27 00	1.00	SFD	G	1.00	1.00	\$14.92	\$14.92	Iribarren Miguel&Sonja
678 683 28 00	1.00	SFD	G	1.00	1.00	\$14.92	\$14.92	Brenneis James A&Potenziani Cyrena K
678 683 29 00	1.00	SFD	G	1.00	1.00	\$14.92	\$14.92	Montalvo-Lugo Victor M&Janette
678 683 30 00	1.00	SFD	G	1.00	1.00	\$14.92	\$14.92	Hunter Brent&Barbara
678 683 31 00	1.00	SFD	G	1.00	1.00	\$14.92	\$14.92	Sherwood Jennifer
678 683 32 00	1.00	SFD	G	1.00	1.00	\$14.92	\$14.92	Singh Chitranjan K&Sarita
678 683 33 00	1.00	SFD	G	1.00	1.00	\$14.92	\$14.92	Dayana Family Trust 05-28-09
678 683 34 00	1.00	SFD	G	1.00	1.00	\$14.92	\$14.92	Li Zhong Ze&Song Zan Bei
678 683 35 00	1.00	SFD	G	1.00	1.00	\$14.92	\$14.92	Badri Omeed&Lani Trust 03-04-12
678 683 36 00	1.00	SFD	G	1.00	1.00	\$14.92	\$14.92	Hansen Michael D&Michelle F Family Trust 10-16-19
678 683 37 00	1.00	SFD	G	1.00	1.00	\$14.92	\$14.92	Pham Lan Nhu Revocable Trust 12-15-18
678 683 38 00	1.00	SFD	G	1.00	1.00	\$14.92	\$14.92	E B Family Trust 01-09-15
678 683 39 00	1.00	SFD	G	1.00	1.00	\$14.92	\$14.92	Soliguen Max V&Aurora M
678 683 40 00	1.00	SFD	G	1.00	1.00	\$14.92	\$14.92	Tal Lior&Gili Family Trust 10-22-20
678 683 41 00	0.79	PKU	G	0.50	0.40	\$14.92	\$5.88	Black Mountain Ranch L L C
678 683 42 00	0.43	OSP	G	0.00	0.00	\$14.92	\$0.00	Del Sur Community Assn
678 683 43 00	0.06	OSP	G	0.00	0.00	\$14.92	\$0.00	Del Sur Community Assn
678 683 44 00	0.03	OSP	G	0.00	0.00	\$14.92	\$0.00	Del Sur Community Assn
678 683 45 00	0.04	OSP	G	0.00	0.00	\$14.92	\$0.00	Del Sur Community Assn
678 683 46 00	0.04	OSP	G	0.00	0.00	\$14.92	\$0.00	Del Sur Community Assn
678 683 47 00	0.03	OSP	G	0.00	0.00	\$14.92	\$0.00	Del Sur Community Assn
678 683 48 00	0.03	OSP	G	0.00	0.00	\$14.92	\$0.00	Del Sur Community Assn
678 683 49 00	0.17	STR	G	0.00	0.00	\$14.92	\$0.00	Del Sur Community Assn
678 683 50 00	0.04	OSP	G	0.00	0.00	\$14.92	\$0.00	Black Mountain Ranch L L C
678 683 51 00	0.06	STR	G	0.00	0.00	\$14.92	\$0.00	Del Sur Community Assn
678 683 52 00	0.19	STR	G	0.00	0.00	\$14.92	\$0.00	Del Sur Community Assn
678 683 53 00	0.19	STR	G	0.00	0.00	\$14.92	\$0.00	Del Sur Community Assn

EXHIBIT C - Assessment Roll (Fiscal Year 2024)

Black Mountain Ranch North Maintenance Assessment District

Parcel Number	Acres/ Units ⁽¹⁾	Land Use Code ⁽²⁾	Zone	Land Use Factor ⁽²⁾	Total EBUs	Unit Cost (\$/Ebu)	FY 2024 ⁽³⁾ Assessment	Owner Name
678 683 54 00	0.23	STR	G	0.00	0.00	\$14.92	\$0.00	Black Mountain Ranch L L C
678 683 55 00	0.05	OSP	G	0.00	0.00	\$14.92	\$0.00	Del Sur Community Assn
678 684 01 00	1.00	SFD	G	1.00	1.00	\$14.92	\$14.92	Davis Phillip L&Taliaferro Rita J
678 684 02 00	1.00	SFD	G	1.00	1.00	\$14.92	\$14.92	Potash Family Trust 07-27-12
678 684 03 00	1.00	SFD	G	1.00	1.00	\$14.92	\$14.92	Bradshaw Michael&Stephanie L
678 684 04 00	1.00	SFD	G	1.00	1.00	\$14.92	\$14.92	Kolker Matthew A&Michelle C
678 684 05 00	1.00	SFD	G	1.00	1.00	\$14.92	\$14.92	Balasubramanian Sairam&Sethuraman Brathibba
678 684 06 00	1.00	SFD	G	1.00	1.00	\$14.92	\$14.92	Voss Andrew M
678 684 09 00	1.00	SFD	G	1.00	1.00	\$14.92	\$14.92	Koller Principal Living Trust 07-17-13
678 684 10 00	1.00	SFD	G	1.00	1.00	\$14.92	\$14.92	Shahapurkar-Sadanand Family Trust
678 684 11 00	1.00	SFD	G	1.00	1.00	\$14.92	\$14.92	Kumar Sanjay&Arunee
678 684 12 00	1.00	SFD	G	1.00	1.00	\$14.92	\$14.92	Chan Family Trust 12-20-17
678 684 13 00	1.00	SFD	G	1.00	1.00	\$14.92	\$14.92	Reed Shane&Alison
678 684 14 00	1.00	SFD	G	1.00	1.00	\$14.92	\$14.92	Baltuskonis Derek&Patel Lauren
678 684 15 00	1.00	SFD	G	1.00	1.00	\$14.92	\$14.92	Witt Steven G&Beth A
678 684 16 00	1.00	SFD	G	1.00	1.00	\$14.92	\$14.92	Lebrun Raymond&Kristina
678 684 17 00	1.00	SFD	G	1.00	1.00	\$14.92	\$14.92	Meeter Family Revocable Living Trust 06-29-16
678 684 18 00	1.00	SFD	G	1.00	1.00	\$14.92	\$14.92	Sundarmurthy Keerthi R&Keerthi Madhumathi
678 684 19 00	1.00	SFD	G	1.00	1.00	\$14.92	\$14.92	Khan Mohammed N H&Zeeda Farah
678 684 20 00	1.00	SFD	G	1.00	1.00	\$14.92	\$14.92	Pervez Rizwan
678 684 21 00	1.00	SFD	G	1.00	1.00	\$14.92	\$14.92	Burke Darren J&Patricia E 03-06-15
678 684 27 00	6.32	OSP	G	0.00	0.00	\$14.92	\$0.00	Del Sur Community Association
678 684 29 00	0.11	OSP	G	0.00	0.00	\$14.92	\$0.00	Del Sur Community Association
678 684 33 00	1.00	SFD	G	1.00	1.00	\$14.92	\$14.92	Meggars Albert&Ashlea
678 684 34 00	1.00	SFD	G	1.00	1.00	\$14.92	\$14.92	Haragely Steven&Teresa
678 685 01 00	1.00	SFD	G	1.00	1.00	\$14.92	\$14.92	Anderson Gregory S&Cindy K
678 685 02 00	1.00	SFD	G	1.00	1.00	\$14.92	\$14.92	Rao Rohit
678 685 03 00	1.00	SFD	G	1.00	1.00	\$14.92	\$14.92	Atwood Michael S
678 685 04 00	1.00	SFD	G	1.00	1.00	\$14.92	\$14.92	Choy Gary T&Merilee G
678 685 05 00	1.00	SFD	G	1.00	1.00	\$14.92	\$14.92	Quayle Steven M&Aubrey T
678 685 06 00	1.00	SFD	G	1.00	1.00	\$14.92	\$14.92	Sampath Family Trust 02-07-11
678 685 07 00	1.00	SFD	G	1.00	1.00	\$14.92	\$14.92	Seetharamaiah Family Trust 10-24-19
678 685 08 00	1.00	SFD	G	1.00	1.00	\$14.92	\$14.92	Sankhya Trust 04-28-16
678 685 09 00	1.00	SFD	G	1.00	1.00	\$14.92	\$14.92	Dunlap Family Trust 05-21-09
678 685 10 00	1.00	SFD	G	1.00	1.00	\$14.92	\$14.92	Henson Family Trust 01-18-17
678 685 11 00	1.00	SFD	G	1.00	1.00	\$14.92	\$14.92	Hanson Family Trust 12-15-10
678 685 12 00	1.00	SFD	G	1.00	1.00	\$14.92	\$14.92	Ekeroth Daniel&Erin
678 685 13 00	1.00	SFD	G	1.00	1.00	\$14.92	\$14.92	Tan Family Living 2016 Trust 05-06-16
678 685 14 00	1.00	SFD	G	1.00	1.00	\$14.92	\$14.92	Takenaga Marc M&Chang Michelle
678 685 15 00	1.00	SFD	G	1.00	1.00	\$14.92	\$14.92	Mcvey Lauren B
678 685 16 00	1.00	SFD	G	1.00	1.00	\$14.92	\$14.92	Goodman Seth A&Chan Dana Family Trust 09-13-19
678 685 17 00	1.00	SFD	G	1.00	1.00	\$14.92	\$14.92	Spittler-Petersen Family Trust 10-20-14
678 685 18 00	1.00	SFD	G	1.00	1.00	\$14.92	\$14.92	Moroz Carole J Revocable Trust 06-03-16
678 685 19 00	1.00	SFD	G	1.00	1.00	\$14.92	\$14.92	Ye William&Natalie
678 685 20 00	1.00	SFD	G	1.00	1.00	\$14.92	\$14.92	Hullings Kenneth A Jr&Lori W
678 685 21 00	1.00	SFD	G	1.00	1.00	\$14.92	\$14.92	Mcquire Christopher S&Kristen S
678 685 22 00	1.00	SFD	G	1.00	1.00	\$14.92	\$14.92	Patel Amit B&Seema M
678 685 23 00	1.00	SFD	G	1.00	1.00	\$14.92	\$14.92	Chhawchharia Harsh
678 685 24 00	1.00	SFD	G	1.00	1.00	\$14.92	\$14.92	Nair Family 2021 Living Trust 06-17-21
678 685 25 00	1.00	SFD	G	1.00	1.00	\$14.92	\$14.92	Mager Michael J&Aimee L
678 685 26 00	1.00	SFD	G	1.00	1.00	\$14.92	\$14.92	Anand Rajeeve M&Primarlyn E
678 685 27 00	1.00	SFD	G	1.00	1.00	\$14.92	\$14.92	Ranka Jinendra&Tripti
678 685 28 00	1.00	SFD	G	1.00	1.00	\$14.92	\$14.92	Withee Brett&Krista Family 2013 Trust 12-02-13
678 685 29 00	1.00	SFD	G	1.00	1.00	\$14.92	\$14.92	Chen Woon Hay Paul&Hsieh Pauline Pei-Lan
678 685 30 00	1.00	SFD	G	1.00	1.00	\$14.92	\$14.92	Cariquitan Arvin K&Malonzo-Cariquitan Miriam K
678 685 31 00	1.00	SFD	G	1.00	1.00	\$14.92	\$14.92	Tran John A&Jayne L
678 685 32 00	1.00	SFD	G	1.00	1.00	\$14.92	\$14.92	Sandra Robert S&Rachel G Family Trust 10-25-21
678 685 33 00	1.00	SFD	G	1.00	1.00	\$14.92	\$14.92	Eger Family Trust
678 685 34 00	1.00	SFD	G	1.00	1.00	\$14.92	\$14.92	Moolani Ramesh&Ujjala

EXHIBIT C - Assessment Roll (Fiscal Year 2024)

Black Mountain Ranch North Maintenance Assessment District

Parcel Number	Acres/ Units ⁽¹⁾	Land Use Code ⁽²⁾	Zone	Land Use Factor ⁽²⁾	Total EBUs	Unit Cost (\$/Ebu)	FY 2024 ⁽³⁾ Assessment	Owner Name
678 685 35 00	1.00	SFD	G	1.00	1.00	\$14.92	\$14.92	He Jianqiang&Qin Yang
678 685 36 00	0.02	OSP	G	0.00	0.00	\$14.92	\$0.00	Black Mountain Ranch L L C
678 686 01 00	1.00	SFD	G	1.00	1.00	\$14.92	\$14.92	Wolff Eric D&Krista M
678 686 02 00	1.00	SFD	G	1.00	1.00	\$14.92	\$14.92	Weston Robert&Fiona
678 686 03 00	1.00	SFD	G	1.00	1.00	\$14.92	\$14.92	Kantor Larry&Paola
678 686 04 00	1.00	SFD	G	1.00	1.00	\$14.92	\$14.92	Miranda Family Trust 06-11-21
678 686 05 00	1.00	SFD	G	1.00	1.00	\$14.92	\$14.92	Dolan Michael J
678 686 06 00	1.00	SFD	G	1.00	1.00	\$14.92	\$14.92	Perkins Patrick N&Loofbourrow Jenny M
678 686 07 00	1.00	SFD	G	1.00	1.00	\$14.92	\$14.92	Waggoner James F&Perri Deborah L
678 686 08 00	1.00	SFD	G	1.00	1.00	\$14.92	\$14.92	Diraimo Carol A Revocable Trust 06-26-15
678 686 09 00	1.00	SFD	G	1.00	1.00	\$14.92	\$14.92	Cobb Shawn&Lindsey
678 686 10 00	1.00	SFD	G	1.00	1.00	\$14.92	\$14.92	Mercer Garrett J&Lena R
678 686 11 00	1.00	SFD	G	1.00	1.00	\$14.92	\$14.92	Steinhauser Living Trust 09-21-17
678 686 12 00	1.00	SFD	G	1.00	1.00	\$14.92	\$14.92	Petersen Family Trust 10-07-16
678 686 13 00	1.00	SFD	G	1.00	1.00	\$14.92	\$14.92	Walker Robert D&Stephanie L
678 686 14 00	1.00	SFD	G	1.00	1.00	\$14.92	\$14.92	Carlson Family Trust 12-18-18
678 686 15 00	1.00	SFD	G	1.00	1.00	\$14.92	\$14.92	Paynedice Family Trust 11-22-20
678 686 16 00	1.00	SFD	G	1.00	1.00	\$14.92	\$14.92	Tian Allen S&Bi Yu
678 686 17 00	1.00	SFD	G	1.00	1.00	\$14.92	\$14.92	A S P Rastogi Trust 02-08-21
678 686 18 00	1.00	SFD	G	1.00	1.00	\$14.92	\$14.92	Reese Richard&Natalie Family Trust 07-27-20
678 686 19 00	1.00	SFD	G	1.00	1.00	\$14.92	\$14.92	Daley Kevin J&Tracey M
678 686 20 00	1.00	SFD	G	1.00	1.00	\$14.92	\$14.92	Wang Yijie John
678 686 21 00	1.00	SFD	G	1.00	1.00	\$14.92	\$14.92	Gardner Ben A&Amy D
678 686 22 00	1.00	SFD	G	1.00	1.00	\$14.92	\$14.92	Hemperly Stephen E&Amy V
678 686 23 00	1.00	SFD	G	1.00	1.00	\$14.92	\$14.92	Dickey David&Yadira
678 686 24 00	1.00	SFD	G	1.00	1.00	\$14.92	\$14.92	Xu Shan Bei&Chen Ying Yu
678 686 25 00	1.00	SFD	G	1.00	1.00	\$14.92	\$14.92	Lim Sang Soon&Heo Youn Je
678 686 26 00	1.00	SFD	G	1.00	1.00	\$14.92	\$14.92	Pusala Siva P&Manda Nirmala S
678 686 27 00	1.00	SFD	G	1.00	1.00	\$14.92	\$14.92	Megally Sami H&Hanna Silvana S
678 686 28 00	1.00	SFD	G	1.00	1.00	\$14.92	\$14.92	Ward James R&Yuson Chris S
678 686 29 00	1.00	SFD	G	1.00	1.00	\$14.92	\$14.92	Fan Michael M
678 686 30 00	1.00	SFD	G	1.00	1.00	\$14.92	\$14.92	Raghavan Vineet&Chandramohan Sarika
678 686 31 00	1.00	SFD	G	1.00	1.00	\$14.92	\$14.92	Caslin David M&Lemkuil Ann
678 686 32 00	1.00	SFD	G	1.00	1.00	\$14.92	\$14.92	Muzaffer Mohamed&Valimohideen Zainab
678 686 33 00	1.00	SFD	G	1.00	1.00	\$14.92	\$14.92	Tan Hiang Chuan&Lau Jui Yen
678 686 34 00	1.00	SFD	G	1.00	1.00	\$14.92	\$14.92	Raut Abhay A&Mahalle Asmita P
678 686 35 00	1.00	SFD	G	1.00	1.00	\$14.92	\$14.92	Paben Kyle Revocable Trust 06-08-15
678 686 36 00	1.00	SFD	G	1.00	1.00	\$14.92	\$14.92	Phung Anthony Van&Melody
678 686 37 00	1.00	SFD	G	1.00	1.00	\$14.92	\$14.92	Vargas Andres
678 686 38 00	1.00	SFD	G	1.00	1.00	\$14.92	\$14.92	Sadassivam Suresh K&Ramalingam Uma M
678 686 39 00	1.00	SFD	G	1.00	1.00	\$14.92	\$14.92	Zien Harvey Y&Jade Y
678 686 40 00	1.00	SFD	G	1.00	1.00	\$14.92	\$14.92	Daoud Family Trust 01-17-18
678 686 41 00	1.00	SFD	G	1.00	1.00	\$14.92	\$14.92	Bellam Sasi K
678 686 42 00	1.00	SFD	G	1.00	1.00	\$14.92	\$14.92	Dinesh Jude&Appugounder Kayalvizhi
678 686 43 00	1.00	SFD	G	1.00	1.00	\$14.92	\$14.92	Nelson Family Trust 08-20-08
678 686 44 00	1.00	SFD	G	1.00	1.00	\$14.92	\$14.92	Mao Cailian&Yang Xuemei
678 686 45 00	1.00	SFD	G	1.00	1.00	\$14.92	\$14.92	Lee Family Trust 08-06-13
678 686 46 00	1.00	SFD	G	1.00	1.00	\$14.92	\$14.92	Deng Xingyi
678 686 47 00	1.00	SFD	G	1.00	1.00	\$14.92	\$14.92	Ryu Namsik&Kim Mi Jung
678 686 48 00	1.00	SFD	G	1.00	1.00	\$14.92	\$14.92	Cui Yang&Zhang Qing
678 686 49 00	1.00	SFD	G	1.00	1.00	\$14.92	\$14.92	Hiremath Basavaraj&Toragalmath Meghana
678 686 50 00	1.25	OSP	G	0.00	0.00	\$14.92	\$0.00	Del Sur Community Association
678 686 51 00	0.22	OSP	G	0.00	0.00	\$14.92	\$0.00	Del Sur Community Assn
678 686 52 00	0.12	OSP	G	0.00	0.00	\$14.92	\$0.00	Del Sur Community Assn
678 686 53 00	0.02	OSP	G	0.00	0.00	\$14.92	\$0.00	Black Mountain Ranch L L C
678 686 54 00	1.73	OSP	G	0.00	0.00	\$14.92	\$0.00	Del Sur Community Assn
678 686 55 00	0.08	OSP	G	0.00	0.00	\$14.92	\$0.00	Del Sur Community Assn
678 686 56 00	0.04	OSP	G	0.00	0.00	\$14.92	\$0.00	Del Sur Community Association
678 686 57 00	0.07	STR	G	0.00	0.00	\$14.92	\$0.00	Del Sur Community Assn

EXHIBIT C - Assessment Roll (Fiscal Year 2024)
Black Mountain Ranch North Maintenance Assessment District

Parcel Number	Acres/ Units ⁽¹⁾	Land Use Code ⁽²⁾	Zone	Land Use Factor ⁽²⁾	Total EBUs	Unit Cost (\$/EBU)	FY 2024 ⁽³⁾ Assessment	Owner Name
678 686 58 00	0.15	STR	G	0.00	0.00	\$14.92	\$0.00	Del Sur Community Assn
678 686 59 00	0.16	STR	G	0.00	0.00	\$14.92	\$0.00	Del Sur Community Assn
678 686 60 00	1.43	STR	G	0.00	0.00	\$14.92	\$0.00	Black Mountain Ranch L L C
678 686 61 00	1.80	OSP	G	0.00	0.00	\$14.92	\$0.00	Del Sur Community Association
678 687 01 00	1.00	SFD	G	1.00	1.00	\$14.92	\$14.92	Dietrich George R&Nancy A Family Living Trust 06-2
678 687 02 00	1.00	SFD	G	1.00	1.00	\$14.92	\$14.92	Mahmoudi Mojtaba&Zahra
678 687 03 00	1.00	SFD	G	1.00	1.00	\$14.92	\$14.92	Jin Liang&Cai Jing
678 687 04 00	1.00	SFD	G	1.00	1.00	\$14.92	\$14.92	Lyu Ki Hyun&Choi Jongjin
678 687 05 00	1.00	SFD	G	1.00	1.00	\$14.92	\$14.92	Shah Family Trust 08-08-22
678 687 06 00	1.00	SFD	G	1.00	1.00	\$14.92	\$14.92	Jain Himanshu&Sharma Sakshi
678 687 07 00	1.00	SFD	G	1.00	1.00	\$14.92	\$14.92	Jelensky Kevin J&Angelina M
678 687 08 00	1.00	SFD	G	1.00	1.00	\$14.92	\$14.92	Rubenstein Family Trust 08-13-20
678 687 09 00	1.00	SFD	G	1.00	1.00	\$14.92	\$14.92	Brenner Jake&Brittany
678 687 10 00	1.00	SFD	G	1.00	1.00	\$14.92	\$14.92	Huckabay Evan Living Trust 01-11-22
678 687 11 00	1.00	SFD	G	1.00	1.00	\$14.92	\$14.92	Lim Junior&Hong Annie
678 687 12 00	1.00	SFD	G	1.00	1.00	\$14.92	\$14.92	Pierce Kristen Trust 01-31-17
678 687 13 00	1.00	SFD	G	1.00	1.00	\$14.92	\$14.92	Kennedy Ryan W&Jennifer
678 687 14 00	1.00	SFD	G	1.00	1.00	\$14.92	\$14.92	Mishra Family Revocable Trust 05-27-21
678 687 15 00	1.00	SFD	G	1.00	1.00	\$14.92	\$14.92	Adolpho Rachele&Isaac Living 2020 Trust 11-09-20
678 687 16 00	1.00	SFD	G	1.00	1.00	\$14.92	\$14.92	Sandre Roberto&Zanese Susy
678 687 17 00	1.00	SFD	G	1.00	1.00	\$14.92	\$14.92	Cruz Evan M E&Catherine T
678 687 18 00	1.00	SFD	G	1.00	1.00	\$14.92	\$14.92	Levy Andrew&Mollie H
678 687 19 00	1.00	SFD	G	1.00	1.00	\$14.92	\$14.92	Patrawala Neville&Urvisha Trust 05-16-18
678 687 20 00	1.00	SFD	G	1.00	1.00	\$14.92	\$14.92	Pasupala Dheeraj K&Swathi
678 687 21 00	1.00	SFD	G	1.00	1.00	\$14.92	\$14.92	Presnell James Family Trust 10-21-16
678 687 22 00	0.04	OSP	G	0.00	0.00	\$14.92	\$0.00	Black Mountain Ranch L L C
678 690 06 00	2.29	COM	F	45.00	103.05	\$12.48	\$1,286.06	Del Sur Tc Llc
678 690 07 00	1.76	COM	F	45.00	79.20	\$12.48	\$988.42	Del Sur Tc Llc
678 690 26 01	1.00	CND	G	0.70	0.70	\$14.92	\$10.44	Zhang Yi
678 690 26 02	1.00	CND	G	0.70	0.70	\$14.92	\$10.44	Maciejewski Bradley&Winn Elizabeth
678 690 26 03	1.00	CND	G	0.70	0.70	\$14.92	\$10.44	Behar David
678 690 26 04	1.00	CND	G	0.70	0.70	\$14.92	\$10.44	Latimer Byron C
678 690 26 05	1.00	CND	G	0.70	0.70	\$14.92	\$10.44	Liu Rong&Yue
678 690 26 06	1.00	CND	G	0.70	0.70	\$14.92	\$10.44	Li Haochen&Ting Alice
678 690 26 07	1.00	CND	G	0.70	0.70	\$14.92	\$10.44	Lambodhar Bhupal T
678 690 26 08	1.00	CND	G	0.70	0.70	\$14.92	\$10.44	Nguyen Anthony H&Lee Mee Kyung
678 690 26 09	1.00	CND	G	0.70	0.70	\$14.92	\$10.44	Caraveo Omar M&Zhang Jiaxin
678 690 26 10	1.00	CND	G	0.70	0.70	\$14.92	\$10.44	Brewer Robert B Family Trust li 11-01-20
678 690 26 11	1.00	CND	G	0.70	0.70	\$14.92	\$10.44	Lam Jonathan
678 690 26 12	1.00	CND	G	0.70	0.70	\$14.92	\$10.44	Mukherjee Samir T&Kamat Rujvi
678 690 26 13	1.00	CND	G	0.70	0.70	\$14.92	\$10.44	Kim Yunjung
678 690 26 14	1.00	CND	G	0.70	0.70	\$14.92	\$10.44	Martin-Kuo May-Chen&Stacey
678 690 26 15	1.00	CND	G	0.70	0.70	\$14.92	\$10.44	Ji Cheng&Li Rui
678 690 26 16	1.00	CND	G	0.70	0.70	\$14.92	\$10.44	Chang Albert&Wendy
678 690 26 17	1.00	CND	G	0.70	0.70	\$14.92	\$10.44	Collure Yohan&Linda
678 690 26 18	1.00	CND	G	0.70	0.70	\$14.92	\$10.44	Bassi Harjot K
678 690 26 19	1.00	CND	G	0.70	0.70	\$14.92	\$10.44	Rubio Jose&Patricia
678 690 26 20	1.00	CND	G	0.70	0.70	\$14.92	\$10.44	Li Wenhui&Xin Shilin
678 690 26 21	1.00	CND	G	0.70	0.70	\$14.92	\$10.44	Hodge Aaron F Living Trust 05-03-22
678 690 26 22	1.00	CND	G	0.70	0.70	\$14.92	\$10.44	Shay Raymond A Trust 02-25-19
678 690 26 23	1.00	CND	G	0.70	0.70	\$14.92	\$10.44	Li Evgeny&Kristina V
678 690 26 24	1.00	CND	G	0.70	0.70	\$14.92	\$10.44	Johnson Joshua&Kumaraswamy Monika
678 690 26 25	1.00	CND	G	0.70	0.70	\$14.92	\$10.44	Holdaway Aaron M&Kyoko Y
678 690 26 26	1.00	CND	G	0.70	0.70	\$14.92	\$10.44	Rose Brian S&Lisa A
678 690 26 27	1.00	CND	G	0.70	0.70	\$14.92	\$10.44	Cheng&Mai Family Trust
678 690 26 28	1.00	CND	G	0.70	0.70	\$14.92	\$10.44	Saini Living Trust 11-20-13
678 690 26 29	1.00	CND	G	0.70	0.70	\$14.92	\$10.44	Picinich James T&Patricia A
678 690 26 30	1.00	CND	G	0.70	0.70	\$14.92	\$10.44	Randolph William D&Stephanie E
678 690 26 31	1.00	CND	G	0.70	0.70	\$14.92	\$10.44	Chaudhuri Siladitya R&Chowdhury Supurna

EXHIBIT C - Assessment Roll (Fiscal Year 2024)

Black Mountain Ranch North Maintenance Assessment District

Parcel Number	Acres/ Units ⁽¹⁾	Land Use Code ⁽²⁾	Zone	Land Use Factor ⁽²⁾	Total EBU's	Unit Cost (\$/EBU)	FY 2024 ⁽³⁾ Assessment	Owner Name
678 690 26 32	1.00	CND	G	0.70	0.70	\$14.92	\$10.44	Hou Wei
678 690 26 33	1.00	CND	G	0.70	0.70	\$14.92	\$10.44	Schell Family Trust 12-02-14
678 690 26 34	1.00	CND	G	0.70	0.70	\$14.92	\$10.44	Vallejo Victor E&Escobar Gloria S
678 690 26 35	1.00	CND	G	0.70	0.70	\$14.92	\$10.44	Lu Zheng
678 690 26 36	1.00	CND	G	0.70	0.70	\$14.92	\$10.44	Yuan Lynn Trust 10-29-21
678 690 26 37	1.00	CND	G	0.70	0.70	\$14.92	\$10.44	Park Family Trust 12-22-20
678 690 26 38	1.00	CND	G	0.70	0.70	\$14.92	\$10.44	Xu Liqin&Jiang Shunji
678 690 26 39	1.00	CND	G	0.70	0.70	\$14.92	\$10.44	Yao Bin&Liu Mengying
678 690 26 40	1.00	CND	G	0.70	0.70	\$14.92	\$10.44	Ho Viet Thanh
678 690 26 41	1.00	CND	G	0.70	0.70	\$14.92	\$10.44	Matanza Marc
678 690 26 42	1.00	CND	G	0.70	0.70	\$14.92	\$10.44	Safi Zergona
678 690 26 43	1.00	CND	G	0.70	0.70	\$14.92	\$10.44	Anderson Neil G Trust 10-04-22
678 690 26 44	1.00	CND	G	0.70	0.70	\$14.92	\$10.44	Hartman Kurt&Kariee
678 690 26 45	1.00	CND	G	0.70	0.70	\$14.92	\$10.44	Nguyen Alexander T&Santos Megan T
678 690 26 46	1.00	CND	G	0.70	0.70	\$14.92	\$10.44	Eftekhari Hessam
678 690 29 00	10.42	COM	F	45.00	468.90	\$12.48	\$5,851.86	Target Corporation
678 690 30 00	1.26	COM	F	45.00	56.70	\$12.48	\$707.62	Del Sur Tc Llc
678 690 31 00	0.98	COM	F	45.00	44.10	\$12.48	\$550.36	Del Sur Tc Llc
678 690 32 00	2.38	COM	F	45.00	107.10	\$12.48	\$1,336.60	Del Sur Tc Llc
678 690 34 01	1.00	CND	G	0.70	0.70	\$14.92	\$10.44	Tanaki Prasad&Kalagara Sowmya
678 690 34 02	1.00	CND	G	0.70	0.70	\$14.92	\$10.44	Gutierrez Rogelio Jr&Jeanette P
678 690 34 03	1.00	CND	G	0.70	0.70	\$14.92	\$10.44	Patterson James T
678 690 34 04	1.00	CND	G	0.70	0.70	\$14.92	\$10.44	Yutangco Family Trust
678 690 34 05	1.00	CND	G	0.70	0.70	\$14.92	\$10.44	Mundlapudi Sampreethi
678 690 35 01	1.00	CND	G	0.70	0.70	\$14.92	\$10.44	Alegre Jessica Trust 09-22-15
678 690 35 02	1.00	CND	G	0.70	0.70	\$14.92	\$10.44	Cressman William S&Juliana A
678 690 35 03	1.00	CND	G	0.70	0.70	\$14.92	\$10.44	Sun Yuting&Hua Xingyi
678 690 35 04	1.00	CND	G	0.70	0.70	\$14.92	\$10.44	Presnell James Family Trust 10-21-16
678 690 35 05	1.00	CND	G	0.70	0.70	\$14.92	\$10.44	Tran Rick T&Karen Y
678 690 36 01	1.00	CND	G	0.70	0.70	\$14.92	\$10.44	Stringer Jesse D&Lisa M
678 690 36 02	1.00	CND	G	0.70	0.70	\$14.92	\$10.44	Jolians Farms Lc
678 690 36 03	1.00	CND	G	0.70	0.70	\$14.92	\$10.44	Parameswaran Viswesh&Suresh Ramya
678 690 36 04	1.00	CND	G	0.70	0.70	\$14.92	\$10.44	Yang Shu Ji&Mai Guo Qun
678 690 38 01	1.00	CND	G	0.70	0.70	\$14.92	\$10.44	Cantu-Gonzalez Gloria D
678 690 38 02	1.00	CND	G	0.70	0.70	\$14.92	\$10.44	Atti Colleen
678 690 38 03	1.00	CND	G	0.70	0.70	\$14.92	\$10.44	Patti Christopher J&Liu Xinmei
678 690 38 04	1.00	CND	G	0.70	0.70	\$14.92	\$10.44	Chaudhary Rohit&Sonam
678 690 38 05	1.00	CND	G	0.70	0.70	\$14.92	\$10.44	Lazy Diamond W Trust 07-27-06
678 690 39 01	1.00	CND	G	0.70	0.70	\$14.92	\$10.44	Mitragos Steven G
678 690 39 02	1.00	CND	G	0.70	0.70	\$14.92	\$10.44	Bae Jae Hyun&Song Min Jung
678 690 39 03	1.00	CND	G	0.70	0.70	\$14.92	\$10.44	Wu Shun-Der&Hsu Hui-Chun
678 690 39 04	1.00	CND	G	0.70	0.70	\$14.92	\$10.44	Israni Sushil M&Reena S Revocable Trust 01-15-09
678 690 39 05	1.00	CND	G	0.70	0.70	\$14.92	\$10.44	Vanbuskirk Marc A Iii&Jessica H
678 690 39 06	1.00	CND	G	0.70	0.70	\$14.92	\$10.44	Torbert Jason&Alexis
678 690 40 01	1.00	CND	G	0.70	0.70	\$14.92	\$10.44	Malipedi Kiran K&Banavathula Padmini
678 690 40 02	1.00	CND	G	0.70	0.70	\$14.92	\$10.44	Lu De
678 690 40 03	1.00	CND	G	0.70	0.70	\$14.92	\$10.44	Duong Harrison&Hsieh Jane
678 690 40 04	1.00	CND	G	0.70	0.70	\$14.92	\$10.44	Kim John&Mimi Family Trust 04-21-15
678 690 42 01	1.00	CND	G	0.70	0.70	\$14.92	\$10.44	Meisel Revocable Living Trust 06-28-19
678 690 42 02	1.00	CND	G	0.70	0.70	\$14.92	\$10.44	Wong Garret&Joanne
678 690 42 03	1.00	CND	G	0.70	0.70	\$14.92	\$10.44	Shah Prasanna S&Suchi P
678 690 42 04	1.00	CND	G	0.70	0.70	\$14.92	\$10.44	Felder Robert R Family Trust 01-18-22
678 690 42 05	1.00	CND	G	0.70	0.70	\$14.92	\$10.44	Tran Tahny P
678 690 43 01	1.00	CND	G	0.70	0.70	\$14.92	\$10.44	Duong-Dinh Family Trust 06-11-22
678 690 43 02	1.00	CND	G	0.70	0.70	\$14.92	\$10.44	Stanowski Daniel R&Elizabeth A
678 690 43 03	1.00	CND	G	0.70	0.70	\$14.92	\$10.44	Lige Julius M&Jaronda T
678 690 43 04	1.00	CND	G	0.70	0.70	\$14.92	\$10.44	Jiao Shudong&Zhao Mei
678 690 43 05	1.00	CND	G	0.70	0.70	\$14.92	\$10.44	Subramani Venkat&Srinivasan Vidya
678 690 44 01	1.00	CND	G	0.70	0.70	\$14.92	\$10.44	Tong Gregory&Cuiling

EXHIBIT C - Assessment Roll (Fiscal Year 2024)
Black Mountain Ranch North Maintenance Assessment District

Parcel Number	Acres/ Units ⁽¹⁾	Land Use Code ⁽²⁾	Zone	Land Use Factor ⁽²⁾	Total EBU	Unit Cost (\$/EBU)	FY 2024 ⁽³⁾ Assessment	Owner Name
678 690 44 02	1.00	CND	G	0.70	0.70	\$14.92	\$10.44	Guha Subhadeep&Priyanka
678 690 44 03	1.00	CND	G	0.70	0.70	\$14.92	\$10.44	Parmar Nainesh
678 690 44 04	1.00	CND	G	0.70	0.70	\$14.92	\$10.44	Sadeghi Reza S
678 690 45 00	1.50	STR	G	0.00	0.00	\$14.92	\$0.00	Calatlantic Group Inc
678 690 47 00	83.00	MFR	F	0.70	58.10	\$12.48	\$725.08	Fairbanks Terrace C I C Lp
678 690 48 00	1.09	OSP	F	0.00	0.00	\$12.48	\$0.00	Black Mountain Ranch L L C
678 690 48 00	0.23	UTL	F	3.00	0.69	\$12.48	\$8.60	Black Mountain Ranch L L C
678 690 49 00	3.24	IND	F	15.00	48.60	\$12.48	\$606.52	Sharp Healthcare
678 690 51 01	1.00	CND	G	0.70	0.70	\$14.92	\$10.44	Ocd li Llc
678 690 51 02	1.00	CND	G	0.70	0.70	\$14.92	\$10.44	Hu Philip B
678 690 51 03	1.00	CND	G	0.70	0.70	\$14.92	\$10.44	Hobbs Michael T&Sara W
678 690 51 04	1.00	CND	G	0.70	0.70	\$14.92	\$10.44	Hames Rinko
678 690 51 05	1.00	CND	G	0.70	0.70	\$14.92	\$10.44	Chu Nicholas
678 690 51 06	1.00	CND	G	0.70	0.70	\$14.92	\$10.44	Aufmann Kevin&Michelle Family Trust 06-11-20
678 690 51 07	1.00	CND	G	0.70	0.70	\$14.92	\$10.44	Choi Sung Jae&Cho Youn Ju
678 690 52 01	1.00	CND	G	0.70	0.70	\$14.92	\$10.44	Delapa James Iii
678 690 52 02	1.00	CND	G	0.70	0.70	\$14.92	\$10.44	Hewett David K
678 690 52 03	1.00	CND	G	0.70	0.70	\$14.92	\$10.44	Medina Trust 02-14-22
678 690 52 04	1.00	CND	G	0.70	0.70	\$14.92	\$10.44	Lay Edmond J&Lau Jackie Wai-Chi
678 690 52 05	1.00	CND	G	0.70	0.70	\$14.92	\$10.44	Liu Kun-Wei&Chen Zhihui
678 690 53 01	1.00	CND	G	0.70	0.70	\$14.92	\$10.44	Mallari Efen A Jr&Melissa D
678 690 53 02	1.00	CND	G	0.70	0.70	\$14.92	\$10.44	Anaya Rashida Trust 09-01-09
678 690 53 03	1.00	CND	G	0.70	0.70	\$14.92	\$10.44	Lu Xiao&Liu Xinwen
678 690 53 04	1.00	CND	G	0.70	0.70	\$14.92	\$10.44	Zheng Ran&Zhou Jing
678 690 53 05	1.00	CND	G	0.70	0.70	\$14.92	\$10.44	Bikkumala Manohar&Adimulam Santoshini
678 690 54 01	1.00	CND	G	0.70	0.70	\$14.92	\$10.44	Sarno Family Trust
678 690 54 02	1.00	CND	G	0.70	0.70	\$14.92	\$10.44	Vakkala Sai Krishna&Pullepu Vijaya Lakshmi
678 690 54 03	1.00	CND	G	0.70	0.70	\$14.92	\$10.44	Campbell Toby M&Jessica B
678 690 54 04	1.00	CND	G	0.70	0.70	\$14.92	\$10.44	Forsythe Adam J&Ong Christine M
678 690 54 05	1.00	CND	G	0.70	0.70	\$14.92	\$10.44	Robinson Family Trust 08-13-15
678 690 54 06	1.00	CND	G	0.70	0.70	\$14.92	\$10.44	Burnett Christopher A&Scott Alicia M
678 690 55 01	1.00	CND	G	0.70	0.70	\$14.92	\$10.44	Kim Jooyeon K
678 690 55 02	1.00	CND	G	0.70	0.70	\$14.92	\$10.44	Rane Ankur C&Seshadri Swathi
678 690 55 03	1.00	CND	G	0.70	0.70	\$14.92	\$10.44	Anchlia Mohit
678 690 55 04	1.00	CND	G	0.70	0.70	\$14.92	\$10.44	Roberts Joe&Jamie
678 690 55 05	1.00	CND	G	0.70	0.70	\$14.92	\$10.44	Thomas Christopher&Gillespie-Thomas Dewonia
678 690 55 06	1.00	CND	G	0.70	0.70	\$14.92	\$10.44	Hari Krishnan&Vidhu Living Trust 07-09-20
678 690 55 07	1.00	CND	G	0.70	0.70	\$14.92	\$10.44	Patel Devesh K
678 690 56 01	1.00	CND	G	0.70	0.70	\$14.92	\$10.44	Kung Henry&Malig April L
678 690 56 02	1.00	CND	G	0.70	0.70	\$14.92	\$10.44	Sondak Trust 05-11-12
678 690 56 03	1.00	CND	G	0.70	0.70	\$14.92	\$10.44	Louie Louis&Xu Wang
678 690 56 04	1.00	CND	G	0.70	0.70	\$14.92	\$10.44	Choi Seungjib&Lee Jun Hee
678 690 56 05	1.00	CND	G	0.70	0.70	\$14.92	\$10.44	Porter Danny L Living Trust 09-30-17
678 690 56 06	1.00	CND	G	0.70	0.70	\$14.92	\$10.44	Oh Eunice E
678 690 56 07	1.00	CND	G	0.70	0.70	\$14.92	\$10.44	Dyess August D&Camie Lau
678 690 57 01	1.00	CND	G	0.70	0.70	\$14.92	\$10.44	Younger James&Monica
678 690 57 02	1.00	CND	G	0.70	0.70	\$14.92	\$10.44	Lopes Cleverson P&Barbara S M
678 690 57 03	1.00	CND	G	0.70	0.70	\$14.92	\$10.44	Castillo Family Trust 11-06-20
678 690 57 04	1.00	CND	G	0.70	0.70	\$14.92	\$10.44	Ward Family Trust 09-18-13
678 690 57 05	1.00	CND	G	0.70	0.70	\$14.92	\$10.44	Park Jungchul&Kim Hana
678 690 57 06	1.00	CND	G	0.70	0.70	\$14.92	\$10.44	Patel A&S Family Trust 10-06-22
678 690 58 01	1.00	CND	G	0.70	0.70	\$14.92	\$10.44	Deshpande Chetan A
678 690 58 02	1.00	CND	G	0.70	0.70	\$14.92	\$10.44	Badillo Brian I&Jocelyn D
678 690 58 03	1.00	CND	G	0.70	0.70	\$14.92	\$10.44	Barzanjy Shaban A
678 690 58 04	1.00	CND	G	0.70	0.70	\$14.92	\$10.44	Bijapur Noor M S&Samiya N S
678 690 58 05	1.00	CND	G	0.70	0.70	\$14.92	\$10.44	Tse Alexander Brian&Lau Tsz Sui
678 690 58 06	1.00	CND	G	0.70	0.70	\$14.92	\$10.44	Takamura Michael M
678 690 58 07	1.00	CND	G	0.70	0.70	\$14.92	\$10.44	Brown Morgan&Kitaoka Traci Family Trust 05-30-19
678 690 59 00	4.07	STR	G	0.00	0.00	\$14.92	\$0.00	Spic Del Sur Llc

EXHIBIT C - Assessment Roll (Fiscal Year 2024)

Black Mountain Ranch North Maintenance Assessment District

Parcel Number	Acres/ Units ⁽¹⁾	Land Use Code ⁽²⁾	Zone	Land Use Factor ⁽²⁾	Total EBU's	Unit Cost (\$/EBU)	FY 2024 ⁽³⁾ Assessment	Owner Name
678 690 60 01	1.00	CND	F	0.70	0.70	\$12.48	\$8.74	Bortner Karin
678 690 60 02	1.00	CND	F	0.70	0.70	\$12.48	\$8.74	Tollestrup Matthew R Trust 06-01-18
678 690 60 03	1.00	CND	F	0.70	0.70	\$12.48	\$8.74	Girjashankar Shiv&Bylalah Vijaya
678 690 60 04	1.00	CND	F	0.70	0.70	\$12.48	\$8.74	Modhwadia Mamta D Revocable Trust 05-21-19
678 690 60 05	1.00	CND	F	0.70	0.70	\$12.48	\$8.74	Sturgis Nathan&Megan L
678 690 60 06	1.00	CND	F	0.70	0.70	\$12.48	\$8.74	Liu Chengyueh
678 690 60 07	1.00	CND	F	0.70	0.70	\$12.48	\$8.74	Carrillo Rebecca
678 690 60 08	1.00	CND	F	0.70	0.70	\$12.48	\$8.74	Kincal Serkan&Dilek
678 690 60 09	1.00	CND	F	0.70	0.70	\$12.48	\$8.74	Verma Family Trust 05-09-22
678 690 60 10	1.00	CND	F	0.70	0.70	\$12.48	\$8.74	Fillius James R Iii
678 690 60 11	1.00	CND	F	0.70	0.70	\$12.48	\$8.74	Orr Justin&Charlotte
678 690 60 12	1.00	CND	F	0.70	0.70	\$12.48	\$8.74	Vira Purvi
678 690 60 13	1.00	CND	F	0.70	0.70	\$12.48	\$8.74	Yang Haiqing
678 690 60 14	1.00	CND	F	0.70	0.70	\$12.48	\$8.74	Tran Vinh Hien&My Ta
678 690 60 15	1.00	CND	F	0.70	0.70	\$12.48	\$8.74	Vachhani Ami Kishor
678 690 60 16	1.00	CND	F	0.70	0.70	\$12.48	\$8.74	Wang Luke Lu&Liu Ying
678 690 60 17	1.00	CND	F	0.70	0.70	\$12.48	\$8.74	Kannan Balaji&Shankaran Jayalakhmi
678 690 60 18	1.00	CND	F	0.70	0.70	\$12.48	\$8.74	Wang Hsu Kun&Kho Eun-Young
678 690 60 19	1.00	CND	F	0.70	0.70	\$12.48	\$8.74	Chen Yu Chen&Yang Yi Ting
678 690 60 20	1.00	CND	F	0.70	0.70	\$12.48	\$8.74	Lowrey Matthew&Kacey 2020 Family Trust 12-21-20
678 690 60 21	1.00	CND	F	0.70	0.70	\$12.48	\$8.74	Lamkin Robert J Living Trust 02-06-20
678 690 60 22	1.00	CND	F	0.70	0.70	\$12.48	\$8.74	Jullien Bruno B&Kabkeo
678 690 60 23	1.00	CND	F	0.70	0.70	\$12.48	\$8.74	Damani Manthan J&Shah Ami M
678 690 60 24	1.00	CND	F	0.70	0.70	\$12.48	\$8.74	Dinakar Chandra Srinivas&Manchiraju Smitha Ramani
678 690 60 25	1.00	CND	F	0.70	0.70	\$12.48	\$8.74	Putnam Sean E&Molly E
678 690 60 26	1.00	CND	F	0.70	0.70	\$12.48	\$8.74	Cai Jiahao&Huang Zong Jian
678 690 60 27	1.00	CND	F	0.70	0.70	\$12.48	\$8.74	Liu Shilong
678 690 60 28	1.00	CND	F	0.70	0.70	\$12.48	\$8.74	Pochimireddy Raghunatha Reddy&Kakarla Bharathi
678 690 60 29	1.00	CND	F	0.70	0.70	\$12.48	\$8.74	Sayilir Taskin
678 690 60 30	1.00	CND	F	0.70	0.70	\$12.48	\$8.74	Shirizli Zahi I&Inbar S
678 690 60 31	1.00	CND	F	0.70	0.70	\$12.48	\$8.74	Xiong Wei&Wu Hong
678 690 60 32	1.00	CND	F	0.70	0.70	\$12.48	\$8.74	Su Yu Hsiang&Hung Yin Jou
678 690 60 33	1.00	CND	F	0.70	0.70	\$12.48	\$8.74	Flowers Margaret
678 690 60 34	1.00	CND	F	0.70	0.70	\$12.48	\$8.74	Chae Hyukjin&Moon Ye Bin
678 690 60 35	1.00	CND	F	0.70	0.70	\$12.48	\$8.74	Orlando Jacob&Heather
678 690 60 36	1.00	CND	F	0.70	0.70	\$12.48	\$8.74	Araujo Martin&Diane L
678 690 60 37	1.00	CND	F	0.70	0.70	\$12.48	\$8.74	Seo Thomas C&Agnes J
678 690 60 38	1.00	CND	F	0.70	0.70	\$12.48	\$8.74	Waynick Family Trust 06-12-17
678 690 60 39	1.00	CND	F	0.70	0.70	\$12.48	\$8.74	Utt Timothy&Haie
678 690 60 40	1.00	CND	F	0.70	0.70	\$12.48	\$8.74	Xiang Bin
678 690 60 41	1.00	CND	F	0.70	0.70	\$12.48	\$8.74	Concepcion Robert B&Luana C
678 690 60 42	1.00	CND	F	0.70	0.70	\$12.48	\$8.74	Hoffmann James&Catherine
678 690 60 43	1.00	CND	F	0.70	0.70	\$12.48	\$8.74	Kannayiram Jaisankar&Chantiraesegaren Gnanam R
678 690 60 44	1.00	CND	F	0.70	0.70	\$12.48	\$8.74	Lee Family Living Trust 06-03-95
678 690 60 45	1.00	CND	F	0.70	0.70	\$12.48	\$8.74	Salomon Joseph&Stephanie V
678 690 60 46	1.00	CND	F	0.70	0.70	\$12.48	\$8.74	Parida Manoj K&Gupta Manika
678 690 60 47	1.00	CND	F	0.70	0.70	\$12.48	\$8.74	Marx Gregory
678 690 60 48	1.00	CND	F	0.70	0.70	\$12.48	\$8.74	Pawaskar Umesh G&Kshama U
678 690 60 49	1.00	CND	F	0.70	0.70	\$12.48	\$8.74	An Chunyan
678 690 60 50	1.00	CND	F	0.70	0.70	\$12.48	\$8.74	Smith Jason&Bridget
678 690 60 51	1.00	CND	F	0.70	0.70	\$12.48	\$8.74	Kim Hyung Joon&Sook Young
678 690 60 52	1.00	CND	F	0.70	0.70	\$12.48	\$8.74	Konduri Ranganayakulu&Pedamallu Sowseelya
678 690 60 53	1.00	CND	F	0.70	0.70	\$12.48	\$8.74	Thomrongstith Lisa Revocable Trust 10-03-06 Et Al
678 690 60 54	1.00	CND	F	0.70	0.70	\$12.48	\$8.74	Smirnov Living Trust 07-17-18
678 690 60 55	1.00	CND	F	0.70	0.70	\$12.48	\$8.74	Malcom Jaclyn M
678 690 60 56	1.00	CND	F	0.70	0.70	\$12.48	\$8.74	Saini Sukhwinder S&Rajwinder K
678 690 60 57	1.00	CND	F	0.70	0.70	\$12.48	\$8.74	Dideriksen Hailey A
678 690 60 58	1.00	CND	F	0.70	0.70	\$12.48	\$8.74	Colmenar Al J&Kari L N
678 690 60 59	1.00	CND	F	0.70	0.70	\$12.48	\$8.74	Goldfarb Family Trust 10-28-22

EXHIBIT C - Assessment Roll (Fiscal Year 2024)

Black Mountain Ranch North Maintenance Assessment District

Parcel Number	Acres/Units ⁽¹⁾	Land Use Code ⁽²⁾	Zone	Land Use Factor ⁽²⁾	Total EBU's	Unit Cost (\$/EBU)	FY 2024 ⁽³⁾ Assessment	Owner Name
678 690 60 60	1.00	CND	F	0.70	0.70	\$12.48	\$8.74	Mulready Joint Revocable Trust 07-23-20
678 690 60 61	1.00	CND	F	0.70	0.70	\$12.48	\$8.74	Aziz Farhan M&Qureshi-Aziz Fauzia
678 690 60 62	1.00	CND	F	0.70	0.70	\$12.48	\$8.74	Gupta Shikhar&Sirosh Selina
678 690 60 63	1.00	CND	F	0.70	0.70	\$12.48	\$8.74	Gu Yunfeng
678 690 60 64	1.00	CND	F	0.70	0.70	\$12.48	\$8.74	Carreira Marc-Alexandre
678 690 60 65	1.00	CND	F	0.70	0.70	\$12.48	\$8.74	Karimi Shahab&Golmakani Marzieh K
678 690 60 66	1.00	CND	F	0.70	0.70	\$12.48	\$8.74	Grn Family Trust 10-17-22
678 690 60 67	1.00	CND	F	0.70	0.70	\$12.48	\$8.74	Ferland Dominic&Gaudreault Claudia
678 690 60 68	1.00	CND	F	0.70	0.70	\$12.48	\$8.74	Lock Jonathon M&Leslie A
678 690 60 69	1.00	CND	F	0.70	0.70	\$12.48	\$8.74	Rakkipan Sivashankar&Nithiyantham Sagngaeetha
678 690 60 70	1.00	CND	F	0.70	0.70	\$12.48	\$8.74	Amparo Richard&Portay Fanny
678 690 60 71	1.00	CND	F	0.70	0.70	\$12.48	\$8.74	Cambridge School
678 690 60 72	1.00	CND	F	0.70	0.70	\$12.48	\$8.74	Souza Justin T&Sonia K
678 690 60 73	1.00	CND	F	0.70	0.70	\$12.48	\$8.74	Latonio Jason&Gonzales-Latonio Joan R
678 690 60 74	1.00	CND	F	0.70	0.70	\$12.48	\$8.74	Yu Lei&Yang Rui Living Trust 12-21-09
678 690 60 75	1.00	CND	F	0.70	0.70	\$12.48	\$8.74	Bai Zhidong&Wang Jiawei
678 690 60 76	1.00	CND	F	0.70	0.70	\$12.48	\$8.74	Joshi Tilak&Mega D
678 690 60 77	1.00	CND	F	0.70	0.70	\$12.48	\$8.74	Patel Amit B&Seema M
678 690 60 78	1.00	CND	F	0.70	0.70	\$12.48	\$8.74	Russo Francesco&Gaye
678 690 60 79	1.00	CND	F	0.70	0.70	\$12.48	\$8.74	Li Ke
678 690 60 80	1.00	CND	F	0.70	0.70	\$12.48	\$8.74	Bae Hyuk&Woo Yeon Hee
678 690 60 81	1.00	CND	F	0.70	0.70	\$12.48	\$8.74	Wallace Nicola L
678 690 60 82	1.00	CND	F	0.70	0.70	\$12.48	\$8.74	Himelstein Family Trust 08-15-05
678 690 60 83	1.00	CND	F	0.70	0.70	\$12.48	\$8.74	Chen Wanhua
678 690 60 84	1.00	CND	F	0.70	0.70	\$12.48	\$8.74	Ma Xinnan
678 690 60 85	1.00	CND	F	0.70	0.70	\$12.48	\$8.74	Wang Bofei&Xie Yi
678 690 60 86	1.00	CND	F	0.70	0.70	\$12.48	\$8.74	Sorensen Neil J
678 690 60 87	1.00	CND	F	0.70	0.70	\$12.48	\$8.74	Delima Family Trust 10-16-20
678 690 60 88	1.00	CND	F	0.70	0.70	\$12.48	\$8.74	Xu Shu
678 690 60 89	1.00	CND	F	0.70	0.70	\$12.48	\$8.74	Aujero Trust 09-09-22
678 690 60 90	1.00	CND	F	0.70	0.70	\$12.48	\$8.74	Park Hyosang
678 690 60 91	1.00	CND	F	0.70	0.70	\$12.48	\$8.74	Li Bo&Wen Rui
678 690 60 92	1.00	CND	F	0.70	0.70	\$12.48	\$8.74	Kim Paul Sunhong&Hyun Ji Hae
678 690 60 93	1.00	CND	F	0.70	0.70	\$12.48	\$8.74	Kim Sunghoon&Hwang Ji Min
678 690 60 94	1.00	CND	F	0.70	0.70	\$12.48	\$8.74	Barag Jessica B
678 690 61 01	1.00	CND	F	0.70	0.70	\$12.48	\$8.74	Schwartz Brian E Trust 10-03-06
678 690 61 02	1.00	CND	F	0.70	0.70	\$12.48	\$8.74	Haddadian Babak&Hadipour Yasaman
678 690 61 03	1.00	CND	F	0.70	0.70	\$12.48	\$8.74	Tatariewicz Family Trust 08-26-08
678 690 61 04	1.00	CND	F	0.70	0.70	\$12.48	\$8.74	Weisman Robert L&Marilyn J
678 690 61 05	1.00	CND	F	0.70	0.70	\$12.48	\$8.74	Gold Family Trust 03-16-16
678 690 61 06	1.00	CND	F	0.70	0.70	\$12.48	\$8.74	Huang Xiao Jian&Li Liwei
678 690 61 07	1.00	CND	F	0.70	0.70	\$12.48	\$8.74	Plese Family Trust 06-21-22
678 690 61 08	1.00	CND	F	0.70	0.70	\$12.48	\$8.74	Pinderski John P Tr&Pinderski Joyce I Tr
678 690 61 09	1.00	CND	F	0.70	0.70	\$12.48	\$8.74	Wiley Terry L&Barbara R Revocable Living Trust 09-
678 690 61 10	1.00	CND	F	0.70	0.70	\$12.48	\$8.74	Zhou Yu
678 690 61 11	1.00	CND	F	0.70	0.70	\$12.48	\$8.74	Mannino Family Trust 03-14-18
678 690 61 12	1.00	CND	F	0.70	0.70	\$12.48	\$8.74	Lomas Tonya C
678 690 61 13	1.00	CND	F	0.70	0.70	\$12.48	\$8.74	Potenziani Cheryl L Living Trust 08-31-21
678 690 61 14	1.00	CND	F	0.70	0.70	\$12.48	\$8.74	Dean Living Trust 11-01-19
678 690 61 15	1.00	CND	F	0.70	0.70	\$12.48	\$8.74	Manoocheri Family Trust 07-06-18
678 690 61 16	1.00	CND	F	0.70	0.70	\$12.48	\$8.74	Moncharch Ferrari Trust 09-25-13
678 690 61 17	1.00	CND	F	0.70	0.70	\$12.48	\$8.74	Zee Trust 08-04-17
678 690 61 18	1.00	CND	F	0.70	0.70	\$12.48	\$8.74	Schick William F Trust 06-20-00
678 690 61 19	1.00	CND	F	0.70	0.70	\$12.48	\$8.74	Edquilang Family Trust 09-21-96
678 690 61 20	1.00	CND	F	0.70	0.70	\$12.48	\$8.74	Mallett Family Survivors Trust 07-23-13
678 690 61 21	1.00	CND	F	0.70	0.70	\$12.48	\$8.74	Tham Kim Hock&Tan Piak Yok
678 690 61 22	1.00	CND	F	0.70	0.70	\$12.48	\$8.74	Wang Xiaobo&Nie Ying
678 690 61 23	1.00	CND	F	0.70	0.70	\$12.48	\$8.74	He Xiaohua&Lin Yun Xian
678 690 61 24	1.00	CND	F	0.70	0.70	\$12.48	\$8.74	Johnson Thomas

EXHIBIT C - Assessment Roll (Fiscal Year 2024)

Black Mountain Ranch North Maintenance Assessment District

Parcel Number	Acres/ Units ⁽¹⁾	Land Use Code ⁽²⁾	Zone	Land Use Factor ⁽²⁾	Total EBU's	Unit Cost (\$/EBU)	FY 2024 ⁽³⁾ Assessment	Owner Name
678 690 61 25	1.00	CND	F	0.70	0.70	\$12.48	\$8.74	Helstrom Robert&Roxane Family Trust 11-09-04
678 690 61 26	1.00	CND	F	0.70	0.70	\$12.48	\$8.74	Land Ming Huey&&Whei-Ing Living Trust 08-18-22
678 690 61 27	1.00	CND	F	0.70	0.70	\$12.48	\$8.74	Wang Family Trust 07-27-05
678 690 61 28	1.00	CND	F	0.70	0.70	\$12.48	\$8.74	Weaver Valorie G Trust 07-18-13
678 690 61 29	1.00	CND	F	0.70	0.70	\$12.48	\$8.74	Tieger Jeffrey&Judith Family Trust 02-12-07
678 690 61 30	1.00	CND	F	0.70	0.70	\$12.48	\$8.74	Huang Yun
678 690 61 31	1.00	CND	F	0.70	0.70	\$12.48	\$8.74	Cho Min Ja
678 690 61 32	1.00	CND	F	0.70	0.70	\$12.48	\$8.74	Bhakta Chandravadan&Ranjana C
678 690 61 33	1.00	CND	F	0.70	0.70	\$12.48	\$8.74	Stames Trust 01-05-18
678 690 61 34	1.00	CND	F	0.70	0.70	\$12.48	\$8.74	Miller-Shackelford Ilene
678 690 61 35	1.00	CND	F	0.70	0.70	\$12.48	\$8.74	Delehanty William J&Stephanie W
678 690 61 36	1.00	CND	F	0.70	0.70	\$12.48	\$8.74	Wolff Joaquin V&Kathy L
678 690 61 37	1.00	CND	F	0.70	0.70	\$12.48	\$8.74	Alcaraz Rossana
678 690 61 38	1.00	CND	F	0.70	0.70	\$12.48	\$8.74	Chung Chi-Jen Tony&Wang Aiwen
678 690 61 39	1.00	CND	F	0.70	0.70	\$12.48	\$8.74	Asefi Jamila
678 690 61 40	1.00	CND	F	0.70	0.70	\$12.48	\$8.74	Styron Milton C Jr&Elliott Denise M
678 690 61 41	1.00	CND	F	0.70	0.70	\$12.48	\$8.74	Adamczyk Joseph F&Sharon K
678 690 61 42	1.00	CND	F	0.70	0.70	\$12.48	\$8.74	Kan-Leung Living Trust 06-03-99
678 690 61 43	1.00	CND	F	0.70	0.70	\$12.48	\$8.74	Wilkinson Laura L
678 690 61 44	1.00	CND	F	0.70	0.70	\$12.48	\$8.74	Holowach G&K Family Trust 12-11-99
678 690 61 45	1.00	CND	F	0.70	0.70	\$12.48	\$8.74	Cornelius-Everett Family Trust 11-14-11
678 690 61 46	1.00	CND	F	0.70	0.70	\$12.48	\$8.74	Chan Andrew
678 690 61 47	1.00	CND	F	0.70	0.70	\$12.48	\$8.74	Karr Allen A Trust 06-09-08
678 690 61 48	1.00	CND	F	0.70	0.70	\$12.48	\$8.74	Cookie Jar Trust 07-28-99
678 690 61 49	1.00	CND	F	0.70	0.70	\$12.48	\$8.74	Russo T L Living Trust 12-05-16
678 690 61 50	1.00	CND	F	0.70	0.70	\$12.48	\$8.74	Jaurigue Divinia R 2022 Living Trust 02-16-22
678 690 61 51	1.00	CND	F	0.70	0.70	\$12.48	\$8.74	Davis Revocable Family Trust 03-31-98
678 690 61 52	1.00	CND	F	0.70	0.70	\$12.48	\$8.74	Iyer Ravindran&Ravindran Mallika
678 690 61 53	1.00	CND	F	0.70	0.70	\$12.48	\$8.74	Kraft Dennis&Ann Revocable Family Trust 02-21-05
678 690 61 54	1.00	CND	F	0.70	0.70	\$12.48	\$8.74	Robertson John S&Nancy P Family Trust 01-26-06
678 690 61 55	1.00	CND	F	0.70	0.70	\$12.48	\$8.74	Ruiz Mylene Trust 06-08-20
678 690 61 56	1.00	CND	F	0.70	0.70	\$12.48	\$8.74	Scieszinski Scott E
678 690 61 57	1.00	CND	F	0.70	0.70	\$12.48	\$8.74	Smart Family Trust 06-14-16
678 690 61 58	1.00	CND	F	0.70	0.70	\$12.48	\$8.74	Goldberg Eugene&Ida
678 690 61 59	1.00	CND	F	0.70	0.70	\$12.48	\$8.74	Santangelo Linda T&Siegel Marcie W
678 690 61 60	1.00	CND	F	0.70	0.70	\$12.48	\$8.74	Rau Barth A&Susan A
678 690 61 61	1.00	CND	F	0.70	0.70	\$12.48	\$8.74	Bronson John
678 690 61 62	1.00	CND	F	0.70	0.70	\$12.48	\$8.74	Moosmann Carole J
678 690 61 63	1.00	CND	F	0.70	0.70	\$12.48	\$8.74	Wang Peter&Shi Betty
678 690 61 64	1.00	CND	F	0.70	0.70	\$12.48	\$8.74	Myers Family Trust 02-24-11
678 690 61 65	1.00	CND	F	0.70	0.70	\$12.48	\$8.74	Gutierrez Gerardo R&Liberty C
678 690 61 66	1.00	CND	F	0.70	0.70	\$12.48	\$8.74	Hammond Mark W&Lai Margaret M
678 690 61 67	1.00	CND	F	0.70	0.70	\$12.48	\$8.74	Liu-Zhu Trust 08-20-12
678 690 61 68	1.00	CND	F	0.70	0.70	\$12.48	\$8.74	Cohn Jeremy&Tonia
678 690 61 69	1.00	CND	F	0.70	0.70	\$12.48	\$8.74	Chung Kyung H Revocable Trust 06-14-16
678 690 61 70	1.00	CND	F	0.70	0.70	\$12.48	\$8.74	Millett Susan L Trust 09-06-91
678 690 61 71	1.00	CND	F	0.70	0.70	\$12.48	\$8.74	Park Ke Young&Hay Ja
678 690 61 72	1.00	CND	F	0.70	0.70	\$12.48	\$8.74	Wenig Jr Family Trust 04-27-02
678 690 61 73	1.00	CND	F	0.70	0.70	\$12.48	\$8.74	Stahl 2003 Trust 11-17-03
678 690 61 74	1.00	CND	F	0.70	0.70	\$12.48	\$8.74	Goldman Family Trust 07-01-98
678 690 61 75	1.00	CND	F	0.70	0.70	\$12.48	\$8.74	Dukellis Mary J Family Trust 12-15-00
678 690 61 76	1.00	CND	F	0.70	0.70	\$12.48	\$8.74	Olaes Gene A&Evelyn S <Dd>
678 690 61 77	1.00	CND	F	0.70	0.70	\$12.48	\$8.74	Toy Andy B
678 690 61 78	1.00	CND	F	0.70	0.70	\$12.48	\$8.74	Sadeghi Minou E
678 690 61 79	1.00	CND	F	0.70	0.70	\$12.48	\$8.74	Kaida Wing
678 690 61 80	1.00	CND	F	0.70	0.70	\$12.48	\$8.74	Guinane Family Trust
678 690 61 81	1.00	CND	F	0.70	0.70	\$12.48	\$8.74	Sipe Family Trust 10-05-22
678 690 61 82	1.00	CND	F	0.70	0.70	\$12.48	\$8.74	Patton Gerry F Trust 01-25-96
678 690 61 83	1.00	CND	F	0.70	0.70	\$12.48	\$8.74	Salomon Joselito&Maria L

EXHIBIT C - Assessment Roll (Fiscal Year 2024)

Black Mountain Ranch North Maintenance Assessment District

Parcel Number	Acres/ Units ⁽¹⁾	Land Use Code ⁽²⁾	Zone	Land Use Factor ⁽²⁾	Total EBUs	Unit Cost (\$/Ebu)	FY 2024 ⁽³⁾ Assessment	Owner Name
678 690 61 84	1.00	CND	F	0.70	0.70	\$12.48	\$8.74	Norman Ronald J&Caralie J
678 690 61 85	1.00	CND	F	0.70	0.70	\$12.48	\$8.74	Ikeda Naomi C
678 690 61 86	1.00	CND	F	0.70	0.70	\$12.48	\$8.74	Aufderhaar Family Trust 12-27-21
678 690 61 87	1.00	CND	F	0.70	0.70	\$12.48	\$8.74	Cambridge School
678 690 61 88	1.00	CND	F	0.70	0.70	\$12.48	\$8.74	Arthur Larry&Katharina
678 690 61 89	1.00	CND	F	0.70	0.70	\$12.48	\$8.74	Burghdorf Lucia Revocable Trust 03-19-21
678 690 61 90	1.00	CND	F	0.70	0.70	\$12.48	\$8.74	He Yong&Zhang Ran
678 690 61 91	1.00	CND	F	0.70	0.70	\$12.48	\$8.74	Chung Kyunghea K Trust 07-07-20
678 690 61 92	1.00	CND	F	0.70	0.70	\$12.48	\$8.74	Cambridge School
678 690 61 93	1.00	CND	F	0.70	0.70	\$12.48	\$8.74	Leisch Neal&Karen M
678 690 61 94	1.00	CND	F	0.70	0.70	\$12.48	\$8.74	Cheng Jason&Alicia
678 690 61 95	1.00	CND	F	0.70	0.70	\$12.48	\$8.74	Fazal Saleh M&Shmiem
678 690 61 96	1.00	CND	F	0.70	0.70	\$12.48	\$8.74	Downing Joseph S&Rosalie K
678 690 62 00	0.77	COM	F	45.00	34.65	\$12.48	\$432.42	Black Mountain Ranch L L C
678 690 63 00	5.24	COM	F	45.00	235.80	\$12.48	\$2,942.78	Mitchell Repair Information Company Llc
678 690 64 00	1.85	COM	F	45.00	83.25	\$12.48	\$1,038.96	N W B Del Sur Llc
678 690 65 00	0.05	OSP	F	0.00	0.00	\$12.48	\$0.00	N W B Del Sur Llc
678 690 66 00	3.76	STR	G	0.00	0.00	\$14.92	\$0.00	Del Sur Community Association
678 690 67 00	4.58	STR	F	0.00	0.00	\$12.48	\$0.00	Skye Neighborhood Assn
678 690 68 01	1.00	CND	F	0.70	0.70	\$12.48	\$8.74	Rinda Jeffrey E
678 690 68 02	1.00	CND	F	0.70	0.70	\$12.48	\$8.74	Cuevas Revocable Trust 12-31-10
678 690 68 03	1.00	CND	F	0.70	0.70	\$12.48	\$8.74	Pomparelli Joseph&Ariel
678 690 68 04	1.00	CND	F	0.70	0.70	\$12.48	\$8.74	Wolfe Laurence&Susan 2000 Trust 01-27-00
678 690 68 05	1.00	CND	F	0.70	0.70	\$12.48	\$8.74	Barkin Ronald J&Jessica G
678 690 68 06	1.00	CND	F	0.70	0.70	\$12.48	\$8.74	Yuan Ying-Wei&Hsu Susan Trust 05-14-19
678 690 68 07	1.00	CND	F	0.70	0.70	\$12.48	\$8.74	Polydoros Family Trust 08-06-16
678 690 68 08	1.00	CND	F	0.70	0.70	\$12.48	\$8.74	Smith Robin Family Trust 09-18-18
678 690 68 09	1.00	CND	F	0.70	0.70	\$12.48	\$8.74	Fimbres Mario D C&Shana K Family Trust 08-05-92
678 690 68 10	1.00	CND	F	0.70	0.70	\$12.48	\$8.74	Esmaeli Bita
678 690 68 11	1.00	CND	F	0.70	0.70	\$12.48	\$8.74	Dahms Eric W&Nancy L Family Trust 03-05-98
678 690 68 12	1.00	CND	F	0.70	0.70	\$12.48	\$8.74	Brommer Isabel
678 690 68 13	1.00	CND	F	0.70	0.70	\$12.48	\$8.74	Yacobovsky Ze Ev&Amy
678 690 68 14	1.00	CND	F	0.70	0.70	\$12.48	\$8.74	Walker Thomas H Trust 02-15-08
678 690 68 15	1.00	CND	F	0.70	0.70	\$12.48	\$8.74	Kay Family Trust 05-03-00
678 690 68 16	1.00	CND	F	0.70	0.70	\$12.48	\$8.74	Beutler Tammy J Revocable Living Trust 07-13-16
678 690 68 17	1.00	CND	F	0.70	0.70	\$12.48	\$8.74	Qi Frank Yonghao&Yu Crystal Le
678 690 68 18	1.00	CND	F	0.70	0.70	\$12.48	\$8.74	Seckel John M
678 690 68 19	1.00	CND	F	0.70	0.70	\$12.48	\$8.74	Aidi Family Trust 06-04-02
678 690 68 20	1.00	CND	F	0.70	0.70	\$12.48	\$8.74	Bloom Frank&Sheila
678 690 68 21	1.00	CND	F	0.70	0.70	\$12.48	\$8.74	Seitz Trust 01-08-16
678 690 68 22	1.00	CND	F	0.70	0.70	\$12.48	\$8.74	Hsing Frederick&Fei
678 690 68 23	1.00	CND	F	0.70	0.70	\$12.48	\$8.74	Yeh Randolph&Sheng-Chih
678 690 69 00	7.27	STR	F	0.00	0.00	\$12.48	\$0.00	Avante Neighborhood Association
678 690 70 00	4.64	IND	F	15.00	69.60	\$12.48	\$868.60	Dstc Venture Llc
678 690 71 00	1.41	IND	F	15.00	21.15	\$12.48	\$263.94	Dstc Venture Llc
678 690 72 00	0.38	IND	F	15.00	5.70	\$12.48	\$71.14	Black Mountain Ranch L L C
678 690 73 01	1.00	SFD	F	1.00	1.00	\$12.48	\$12.48	Daita Krishna P&Lakshmi S
678 690 73 02	1.00	SFD	F	1.00	1.00	\$12.48	\$12.48	Barzanjy Shaban A
678 690 73 03	1.00	SFD	F	1.00	1.00	\$12.48	\$12.48	Gundert Family Revocable Living Trust 07-14-17
678 690 73 04	1.00	SFD	F	1.00	1.00	\$12.48	\$12.48	Javaheri Family Trust 09-16-21
678 690 73 05	1.00	SFD	F	1.00	1.00	\$12.48	\$12.48	Kotak Kamal M&Karia Salauni R
678 690 73 06	1.00	SFD	F	1.00	1.00	\$12.48	\$12.48	Kakimoto William Masayuki&Amy C
678 690 73 07	1.00	SFD	F	1.00	1.00	\$12.48	\$12.48	Haghdad Trust 01-25-22
678 690 73 08	1.00	SFD	F	1.00	1.00	\$12.48	\$12.48	Schafer Eric C&Jaime L
678 690 73 09	1.00	SFD	F	1.00	1.00	\$12.48	\$12.48	Pan Kuanchen&Liao Ting-Hsuan
678 690 73 10	1.00	SFD	F	1.00	1.00	\$12.48	\$12.48	Moturi Marin C
678 690 73 11	1.00	SFD	F	1.00	1.00	\$12.48	\$12.48	Chang Yao-Jen&Lee Pei-Lun
678 690 73 12	1.00	SFD	F	1.00	1.00	\$12.48	\$12.48	Hosmani Parameshwar
678 690 73 13	1.00	SFD	F	1.00	1.00	\$12.48	\$12.48	Pandey Gouri&Kesarri Akanchha

EXHIBIT C - Assessment Roll (Fiscal Year 2024)

Black Mountain Ranch North Maintenance Assessment District

Parcel Number	Acres/ Units ⁽¹⁾	Land Use Code ⁽²⁾	Zone	Land Use Factor ⁽²⁾	Total EBU's	Unit Cost (\$/EBU)	FY 2024 ⁽³⁾ Assessment	Owner Name
678 690 73 14	1.00	SFD	F	1.00	1.00	\$12.48	\$12.48	Srivastava Prashant&Richa
678 690 74 00	31.00	MFR	F	0.70	21.70	\$12.48	\$270.82	Fairbanks Terrace Ii C I C Lp
678 690 75 00	0.97	STR	F	0.00	0.00	\$12.48	\$0.00	Lennar Homes Of California Inc
678 691 03 00	1.80	PKU	G	0.50	0.90	\$14.92	\$13.42	Black Mountain Ranch L L C
678 691 04 00	13.84	PKU	G	0.50	6.92	\$14.92	\$103.24	Black Mountain Ranch L L C
678 691 05 01	1.00	CND	G	0.70	0.70	\$14.92	\$10.44	Grahl Tyler M&Megan A
678 691 05 02	1.00	CND	G	0.70	0.70	\$14.92	\$10.44	Cutchin Amy E Trust 08-06-20
678 691 05 03	1.00	CND	G	0.70	0.70	\$14.92	\$10.44	Su Bin&Che Duo
678 691 05 04	1.00	CND	G	0.70	0.70	\$14.92	\$10.44	Bartz Albert L&Ikeda Ayako
678 691 06 01	1.00	CND	G	0.70	0.70	\$14.92	\$10.44	Huang Meixia
678 691 06 02	1.00	CND	G	0.70	0.70	\$14.92	\$10.44	Misi Elizabeth
678 691 06 03	1.00	CND	G	0.70	0.70	\$14.92	\$10.44	Hensle Chad&Kelli
678 691 06 04	1.00	CND	G	0.70	0.70	\$14.92	\$10.44	Kang Hoseok&Yu Hyunjung
678 691 07 01	1.00	CND	G	0.70	0.70	\$14.92	\$10.44	Enrique Greg M
678 691 07 02	1.00	CND	G	0.70	0.70	\$14.92	\$10.44	Yang Su&Cheung Yuen Ting
678 691 07 03	1.00	CND	G	0.70	0.70	\$14.92	\$10.44	Standiford Jonathan W&Heidi F
678 691 07 04	1.00	CND	G	0.70	0.70	\$14.92	\$10.44	Tang Crystal C Revocable Trust 08-31-07
678 691 09 01	1.00	CND	G	0.70	0.70	\$14.92	\$10.44	Forrest/Latz Survivors Trust 03-11-96
678 691 09 02	1.00	CND	G	0.70	0.70	\$14.92	\$10.44	Reynoso Michael A&Anna M
678 691 09 03	1.00	CND	G	0.70	0.70	\$14.92	\$10.44	Chen Alan Hsiang-Shang&Cheng Catherine
678 691 09 04	1.00	CND	G	0.70	0.70	\$14.92	\$10.44	Jerome John R&Sarah M
678 691 10 01	1.00	CND	G	0.70	0.70	\$14.92	\$10.44	Chou Tommy&Grace Hui
678 691 10 02	1.00	CND	G	0.70	0.70	\$14.92	\$10.44	Courter Donald L&Joanna Cheung-Yan L Revocable Tru
678 691 10 03	1.00	CND	G	0.70	0.70	\$14.92	\$10.44	Banerjee Debdeep&Mukherjee Sudeshna
678 691 10 04	1.00	CND	G	0.70	0.70	\$14.92	\$10.44	Enyedi Family Trust 03-21-16
678 691 10 05	1.00	CND	G	0.70	0.70	\$14.92	\$10.44	Kung Christopher C
678 691 11 01	1.00	CND	G	0.70	0.70	\$14.92	\$10.44	Y S P Y Trust 06-09-14
678 691 11 02	1.00	CND	G	0.70	0.70	\$14.92	\$10.44	Subroto Fransiska
678 691 11 03	1.00	CND	G	0.70	0.70	\$14.92	\$10.44	Lin Katherine
678 691 11 04	1.00	CND	G	0.70	0.70	\$14.92	\$10.44	Anderson Andrew J Family Trust 05-09-18
678 691 11 05	1.00	CND	G	0.70	0.70	\$14.92	\$10.44	Shewry Steven&Judith M
678 691 12 00	0.41	STR	G	0.00	0.00	\$14.92	\$0.00	Calatlantic Group Inc
678 700 02 00	0.87	OSP	H	0.00	0.00	\$8.84	\$0.00	Veridian Community Association
678 700 03 00	1.28	OSP	H	0.00	0.00	\$8.84	\$0.00	Calatlantic Group Inc
678 700 04 00	0.22	OSP	H	0.00	0.00	\$8.84	\$0.00	Calatlantic Group Inc
678 700 05 00	2.38	OSP	H	0.00	0.00	\$8.84	\$0.00	Veridian Community Association
678 700 06 00	4.05	OSP	H	0.00	0.00	\$8.84	\$0.00	Veridian Community Association
678 700 07 01	1.00	CND	H	0.70	0.70	\$8.84	\$6.18	Gaddam Sachethan&Divya
678 700 07 02	1.00	CND	H	0.70	0.70	\$8.84	\$6.18	Liu Paul&Ho Phoebe
678 700 07 03	1.00	CND	H	0.70	0.70	\$8.84	\$6.18	Reza Family Trust 09-24-01
678 700 07 04	1.00	CND	H	0.70	0.70	\$8.84	\$6.18	Shen Hong&Niu Xinchun
678 700 07 05	1.00	CND	H	0.70	0.70	\$8.84	\$6.18	Narendra&Usha Trust 07-05-22
678 700 07 06	1.00	CND	H	0.70	0.70	\$8.84	\$6.18	Stone A&R Family Trust 11-11-20
678 700 07 07	1.00	CND	H	0.70	0.70	\$8.84	\$6.18	Guzman Rainnier&Joanne Huang
678 700 07 08	1.00	CND	H	0.70	0.70	\$8.84	\$6.18	Miller Blair R&Monica B
678 700 07 09	1.00	CND	H	0.70	0.70	\$8.84	\$6.18	Sami Shadi
678 700 07 10	1.00	CND	H	0.70	0.70	\$8.84	\$6.18	Carlson Stephen R&Jenette
678 700 07 11	1.00	CND	H	0.70	0.70	\$8.84	\$6.18	Njos Gerald T&Cindy L
678 700 07 12	1.00	CND	H	0.70	0.70	\$8.84	\$6.18	Carden Keith&Carolyn
678 700 08 01	1.00	CND	H	0.70	0.70	\$8.84	\$6.18	Meghavath Balram N&Badavath Saroja
678 700 08 02	1.00	CND	H	0.70	0.70	\$8.84	\$6.18	Czerniak Chad&Laetitia
678 700 08 03	1.00	CND	H	0.70	0.70	\$8.84	\$6.18	Lee Robin&Irene
678 700 08 04	1.00	CND	H	0.70	0.70	\$8.84	\$6.18	Aguirre Mario&Karin 2015 Family Trust 04-15-15
678 700 08 05	1.00	CND	H	0.70	0.70	\$8.84	\$6.18	Cruz Wilfrido D&Maria C
678 700 08 06	1.00	CND	H	0.70	0.70	\$8.84	\$6.18	Sun Mei Hong
678 700 09 01	1.00	CND	H	0.70	0.70	\$8.84	\$6.18	Rullman Timothy&He Runlan Trust 07-13-22
678 700 09 02	1.00	CND	H	0.70	0.70	\$8.84	\$6.18	Asmus T&K Trust 02-23-17
678 700 09 03	1.00	CND	H	0.70	0.70	\$8.84	\$6.18	Simpson Michael&Maureen
678 700 09 04	1.00	CND	H	0.70	0.70	\$8.84	\$6.18	Boganey Anthony C

EXHIBIT C - Assessment Roll (Fiscal Year 2024)

Black Mountain Ranch North Maintenance Assessment District

Parcel Number	Acres/ Units ⁽¹⁾	Land Use Code ⁽²⁾	Zone	Land Use Factor ⁽²⁾	Total EBU's	Unit Cost (\$/EBU)	FY 2024 ⁽³⁾ Assessment	Owner Name
678 700 09 05	1.00	CND	H	0.70	0.70	\$8.84	\$6.18	Young Aaron J&Linda P
678 700 09 06	1.00	CND	H	0.70	0.70	\$8.84	\$6.18	Chorbajian Alain&Alzate Cathalina
678 700 10 01	1.00	CND	H	0.70	0.70	\$8.84	\$6.18	Kong Robert Ho&Tsoi-Kong Horyan Winnie
678 700 10 02	1.00	CND	H	0.70	0.70	\$8.84	\$6.18	Lu-Zhu Faith Family Trust 10-07-20
678 700 10 03	1.00	CND	H	0.70	0.70	\$8.84	\$6.18	Xiang Xinjiang&Li Xinlei
678 700 10 04	1.00	CND	H	0.70	0.70	\$8.84	\$6.18	Chinn Ryan
678 700 10 05	1.00	CND	H	0.70	0.70	\$8.84	\$6.18	Haldi Kyle H&Jana A
678 700 10 06	1.00	CND	H	0.70	0.70	\$8.84	\$6.18	Yu Jian Hang&Cheng Yovnie W
678 700 10 07	1.00	CND	H	0.70	0.70	\$8.84	\$6.18	Leung Andy Taichi&Stephanie Tsai
678 700 10 08	1.00	CND	H	0.70	0.70	\$8.84	\$6.18	Hong Xuelin
678 700 10 09	1.00	CND	H	0.70	0.70	\$8.84	\$6.18	Xi Qing Yun
678 700 10 10	1.00	CND	H	0.70	0.70	\$8.84	\$6.18	Sylliaasen Michael&Lefferman Claudette
678 700 10 11	1.00	CND	H	0.70	0.70	\$8.84	\$6.18	Neak Jason D&Ha Michelle Ngoclan Le
678 700 10 12	1.00	CND	H	0.70	0.70	\$8.84	\$6.18	Adams Austin&Brittnie
678 700 12 01	1.00	CND	H	0.70	0.70	\$8.84	\$6.18	Chu Jeffrey
678 700 12 02	1.00	CND	H	0.70	0.70	\$8.84	\$6.18	Voyles Jonathan L&Anny
678 700 12 03	1.00	CND	H	0.70	0.70	\$8.84	\$6.18	Sallay Adam&Monica B
678 700 12 04	1.00	CND	H	0.70	0.70	\$8.84	\$6.18	Kim Bup Jin&Yeong Ok
678 700 12 05	1.00	CND	H	0.70	0.70	\$8.84	\$6.18	Jacquez Jacquelyn
678 700 12 06	1.00	CND	H	0.70	0.70	\$8.84	\$6.18	Chi-Mun Ryan&Lein Julie
678 700 12 07	1.00	CND	H	0.70	0.70	\$8.84	\$6.18	Culver Benjamin A&Carol A
678 700 12 08	1.00	CND	H	0.70	0.70	\$8.84	\$6.18	Calatlantic Group Inc
678 700 12 09	1.00	CND	H	0.70	0.70	\$8.84	\$6.18	Raghnatha Vinay M&Sampath Divya
678 700 12 10	1.00	CND	H	0.70	0.70	\$8.84	\$6.18	Shojai Brandon&Claudia Family Trust 11-12-12
678 700 12 11	1.00	CND	H	0.70	0.70	\$8.84	\$6.18	Pham Nam&Ho May
678 700 12 12	1.00	CND	H	0.70	0.70	\$8.84	\$6.18	Zhou Chun Wen
678 700 13 01	1.00	CND	H	0.70	0.70	\$8.84	\$6.18	Hill Duncan
678 700 13 02	1.00	CND	H	0.70	0.70	\$8.84	\$6.18	Lim Peter Chee-Keng&Mui-Teng Karen
678 700 13 03	1.00	CND	H	0.70	0.70	\$8.84	\$6.18	Frechette Rebecca
678 700 13 04	1.00	CND	H	0.70	0.70	\$8.84	\$6.18	Sullivan Family Trust 04-08-16
678 700 13 05	1.00	CND	H	0.70	0.70	\$8.84	\$6.18	Riegner Rudolf W Iii
678 700 13 06	1.00	CND	H	0.70	0.70	\$8.84	\$6.18	Plett Zackery A
678 700 13 07	1.00	CND	H	0.70	0.70	\$8.84	\$6.18	Militeev Andrei&Militeeva Yevgenia
678 700 14 01	1.00	CND	H	0.70	0.70	\$8.84	\$6.18	Cecchetto Carlo&Jennifer
678 700 14 02	1.00	CND	H	0.70	0.70	\$8.84	\$6.18	Nunn Adam W
678 700 14 03	1.00	CND	H	0.70	0.70	\$8.84	\$6.18	Castro Josselito&Teofila
678 700 14 04	1.00	CND	H	0.70	0.70	\$8.84	\$6.18	Arora Tarun&Shrivastava Tanya
678 700 14 05	1.00	CND	H	0.70	0.70	\$8.84	\$6.18	Fuller Joon L
678 700 14 06	1.00	CND	H	0.70	0.70	\$8.84	\$6.18	Mahzari Neema M
678 700 14 07	1.00	CND	H	0.70	0.70	\$8.84	\$6.18	Excelis Corporation
678 700 14 08	1.00	CND	H	0.70	0.70	\$8.84	\$6.18	Spencer Mario C&Natvadee
678 700 15 01	1.00	CND	H	0.70	0.70	\$8.84	\$6.18	Tummala Gopi K
678 700 15 02	1.00	CND	H	0.70	0.70	\$8.84	\$6.18	Hong Michael M&Kathleen M
678 700 15 03	1.00	CND	H	0.70	0.70	\$8.84	\$6.18	Lu Yang&Gu Mengjia
678 700 15 04	1.00	CND	H	0.70	0.70	\$8.84	\$6.18	Mamnia Nimesh J&Savla Sneha
678 700 15 05	1.00	CND	H	0.70	0.70	\$8.84	\$6.18	Jammer Quentin
678 700 15 06	1.00	CND	H	0.70	0.70	\$8.84	\$6.18	Sherzai Jamal N&Hossai L
678 700 15 07	1.00	CND	H	0.70	0.70	\$8.84	\$6.18	Brotman Michael&Robin
678 700 15 08	1.00	CND	H	0.70	0.70	\$8.84	\$6.18	Kevorkian Crenguta E
678 700 15 09	1.00	CND	H	0.70	0.70	\$8.84	\$6.18	Buck Angela M
678 700 15 10	1.00	CND	H	0.70	0.70	\$8.84	\$6.18	Nakamoto Ryan P
678 700 15 11	1.00	CND	H	0.70	0.70	\$8.84	\$6.18	Louie&Tai Family 2014 Trust 11-13-14
678 700 15 12	1.00	CND	H	0.70	0.70	\$8.84	\$6.18	Kwon Ho Min&Park Sihyeon
678 700 16 01	1.00	CND	H	0.70	0.70	\$8.84	\$6.18	Garg Vikram&Sood Poonam
678 700 16 02	1.00	CND	H	0.70	0.70	\$8.84	\$6.18	Kilpatrick John M&Cheryl E
678 700 16 03	1.00	CND	H	0.70	0.70	\$8.84	\$6.18	Valayanurkrishnan Lakshminarayanan&Madhavan Prathib
678 700 16 04	1.00	CND	H	0.70	0.70	\$8.84	\$6.18	Lam Amos Tsz Nok
678 700 16 05	1.00	CND	H	0.70	0.70	\$8.84	\$6.18	Marks Matthew&Handson Anita
678 700 16 06	1.00	CND	H	0.70	0.70	\$8.84	\$6.18	Kameswaran Sathish S&Sathish Nenjukkini

EXHIBIT C - Assessment Roll (Fiscal Year 2024)

Black Mountain Ranch North Maintenance Assessment District

Parcel Number	Acres/ Units ⁽¹⁾	Land Use Code ⁽²⁾	Zone	Land Use Factor ⁽²⁾	Total EBU's	Unit Cost (\$/EBU)	FY 2024 ⁽³⁾ Assessment	Owner Name
678 700 16 07	1.00	CND	H	0.70	0.70	\$8.84	\$6.18	Prabhu Prasada Laxminarayan&Sukumar Kavitha
678 700 16 08	1.00	CND	H	0.70	0.70	\$8.84	\$6.18	Olivier Alexandra
678 700 16 09	1.00	CND	H	0.70	0.70	\$8.84	\$6.18	Dotemoto Philip
678 700 16 10	1.00	CND	H	0.70	0.70	\$8.84	\$6.18	Ren Pingda&Jiang Shumei
678 700 16 11	1.00	CND	H	0.70	0.70	\$8.84	\$6.18	Gist Brian W&Erica A
678 700 16 12	1.00	CND	H	0.70	0.70	\$8.84	\$6.18	Nguyen Duy Hong&Petra Minh Tram Nam
678 700 17 01	1.00	CND	H	0.70	0.70	\$8.84	\$6.18	Ashby Ryan R&Kelly L
678 700 17 02	1.00	CND	H	0.70	0.70	\$8.84	\$6.18	Roberts Jeffrey&Susanne
678 700 17 03	1.00	CND	H	0.70	0.70	\$8.84	\$6.18	Bolinger Andrew
678 700 17 04	1.00	CND	H	0.70	0.70	\$8.84	\$6.18	Guo Bishan&Wang Shaohuai
678 700 17 05	1.00	CND	H	0.70	0.70	\$8.84	\$6.18	Proteau Emilie
678 700 17 06	1.00	CND	H	0.70	0.70	\$8.84	\$6.18	Furtado Ryan S&Katherine E
678 700 18 01	1.00	CND	H	0.70	0.70	\$8.84	\$6.18	Pascua Joseph R&Simone M
678 700 18 02	1.00	CND	H	0.70	0.70	\$8.84	\$6.18	Charles Ashley
678 700 18 03	1.00	CND	H	0.70	0.70	\$8.84	\$6.18	Raitor Matthew M&Ashley A
678 700 18 04	1.00	CND	H	0.70	0.70	\$8.84	\$6.18	Greer Curtis T&Kate A
678 700 18 05	1.00	CND	H	0.70	0.70	\$8.84	\$6.18	Schreck Survivors Trust 04-25-04
678 700 18 06	1.00	CND	H	0.70	0.70	\$8.84	\$6.18	Sami Raden T&Hart Jelane E
678 700 19 01	1.00	CND	H	0.70	0.70	\$8.84	\$6.18	Pietro Michael R&Elizabeth A
678 700 19 02	1.00	CND	H	0.70	0.70	\$8.84	\$6.18	Hilbert John F&Lorri A
678 700 19 03	1.00	CND	H	0.70	0.70	\$8.84	\$6.18	Roberts Malcolm&Travay
678 700 19 04	1.00	CND	H	0.70	0.70	\$8.84	\$6.18	Bernardo Anthony C&Emmeline G
678 700 19 05	1.00	CND	H	0.70	0.70	\$8.84	\$6.18	Silldorf David R
678 700 19 06	1.00	CND	H	0.70	0.70	\$8.84	\$6.18	Pate-Cazal Arnaud&Andrea
678 700 20 01	1.00	CND	H	0.70	0.70	\$8.84	\$6.18	Raut Swapnil&Kulkarni Amruta
678 700 20 02	1.00	CND	H	0.70	0.70	\$8.84	\$6.18	Casebier Ryan T&Ashley E
678 700 20 03	1.00	CND	H	0.70	0.70	\$8.84	\$6.18	Calatlantic Group Inc
678 700 20 04	1.00	CND	H	0.70	0.70	\$8.84	\$6.18	Hewerdine Andrew&Heintz Sally
678 700 20 05	1.00	CND	H	0.70	0.70	\$8.84	\$6.18	Mcswiggin Family Trust 12-12-05
678 700 20 06	1.00	CND	H	0.70	0.70	\$8.84	\$6.18	Donoho-Kasner Tiffanie G
678 700 21 01	1.00	CND	H	0.70	0.70	\$8.84	\$6.18	Carpenter Scott&Ashley
678 700 21 02	1.00	CND	H	0.70	0.70	\$8.84	\$6.18	Dauria Gretchen
678 700 21 03	1.00	CND	H	0.70	0.70	\$8.84	\$6.18	Calatlantic Group Inc
678 700 21 04	1.00	CND	H	0.70	0.70	\$8.84	\$6.18	Heiland David&Amy
678 700 21 05	1.00	CND	H	0.70	0.70	\$8.84	\$6.18	Jerome John R&Sarah
678 700 21 06	1.00	CND	H	0.70	0.70	\$8.84	\$6.18	Sirek Susan A
678 700 23 01	1.00	CND	H	0.70	0.70	\$8.84	\$6.18	Kim Young M&Alice M
678 700 23 02	1.00	CND	H	0.70	0.70	\$8.84	\$6.18	Sundaresan Sairam&Janardhanan Preethi
678 700 23 03	1.00	CND	H	0.70	0.70	\$8.84	\$6.18	Oconnor Patrick S&Mary A R
678 700 23 04	1.00	CND	H	0.70	0.70	\$8.84	\$6.18	Zhang Xiaohu&Dang Min
678 700 23 05	1.00	CND	H	0.70	0.70	\$8.84	\$6.18	Opendoor Property C Llc
678 700 23 06	1.00	CND	H	0.70	0.70	\$8.84	\$6.18	Ashtewale Abhishek K&Akshata A
678 700 23 07	1.00	CND	H	0.70	0.70	\$8.84	\$6.18	Carrington Paul
678 700 23 08	1.00	CND	H	0.70	0.70	\$8.84	\$6.18	Du Qinghui&Miao Xiufang
678 700 23 09	1.00	CND	H	0.70	0.70	\$8.84	\$6.18	Do An Hoi
678 700 23 10	1.00	CND	H	0.70	0.70	\$8.84	\$6.18	Yun Minil
678 700 23 11	1.00	CND	H	0.70	0.70	\$8.84	\$6.18	Bao Wenting
678 700 23 12	1.00	CND	H	0.70	0.70	\$8.84	\$6.18	Murphy William B
678 700 24 01	1.00	CND	H	0.70	0.70	\$8.84	\$6.18	Stufflebean 2010 Revocable Trust 11-04-10
678 700 24 02	1.00	CND	H	0.70	0.70	\$8.84	\$6.18	Chi Family Trust 08-04-20
678 700 24 03	1.00	CND	H	0.70	0.70	\$8.84	\$6.18	Segui Johandry A&Lopez Griselda A E
678 700 24 04	1.00	CND	H	0.70	0.70	\$8.84	\$6.18	Videbeck Angelina
678 700 24 05	1.00	CND	H	0.70	0.70	\$8.84	\$6.18	Pu-Chu Trust 08-29-00
678 700 24 06	1.00	CND	H	0.70	0.70	\$8.84	\$6.18	Huang Chao-Huan&Chang Ting Yun
678 700 24 07	1.00	CND	H	0.70	0.70	\$8.84	\$6.18	Newman Dana
678 700 24 08	1.00	CND	H	0.70	0.70	\$8.84	\$6.18	Llanes Andrew
678 700 24 09	1.00	CND	H	0.70	0.70	\$8.84	\$6.18	Sandan Emilyann L
678 700 24 10	1.00	CND	H	0.70	0.70	\$8.84	\$6.18	Messier Marisa
678 700 24 11	1.00	CND	H	0.70	0.70	\$8.84	\$6.18	Zhao Yu Steve&Li Ruoheng S

EXHIBIT C - Assessment Roll (Fiscal Year 2024)

Black Mountain Ranch North Maintenance Assessment District

Parcel Number	Acres/ Units ⁽¹⁾	Land Use Code ⁽²⁾	Zone	Land Use Factor ⁽²⁾	Total EBUs	Unit Cost (\$/Ebu)	FY 2024 ⁽³⁾ Assessment	Owner Name
678 700 24 12	1.00	CND	H	0.70	0.70	\$8.84	\$6.18	Shadeed Jordan
678 700 25 01	1.00	CND	H	0.70	0.70	\$8.84	\$6.18	Rathaur Shailendra
678 700 25 02	1.00	CND	H	0.70	0.70	\$8.84	\$6.18	Devereux Marc&Lagudi-Devereux Eva
678 700 25 03	1.00	CND	H	0.70	0.70	\$8.84	\$6.18	Wang Miao&Qin Dazhi
678 700 25 04	1.00	CND	H	0.70	0.70	\$8.84	\$6.18	Mccague Andrew
678 700 25 05	1.00	CND	H	0.70	0.70	\$8.84	\$6.18	Pouryazdanpanah Ali& Pirbastami Sogol
678 700 25 06	1.00	CND	H	0.70	0.70	\$8.84	\$6.18	Yang Yuping&Luo Li
678 700 25 07	1.00	CND	H	0.70	0.70	\$8.84	\$6.18	Choudhary Family 2018 Living Trust 05-23-18
678 700 25 08	1.00	CND	H	0.70	0.70	\$8.84	\$6.18	Akotia Shivani H
678 700 25 09	1.00	CND	H	0.70	0.70	\$8.84	\$6.18	Grcar Barbara Revocable Trust 05-04-18
678 700 25 10	1.00	CND	H	0.70	0.70	\$8.84	\$6.18	Zeng Wenxi&Lai Yishu
678 700 25 11	1.00	CND	H	0.70	0.70	\$8.84	\$6.18	Bernal Michael&Noelle C Revocable Living Trust 08-
678 700 25 12	1.00	CND	H	0.70	0.70	\$8.84	\$6.18	Jin Ye
678 700 26 01	1.00	CND	H	0.70	0.70	\$8.84	\$6.18	Gangavelli Uday K&Urvasi S
678 700 26 02	1.00	CND	H	0.70	0.70	\$8.84	\$6.18	Bao Guobao&Gao Xuhong
678 700 26 03	1.00	CND	H	0.70	0.70	\$8.84	\$6.18	Bender Heidi L
678 700 26 04	1.00	CND	H	0.70	0.70	\$8.84	\$6.18	Gusakov Residence Trust
678 700 26 05	1.00	CND	H	0.70	0.70	\$8.84	\$6.18	Naidu Kartik&Narra Alekhya R
678 700 26 06	1.00	CND	H	0.70	0.70	\$8.84	\$6.18	Bollepalli Sarath&Dalapathirao Ramya K
678 700 27 01	1.00	CND	H	0.70	0.70	\$8.84	\$6.18	Pattipati Sainath K
678 700 27 02	1.00	CND	H	0.70	0.70	\$8.84	\$6.18	Wen Bo&Shi Yangyu
678 700 27 03	1.00	CND	H	0.70	0.70	\$8.84	\$6.18	Saleh Elan&Tiffany
678 700 27 04	1.00	CND	H	0.70	0.70	\$8.84	\$6.18	Lu Weibin&Ding Xizhu
678 700 27 05	1.00	CND	H	0.70	0.70	\$8.84	\$6.18	Brotman Michael&Robin Family Trust 05-03-21
678 700 27 06	1.00	CND	H	0.70	0.70	\$8.84	\$6.18	Lu Zhiyuan&Xu Li
678 700 28 01	1.00	CND	H	0.70	0.70	\$8.84	\$6.18	Alverde Elsa M 2006 Living Trust 03-30-06
678 700 28 02	1.00	CND	H	0.70	0.70	\$8.84	\$6.18	Bahari Abbas&Nguyen Thanh Thi
678 700 28 03	1.00	CND	H	0.70	0.70	\$8.84	\$6.18	Msawbah Kyle&Mansfield Renee A
678 700 28 04	1.00	CND	H	0.70	0.70	\$8.84	\$6.18	Shabalin Residence Trust
678 700 28 05	1.00	CND	H	0.70	0.70	\$8.84	\$6.18	Majul Sibia E P
678 700 28 06	1.00	CND	H	0.70	0.70	\$8.84	\$6.18	Zaback Family Trust 02-15-17
678 700 29 01	1.00	CND	H	0.70	0.70	\$8.84	\$6.18	Les Grandes Esperances Management Trust 02-23-17 E
678 700 29 02	1.00	CND	H	0.70	0.70	\$8.84	\$6.18	Hananya David&Rachel
678 700 29 03	1.00	CND	H	0.70	0.70	\$8.84	\$6.18	Tullius Lance R Revocable Living Trust 12-21-20
678 700 29 04	1.00	CND	H	0.70	0.70	\$8.84	\$6.18	Baek Minson
678 700 29 05	1.00	CND	H	0.70	0.70	\$8.84	\$6.18	Chen Vincent Y&Clara O
678 700 29 06	1.00	CND	H	0.70	0.70	\$8.84	\$6.18	Hou Ann
678 700 31 01	1.00	CND	H	0.70	0.70	\$8.84	\$6.18	Selvaraj Venkateshkumar&Gopalakrishnan.Jeevitha J
678 700 31 02	1.00	CND	H	0.70	0.70	\$8.84	\$6.18	Sanghi Jun
678 700 31 03	1.00	CND	H	0.70	0.70	\$8.84	\$6.18	Coleman Chad&Tibett
678 700 31 04	1.00	CND	H	0.70	0.70	\$8.84	\$6.18	Abordo Clarke F&Jennifer B
678 700 31 05	1.00	CND	H	0.70	0.70	\$8.84	\$6.18	Wong Cody J&Kathryn
678 700 31 06	1.00	CND	H	0.70	0.70	\$8.84	\$6.18	Zhu Xing
678 700 31 07	1.00	CND	H	0.70	0.70	\$8.84	\$6.18	Yun Changhan&Kwon Eunha
678 700 32 01	1.00	CND	H	0.70	0.70	\$8.84	\$6.18	Hall Jacob&Elisabeth D
678 700 32 02	1.00	CND	H	0.70	0.70	\$8.84	\$6.18	Liang John K&Lam Wendy W
678 700 32 03	1.00	CND	H	0.70	0.70	\$8.84	\$6.18	Schwartz Derek&Hillary
678 700 32 04	1.00	CND	H	0.70	0.70	\$8.84	\$6.18	Gu Anjun
678 700 32 05	1.00	CND	H	0.70	0.70	\$8.84	\$6.18	Willard Lindsay C
678 700 32 06	1.00	CND	H	0.70	0.70	\$8.84	\$6.18	Poulsen Joshua B&Amanda A
678 700 33 01	1.00	CND	H	0.70	0.70	\$8.84	\$6.18	16129 Veridian Circle Trust 10-27-17
678 700 33 02	1.00	CND	H	0.70	0.70	\$8.84	\$6.18	Arnett Terrence S&Pamela J Trust 11-24-09
678 700 33 03	1.00	CND	H	0.70	0.70	\$8.84	\$6.18	Chen Ming&Wang Ying
678 700 33 04	1.00	CND	H	0.70	0.70	\$8.84	\$6.18	Raghunathan Shraavan K&Narasimhan Ayishwarya
678 700 33 05	1.00	CND	H	0.70	0.70	\$8.84	\$6.18	Shyadligeri Ramesh&Kativa
678 700 33 06	1.00	CND	H	0.70	0.70	\$8.84	\$6.18	Greiner Robert M&Lenore J Revocable Trust 09-06-03
678 700 33 07	1.00	CND	H	0.70	0.70	\$8.84	\$6.18	Uppalapati Phani K&Rama P
678 700 34 01	1.00	CND	H	0.70	0.70	\$8.84	\$6.18	Cistrone Romualdo&Pia
678 700 34 02	1.00	CND	H	0.70	0.70	\$8.84	\$6.18	Nahman Vance&Kathleen Living Trust 08-18-05

EXHIBIT C - Assessment Roll (Fiscal Year 2024)
Black Mountain Ranch North Maintenance Assessment District

Parcel Number	Acres/ Units ⁽¹⁾	Land Use Code ⁽²⁾	Zone	Land Use Factor ⁽²⁾	Total EBU's	Unit Cost (\$/EBU)	FY 2024 ⁽³⁾ Assessment	Owner Name
678 700 34 03	1.00	CND	H	0.70	0.70	\$8.84	\$6.18	He Zhenhao&Li Liting
678 700 34 04	1.00	CND	H	0.70	0.70	\$8.84	\$6.18	Krishnamurthappa Ram J&Srinivasareddy Lakshmishree
678 700 34 05	1.00	CND	H	0.70	0.70	\$8.84	\$6.18	Snyder Kelle J Trust 10-11-11
678 700 34 06	1.00	CND	H	0.70	0.70	\$8.84	\$6.18	Branson Anne W W Trust 12-20-18
678 700 34 07	1.00	CND	H	0.70	0.70	\$8.84	\$6.18	Zimble Gary
678 700 35 01	1.00	CND	H	0.70	0.70	\$8.84	\$6.18	Samani Mahmoud K
678 700 35 02	1.00	CND	H	0.70	0.70	\$8.84	\$6.18	Sakee Trust 07-01-20
678 700 35 03	1.00	CND	H	0.70	0.70	\$8.84	\$6.18	Tang Guoliang&Li Yan
678 700 35 04	1.00	CND	H	0.70	0.70	\$8.84	\$6.18	Alsaialy Hana
678 700 35 05	1.00	CND	H	0.70	0.70	\$8.84	\$6.18	Demers Angelina J Trust 07-22-20
678 700 35 06	1.00	CND	H	0.70	0.70	\$8.84	\$6.18	Wagner Tyler&Natasha Family Trust 06-26-20
678 700 35 07	1.00	CND	H	0.70	0.70	\$8.84	\$6.18	Yogi Manoj K N&Surandase S
678 700 36 01	1.00	CND	H	0.70	0.70	\$8.84	\$6.18	Passero Roger J
678 700 36 02	1.00	CND	H	0.70	0.70	\$8.84	\$6.18	Gao Yingjie&Li Jessie
678 700 36 03	1.00	CND	H	0.70	0.70	\$8.84	\$6.18	Guthrie Barbara R
678 700 36 04	1.00	CND	H	0.70	0.70	\$8.84	\$6.18	Toporin Maksym&Matiushchenko Olesia
678 700 36 05	1.00	CND	H	0.70	0.70	\$8.84	\$6.18	Sherlin Michael R&Victoria E
678 700 36 06	1.00	CND	H	0.70	0.70	\$8.84	\$6.18	Smith Modie Christon&Randev Aditi
678 700 36 07	1.00	CND	H	0.70	0.70	\$8.84	\$6.18	Berger Aaron J&Elana E
678 700 36 08	1.00	CND	H	0.70	0.70	\$8.84	\$6.18	Holowach Courtney
678 700 36 09	1.00	CND	H	0.70	0.70	\$8.84	\$6.18	Mccartin Shaun M&Kristen
678 700 36 10	1.00	CND	H	0.70	0.70	\$8.84	\$6.18	Delamare Benjamin J&Marian
678 700 36 11	1.00	CND	H	0.70	0.70	\$8.84	\$6.18	Bojorquez Mona L
678 700 36 12	1.00	CND	H	0.70	0.70	\$8.84	\$6.18	Walby Christopher A&Ramos Jillian L
678 700 37 01	1.00	CND	H	0.70	0.70	\$8.84	\$6.18	Wang Hailong&Shen Xiaoling
678 700 37 02	1.00	CND	H	0.70	0.70	\$8.84	\$6.18	Wang Zhi&Zhang Shujun
678 700 37 03	1.00	CND	H	0.70	0.70	\$8.84	\$6.18	Yuan Tao&Zhang Zhaohui
678 700 37 04	1.00	CND	H	0.70	0.70	\$8.84	\$6.18	Ruiz Stephen&Desiree
678 700 37 05	1.00	CND	H	0.70	0.70	\$8.84	\$6.18	Lai Angela
678 700 37 06	1.00	CND	H	0.70	0.70	\$8.84	\$6.18	Hsu Eli
678 700 37 07	1.00	CND	H	0.70	0.70	\$8.84	\$6.18	Patel Sheelen&Katherine
678 700 37 08	1.00	CND	H	0.70	0.70	\$8.84	\$6.18	Moazzaz Payam&Amanda
678 700 37 09	1.00	CND	H	0.70	0.70	\$8.84	\$6.18	Xue Qing&Zhou Jingxiong
678 700 37 10	1.00	CND	H	0.70	0.70	\$8.84	\$6.18	Kamboj Puneet&Ritu
678 700 37 11	1.00	CND	H	0.70	0.70	\$8.84	\$6.18	Tang Living Trust 09-08-21
678 700 37 12	1.00	CND	H	0.70	0.70	\$8.84	\$6.18	Cheng Yan Yan
678 700 38 01	1.00	CND	H	0.70	0.70	\$8.84	\$6.18	Penumatcha Santhosh V
678 700 38 02	1.00	CND	H	0.70	0.70	\$8.84	\$6.18	Mao Xiaowan
678 700 38 03	1.00	CND	H	0.70	0.70	\$8.84	\$6.18	Yamasaki Ashleigh L
678 700 38 04	1.00	CND	H	0.70	0.70	\$8.84	\$6.18	Sabatine Nicholas
678 700 38 05	1.00	CND	H	0.70	0.70	\$8.84	\$6.18	Zheng Haitao
678 700 38 06	1.00	CND	H	0.70	0.70	\$8.84	\$6.18	Patne Satyajit&Deepa Satyajit
678 700 38 07	1.00	CND	H	0.70	0.70	\$8.84	\$6.18	Guo Jianqing
678 700 38 08	1.00	CND	H	0.70	0.70	\$8.84	\$6.18	Knopp Morris
678 700 38 09	1.00	CND	H	0.70	0.70	\$8.84	\$6.18	Dicarlo Nicole M
678 700 38 10	1.00	CND	H	0.70	0.70	\$8.84	\$6.18	Reyes Family Trust 04-20-04
678 700 38 11	1.00	CND	H	0.70	0.70	\$8.84	\$6.18	Ross Harvey D Jr&Ellen A
678 700 38 12	1.00	CND	H	0.70	0.70	\$8.84	\$6.18	Kim Peter Eung&Sarah
678 700 39 01	1.00	CND	H	0.70	0.70	\$8.84	\$6.18	Kim Young Jung&Soon Jeong
678 700 39 02	1.00	CND	H	0.70	0.70	\$8.84	\$6.18	Choi T K Trust 10-03-19
678 700 39 03	1.00	CND	H	0.70	0.70	\$8.84	\$6.18	Unni Aditya
678 700 39 04	1.00	CND	H	0.70	0.70	\$8.84	\$6.18	Etessami Farshad S&Jaynalene W
678 700 39 05	1.00	CND	H	0.70	0.70	\$8.84	\$6.18	Chadive Raghavender R&Matta Divya
678 700 39 06	1.00	CND	H	0.70	0.70	\$8.84	\$6.18	Rush Family Trust 06-12-96
678 700 39 07	1.00	CND	H	0.70	0.70	\$8.84	\$6.18	Kelso John M Living Trust 01-27-09
678 700 39 08	1.00	CND	H	0.70	0.70	\$8.84	\$6.18	Knable Ellen S Trust 02-17-95
678 700 39 09	1.00	CND	H	0.70	0.70	\$8.84	\$6.18	Rameshbabu Balasubramanian&Narayanan Shreenitha
678 700 39 10	1.00	CND	H	0.70	0.70	\$8.84	\$6.18	Jafri Sameer U&Allawala Samrena Y
678 700 39 11	1.00	CND	H	0.70	0.70	\$8.84	\$6.18	Zou Siqi

EXHIBIT C - Assessment Roll (Fiscal Year 2024)

Black Mountain Ranch North Maintenance Assessment District

Parcel Number	Acres/ Units ⁽¹⁾	Land Use Code ⁽²⁾	Zone	Land Use Factor ⁽²⁾	Total EBUs	Unit Cost (\$/EBU)	FY 2024 ⁽³⁾ Assessment	Owner Name
678 700 39 12	1.00	CND	H	0.70	0.70	\$8.84	\$6.18	Abbate Diego W
678 700 40 00	0.20	OSP	H	0.00	0.00	\$8.84	\$0.00	Calatlantic Group Inc
678 701 01 00	1.20	STR	H	0.00	0.00	\$8.84	\$0.00	Veridian Community Association
678 701 02 00	28.11	OSP	H	0.00	0.00	\$8.84	\$0.00	Calatlantic Group Inc
678 701 03 00	17.22	OSP	H	0.00	0.00	\$8.84	\$0.00	Calatlantic Group Inc
TOTAL	-	-	-	-	5,152.57	-	\$102,300	

⁽¹⁾ Applicable units (acres or dwelling units) dependent upon Land Use Code.

⁽²⁾ Refer to Assessment Engineer's Report for descriptions of Land Use Code and Land Use Factor.

⁽³⁾ FY 2024 is the City's Fiscal Year 2024, which begins July 1, 2023 and ends June 30, 2024.