

City of San Diego

CONTRACTOR'S NAME: _____
ADDRESS: _____
TELEPHONE NO.: _____ FAX NO.: _____
CITY CONTACT: Damian Singleton, Contract Specialist, Email: Dsingleton@sandiego.gov
Phone No. (619) 533-3482, Fax No. (619) 533-3633
J Grani/B Doringo/LJI

CONTRACT DOCUMENTS



FOR

Los Penasquitos / Black Mountain Ranger Station

VOLUME 1 OF 2

BID NO.: _____ **K-15-1234-DBB-3**
SAP NO. (WBS/IO/CC): _____ **B-00619**
CLIENT DEPARTMENT: _____ **1714**
COUNCIL DISTRICT: _____ **6**
PROJECT TYPE: _____ **BS**

THIS CONTRACT IS SUBJECT TO THE FOLLOWING:

- THE CITY'S SUBCONTRACTING PARTICIPATION REQUIREMENTS FOR SLBE PROGRAM.
- PREVAILING WAGE RATES: STATE FEDERAL
- APPRENTICESHIP

BID DUE DATE:

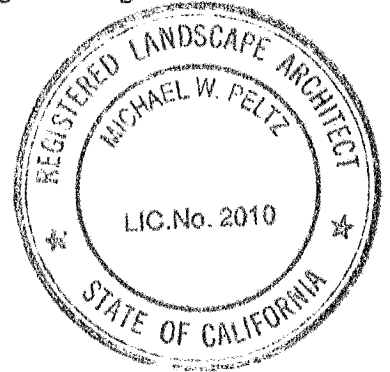
**2:00 PM
OCTOBER 21, 2014
CITY OF SAN DIEGO
PUBLIC WORKS CONTRACTS
1010 SECOND AVENUE, 14th FLOOR, MS 614C
SAN DIEGO, CA 92101**

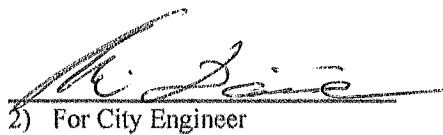
ENGINEER OF WORK

The engineering Specifications and Special Provisions contained herein have been prepared by or under the direction of the following Registered Landscape Architect and Registered Engineer:


1) Registered Landscape Architect

9.8.14 Seal:
Date




2) For City Engineer

9/8/14 Seal
Date



TABLE OF CONTENTS

DESCRIPTION	PAGE NUMBER
1. NOTICE INVITING BIDS.....	4
2. CONTRACT FORMS	17
3. CONTRACT FORMS ATTACHMENTS:	
1. Performance Bond and Labor and Materialmen’s Bond	20
2. Drug-Free Workplace.....	22
3. American with Disabilities Act (ADA) Compliance Certification	23
4. Contractor Standards - Pledge of Compliance Certificate	24
5. Affidavit of Disposal Certificate	25
4. ATTACHMENTS:	
A. SCOPE OF WORK	27
B. INTENTIONALLY LEFT BLANK.....	29
C. EQUAL OPPORTUNITY CONTRACTING PROGRAM	30
D. INTENTIONALLY LEFT BLANK.....	34
E. SUPPLEMENTARY SPECIAL PROVISIONS	35
TECHNICALS	52
SUPPLEMENTARY SPECIAL PROVISIONS APPENDICES	67
1. Appendix A - Site Development Permit 715163.....	68
2. Appendix B - SDG&E Permitted Work	86
3. Appendix C - Materials Typically Accepted by Certificate of Compliance	126
4. Appendix D - Fire Hydrant Meter Program	128
5. Appendix E - Sample City Invoice.....	142
6. Appendix F - Location Map	144
7. Appendix G - Adjacent Projects.....	146
F. INTENTIONALLY LEFT BLANK.....	148

CITY OF SAN DIEGO, CALIFORNIA

NOTICE INVITING BIDS

1. **RECEIPT AND OPENING OF BIDS:** Bids will be received at the Public Works Contracts at the location, time, and date shown on the cover of these specifications for performing work on **Los Penasquitos / Black Mountain Ranger Station** (Project).
2. **SUMMARY OF WORK:** The Work involves furnishing all labor, materials, equipment, services, and other incidental works and appurtenances for the construction of the Project as described in ATTACHMENT A.
3. **BIDS ARE PUBLIC RECORDS:** Upon receipt by the City, Bids shall become public records subject to public disclosure. It is the responsibility of the respondent to clearly identify any confidential, proprietary, trade secret or otherwise legally privileged information contained within the Bid. General references to sections of the California Public Records Act (PRA) will not suffice. If the Contractor does not provide applicable case law that clearly establishes that the requested information is exempt from the disclosure requirements of the PRA, the City shall be free to release the information when required in accordance with the PRA, pursuant to any other applicable law, or by order of any court or government agency, and the Contractor will hold the City harmless for release of this information.
4. **SUBCONTRACTING PARTICIPATION PERCENTAGES:**
 - 4.1. The City has incorporated **mandatory** SLBE-ELBE subcontractor participation percentages to enhance competition and maximize subcontracting opportunities. For the purpose of achieving the mandatory subcontractor participation percentages, a recommended breakdown of the SLBE and ELBE subcontractor participation percentages based upon certified SLBE and ELBE firms has also been provided to achieve the mandatory subcontractor participation percentages:

1. SLBE participation	3.5%
2. ELBE participation	10.9%
3. Total mandatory participation	14.4%
 - 4.2. The Bidders are strongly encouraged to attend the Pre-Bid Meeting to better understand the Good Faith Effort requirements of this contract. See the City's document titled "SLBE Program, Instructions For Bidders Completing The Good Faith Effort Submittal" available at: <http://www.sandiego.gov/eoc/>
 - 4.3. The Bid will be declared **non-responsive** if the Bidder fails the following mandatory conditions:
 - 4.3.1. Bidder's inclusion of SLBE-ELBE certified subcontractors at the overall mandatory participation percentage identified in this document; OR.
 - 4.3.2. Bidder's submission of Good Faith Effort documentation, saved in searchable Portable Document Format (PDF) and stored on Compact Disc (CD) or Digital Video Disc (DVD), demonstrating the Bidder made a good

faith effort to outreach to and include SLBE-ELBE Subcontractors required in this document within **3 Working Days** of the Bid opening if the overall mandatory participation percentage is not met.

- 4.4. For additional Equal Opportunity Contracting Program requirements, see Attachment C.
5. **PRE-BID MEETING:**
 - 5.1. There will be a Pre-Bid Meeting to discuss the scope of the Project, bidding requirements, pre-qualification process, and Equal Opportunity Contracting Program requirements and reporting procedures in the Public Works Contracts, Conference Room at 1010 Second Avenue, 14th Floor, San Diego, CA 92101 **at 10:00 A.M., on October 1, 2014.**
 - 5.2. All potential bidders are encouraged to attend.
 - 5.3. To request a copy of the agenda on an alternative format, or to request a sign language or oral interpreter for this meeting, call the Public Works Contracts at (619) 533-3450 at least 5 Working Days prior to the Pre-Bid Meeting to ensure availability.
6. **CONTRACTOR REGISTRATION AND ELECTRONIC REPORTING SYSTEM:**
 - 6.1. **Prior** to the Award of the Contract or each Task Order, you and your Subcontractors and Suppliers must register with the City's web-based contract compliance website, Prism®, located here:

<https://pro.prismcompliance.com/default.aspx>.
 - 6.2. The City may not award the contract until registration of all subcontractors and suppliers is complete. In the event this requirement is not met within the time frame specified in the Notice of Intent to Award letter, the City reserves the right to rescind the Notice of Award / Intent to Award and to make the award to the next responsive and responsible bidder / proposer.
7. **JOINT VENTURE CONTRACTORS:** Provide a copy of the Joint Venture agreement and the Joint Venture license to the City within 10 Working Days after receiving the Contract forms. See 2-1.1.2, "Joint Venture Contractors" in The WHITEBOOK for details.
8. **PREVAILING WAGE RATES:** Pursuant to San Diego Municipal Code section 22.3019, construction, alteration, demolition, repair and maintenance work performed under this Contract is subject to State prevailing wage laws. For construction work performed under this Contract cumulatively exceeding \$25,000 and for alteration, demolition, repair and maintenance work performed under this Contract cumulatively exceeding \$15,000, the Contractor and its subcontractors shall comply with State prevailing wage laws including, but not limited to, the requirements listed below.
 - 8.1. **Compliance with Prevailing Wage Requirements.** Pursuant to sections 1720 through 1861 of the California Labor Code, the Contractor and its subcontractors shall ensure that all workers who perform work under this Contract are paid not less than the prevailing rate of per diem wages as determined by the Director of the California

Department of Industrial Relations (DIR). This includes work performed during the design and preconstruction phases of construction including, but not limited to, inspection and land surveying work.

- 8.2.** Copies of such prevailing rate of per diem wages are on file at the City and are available for inspection to any interested party on request. Copies of the prevailing rate of per diem wages also may be found at <http://www.dir.ca.gov/OPRL/DPreWageDetermination.htm>. Contractor and its subcontractors shall post a copy of the prevailing rate of per diem wages determination at each job site and shall make them available to any interested party upon request.
- 8.3.** The wage rates determined by the DIR refer to expiration dates. If the published wage rate does not refer to a predetermined wage rate to be paid after the expiration date, then the published rate of wage shall be in effect for the life of this Contract. If the published wage rate refers to a predetermined wage rate to become effective upon expiration of the published wage rate and the predetermined wage rate is on file with the DIR, such predetermined wage rate shall become effective on the date following the expiration date and shall apply to this Contract in the same manner as if it had been published in said publication. If the predetermined wage rate refers to one or more additional expiration dates with additional predetermined wage rates, which expiration dates occur during the life of this Contract, each successive predetermined wage rate shall apply to this Contract on the date following the expiration date of the previous wage rate. If the last of such predetermined wage rates expires during the life of this Contract, such wage rate shall apply to the balance of the Contract.
- 8.4. Penalties for Violations.** Contractor and its subcontractors shall comply with California Labor Code section 1775 in the event a worker is paid less than the prevailing wage rate for the work or craft in which the worker is employed.
- 8.5. Payroll Records.** Contractor and its subcontractors shall comply with California Labor Code section 1776, which generally requires keeping accurate payroll records, verifying and certifying payroll records, and making them available for inspection. Contractor shall require its subcontractors to also comply with section 1776. Contractor and its subcontractors shall submit weekly certified payroll records online via the City's web-based Labor Compliance Program. Contractor is responsible for ensuring its subcontractors submit certified payroll records to the City.
- 8.6. Apprentices.** Contractor and its subcontractors shall comply with California Labor Code sections 1777.5, 1777.6 and 1777.7 concerning the employment and wages of apprentices. Contractor shall be held responsible for the compliance of their subcontractors with sections 1777.5, 1777.6 and 1777.7.
- 8.7. Working Hours.** Contractor and subcontractors shall comply with California Labor Code sections 1810 through 1815, including but not limited to: (i) restrict working hours on public works contracts to eight hours a day and forty hours a week, unless all hours worked in excess of 8 hours per day are compensated at not less than 1½ times the basic rate of pay; and (ii) specify penalties to be imposed on design professionals and subcontractors of \$25 per worker per day for each day the worker works more than 8 hours per day and 40 hours per week in violation of California Labor Code sections 1810 through 1815.

- 8.8. Required Provisions for Subcontracts.** Contractor shall include at a minimum a copy of the following provisions in any contract they enter into with a subcontractor: California Labor Code sections 1771, 1775, 1776, 1777.5, 1810, 1813, 1815, 1860 and 1861.
- 8.9. Labor Code Section 1861 Certification.** Contractor in accordance with California Labor Code section 3700 is required to secure the payment of compensation of its employees and by signing this Contract, Contractor certifies that “I am aware of the provisions of Section 3700 of the California Labor Code which require every employer to be insured against liability for workers’ compensation or to undertake self-insurance in accordance with the provisions of that code, and I will comply with such provisions before commencing the performance of the work of this Contract.”
- 8.10. Labor Compliance Program.** The City has its own Labor Compliance Program as authorized by the DIR. The City will withhold contract payments when payroll records are delinquent or deemed inadequate by the City or other governmental entity, or it has been established after an investigation by the City or other governmental entity that underpayment(s) have occurred.

9. INSURANCE REQUIREMENTS:

- 9.1.** All certificates of insurance and endorsements required by the contract are to be provided upon issuance of the City’s Notice of Intent to Award letter.
- 9.2.** Refer to sections 7-3, “LIABILITY INSURANCE”, and 7-4, “WORKERS’ COMPENSATION INSURANCE” of the Supplementary Special Provisions (SSP) for the insurance requirements which must be met.

10. PREQUALIFICATION OF CONTRACTORS:

- 10.1.** Contractors submitting Bid must be pre-qualified for the total amount proposed, inclusive of all alternate items prior to the date of submittal. Bids from contractors who have not been pre-qualified as applicable and Bids that exceed the maximum dollar amount at which contractors are pre-qualified will be deemed **non-responsive** and ineligible for award. Complete information and prequalification questionnaires are available at:

<http://www.sandiego.gov/cip/bidopps/prequalification.shtml>

- 10.2.** The completed questionnaire, financial statement, and bond letter or a copy of the contractor’s SLBE-ELBE certification and bond letter, must be submitted no later than 2 weeks prior to the bid opening to the Public Works Contracts, Prequalification Program, 1010 Second Avenue, 14th Floor, San Diego, CA 92101. For additional information or the answer to questions about the prequalification program, contact David Stucky at 619-533-3474 or dstucky@sandiego.gov.

- 11. REFERENCE STANDARDS:** Except as otherwise noted or specified, the Work shall be completed in accordance with the following standards:

Title	Edition	Document Number
Standard Specifications for Public Works Construction (“The GREENBOOK”)	2012	PITS070112-01
City of San Diego Standard Specifications for Public Works Construction (“The WHITEBOOK”)*	2012	PITS070112-02
City of San Diego Standard Drawings*	2012	PITS070112-03
Caltrans Standard Specifications	2010	PITS070112-04
Caltrans Standard Plans	2010	PITS070112-05
California MUTCD	2012	PITS070112-06
City Standard Drawings - Updates Approved For Use (when specified)*	Varies	Varies
Standard Federal Equal Employment Opportunity Construction Contract Specifications and the Equal Opportunity Clause Dated 09-11-84	1984	769023
NOTE: *Available online under Engineering Documents and References at: http://www.sandiego.gov/publicworks/edocref/index.shtml		

- 12. CITY’S RESPONSES AND ADDENDA:** The City at its option, may respond to any or all questions submitted in writing, via letter, or FAX in the form of an addendum. No oral comment shall be of any force or effect with respect to this solicitation. The changes to the Contract Documents through addendum are made effective as though originally issued with the Bid. The Bidders shall acknowledge the receipt of Addenda on the form provided for this purpose in the Bid.
- 13. CITY’S RIGHTS RESERVED:** The City reserves the right to cancel the Notice Inviting Bids at any time, and further reserves the right to reject submitted Bids, without giving any reason for such action, at its sole discretion and without liability. Costs incurred by the Bidder(s) as a result of preparing Bids under the Notice Inviting Bids shall be the sole responsibility of each bidder. The Notice Inviting Bids creates or imposes no obligation upon the City to enter a contract.
- 14. CONTRACT PRICING FORMAT:** This solicitation is for a Lump Sum contract with Unit Price provisions as set forth in the Bid Proposal Form(s), Volume 2.
- 15. SUBMITTAL OF “OR EQUAL” ITEMS:** See Section 4-1.6, “Trade Names or Equals” in The WHITEBOOK and as amended in the SSP.
- 16. AWARD PROCESS:**
- 16.1.** The Award of this contract is contingent upon the Contractor’s compliance with all conditions precedent to Award.
- 16.2.** Upon acceptance of a Bid, the City will prepare contract documents for execution within approximately 21 days of the date of the Bid opening and award the Contract approximately within 7 days of receipt of properly executed Contract, bonds, and insurance documents.

- 16.3.** This contract will be deemed executed, and effective, only upon the signing of the Contract by the Mayor or designee of the City.
- 17. SUBCONTRACT LIMITATIONS:** The Bidder's attention is directed to Standard Specifications for Public Works Construction, Section 2-3, "SUBCONTRACTS" in The GREENBOOK and as amended in the SSP which requires the Contractor to self-perform not less than the specified amount. Failure to comply with this requirement shall render the bid **non-responsive** and ineligible for award.
- 18. AVAILABILITY OF PLANS AND SPECIFICATIONS:** Contract Documents may be obtained by visiting the City's website: <http://www.sandiego.gov/cip/>. Plans and Specifications for this contract are also available for review in the office of the City Clerk or Public Works Contracts.
- 19. SUBMISSION OF QUESTIONS:**
- 19.1.** The Director (or designee), of the Public Works Department is the officer responsible for opening, examining, and evaluating the competitive Bids submitted to the City for the acquisition, construction and completion of any public improvement except when otherwise set forth in these documents. All questions related to this solicitation shall be submitted to:
- Public Works Contracts
1010 Second Avenue, 14th Floor
San Diego, California, 92101
Attention: [Contract Specialist listed on the front cover hereof]
- OR:
- Email address of the Contract Specialist listed on the front cover hereof.
- 19.2.** Questions received less than 14 days prior to the date for opening of Bids may not be considered.
- 19.3.** Clarifications deemed by the City to be material shall be issued by Addenda and uploaded to the City's online bidding service.
- 19.4.** Only questions answered by formal written addenda will be binding. Oral and other interpretations or clarifications will be without legal effect. It is the Bidder's responsibility to become informed of any Addenda that have been issued and to include all such information in its Bid.
- 20. ELIGIBLE BIDDERS:** No person, firm, or corporation shall be allowed to make, file, or be interested in more than one (1) Bid for the same work unless alternate Bids are called for. A person, firm or corporation who has submitted a sub-proposal to a Bidder, or who has quoted prices on materials to a Bidder, is not hereby disqualified from submitting a sub-proposal or quoting prices to other Bidders or from submitting a Bid in its own behalf. Any Bidder who submits more than one bid will result in the rejection of all bids submitted.

- 21. SAN DIEGO BUSINESS TAX CERTIFICATE:** The Contractor and Subcontractors, not already having a City of San Diego Business Tax Certificate for the work contemplated shall secure the appropriate certificate from the City Treasurer, Civic Center Plaza, first floor and submit to the Contract Specialist upon request or as specified in the Contract Documents. Tax Identification numbers for both the Bidder and the listed Subcontractors must be submitted on the City provided forms with the Notice Inviting Bids and Contract forms.
- 22. PROPOSAL FORMS:** Bid shall be made only upon the Bidding Documents i.e., Proposal form attached to and forming a part of the specifications. The signature of each person signing shall be in longhand.
- 22.1.** Bidder shall complete and submit all pages in the "Bidding Document" Section (see Volume 2) as their Bid per the schedule given under "Required Documents Schedule," (see Volume 1). Bidder is requested to retain for their reference other portions of the Contract Documents that are not required to be submitted with the Bid. The entire specifications for the bid package do not need to be submitted with the bid.
- 22.2.** The City may require any Bidder to furnish a statement of experience, financial responsibility, technical ability, equipment, and references.
- 22.3.** Bids and certain other forms and documents as specified in the Volume 2 of 2 of the Contract Documents shall be enclosed in a sealed envelope and shall bear the title of the work and name of the Bidder and the appropriate State Contractors License designation which the Bidder holds.
- 22.4.** Bids may be withdrawn by the Bidder prior to, but not after, the time fixed for opening of Bids.
- 23. BIDDER'S GUARANTEE OF GOOD FAITH (BID SECURITY):**
- 23.1.** With the exception of the contracts valued \$5,000 or less, JOC and Design-Build contracts, and contracts subject to the Small and Local Business Program of \$250,000 or less e.g., ELBE contracts, each Bidder shall accompany its Bid with either a cashier's check upon some responsible bank, or a check upon such bank properly certified or an approved corporate surety bond payable to the City of San Diego, for an amount of not less than 10% of the aggregate sum of the Bid, which check or bond, and the monies represented thereby shall be held by the City as a guarantee that the Bidder, if awarded the contract, will in good faith enter into such contract and furnish the required final bonds.
- 23.2.** The Bidder agrees that in case of Bidder's refusal or failure to execute this contract and give required final bonds, the money represented by a cashier's or certified check shall remain the property of the City, and if the Bidder shall fail to execute this contract, the Surety agrees that it will pay to the City damages which the City may suffer by reason of such failure, not exceeding the sum of 10% of the amount of the Bid.
- 23.3.** A Bid received without the specified bid security will be rejected as being **non-responsive**.

24. AWARD OF CONTRACT OR REJECTION OF BIDS:

- 24.1.** This contract may be awarded to the lowest responsible and reliable Bidder.
- 24.2.** Bidders shall complete the entire Bid schedule (also referred to as “schedule of prices” or Proposal form). Incomplete price schedules will be rejected as being non-responsive.
- 24.3.** The City reserves the right to reject any or all Bids, and to waive any informality or technicality in Bids received and any requirements of these specifications as to bidding procedure.
- 24.4.** Bidders will not be released on account of their errors of judgment. Bidders may be released only upon receipt by the City from the Bidder within 3 Working Days, excluding Saturdays, Sundays, and state holidays, after the opening of Bids, of written notice which includes proof of honest, credible, clerical error of material nature, free from fraud or fraudulent intent, and of evidence that reasonable care was observed in the preparation of the Bid.
- 24.5.** A non-selected Bidder may protest award of the Contract to the selected Bidder by submitting a written “Notice of Intent to Protest” including supporting documentation which shall be received by Public Works Contracts no later than 10 days after the City’s announcement of the selected Bidder or no later than 10 days from the date that the City issues notice of designation of a Bidder as non-responsive in accordance with San Diego Municipal Code Chapter 2, § 22.3029, “Protests of Contract Award.”
- 24.6.** The City of San Diego will not discriminate with regard to race, religious creed, color, national origin, ancestry, physical handicap, marital status, sex or age, in the award of contracts.
- 24.7.** Each Bid package properly executed as required by these specifications shall constitute a firm offer, which may be accepted by the City within the time specified in the Proposal.
- 24.8.** The City reserves the right to evaluate all Bids and determine the lowest Bidder on the basis of any proposed alternates, additive items or options, at its discretion that will be disclosed in the Volume 2 of 2.

25. BID RESULTS:

- 25.1.** The Bid opening by the City shall constitute the public announcement of the Apparent Low Bidder. In the event that the Apparent Low Bidder is subsequently deemed non-responsive or non-responsible, a public announcement will be posted in the City’s web page <http://www.sandiego.gov/cip/index.shtml>, with the name of the newly designated Apparent Low Bidder.
- 25.2.** To obtain Bid results, either attend Bid opening, review the results on the City’s web site, or provide a self-addressed, stamped envelope, referencing Bid number, and Bid tabulation will be mailed to you upon verification of extensions. Bid results cannot be given over the telephone.

26. THE CONTRACT:

- 26.1.** The Bidder to whom award is made shall execute a written contract with the City of San Diego and furnish good and approved bonds and insurance certificates specified by the City within 14 days after receipt by Bidder of a form of contract for execution unless an extension of time is granted to the Bidder in writing.
- 26.2.** If the Bidder takes longer than 14 days to fulfill these requirements, then the additional time taken shall be added to the Bid guarantee. The Contract shall be made in the form adopted by the City, which includes the provision that no claim or suit whatsoever shall be made or brought by Contractor against any officer, agent, or employee of the City for or on account of anything done or omitted to be done in connection with this contract, nor shall any such officer, agent, or employee be liable hereunder.
- 26.3.** If the Bidder to whom the award is made fails to enter into the contract as herein provided, the award may be annulled and the Bidder's Guarantee of Good Faith will be subject to forfeiture. An award may be made to the next lowest responsible and reliable Bidder who shall fulfill every stipulation embraced herein as if it were the party to whom the first award was made.
- 26.4.** Pursuant to the San Diego City Charter section 94, the City may only award a public works contract to the lowest responsible and reliable Bidder. The City will require the Apparent Low Bidder to (i) submit information to determine the Bidder's responsibility and reliability, (ii) execute the Contract in form provided by the City, and (iii) furnish good and approved bonds and insurance certificates specified by the City within 14 Days, unless otherwise approved by the City, in writing after the Bidder receives notification from the City, designating the Bidder as the Apparent Low Bidder and formally requesting the above mentioned items.
- 26.5.** The award of the Contract is contingent upon the satisfactory completion of the above mentioned items and becomes effective upon the signing of the Contract by the Mayor or designee. If the Apparent Low Bidder does not execute the Contract or submit required documents and information, the City may award the Contract to the next lowest responsible and reliable Bidder who shall fulfill every condition precedent to award. A corporation designated as the Apparent Low Bidder shall furnish evidence of its corporate existence and evidence that the officer signing the Contract and bond for the corporation is duly authorized to do so.

27. EXAMINATION OF PLANS, SPECIFICATIONS, AND SITE OF WORK: The Bidder shall examine carefully the Project Site, the Plans and Specifications, and other materials as described in the Special Provisions, Section 2-7, and the proposal forms (e.g., Bidding Documents). The submission of a Bid shall be conclusive evidence that the Bidder has investigated and is satisfied as to the conditions to be encountered, as to the character, quality, and scope of Work, the quantities of materials to be furnished, and as to the requirements of the Bidding Documents Proposal, Plans, and Specifications.

28. CITY STANDARD PROVISIONS: This contract is subject to the following standard provisions. See The WHITEBOOK for details.

- 28.1.** The City of San Diego Resolution No. R-277952 adopted on May 20, 1991 for a Drug-Free Workplace.

- 28.2.** The City of San Diego Resolution No. R-282153 adopted on June 14, 1993 related to the Americans with Disabilities Act.
- 28.3.** The City of San Diego Municipal Code §22.3004 for Pledge of Compliance.
- 28.4.** The City of San Diego’s Labor Compliance Program and the State of California Labor Code §§1771.5(b) and 1776.
- 28.5.** Sections 1777.5, 1777.6, and 1777.7 of the State of California Labor Code concerning the employment of apprentices by contractors and subcontractors performing public works contracts.
- 28.6.** The City’s Equal Benefits Ordinance (EBO), Chapter 2, Article 2, Division 43 of The San Diego Municipal Code (SDMC).
- 28.7.** The City’s Information Security Policy (ISP) as defined in the City’s Administrative Regulation 90.63.
- 29. PRE-AWARD ACTIVITIES:**
- 29.1.** The selected contractor by the City to execute a contract for this Work shall provide the information required within the time specified in “Required Documents,” of this bid package. Failure to provide the information within the time specified may result in the Bid being rejected as **non-responsive**.
- 29.2.** If the Bid is rejected as non-responsive, the selected contractor by the City to execute a contract for this Work shall forfeit the required Bid. The decision that the selected contractor by the City to execute a contract for this Work is non-responsive for failure to provide the information required within the time specified shall be at the sole discretion of the City.
- 30. ADDITIVE/DEDUCTIVE ALTERNATES:**
- 30.1.** The additive/deductive alternates have been established to allow the City to compare the cost of specific portions of the Work with the Project’s budget and enable the City to make decision prior to award. The award will be established as described in the Bid. The City reserves the right to award the Contract for the Base Bid only or the Base Bid plus any combination of Additive and Deductive Alternate(s).
- 30.2.** For water pipeline projects, the Plans typically show all cut and plug and connection work to be performed by City Forces. However, Bidders shall refer to Bidding Documents to see if all or part of this work will be performed by the Contractor.
- 31. REQUIRED DOCUMENT SCHEDULE:**
- 31.1.** The Bidder’s attention is directed to the City’s Municipal Code §22.0807(e), (3)-(5) for important information regarding grounds for debarment for failure to submit required documentation.

31.2. The specified Equal Opportunity Contracting Program (EOCP) forms are available for download from the City's web site at:

<http://www.sandiego.gov/eoc/forms/index.shtml>

ITEM	WHEN DUE	FROM	DOCUMENT TO BE SUBMITTED
1.	BID SUBMITTAL DATE/TIME	ALL BIDDERS	Bid
2.	BID SUBMITTAL DATE/TIME	ALL BIDDERS	Bid Bond
3.	BID SUBMITTAL DATE/TIME	ALL BIDDERS	Non-collusion Affidavit to be Executed By Bidder and Submitted with Bid under 23 USC 112 and PCC 7106
4.	BID SUBMITTAL DATE/TIME	ALL BIDDERS	Contractors Certification of Pending Actions
5.	BID SUBMITTAL DATE/TIME	ALL BIDDERS	Equal Benefits Ordinance Certification of Compliance
6.	BID SUBMITTAL DATE/TIME	ALL BIDDERS	Form AA35 - List of Subcontractors
7.	BID SUBMITTAL DATE/TIME	ALL BIDDERS	Form AA40 - Named Equipment/Material Supplier List
8.	BID SUBMITTAL DATE/TIME	ALL BIDDERS	Form AA45 - Subcontractors Additive/Deductive Alternate
9.	WITHIN 3 WORKING DAYS OF BID OPENING	ALL BIDDERS	SLBE Good Faith Efforts Documentation
10.	WITHIN 3 WORKING DAYS OF BID OPENING WITH GOOD FAITH EFFORT DOCUMENTATION	ALL BIDDERS	Form AA60 – List of Work Made Available
11.	WITHIN 3 WORKING DAYS OF BID OPENING WITH GOOD FAITH EFFORT DOCUMENTATION	ALL BIDDERS	Proof of Valid DBE-MBE-WBE-DVBE Certification Status e.g., Certs.
12.	PRIOR TO PRE-CONSTRUCTION MEETING	LOW BIDDER	Contractor's Experience and Past Project Documentation. See Section 700
13.	WITHIN 10 WORKING DAYS AFTER RECEIPT BY BIDDER OF CONTRACT FORMS	APPARENT LOW BIDDER	Names of the principal individual owners of the Apparent Low Bidder

ITEM	WHEN DUE	FROM	DOCUMENT TO BE SUBMITTED
14.	WITHIN 10 WORKING DAYS AFTER RECEIPT BY BIDDER OF CONTRACT FORMS	APPARENT LOW BIDDER	If the Contractor is a Joint Venture: <ul style="list-style-type: none"> • Joint Venture Agreement • Joint Venture License
15.	WITHIN 10 WORKING DAYS AFTER RECEIPT BY BIDDER OF CONTRACT FORMS	APPARENT LOW BIDDER	Form BB05 - Work Force Report
16.	WITHIN 10 WORKING DAYS AFTER RECEIPT BY BIDDER OF CONTRACT FORMS	APPARENT LOW BIDDER	Contract Forms - Agreement
17.	WITHIN 10 WORKING DAYS AFTER RECEIPT BY BIDDER OF CONTRACT FORMS	APPARENT LOW BIDDER	Contract Forms - Payment and Performance Bond
18.	WITHIN 10 WORKING DAYS AFTER RECEIPT BY BIDDER OF CONTRACT FORMS	APPARENT LOW BIDDER	Certificates of Insurance and Endorsements
19.	WITHIN 10 WORKING DAYS AFTER RECEIPT BY BIDDER OF CONTRACT FORMS	APPARENT LOW BIDDER	Contractor Certification - Drug-Free Workplace
20.	WITHIN 10 WORKING DAYS AFTER RECEIPT BY BIDDER OF CONTRACT FORMS	APPARENT LOW BIDDER	Contractor Certification - American with Disabilities Act
21.	WITHIN 10 WORKING DAYS AFTER RECEIPT BY BIDDER OF CONTRACT FORMS	APPARENT LOW BIDDER	Contractors Standards - Pledge of Compliance

CONTRACT FORMS
AGREEMENT

CONTRACT FORMS

CONSTRUCTION CONTRACT

This contract is made and entered into between THE CITY OF SAN DIEGO, a municipal corporation, herein called "City", and _____, herein called "Contractor" for construction of **Los Penasquitos / Black Mountain Ranger Station** Bid No. **K-15-1234-DBB-3** in the amount of _____ (\$ _____), which is comprised of the Base Bid plus/minus Additive/Deductive Alternates _____.

IN CONSIDERATION of the payments to be made hereunder and the mutual undertakings of the parties hereto, City and Contractor agree as follows:

1. The following are incorporated into this contract as though fully set forth herein:
 - (a) The attached Faithful Performance and Payment Bonds.
 - (b) The attached Proposal included in the Bid documents by the Contractor.
 - (c) Reference Standards listed in the Notice Inviting Bids and the Supplementary Special Provisions (SSP).
 - (d) That certain documents entitled **Los Penasquitos / Black Mountain Ranger Station** on file in the office of the Public Works Department as Document No. **B-00619** as well as all matters referenced therein.
2. The Contractor shall perform and be bound by all the terms and conditions of this contract and in strict conformity therewith shall perform and complete in a good and workmanlike manner **Los Penasquitos / Black Mountain Ranger Station**, Bid Number **K-15-1234-DBB-3**, San Diego, California.
3. For such performances, the City shall pay to Contractor the amounts set forth at the times and in the manner and with such additions or deductions as are provided for in this contract, and the Contractor shall accept such payment in full satisfaction of all claims incident to such performances.
4. No claim or suit whatsoever shall be made or brought by Contractor against any officer, agent, or employee of the City for or on account of anything done or omitted to be done in connection with this contract, nor shall any such officer, agent, or employee be liable hereunder.
5. This contract is effective as of the date that the Mayor or designee signs the agreement.

CONTRACT FORMS (continued)

IN WITNESS WHEREOF, this Agreement is signed by the City of San Diego, acting by and through its Mayor or designee, pursuant to Resolution No. R - _____ or Municipal Code _____ authorizing such execution.

THE CITY OF SAN DIEGO

APPROVED AS TO FORM AND LEGALITY

Jan I. Goldsmith, City Attorney

By _____

By _____

Print Name: _____
Mayor or designee

Print Name: _____
Deputy City Attorney

Date: _____

Date: _____

CONTRACTOR

By _____

Print Name: _____

Title: _____

Date: _____

City of San Diego License No.: _____

State Contractor's License No.: _____

CONTRACT FORMS
ATTACHMENTS

CONTRACT FORMS

CONSTRUCTION CONTRACT

This contract is made and entered into between THE CITY OF SAN DIEGO, a municipal corporation, herein called "City", and West Coast General Corporation, herein called "Contractor" for construction of Los Penasquitos / Black Mountain Ranger Station Bid No. K-15-1234-DBB-3 in the amount of ONE MILLION ONE HUNDRED FOURTY-TWO THOUSAND TWO HUNDRED THIRTY DOLLARS AND 00/100 (\$1,142,230.00), which is comprised of the Base Bid plus/minus Additive/Deductive Alternates A, B, C, D, E, F and G.

IN CONSIDERATION of the payments to be made hereunder and the mutual undertakings of the parties hereto, City and Contractor agree as follows:

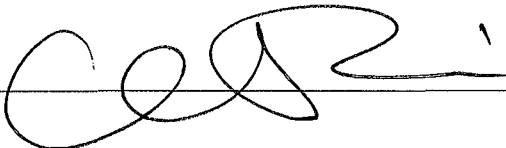
1. The following are incorporated into this contract as though fully set forth herein:
 - (a) The attached Faithful Performance and Payment Bonds.
 - (b) The attached Proposal included in the Bid documents by the Contractor.
 - (c) Reference Standards listed in the Notice Inviting Bids and the Supplementary Special Provisions (SSP).
 - (d) That certain documents entitled Los Penasquitos / Black Mountain Ranger Station on file in the office of the Public Works Department as Document No. B-00619 as well as all matters referenced therein.
2. The Contractor shall perform and be bound by all the terms and conditions of this contract and in strict conformity therewith shall perform and complete in a good and workmanlike manner Los Penasquitos / Black Mountain Ranger Station, Bid Number K-15-1234-DBB-3, San Diego, California.
3. For such performances, the City shall pay to Contractor the amounts set forth at the times and in the manner and with such additions or deductions as are provided for in this contract, and the Contractor shall accept such payment in full satisfaction of all claims incident to such performances.
4. No claim or suit whatsoever shall be made or brought by Contractor against any officer, agent, or employee of the City for or on account of anything done or omitted to be done in connection with this contract, nor shall any such officer, agent, or employee be liable hereunder.
5. This contract is effective as of the date that the Mayor or designee signs the agreement.

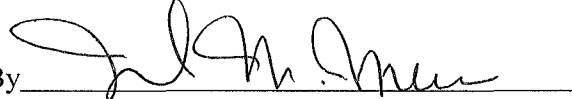
CONTRACT FORMS (continued)

IN WITNESS WHEREOF, this Agreement is signed by the City of San Diego, acting by and through its Mayor or designee, pursuant to Municipal Code §22.3102 authorizing such execution.

THE CITY OF SAN DIEGO

APPROVED AS TO FORM AND LEGALITY

By 

By 

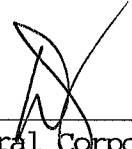
Print Name: _____
Downs Prior
Principal Contract Specialist

Print Name: Mark M. Moore
Deputy City Attorney

Date: 1/6/15

Date: 1/7/15

CONTRACTOR

By 
West Coast General Corporation

Print Name: David E. Davey

Title: President

Date: 11/10/14

City of San Diego License No.: B1992002309

State Contractor's License No.: 479019

CONTRACT FORMS
ATTACHMENTS

CONTRACT FORMS ATTACHMENTS
PERFORMANCE BOND AND LABOR AND MATERIALMEN'S BOND

FAITHFUL PERFORMANCE BOND AND LABOR AND MATERIALMEN'S BOND:

West Coast General Corporation, a corporation, as principal, and Fidelity and Deposit Company of Maryland, a corporation authorized to do business in the State of California, as Surety, hereby obligate themselves, their successors and assigns, jointly and severally, to The City of San Diego a municipal corporation in the sum of ONE MILLION ONE HUNDRED FORTY-TWO THOUSAND TWO HUNDRED THIRTY DOLLARS AND 00/100 (\$1,142,230.00) for the faithful performance of the annexed contract, and in the sum of ONE MILLION ONE HUNDRED FORTY-TWO THOUSAND TWO HUNDRED THIRTY DOLLARS AND 00/100 (\$1,142,230.00) for the benefit of laborers and materialmen designated below.

Conditions:

If the Principal shall faithfully perform the annexed contract **Los Penasquitos / Black Mountain Ranger Station**, Bid Number **K-15-1234-DBB-3**, San Diego, California then the obligation herein with respect to a faithful performance shall be void; otherwise it shall remain in full force.

If the Principal shall promptly pay all persons, firms and corporations furnishing materials for or performing labor in the execution of this contract, and shall pay all amounts due under the California Unemployment Insurance Act then the obligation herein with respect to laborers and materialmen shall be void; otherwise it shall remain in full force.

The obligation herein with respect to laborers and materialmen shall inure to the benefit of all persons, firms and corporations entitled to file claims under the provisions of Chapter 3 of Division 5 of Title I of the Government Code of the State of California or under the provisions of Section 3082 et seq. of the Civil Code of the State of California.

Changes in the terms of the annexed contract or specifications accompanying same or referred to therein shall not affect the Surety's obligation on this bond, and the Surety hereby waives notice of same.

CONTRACT FORMS ATTACHMENTS (continued)
PERFORMANCE BOND AND LABOR AND MATERIALMEN'S BOND

The Surety shall pay reasonable attorney's fees should suit be brought to enforce the provisions of this bond.

Dated November 4, 2013

Approved as to Form and Legality

West Coast General Corporation

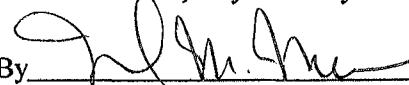
Principal

By  _____

David E. Davey, President

Printed Name of Person Signing for Principal

Jan I. Goldsmith, City Attorney

By  _____
Deputy City Attorney

Fidelity and Deposit Company of Maryland
Surety

By Aidan Smock Aidan Smock
Attorney-in-fact

Approved:

By  _____
Downs Prior
Principal Contract Specialist

777 South Figueroa Street, Suite 3900
Local Address of Surety

Los Angeles, CA 90017
Local Address (City, State) of Surety

(213) 270-0715
Local Telephone No. of Surety

Premium \$ 9,563.00

Bond No. 7642589

1/6/15

**ZURICH AMERICAN INSURANCE COMPANY
COLONIAL AMERICAN CASUALTY AND SURETY COMPANY
FIDELITY AND DEPOSIT COMPANY OF MARYLAND
POWER OF ATTORNEY**

KNOW ALL MEN BY THESE PRESENTS: That the ZURICH AMERICAN INSURANCE COMPANY, a corporation of the State of New York, the COLONIAL AMERICAN CASUALTY AND SURETY COMPANY, a corporation of the State of Maryland, and the FIDELITY AND DEPOSIT COMPANY OF MARYLAND a corporation of the State of Maryland (herein collectively called the "Companies"), by **THOMAS O. MCCLELLAN, Vice President**, in pursuance of authority granted by Article V, Section 8, of the By-Laws of said Companies, which are set forth on the reverse side hereof and are hereby certified to be in full force and effect on the date hereof, do hereby nominate, constitute, and appoint **Richard HALLETT, Aidan SMOCK, Tim MCCLELLAN and Marta COLLETT, all of San Diego, California, EACH** its true and lawful agent and Attorney-in-Fact, to make, execute, seal and deliver, for, and on its behalf as surety, and as its act and deed: **any and all bonds and undertakings**, and the execution of such bonds or undertakings in pursuance of these presents, shall be as binding upon said Companies, as fully and amply, to all intents and purposes, as if they had been duly executed and acknowledged by the regularly elected officers of the ZURICH AMERICAN INSURANCE COMPANY at its office in New York, New York., the regularly elected officers of the COLONIAL AMERICAN CASUALTY AND SURETY COMPANY at its office in Owings Mills, Maryland., and the regularly elected officers of the FIDELITY AND DEPOSIT COMPANY OF MARYLAND at its office in Owings Mills, Maryland., in their own proper persons.

The said Vice President does hereby certify that the extract set forth on the reverse side hereof is a true copy of Article V, Section 8, of the By-Laws of said Companies, and is now in force.

IN WITNESS WHEREOF, the said Vice-President has hereunto subscribed his/her names and affixed the Corporate Seals of the said **ZURICH AMERICAN INSURANCE COMPANY, COLONIAL AMERICAN CASUALTY AND SURETY COMPANY, and FIDELITY AND DEPOSIT COMPANY OF MARYLAND**, this 3rd day of January, A.D. 2014.

ATTEST:

**ZURICH AMERICAN INSURANCE COMPANY
COLONIAL AMERICAN CASUALTY AND SURETY COMPANY
FIDELITY AND DEPOSIT COMPANY OF MARYLAND**



By: *Eric D. Barnes*
Assistant Secretary
Eric D. Barnes

Thomas O. McClellan
Vice President
Thomas O. McClellan

State of Maryland
City of Baltimore

On this 3rd day of January, A.D. 2014, before the subscriber, a Notary Public of the State of Maryland, duly commissioned and qualified, **THOMAS O. MCCLELLAN, Vice President, and ERIC D. BARNES, Assistant Secretary**, of the Companies, to me personally known to be the individuals and officers described in and who executed the preceding instrument, and acknowledged the execution of same, and being by me duly sworn, deposeth and saith, that he/she is the said officer of the Company aforesaid, and that the seals affixed to the preceding instrument are the Corporate Seals of said Companies, and that the said Corporate Seals and the signature as such officer were duly affixed and subscribed to the said instrument by the authority and direction of the said Corporations.

IN TESTIMONY WHEREOF, I have hereunto set my hand and affixed my Official Seal the day and year first above written.

Constance A. Dunn



Constance A. Dunn, Notary Public
My Commission Expires: July 14, 2015

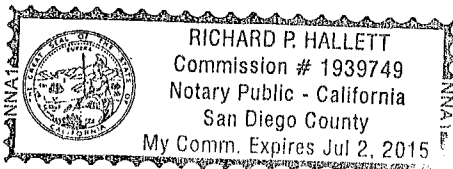
CALIFORNIA ALL-PURPOSE ACKNOWLEDGMENT

STATE OF CALIFORNIA

County of San Diego }

On NOV 04 2014 before me, Richard P. Hallett, Notary Public
Date Here Insert Name and Title of the Officer

personally appeared Aidan Smock
Name(s) of Signer(s)



Place Notary Seal Above

who proved to me on the basis of satisfactory evidence to be the person(s) whose name(s) is/~~are~~ subscribed to the within instrument and acknowledged to me that ~~he~~/she/~~they~~ executed the same in ~~his~~/her/~~their~~ authorized capacity(~~ies~~), and that by ~~his~~/her/~~their~~ signature(s) on the instrument the person(s), or the entity upon behalf of which the person(s) acted, executed the instrument.

I certify under PENALTY OF PERJURY under the laws of the State of California that the foregoing paragraph is true and correct.

Witness my hand and official seal.

Signature [Signature]
Signature of Notary Public

OPTIONAL

Though the information below is not required by law, it may prove valuable to persons relying on the document and could prevent fraudulent removal and reattachment of this form to another document.

Description of Attached Document

Title or Type of Document: _____

Document Date: _____ Number of Pages: _____

Signer(s) Other Than Named Above: _____

Capacity(ies) Claimed by Signer(s)

Signer's Name: _____

- Individual
- Corporate Officer — Title(s): _____
- Partner — Limited General
- Attorney in Fact
- Trustee
- Guardian or Conservator
- Other: _____

RIGHT THUMBPRINT OF SIGNER

Top of thumb here

Signer Is Representing: _____

Signer's Name: _____

- Individual
- Corporate Officer — Title(s): _____
- Partner — Limited General
- Attorney in Fact
- Trustee
- Guardian or Conservator
- Other: _____

RIGHT THUMBPRINT OF SIGNER

Top of thumb here

Signer Is Representing: _____

CONTRACTOR CERTIFICATION

DRUG-FREE WORKPLACE

PROJECT TITLE: Los Penasquitos / Black Mountain Ranger Station

I hereby certify that I am familiar with the requirements of San Diego City Council Policy No. 100-17 regarding Drug-Free Workplace as outlined in the WHITEBOOK, Section 7-13.3, "Drug-Free Workplace", of the project specifications, and that;

West Coast General Corporation

(Name under which business is conducted)

has in place a drug-free workplace program that complies with said policy. I further certify that each subcontract agreement for this project contains language which indicates the subcontractor's agreement to abide by the provisions of subdivisions a) through c) of the policy as outlined.

Signed _____ 

Printed Name David E. Davey

Title President

CONTRACTOR CERTIFICATION

**AMERICAN WITH DISABILITIES ACT (ADA) COMPLIANCE
CERTIFICATION**

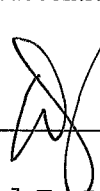
PROJECT TITLE: Los Penasquitos / Black Mountain Ranger Station

I hereby certify that I am familiar with the requirements of San Diego City Council Policy No. 100-4 regarding the American With Disabilities Act (ADA) outlined in the WHITEBOOK, Section 7-13.2, "American With Disabilities Act", of the project specifications, and that;

West Coast General Corporation

(Name under which business is conducted)

~~has in place workplace program that complies with said policy. I further certify that each subcontract agreement for this project contains language which indicates the subcontractor's agreement to abide by the provisions of the policy as outlined.~~

Signed _____ 

Printed Name David E. Davey

Title President

CONTRACTOR CERTIFICATION

CONTRACTOR STANDARDS – PLEDGE OF COMPLIANCE

PROJECT TITLE: Los Penasquitos / Black Mountain Ranger Station

I declare under penalty of perjury that I am authorized to make this certification on behalf of West Coast General Corporation, as Contractor, that I am familiar with the requirements of City of San Diego Municipal Code § 22.3224 regarding Contractor Standards as outlined in the WHITEBOOK, Section 7-13.4, ("Contractor Standards"), of the project specifications, and that Contractor has complied with those requirements.

I further certify that each of the Contractor's subcontractors whose subcontracts are greater than \$50,000 in value has completed a Pledge of Compliance attesting under penalty of perjury of having complied with City of San Diego Municipal Code § 22.3224.

Dated this 10 Day of Nov, 2014.

Signed _____ 

Printed Name David E. Davey

Title President

AFFIDAVIT OF DISPOSAL

WHEREAS, on the _____ DAY OF _____, 2____ the undersigned entered into and executed a contract with the City of San Diego, a municipal corporation, for:

Los Penasquitos / Black Mountain Ranger Station

(Name of Project)

as particularly described in said contract and identified as Bid No. **K-15-1234-DBB-3** SAP No. (WBS/IO/CC) **B-00619** and **WHEREAS**, the specification of said contract requires the Contractor to affirm that "all brush, trash, debris, and surplus materials resulting from this project have been disposed of in a legal manner"; and **WHEREAS**, said contract has been completed and all surplus materials disposed of:

NOW, THEREFORE, in consideration of the final payment by the City of San Diego to said Contractor under the terms of said contract, the undersigned Contractor, does hereby affirm that all surplus materials as described in said contract have been disposed of at the following location(s)

and that they have been disposed of according to all applicable laws and regulations.

Dated this _____ DAY OF _____, _____.

_____ Contractor

by

ATTEST:

State of _____

County of _____

On this _____ DAY OF _____, 2____, before the undersigned, a Notary Public in and for said County and State, duly commissioned and sworn, personally appeared _____ known to me to be the _____ Contractor named in the foregoing Release, and whose name is subscribed thereto, and acknowledged to me that said Contractor executed the said Release.

Notary Public in and for said County and State

ATTACHMENTS

ATTACHMENT A
SCOPE OF WORK

SCOPE OF WORK

1. **SCOPE OF WORK:** Development of the Ranger Park with parking lot, landscaping, kiosks, interpretive panels and pre-fabricated ranger station.
 - 1.1. The Work shall be performed in accordance with:
 - 1.1.1. The Notice Inviting Bids and Plans numbered **35048-01-D** through **35048-32-D**, inclusive.
2. **CONSTRUCTION COST:** The City’s estimated construction cost for this contract is **\$1,180,000**.
3. **LOCATION OF WORK:** The location of the Work is as follows: North East corner of Black Mountain Road & Mercy Road.
4. **CONTRACT TIME:** The Contract Time for completion of the Work, including the Plant Establishment Period, shall be **132 Working Days**.
5. **CONTRACTOR'S LICENSE CLASSIFICATION:** In accordance with the provisions of California Law, the Contractor shall possess valid appropriate license(s) at the time that the Bid is submitted. Failure to possess the specified license(s) shall render the Bid as **non-responsive** and shall act as a bar to award of the Contract to any Bidder not possessing required license(s) at the time of Bid.

5.1. The City has determined the following licensing classification(s) for this contract:

Option	Classification(s)
1	CLASS A
2	CLASS B

5.2. The Bidder shall satisfy the licensing requirement by meeting **at least** one of the listed options.

ATTACHMENT B
INTENTIONALLY LEFT BLANK

ATTACHMENT C
EQUAL OPPORTUNITY CONTRACTING PROGRAM

EQUAL OPPORTUNITY CONTRACTING PROGRAM

1. To The WHITEBOOK, Chapter 10, Sections D and E, DELETE each in its entirety, and SUBSTITUTE with the following:

D. CITY'S EQUAL OPPORTUNITY COMMITMENT.

1. Nondiscrimination in Contracting Ordinance.

1. The Contractor, Subcontractors and Suppliers shall comply with requirements of the City's Nondiscrimination in Contracting Ordinance, San Diego Municipal Code §§22.3501 through 22.3517.

The Contractor shall not discriminate on the basis of race, gender, religion, national origin, ethnicity, sexual orientation, age, or disability in the solicitation, selection, hiring, or treatment of subcontractors, vendors, or suppliers. The Contractor shall provide equal opportunity for subcontractors to participate in subcontracting opportunities. The Contractor understands and agrees that violation of this clause shall be considered a material breach of the contract and may result in contract termination, debarment, or other sanctions.

The Contractor shall include the foregoing clause in all contracts between the Contractor and Subcontractors and Suppliers.

2. Disclosure of Discrimination Complaints. As part of its Bid or Proposal, the Bidder shall provide to the City a list of all instances within the past 10 years where a complaint was filed or pending against Bidder in a legal or administrative proceeding alleging that Bidder discriminated against its employees, subcontractors, vendors, or suppliers, and a description of the status or resolution of that complaint, including any remedial action taken.
3. Upon the City's request, the Contractor agrees to provide to the City, within 60 days, a truthful and complete list of the names of all Subcontractors and Suppliers that the Contractor has used in the past 5 years on any of its contracts that were undertaken within San Diego County, including the total dollar amount paid by the Contractor for each subcontract or supply contract.
4. The Contractor further agrees to fully cooperate in any investigation conducted by the City pursuant to the City's Nondiscrimination in Contracting Ordinance, Municipal Code §§22.3501 through 22.3517. The Contractor understands and agrees that violation of this clause shall be considered a material breach of the Contract and may result in remedies being ordered against the Contractor up to and including contract termination, debarment and other sanctions for violation of the provisions of the Nondiscrimination in Contracting Ordinance. The Contractor further understands and agrees that the procedures, remedies and sanctions provided for in the Nondiscrimination in Contracting Ordinance apply only to violations of the Ordinance.

E. EQUAL EMPLOYMENT OPPORTUNITY OUTREACH PROGRAM.

1. The Contractor, Subcontractors and Suppliers shall comply with the City's Equal Employment Opportunity Outreach Program, San Diego Municipal Code §§22.2701 through 22.2707.

The Contractor shall not discriminate against any employee or applicant for employment on any basis prohibited by law. Contractor shall provide equal opportunity in all employment practices. Prime Contractor shall ensure their subcontractors comply with this program. Nothing in this section shall be interpreted to hold a prime contractor liable for any discriminatory practice of its subcontractors.

The Contractor shall include the foregoing clause in all contracts between the Contractor and Subcontractors and Suppliers.

2. If the Contract is competitively solicited, the selected Bidder shall submit a Work Force Report (Form BB05), within 10 Working Days after receipt by the Bidder of Contract forms to the City for approval as specified in the Notice of Intent to Award letter from the City.
3. If a Work Force Report is submitted, and the City determines there are under-representations when compared to County Labor Force Availability data, the selected Bidder shall submit an Equal Employment Opportunity Plan.
4. If the selected Bidder submits an Equal Employment Opportunity Plan, it shall include the following assurances:
 1. The Contractor shall maintain a working environment free of discrimination, harassment, intimidation and coercion at all sites and in all facilities at which the Contractor's employees are assigned to work.
 2. The Contractor reviews its EEO Policy, at least annually, with all on-site supervisors involved in employment decisions.
 3. The Contractor disseminates and reviews its EEO Policy with all employees at least once a year, posts the policy statement and EEO posters on all company bulletin boards and job sites, and documents every dissemination, review and posting with a written record to identify the time, place, employees present, subject matter, and disposition of meetings.
 4. The Contractor reviews, at least annually, all supervisors' adherence to and performance under the EEO Policy and maintains written documentation of these reviews.
 5. The Contractor discusses its EEO Policy Statement with subcontractors with whom it anticipates doing business, includes the EEO Policy Statement in its subcontracts, and provides such documentation to the City upon request.

6. The Contractor documents and maintains a record of all bid solicitations and outreach efforts to and from subcontractors, contractor associations and other business associations.
7. The Contractor disseminates its EEO Policy externally through various media, including the media of people of color and women, in advertisements to recruit, maintains files documenting these efforts, and provides copies of these advertisements to the City upon request.
8. The Contractor disseminates its EEO Policy to union and community organizations.
9. The Contractor provides immediate written notification to the City when any union referral process has impeded the Contractor's efforts to maintain its EEO Policy.
10. The Contractor maintains a current list of recruitment sources, including those outreaching to people of color and women, and provides written notification of employment opportunities to these recruitment sources with a record of the organizations' responses.
11. The Contractor maintains a current file of names, addresses and phone numbers of each walk-in applicant, including people of color and women, and referrals from unions, recruitment sources, or community organizations with a description of the employment action taken.
12. The Contractor encourages all present employees, including people of color and women employees, to recruit others.
13. The Contractor maintains all employment selection process information with records of all tests and other selection criteria.
14. The Contractor develops and maintains documentation for on-the-job training opportunities, participates in training programs, or both for all of its employees, including people of color and women, and establishes apprenticeship, trainee, and upgrade programs relevant to the Contractor's employment needs.
15. The Contractor conducts, at least annually, an inventory and evaluation of all employees for promotional opportunities and encourages all employees to seek and prepare appropriately for such opportunities.
16. The Contractor ensures the company's working environment and activities are non-segregated except for providing separate or single-user toilets and necessary changing facilities to assure privacy between the sexes.

ATTACHMENT D
INTENTIONALLY LEFT BLANK

ATTACHMENT E
SUPPLEMENTARY SPECIAL PROVISIONS

SUPPLEMENTARY SPECIAL PROVISIONS

The following Supplementary Special Provisions (SSP) modifies the following documents:

- 1) Standard Specifications for Public Works Construction (The GREENBOOK) currently in effect.
 - 2) The City of San Diego Standard Specifications for Public Works Construction (The WHITEBOOK).
-

SECTION 1 – TERMS, DEFINITIONS, ABBREVIATIONS, UNITS OF MEASURE, AND SYMBOLS

1-2 TERMS AND DEFINITIONS.

Normal Working Hours. To the City Supplement, ADD the following:

The Normal Working Hours are **7:00 AM to 3:30 PM.**

SECTION 2 - SCOPE AND CONTROL OF WORK

2-3.2 Self Performance. DELETE in its entirety and SUBSTITUTE with the following:

1. You must perform, with your own organization, Contract work amounting to at least 30% of the base bid alone or base bid and any additive or deductive alternate(s) that together when added or deducted form the basis of award.
2. The self performance percentage requirement will be waived for contracts when a “B” License is required or allowed.

2-5.3.1 General. To the City Supplement, ADD the following:

7. For products for which an AML is available, products listed in the AML shall be used. A submittal review will be conducted for products not identified on an AML on a case-by-case basis when:
 - a) The product type or category is not in the AML.
 - b) The AML does not list at least two available manufacturers of the product.
 - c) The material or manufacturer listed in the AML is no longer available. Documentation to substantiate the product is no longer available or in production is required as part of the submittal.

In the case of conducting a submittal review when required by the Plans or Special Provisions, or when requested by the Engineer, all submittals shall be accompanied by the City's submittal form.

The Product Submittal Form is available for download at:

<http://www.sandiego.gov/publicworks/edocref/index.shtml>

2-7 SUBSURFACE DATA. ADD the following:

4. In preparation of the Contract Documents, the designer has relied upon the following reports of explorations and tests of subsurface conditions at the Work Site:
 1. Report of Geotechnical Evaluation dated May 26, 2006 by K2 Engineering Inc.
 2. Addendum/Response to comments dated June 13, 2012 by K2 Engineering Inc.
5. The reports listed above is(are) available for review by contacting the Contract Specialist or visiting:

<ftp://ftp.sannet.gov/OUT/ECP/2-7%20SUBSURFACE%20DATA/>

2-9.2 Survey Service.

DELETE in its entirety and SUBSTITUTE with the following:

The Contractor shall be responsible for all surveying services.

The payment for survey services shall be included in the various Bid items unless a Bid item for Survey Service has been provided.

2-15 TECHNICAL STUDIES AND DATA. To the City Supplement, ADD the following:

5. In preparation of the Contract Documents, the designer has relied upon the following reports of explorations and tests at the Work Site:
 1. Los Penasquitos/Black Mountain Ranger Station Project Biological Technical Report dated April 24, 2013 by Helix Environmental Planning.
6. The report listed above is available for review by contacting the Contract Specialist or visiting:

ftp://ftp.sannet.gov/OUT/ECP/K-15-1234-DBB_Los%20Pen-Blk%20Mnt%20Ranger%20Station/

SECTION 4 - CONTROL OF MATERIALS

4-1.3.6 Preapproved Materials. To the City Supplement, ADD the following:

3. You shall submit in writing a list of all products to be incorporated in the Work that are on the AML.

4-1.6 Trade Names or Equals. ADD the following:

You must submit your list of proposed substitutions for “an equal” (“or equal”) item(s) **no less than 15 Working Days prior to Bid due date** and on the City’s Product Submittal Form available at.

<http://www.sandiego.gov/publicworks/edocref/index.shtml>

SECTION 6 - PROSECUTION, PROGRESS AND ACCEPTANCE OF WORK

6-1.1 Construction Schedule. To item 20, ADD the following:

The specified Plant Establishment Period is included in the stipulated Contract Time.

6-7.1 General. To the City Supplement, ADD the following:

5. For Water projects where shutdowns of 16 inch and larger pipes are required, there is a shutdown moratorium from May until October. Contractor shall plan and schedule work accordingly. No additional payment or working days will be granted for delays due to this moratorium.
6. 30 Working days for full depth asphalt final mill and resurfacing work required per SDG-107.

SECTION 7 - RESPONSIBILITIES OF THE CONTRACTOR

7-3 LIABILITY INSURANCE. DELETE in its entirety and SUBSTITUTE with the following:

The insurance provisions herein must not be construed to limit your indemnity obligations contained in the Contract.

7-3.1 Policies and Procedures.

1. You must procure the insurance described below, at its sole cost and expense, to provide coverage against claims for loss including injuries to persons or damage to property, which may arise out of or in connection with the performance of the Work by you, your agents, representatives, officers, employees or Subcontractors.
2. Insurance coverage for property damage resulting from your operations is on a replacement cost valuation. The market value will not be accepted.
3. You must maintain this insurance for the duration of this contract and at all times thereafter when you are correcting, removing, or replacing Work in accordance with this contract. Your liabilities under the Contract, e.g., your indemnity obligations, is not deemed limited to the insurance coverage required by this contract.

4. Payment for insurance is included in the various items of Work as bid by you, and except as specifically agreed to by the City in writing, you are not entitled to any additional payment. Do not begin any work under this contract until you have provided and the City has approved all required insurance.
5. Policies of insurance must provide that the City is entitled to 30 days (10 days for cancellation due to non-payment of premium) prior written notice of cancellation or non-renewal of the policy. Maintenance of specified insurance coverage is a material element of the Contract. Your failure to maintain or renew coverage or to provide evidence of renewal during the term of the Contract may be treated by the City as a material breach of the Contract.

7-3.2 Types of Insurance.

7-3.2.1 Commercial General Liability Insurance.

1. Commercial General Liability Insurance must be written on the current version of the ISO Occurrence form CG 00 01 07 98 or an equivalent form providing coverage at least as broad.
2. The policy must cover liability arising from premises and operations, XCU (explosions, underground, and collapse), independent contractors, products/completed operations, personal injury and advertising injury, bodily injury, property damage, and liability assumed under an insured’s contract (including the tort liability of another assumed in a business contract).
3. There must be no endorsement or modification limiting the scope of coverage for either “insured vs. insured” claims or contractual liability. You must maintain the same or equivalent insurance for at least 10 years following completion of the Work.
4. All costs of defense must be outside the policy limits. Policy coverage must be in liability limits of not less than the following:

<u>General Annual Aggregate Limit</u>	<u>Limits of Liability</u>
Other than Products/Completed Operations	\$2,000,000
Products/Completed Operations Aggregate Limit	\$2,000,000
Personal Injury Limit	\$1,000,000
Each Occurrence	\$1,000,000

7-3.2.2 Commercial Automobile Liability Insurance.

1. You must provide a policy or policies of Commercial Automobile Liability Insurance written on the current version of the ISO form CA 00 01 12 90 or later version or equivalent form providing coverage at least as broad in the amount of \$1,000,000 combined single limit per accident, covering bodily injury and property damage for owned, non-owned, and hired automobiles (“Any Auto”).
2. All costs of defense must be outside the limits of the policy.

7-3.2.5

Contractors Builders Risk Property Insurance..

1. You must provide at its expense, and maintain until Final Acceptance of the Work, a Special Form Builders Risk Policy or Policies. This insurance must be in an amount equal to the replacement cost of the completed Work (without deduction for depreciation) including the cost of excavations, grading, and filling. The policy or policies limits must be 100% of this contract value of the Work plus 15% to cover administrative costs, design costs, and the costs of inspections and construction management.
2. Insured property must include material or portions of the Work located away from the Site but intended for use at the Site, and must cover material or portions of the Work in transit. The policy or policies must include as insured property scaffolding, falsework, and temporary buildings located at the Site. The policy or policies must cover the cost of removing debris, including demolition.
3. The policy or policies must provide that all proceeds thereunder must be payable to the City as Trustee for the insured, and must name the City, the Contractor, Subcontractors, and Suppliers of all tiers as named insured. We as Trustee will collect, adjust, and receive all monies which may become due and payable under the policy or policies, may compromise any and all claims thereunder, and will apply the proceeds of such insurance to the repair, reconstruction, or replacement of the Work.
4. Any deductible applicable to the insurance must be identified in the policy or policies documents and responsibility for paying the part of any loss not covered because of the application of such deductibles must be apportioned among the parties except for the City as follows: if there is more than one claimant for a single occurrence, then each claimant must pay a pro-rata share of the per occurrence deductible based upon the percentage of their paid claim to the total paid for insured. The City must be entitled to 100% of its loss. The Contractor must pay the City any portion of that loss not covered because of a deductible, at the same time the proceeds of the insurance are paid to the City as trustee.
5. Any insured, other than the City, making claim to which a deductible applies must be responsible for 100% of the loss not insured because of the deductible. Except as provided for under California law, the policy or policies must provide that the City is entitled to 30 days prior written notice (10 days for cancellation due to non-payment of premium) of cancellation or non-renewal of the policy or policies.

7-3.3

Rating Requirements. Except for the State Compensation Insurance Fund, all insurance required by this contract as described herein must be carried only by responsible insurance companies with a rating of, or equivalent to, at least “A-, VI” by A.M. Best Company, that are authorized by the California Insurance Commissioner to do business in the State, and that have been approved by the City.

7-3.3.1 Non-Admitted Carriers. The City will accept insurance provided by non-admitted, “surplus lines” carriers only if the carrier is authorized to do business in the State and is included on the List of Approved Surplus Lines Insurers (LASLI list).

All policies of insurance carried by non-admitted carriers must be subject to all of the requirements for policies of insurance provided by admitted carriers described herein.

7-3.4 Evidence of Insurance. Furnish to the City documents e.g., certificates of insurance and endorsements evidencing the insurance required herein, and furnish renewal documentation prior to expiration of this insurance. Each required document must be signed by the insurer or a person authorized by the insurer to bind coverage on its behalf. We reserve the right to require complete, certified copies of all insurance policies required herein.

7-3.5 Policy Endorsements.

7-3.5.1 Commercial General Liability Insurance

7-3.5.1.1 Additional Insured.

- a) You must provide at your expense policy endorsement written on the current version of the ISO Occurrence form CG 20 10 11 85 or an equivalent form providing coverage at least as broad.
- b) To the fullest extent allowed by law e.g., California Insurance Code §11580.04, the policy must be endorsed to include the City and its respective elected officials, officers, employees, agents, and representatives as additional insured.
- c) The additional insured coverage for projects for which the Engineer’s Estimate is \$1,000,000 or more must include liability arising out of: (a) Ongoing operations performed by you or on your behalf, (b) your products, (c) your work, e.g., your completed operations performed by you or on your behalf, or (d) premises owned, leased, controlled, or used by you.
- d) The additional insured coverage for projects for which the Engineer’s Estimate is less than \$1,000,000 must include liability arising out of: (a) Ongoing operations performed by you or on your behalf, (b) your products, or (c) premises owned, leased, controlled, or used by you.

7-3.5.1.2 Primary and Non-Contributory Coverage. The policy must be endorsed to provide that the coverage with respect to operations, including the completed operations, if appropriate, of the Named Insured is primary to any insurance or self-insurance of the City and its elected officials, officers, employees, agents and representatives. Further, it must provide that any insurance maintained by the City and its elected officials, officers, employees, agents and representatives must be in excess of your insurance and must not contribute to it.

7-3.5.1.3 Project General Aggregate Limit.

The policy or policies must be endorsed to provide a Designated Construction Project General Aggregate Limit that will apply only to the Work. Only claims payments which arise from the Work must reduce the Designated Construction Project General Aggregate Limit. The Designated Construction Project General Aggregate Limit must be in addition to the aggregate limit provided for the products-completed operations hazard.

7-3.5.2 Commercial Automobile Liability Insurance.

7-3.5.2.1 Additional Insured. Unless the policy or policies of Commercial Auto Liability Insurance are written on an ISO form CA 00 01 12 90 or a later version of this form or equivalent form providing coverage at least as broad, the policy must be endorsed to include the City and its respective elected officials, officers, employees, agents, and representatives as additional insured, with respect to liability arising out of automobiles owned, leased, hired or borrowed by you or on your behalf. This endorsement is limited to the obligations permitted by California Insurance Code §11580.04.

7-3.5.5 Builders Risk Endorsements.

7-3.5.5.1 Waiver of Subrogation. The policy or policies must be endorsed to provide that the insurer will waive all rights of subrogation against the City, and its respective elected officials, officers, employees, agents, and representatives for losses paid under the terms of the policy or policies and which arise from work performed by the Named Insured for the City.

7-3.5.5.2 Builders Risk – Partial Utilization. If the City desire to occupy or use a portion or portions of the Work prior to Acceptance in accordance with this contract, the City will notify you and you must immediately notify your Builder's Risk insurer and obtain an endorsement that the policy or policies must not be cancelled or lapse on account of any such partial use or occupancy. You must obtain the endorsement prior to our occupation and use.

7-3.6 Deductibles and Self-Insured Retentions. You must pay for all deductibles and self-insured retentions. You must disclose deductibles and self-insured retentions to the City at the time the evidence of insurance is provided.

7-3.7 Reservation of Rights. The City reserves the right, from time to time, to review your insurance coverage, limits, deductibles and self-insured retentions to determine if they are acceptable to the City. The City will reimburse you, without overhead, profit, or any other markup, for the cost of additional premium for any coverage requested by the Engineer but not required by this contract.

7-3.8 Notice of Changes to Insurance. You must notify the City 30 days prior to any material change to the policies of insurance provided under this contract.

7-3.9 Excess Insurance. Policies providing excess coverage must follow the form of the primary policy or policies e.g., all endorsements.

7-4 WORKERS' COMPENSATION INSURANCE. DELETE in its entirety and SUBSTITUTE with the following:

7-4.1 Workers' Compensation Insurance and Employers Liability Insurance.

1. In accordance with the provisions of §3700 of the California Labor Code, you must provide at your expense Workers' Compensation Insurance and Employers Liability Insurance to protect you against all claims under applicable state workers compensation laws. The City, its elected officials, and employees will not be responsible for any claims in law or equity occasioned by your failure to comply with the requirements of this section.
2. Limits for this insurance must be not less than the following:

<u>Workers' Compensation</u>	<u>Statutory Employers Liability</u>
Bodily Injury by Accident	\$1,000,000 each accident
Bodily Injury by Disease	\$1,000,000 each employee
Bodily Injury by Disease	\$1,000,000 policy limit

3. By signing and returning the Contract you certify that you are aware of the provisions of §3700 of the Labor Code which require every employer to be insured against liability for worker's compensation or to undertake self-insurance in accordance with the provisions of that code and you must comply with such provisions before commencing the Work as required by §1861 of the California Labor Code.

7-4.1.1 Waiver of Subrogation.

The policy or policies must be endorsed to provide that the insurer will waive all rights of subrogation against the City, and its respective elected officials, officers, employees, agents, and representatives for losses paid under the terms of the policy or policies and which arise from work performed by the Named Insured for the City.

7-10.5.3 Steel Plate Covers. Table 7-10.5.3(A), REVISE the plate thickness for 5'-3" trench width to read 1 3/4".

7-15 INDEMNIFICATION AND HOLD HARMLESS AGREEMENT. To the City Supplement, fourth paragraph, last sentence, DELETE in its entirety and SUBSTITUTE with the following:

Your duty to indemnify and hold harmless does not include any claims or liability arising from the established active or sole negligence, or willful misconduct of the City, its officers, or employees.

7-16 COMMUNITY LIASON. To the City Supplement, DELETE in its entirety and SUSBTITUTE with the following:

**ADD:
7-16**

COMMUNITY OUTREACH.

7-16.1

General.

1. To ensure consistency with the City's community outreach plan for the project, the City will work with the Contractor to inform the public (which includes, but is not limited to, property owners, renters, homeowners, business owners, recreational users, and other community members and stakeholders) of construction impacts. Efforts by the Contractor to mitigate construction impacts by communicating with the public require close coordination and cooperation with the City.
2. The Contractor will perform the community outreach activities required throughout the Contract Time.
3. The Contractor shall closely coordinate the Work with the businesses, institutions, residents and property owners impacted by the Project. Example duties of the Contractor include notification to the businesses, institutions and residents of the commencement of construction activities not less than 5 days in advance, coordination of access for vehicular and pedestrian traffic to businesses, institutions and residences impacted by the Project, reporting of Contractor activities at all Project progress meetings scheduled by the Engineer, attendance to the Project Pre-construction Meeting, attendance at 2 community meetings, response to community questions and complaints related to Contractor activities, and written documentation including logging in all inquiries and complaints received into the City's Public Contact Log located on the City's SDShare site:

<http://sdshare/forums/ecp/PITS/picr/Lists/Public%20Contact%20Log/AllItems.aspx>

4. The Contractor shall execute the Information Security Policy Acknowledgement Form - For Non-City Employees within 15 days of the award of the Contract if:
 - a) The contact information for the Contractor is made available on any outreach materials or;
 - b) The Contractor will be the primary point of contact to resolve project related inquiries and complaints.
5. Electronic Communication.

All inquiries and complaints will be logged in to the City's SDShare site within 24 hours of receipt of inquiries and complaints.

Any updates or a resolution of inquiries, and complaints shall be documented in the City's SDShare site within 24 hours.

Copies of email communications shall be saved on to the City's SDSHare site as individually as an Outlook Message Format (*.msg).

All graphics, photos, and other electronic files associated with the inquiries and or complaints shall be saved into the individual record.

6. **When specified in the Special Provisions**, present your Exclusive Community Liaison to the Engineer, in writing, within 15 days of the award of the Contract.

7-16.2 Submittals.

1. The Contractor shall submit to the Resident Engineer, for review and approval, all drafts of letters, notices, postcards, door hangers, signs, mailing lists, proposed addresses for hand-delivery, and any other notices and letters that are to be mailed and or distributed to the public.
 - a. Prior to distributing or mailing, the Contractor shall submit final drafts of letters, notices, postcards, door hangers, signs, and any other notices and letters to the Resident Engineer for final review and approval.
 - b. After distributing or mailing, the Contractor shall submit verification of delivery and any copies of returned notices to the Resident Engineer.
2. The Contractor will use the City's SDSHare site to identify and summarize communications (via phone, in person, and email) with the public the within 24 hours of receipt, even if the Contractor's response to the individual is still incomplete. The Contractor will upload to the City's SDSHare site copies of all written, electronic, and verbal communications and conversations with the public.

7-16.3 Public Notice by Contractor.

1. Furnish and distribute public notices in the form of door hangers using the City's format to all occupants and/or property owners along streets where Work is to be performed at least 5 days before starting the Work as directed by the Resident Engineer.
2. For all Work on private property, contact each owner and occupant individually a minimum of 15 days prior to the Work. If the Work has been delayed, re-notify owners and occupants of the new Work schedule, as directed by the Resident Engineer.

7-16.4 Quality Assurance.

1. During the course of community outreach, the Contractor shall ensure the character of all persons that conduct community outreach (distributing door hangers, attending community meetings, interacting with the public, etc.), on behalf of the Contractor:
 - a. Have the ability to speak and comprehend English and/or Spanish, as appropriate for the community or public they are informing,
 - b. Possess and display easily verifiable and readable personal identification that identifies the person as an employee of the Contractor,
 - c. Have the interpersonal skills to effectively, professionally, and tactfully represent the project, Contractor, and City to the public.

7-16.5 Communications with the Public.

1. The Contractor shall provide updates on construction impacts to the Resident Engineer. The Contractor shall notify the Resident Engineer in advance about time-sensitive construction impacts and may be required to distribute construction impact notices to the public on short notice.
2. The Contractor shall incorporate community outreach activities related to construction impacts in the baseline schedule and update the Resident Engineer with each week's submittal of the Three-Week Look Ahead Schedule.
3. At the request of the Resident Engineer, the Contractor shall attend and participate in project briefings at community meetings.
4. The Contractor shall coordinate with the Resident Engineer on all responses and actions taken to address public inquiries and complaints within 24-hours that they are received.

7-16.6 Communications with Media.

1. The City may allow members of the media access to its construction site(s) on a case-by-case basis only.
2. Occasionally, members of the media may show up at construction sites, uninvited. Members of the media (including, but not limited to newspaper, magazine, radio, television, bloggers, and videographers) do not have the legal right to be in the construction site without the City's permission.
3. In the event media representatives arrive near or on the construction site(s), the Contractor shall keep them off the site(s), in a courteous and professional manner, until a Public Information Officer is available to meet them at an approved location.

4. The Contractor shall report all members of the media visits to the Resident Engineer as quickly as possible, so that the City's Public Information Officer can meet with the members of the media at the construction site(s).
5. If the City allows members of the media to access a construction site, the Contractor shall allow the City to escort the media representatives while they are on the construction site and shall ensure their safety.
6. The Contractor shall require media representatives to sign in and out of the Site Visitor Log and to use Personal Protective Equipment.
7. The Contractor has a right to speak to members of the media about its company and its role on the project. All other questions shall be referred to the City.

7-16.7 Exclusive Community Liaison Services.

If directed to conduct Exclusive Community Liaison Services, the Contractor shall retain an Exclusive Community Liaison for the Project whose sole responsibilities will be as follows:

1. Develop a contact list of community, tenants, property owners, and agencies with a stake in the project.
2. Notify businesses, institutions, property owners, and residents of the commencement of construction activities and utility service interruptions not less than 5 days in advance.
3. Coordinate access for vehicular and pedestrian traffic to businesses, institutions and residences impacted by the Project.
4. Prepare and present of materials in coordination with the Resident Engineer (the City's standards and guidelines for the communication materials are available for review by Bidders by sending a request to the Contract Specialist).
5. Respond to community questions and complaints related to Contractor activities.
6. Write, edit, update, or produce brochures, pamphlets and news releases.
7. Provide standard telephone inquiries and e-mail responses:
 - a) Respond to telephone calls and e-mails from the public.
 - b) Record calls and e-mails on the City's SDSshare site.
8. Report Exclusive Community Liaison activities at all progress meetings scheduled by the Resident Engineer.
9. Attendance at pre-construction, community and stakeholders meetings.

7-16.7.1 Exclusive Community Liaison Work Plan. The Work plan for the Exclusive Community Liaison shall address the items of Work specified in these specifications. Present your Exclusive Community Liaison and submit your exclusive community outreach plan (in writing) as **specified in the Special Provisions** within 15 days of the Award of the Contract.

7-16.8 Payment. The Payment for the community outreach and public notices is included in the various Bid items. The payment for exclusive community liaison is in the bid item for “Exclusive Community Liaison Services” when provided as a separate Bid item.” If no Bid item has been provided the payment is included in the various Bid items.

7-20 ELECTRONIC COMMUNICATION. ADD the following:

Virtual Project Manager will be used on this contract.

SECTION 8 - FACILITIES FOR AGENCY PERSONNEL

8-2 FIELD OFFICE FACILITIES. To the City Supplement, DELETE in its entirety.

SECTION 9 - MEASUREMENT AND PAYMENT

9-3.2.5 Withholding of Payment. To the City Supplement, item i), DELETE in its entirety and SUBSTITUTE with the following:

- i) Your failure to comply with 7-2.3, “PAYROLL RECORDS” and 2-16, “CONTRACTOR REGISTRATION AND ELECTRONIC REPORTING SYSTEM.”

ADD:

9-3.7 Compensation Adjustments for Price Index Fluctuations. This Contract is not subject to the provisions of The WHITEBOOK for Compensation Adjustments for Price Index Fluctuations for the paving asphalt.

SECTION 203 – BITUMINOUS MATERIALS

203-15 RUBBER POLYMER MODIFIED SLURRY (RPMS). To the City Supplement, CORRECT section numbering as follows:

OLD SECTION NUMBER	TITLE	NEW SECTION NUMBER
203-15	RUBBER POLYMER MODIFIED SLURRY (RPMS)	203-16
203-15.1	General	203-16.1
203-15.2	Materials	203-16.2
203-15.3	Composition and Grading	203-16.3
203-15.4	Mix Design	203-16.4

ADD the following:

RPMS shall be used on this contract.

SECTION 207 – PIPE

207-9.2.3 Fittings. To the City Supplement, ADD the following:

8. Flange gaskets shall be 3.2mm (1/8") thick acrylic or aramid fibers bound with nitrile for all sizes of pipe. Gaskets shall be full-face type with pre-punched holes free of asbestos material. All insulating flange kits require full face gaskets.

207-17.2.3 Pipe Manufacturer. To the City Supplement, DELETE in its entirety and SUBSTITUTE with the following:

PVC products as manufactured or distributed by J-M Manufacturing Company shall not be used on the Contract for pressurized pipe **unless specified otherwise**.

SECTION 212 - LANDSCAPE AND IRRIGATION MATERIALS

ADD:

212-3.2.2.3 Trench Marker Tape. To the City Supplement, DELETE in its entirety and SUBSTITUTE with the following:

- a) Trench marker tape shall be 6” wide and consist of a minimum 5.0 mil, five-ply 100% virgin polyethylene which is acid, alkaline and corrosion resistant. Elongation properties and tensile strength of not less than 7,800 psi shall be in accordance with ASTM D882-80A. The trench marker tape for water lines shall have a minimum 20 gauge solid aluminum foil core, adhered to a 2.55 mil polyethylene backing.
- b) Tape color and legend shall be placed beneath the top protective layer subject to the following:
 1. Blue with “Caution Potable Water Line Buried Below” for Water mainlines and over pipe sleeves.
 2. Purple with “Caution Recycled/Reclaimed Water Line Buried Below” for recycled water irrigation mainlines.
 3. Red with “Caution Electric Line Buried Below” for electrical lines servicing the irrigation system, including, but not limited to, 110/220v power to irrigation controllers and pumps, communication cables and irrigation direct burial control wires to remote control valves.
 4. Green with “Caution Sewer Line Buried Below” for Sewer mainlines and over pipe sleeves.

SECTION 703 – ENCOUNTERING OR RELEASING HAZARDOUS SUBSTANCES

703-20 Payment. To the City Supplement, Item 1, DELETE in its entirety and SUBSTITUTE with the following:

1. Payment for waste management shall be included in the applicable Bid items as follows:
 - a) Preparation of Hazardous Waste Management Plan and Reporting (LS).
 - b) Monitoring, Testing, Sampling, Site Storage, and Handling of Soils Containing RCRA Hazardous Waste (TON).
 - c) Loading, Transportation, and Disposal of soils containing RCRA Hazardous Waste (TON).
 - d) Monitoring of Petroleum Contaminated Soil (HR).
 - e) Testing, Sampling, Site Storage and Handling of Petroleum Contaminated Soil (TON).
 - f) Loading, Transportation, and Disposal of Petroleum Contaminated Soil (TON).
 - g) Monitoring, Testing, Sampling Site Storage and Handling of Soils Containing Non-RCRA Hazardous Waste (TON).
 - h) Loading, Transportation, and Disposal of Soils Containing Non-RCRA Hazardous Waste (TON).
 - i) Testing, Sampling, Site Storage, Handling, Transportation, and Disposal of Containerized RCRA Hazardous Waste (55 Gal DRUMS).
 - j) Testing, Sampling, Site Storage, Handling, Transportation, and Disposal of Containerized Non-RCRA Hazardous Waste (55 Gal DRUMS).
 - k) Testing, Sampling, Site Storage, Handling, Transportation and Recycling/Disposal of Universal Waste (EACH).
 - l) Testing, Sampling, Site Storage, Handling, Transportation and Recycling/Disposal of Regulated Waste (TON).
 - m) Testing, Sampling, Site Storage, Handling, Transportation, and Disposal of RCRA Hazardous Waste contamination from the treatment of contaminated ground water (GAL).
 - n) Testing, Sampling, Site Storage, Handling, Transportation, and Disposal of Non-RCRA Hazardous Waste contamination from the treatment of contaminated ground water (GAL).

SECTION 705 – WATER DISCHARGES

- 705-2.6.1** **General. Paragraph (3), CORRECT reference to Section 803 to read “Section 703.”**
- 705-2.6.3** **Community Health and Safety Plan.** To the City Supplement, DELETE in its entirety and SUBSTITUTE with the following:
- 705-2.6.3** **Community Health and Safety Plan.** See 703-2, “Community Health and Safety Plan.”

SECTION 707 – RESOURCE DISCOVERIES

ADD:

- 707-1.1** **Environmental Document.** The City of San Diego Environmental Analysis Section (EAS) of the Development Services Department has prepared a **Site Development Permit No. 715163** for **Los Penasquitos / Black Mountain Ranger Station], DEP No. 201723**, as referenced in the Contract Appendix. You must comply with all requirements of the **Site Development Permit No. 715163** as set forth in the Contract Appendix A.

Compliance with the City’s environmental document is included in the various Bid items, unless a bid item has been provided.

END OF SUPPLEMENTARY SPECIAL PROVISIONS (SSP)

TECHNICALS

SECTION 130000
PREFABRICATED BUILDING

A. General, Specifications and Clarification of Prefabricated Building and Site Installation

1. This portion of the bid specifications does not follow the CSI standard format as the prefabricated structure in this bid is an **offsite constructed "product"** and not "typical" general construction.
2. The **installation of the product on site is general construction**, which must be coordinated between the general contractor and the subcontractor. Specifications for the building foundation/pad shall be provided herein by the specified design/build subcontractor. Due to the responsibility of the specified building subcontractor for architecture, engineering and a five-year warranty, the site pad/foundation must meet the subcontractor's design so the pad and building can be considered from a single source for warranty purposes. The subcontractor must accept the pad and compactions tests before they take responsibility for the entire system under their warranty.

B. Architectural Design/Engineering and Insurance Responsibility

1. While the city has provided bid specifications and a design for the building, the building design/build subcontractor remains legally responsible for architecture, engineering, and all applicable building, safety, health, fire, and accessibility code compliance. Since they hold professional design responsibility to the owner, the building subcontractor must furnish certification that they provide product liability insurance in the amounts required by the general specifications **to cover property damage and personal injury**. Final drawings shall be stamped by a California engineer and California Department of Housing, suitable for local permitting.

C. Errors and Omissions Insurance

1. The building design/build subcontractor must also provide an additional Professional Architectural and Engineering Errors and Omissions insurance, in the minimum amount of \$2,000,000, **to cover claims against the owner or the general contractor for State and Federal ADA handicapped accessibility and other design/engineering code issues**. This Errors and Omission Policy must remain in effect for 5 years from the completion and owner acceptance of the project. Products liability insurance (since it does not cover professional design responsibility only) will be insufficient for this bid and will be cause for rejection of the bidder.

D. Insurance for the Building offsite, while in transit, and/or on site until turn over and final owner acceptance

-
1. The subcontractor may request invoicing for a percentage of building completion in-plant, monthly. Under UCC law, this means that the subcontractor is turning over responsibility for the portion invoiced to the owner yet the building will not be on the owner's property and may not be covered by the owners insurance. Therefore, the prefabricated building subcontractor must provide a separate insurance policy insuring the owner and general contractor as additionally insured for liability, damage and/or vandalism to the building while in the manufacturing facility, while in transit, and/or while in storage at a certified bonded storage facility or at the final project site for up to \$200,000 for each prefabricated building module, until the building is final accepted by owner.

E. General Contractor Coordination with Design/Build Subcontractor

1. The specified public prefabricated building requires coordination between the General Contractor (who prepares the site pad and delivery access for the prefabricated storage building) and the prefabricated building subcontractor (who completes the architectural design, engineering, off-site building construction, delivery and installation on site.) The specified prefabricated building specifications include unique components/systems which are custom to the prefabricated building subcontractor. Since the prefabricated building subcontractor is responsible for design, additional insurance requirements for errors and omissions is required.

F. General Contractor, General Scope of Work

1. The general contractor for this project is responsible for the site survey and staking the building location, finished slab survey elevations and marking on site, construction and compaction of the required building pad; access to the site for a large crane and tractor trailers delivering the prefabricated building; providing water, sewer, and power at a point of connection (POC) within 6 feet of the building and at the depth required by the building subcontractor and local code; and the installation of any sidewalks outside the building footprint.
2. The general contractor is responsible for verification to the building subcontractor design/build firm that there are no unanticipated site delivery issues such as overhead wires, trees, tree roots, or existing grade changes and that prevent a clear path of travel between a roadway and the final site exists for a tractor trailer and crane to expedite delivery. The design/build subcontractor requires that the general contractor certify that the required delivery crane must be able to set the building module/modules within 35' distance from the center of the building to the center of the crane hoist.

G. Prefabricated Building, General Scope of Work:

1. The prefabricated building specialist will provide to the general contractor final building design architectural drawings and engineering calculations under the responsibility of a licensed structural engineer, in compliance with all local, state

and federal codes. The design/build subcontractor shall construct the building offsite as a permanently relocatable building, transport it to the final required destination, and install the building turnkey, (to 6' from the building footprint) on a general contractor prepared pad per the drawings included in this bid.

H. Licensing:

The subcontractor must comply with all the State of California; Department of Housing prefabricated "Commercial Coach requirements" as follows:

1. The building *manufacturer* must be licensed by the State of California, Department of Housing as a manufacturer for the last five years, to verify experience.
2. Submit a copy of the all the current licenses for verification with bid.
3. The selling dealer must be a California licensed dealer and present their license for verification with the bid.
4. The licensed dealer must also possess a State of California Contractors License Board Class B License and present their license for verification with the bid.

I. Bid Standard for the Prefabricated Building

1. The City of San Diego understands that there are several firms who design and build various types of public prefabricated buildings in varying quality and architectural styles, using similar or different construction methods and materials. For the purpose of this bid, the owner has selected:

Public Restroom Company, 2587 Business Parkway, Minden, Nevada, 89423 and specifies herein that this firm is the standard for architectural design (safety, green design, code compliance, and site specific compatibility.) PRC is also the standard of building performance and quality for the 50 year building design-life with low-maintenance based upon the longevity of the materials selected. Other firms quoting "or equal" whose criteria and standards do not comply will be rejected. PRC contact information is (888-888-2060 extension 113 telephone, and 888-888-1448 fax.)

J. "Or Equal Prefabricated Design/Build Subcontractors"

1. The City of San Diego may also allow other firms to become qualified to bid but any firms so authorized to bid must comply with the bid specifications and plans, or be subject to post bid rejection.
2. In order to provide full and open competition, other firms may request approval as "or equal." **The following items must be provided to the City in accordance with substitution requirements outlined in the project specifications.** Failure to supply these items will result in bid rejection.
 - a) Or Equal applicant shall provide with their bid submission, scaled floor plans and elevations, to show general architectural design criteria is met.

-
- b) Or Equal applicant shall provide with their bid submission, a written list of each and every deviation from the published bid specifications/plans. Lack of specificity to each deviation from the bid specifications will be cause for rejection.
 - c) Or Equal applicant shall provide their bid submission, manufacturer's certification of test compliance from a national independent testing laboratory (within the past year) to support the claim for absorption resistance of the slab type that will be used in their proposed building. The written report must state the concrete compressive strength (minimum of 7,000 PSI) and absorption resistance (not greater than 3%) per ASTM standard #C39 and #C642, respectively.
 - d) Or Equal applicant must provide a list of every building they designed and built over the last 3 years utilizing the same building materials/systems design criteria as published in this bid. Provide date of building bid, date of completion, and most knowledgeable owner contact.
 - e) Or equal applicant shall provide certification of the special insurance required in this bid.
 - f) Or Equal applicant shall be responsible for and bear all cost for architecture, plan checks, design and structural engineering and all fees in obtaining approvals and permits from applicable agencies.
3. The City of San Diego or their consultant will be solely responsible for the decision to accept or reject the "or equal" submission.

K. Certificate of Off-site Inspection and Construction Compliance, Provision for Maintenance Manuals, and Warranty

1. The off-site restroom construction requires that a licensed third party inspection firm provide the owner and the local building official with certification and compliance for the building with the approved plans and specifications. A certificate of compliance shall be issued by this inspector to the local building official to provide certification that the building meets and or exceeds the approved plans and applicable codes including the current California Green Building Standards Code.
2. At the project conclusion, the building subcontractor shall furnish two sets of complete maintenance manuals including a troubleshooting guide, location of manufacturers of key components for replacement parts together with final as-built plans, and a **five (5) year warranty** to the owner or general contractor.

L. Site Scope of Work by General Contractor

The general contractor shall prepare the prefabricated building pad to receive the prefabricated building in accordance with the bid "pad preparation drawings."

1. The building pad shall be excavated to 14" deep from the final building concrete slab elevation in accordance with the drawing titled "foundation pad design."

-
2. The building pad shall meet a 90% compaction in lifts using class 2 base for the first four inches and coarse sand for the last two inches of the pad, leaving the finished sub grade pad elevation at finished floor, minus 8”.
 3. The General Contractor shall provide water point of service at 30” below finished building slab; sewer at 24” below the finished building slab; and electrical at 36” below the finished building slab or other per bid plans.
 4. General Contractor shall coordinate with restroom subcontractor to provide full site delivery access for a 70’ tractor-trailer and hydro crane to the final building site.
 5. If the final site access is over existing sidewalks, utilities, or landscaping, the General Contractor shall be responsible for plating and or tree trimming, utility line removal, or other to protect any existing conditions.
 6. The hydro crane must be able to locate no greater than 35’ from the center point of the building to the center point of the crane.
 7. The utilities shall be furnished per bid site plans at specified points of connection (POC) nominally 6’ from the building line.
 8. General contractor shall furnish and install final grading, landscaping and sidewalks.

M. Connection to Utilities

1. The prefabricated building subcontractor will furnish Electrical, Water, and Sewer at the proper POINT OF CONNECTION AND AT THE PROPER ELEVATION BELOW GRADE, for this project. Prefabricated building subcontractor shall provide final hook up of the water from building to POC; sewer hookup to POC; and electrical sleeve from building panel to POC only. Final utility connections shall be by General Contractor or others. General contractor shall flush the water lines thoroughly before making final water connection to the building.

N. Concrete Slab, Required Independent Testing Laboratory Certification:

1. The prefabricated building slab special concrete technology claims to be water and urine resistant for life due to special additive technology. The building subcontractor must furnish a test certification of compliance from a national independent testing laboratory to support the claim for absorption resistance. The written report must state the concrete compressive strength (minimum of 7,000 PSI) and absorption resistance (not greater than 3%) per ASTM standard #C642 and #C39 respectively. Since this non-absorbency capability is so significant, the design/build subcontractor must provide a general certification of compliance.

O. Prefabricated Building:

1. The City of San Diego has evaluated several prefabricated building subcontractors. This bid requires such a building be used in lieu of site built traditional construction because of the unique built-in advantages guaranteed by the design/build firm. This technology includes many new innovations such as non-absorbent concrete; anti-microbial components to reduce health risks; built

in vandal resistance design; lowered maintenance and long term warranties that reduce owner risk for failure. The specifications below are written around this new technology.

P. Mat Engineered Concrete Building Slab/Foundation:

1. The mat engineered 8" thick slab/foundation shall be engineered and constructed to withstand the transportation weight of the building without cracking and to resist absorption from any liquids deposited on the surface. The concrete slab shall be constructed inside a steel angle curb, reinforced with dual mats (tension and compression,) and poured with a custom concrete formula with special admixtures to create a finished slab that is water proof for life.
2. Perimeter Steel Curb: 5/16" 50,000 kip steel 6" X 6" welded continuous angle.
3. Rebar Steel Mat: Two layers of 40,000 tensile steel rebar in varying sizes per engineers requirements, including a perimeter structural continuous grade beam design inside the exterior steel angle and at any other location deemed by the engineer of record as required for the use intended. In coastal locations or when required for corrosion resistance rebar shall be epoxy coated or fiberglass to resist permanent corrosion. Rebar mats shall be wire tied to code with a minimum of three turns of the wire and overlaps shall be minimum of 15 diameters for any connection.
4. All slab openings shall be surrounded with two layers of steel collars as required by the engineer of record to stop corner cracking and to reinforce the openings for lifting.
5. 1" thick by 3" minimum length threaded nuts shall be welded to the steel perimeter frame with continuous ¼" fillet welds. Nuts shall be welded to common steel plates per the engineer of records design and attached to the interior steel rebar structural mats.
6. The engineer of record shall provide lifting locations with sufficient reinforcement to allow the safe lifting of the entire designed weight of the structure with dual 1" steel bolts and washers at each lifting location. The number of lifting locations with each location fitted with removable ¾" 8" X 8" 50,000 tensile strength steel angles shall be determined by the engineer of record.
7. The slab shall be poured over a 1" thick steel plate table. The concrete mix design shall not exceed a 3" slump and shall be stinger vibrated for maximum consolidation. All floors shall slope to any floor drains within each room and if no floor drain is present the floor should not slope. The surface shall be a very light broom that should meet a coefficient of friction on the surface of .06. Birdbaths shall be cause for rejection.
8. The steel perimeter angle will remain below the concrete surface by nominal two inches to prevent corrosion. After the site concrete sidewalks are poured, the joint shall be full flow sealed with self-leveling grey urethane caulk to prevent penetration of water into the joint.
9. The building shall be designed for future relocation and shall provide protection for the lifting openings in the mat slab so that the threaded openings will be

available for future use if needed.

10. The building system shall be designed for placement on a general contractor site prepared class 2 building pad/and or footings as required by code, per the bid drawings, suitable for 1500 pounds soil bearing capacity minimum. Any soils survey (if necessary) shall be by owner or engineer of record.

Q. Exterior & Interior Walls

1. The 8" mat engineered concrete slab shall be cured a minimum of 7 days. Holes for expansion anchors shall be drilled into the mat engineered slab avoiding any grade beams or other structural reinforcement.
2. The exterior framed walls shall be 2" X 6" DF wood studs at 16" on center, nominally. Walls shall be anchored to pre-cast slab with expansion anchors at 48" on center, or per the engineer of record requirements.
3. Interior walls shall be 2" x 4" DF at 16" OC and 2" x 6" at all plumbing walls.
4. Walls shall be adhered to pre-cast floor with a permanent bonding sealant for waterproofing and protection from seepage.

R. Roof System

1. The roof structure shall be 2" x 6" DF #2 wood rafters at 24" on center with 5/8" OSB sheathing. The exterior roof finish shall be a 40 year composition shingle, color to be selected by Owner, over a 30 pound building paper, and structural 5/8" APA rated plywood. R-19 fiberglass batt insulation shall be installed between rafters.
2. The rake and fascia shall be 2" x 6" SPF, painted in a color determined by owner.
3. The roof design shall exceed compliance with local code at 20 PSF live load and wind load "C".
4. The roof shall be vented by the following: soffits shall be 5/16" fiber-cement panels, perforated for venting and the roof shall have JV14 vents.
5. The exterior truss and posts shall be 8" x 8" rough-sawn timber, painted in a color selected by owner.

S. Exterior Wall Finish, Masonry and Gable

1. Stucco: Shall be Stuc-o-Flex elastomeric acrylic stucco applied per manufacturer's recommendations. The stucco shall be painted with two layers of industrial high solids, enamel to a 4 mil thickness. Color selected by Owner.
2. Lap Siding: Shall be fiber reinforced cement board, 7" to the weather and painted with two layers of industrial high solids enamel to a 4 mil thickness. Color selected by owner.
3. Vertical Wood Grain Siding: Shall be fiber reinforced cement board above 8' (at gables) and painted with two layers of industrial high solids enamel to a 4 mil thickness. Color selected by owner.

T. Interior Finishes:

1. Office/Restroom: Walls shall be 5/8" Type X gypsum board, taped, light texture,

-
- primed and painted. Color to be selected by owner. There shall be rubber cove base on all interior walls, color to be selected by owner.
2. Utility Chase: Utility chase walls shall be 7/16" OSB, painted grey. There shall be Class-A rated FRP behind the mop sink.
 3. There shall be rubber cove base on all interior walls. Color to be selected by owner.
 4. Ceiling: Shall be 5/8" gypsum board, light texture, primed and painted. Color to be selected by owner.
 1. Unisex Restroom: Floors shall be 6" x 6" tan quarry tile with 6" x 5" base, set with epoxy thin-set and grey epoxy grout. Shower walls shall be 6" x 6" ceramic tile with epoxy grout to 84' AFF, nominal. Other restroom walls shall have 6" x 6" ceramic tile to 48" AFF. Wall tile shall be "White" with grey epoxy grout.
 2. Interior Casework (door and window trim): Shall be 1" x 4" stain-grade, color to be selected by owner.

U. Doors and Gates

1. Double Entry Door: Shall be 6' x 7' solid-core, stain-grade, raised wood panel colonial doors with butt hinges and "LCN" heavy duty #4040XP cush door closer.
2. Exterior Door: Shall be 3' x 7' insulated 16 gauge steel door set in 16 gauge steel frames with weather-stripping. Door shall include a 6" x 30" light with wire safety glass with butt hinges, painted in a color selected by owner.
3. All exterior doors shall have a tubular steel "C-shaped" stainless steel door pull with a Schlage B663R deadbolt, 626 finish, keyed one side with interior lever-lock to unlock only.
4. All interior doors shall be a solid core birch – uniform lite, with butt hinges and a Schlage D series lever lock in 626 finish. Color to be selected by owner. Utility chase door shall have louvers to facilitate venting for the HVAC equipment.
5. Windows: Windows shall be Milgard, single-hung, Low-E, Dual-glazing, aluminum finish (screens included.)
6. Exterior Shutters: Shall be pre-manufactured, painted in a color selected by owner.

V. Specialties

1. All specialty washroom equipment shall be commercial grade stainless steel fastened securely to walls with vandal resistant stainless steel screws as follows:
2. Toilet paper holder shall be a, covered, three-roll, 18 gauge stainless steel with lock.
3. Stainless steel grab bars to code shall be 1 1/4" minimum, installed at each accessible water closet.
4. Commercial grade plastic Title-24 compliant restroom door signs shall be installed at the restroom. Signs shall have raised pointed Braille tips.
5. Hand dryers shall be stainless steel World Slim-Dri #L-976-SS (see electrical)
6. Mirror: 24" x 36" mounted above lavatory
7. Soap Dispenser: Bobrick B-2111

-
8. Toilet Seat Cover Dispenser: Bobrick B-221
 9. Kitchen Cabinets and Countertop: Shall be custom, laminate type with upper and lower cabinets, color to be white.

W. Plumbing:

1. Building shall be fully compliant with all current codes:
 - a) All applicable State of California Building Codes. Latest edition applicable.
 - b) California Green Building Standards Code
2. GENERAL: All components and fabrications shall be designed to reduce life cycle maintenance, be compatible with current maintenance spare parts, and shall be listed in a spare parts/maintenance manual (two copies) delivered in utility chase of building.
3. WATER PIPING: shall be PEX, per code above grade and type K with silver solder below grade. All water piping shall be designed and constructed with high and low point drain fittings. All exposed utility chase piping shall be mounted on Uni-strut wall brackets with neoprene isolators, to code.
4. WATER PRESSURE GAUGE/VALVE COMBO: install three commercial grade industrial water pressure gauges, isolation ball valves, 150 PSI pressure regulator with wye strainer, 10 micron water filter with clear canister and check valve.
5. PLUMBING FAUCETS, ISOLATION VALVES AND ACTUATORS: All fixtures except those with flush valves shall be isolated with ball valves for each fixture, concealed antimicrobial impregnated flush handle valves, and metered push-button lavatory faucets.
6. DWV PIPING: DWV piping shall be concealed behind the wall. DWV piping shall be PVC DWV, solvent welded, for all concealed piping. A cast iron no hub DWV vent pipe with a cast iron roof mounted vandal cap vent shall be required, through the roof.
7. REMOVABLE PIPE TRAPS: Floor drain and waste traps shall be removable for maintenance. Floor drain shall be trapped behind the wall in the utility chase using a combination waste and vent system. Floor drains shall be increased two pipe sizes over standard to allow code use. Trap primer for floor drain shall be located in the utility chase All surface mounted utility chase piping shall be mounted on Uni-strut with plastic isolators, to code.
8. PLUMBING FIXTURES:
 - a. Water Closet: Tank- 1612 PARWH RH, Bowl- PF1603 PAWH 1.0 ADA
 - b. Lavatory: Zurn Z5340
 - c. Lavatory Faucet: Chicago 807E12VP-665 (metered)
 - d. Lavatory Trap Cover: Proflo PF201WH "White"
9. FLOOR GRATES: Removable 350 lbs per square foot pultruded fiberglass non-skid floor grates shall be installed over every opening in the utility chase for OSHA protection/compliance.
10. HOSE BIB: There shall be one Woodford 24B hose bib provided in the utility chase.

-
11. KITCHEN SINK: Elkay Dayton Model DDG125224
 12. KITCHEN SINK FAUCET: Shall be a Chicago 891-CP
 13. WATER HEATERS: Shall be a Steibel-Eltron DHC-E-12 with tempering valve servicing the lavatory, mop sink and shower.
 14. ACCESSIBLE SHOWER: Shower controls should meet all current accessibility codes including the shower seat and grab bars.

X. Electrical:

1. GENERAL: Electrical system and components shall be commercial grade or better and piping conduits shall be installed on commercial Uni-strut wall hangers. Interior electrical lighting fixtures in public areas shall provide lifetime manufacturer's warranty.
2. PANEL/WIRING: One 200 amp sub panel, Square "D" QO series, shall be mounted in the electrical room in the restroom building. All breakers shall be snap-in type, minimum 10,000 A.I.C. RMS (Sym) at 120/240 vac. Wiring shall be stranded copper wire #12 min in EMT piping with screw fittings.
3. PIPING: All piping in the utility chase shall be surface mounted to the walls with minimum of 2" fastener penetration. EMT conduit shall be compression type. Main panel shall maintain a 30" X 36" safety code required clear space, floor to 6' above finished floor. Piping in the storage room shall be concealed in the CMU walls.
4. EXTERIOR LIGHTING: Kenall, MS111EL, 18 watt LED, vandal resistant, high impact polycarbonate lens shall be installed (one in front and rear of each building).
5. INTERIOR LIGHTING: Shall be Lunera L7-G3-35K-24-75D-10V-RE 48" LED pendant fixtures shall be installed per plans. The utility chase shall have a 4' single-tube, 18 watt LED fixture with a single switch at door entries.
6. LIGHTING CONTROL: All interior lighting shall be controlled by an occupancy sensor. There shall be a bypass switch (for exterior lighting), so maintenance staff can check operation during daylight hours. A single roof-mounted photo cell shall control all exterior lighting.
7. ELECTRICAL OUTLETS: Commercial-grade duplex outlets shall be located throughout the office space to meet code and one (1) commercial-grade duplex outlet shall be provided in the utility chase adjacent to the panel.
8. DATA/PHONE PORTS: There shall be two cat 6 (one data, one phone) ports, located per plan, with wires terminating in the utility chase on a dedicated phone board. (final terminal block and wire connections by owner)
9. HAND DRYER: Shall be World Slim-Dri #L-976-SS.
10. RESTROOM EXHAUST FAN: There shall be one Broan QTXE1110 exhaust fan in each restroom ducted to the exterior.
11. HVAC: Shall be Bard-QTEC Q36HIBOZ packaged unit with no exterior condenser to be vandalized. There shall be a 7-day programmable thermostat mounted in the office space. There shall be exposed (painted) spiral ducting supplying office space and restroom.

12. SIGNAGE: There shall be lighted egress signage at each entry door per code.

Y. Shipping Protection

The building, while traveling over roads to the destination may encounter inclement weather or road grime that could require substantial cleaning when it arrives on site. The building shall be shrink-wrapped before transportation and sufficiently strong to arrive at the owner site intact for exterior finish protection. Materials removed on site shall be disposed of and recycled by building install staff.

Z. Certifications

Building shall be certified in compliance with the plan approval by the State of California, Department of Housing and shall be delivered with an applied insignia in compliance with all State regulations. The local building authority shall provide site inspections for the underground mechanical piping and final connections, footings, and access issues outside the building footprint. Prefabricated building subcontractor shall also furnish 5-year warranty, certifications for the concrete slab specification compliance, and maintenance manuals for the building and components.

END OF SECTION

GENERAL CONTRACTOR AND PUBLIC RESTROOM COMPANY RESPONSIBILITIES

PRC (PUBLIC RESTROOM COMPANY)

1. PUBLIC RESTROOM COMPANY (PRC) WILL PROVIDE FULL ARCHITECTURAL PLANS AND ENGINEERING CALCULATIONS, STAMPED BY STATE GOVERNING AGENCY SUITABLE FOR GENERAL CONTRACTOR TO FILE FOR REQUIRED BUILDING PERMIT.
2. PUBLIC RESTROOM COMPANY WILL FURNISH AND INSTALL UNDERGROUND UTILITIES (UNDER SLAB) EXTENDING 6 FEET (MAX) BEYOND THE BUILDING LINE, MIN. OF 24" - MAX OF 36" BELOW GRADE.

GENERAL PAD NOTES:

1. THE DIFFERENCE IN THE ELEVATION BETWEEN THE FINISH FLOOR OF RESTROOMS AND THE SIDEWALK OUTSIDE CAN NOT BE GREATER THAN 1/4" MAX.
2. THE STRUCTURAL DESIGN DETAILS HEREIN ARE SPECIFIC TO THE BUILDING SIZE AND MODULE CONFIGURATION SHOWN ON THE FLOOR PLANS OF THESE DRAWINGS.
3. PUBLIC RESTROOM COMPANY WILL PROVIDE LOCATION OF THIS BUILDING TO MEET ALL REQUIRED PROPERTY CODE SETBACKS PER LOCAL JURISDICTION.

GENERAL CONTRACTOR

1. GENERAL CONTRACTOR SHALL PREPARE BUILDING PAD PER DETAILS ON THIS SHEET AND **SCOPE OF WORK**.
2. GENERAL CONTRACTOR SHALL ATTACH SITE PLAN TO THE PUBLIC RESTROOM COMPANY'S DEPARTMENT OF HOUSING APPROVED DOCUMENTS AND FILE BUILDING PERMIT FOR PLUMBING PERMIT/INSPECTION UNDER BUILDING SLAB
3. GENERAL CONTRACTOR TO COORDINATE SEWER INVERT WITH THE PUBLIC RESTROOM COMPANY PRIOR TO BUILDING INSTALLATION, VERIFY & COORDINATE LOCATION OF EXISTING UTILITIES INCLUDING WATER METER SIZE, TYPE, AND LOCATION OF EXISTING UTILITIES COMING INTO THE BUILDING SUPPLIED BY PRC
4. GENERAL CONTRACTOR IS RESPONSIBLE FOR UTILITY CONNECTIONS AND WILL MAKE FINAL CONNECTIONS TO SEWER, WATER AND POWER.
5. GENERAL CONTRACTOR TO PREPARE SITE FOR MINIMUM ALLOWABLE SOIL BEARING PRESSURE OF 1,500psf, WITH SUB-GRADE COMPACTED TO 90% M.D.D.
6. GENERAL CONTRACTOR TO SUPPLY AND COMPACT THE AGGREGATE BASE AND STOCK PILE REQUIRED QUANTITY OF COARSE SAND WITHIN BUILDING PROXIMITY FOR USE BY PRC (ELEVATION OF BASE TO BE DETERMINED AND VERIFIED BY THE GENERAL CONTRACTOR) PAD ELEVATION MUST BE LEVEL WITHIN 2% (=/-) AND COMPLY WITH ALL PERMISSIBLE CODES OF ACCESSIBILITY AND SAFETY.
7. PROJECTS WITH FOOTINGS: GEN. CONTRACTOR MUST PROVIDE SLEEVES IN FOOTINGS ACCORDING TO UTILITY LOCATION PLAN AND PAD PLAN DIRECTION.

GENERAL SITE CONDITION LIABILITY NOTE:

PUBLIC RESTROOM COMPANY (PRC) PROVIDES BUILDING PAD PLAN DRAWINGS FOR PLACEMENT OF OUR BUILDING ON SITE PADS FOR **REFERENCE ONLY**. PRC DRAWINGS DO NOT INCORPORATE SITE DESIGN FOR LOCAL CODES, SOILS CONDITIONS, FOOTING REQUIREMENTS, AND/OR ANY OTHER CONTRIBUTING SITE FACTORS UP TO AN INCLUDING HIGH WATER TABLES. IT IS THE RESPONSIBILITY OF THE OWNER OR GENERAL CONTRACTOR TO PROVIDE A PROPER SITE DESIGN TO ACCOMMODATE THE BUILDING AS WELL AS PROVIDE PROPER SITE CRITERIA SO PRC MAY MODEL SEWER, WATER, AND ELECTRICAL DESIGNS WITHIN THE BUILDING. OUR BUILDING DESIGN INCLUDES AN 8" THICK REINFORCED CONCRETE SLAB AND ASSUMES FULL SLAB BEARING ON SOILS WITH A MINIMUM OF 1000 PSF BEARING CAPACITY. OUR BUILDING DESIGNS SURCHARGE THE SOIL BENEATH THE MAT SLAB AT APPROXIMATE 208 PSF. ANY BUILDING FOUNDATION IN ADDITION TO THE INTEGRAL MAT SLAB ARE SHOWN FOR **REFERENCE ONLY** AND SHOULD BE VERIFIED BY A LICENSED SOILS ENGINEER TO CONFORM WITH REQUIRED CODES. **PRC ASSUMES NO LIABILITY FOR THE OWNER OR GENERAL CONTRACTOR ACCEPTANCE OF THESE TYPICAL DRAWINGS WITHOUT VERIFICATION BY A LICENSED SOILS / FOUNDATION ENGINEER.**

REVISION BY:	REVISION DATE:	REVISION #
--------------	----------------	------------



COPYRIGHT 2013, PUBLIC RESTROOM COMPANY THIS MATERIAL IS THE EXCLUSIVE PROPERTY OF PUBLIC RESTROOM COMPANY AND SHALL NOT BE REPRODUCED, USED, OR DISCLOSED TO OTHERS EXCEPT AS AUTHORIZED BY THE WRITTEN PERMISSION OF PUBLIC RESTROOM COMPANY.

BUILDING TYPE:

RESTROOM, RECEPTION & OFFICES BUILDING

PROJECT:

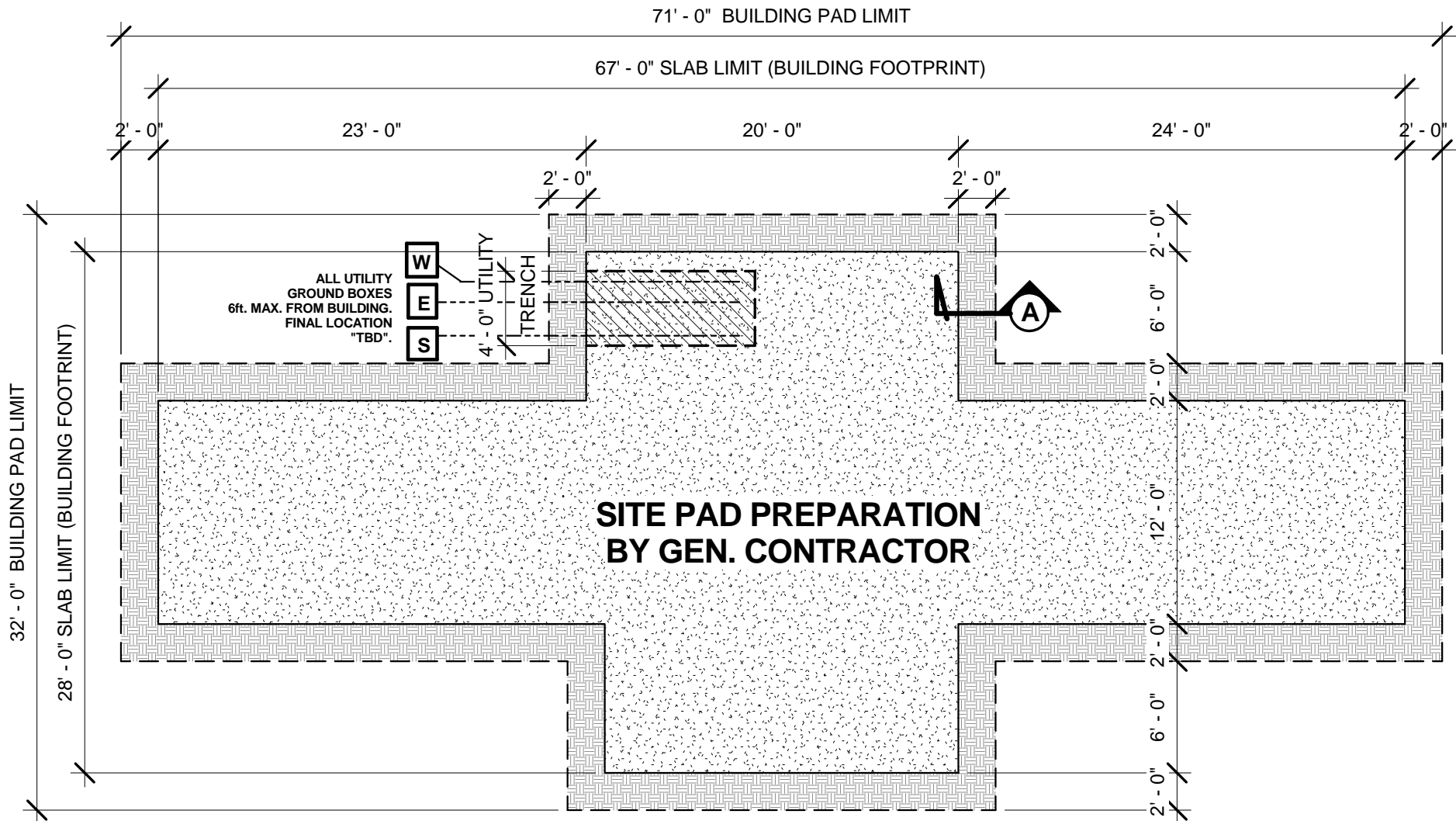
LOS PENASQUITOS RANGER STATION
SAN DIEGO, CA

MAXIMUM PERSON AN HOUR:

45 S

DATE: JUL. 14, 2014	DRAWN BY: EVE
PROJECT #: 6036	

RESPONSIBILITIES



① PAD PREPARATION PLAN
1/8" = 1'-0"

SEE GENERAL SITE CONDITION LIABILITY NOTE ON "PAD PREP RESPONSIBILITY" PAGE

REVISION BY:	REVISION DATE:	REVISION #
--------------	----------------	------------



COPYRIGHT 2013, PUBLIC RESTROOM COMPANY THIS MATERIAL IS THE EXCLUSIVE PROPERTY OF PUBLIC RESTROOM COMPANY AND SHALL NOT BE REPRODUCED, USED, OR DISCLOSED TO OTHERS EXCEPT AS AUTHORIZED BY THE WRITTEN PERMISSION OF PUBLIC RESTROOM COMPANY.

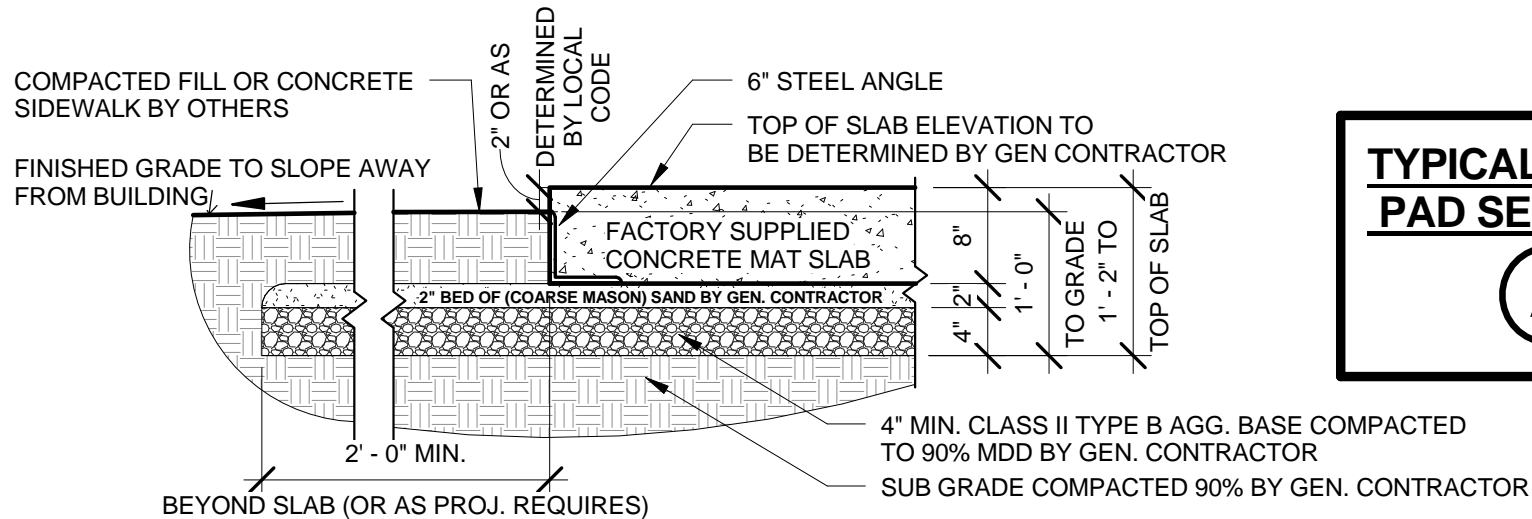
BUILDING TYPE:	RESTROOM, RECEPTION & OFFICES BUILDING
PROJECT:	LOS PENASQUITOS RANGER STATION SAN DIEGO, CA
MAXIMUM PERSON AN HOUR:	45 S

DATE:	JUL. 14, 2014	DRAWN BY:	EVE
PROJECT #:	6036		

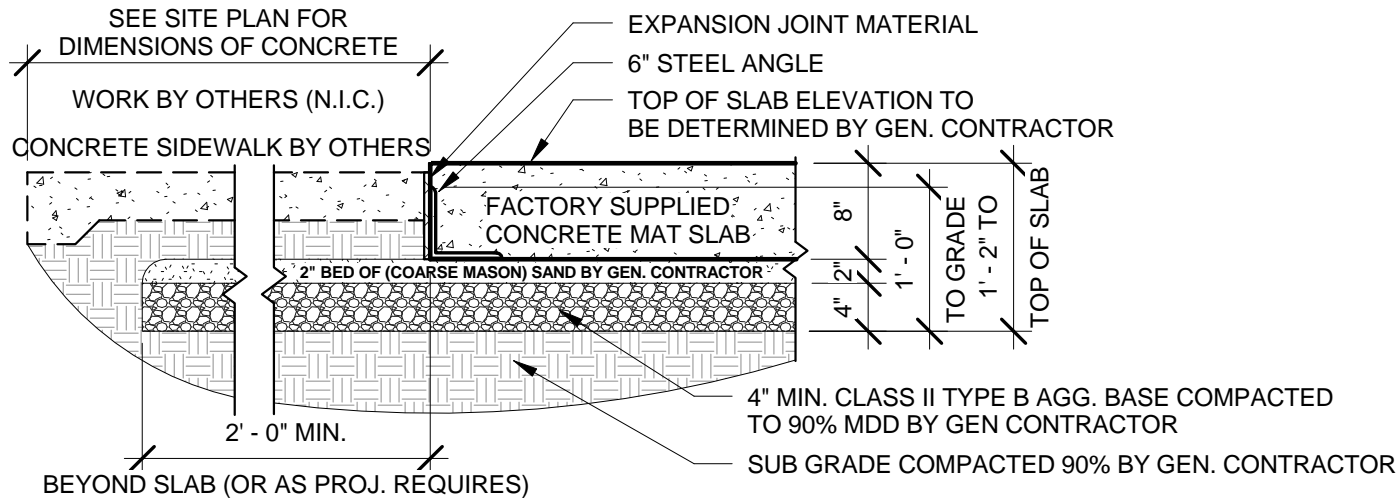
PAD PREP PLAN

**TYPICAL SUB-GRADE /
PAD SECTION DETAIL**

A



SECTION DETAIL FOR " NO SIDEWALK "



SECTION DETAIL FOR " WITH SIDEWALK "

SEE GENERAL SITE CONDITION LIABILITY NOTE ON "PAD PREP RESPONSIBILITY" PAGE

REVISION BY:	REVISION DATE:	REVISION #
--------------	----------------	------------



COPYRIGHT 2013, PUBLIC RESTROOM COMPANY THIS MATERIAL IS THE EXCLUSIVE PROPERTY OF PUBLIC RESTROOM COMPANY AND SHALL NOT BE REPRODUCED, USED, OR DISCLOSED TO OTHERS EXCEPT AS AUTHORIZED BY THE WRITTEN PERMISSION OF PUBLIC RESTROOM COMPANY.

BUILDING TYPE:	RESTROOM, RECEPTION & OFFICES BUILDING
PROJECT:	LOS PENASQUITOS RANGER STATION SAN DIEGO, CA
MAXIMUM PERSON AN HOUR:	45 S

DATE:	JUL. 14, 2014	DRAWN BY:	EVE
PROJECT #:	6036	PAD SECTION	

SUPPLEMENTARY SPECIAL PROVISIONS

APPENDICES

APPENDIX A

Site Development Permit No. 715163

RECORDING REQUESTED BY
CITY OF SAN DIEGO
DEVELOPMENT SERVICES
PERMIT INTAKE, MAIL STATION 501

PROJECT MANAGEMENT
PERMIT CLERK
MAIL STATION 501

THE ORIGINAL OF THIS DOCUMENT
WAS RECORDED ON MAY 16, 2014
DOCUMENT NUMBER 2014-0201227
Ernest J. Dronenburg, Jr., COUNTY RECORDER
SAN DIEGO COUNTY RECORDER'S OFFICE
TIME: 10:11 AM

SPACE ABOVE THIS LINE FOR RECORDER'S USE
INTERNAL ORDER NUMBER: WBS B-00619.02.06

SITE DEVELOPMENT PERMIT NO. 715163
LOS PENASQUITOS RANGER STATION, PROJECT NO. 201723
DEVELOPMENT SERVICES

This Site Development Permit No. 715163, is granted by the Development Services Department of the City of San Diego to CITY OF SAN DIEGO, Owner/Permittee, pursuant to San Diego Municipal Code [SDMC] section 143.0110. The 1.4-acre site is located at the northeast corner of Black Mountain Road and Mercy Road in the AR-1-1 Zone within the Mira Mesa Community Plan. The project site is legally described as: Township 14 South Range 3 West Sections 31 & 32 Portions & Rancho Los Penasquitos Portions.

Subject to the terms and conditions set forth in this Permit, permission is granted to CITY OF SAN DIEGO, Owner/Permittee to construct a 1,440-square-foot Ranger Station Building, parking and improvements described and identified by size, dimension, quantity, type, and location on the approved exhibits [Exhibit "A"] dated March 11, 2014, on file in the Development Services Department.

The project shall include:

- a. The construction of a 1,440-square-foot pre-fabricated trailer;
- b. Landscaping (planting, irrigation and landscape related improvements);
- c. Off-street parking;
- d. Pedestrian walkways, access gates, boulders, signage, peeler log fencing and lighting
- e. Public and private accessory improvements determined by the Development Services Department to be consistent with the land use and development standards for this site in accordance with the adopted community plan, the California Environmental Quality Act [CEQA] and the CEQA Guidelines, the City Engineer's requirements, zoning

regulations, conditions of this Permit, and any other applicable regulations of the SDMC.

STANDARD REQUIREMENTS:

1. This permit must be utilized within thirty-six (36) months after the date on which all rights of appeal have expired. If this permit is not utilized in accordance with Chapter 12, Article 6, Division 1 of the SDMC within the 36 month period, this permit shall be void unless an Extension of Time has been granted. Any such Extension of Time must meet all SDMC requirements and applicable guidelines in effect at the time the extension is considered by the appropriate decision maker. This permit must be utilized by March 25, 2017.
2. No permit for the construction, occupancy, or operation of any facility or improvement described herein shall be granted, nor shall any activity authorized by this Permit be conducted on the premises until:
 - a. The Owner/Permittee signs and returns the Permit to the Development Services Department; and
 - b. The Permit is recorded in the Office of the San Diego County Recorder.
3. While this Permit is in effect, the subject property shall be used only for the purposes and under the terms and conditions set forth in this Permit unless otherwise authorized by the appropriate City decision maker.
4. This Permit is a covenant running with the subject property and all of the requirements and conditions of this Permit and related documents shall be binding upon the Owner/Permittee and any successor(s) in interest.
5. The continued use of this Permit shall be subject to the regulations of this and any other applicable governmental agency.
6. Issuance of this Permit by the City of San Diego does not authorize the Owner/Permittee for this Permit to violate any Federal, State or City laws, ordinances, regulations or policies including, but not limited to, the Endangered Species Act of 1973 [ESA] and any amendments thereto (16 U.S.C. § 1531 et seq.).
7. The Owner/Permittee shall secure all necessary building permits. The Owner/Permittee is informed that to secure these permits, substantial building modifications and site improvements may be required to comply with applicable building, fire, mechanical, and plumbing codes, and State and Federal disability access laws.
8. Construction plans shall be in substantial conformity to Exhibit "A." Changes, modifications, or alterations to the construction plans are prohibited unless appropriate application(s) or amendment(s) to this Permit have been granted.

9. All of the conditions contained in this Permit have been considered and were determined-necessary to make the findings required for approval of this Permit. The Permit holder is required to comply with each and every condition in order to maintain the entitlements that are granted by this Permit.

If any condition of this Permit, on a legal challenge by the Owner/Permittee of this Permit, is found or held by a court of competent jurisdiction to be invalid, unenforceable, or unreasonable, this Permit shall be void. However, in such an event, the Owner/Permittee shall have the right, by paying applicable processing fees, to bring a request for a new permit without the "invalid" condition(s) back to the discretionary body which approved the Permit for a determination by that body as to whether all of the findings necessary for the issuance of the proposed permit can still be made in the absence of the "invalid" condition(s). Such hearing shall be a hearing de novo, and the discretionary body shall have the absolute right to approve, disapprove, or modify the proposed permit and the condition(s) contained therein.

ENGINEERING REQUIREMENTS:

10. A portion of this project has been identified as being within the floodway of a Special Flood Hazard Area (Los Penasquitos Creek Panel 06073C1334G effective May 16, 2012). No increases to base-flood elevations are allowed.

11. Fill placed in the Special Flood Hazard Area for the purpose of creating a building pad must be compacted to 95% of the maximum density obtainable with the Standard Proctor Test Fill method issued by the American Society for Testing and Materials (ASTM Standard D-698). Granular fill slopes must have adequate protection for a minimum flood water velocity of five feet per second.

12. The owner/developer shall denote on the improvement plans "Subject to Inundation" all areas lower than the base flood elevation plus 2 feet.

13. The City Engineer ensure shall ensure that the final construction drawings incorporate and show the type and location of all post-construction Best Management Practices (BMP's), in accordance with the approved Water Quality Technical Report, satisfactory to the City Engineer.

14. The City Engineer shall ensure that grading in the regulatory floodway does not result in an increase in surface elevations. All grading shall conform to requirements of the City of San Diego Municipal Code in a manner satisfactory to the City Engineer.

15. The drainage system proposed for this development is public and subject to approval by the City Engineer.

16. Development of this project shall comply with all requirements of State Water Resources Control Board (SWRCB) Order No. 2009-009 DWQ and the Municipal Storm Water Permit, Order No. 2009-009(NPDES General Permit No. CAS000002 and CAS0108758), Waste Discharge Requirements for Discharges of Storm Water Runoff Associated With Construction Activity. In accordance with said permit, a Storm Water Pollution Prevention Plan (SWPPP) and

a Monitoring Program Plan shall be implemented concurrently with the commencement of grading activities, and a Notice of Intent (NOI) shall be filed with the SWRCB.

17. A copy of the acknowledgment from the SWRCB that an NOI has been received for this project shall be filed with the City of San Diego when received; further, a copy of the completed NOI from the SWRCB showing the permit number for this project shall be filed with the City of San Diego when received. In addition, the owner(s) and subsequent owner(s) of any portion of the property covered by this grading permit and by SWRCB Order No. 2009-009 DWQ, and any subsequent amendments thereto, shall comply with special provisions as set forth in SWRCB Order No. 2009-009 DWQ.

18. The installation of fences in the regulatory floodway is subject to the approval of the City Engineer, which fencing shall not unreasonably impede the passage of floodwaters.

LANDSCAPE REQUIREMENTS:

19. Prior to approval of 100% completion of construction documents for Grading and Improvements, the Permittee Department shall ensure said documents to be prepared in accordance with the Land Development Code - Landscape Regulations, Landscape Standards, and Biology Guidelines to include the revegetation and hydroseeding of all disturbed land and brush management adjacent to structures within 100-ft of native/naturalized vegetation. Construction Documents shall be in substantial conformance to this permit (including Environmental conditions) and Exhibit 'A,' on file in the Office of the Development Services Department.

20. Prior to issuance of any construction permits for structures (including shell), complete landscape and irrigation construction documents consistent with the Landscape Standards and Biology Guidelines shall be submitted by the Permittee to the Development Services Department for approval. The construction documents shall be in substantial conformance with Exhibit 'A,' Landscape Development Plan and Brush Management Program, on file in the Office of the Development Services Department.

21. In the event that a foundation only permit is requested by the Permittee Department, a site plan or staking layout plan shall be submitted identifying all landscape areas consistent with Exhibit 'A,' Landscape Development Plan, on file in the Office of the Development Services Department. These landscape areas shall be clearly identified with a distinct symbol, noted with dimensions and labeled as 'landscaping area.'

22. The Permittee Department shall be responsible for the establishment and maintenance of all landscape improvements and brush management shown on the approved plans, consistent with the Landscape Standards and Exhibit 'A.'

23. If any required landscape (including existing or new plantings, hardscape, landscape features, etc.) indicated on the approved construction document plans is damaged or removed during demolition or construction, it shall be repaired and/or replaced in kind and equivalent size

per the approved documents to the satisfaction of the Development Services Department Mitigation Monitoring Coordination staff within 30 days of damage.

BRUSH MANAGEMENT PROGRAM REQUIREMENTS:

24. The Permittee Department shall implement the following requirements in accordance with the Brush Management Program shown on Exhibit 'A' Landscape Development Plan on file in the Office of the Development Services Department.

25. The Brush Management Program shall consist of a modified Zone One ranging from 60 feet to 80 feet with no Zone Two. Brush management shall extend out from the structure towards the native/naturalized vegetation as shown on Exhibit 'A' and consistent with the Brush Management Regulations of the Land Development Code, section 142.0412. No brush management activities shall extend into the Los Penasquitos Canyon Preserve.

26. Within Zone One, combustible accessory structures (including, but not limited to decks, trellises, gazebos, etc.) shall not be permitted while non-combustible, one-hour fire-rated, and/or "heavy timber" accessory structures may be approved within the designated Zone One area subject to Fire Marshal's approval.

27. The Brush Management Program shall be maintained at all times in accordance with the City of San Diego's Landscape Standards.

MULTIPLE SPECIES CONSERVATION PROGRAM:

28. Prior to issuance of any notice to proceed, DSD/ LDR, and/or MSCP staff shall verify the Applicant has accurately represented the project's design in or on the Construction Documents in conformance with the associated discretionary permit conditions and Exhibit "A", and also the City's Multi-Species Conservation Program (MSCP) Multi-Habitat Planning Area (MHPA) Land Use Adjacency Guidelines. The applicant shall provide an implementing plan and include references on/in CD's of the following:

A. Grading/Land Development/MHPA Boundaries - MHPA boundaries on-site and adjacent properties shall be delineated on the CDs. DSD Planning and/or MSCP staff shall ensure that all grading is included within the development footprint, specifically disturbance and development adjacent to the MHPA.

B. Drainage - All new and proposed parking lots and developed areas adjacent to the MHPA shall be designed so they do not drain directly into the MHPA. All developed and paved areas must prevent the release of toxins, chemicals, petroleum products, exotic plant materials prior to release by incorporating the use of filtration devices, planted swales and/or planted detention/desiltation basins, or other approved permanent methods that are designed to minimize negative impacts, such as excessive water and toxins into the ecosystems of the MHPA.

C. **Toxics/Project Staging Areas/Equipment Storage** - Projects that use chemicals or generate by-products such as pesticides, herbicides, and animal waste, and other substances that are potentially toxic or impactful to native habitats/flora/fauna (including water) shall incorporate measures to reduce impacts caused by the application and/or drainage of such materials into the MHPA. No trash, oil, parking, or other construction/development-related material/activities shall be allowed outside any approved construction limits.

D. **Lighting** - Lighting within or adjacent to the MHPA shall be directed away/shielded from the MHPA and be subject to City Outdoor Lighting Regulations per LDC Section 142.0740.

E. **Barriers** - New development adjacent to the MHPA shall be required to provide barriers (e.g., non-invasive vegetation; rocks/boulders; 6-foot high, vinyl-coated chain link or equivalent fences/walls; and/or signage) along the MHPA boundaries to direct public access to appropriate locations, reduce domestic animal predation, protect wildlife in the preserve, and provide adequate noise reduction where needed.

F. **Invasives**- No invasive non-native plant species shall be introduced into areas within or adjacent to the MHPA.

G. **Brush Management** –New development adjacent to the MHPA shall be set back from the MHPA to provide required Brush Management Zone 1 area on the building pad outside of the MHPA. Zone 2 may be located within the MHPA. Brush management zones shall be consistent with Exhibit “A and the amount of woody vegetation clearing shall not exceed 50 percent of the vegetation existing when the initial clearing is done and vegetation clearing shall be prohibited within native coastal sage scrub and chaparral habitats from March 1-August 15 except where the City ADD/MMC has documented the thinning would be consist with the City’s MSCP Subarea Plan. Existing and approved projects are subject to current requirements of Municipal Code Section 142.0412.

H. **Noise** - Due to the site's location adjacent to or within the MHPA where the Qualified Biologist has identified potential nesting habitat for listed avian species, construction noise that exceeds the maximum levels allowed shall be avoided during the breeding seasons for the following: California Gnatcatcher (3/1-8/15); Least Bell's vireo (3/15-9/15). If construction is proposed during the breeding season for the species, U.S. Fish and Wildlife Service protocol surveys shall be required in order to determine species presence/absence. If protocol surveys are not conducted in suitable habitat during the breeding season for the aforementioned listed species, presence shall be assumed with implementation of noise attenuation and biological monitoring.

PLANNING/DESIGN REQUIREMENTS:

29. All signs associated with this development shall be consistent with the sign criteria established by the City-wide Sign Regulations.

30. All private outdoor lighting shall be shaded and adjusted to fall on the same premises where such lights are located and in accordance with the applicable regulations in the SDMC.

TRANSPORTATION REQUIREMENTS

31. A minimum of 4 automobile spaces (11 provided) (including 1 van accessible space), are required by the Land Development Code. All on-site parking stalls and aisle widths shall be in compliance with requirements of the City's Land Development Code and shall not be converted and/or utilized for any other purpose, unless otherwise authorized in writing by the Development Services Director.

32. Prior to the issuance of any construction permit, the Owner/Permittee shall reconstruct the existing 44' wide driveway to a maximum of 30' wide driveway, satisfactory to the City Engineer.

33. The applicant shall coordinate this project with the approved Casa Mira View project in regard to the widening of Black Mountain Road from four lanes to six lanes between Mercy Road and Los Penasquitos Creek Bridge.

34. The applicant shall maintain a 25' visibility triangle area along the property line at the northeast corner of the intersection of Black Mountain Road and Mercy Road. No obstacles higher than 36" shall be located within this visibility area e.g. walls, signs, hardscape, landscape, shrubs etc.

35. The applicant shall maintain a 10' visibility triangle area along the project's property line on both sides of the driveway on Black Mountain Road. No obstacles higher than 36" shall be located within this visibility area e.g. walls, signs, hardscape, landscape, shrubs etc.

PUBLIC UTILITIES DEPARTMENT REQUIREMENTS:

36. Prior to the issuance of any building permits, the Owner/Permittee shall apply for a plumbing permit for the installation of appropriate private back flow prevention device(s), on each water service (domestic, fire and irrigation), in a manner satisfactory to the Director of Public Utilities and the City Engineer. BFPDs shall be located above ground on private property, in line with the service and immediately adjacent to the right-of-way.

37. All proposed private water and sewer facilities located within a single lot are to be designed to meet the requirements of the California Uniform Plumbing Code and will be reviewed as part of the building permit plan check.

38. Prior to the issuance of any building permits, the Owner/Permittee shall assure, by permit and bond, the design and construction of all public water and sewer facilities are to be in accordance with established criteria in the most current City of San Diego Water and Sewer Design Guides.

39. No trees or shrubs exceeding three feet in height at maturity shall be installed within five feet of any water and ten feet of any sewer facilities.

40. No boulders shall be installed within five feet of the existing 36-inch and 42-inch water mains.

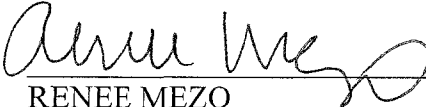
41. Prior to issuance of any building permits, the Owner/Permittee shall obtain Encroachment and Maintenance Removal Agreement (EMRA) for proposed improvements of any kind, including utilities, medians, landscaping, enriched paving, curb, gutter and sidewalk, and electrical conduits to be installed within the public right-of-way.

INFORMATION ONLY:

- The issuance of this discretionary use permit alone does not allow the immediate commencement or continued operation of the proposed use on site. The operation allowed by this discretionary use permit may only begin or recommence after all conditions listed on this permit are fully completed and all required ministerial permits have been issued and received final inspection.
- Any party on whom fees, dedications, reservations, or other exactions have been imposed as conditions of approval of this Permit, may protest the imposition within ninety days of the approval of this development permit by filing a written protest with the City Clerk pursuant to California Government Code-section 66020.
- This development may be subject to impact fees at the time of construction permit issuance.

APPROVED by the Development Services Department of the City of San Diego on March 11, 2014 and CM-6399.


AUTHENTICATED BY THE CITY OF SAN DIEGO DEVELOPMENT SERVICES
DEPARTMENT


RENEE MEZO
Development Project Manager

**NOTE: Notary acknowledgment
must be attached per Civil Code
section 1189 et seq.**

The undersigned Owner/Permittee, by execution hereof, agrees to each and every condition of this Permit and promises to perform each and every obligation of Owner/Permittee hereunder.

CITY OF SAN DIEGO
Owner/Permittee

By 
NAME JASON GRANT
TITLE PROJECT MANAGER

**NOTE: Notary acknowledgments
must be attached per Civil Code
section 1189 et seq.**

CALIFORNIA ALL-PURPOSE ACKNOWLEDGMENT
CIVIL CODE § 1189

State of California

County of SAN DIEGO }

On May 14, 2014 before me, VIVIAN M. GIES, Notary Public
Date Here Insert Name and Title of the Officer

personally appeared RENEE MEZO, JASON GRANT
Name(s) of Signer(s)

who proved to me on the basis of satisfactory evidence to be the person(s) whose name(s) is/are subscribed to the within instrument and acknowledged to me that ~~he/she~~ they executed the same in ~~his/her~~ their authorized capacity(ies), and that by ~~his/her~~ their signature(s) on the instrument the person(s), or the entity upon behalf of which the person(s) acted, executed the instrument.

I certify under PENALTY OF PERJURY under the laws of the State of California that the foregoing paragraph is true and correct.

WITNESS my hand and official seal.

Signature: Vivian M. Gies
Signature of Notary Public



Place Notary Seal Above

OPTIONAL

Though this section is optional, completing this information can deter alteration of the document or fraudulent reattachment of this form to an unintended document.

Description of Attached Document

Title or Type of Document: _____ Document Date: _____

Number of Pages: _____ Signer(s) Other Than Named Above: _____

Capacity(ies) Claimed by Signer(s)

Signer's Name: _____

- Corporate Officer — Title(s): _____
- Partner — Limited General
- Individual Attorney in Fact
- Trustee Guardian or Conservator
- Other: _____

Signer's Name: _____

- Corporate Officer — Title(s): _____
- Partner — Limited General
- Individual Attorney in Fact
- Trustee Guardian or Conservator
- Other: _____

Signer Is Representing: _____

Signer Is Representing: _____

DEVELOPMENT SERVICES DEPARTMENT RESOLUTION NO. CM-6399
SITE DEVELOPMENT PERMIT NO. 715163
LOS PENAQUITOS RANGER STATION, PROJECT NO. 201723

WHEREAS, the CITY OF SAN DIEGO, Owner/Permittee, filed an application for a permit to construct a Ranger Station building at the northeast corner of Black Mountain Road and Mercy Road pursuant to San Diego Municipal Code [SDMC] section 143.0110 (as described in and by reference to the approved Exhibits "A" and corresponding conditions of approval for the associated Permit No. 715163) on portions of a 1.4-acre site;

WHEREAS, the project site is located at the northeast corner of Black Mountain Road and Mercy Road in the AR-1-1 Zone within the Mira Mesa Community Plan and the Los Penasquitos Canyon Preserve Master Plan;

WHEREAS, the project site is legally described as Township 14 South Range 3, West Sections 31 & 32 Portions & Rancho Los Penasquitos Portions;

WHEREAS, on March 11, 2014, the Development Services Department of the City of San Diego considered Site Development Permit No. 715163 pursuant to the Land Development Code of the City of San Diego;

WHEREAS, on March 10, 2014 the City of San Diego, as Lead Agency, through the Development Services Department, made and issued an Environmental Determination that the project is exempt from the California Environmental Quality Act (CEQA) (Public Resources Code section 21000 et. seq.) under CEQA Guideline Sections 15303 [New Construction] and 15304(c & f) [Minor Alterations to Land] and there was no appeal of the Environmental Determination filed within the time period provided by San Diego Municipal Code Section 112.0520; NOW, THEREFORE,

BE IT RESOLVED by the Development Services Department of the City of San Diego as follows:

That the Development Services Department adopts the following written Findings, dated March 11, 2014.

FINDINGS:

Site Development Permit Findings - Section 126.0504

1. The proposed development will not adversely affect the applicable land use plan.

The project proposes to construct a ranger station building and associated improvements at the northeast corner of Black Mountain Road and Mercy Road in the AR-1-1 Zone within the Mira Mesa Community Plan and the Los Penasquitos Canyon Preserve Master Plan. The project site contains Environmentally Sensitive Lands (ESL), in the form of a

Special Flood Hazard Area and Sensitive Biological Resources. Portions of the site are also within the Multiple Habitat Planning Area (MHPA).

The subject property is located within the Mira Mesa Community Plan (MMCP) and is designated for "Open Space" use. The community plan allows for low-intensity recreational, scientific and education uses within open space areas, provided they are designed to avoid damaging impacts to sensitive resources. The ranger station complies with this regulation. The Los Penasquitos Canyon Preserve Master Plan calls for a permanent ranger force to oversee all activities. The plan also identifies that no encroachment shall be permitted into wetlands and the preservation of riparian areas with a buffer of adjoining upland habitat. The project site is virtually a flat pad covered with bark mulch and is occupied by disturbed habitat. A small creek flows east of the site and is bordered by upland habitat on the west. A buffer would be provided between the project and the wetland vegetation in the creek that ranges in width from 2 to 90 feet. The buffer would be planted with native landscaping, and a Peeler log fence would be installed along the edge of the development to help protect the riparian habitat.

The entire project site, with the exception of the ranger station building will consist of decomposed granite or native landscaping-pervious surfaces that minimize runoff from the site. The ground surface of the site will be sloped to the west so that runoff drains away from the creek. The landscaping between the parking areas as well as implementing the Best Management practices would intercept and filter it. The proposed ranger station, providing the buffer, landscaped areas and directing run off away from the creek as part of this project would not adversely affect the applicable land use plans.

2. The proposed development will not be detrimental to the public health, safety, and welfare.

The project proposes to construct a ranger station building and associated improvements at the northeast corner of Black Mountain Road and Mercy Road in the AR-1-1 Zone within the Mira Mesa Community Plan and the Los Penasquitos Canyon Preserve Master Plan. The project site contains Environmentally Sensitive Lands (ESL), in the form of a Special Flood Hazard Area and Sensitive Biological Resources. Portions of the site are also within the Multiple Habitat Planning Area (MHPA).

Development Services Staff made an environmental determination that the project is exempt from the California Environmental Quality Act (CEQA) (Public Resources Code section 21000 et. seq.) under CEQA Guideline Sections 15303 [New Construction] and 15304 (c & f) [Minor Alterations to Land].

All Uniform Building, Fire, Plumbing, Electrical and Mechanical Code regulations and permitting requirements governing the construction and continued operation of the development apply to this project. Therefore, the project as proposed would not be detrimental to the public health, safety and welfare.

3. **The proposed development will comply with the applicable regulations of the Land Development Code, including any allowable deviations pursuant to the Land Development Code.**

The project proposes to construct a ranger station building and associated improvements at the northeast corner of Black Mountain Road and Mercy Road in the AR-1-1 Zone within the Mira Mesa Community Plan and the Los Penasquitos Canyon Preserve Master Plan. The project site contains Environmentally Sensitive Lands (ESL), in the form of a Special Flood Hazard Area and Sensitive Biological Resources. Portions of the site are also within the Multiple Habitat Planning Area (MHPA).

Portions of the site are located within the floodway of a Special Flood Hazard Area (Los Penasquitos Creek Panel). No increases to base-flood elevations are allowed and none are proposed with the ranger station sited outside of the floodway. Conditions applied to the permit ensure compliance with all San Diego Municipal Code and regional requirements related to the Special Flood Hazard Area.

The project is consistent with the Land Development Code in regards to landscape, parking and site design. The proposed project does not require any deviations from the applicable regulations; therefore, the project as conditioned complies with the Land Development Code.

Supplemental Findings--Environmentally Sensitive Lands

1. **The site is physically suitable for the design and siting of the proposed development and the development will result in minimum disturbance to environmentally sensitive lands.**

The project proposes to construct a ranger station building and associated improvements at the northeast corner of Black Mountain Road and Mercy Road in the AR-1-1 Zone within the Mira Mesa Community Plan and the Los Penasquitos Canyon Preserve Master Plan. The project site contains Environmentally Sensitive Lands (ESL), in the form of a Special Flood Hazard Area and Sensitive Biological Resources. Portions of the site are also within the Multiple Habitat Planning Area (MHPA).

The project site is virtually a flat pad covered with bark mulch and is occupied by disturbed habitat. A small creek flows east of the site and is bordered by upland habitat on the west. A buffer would be provided between the project and the wetland vegetation in the creek that ranges in width from 2 to 90 feet. The buffer would be planted with native landscaping, and a Peeler log fence would be installed along the edge of the development to help protect the riparian habitat. A portion of the access road and driveway to the ranger station is located within the MHPA. These are allowable uses in the MHPA.

Portions of the site are located within the floodway of a Special Flood Hazard Area (Los Penasquitos Creek Panel). No increases to base-flood elevations are allowed and none

are proposed with the ranger station sited outside of the floodway. Conditions applied to the permit ensure compliance with all San Diego Municipal Code and regional requirements related to the Special Flood Hazard Area. Therefore, the site is physically suitable for the design and siting of the proposed development and the development will result in minimum disturbance to environmentally sensitive lands.

2. The proposed development will minimize the alteration of natural land forms and will not result in undue risk from geologic and erosional forces, flood hazards, or fire hazards.

The project proposes to construct a ranger station building and associated improvements at the northeast corner of Black Mountain Road and Mercy Road in the AR-1-1 Zone within the Mira Mesa Community Plan and the Los Penasquitos Canyon Preserve Master Plan. The project site contains Environmentally Sensitive Lands (ESL), in the form of a Special Flood Hazard Area and Sensitive Biological Resources. Portions of the site are also within the Multiple Habitat Planning Area (MHPA).

City staff has made and issued an Environmental Determination that the project is exempt from the California Environmental Quality Act (CEQA) (Public Resources Code section 21000 et. seq.) under CEQA Guideline Sections 15303 [New Construction] and 15304 (c & f) [Minor Alterations to Land], therefore no impacts to the area of geology and proper engineering design of the project will be verified at the construction stage by City Geology staff and the City Engineer.

Portions of the site are located within the floodway of a Special Flood Hazard Area (Los Penasquitos Creek Panel). No increases to base-flood elevations are allowed and none are proposed with the ranger station sited outside of the floodway. Conditions applied to the permit ensure compliance with all San Diego Municipal Code and regional requirements related to the Special Flood Hazard Area. The project adheres to all requirements regarding erosion control. Brush management activities are located within the grading limits and do not extend into the Los Penasquitos Canyon Preserve. Therefore, the proposed development will minimize the alteration of natural land forms and will not result in undue risk from geologic and erosional forces, flood hazards, or fire hazards.

3. The proposed development will be sited and designed to prevent adverse impacts on any adjacent environmentally sensitive lands.

The project proposes to construct a ranger station building and associated improvements at the northeast corner of Black Mountain Road and Mercy Road in the AR-1-1 Zone within the Mira Mesa Community Plan and the Los Penasquitos Canyon Preserve Master Plan. The project site contains Environmentally Sensitive Lands (ESL), in the form of a Special Flood Hazard Area and Sensitive Biological Resources. Portions of the site are also within the Multiple Habitat Planning Area (MHPA).

The project site is virtually a flat pad covered with bark mulch and is occupied by disturbed habitat. A small creek flows east of the site and is bordered by upland habitat

on the west. A buffer would be provided between the project and the wetland vegetation in the creek that ranges in width from 2 to 90 feet. The buffer would be planted with native landscaping, and a Peeler log fence would be installed along the edge of the development to help protect the riparian habitat. A portion of the access road and driveway to the ranger station is located within the MHPA. These are allowable uses in the MHPA.

Portions of the site are located within the floodway of a Special Flood Hazard Area (Los Penasquitos Creek Panel). No increases to base-flood elevations are allowed and none are proposed with the ranger station sited outside of the floodway. Conditions applied to the permit ensure compliance with all San Diego Municipal Code and regional requirements related to the Special Flood Hazard Area and erosion control to protect the adjacent Los Penasquitos preserve and creek. As proposed, the development is designed to prevent adverse impacts on any adjacent environmentally sensitive lands.

4. The proposed development will be consistent with the City of San Diego's Multiple Species Conservation Program (MSCP) Subarea Plan.

The project proposes to construct a ranger station building and associated improvements at the northeast corner of Black Mountain Road and Mercy Road in the AR-1-1 Zone within the Mira Mesa Community Plan and the Los Penasquitos Canyon Preserve Master Plan. The project site contains Environmentally Sensitive Lands (ESL), in the form of a Special Flood Hazard Area and Sensitive Biological Resources. Portions of the site are also within the Multiple Habitat Planning Area (MHPA).

The project site is virtually a flat pad covered with bark mulch and is occupied by disturbed habitat. A small creek flows east of the site and is bordered by upland habitat on the west. A buffer would be provided between the project and the wetland vegetation in the creek that ranges in width from 2 to 90 feet. The buffer would be planted with native landscaping, and a Peeler log fence would be installed along the edge of the development to help protect the riparian habitat. A portion of the access road and driveway to the ranger station is located within the MHPA. These are allowable uses in the MHPA.

Implementation of the proposed permit conditions would provide conformance with the City's Multi-Species Conservation Program (MSCP) Multi-Habitat Planning Area (MHPA) Land Use Adjacency Guidelines.

5. The proposed development will not contribute to the erosion of public beaches or adversely impact local shoreline sand supply.

The project proposes to construct a ranger station building and associated improvements at the northeast corner of Black Mountain Road and Mercy Road in the AR-1-1 Zone within the Mira Mesa Community Plan and the Los Penasquitos Canyon Preserve Master Plan. The project site contains Environmentally Sensitive Lands (ESL), in the form of a

Special Flood Hazard Area and Sensitive Biological Resources. Portions of the site are also within the Multiple Habitat Planning Area (MHPA).

The property is over eight miles from the San Diego Bay and the Pacific Ocean and does not have any direct impacts. The adjacent Los Penasquitos Creek continues to the Los Penasquitos Lagoon which ultimately outlets to the Pacific Ocean. The entire project site, with the exceptions of the ranger station building will consist of decomposed granite or native landscaping-pervious surfaces that minimize runoff from the site. The ground surface of the site will be sloped to the west so that runoff drains away from the creek. The landscaping between the parking areas as well as implementing the Best Management practices would intercept and filter any run off. Therefore, the proposed development will not contribute to the erosion of public beaches or adversely impact local shoreline sand supply.

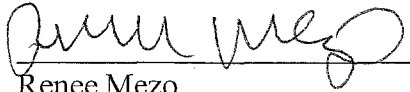
6. The nature and extent of mitigation required as a condition of the permit is reasonably related to, and calculated to alleviate, negative impacts created by the proposed development.

The project proposes to construct a ranger station building and associated improvements at the northeast corner of Black Mountain Road and Mercy Road in the AR-1-1 Zone within the Mira Mesa Community Plan and the Los Penasquitos Canyon Preserve Master Plan. The project site contains Environmentally Sensitive Lands (ESL), in the form of a Special Flood Hazard Area and Sensitive Biological Resources. Portions of the site are also within the Multiple Habitat Planning Area (MHPA).

City staff has made and issued an Environmental Determination that the project is exempt from the California Environmental Quality Act (CEQA) (Public Resources Code section 21000 et. seq.) under CEQA Guideline Sections 15303 [New Construction] and 15304 (c & f) [Minor Alterations to Land].

Implementation of the proposed permit conditions would provide conformance with the City's Multi-Species Conservation Program (MSCP) Multi-Habitat Planning Area (MHPA) Land Use Adjacency Guidelines as well as all San Diego Municipal Code and regional requirements related to the Special Flood Hazard Area and erosion control to protect the adjacent Los Penasquitos preserve and creek. Therefore, the nature and extent of mitigation required as a condition of the permit is reasonably related to, and calculated to alleviate, negative impacts created by the proposed development.

BE IT FURTHER RESOLVED that, based on the findings hereinbefore adopted by the Development Services Department, Site Development Permit No. 715163 is hereby GRANTED by the Development Services Department to the referenced Owner/Permittee, in the form, exhibits, terms and conditions as set forth in Permit No. 715163, a copy of which is attached hereto and made a part hereof.



Renee Mezo
Development Project Manager
Development Services


Adopted on: March 11, 2014

WBS No. B-00619.02.06

APPENDIX B
SDG&E Permitted Work

Submitted to Applicant by
AMY HAYASHI



A  Sempra Energy utility™

General Conditions for Underground
Electric Distribution, Service Systems
Construction and Gas Trench

PROJECT WORK ORDER NUMBER AND PROJECT TITLE

2963790

CONSTRUCTION / TRENCH INSPECTIONS

PH: 760.432.5805

MARK-OUT 1-800-227-2600

NOTICE

**ALL WORK DONE PURSUANT TO THE ATTACHED MUST BE
ACCOMPLISHED IN COMPLIANCE WITH THE FEDERAL AND
STATE OF CALIFORNIA OCCUPANTIONAL SAFETY AND
HEALTH ACT.**

ONE COPY TO BE KEPT AT PROJECT SITE

- 1.0 SCOPE OF GENERAL CONDITIONS
- 2.0 DEFINITION OF TERMS
- 3.0 CONTRACT DOCUMENTS
- 4.0 INSPECTION OF WORK AND INTERPRETATION OF CONTRACT DOCUMENTS
- 5.0 SDG&E'S RIGHT TO DO WORK
- 6.0 SCHEDULING
- 7.0 SURVEY AND EASEMENTS
- 8.0 PAVEMENT REMOVAL AND REPLACEMENT
- 9.0 EXCAVATIONS
- 10.0 INSTALLATION OF CONDUIT
- 11.0 BACKFILL AND COMPACTION
- 12.0 SUBSTRUCTURES
- 13.0 CABLE INSTALLATIONS (NEW)
- 14.0 SAFEGUARDS
- 15.0 CHANGES IN WORK
- 16.0 PHASING FOR ENERGIZING
- 17.0 DRAWINGS AND PRINTS
- 18.0 RELATIONSHIP OF PARTIES
- 19.0 FINAL ACCEPTANCE
- 20.0 WARRANTY
- 21.0 PERMITS AND LICENSES
- 22.0 INDEMNITY
- 23.0 PUBLIC RELATIONS
- 24.0 UNION LABOR IF APPLICABLE
- 25.0 RISK OF LOSS OR DAMAGE
- 26.0 NOTICE OR DEMAND

1.0 SCOPE OF GENERAL CONDITIONS

These General Conditions apply to new underground electric facilities and gas trench where the facilities being installed by an Applicant or by an applicant's contractor are for operations by SDG&E.

2.0 DEFINITION OF TERMS

The following terms in these General Conditions shall be applied as follows:

- 2.1 "Agent" - Those persons authorized to act for or represent the Applicant or SDG&E.
- 2.2 "Applicant" - The party or parties contracting with SDG&E for underground facilities and to perform work described in these General Conditions.
- 2.3 "Contract Documents" - The Contracts, Agreements, Specifications, General Conditions, SDG&E Standards, drawings, permits and other papers for the purpose of construction or pertaining to construction of underground electric facilities and gas trench.
- 2.4 "Day or Days" - Normal SDG&E work days (Monday through Friday) unless otherwise specified.
- 2.5 "Excavation" - Trenching, boring, and removal of soil required for the installation of substructures, all necessary backfilling including required imported backfill material and removal of trench spoil, and acceptable surface repair to the local governing authority's specifications.
- 2.6 "Final Acceptance" - SDG&E's acceptance of all work performed by the Applicant includes "as-built" drawings and reconciliation of all material obtained for SDG&E.
- 2.7 "Final Grade" - The grade after paving and landscaping are completed.
- 2.8 "Finish Grade" - The grade shown on plans.
- 2.9 "Improvements"- The requirements of either the governing municipality or SDG&E which will ensure protection for SDG&E facilities and provide verification of finish grade. Improvements include, but are not limited to, curbs, sidewalks, berms, barricades, bridle or pedestrian paths, raised planters or parking lot berms in residential, commercial, manufacturing, or industrial projects, when these improvements are specified adjacent to SDG&E's facilities.
- 2.10 "Inspector" - The SDG&E employee assigned to inspect and accept or reject work on the basis of compliance or lack thereof with the Contract Documents, SDG&E standards, specifications and policies.
- 2.11 "Issued and Released" - When the specifications have been issued to the Construction Department and all related holds (monies, contracts, Right of Ways, etc.) have been removed.
- 2.12 "Landowner" - Public or private entity, or a natural person or persons, whose property is affected in any way by construction performed by Applicant.
- 2.13 "Project Coordinator" - The SDG&E employee assigned to coordinate projects through construction. The Project Coordinator will work with the SDG&E Inspector and Applicant to coordinate the scheduling of SDG&E crews.
- 2.14 "SDG&E" - San Diego Gas & Electric Company (including its contractors, subcontractors, employees, representatives or agents).
- 2.15 "SDG&E Standards" - SDG&E Gas and Electric Construction Standards, including SDG&E's "Service Guide" (available upon request).

- 2.16 "Specifications" - The construction drawings (including any revisions, supplements or SDG&E approved field changes) furnished to the Applicant detailing the work to be performed.
- 2.17 "Substructures" - Includes, but are not limited to, manholes, handholes, vaults, pads (for transformers, terminators or fuse cabinets), grounding grids and other structures needed to accommodate cables, connections, transformers and appurtenances.
- 2.18 "Vault Book" - SDG&E transformer vault specifications.
- 2.19 "Work" - The performing of all labor and the furnishing and installing of all material and equipment, necessary to accomplish all the duties and obligations imposed by the Contract Documents and Specifications.

3.0 CONTRACT DOCUMENTS

- 3.1 These Contract Documents are mutually binding on all and the Applicant must be thoroughly familiar with them. Technical trade terminology shall retain well known meanings. All Applicant work responsibility and any work reasonably inferred necessary to produce the intended results, shall be supplied by the Applicant. Specified dimensions (except as provided in section 15.0) shall govern. Work not specified shall be performed in the same manner as similar work specified. Specific details take precedence in the manner of construction.

4.0 INSPECTION OF WORK AND INTERPRETATION OF CONTRACT DOCUMENTS

- 4.1 All work and materials shall be of SDG&E approved manufacture class or grade specified in the Contract Documents. It shall be the Applicant's responsibility to thoroughly familiarize all of its Agents with the contents of the Contract Documents and to accurately advise SDG&E of its construction schedule. SDG&E will be represented in the field by an Inspector, and all work and material shall be subject at all times to inspection by the Inspector.
- 4.2 Applicant is required to call the number on the cover sheet for inspection of his work by 2:30 p.m. one workday prior to the date inspection is requested. The Inspector will inspect each completed stage of Applicant's work including: trenching, substructure installation, conduit installation, backfill, compaction, and cabling. As each stage is completed, the Inspector will approve it. If SDG&E crews are needed, they will be dispatched as available after the Inspector has verified that the Applicant has satisfactorily performed his portion of the work.
- 4.3 Any workmanship or material supplied by the Applicant which does not meet the criteria specified in the Contract Documents may be rejected by the Inspector whose decisions shall be final and conclusive. The decision of SDG&E shall be final as to all matters of interpretation of the Contract Documents.
- 4.4 Any workmanship or material rejected by the Inspector shall be replaced by Applicant at Applicant's expense. Inspections and final acceptance shall not relieve the Applicant's obligation to complete the work in accordance with the Contract Documents and SDG&E Standards.

5.0 SDG&E'S RIGHT TO WORK

If the Applicant fails to perform the work in accordance with the standards, within the prescribed time period, or any obligation imposed by the contract documents, SDG&E, except as indicated below, after giving seven days written notice to the Applicant, may take over and finish the Applicant's work or may correct any defects at the Applicant's expense. If SDG&E is unable to collect reimbursement for its cost of work after 30 days from completion of the work, the actual cost may be deducted from Applicant's refundable monies on deposit with SDG&E, or, at its option, SDG&E may recover such cost by claim against the surety on the performance bond furnished by the Applicant.

6.0 SCHEDULING

After receipt of written notification from SDG&E that construction orders have been released and issued, the Applicant shall immediately advise SDG&E of the construction schedule, arrange a pre-construction meeting with the Project Coordinator and verbally confirm the start date two working days in advance of trenching.

- 6.1 All work by Applicant shall be coordinated with SDG&E in a manner that will permit SDG&E or its Agents to perform its work without delay and in an efficient manner throughout the period of construction without being required to reschedule its construction forces after starting the field installation.
- 6.2 The Applicant understands that trenching and backfilling must be coordinated with the installation of facilities such as gas piping and/or equipment by SDG&E. The Applicant shall contact the Project Coordinator to avoid SDG&E construction schedule delays. The Inspector will specify the amount of clear open trench for SDG&E work. Inspector and Construction Crew work will be performed during normal business hours. The Applicant shall continue trenching to allow the project to be completed in an efficient manner. Joint trench agreements with other underground utilities must be approved by SDG&E before the start of construction and coordinated to avoid conflicts between construction forces.
- 6.3 The Applicant should call Underground Service Alert (1-800-277-2600) for mark-out two working days before trenching. The Applicant must locate all existing facilities before construction and protect them throughout the construction period. Gas and electric facilities will not be installed until all wet utilities have been installed and backfilled. Pressurized sprinklers and irrigation lines installed after SDG&E's facilities must maintain the minimum clearances specified in SDG&E Standards.
- 6.4 Applicant shall report to Project Coordinator any damage to any facilities resulting from the construction and shall file a complete written report with SDG&E of the surrounding circumstances within 24-hours of the incident or by the end of the next working day.

7.0 SURVEY AND EASEMENTS

The Applicant shall be responsible for establishing and maintaining alignment and finish grade for SDG&E substructures and trenches throughout the construction of the project. SDG&E will survey, obtain easements and stake trench positions when easements dictate a definite route on private property, or in a dedicated street position.

8.0 PAVEMENT REMOVAL AND REPLACEMENT

- 8.1 Applicant agrees, that when trenching or excavating in paved streets or sidewalks, all cutting, removal and replacement of pavement or concrete shall be performed by methods which meet the requirements of all governmental authorities having jurisdiction.
- 8.2 Applicant agrees that any curtailment or rerouting of traffic necessitated by Applicant's work within streets or sidewalk areas shall be coordinated with all governmental authorities having jurisdiction.

9.0 EXCAVATIONS

- 9.1 Excavations for substructures shall be made to such dimensions and grade lines as are necessary to perform the work shown by Specifications and to a depth that will provide the ground coverage between the top of the conduit entering the substructures and finish grade directed in the appropriate SDG&E Standards. Applicant shall verify in writing that all substructures are set to finish grade prior to backfilling. The Applicant shall maintain finish grade stakes for all four corners of all substructures until final backfill and compaction has been completed and accepted by Inspector. Should any adjustments to substructures be required due to variations in final grade not previously submitted to SDG&E, all costs for adjustments made by SDG&E shall be borne by the Applicant.

- 9.2 Trenches shall be excavated in accordance with location and alignment shown on the Specifications and to provide minimum width and depth necessary to install the substructures, electric lines or gas pipe as specified in SDG&E Standards.
- 9.3 Bottom of excavations and trenches shall be free of rocks, dirt clods and pockets and shall be graded with a base so that sags will not occur in any conduit or gas pipe placed therein as specified in SDG&E Standards.
- 9.4 Any excavation made to an incorrect depth shall be adjusted to the correct depth and thoroughly compacted by Applicant in accordance with the compaction requirements of the Contract Documents.
- 9.5 Where excavations occur in soil, which is, in the opinion of the Inspector, unstable and unsuitable for adequately supporting the conduit, gas pipe or substructures, reinforcement shall be required and constructed to accommodate the individual case as determined by SDG&E.
- 9.6 The Applicant shall not place excavated soil where it would pose a hazard to pedestrian or vehicular traffic or interfere with the installation of SDG&E facilities. The Applicant is responsible for the disposal of all excess soil.
- 9.7 If SDG&E encounters hazardous or toxic material while performing construction on the project, SDG&E will halt work immediately, and it will be the Applicant's responsibility to remove and or clean up all hazardous toxic material. SDG&E will have no liability or obligation whatsoever to clean up, remove or remediate any hazardous or toxic materials discovered during the course of construction, unless the material were deposited through the negligence of SDG&E.
- 9.8 The location of all excavation is subject to change as necessitated by conflicts, obstacles, or field conditions revealed by actual examination during construction and Applicant agrees to pay any additional trenching, excavation, backfill, compaction, pavement replacement or other costs required by such changes in location.
- 9.9 When padmount equipment is to be installed in a location which requires equipment barriers or retaining walls, Applicant shall install them in accordance with SDG&E Standards.
- 9.10 Retaining walls may be used as an acceptable alternative to establishment of proper grade. They shall be provided and installed at Applicant's expense per SDG&E Standards. If retaining walls are required for any reason during the warranty period, they also shall be provided and installed at Applicant's expense.

10.0 INSTALLATION OF CONDUIT

THE FOLLOWING PROVISIONS APPLY TO APPLICANT'S INSTALLATION OF CONDUIT:

- 10.1 Conduits shall be installed in the trench in the alignment shown on the Specifications and all material used shall be those specified in SDG&E Standards.
- 10.2 On approval of Inspector, ground cover may be reduced where the specified minimum ground cover cannot be obtained in crossing over storm drains, foreign substructures, or other obstacles.
- 10.3 Extreme care shall be exercised to ensure that foreign matter does not enter the conduits during installation, or at any other time thereafter.
- 10.4 When such responsibilities are shown on the Specifications, cable pole conduits shall be SDG&E approved and installed per SDG&E Standards unless otherwise instructed by the Inspector.

- 10.5 Manufactured horizontal bends in the conduit shall be installed according to SDG&E Standards. Should field conditions warrant a lesser radius, the Applicant shall obtain SDG&E approval.
- 10.6 All concrete, unless otherwise permitted by Inspector, shall be ready mixed and shall meet the requirements of SDG&E Standards.
- 10.7 The installation of conduit by Applicant must be coordinated with SDG&E or its Agent to permit the installation of substructures and any conduit which may be installed by SDG&E. After the substructures are placed in position, the conduits shall be terminated in the substructure per SDG&E Standards.
- 10.8 Service conduit stubs shall be extended and marked three feet beyond the substructure or retaining wall according to SDG&E Standards.
- 10.9 Any trench or excavation of 5 feet or more in depth, which will be entered by SDG&E employees, requires spoil to be placed a minimum of 24 inches from edge of excavation. Depths of less than 5 feet require a minimum clearance of 12 inches. Shoring or sloping may be required in depths less than 5 feet and is required for depths 5 feet or more (OSHA).
- 10.10 Gas and electric facilities in conflict with other construction must be shown on plans provided by Applicant, and SDG&E must be notified prior to trenching.
- 10.11 Street light circuits, CATV and telephone positions must be verified by the Applicant with each serving agency and installed to their specifications in addition to SDG&E Specifications.
- 10.12 Each run between substructures, pads, customer's service, risers, etc., shall be one size conduit continuously, i.e., no reducers are allowed except where the conduit enters the substructure or above the ground level on a riser pole. Deviations must be approved by SDG&E.
- 10.13 All plastic conduit shall comply with SDG&E Standards, identified by manufacturer's marking, and be verified that it is an approved conduit. Conduit found to be defective or not on approved supplier's list shall not be acceptable.
- 10.14 Installation of electric conduits with concrete substructures must be coordinated with SDG&E. All conduits shall enter a substructure in a horizontal plane, using bottom set of knockouts first, exception being a 3315, 3316 and 3324 manhole in which part of the job package are pages showing conduit placement to assure correct cable training and connections. Conduits shall be terminated in substructures per SDG&E Standards. Open conduit ends shall be sealed during construction to prevent contamination inside conduit. Conduits must be watertight and mechanically sound at entry point.
- 10.15 Core boring can only be authorized by SDG&E to insure against structural damage. All work must be performed per SDG&E Standards. Conduits used with core boring must be grouted.
- 10.16 Mandreling of conduit must be performed by the installer in the presence of SDG&E Inspector. The conduit installer must provide a 3/16-inch polypropylene pullrope in each conduit. The rope shall be approved by SDG&E and have a minimum average tensile strength of 720 lbs. Pullrope tails of 24 inches shall be secured at each end of the conduit.

11.0 BACKFILL AND COMPACTION

When Applicant's responsibility under the Contract Documents includes base, shading, backfill and compaction, the following provisions apply:

- 11.1 Backfill, base and shading shall be made with materials and by methods which will meet the requirements of all applicable codes, ordinances and SDG&E Standards. It must be approved by SDG&E Inspector.
- 11.2 Compaction shall be performed in accordance with governmental agencies and shall have a minimum of 90% relative compaction.
- 11.3 When gas piping is installed and not energized, shading will be done the same day, if practical, but not later than the following calendar day. Gas mains must be shaded and backfilled before they are energized. Gas services, when energized, must be covered during the same working day. During construction, new service lines must be made safe from normally anticipated hazards. Energized service lines left unattended must have a minimum of 12 inches cover on private property and 18 inches on public property. Completion of the backfill must be made in a timely manner.
- 11.4 Shading between the different levels of jointly used trench must be compacted with reasonable care to prevent damage to the facilities installed and shall be compacted before proceeding with the next utility installation.
- 11.5 Soil filled sacks or redwood timber breakers shall be installed across trenches as required by the Inspector in banks exceeding 25% slope. Water diversion berms shall be cut diagonally across trenches and working strips on banks exceeding 35% slope. The Inspector may require cement slurry backfill on slopes as specified in SDG&E Standards.

12.0 SUBSTRUCTURES

12.1 GENERAL

Unless otherwise specified, all substructures, and related hardware including, but not limited to, frames, covers, barrier posts, ladders, ground rods, ground grids and cable supports shall be provided and installed by the party responsible for installing the substructures and shall comply with SDG&E Standards and SDG&E Vault Books. All of the substructures and related hardware used are to be approved by SDG&E. The above facilities, if applicable, will be installed at locations specified by the Specifications and in a manner prescribed by SDG&E Standards.

12.2 PRIMARY MANHOLES AND VAULTS

The location of conduit entrances or recesses and sumps shall be as shown in SDG&E Standards. Manhole or Vault entrances shall be installed as shown on the specifications. Neck extensions shall be ordered with the manhole or vault and shall be adjusted to permit installation of the cover at final grade.

12.3 PRIMARY HANDHOLES

When Applicant's responsibility under the Contract Documents includes all or a portion of the substructures, Applicant shall adjust the top section and lid to final grade per SDG&E Standards. Conduits entering handholes shall be terminated in accordance with section 10.8.

Where any substructures are to be installed by SDG&E or its contractors and Applicant is responsible for excavation, finish grade must be established to within 3 inches before substructure can be set. The top section and lid shall be adjusted to final grade by SDG&E or its contractor if less than a 3-inch adjustment is required. The developer is responsible for

maintaining the excavations for substructures for a period of five days. If SDG&E has not installed the substructures within the five-day period, SDG&E assumes responsibility for the excavation.

12.4 TRANSFORMER AND EQUIPMENT PADS AND SECONDARY HANDHOLES

Prior to the installation of these facilities, the Applicant must complete the improvements adjacent to these facilities including barrier posts. Proper compaction and final grade must be established by Applicant and inspected by SDG&E for the transformer and equipment pads. Applicant must complete the required excavation for secondary handholes and site preparation for pads.

12.5 COMPLETION OF IMPROVEMENTS

The Applicant must complete improvements (including proper compaction, final grade, excavation and site preparation) adjacent to pads and secondary handholes prior to scheduling SDG&E crews for installation and energizing of facilities. If improvements are to be installed in segments, a minimum of 10 feet of improvements fronting electric facilities is required. Any damaged substructure shall be replaced by the Applicant before the system is energized.

13.0 CABLE INSTALLATIONS

THE FOLLOWING PROVISIONS APPLY TO APPLICANT'S INSTALLATION OF CABLE:

13.1 It shall be Contractor's responsibility to protect the cable and other material furnished by SDG&E against damage. Cable pulling methods shall be subject to the approval of the Project Coordinator. If cable or associated materials are damaged due to Contractor's negligence or faulty equipment, Contractor shall replace damaged section in a manner satisfactory to SDG&E and at no additional cost to SDG&E. All sections of cable that are damaged by the application of grips shall be discarded.

13.2 All cable ends shall be sealed to effectively prevent moisture from entering the cable.

13.3 HANDLING REELS

Inspection Contractor shall inspect each reel upon receipt to determine whether or not visible damage has occurred during transit and/or storage.

Loading and Unloading Reels shall be handled in such manner as to prevent smashing, nicking, cutting or other damage to the cable. When unloading reels from trucks, reels shall not be dropped to the ground or allowed to roll freely down ramps. Cranes or other equipment of adequate capacity shall be utilized, and care shall be taken to avoid damage to the cable or reels.

Final Inspection After removing lagging or other protective covering from reels, Contractor shall examine outside layer of each reel to be sure that the cable is undamaged and that no nails, staples, or other sharp objects which would damage the cable during unreeling protrude on the inside of the reelheads.

Empty Reels Contractor shall return all empty returnable reels prior to completion of the work as instructed by the Project Coordinator. Contractor shall dispose of all empty non-refundable reels.

13.4 SPLICES

Unless otherwise directed, splices shall be made in accordance with SDG&E Standards.

The Project Coordinator shall be present when all primary splices are performed, and shall reject those splices which do not comply with SDG&E Standards. Failure to notify the Project Coordinator is justification for rejection of the splices not performed in the Project Coordinator's presence.

The tools required for splicing the cable shall be furnished by Contractor and approved by SDG&E.

13.5 PROOF TESTING

All primary installations shall be proof-tested prior to permanent connection to the distribution system. The Project Coordinator shall be present during all proof testing. Failure to notify the Project Coordinator is justification for rejection of the tests not performed in the Project Coordinators presence.

The devices and methods utilized by Contractor for proof testing shall depend upon the circuit configuration and type of equipment. Testing methods shall be in accordance with approved SDG&E procedures.

14.0 **SAFEGUARDS**

All material, work, traffic control and work areas shall comply with all applicable Federal, State, and local safety laws or rules that are necessary to protect Applicant's and SDG&E's employees, the public, and workmen during the time of construction. Applicant shall take all steps to protect property adjacent to the construction project from damage resulting from work specified and performed hereunder.

15.0 **CHANGES IN WORK**

Modification of the Specifications may be made in writing by mutual agreement between the Applicant and SDG&E. Requests for changes shall be directed to Planner. Such changes may cause delays in construction and require an engineering fee and revision to the Specifications. Costs resulting from work changes are the Applicant's responsibility under section 20.0. Minor changes for adverse field conditions may be approved in writing at the job site by the Inspector to facilitate construction.

16.0 **PHASING FOR ENERGIZING** (Applies only when cabling is installed by SDG&E)

When SDG&E and the Applicant agree before the completion of final Specifications, portions of the underground facilities may be phased *for* energizing before Final Acceptance provided the phasing does not delay completion of the entire project, SDG&E retains control of the energized portion, and the energized area is compatible with the system design and SDG&E's safety practices. Energizing portions of systems shall in no way relieve the Applicant of any of its duties.

17.0 **DRAWINGS AND PRINTS**

17.1 Applicant shall at all times maintain a set of the current Specifications at the job site, and these will at all times be available for Inspection by the Inspector who shall have access thereto on request. Applicant shall maintain at the job site any related project plans (e.g. alignment and finish grade of street improvements) approved by the governmental agencies having jurisdiction.

17.2 Prior to energizing, Applicant shall provide as-built drawings of facilities installed by the Applicant or his contractor per SDG&E Standards.

18.0 RELATIONSHIP OF PARTIES

In assuming and performing the obligations of these Contract Documents, Applicant is acting as an independent contractor. Applicant shall assume full responsibility for the ownership, custody, and control of work and facilities to be constructed. All persons employed by Applicant in connection herewith shall be employees of Applicant. SDG&E's inspections, or any suggestions or objections made by SDG&E shall not constitute or be construed as an exercise of management or supervision over the work, nor shall it be construed as acceptance of the work, or any part thereof, as it progresses, nor shall it limit or affect the right of SDG&E to reject any part or all of the work when completed in case the same does not conform to Contract Documents.

19.0 FINAL ACCEPTANCE

Final acceptance by SDG&E will be made when Applicant has provided "as-built" drawings and satisfactorily completed all work and improvements as called for in the Contract Documents including reconciliation of materials. SDG&E shall notify Applicant in writing of final acceptance of the work. Failure or neglect on the part of SDG&E to reject inferior work during the construction period shall not be construed to imply acceptance of such work nor to preclude its right to reject it. Applicant shall be required to correct all defects which become evident at any time prior to final acceptance of Applicant's work by SDG&E. The cost of all such repairs, material, labor, and overheads shall be borne by Applicant. Ownership, custody, and control of the work and facilities shall pass to SDG&E only upon Final Acceptance.

20.0 WARRANTY

The Applicant expressly represents and warrants that all work performed and all materials used are free from defects of workmanship and conform to the Applicant's Contract obligations. This warranty shall commence upon Final Acceptance and end one year from that date. The Applicant shall pay the actual cost to SDG&E for any breach of this warranty corrected by SDG&E (including labor, material and overheads). If SDG&E is unable to collect for the work after 30 days from completion, the actual cost may be deducted from the Applicant's refundable monies on deposit with SDG&E. SDG&E may recover such cost by claim against the surety on the performance bond furnished by the Applicant.

21.0 PERMITS AND LICENSES

The Applicant shall obtain and pay for all permits and licenses required by governing agencies before starting any work. In the event any governmental agency imposes conditions which necessitate any changes in the trench or conduit system shown on the Specifications, the Applicant agrees not to proceed with any work affected by the conditions until SDG&E has completed the necessary redesign of construction drawings and new agreement documents have been signed by SDG&E and the Applicant. New agreements shall be the standard agreements in effect at the time the changes are made.

22.0 INDEMNITY

Applicant will indemnify, defend, hold SDG&E its employees and agents harmless from any and all claims, demands, loss, liability or expense (including attorneys' fees) for injury to or death of any person, or damage to or destruction of any property, in any way resulting from or connected with the performance of the work by Applicant's Contractor, its agents, employees, or subcontractors regardless of the negligence of SDG&E except in those cases where SDG&E has been solely negligent or SDG&E's willful misconduct caused the damage or injury. For purposes of this indemnification, SDG&E's inspections, objections or comments shall NOT be construed as an exercise of management or supervision.

23.0 PUBLIC RELATIONS

The Applicant shall maintain a good public image. Excess soil, litter and debris around the work area shall be removed during construction. Due precaution shall be observed to avoid damage to lawns, trees, shrubs, flowers, fences and other property. All landowners and tenants shall be notified in advance when work interferes with their use of walks, driveways, roadways or entrances. Any disagreements, problems or adverse criticism in connection with the work from area landowners, tenants, the general public or public officials shall be reported promptly to the Project Coordinator.

24.0 UNION LABOR IF APPLICABLE

If for any reason, any work is performed by Applicant upon facilities that are at the time of work by Applicant, owned and maintained by SDG&E, Applicant agrees that such work shall be done in compliance with the terms and conditions of that amended Agreement between SDG&E and Local Union 465, International Brotherhood of Electrical Workers, or such other agreements as may be entered into between the Applicants' Contractor and bonafide unions of international organizations affiliated with the American Federation of Labor and Congress of Industrial Organizations or other bonafide labor organizations.

25.0 RISK OF LOSS OR DAMAGE

The Applicant must take proper care to protect, and avoid any loss or damage to, material and/or equipment furnished by the Applicant or by SDG&E until Final Acceptance. Any damage, injury or loss shall be repaired, corrected or replaced by the Applicant at his sole expense. If the Applicant fails to do so, SDG&E may complete the work and deduct such costs from any amounts due or to become due to Applicant, or SDG&E may, at its option, recover such cost by claim against the surety on the performance bond furnished by Applicant.

26.0 NOTICE OR DEMAND

Any notices or demand which may or must be given by either party to the other hereunder unless otherwise specified shall be made in writing and shall be deemed to have been duly given when delivered by personal service, or 24 hours after it is deposited for mailing at San Diego, California, by certified United States mail, postage prepaid, addressed as follows, or to such other place as the parties may hereafter in writing direct:

TO UTILITY:

San Diego Gas & Electric Company
P.O. Box 1831
San Diego, CA 92112-4150

TO APPLICANT:

Address _____

Attention: _____

Attention: _____



ELECTRIC UNDERGROUND METER & SERVICE LOCATION

Customer Copy

A Sempra Energy utility

T.B. 1189-D7

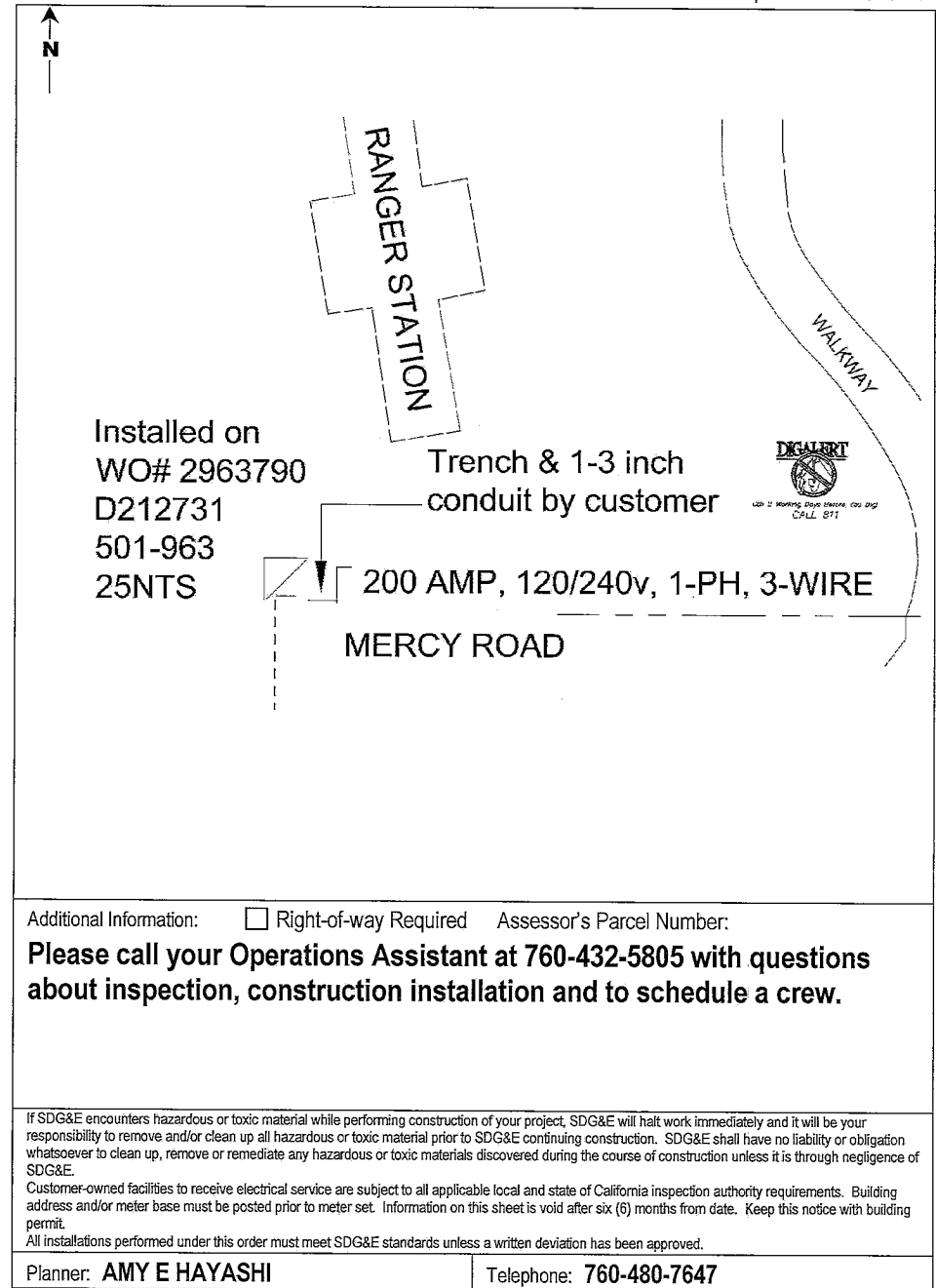
Wanted Date: **On Trench & City Inspection**

Service Type: **UG Service New**

Customer Type: **Commercial**

Date Prepared: **09/06/2012**

Project No: 256610	Job No: 020	
Project Title: LOS PENASQUITOS RANGER STATION		
Project Address: NE CORNER BLK MTN & MERCY-ADDRESS REQUIRED FOR METER SET		
Project City: SAN DIEGO	Customer Phone #:	
Contact: JASON GRANI	Contact Phone #: 619-533-7525	
<input type="checkbox"/> Traffic Control Permit Required. Excavation/Encroachment Permits Required By Customer		
Service Attachment Point and/or Meter Location: Locate 200 amp meter pedestal within 10 feet of transformer. Customer is to provide all excavation, trench, one 3-inch conduit, backfill, compaction, 3/4" pulling and measuring tape in conduit and surface repair from the transformer to the new meter panel. Take conduit to within distance as instructed by SDG&E inspector. Customer to pull all necessary permits. Final City inspection required prior to meter set.		
<input checked="" type="checkbox"/> SDG&E Application Required -- Call: 1-800-411-7343		
Municipal Inspection Required By City of San Diego Meter height - 4'0" min. (3'0" min. for multiple meter installation) - 6'3" max. From finish grade to centerline of meter base. Meters are required to be readily accessible 24 hours per day. Meters must be located in a safe area free of any potentially hazardous or dangerous condition. Provide 3-ft. X 3-ft. Minimum clear and level working space in front of meter. Where meter room is proposed, contact the planner at the nearest SDG&E office. Meter bases and meter service disconnects must be located at or immediately adjacent to each other and be identified with address and unit number it serves.		
PROCEDURE FOR INSTALLATION		
1. PHONE DIG ALERT 1-800-227-2600 AT LEAST TWO DAYS PRIOR TO TRENCHING FOR LOCATION OF UNDERGROUND UTILITIES.		
2. Phone SDG&E at 760-432-5805 for the following:		
<ul style="list-style-type: none"> • 3 working days prior to trenching to arrange pre-meet with inspector and initiate trenching process. • After excavation of trench, installation of conduit and service entrance equipment at meter location, CALL FOR INSPECTION. Do not cover conduit without inspector's written approval to backfill. • When trench is backfilled and compacted, CALL FOR INSPECTION. • If service entrance equipment is installed after backfill, CALL FOR INSPECTION OF THE EQUIPMENT. 		
3. Meter cannot be set until inspection has approved installation, including service equipment, and receipt of city/county/state inspection clearance.		
Power Source: 501-963	Structure Number: D212731	
Joint Trench with: Electric Only	Handhole Installed by:	
Standards Page #:	Handhole Lid Shall Read:	
Ladder Arms:	Stop Trench: from pole	Riser Quad:
Bend Installed by: SDG&E	Type: Transformer 3" 90 Deg 36"R DB60	
Conduit Installed by: Customer	Conduit Size: 1 - DB 3"	
Service Panel Rating: 200	Number/Size of Main Switch: 1 @ 200 amp	Voltage: 120/240
# of Wires: 3	Phase: Single	Utilities Maximum Contribution to Fault Current 42000 Amps
Metering: Self-Contained, Test Bypass Facilities Rqrd	Meter Clips: 4	
Temp Service Charge Due on First Bill \$		



DP017DPS-REMOT50-001
09/06/12 15:26

SAN DIEGO GAS AND ELECTRIC
DPSS - UG CONSTRUCTION ORDER FACE SHEET

CUSTOMER

PAGE NO 2

WORK ORDER: 2963790 PROJECT: 256610 JOB:01 REV:0 TYPE: UD NAME: LOS PENASQUITOS RANGER STATION STATUS: ACT

LOCATION: NE CORNER BLK MTN RD & MERCY RD ADDRESS: CITY: SD THOMAS BROTHERS: 1189-D7

DISTRICT: NE ADDRESS: 571 ENTERPRISE ST ESCONDIDO 92029 PH: 760-432-5805 COST CENTER: SLO:

DESIGNED BY: AMY E HAYASHI PH: 760-480-7647 DATE ISSUED: SIO:

JOB COORD: AMY E HAYASHI PH: 760-480-7647 PROJECT MGR: AMY E HAYASHI PH: 760-480-7647

APPROVED BY: *Robert Taylor* DATE: 9/11/12 COMBO JOB:N

WORK REQ#	RULE	OPT	BILL CODE	ORDER TYPE	QTY	BUDGET	BUDGET %	TOTAL CAPITAL	BILLABLE CAPITAL	%	DEPREC CREDIT	NET CAPITAL	TOTAL O&M	BILLABLE O&M	%	NET O&M
001	E-16	D	X	34	0001	12218.3	100.0	8357	4960	59.4		3397	749	444	59.3	305

SCHED START DATE: / / SCHED COMP DATE: / / COMPLETED/APPROVED BY: DATE:

REQUIRED ACCOUNTS

5108.40000 5184.63200 5367.10000 5369.20000

JOINT CONSTRUCTION CONTRACTOR DESIGN: APPLICANT DESIGN:

UG ELECT: Y

GAS: N

TELCO: Y TELCO ENG: PHONE:

MPOE: N

CATV: N CATV ENG: PHONE:

COMMENTS:

RIGHT-OF-WAY REQUIRED: N INFO:

PERMITS REQUIRED: N AGENCY:

TRAFFIC CONTROL REQ: Y PLAN NO: STREET RESURFACE MORATORIUM: CUSTOMER OUTAGE REQUIRED: N

COMMENTS:

EXISTING FACILITIES INSTALLED ON: 2216790

RELATED CONSTRUCTION JOBS

PLANS / REFERENCE MAPS

WO#	PROJ	JOB	REV	TYPE	NAME	TYPE	NUMBER	DESCRIPTION
5005313	256610	02	0	US	LOS PENASQUITOS RANGER STATION-UG SVC	EF	280-1731	ELECTRIC FACILITY MP
						UO	280-1731	UNDERGROUND OPER MAP
						CM	2761731	CIRCUIT MAP

WORK ORDER: 2963790 PROJECT: 256610 JOB:01 REV:0 TYPE: UD NAME: LOS PENASQUITOS RANGER STATION STATUS: ACT

STANDARD CONSTRUCTION NOTES

SPECIFIC CONSTRUCTION NOTES

STAKED BY Contractor

UNLESS OTHERWISE NOTED, ALL TERMINATIONS OF PRIMARY CONDUIT RUNS AND SECONDARY CONDUIT RUNS OTHER THAN 2" IN ABOVE GROUND PADS WILL BE MADE WITH 36" RADIUS 90 DEGREE BENDS. TERMINATIONS OF 2" SECONDARY CONDUIT RUNS IN ABOVE GROUND PADS WILL BE MADE WITH 24" RADIUS 90 DEGREE BENDS. ALL HORIZONTAL BENDS WILL BE MADE WITH 25' RADIUS SWEEPS, UNLESS OTHERWISE NOTED. STANDARD CONDUIT BENDS TO BE USED. THE MINIMUM TERMINATION FOR ANY SERVICE CONDUIT IS A 24" RADIUS 90 DEGREE BEND.

CUSTOMER TO EXTEND SINGLE-PHASE FROM EXISTING H105840 WEST AND THEN NORTH ACROSS MERCY ROAD TO CITY OF SD LOS PENASQUITOS RANGER STATION. REQUEST CUSTOMER INSTALL 4-INCH CONDUIT

UNLESS OTHERWISE NOTED, IF SERVICES ARE NOT INSTALLED WITH THE MAIN SYSTEM, INSTALL CONDUIT STUBS FROM PADS AND HANDHOLES TO P/L. ALL STUBS REQUIRE CONDUIT STUB AND BALL MARKERS PER UG STANDARD 3377. SERVICE STUBS TO BE _____.

APPLICANT NOTES

IN THE EVENT OF CONFLICT BETWEEN THIS DRAWING AND THE GENERAL CONDITIONS, THE GENERAL CONDITIONS SHALL TAKE PRECEDENCE. A COMPLETE SET OF UTILITY CONSTRUCTION SPECIFICATIONS IS AVAILABLE ON REQUEST.

CHECK CONFLICTS IN AREA PRIOR TO ANY EXCAVATION. CALL 'USA' AT 1-800-422-4133 48 HOURS IN ADVANCE OF ANY GRADING OR EXCAVATION IN THE VICINITY OF SDGE FACILITIES. IT IS NECESSARY TO OBTAIN AN EXCAVATION PERMIT FROM THE LOCAL AUTHORITY.

AFTER NOTIFICATION THAT CONSTRUCTION CAN PROCEED, PHONE NOTIFICATION 48 HOURS PRIOR TO THE START OF CONSTRUCTION MUST BE MADE TO THE CONSTRUCTION DEPARTMENT AT THE DISTRICT PHONE NUMBER INDICATED ON THE PREVIOUS PAGE.

FOR INSPECTION OF YOUR INSTALLATION AND ANY FIELD CHANGES PHONE SDGE INSPECTOR AT THE DISTRICT OPERATING CENTER.

✓ PRECONSTRUCTION CONFERENCE WITH DISTRICT OPERATING DEPARTMENT REQUIRED.

✓ TRENCH FOOTAGE - APPLICANT: All SDGE: -0-

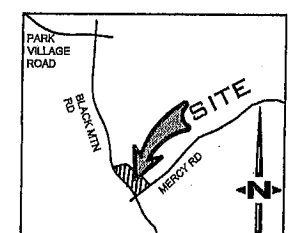
___ GAS WORK ORDER IS APPLICANT INSTALLATION. WO# NA.

LOS PENASQUITOS/BLACK MOUNTAIN RANGER STATION



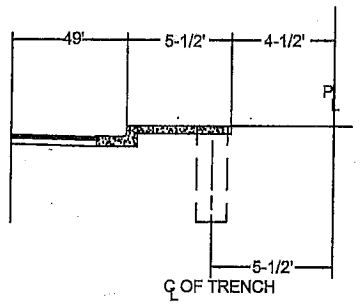
SCALE

1" = 30'



VICINITY MAP

NO SCALE TB: 1189-D7



TYPICAL STREET SECTION

NO SCALE MERCY ROAD TB: 1189-D7

NOTES

- CUSTOMER IS RESPONSIBLE FOR:
- *TRENCH, EXCAVATION AND BACKFILL
 - *CONDUIT (INCLUDING REDUCERS & ADAPTERS AT HANDHOLES)
 - *CONCRETE/SIDEWALK BREAK & REPAIR
 - *RETAINING WALLS

MAINTAIN A MINIMUM OF 6" WHEN PARALLELING WET UTILITIES AND 8" WHEN CROSSING

STANDARD CONDUIT BENDS TO BE USED:

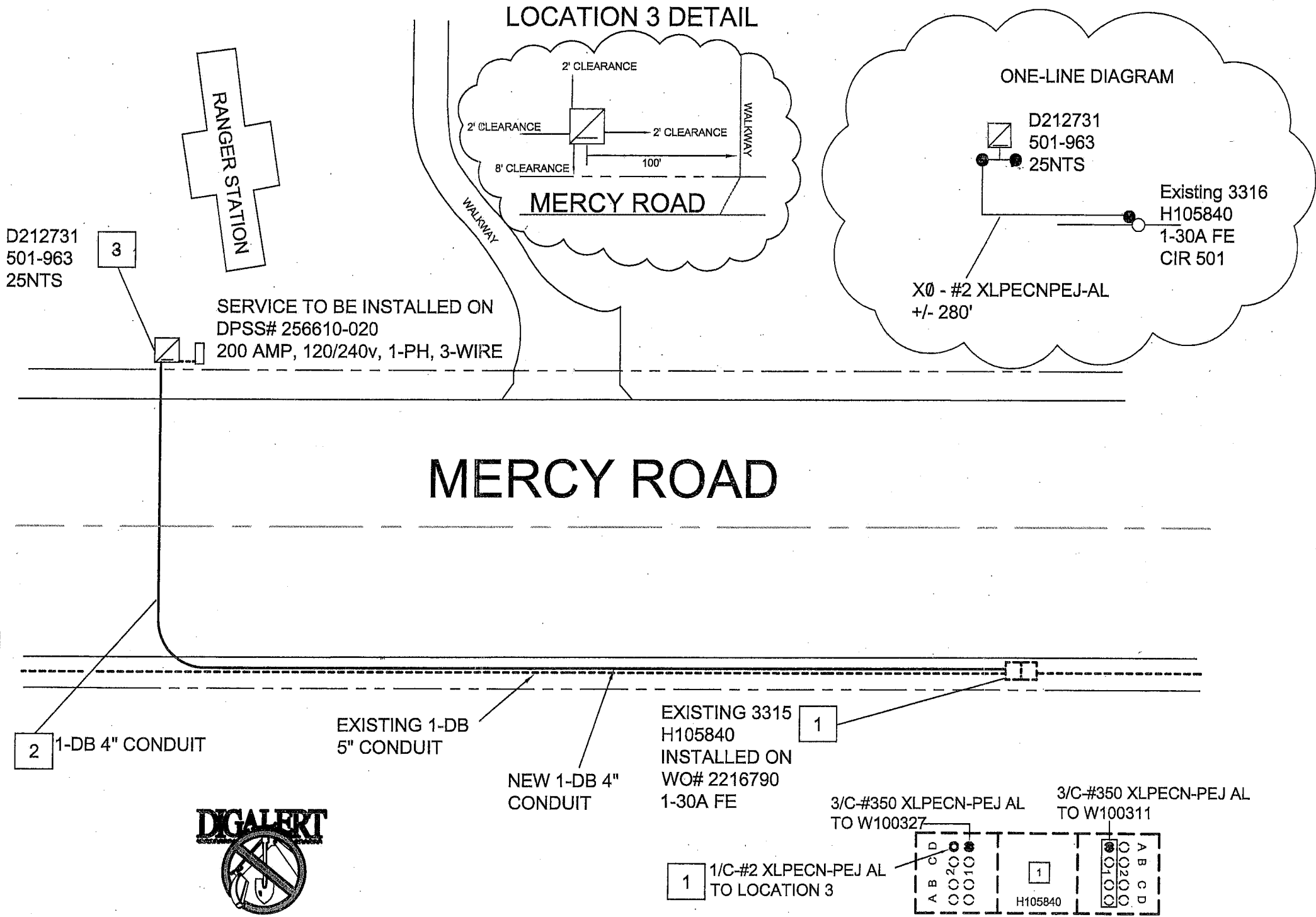
CONDUIT BENDS		CP BENDS
2"	PRIMARY	SECONDARY
3"	36°, 90 DEGREE BEND	24°, 90 DEGREE BEND
4"	36°, 90 DEGREE BEND	36°, 90 DEGREE BEND
5"	36°, 90 DEGREE BEND	48°, 90 DEGREE BEND
	36°, 90 DEGREE BEND	36°, 90 DEGREE BEND
	36°, 90 DEGREE BEND	48°, 90 DEGREE BEND
	36°, 90 DEGREE BEND	48°, 90 DEGREE BEND

*ALL HORIZONTAL BENDS WILL BE MADE WITH 25 FOOT RADIUS SWEEPS AS PER STD. PG.3374 UNLESS OTHERWISE NOTED

200 AMP SERVICE TO BE INSTALLED ON DPSS# 256610-020
24 HOUR LINE TRUCK ACCESS TO SDG&E DISTRIBUTION AND SERVICE FACILITIES REQUIRED.

POINT OF CONTACT: JASON GRANI
CITY OF SAN DIEGO
PHONE: (619) 533-7525

SDG&E CUSTOMER PROJECT PLANNER: AMY HAYASHI
PHONE: (760) 480-7647



Call 2 Working Days Before You Dig!
CALL 811

SDGE SAN DIEGO GAS & ELECTRIC
ELECTRIC CONSTRUCTION ORDER
OH or US DRAWING

PLANNER/DESIGNER: AMY HAYASHI
760-480-7647

DATE: 09/06/2012

PROJECT NO: 256610-010

CONSTRUCTION ORDER NO: 2963790

REVISED: 10/1/12

DPSS - UNIT SUMMARY BY LOCATION - CUSTOMER WORK

WORK ORDER: 2963790 PROJECT: 256610 JOB: 01 REV: 0 TYPE: UD NAME: LOS PENASQUITOS RANGER STATION STATUS: ACT
 DISTRICT: NE DESIGNED BY: AMY E HAYASHI PHONE: 480-7647

LOCATION	WRK F-C	MU ID	AU ID	DESCRIPTION	QTY RQD	UM	WORK RESP	MATL RESP	STANDARD PAGE
001	I-N		RED5-4	CONDUIT BELL REDUCER DB 5 IN TO 4 IN	1	EA	C	C	3373.2
002	I-N		1DB4-P	1-4 IN DB CONDUIT PRI	210	FT	C	C	3373.1
	I-N		1DB4PS	1-4 IN DB 22.5 D 25 FT R BEND PRI	4	EA	C	C	3373.2
	I-N		TR/C-P	PRIMARY CUSTOMER TRENCH	250	FT	C	C	3370.1
	I-N		SHD--C	SHADE TRENCH WITH SAND - CUSTOMER	250	FT	C	C	D7403
003	I-N		3421-1	PAD 3421 1-PHASE TRANSFORMER	1	EA	C	C	3421.1
	I-N		X-XF1P	PAD PREP 3421 PAD (1-PHASE TRANSFORMER)	1	EA	C	C	
	I-N		TG-T-W	TRENCH GRD WIRE W/O RODS (TRANS/CAP)	1	EA	C	C	4510.1
	I-N		1DB4-P	1-4 IN DB CONDUIT PRI	1	FT	C	C	3373.1
	I-N		1-3"SB	1-3 IN DB SERV COND BEND BY CUSTOMER	1	EA	C	C	

DPSS - CONSTRUCTION ORDER MATERIAL LIST

WORK ORDER: 2963790 PROJECT: 256610 JOB: 01 REV: 0 TYPE: UD NAME: LOS PENASQUITOS RANGER STATION STATUS: ACT

DISTRICT: NE ADDRESS: 571 ENTERPRISE ST ESCONDIDO 92029 PHONE: 432-5805 COST CENTER:

DESIGNED BY: AMY E HAYASHI PHONE: 480-7647 LOCATIONS: THROUGH:

MATERIAL TO BE PROVIDED BY CUSTOMER AND INSTALLED BY CUSTOMER

SHEET: 1

STOCK NUMBER	DESCRIPTION	ACCT STAT	ACCOUNT	QUANTITY REQUIRED	UM	ISSUED	CREDIT
249710	CONDUIT DB 100 4 IN 20 FT LENGTH	NE	369.20000	211	FT		
321826	4 IN DB 100 22.5 D R BEND	NE	369.20000	4	EA		
424390	INHIBITOR, GROUND ENHANCING POWDER	NE	369.20000	5	EA		
514240	PAD 1-PHASE XFMR / 3-PHASE F.C. 3421	NE	369.20000	1	EA		
573384	CONDUIT BELL REDUCER 5 IN TO 4 IN	NE	369.20000	1	EA		
812816	WIRE BARE COPPER #2-7 STR SOFT DRAWN	NE	369.20000	8	LB		
X20042	PRI, SEC, & GAS ONLY TRENCH BY CUSTOMER	DC	369.20000	250	FT		

PAGE NO 1
09/12/12 08:54

DP017DPS-REMOTE50-001

SAN DIEGO GAS AND ELECTRIC

DPSS - CONSTRUCTION ORDER - CUSTOMER COPY

WORK ORDER: 2963790 PROJECT: 256610 JOB:01 REV:0 TYPE: UD NAME: LOS PENASQUITOS RANGER STATION STATUS: ACT
LOCATION:NE CORNER BLK MTN RD & MERCY RD ADDRESS: CITY: SD THOMAS BROTHERS: 1189-D7
DISTRICT: NE ADDRESS: 571 ENTERPRISE ST ESCONDIDO 92029 PHONE: 432-5805 COST CENTER:
DESIGNED BY: AMY E HAYASHI PHONE: 480-7647 DATE ISSUED: _____
JOB COORD: AMY E HAYASHI PHONE: 480-7647 PROJECT MGR: AMY E HAYASHI PHONE: 480-7647

ONE-WAY TRAVEL HOURS: 0.6 YARD TIME: 1.2 TRAVEL YARD FACTOR: 0.4286

NO CREW REQUIREMENTS FOUND

WORK ORDER: 2963790 PROJECT: 256610 JOB:01 REV:0 TYPE: UD NAME: LOS PENASQUITOS RANGER STATION STATUS: ACT
LOCATION: 001 SHEET: 01 DISTRICT: NE DESIGNED BY: AMY E HAYASHI PHONE: 480-7647 LOCATION 001 OF 003

WRK F-C-T	MU ID	AU ID	STOCK#	DESCRIPTION/CONSTRUCTION NOTES	QTY RQD	UM	ACT QTY	WRK RSP	MAT RSP	ACCOUNT	STNDRD PAGE	INST/APP BY	DATE
I-N-S		RED5-4	573384	CONDUIT BELL REDUCER DB 5 IN TO 4 IN CONDUIT BELL REDUCER 5 IN TO 4 IN NOTE: REQUEST CUSTOMER USE A 4-INCH CONDUIT TO SITE ACROSS MERCY RD FOR FUTURE GROWTH.	1 1	EA EA		C	C	369.20000	3373.2		

WORK FUNC	FAC CODE	DESC	EXIST TAG	NEW TAG	CONSTRUCTION NOTES
			H105840		INSTALL 4-INCH CONDUIT TO ACCOMMODATE FUTURE GROWTH OF THIS FACILITY

LOC 001 SHEET 01 COMPLETED PARTIALLY COMPLETED ENERGIZED
AS-BUILT RECORDED BY: _____ DATE: _____ MATERIAL CHECK BY: _____ DATE: _____

REMOTE50-001
09/12/12 08:54

SAN DIEGO GAS AND ELECTRIC
DPSS - CONSTRUCTION ORDER - CUSTOMER COPY

PAGE NO 3

DP017DPS-

WORK ORDER: 2963790 PROJECT: 256610 JOB:01 REV:0 TYPE: UD NAME: LOS PENASQUITOS RANGER STATION STATUS: ACT
LOCATION: 002 SHEET: 01 DISTRICT: NE DESIGNED BY: AMY E HAYASHI PHONE: 480-7647 LOCATION 002 OF 003

WRK F-C-T	MU ID	AU ID	STOCK#	DESCRIPTION/CONSTRUCTION NOTES	QTY RQD	UM	ACT QTY	WRK RSP	MAT RSP	ACCOUNT	STNDRD PAGE	INST/APP BY	DATE
I-N-S		1DB4-P	249710	1-4 IN DB CONDUIT PRI CONDUIT DB 100 4 IN 20 FT LENGTH NOTE: REQUEST CUSTOMER USE A 4-INCH CONDUIT TO SITE ACROSS MERCY RD FOR FUTURE GROWTH.	210 210	FT FT		C	C	369.20000	3373.1		
I-N-S		1DB4PS	321826	1-4 IN DB 22.5 D 25 FT R BEND PRI 4 IN DB 100 22.5 D R BEND	4 4	EA EA		C	C	369.20000	3373.2		
I-N-S		TR/C-P	X20042	PRIMARY CUSTOMER TRENCH PRI, SEC, & GAS ONLY TRENCH BY CUSTOMER	250 250	FT FT		C	C	369.20000	3370.1		
I-N-S		SHD--C		SHADE TRENCH WITH SAND - CUSTOMER	250	FT		C		369.20000	D7403		

WORK FAC
FUNC CODE DESC

EXIST TAG NEW TAG

CONSTRUCTION NOTES

NO LOCATION CONSTRUCTION NOTES FOUND

LOC 002 SHEET 01 COMPLETED PARTIALLY COMPLETED ENERGIZED

AS-BUILT RECORDED BY: _____ DATE: _____ MATERIAL CHECK BY: _____ DATE: _____

REMOTE50-001
09/12/12 08:54

SAN DIEGO GAS AND ELECTRIC
DPSS - CONSTRUCTION ORDER - CUSTOMER COPY

PAGE NO 4

DP017DPS-

WORK ORDER: 2963790 PROJECT: 256610 JOB:01 REV:0 TYPE: UD NAME: LOS PENASQUITOS RANGER STATION STATUS: ACT
LOCATION: 003 SHEET: 01 DISTRICT: NE DESIGNED BY: AMY E HAYASHI PHONE: 480-7647 LOCATION 003 OF 003

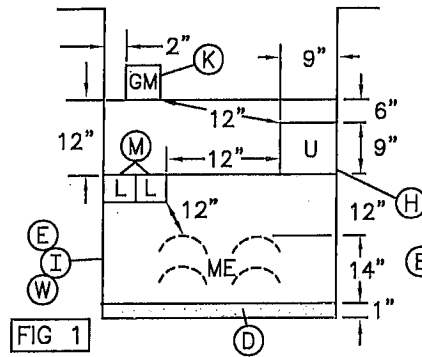
WRK F-C-T	MU ID	AU ID	STOCK#	DESCRIPTION/CONSTRUCTION NOTES	QTY RQD	UM	ACT QTY	WRK RSP	MAT RSP	ACCOUNT	STNDRD PAGE	INST/APP BY	DATE
I-N-S		3421-1	514240	PAD 3421 1-PHASE TRANSFORMER PAD 1-PHASE XFMR / 3-PHASE F.C. 3421	1 1	EA EA		C	C	369.20000	3421.1		
I-N-S		X-XF1P		PAD PREP 3421 PAD (1-PHASE TRANSFORMER)	1	EA		C		369.20000			
I-N-S		TG-T-W	424390 812816	TRENCH GRD WIRE W/O RODS (TRANS/CAP) INHIBITOR, GROUND ENHANCING POWDER WIRE BARE COPPER #2-7 STR SOFT DRAWN	1 5 8	EA EA LB		C	C C	369.20000	4510.1		
I-N-S		1DB4-P	249710	1-4 IN DB CONDUIT PRI CONDUIT DB 100 4 IN 20 FT LENGTH	1 1	FT FT		C	C	369.20000	3373.1		
I-N-S		1-3"SB		1-3 IN DB SERV COND BEND BY CUSTOMER	1	EA		C		369.20000			

WORK FUNC	FAC CODE	DESC	EXIST	TAG	NEW	TAG	CONSTRUCTION NOTES
I	PD	PAD			D212731		NEW 200 AMP METER PEDESTAL
I	TO	1 PHASE XFRMER			501-963		TO BE INSTALLED ON DPSS# 256610-020 120/240V, SINGLE-PHASE, 3-WIRE

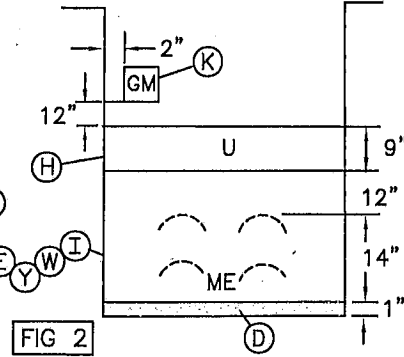
LOC 003 SHEET 01 COMPLETED PARTIALLY COMPLETED ENERGIZED
AS-BUILT RECORDED BY: _____ DATE: _____ MATERIAL CHECK BY: _____ DATE: _____

SCOPE: THIS STANDARD SHOWS TYPICAL PLACEMENT OF UTILITIES WITHIN TRENCHES FOR DISTRIBUTION AND SERVICE IN DEDICATED R/W (STREET) AND PRIVATE PROPERTY, AND PROVIDES THE MINIMUM DEPTH AND CLEARANCE THAT MUST BE MAINTAINED BETWEEN VARIOUS UTILITIES OCCUPYING THE SAME TRENCH IN SAN DIEGO COUNTY.

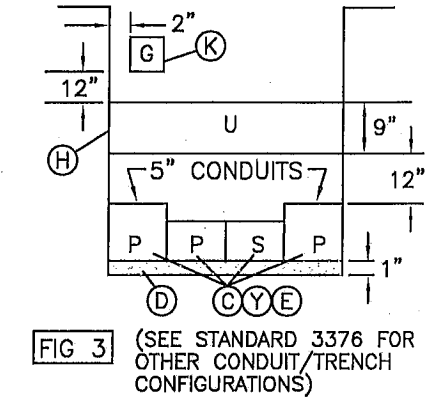
PROPERTY SIDE



PROPERTY SIDE

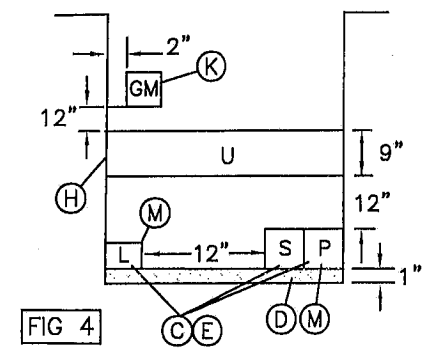


PROPERTY SIDE

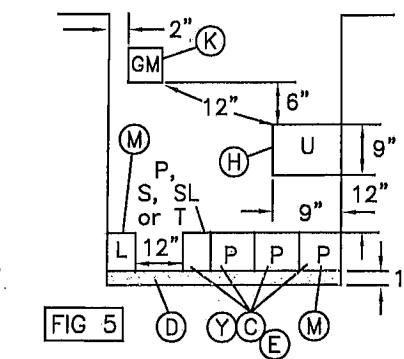


(SEE STANDARD 3376 FOR OTHER CONDUIT/TRENCH CONFIGURATIONS)

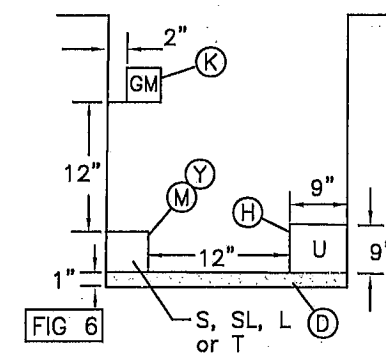
PROPERTY SIDE



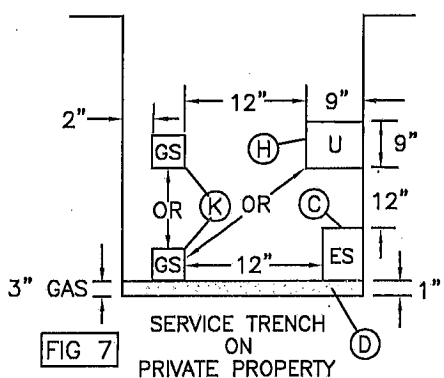
PROPERTY SIDE



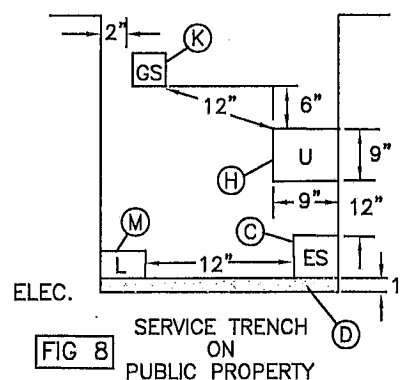
PROPERTY SIDE



PROPERTY SIDE



PROPERTY SIDE



LEGEND

GM	GAS MAIN
GS	GAS SERVICE
P	PRIMARY ELECTRIC
S	SECONDARY ELECTRIC
ES	ELECTRIC SERVICE
ME	MULTIPLE ELECTRIC (P OR S OR ES OR T, STACKED CONFIGURATION INCLUDING SPACERS AND 1-SACK CONCRETE SLURRY)
SL	SDG&E STREET LIGHT
L	FOREIGN UTILITY STREET LIGHT
U	FOREIGN UTILITY (TELCO, CATV)
T	SDG&E TELECOMMUNICATIONS

NOTES:

- DRAWINGS ARE NOT TO SCALE.
- SPACE ALLOTMENTS (OTHER THAN FOREIGN UTILITY) ARE 1/2 INCH LARGER THAN THE NOMINAL SIZE OF GAS MAIN, GAS SERVICE OR ELECTRIC CONDUIT. SEE INSTALLATION NOTE (H) FOR FOREIGN UTILITY SPACE ALLOTMENT.
- TYPICAL TRENCH SECTIONS ARE DESIGNED FOR INSTALLATIONS WHERE EACH OCCUPANT IS UTILIZING HIS ENTIRE SPACE ALLOTMENT. SIZE OF SPACE ALLOTMENTS MAY BE REDUCED OR ADDITIONAL ALLOTMENTS MAY BE ADDED PROVIDING MINIMUM COVER AND CLEARANCES ARE MAINTAINED AS LISTED ON PAGE 3370.2. ONLY ONE FOREIGN UTILITY SPACE ALLOTMENT FOR TELCO AND/OR CATV IS ALLOWED PER TRENCH. WIDTH AND DEPTH OF THE TRENCH MUST BE ADJUSTED ACCORDING TO SPACE ALLOTMENTS, MINIMUM CLEARANCES AND MINIMUM COVER.
- GAS PIPE REQUIRES A MINIMUM OF 12 INCHES RADIAL SEPARATION FROM ALL UTILITIES.

© 1998 - 2005 San Diego Gas & Electric Company. All rights reserved. Removal of this copyright notice without permission is not permitted under law.

SERVICE GUIDE	Indicates Latest Revision	Completely Revised	New Page	Information Removed	GAS STD. 7403.1
SDG&E ELECTRIC STANDARDS					REVISION
3370.1	UNDERGROUND DISTRIBUTION (UD) TRENCHES AND UTILITY POSITIONING - S.D. COUNTY				DATE 1-1-98 APPD <i>[Signature]</i>

THE FOLLOWING CHARTS SHOW THE MINIMUM COVER FOR EACH UTILITY, THE MINIMUM SEPARATION BETWEEN SPACE ALLOTMENTS AND THE MAXIMUM SIZE FOR EACH SPACE ALLOTMENT. TO READ THE CHARTS, READ ACROSS AND DOWN UNTIL THE TWO JOIN IN A SQUARE, AND THAT IS THE DISTANCE REQUIRED BETWEEN THE TWO UTILITIES.

EXAMPLE

		VERTICAL		HORIZONTAL	
		ES		GS	
		↓		↓	
ES	ELECTRIC SERVICE	→	⊙	→	12"

UNDER VERTICAL, "ES" & "ES" JOIN AT ⊙ WHICH REFERS TO INSTALLATION NOTE ⊙.

UNDER HORIZONTAL, "ES" & "GS" JOIN AT 12 INCHES WHICH WOULD BE THE DISTANCE REQUIRED FROM THE OUTER EDGE OF THE ELECTRIC SERVICE (SPACE ALLOTMENT) TO THE OUTER EDGE OF GAS SERVICE (SPACE ALLOTMENT).

MAIN TRENCH, [SERVICE TRENCH PUBLIC PROPERTY] (MINIMUM SEPARATION FROM)

		VERTICAL								HORIZONTAL								* MIN. COVER	FACILITY SPACE ALLOTMENT (MAX)						
		GM GS	P	S	ES	SL	ME	L	U	GM GS	P	S	ES	SL	ME	L	U								
GM	GAS MAIN	ⓓ	Ⓚ	Ⓝ	Ⓝ	Ⓝ	Ⓝ	Ⓝ	Ⓝ	Ⓝ	Ⓝ	Ⓝ	Ⓝ	Ⓝ	Ⓝ	Ⓝ	Ⓝ	Ⓝ	Ⓝ	Ⓝ	Ⓝ	Ⓝ	Ⓝ	30" MIN 42" MAX	4-1/2"x4-1/2"
GS	GAS SERVICE	ⓐ	ⓐ	ⓐ	ⓐ	ⓐ	ⓐ	ⓐ	ⓐ	ⓐ	ⓐ	ⓐ	ⓐ	ⓐ	ⓐ	ⓐ	ⓐ	ⓐ	ⓐ	ⓐ	ⓐ	ⓐ	ⓐ	ⓐ	4-1/2"x4-1/2"
P	PRIMARY ELECTRIC	ⓐ	ⓐ	ⓐ	ⓐ	ⓐ	ⓐ	ⓐ	ⓐ	ⓐ	ⓐ	ⓐ	ⓐ	ⓐ	ⓐ	ⓐ	ⓐ	ⓐ	ⓐ	ⓐ	ⓐ	ⓐ	ⓐ	ⓐ	5-1/2"x5-1/2"
S	SECONDARY ELECTRIC	ⓐ	ⓐ	ⓐ	ⓐ	ⓐ	ⓐ	ⓐ	ⓐ	ⓐ	ⓐ	ⓐ	ⓐ	ⓐ	ⓐ	ⓐ	ⓐ	ⓐ	ⓐ	ⓐ	ⓐ	ⓐ	ⓐ	ⓐ	5-1/2"x5-1/2"
ES	ELECTRIC SERVICE	ⓐ	ⓐ	ⓐ	ⓐ	ⓐ	ⓐ	ⓐ	ⓐ	ⓐ	ⓐ	ⓐ	ⓐ	ⓐ	ⓐ	ⓐ	ⓐ	ⓐ	ⓐ	ⓐ	ⓐ	ⓐ	ⓐ	ⓐ	5-1/2"x5-1/2"
SL	SDG&E STREET LIGHT	ⓐ	ⓐ	ⓐ	ⓐ	ⓐ	ⓐ	ⓐ	ⓐ	ⓐ	ⓐ	ⓐ	ⓐ	ⓐ	ⓐ	ⓐ	ⓐ	ⓐ	ⓐ	ⓐ	ⓐ	ⓐ	ⓐ	ⓐ	2-1/2"x2-1/2"
ME	MULTIPLE ELECTRIC	ⓐ	ⓐ	ⓐ	ⓐ	ⓐ	ⓐ	ⓐ	ⓐ	ⓐ	ⓐ	ⓐ	ⓐ	ⓐ	ⓐ	ⓐ	ⓐ	ⓐ	ⓐ	ⓐ	ⓐ	ⓐ	ⓐ	ⓐ	18" x 14" (4 DUCTS)
L	FOREIGN UTILITY STREET LIGHT	ⓐ	ⓐ	ⓐ	ⓐ	ⓐ	ⓐ	ⓐ	ⓐ	ⓐ	ⓐ	ⓐ	ⓐ	ⓐ	ⓐ	ⓐ	ⓐ	ⓐ	ⓐ	ⓐ	ⓐ	ⓐ	ⓐ	ⓐ	2-1/2"x2-1/2"
U	FOREIGN UTILITY (TELCO, CATV)	ⓐ	ⓐ	ⓐ	ⓐ	ⓐ	ⓐ	ⓐ	ⓐ	ⓐ	ⓐ	ⓐ	ⓐ	ⓐ	ⓐ	ⓐ	ⓐ	ⓐ	ⓐ	ⓐ	ⓐ	ⓐ	ⓐ	ⓐ	9" x 24"
T	SDG&E TELECOMMUNICATIONS	ⓐ	ⓐ	ⓐ	ⓐ	ⓐ	ⓐ	ⓐ	ⓐ	ⓐ	ⓐ	ⓐ	ⓐ	ⓐ	ⓐ	ⓐ	ⓐ	ⓐ	ⓐ	ⓐ	ⓐ	ⓐ	ⓐ	ⓐ	4-1/2"x4-1/2"

* ALL MINIMUM COVER DEPTHS MEASURED FROM FINAL GRADE. REDUCED DEPTHS IN NOTE ⊙ ARE LESSER DEPTHS THAN WHAT IS SHOWN UNDER "MINIMUM COVER".

ⓐ NOT ALLOWED.

SERVICE TRENCH PRIVATE PROPERTY (MINIMUM SEPARATION FROM)

		VERTICAL					HORIZONTAL					* MIN. COVER	FACILITY SPACE ALLOTMENT (MAX)		
		GS	ES	ME	U	L	GS	ES	ME	U	L				
GS	GAS SERVICE	ⓐ	ⓐ	ⓐ	ⓐ	ⓐ	ⓐ	ⓐ	ⓐ	ⓐ	ⓐ	ⓐ	ⓐ	24" MIN 42" MAX	2-1/2" x 2-1/2"
ES	ELECTRIC SERVICE	ⓐ	ⓐ	ⓐ	ⓐ	ⓐ	ⓐ	ⓐ	ⓐ	ⓐ	ⓐ	ⓐ	ⓐ	24"	5-1/2" x 5-1/2"
ME	MULTIPLE ELECTRIC	ⓐ	ⓐ	ⓐ	ⓐ	ⓐ	ⓐ	ⓐ	ⓐ	ⓐ	ⓐ	ⓐ	ⓐ	24"	WILL VARY DUE TO BOARD AMPACITY
U	FOREIGN UTILITY TELCO, CATV	ⓐ	ⓐ	ⓐ	ⓐ	ⓐ	ⓐ	ⓐ	ⓐ	ⓐ	ⓐ	ⓐ	ⓐ	18"	9" x 9"
L	FOREIGN UTILITY STREET LIGHT	ⓐ	ⓐ	ⓐ	ⓐ	ⓐ	ⓐ	ⓐ	ⓐ	ⓐ	ⓐ	ⓐ	ⓐ	1" or less	2-1/2" x 2-1/2"

© 1998 - 2005 San Diego Gas & Electric Company. All rights reserved. Removal of this copyright notice without permission is not permitted under law.

GAS STD. 7403.2	Indicates Latest Revision	Completely Revised	New Page	Information Removed	SERVICE GUIDE
REVISION	SDG&E ELECTRIC STANDARDS				3370.2
DATE 1-1-96	UNDERGROUND DISTRIBUTION (UD) TRENCHES AND UTILITY POSITIONING - S.D. COUNTY				
APPD <i>[Signature]</i>					

INSTALLATION:

A. AN EFFORT SHOULD BE MADE TO KEEP THE TRENCH DEPTH LESS THAN 60 INCHES. IF A PERSON IS REQUIRED TO ENTER A TRENCH 60 INCHES OR DEEPER, IT SHALL BE SHORED, BENCHED, OR SLOPED TO PREVENT MOVEMENT OF EARTH THAT MAY ENDANGER LIFE OR PROPERTY. THE TRENCH CONFIGURATION, UTILITY POSITIONING AND ALL OTHER RELATED CONSTRUCTION MUST CONFORM TO THIS STANDARD AND THE STATE OF CALIFORNIA PUBLIC UTILITIES COMMISSION GENERAL ORDERS 128 AND 112D, AND ANY OTHER APPROPRIATE GOVERNMENTAL AGENCY HAVING JURISDICTION OVER CONSTRUCTION.

NOTE: BENCHING THE TRENCH IS FOR SAFETY REASONS ONLY AND NOT TO BE USED FOR INSTALLATION PURPOSES.

B. THE TRENCH DEPTH IN THIS STANDARD SHALL BE FOLLOWED FOR ALL NORMAL INSTALLATIONS. IN INSTALLATIONS WHERE THE TRENCH DEPTH CANNOT BE MET, G.O. 128 REQUIRES ONE OF THE FOLLOWING: (1) STEEL, OR (2) SCHEDULE 40 PVC OR SCHEDULE 80 PVC CONDUIT WITH A MINIMUM WALL THICKNESS OF 0.15 INCHES, OR (3) A 3 INCH LAYER OF CONCRETE (2 SACK 3/8" ROCK) ABOVE AND 2 INCHES ON EACH SIDE OF THE CONDUIT. REDUCED DEPTHS MUST BE APPROVED BY BOTH THE CUSTOMER PROJECT PLANNER AND SDG&E INSPECTOR.

C. ANY CONDUIT COMBINATION SMALLER THAN 5 INCH, (NOT MULTIPLE ELECTRIC-ME OR SERVICE CONDUITS) ARE PERMITTED WITHOUT SEPARATION WHEN INSTALLED IN A HORIZONTAL CONFIGURATION. SDG&E TELECOMMUNICATIONS SPACE ALLOTMENT IS PERMITTED NEXT TO THE ELECTRIC SPACE ALLOTMENTS WITHOUT SEPARATION. (6 INCH MINIMUM TRENCH WIDTH, 24 INCH MAXIMUM TRENCH WIDTH) (SEE STANDARD 3376 FOR CONDUIT/TRENCH CONFIGURATION).

D. BASE AND SHADING MATERIAL FOR GAS TRENCH ONLY:
 IMPORTED MATERIAL CONSISTING OF NATURAL SAND OR MANUFACTURED SAND, EXISTING NATIVE MATERIAL, OR COMBINATIONS MAY BE USED FOR BASE AND SHADING MATERIAL PROVIDED IT COMPLIES WITH GAS STANDARD G7405 AND IS OF A QUALITY THAT WILL COMPLY WITH COMPACTION REQUIREMENTS OF GOVERNMENTAL AGENCIES. STANDARD G7405 SPECIFIES THAT THE MATERIAL MUST HAVE A MIXTURE OF PARTICLE SIZES ALL SMALLER THAN 1/2 INCHES. EXISTING NATIVE MATERIAL AND IMPORTED MATERIAL PROVIDED BY A DEVELOPER DOES NOT HAVE TO BE TESTED BY AN INDEPENDENT PROFESSIONAL TESTING FIRM IF, IN THE OPINION OF THE INSPECTOR, IT MEETS THE G7405 SPECIFICATION.

SHADING MATERIAL FOR ELECTRIC TRENCH ONLY: ELECTRIC SHADING MATERIAL (ESM) SPECIFICATION.

ACCEPTABLE MATERIAL FOR (DB) DIRECT BURIED CONDUITS.

NATURAL SAND, MANUFACTURED SAND, DECOMPOSED GRANITE, ROCK FREE SANDY LOAM, EXISTING NATIVE MATERIAL OR COMBINATION THEREOF. AGGREGATE COMPOSITION SHALL BE CAPABLE OF PASSING THROUGH A 1/2 INCH SIEVE. GRAVELS SHALL NOT AMOUNT TO MORE THAN 50% OF THE MIXTURE. SCREENING OR OTHER SUITABLE MEANS MAY BE REQUIRED AT THE DISCRETION OF THE SDG&E INSPECTOR TO MEET THIS (ESM) SHADING MATERIAL SPECIFICATION. NOT ACCEPTABLE ARE SOILS OF HIGHLY ORGANIC CONTENT IDENTIFIED BY ODOR OR SPONGY FEEL AND HIGHLY PLASTIC (SOGGY) CLAYS, SILTS OR METALLIC SLAG.

BASE AND SHADING MATERIAL FOR JOINT GAS AND ELECTRIC TRENCH:

WHEN BOTH GAS AND ELECTRIC ARE INSTALLED IN THE SAME TRENCH, THE BASE AND SHADING MATERIAL WHICH COMPLIES WITH GAS STANDARD G7405 SHALL BE USED FOR THE GAS PIPE. ELECTRIC SHADING MATERIAL (ESM) MAY BE USED FOR SHADING MATERIAL ON ELECTRIC CONDUIT.

BACKFILL MATERIAL FOR GAS AND/OR ELECTRIC:

THE MATERIAL USED FOR BACKFILLING THE TRENCH ABOVE THE SHADING MATERIAL AND EXTENDING UPWARD TO THE SUBGRADE SHALL BE FREE OF ROCKS OR CLODS LARGER THAN 6 INCHES IN ANY DIMENSION. THE COARSE MATERIAL SHALL BE WELL DISTRIBUTED THROUGHOUT THE FINER MATERIAL. THE AMOUNT OF ROCKS OR CLODS SHALL BE LIMITED, IN THE OPINION OF THE INSPECTOR, TO ALLOW FOR BAR TESTING FOR GAS LEAKS. THE BACKFILL MATERIAL SHALL MEET THE REQUIREMENTS OF ALL APPLICABLE CODES, ORDINANCES AND SDG&E STANDARDS AND BE FREE OF DEBRIS AND ORGANIC MATTER. 1-SACK CONCRETE SLURRY MIX MAY BE USED FOR FOR BACKFILL MATERIAL IF THE PIPE GAS IS SHADED WITH A MINIMUM OF 4 INCHES OF COMPACTED SHADING MATERIAL. 1-SACK CONCRETE SLURRY MIX IS PREFERRED FOR BACKFILL. THE SLURRY INSTALLATION SHALL MEET MEET THE REQUIREMENTS OF GOVERNMENTAL AGENCIES AND SDG&E STANDARDS.

BASE INSTALLATION FOR GAS:

FOR GAS, 3 INCHES OF BASE MATERIAL IS REQUIRED ON THE BOTTOM OF THE TRENCH TO PREVENT DAMAGE FROM ROCKS, SAGS, OR POCKETS.

EARTH TRENCH BOTTOM INSTALLATION FOR ELECTRIC: (EB & DB CONDUIT)

THE 1 INCH EARTH TRENCH BOTTOM SHALL BE STABLE WITH A UNIFORM GRADE CONTAINING NO HARD CLODS, ROCKS, ETC. THAT MAY DAMAGE THE CONDUIT. IF, IN THE OPINION OF THE SDG&E INSPECTOR, THE CONDUIT MAY BE DAMAGED, TAMPING, WETTING OR A 3 INCH BASE ELECTRIC SHADING MATERIAL (ESM) MAY BE REQUIRED.

SHADING INSTALLATION:

A MINIMUM COVER OF 4 INCHES OF COMPACTED SHADING MATERIAL (4 INCHES AFTER COMPACTION) SHALL BE REQUIRED ABOVE THE GAS PIPE AND ELECTRIC CONDUIT. A MINIMUM COVER OF 12 INCHES OF COMPACTED SHADING MATERIAL WILL BE REQUIRED IF, IN THE OPINION OF THE INSPECTOR, THERE IS AN EXCESSIVE AMOUNT OF ROCK AND CLODS IN THE BACKFILL. THE SHADING MATERIAL MUST BE INSTALLED AND COMPACTED AT EACH LEVEL BEFORE INSTALLING THE NEXT UTILITY. THE SHADING MATERIAL MUST BE INSTALLED BEFORE THE TRENCH IS BACKFILLED TO PREVENT DAMAGE FROM ROCKS, CLODS, ETC. GAS PIPE SHALL NEVER BE CONCRETE OR SLURRY ENCASED, AND SHALL HAVE THE PROPER BASE, SHADING, BACKFILL, AND COMPACTION.

© 1998 - 2005 San Diego Gas & Electric Company. All rights reserved. Removal of this copyright notice without permission is not permitted under law.

SERVICE GUIDE	Indicates Latest Revision	Completely Revised	New Page	Information Removed	GAS STD. D7403.3
3370.3	SDG&E ELECTRIC STANDARDS				REVISION
	UNDERGROUND DISTRIBUTION (UD) TRENCHES AND UTILITY POSITIONING - S.D. COUNTY				DATE 3-1-02 APPD [Signature]

COMPACTION:

EXTREME CARE SHALL BE TAKEN TO ENSURE THAT SHADING MATERIAL IS ADEQUATELY COMPACTED BOTH UNDERNEATH AND AROUND GAS PIPE AND FITTINGS TO PREVENT EXCESSIVE STRESS AND SHEARING FORCES. HAND TEMP AROUND FITTINGS WHERE MECHANICAL COMPACTION CANNOT BE USED. COMPACTION WITH A HYDRHAMMER OR SIMILAR EQUIPMENT SHALL NOT BE ALLOWED ON TRENCHES WHERE POLYETHYLENE PIPE HAS BEEN INSTALLED. WHEN THE SHEEP'S FOOT METHOD OF COMPACTION IS USED, A MINIMUM OF 18" OF COVER IS REQUIRED BEFORE COMPACTION. WHEEL ROLLING WITH A HEAVY VEHICLE, COMBINED WITH ADEQUATE MECHANICAL COMPACTION, IF NEEDED, IS ALLOWED FOR COMPACTION BACKFILL MATERIAL PROVIDED A MINIMUM OF 4 INCHES OF MECHANICALLY COMPACTED SHADE MATERIAL AND A MINIMUM OF 12" OF BACKFILL MATERIAL EXISTS OVER THE GAS PIPE OR ELECTRICAL CONDUIT. WHEN FLOODING OF THE TRENCH IS DONE TO CONSOLIDATE BACKFILL, CARE MUST BE TAKEN TO ENSURE THAT GAS PIPE OR ELECTRIC CONDUIT HAS NOT FLOATED FROM ITS POSITION IN THE TRENCH. COMPACTION BY THE WATER JETTING METHOD IS NOT ALLOWED. ALLOWED. SHADING AND BACKFILL SHALL BE COMPACTED IN ACCORDANCE WITH GOVERNMENTAL AGENCIES AND SHALL HAVE A MINIMUM OF 90 PERCENT RELATIVE COMPACTION.

ALL BASE, SHADING, AND BACKFILL MATERIAL MUST BE APPROVED BY AN SDG&E INSPECTOR.

- (E) ONE OR MORE 5 INCH PRIMARY CONDUITS SHALL BE SLURRY ENCASED.
- (F) FOREIGN UTILITIES MUST NOT BE LOCATED UNDER ANY SDG&E FACILITIES, SUCH AS HANDHOLES, TRANSFORMER PADS, ETC.
- (G) MINIMUM TRENCH WIDTH

	UTILITY	PIPE/CONDUIT SIZE	MINIMUM WIDTH
GAS	SINGLE GAS - SERVICE	1 INCH AND LESS	6 INCHES
	SINGLE GAS	2 INCH	9 INCHES
	SINGLE GAS	3 AND 4 INCHES	12 INCHES
	SINGLE GAS	6 AND 8 INCHES	18 INCHES
ELECT. MAIN TRENCH	ALL CONDUIT SIZES INCLUDING 2 - 5 INCHES		
	ELECTRIC	ALL SIZES	6 INCHES
	JOINT UTILITIES	ALL PERMITTED SIZES (6 AND 8 INCH GAS)	12 INCHES 18 INCHES
	MULTIPLE ELECTRIC	SPACERS AND 1-SACK CONCRETE SLURRY	9 INCHES
ELECT. SERVICE TRENCH	SINGLE ELECT.	2 INCH CONDUIT	6 INCHES
	SINGLE ELECTRIC & FOREIGN UTILITIES (EXCLUDING GAS)	2 INCH CONDUIT	6 INCHES
	ELECTRIC	ALL SIZES	9 INCHES
	SINGLE ELECTRIC & FOREIGN UTILITIES (EXCLUDING GAS)	LARGER THAN 2 INCH	12 INCHES
	JOINT UTILITIES	ALL PERMITTED SIZES	12 INCHES
	MULTIPLE ELECTRIC	SPACERS AND 1-SACK CONCRETE SLURRY	9 INCHES

FOR A GAS OR ELECTRIC SERVICE, IF ANY OBSTRUCTION IS ENCOUNTERED (WATER PIPES, ETC.), A 2 FOOT WIDE X 3 FOOT LONG HOLE MAY BE REQUIRED FOR WORKING ROOM IN THE AREA OF THE OBSTRUCTION. THIS IS TO BE DETERMINED BY AN SDG&E INSPECTOR.

- (H) THE FOREIGN UTILITY (U) SPACE ALLOTMENT MUST BE A MINIMUM OF 6 INCHES BELOW THE GAS MAIN AND 12 INCH RADIAL SEPARATION FROM ALL OTHER UTILITIES MUST BE MAINTAINED (SEE FIGURES 1 AND 5). IF (U) SPACE ALLOTMENT EXCEEDS A 9 INCH HORIZONTAL MEASUREMENT, IT MUST BE PLACED DIRECTLY ABOVE THE ELECTRIC SPACE ALLOTMENTS AND SHALL NOT EXTEND PAST THE OUTER SIDES OF ELECTRIC SPACE ALLOTMENTS. (FOR INSTALLATION PURPOSES, BENCHING THE TRENCH IS NOT ALLOWED), SEE FIGURES 2, 3, & 4. IF (U) SPACE ALLOTMENT IS 9" X 9" OR SMALLER, IT IS ALLOWED AT THE SAME LEVEL AS THE ELECTRIC (SEE FIGURE 6).
- (I) ALL EB CONDUIT, REGARDLESS OF THE SIZE, SHALL BE CONCRETE ENCASED WITH 1-SACK CEMENT SLURRY. DB CONDUIT MAY ALSO BE SLURRY ENCASED IF INCLUDED IN THE MULTIPLE ELECTRIC PACKAGE. IN A SERVICE TRENCH, ALL EB CONDUIT SHALL BE ENCASED WITH CEMENT SLURRY (1 SACK). DB CONDUIT MAY ALSO BE CONCRETE OR SLURRY ENCASED IF INCLUDED IN THE MULTIPLE ELECTRIC PACKAGE.

© 1998 - 2005 San Diego Gas & Electric Company. All rights reserved. Removal of this copyright notice without permission is not permitted under law.

GAS STD. 7403.4	Indicates Latest Revision	Completely Revised	New Page	Information Removed	SERVICE GUIDE
REVISION	SDG&E ELECTRIC STANDARDS				3370.4
DATE 1-1-2000	UNDERGROUND DISTRIBUTION (UD) TRENCHES				
APPD <i>[Signature]</i>	AND UTILITY POSITIONING - S.D. COUNTY				

J) MINIMUM SEPARATION MAIN TRENCH

UTILITY
 TELCO MULTIPLE CONCRETE DUCT (CONDEX), TRANSITE, WATER, SEWER, FUEL, OIL, DIESEL, PROPANE GAS, SPRINKLER, DRAIN, LEACH LINES, STEEL GAS MAIN LARGER THAN 2", PRIVATELY OWNED UTILITIES i.e. PRIVATE TELCO, VIDEO, AUDIO, SECURITY WIRES, FIRE ALARM, STREET LIGHTING, ETC..

HORIZONTAL SEPARATION
 NOT PERMITTED IN JOINT TRENCH WITH GAS AND/OR ELECTRIC

WATER, SEWER, EXISTING GAS OR ELECTRIC, STORM DRAINS, STEAM, IRRIGATION PIPE, SPRINKLER PIPE LARGER THAN 4", PRIVATE TELCO TRANSITE, PROPANE GAS

* 5 FEET WITH 3 FEET OF UNDISTURBED SOIL

SEWAGE LEACH LINES OR SEEPAGE PITS

5 FEET FROM MAIN TRENCH FOR EACH 1' DEPTH OF MAIN TRENCH

IRRIGATION, SPRINKLER PIPE 4" AND LESS

* 3 FEET PROVIDED DEPTH OF PIPE DOES NOT EXCEED DEPTH OF GAS OR ELECTRIC

FUEL OIL, GASOLINE, DIESEL

FROM GAS-15 FEET, FROM ELECT.-5 FEET WITH 3 FEET OF UNDISTURBED SOIL

IN CONSIDERATION FOR THE SAFETY OF THE GENERAL PUBLIC, PERSONS ENGAGED IN CONSTRUCTION, PROPERTY, AND FOR THE OPERATION AND MAINTENANCE OF SDG&E SYSTEM, PROPANE GAS LINES ARE NOT PERMITTED IN A JOINT TRENCH WITH SDG&E FACILITIES.

* IF FIELD CONDITIONS WILL NOT PERMIT ANY OF THESE SEPARATIONS, THEN APPROVAL OF REDUCED SEPARATIONS MUST COME FROM BOTH THE CUSTOMER PROJECT PLANNER AND SDG&E INSPECTOR. ON FIELD CONDITIONS THAT WILL NOT PERMIT STANDARD PARALLEL SEPARATIONS, A 12 INCH MINIMUM SEPARATION IS REQUIRED. PROPANE GAS SHALL ALWAYS HAVE A 5 FOOT SEPARATION.

UTILITY
 ALL WET UTILITIES, TELCO, TV, GAS, ELECT.
 FUEL OIL, GASOLINE, DIESEL
 ARC-WELDABLE PIPELINES 3" AND LARGER
 STEAM
 (SEE NOTE)

VERTICAL (CROSSING) SEPARATION MIN.
 6 INCHES
 FROM GAS, 12 INCHES
 FROM ELECT. 6 INCHES
 18 INCHES
 FROM GAS, POLY PIPE 5 FEET
 FROM ELECT., 5 FEET

NOTE: PLACE INSULATING BARRIER BETWEEN STEAM MAIN AND POLYETHYLENE PIPE AND/OR ELECTRIC.

MINIMUM SEPARATION SERVICE TRENCH

IN A SERVICE TRENCH, WATER, SEWER, PROPANE GAS, SPRINKLER, DRAIN, LEACH LINES, PRIVATELY OWNED UTILITIES i.e., PRIVATE TELCO, VIDEO, AUDIO, SECURITY WIRES, FIRE ALARM, STREET LIGHTING, ETC., ARE NOT PERMITTED IN THE SAME TRENCH WITH GAS OR ELECTRIC. WHEN THESE FACILITIES PARALLEL GAS OR ELECTRIC, 12 INCHES SEPARATION BETWEEN SEPARATE TRENCHES SHALL BE MAINTAINED BETWEEN THE UTILITIES WITH AT LEAST 12 INCHES OF UNDISTURBED NATIVE SOIL BETWEEN TRENCHES. PROPANE GAS SHALL ALWAYS HAVE A 5 FOOT SEPARATION. WHEN CROSSING, A 6 INCH VERTICAL SEPARATION IS REQUIRED.

(EXCEPTION) WHEN THERE IS NO SDG&E GAS IN THE SERVICE TRENCH, A SINGLE NATURAL GAS LINE MAY BE INSTALLED IN THE TRENCH, PROVIDED A 12 INCH RADIAL SEPARATION IS MAINTAINED. (THIS IS FOR AN INDIVIDUAL HOUSE ON A CASE BY CASE BASIS, NOT A GROUP OF HOUSES/BUILDINGS).

FUEL OIL, GASOLINE, AND DIESEL LINES MUST MAINTAIN A 15 FOOT SEPARATION FROM GAS PIPELINES AND A FIVE FOOT SEPARATION WITH THREE FEET OF UNDISTURBED SOIL SEPARATION FROM ELECTRIC CONDUITS.

IF FIELD CONDITIONS WILL NOT PERMIT THESE SEPARATIONS, THEN APPROVAL OF REDUCED SEPARATIONS MUST COME FROM BOTH THE CUSTOMER PROJECT PLANNER AND SDG&E INSPECTOR.

WHEN FIELD CONDITIONS WILL NOT PERMIT STANDARD PARALLEL SEPARATIONS, A 12 INCH MINIMUM SEPARATION IS REQUIRED. PROPANE GAS SHALL ALWAYS HAVE A 5 FOOT SEPARATION.

© 1998 - 2005 San Diego Gas & Electric Company. All rights reserved. Removal of this copyright notice without permission is not permitted under law.

SERVICE GUIDE	Indicates Latest Revision	Completely Revised	New Page	Information Removed	GAS STD. 7403.5
3370.5	SDG&E ELECTRIC STANDARDS				REVISION
	UNDERGROUND DISTRIBUTION (UD) TRENCHES AND UTILITY POSITIONING - S.D. COUNTY				DATE 1-1-96 APPD [Signature]

- (K) THE GAS MAIN SHALL BE THE LAST INSTALLED, SHALL BE ON THE PROPERTY SIDE OF THE TRENCH, AND SHALL HAVE A MINIMUM OF INCH PAD (AFTER COMPACTION) OF SHADING MATERIAL THE WIDTH OF THE TRENCH ABOVE ANY FOREIGN UTILITY. ANY CROSSING INVOLVING GAS SHALL MAINTAIN A MINIMUM VERTICAL SEPARATION OF 6 INCHES. A GAS SERVICE INSTALLED IN A MAIN TRENCH OR A SERVICE TRENCH ON PUBLIC PROPERTY SHALL REQUIRE THE SAME COVER AND CLEARANCES AS A GAS MAIN. A GAS SERVICE IN A TRENCH ON PRIVATE PROPERTY MAY BE INSTALLED ON THE SAME LEVEL AS FOREIGN UTILITY OR ELECTRIC, BUT SHALL NOT BE DEEPER THAN THE ELECTRIC SERVICE. SDG&E INSPECTOR IS TO DETERMINE AT WHICH LEVEL THE GAS SERVICE IS INSTALLED ON PRIVATE PROPERTY.
- (L) SDG&E INSTALLED STREET LIGHT CIRCUITS, WHEN INSTALLED ALONE IN A TRENCH, SHALL BE AT A MINIMUM DEPTH OF 24 INCHES EVERYWHERE EXCEPT ON PRIVATE PROPERTY, WHERE THE MINIMUM MAY BE 18 INCHES BELOW FINAL GRADE.
- (M) THE ELECTRIC PRIMARY WILL BE ON THE STREET SIDE OF THE TRENCH. THE SDG&E STREET LIGHT CIRCUITS WILL BE ON THE PROPERTY SIDE OF THE TRENCH WHENEVER POSSIBLE. FOREIGN UTILITY STREET LIGHTS (NOT SERIES) SHALL BE ON THE PROPERTY SIDE OF THE TRENCH AT THE SAME LEVEL AS SDG&E CONDUITS AND SHALL MAINTAIN A 12 INCH RADIAL SEPARATION. ALL UTILITIES SHALL MAINTAIN A 6 INCH SEPARATION WHEN CROSSING ALL SDG&E ELECTRIC. FOR SEPARATION ON THE SERVICE TRENCH, SEE CHART ON PAGE 7403.2 (3370.2).
- (N) MINIMUM HORIZONTAL SEPARATION FROM GAS PIPE TO ANY FOREIGN SUBSTRUCTURE (VAULTS, HANDHOLES, ETC.) SHALL BE 12 INCHES.
- (O) GAS LINES MUST NOT BE LOCATED UNDER ANY STRUCTURE, SUCH AS BUILDINGS, CARPORTS, PATIOS, BREEZEWAYS, EQUIPMENT PADS, AND FACILITIES, SUCH AS SPLICE BOXES FOR ELECTRIC, CATV, TELCO, ETC. TREES OR SHRUBBERY MUST NOT BE PLANTED OVER ANY GAS PIPELINE. A THREE FOOT SEPARATION MUST BE MAINTAINED BETWEEN THE TREE ROOT BALL AND THE GAS PIPELINE.
- (P) IF AN AGENCY OR UTILITY SUCH AS THE U.S. GOVERNMENT, SAN DIEGO UNIFIED PORT DISTRICT, TELCO, CATV, ETC. REQUIRES CONCRETE ENCASEMENT, CONCRETE MAY BE SUBSTITUTED FOR THE BACKFILL. BASE & SHADING SHALL BE PER SDG&E STANDARDS. ON SDG&E CONDUITS, EITHER DIRECT BURIED OR CONCRETE ENCASED, A MINIMUM INCH COMPACTED SHADING MATERIAL SHALL BE INSTALLED OVER THE UPPERMOST DB CONDUITS BEFORE THE CONCRETE BACKFILL IS INSTALLED. ALL OTHER INSTALLATIONS SHALL PROVIDE THE REQUIRED MATERIALS AS SPECIFIED IN THIS STANDARD AND STANDARDS 3365 & 3376. NOTE: THE GAS MAIN, GAS SERVICE SHALL NEVER BE CONCRETE OR SLURRY ENCASED AND SHALL HAVE THE PROPER BASE, SHADING, BACKFILL, AND COMPACTION.
- Q. MINIMUM SEPARATION OF ANY FOREIGN UTILITY INCLUDING WATER PIPES, SEWER, ETC., FROM SDG&E SUBSTRUCTURES SHALL BE 12 INCHES. PROPANE GAS SHALL BE 5 FEET.

REFERENCE:

- (R) SEE STANDARD PAGE 3364.1 FOR UTILITY LOCATIONS IN LOCAL AND COLLECTOR STREETS.
- S. SEE STANDARD PAGE 3364.2 FOR UTILITY LOCATIONS IN MAJOR STREETS, PRIME ARTERIALS AND EXPRESSWAYS.
- T. SEE STANDARD PAGE 3364.3 FOR JOINT TRENCH TYPICAL LOCATION FOR UNDERGROUND CONVERSIONS.
- (U) SEE STANDARD PAGE 3365 FOR IMPORTED OR NATIVE BACKFILL MATERIAL.
- (V) SEE STANDARD PAGE 3365 FOR SLURRY BACKFILL MATERIAL.
- (W) CONCRETE OR CONCRETE SLURRY ENCASEMENT OF ELECTRIC CONDUITS SHALL BE IN ACCORDANCE WITH STANDARD 3376.
- X. SEE STANDARD PAGE 3376, 3421, 3425, 3426, AND 3427 FOR CONDUIT CONFIGURATIONS ALLOWED IN THE SERVICE TRENCH.
- (Y) SEE STANDARD 4620 TELECOMMUNICATIONS INSTALLATION.
- Z. FOR TRENCHING AND SHORING QUESTIONS, SEE SDG&E TRENCHING AND SHORING MANUAL.

© 1998 - 2005 San Diego Gas & Electric Company. All rights reserved. Removal of this copyright notice without permission is not permitted under law.

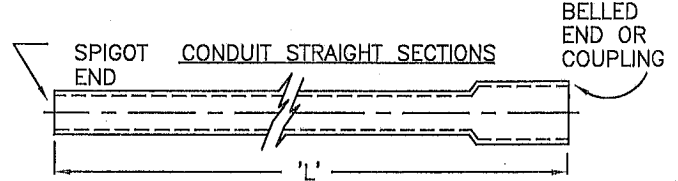
GAS STD. 7403.6		Indicates Latest Revision	Completely Revised	New Page	Information Removed	SERVICE GUIDE
REVISION	SDG&E ELECTRIC STANDARDS					
DATE 1-1-2000 APPD <i>[Signature]</i>	UNDERGROUND DISTRIBUTION (UD) TRENCHES AND UTILITY POSITIONING - S.D. COUNTY					3370.6

SCOPE: THIS STANDARD SHOWS THE CONDUIT AND FITTINGS USED TO CONSTRUCT UNDERGROUND CONDUIT SYSTEMS. CONDUIT AND FITTINGS IN THIS STANDARD SHALL BE USED IN BELOW-GROUND OR BRIDGE CELL APPLICATIONS.

NOTES:

(PVC) POLYVINYLCHLORIDE CONDUIT

- PVC CONDUIT SHALL BE GRAY OR BLACK IN COLOR. NO OTHER COLOR IS ACCEPTABLE FOR SDG&E CONDUIT SYSTEM.
- FOR SCHEDULE 40 AND SCHEDULE 80 ABOVE-GROUND COMPONENTS TO CONSTRUCT CABLE POLE RISERS, SEE UNDERGROUND STANDARD 4204.
- ALL 5" CONDUIT MUST BE ENCASED WITH CONCRETE SLURRY. (1-SACK MIX).
- DB CONDUIT IS REQUIRED FOR INSTALLATIONS REQUIRING DIRECT BURIED MATERIAL, i.e. SAND, DECOMPOSED GRANITE (DG), NATIVE, ETC.
- FOR DIRECT BURIED INSTALLATIONS, DB 60 IS REQUIRED FOR 2", 3" & 5" CONDUIT. DB 100 IS REQUIRED FOR 4" CONDUIT.
- ALL COUPLINGS, BENDS AND SWEEPS CLASSIFIED AS DB ARE TO BE USED WITH DB AND EB CONDUIT.
- DB = DIRECT BURIED CONDUIT.
- EB = ENCASED BURIED CONDUIT.
- THE SHELF LIFE FOR DB CONDUIT, BENDS, AND FITTINGS EXPOSED TO SUNLIGHT IS 6 MONTHS MAXIMUM. 2-#8 FROM A RISER POLE TO THE FIRST LOCATION SHALL BE INSTALLED IN 2" CONDUIT.
- ** - SCHEDULE 40 CONDUIT IS REQUIRED IN BRIDGE CELLS.



CONDUIT SIZE	TYPE	LENGTH 'L'	STOCK NUMBER	ASSEMBLY UNITS		
				1-SACK ENCASE W/SPACERS	PRIMARY	SEC/SERV
2"	DB 60	20'	249632	1EB2IN	1DB2-P	1DB2-S
3"	DB 60	20'	249664	1EB3IN	1DB3-P	1DB3-S
4"	DB 100	20'	249710	1EB4IN	1DB4-P	1DB4-S
5"	DB 60	20'	249728	1, 2DB5SL	-	1DB5-S
	** SCH40	10'	251408	-	S40-5"	S40-5"

(PE) POLYETHYLENE CONDUIT

CONDUIT SIZE	TYPE	COIL LENGTH	STOCK NUMBER	ASSEMBLY UNIT
1"	SDR 9	2000'	249630	1" PE
2"	SCH 40	2500'	252002	-
3"	SCH 40	1000'	252004	-
4"	SDR 15.5	500'	252006	-
5"	SCH 80	20' LENGTHS	252008	-

NOTES:

POLYETHYLENE CONDUIT SHALL BE BLACK OR BLACK WITH THREE EQUALLY SPACED RED STRIPS. NO OTHER COLOR IS ACCEPTABLE FOR THE SDG&E CONDUIT SYSTEM.

CORRUGATED POLYETHYLENE CONDUIT IS NOT ACCEPTABLE FOR THE SDG&E CONDUIT SYSTEM.

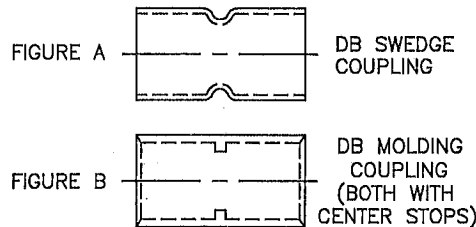
REFERENCE:

SEE STANDARD 3383 FOR SPLICING OR REPAIRING 1" POLYETHYLENE CONDUIT.

NOTES: ***

S/N 280384 SCH 40 PVC MAY BE USED AS A REPLACEMENT ON A TEMPORARY BASIS. (DEPENDS ON SUPPLIER OF COUPLING).

CONDUIT COUPLINGS



FIGURES A & B	
COUPLING CONDUIT SIZE	DB OR EB STOCK NUMBER
2"***	279872
3"	279904
4"	279936
5"	280032

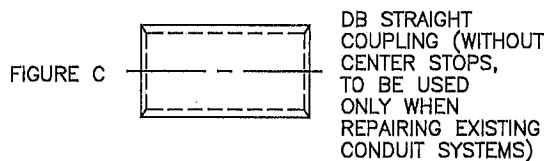
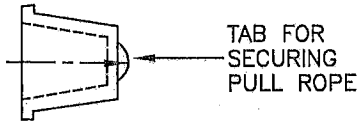


FIGURE C	
COUPLING CONDUIT SIZE	DB OR EB STOCK NUMBER
2"	-
3"	279920
4"	279952
5"	280064

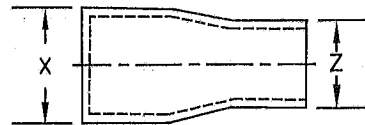
© 1998 - 2005 San Diego Gas & Electric Company. All rights reserved. Removal of this copyright notice without permission is not permitted under law.

SERVICE GUIDE	Indicates Latest Revision	Completely Revised	New Page	Information Removed
REVISION	SDG&E ELECTRIC STANDARDS			
DATE 8-10-04	CONDUIT AND CONDUIT FITTINGS			
APPD TR / JW	3373.1			

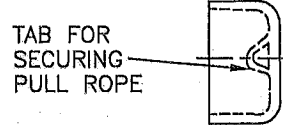
CONDUIT PLUG



CONDUIT BELL REDUCER



CONDUIT END CAP



CONDUIT SIZE	STOCK NUMBER	ASSEMBLY UNITS
2"	544768	PLUG-2
3"	544800	PLUG-3
4"	544704	PLUG-4
5"	544736	PLUG-5

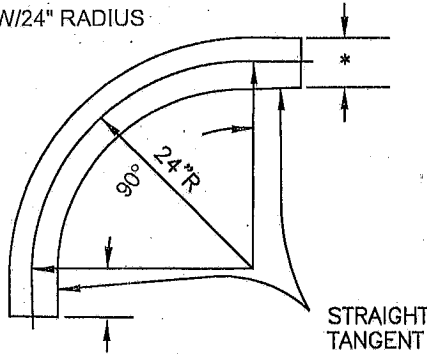
CONDUIT SIZE X TO Z	STOCK NUMBER	ASSEMBLY UNITS
3"-2"	573376	RED3-2
4"-3"	573380	RED4-3
5"-4"	573384	RED5-4

CONDUIT SIZE	STOCK NUMBER	ASSEMBLY UNITS
2"	203296	CAP-02
3"	203328	CAP-03
4"	203360	CAP-04
5"	203392	CAP-05

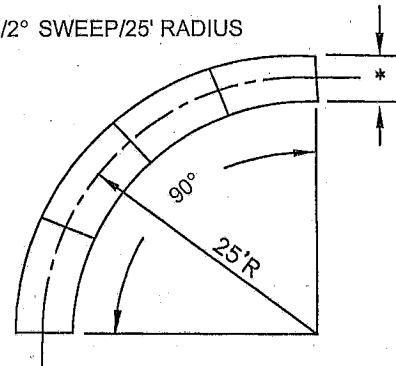
CONDUIT BENDS

(EXAMPLES)

90° ELBOW/24" RADIUS



22-1/2° SWEEP/25' RADIUS



BILL OF MATERIAL:

* NOMINAL CONDUIT SIZE	DEGREE OF CURVATURE	RADIUS OF CURVATURE	TYPE OF CONDUIT	STOCK NUMBER	ASSEMBLY UNITS		
					CONCRETE ENCASE	PRIMARY	SEC/SERV
2"	22-1/2°	25'-0"	DB 60	321808	1EB2-S	1DB2PS	1DB2SS
	45°	24"(SECONDARY ONLY)	DB 60	321920	-	-	1DB2S8
	45°	36"	DB 60	321810	1EB2-8	1DB2-8	-
	90°	24"(SECONDARY ONLY)	DB 60	321984	-	-	1DB2SB
	90°	36"	DB 60	321812	1EB2-B	1DB2-B	-
3"	11-1/4°	25'-0"	DB 60	321876	1EB3-C	1DB3-C	1DB3SC
	22-1/2°	25'-0"	DB 60	322144	1EB3-S	1DB3PS	1DB3SS
	45°	36"	DB 60	321878	1EB3-8	1DB3-8	1DB3S8
	90°	36"	DB 60	322048	1EB3-B	1DB3-B	1DB3SB
4"	11-1/4°	25'-0"	DB 100	321884	1EB4-C	1DB4-C	1DB4SC
	22-1/2°	25'-0"	DB 100	321826	1EB4-S	1DB4PS	1DB4SS
	45°	36"	DB 100	321942	1EB4-8	1DB4-8	1DB4S8
	90°	36"	DB 100	322082	1EB4-B	1DB4-B	1DB4SB
5"	11-1/4°	25'-0"	DB 60	321882	1EB5-C	1DB4-C	1DB5SC
	22-1/2°	25'-0"	DB 60	321856	1EB5-S	1DB5PS	1DB5SS
	45°	36"	DB 60	321960	1EB5-8	1DB5-8	1DB5S8
	90°	36"	DB 60	322112	1EB5-B	1DB5-B	1DB5SB

© 1998 - 2006 San Diego Gas & Electric Company. All rights reserved. Removal of this copyright notice without permission is not permitted under law.

SERVICE GUIDE Indicates Latest Revision Completely Revised New Page Information Removed

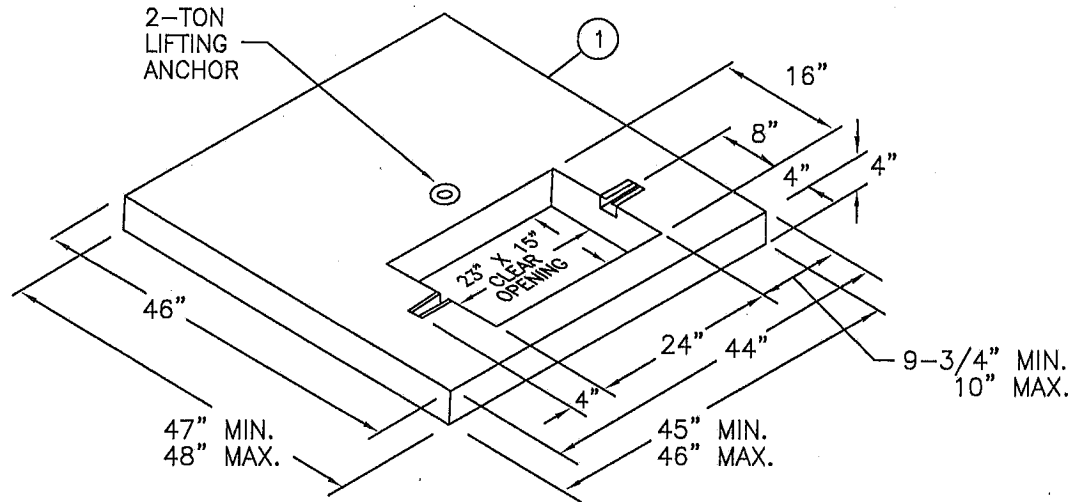
3373.2

SDG&E ELECTRIC STANDARDS
CONDUIT AND CONDUIT FITTINGS
ED AND DB

REVISION
DATE 5-9-06
APPD JJ / MF

SCOPE: THIS STANDARD SHOWS THE PAD AND INSTALLATION REQUIREMENTS FOR THE ALLOWABLE CONDUIT COMBINATIONS AND CONFIGURATIONS FOR A SINGLE-PHASE TRANSFORMER, THREE-PHASE FUSE CABINET, SINGLE-PHASE FUSE CABINET AND SINGLE-PHASE CABLE TERMINATOR.

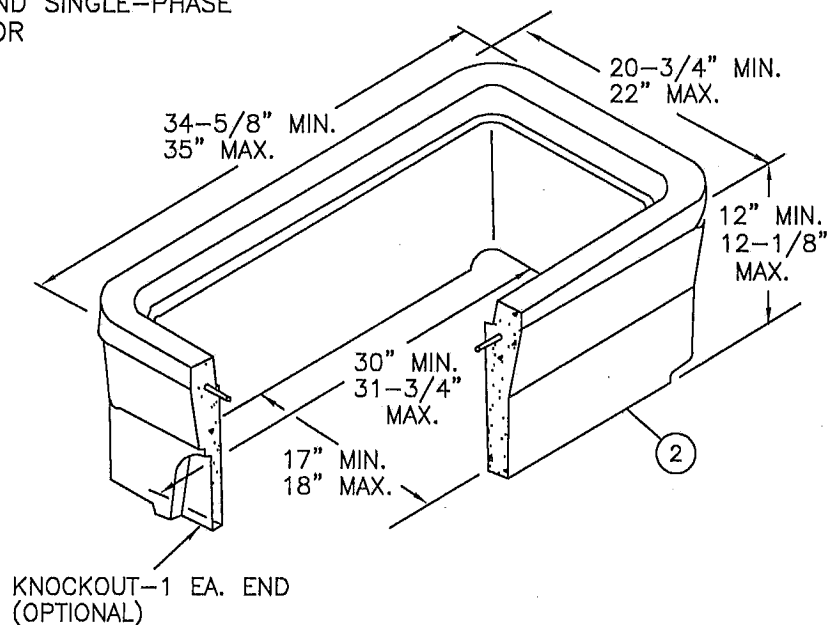
PAD
WEIGHT: 619# MAX.



3312 HANDHOLE

WEIGHT: 185" MAX.

(REQUIRED FOR THREE-PHASE FUSE CABINET, SINGLE-PHASE FUSE CABINET AND SINGLE-PHASE CABLE TERMINATOR)

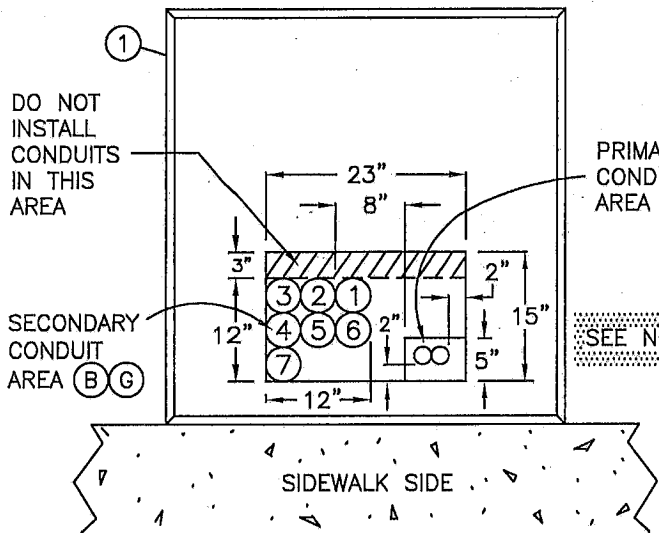


© 1998 - 2005 San Diego Gas & Electric Company. All rights reserved. Removal of this copyright notice without permission is not permitted under law.

SERVICE GUIDE	Indicates Latest Revision	Completely Revised	New Page	Information Removed
REVISION	SDG&E ELECTRIC STANDARDS			3421.1
DATE 1-1-2000	SINGLE-PHASE TRANSFORMER/UTILITY EQUIPMENT PAD			
APPD <i>RW/VK</i>				117 Page

VIEW A

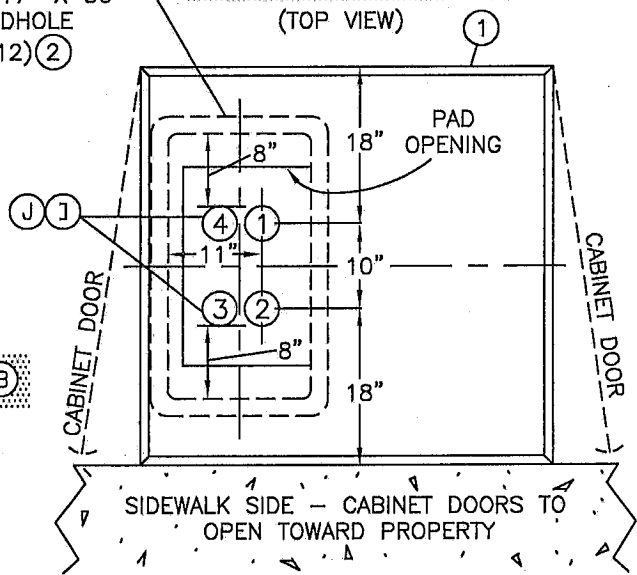
3711, 3712 SINGLE-PHASE TRANSFORMER



VIEW B

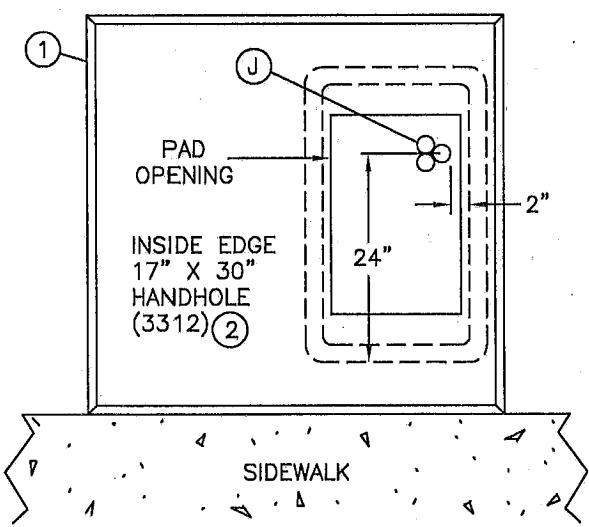
3514 THREE-PHASE FUSE CABINET INSTALLATION

INSIDE EDGE OF 17" X 30" HANDHOLE (3312) (2)



VIEW C

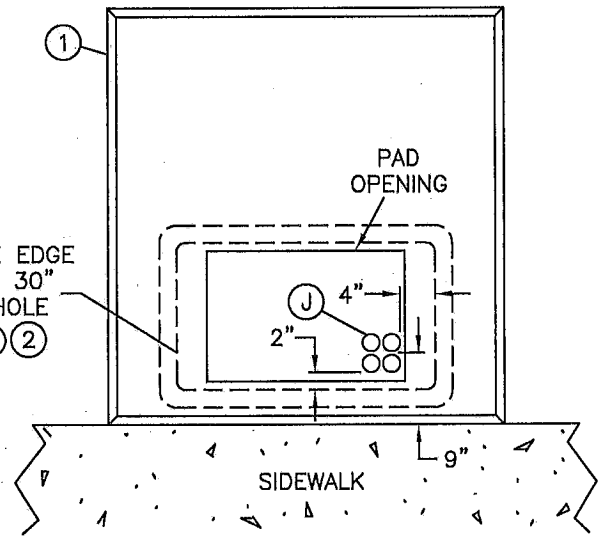
3512 INSTALLATION (TOP VIEW) SINGLE-PHASE FUSE CABINET



VIEW D

3522 INSTALLATION (TOP VIEW) SINGLE-PHASE CABLE TERMINATOR

INSIDE EDGE 17" X 30" HANDHOLE (3312) (2)



© 1998 - 2005 San Diego Gas & Electric Company. All rights reserved. Removal of this copyright notice without permission is not permitted under law.

SERVICE GUIDE	<input checked="" type="checkbox"/> Indicates Latest Revision	<input type="checkbox"/> Completely Revised	<input type="checkbox"/> New Page	<input type="checkbox"/> Information Removed
3421.2	SDG&E ELECTRIC STANDARDS			REVISION
	SINGLE-PHASE TRANSFORMER/UTILITY EQUIPMENT PAD			DATE 12-5-05
				APPD TR / JJ

NOTES:

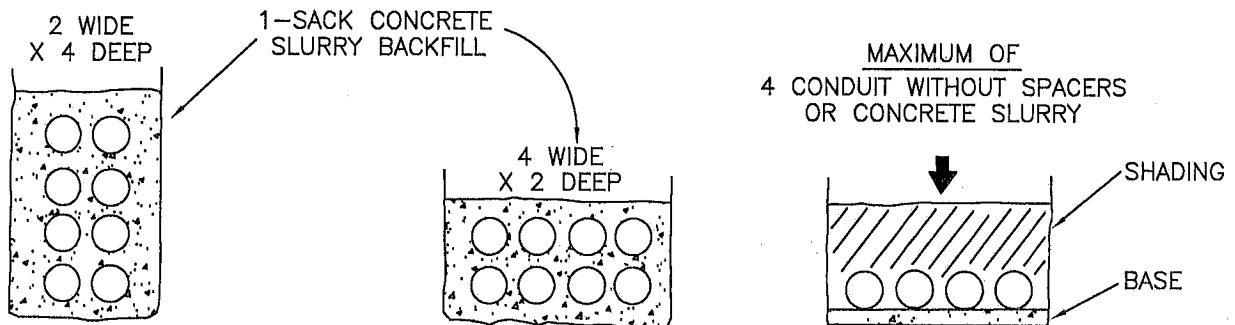
- TRANSFORMER COOLING FINS MAY OVERHANG REAR OF PAD BY 6 INCHES.
- FIVE INCH CONDUIT NOT ALLOWED IN THESE INSTALLATIONS.
- PAD MAY NOT BE POURED-IN-PLACE.

BILL OF MATERIAL:

ITEM	DESCRIPTION	QUANTITY	CONST STD. OR PAGE NO.	STOCK NUMBER	ASSEMBLY UNIT	
1	PAD, SINGLE-PHASE TRANSFORMER/ UTILITY EQUIPMENT PAD	1	3421	514240	3421-1	PAD WITH 3312 HANDHOLE
2	BODY, HANDHOLE	1	3312	162426	3312-1	FC3PAD

INSTALLATION (FOR SINGLE - PHASE TRANSFORMER):

- A. SET PAD LEVEL TO FINAL GRADE AND INSTALL EQUIPMENT GROUND.
- (B) PLACE ALL PRIMARY AND SECONDARY CONDUITS WITHIN THE PAD OPENING AS SHOWN ABOVE. DO NOT CUT INTO THE CURVED PORTION ON THE ELBOWS. RADIUS OF CURVATURE IS 36" MINIMUM FOR 3 INCH AND 4 INCH CONDUITS. PLACE ALL CONDUIT WITH 3/0 OR LARGER CABLE TOWARDS THE REAR OF THE 12 INCH SECONDARY AREA. **NOTE: PRIMARY CONDUITS IN RIGHT HAND CORNER SHALL HAVE 2" CLEARANCE FROM FRONT AND SIDE OF PAD.**
- (C) THE CONDUIT CONFIGURATION REQUIREMENT BETWEEN TERMINATING POINTS LIMITS THE SECONDARY CONDUIT CONFIGURATION TO 2 WIDE X 4 DEEP OR 4 WIDE X 2 DEEP (NO ONE CONDUIT IS TO BE COMPLETELY SURROUNDED ON ALL FOUR SIDES BY OTHER CONDUITS), USING SPACERS AND 1 SACK CONCRETE SLURRY BACKFILL. CONDUITS MAY ALSO BE INSTALLED SIDE BY SIDE ON THE BOTTOM OF THE TRENCH WITHOUT SPACERS OR CONCRETE SLURRY (4 CONDUITS MAX.). IN THE TRANSITION AREA WHERE THE CONDUITS FROM THE BOTTOM OF THE TRENCH START TOWARD THE SURFACE (THE STRAIGHT PORTION BY THE 90° BEND), SPACERS MAY BE REQUIRED TO ALLOW THE 90° BENDS TO ENTER STRAIGHT INTO THE PAD OPENING. AT THE SURFACE POINT, THE CONDUITS MAY BE BUNDLED TOGETHER. USE SDG&E APPROVED BASE, SHADING AND BACKFILL.



© 1998 - 2005 San Diego Gas & Electric Company. All rights reserved. Removal of this copyright notice without permission is not permitted under law.

SERVICE GUIDE	<input checked="" type="checkbox"/> Indicates Latest Revision	<input type="checkbox"/> Completely Revised	<input type="checkbox"/> New Page	<input type="checkbox"/> Information Removed
REVISION	SDG&E ELECTRIC STANDARDS			3421.3
DATE 7-13-05	SINGLE-PHASE TRANSFORMER/ UTILITY EQUIPMENT PAD			
APPD TR / JJ				

- D. THE PRIMARY AND SECONDARY CONDUIT COMBINATIONS ALLOWED ARE SHOWN IN THE CHART BELOW. READDOWN DESIRED COLUMN UNTIL THE NUMBER OF RUNS BEING INSTALLED ARE LOCATED, THEN READ ACROSS THE ROW CHECKING FOR ADDITIONAL ALLOWABLE RUNS. THE SUM OF THE COLUMNS SHALL NOT EXCEED THE TOTAL CONDUITS ALLOWED.

SECONDARY CONDUIT COMBINATIONS			
2" (EB OR DB)	3" (EB OR DB)	4" (EB OR DB)	TOTAL CONDUITS ALLOWED *
—	6	—	7
2	4	—	7
3	3	—	7
4	2	—	7
7	—	—	7
1	—	4	5
—	1	4	5
1	1	3	5
—	3	2	5
—	4	1	5
4	—	3	7
5	—	2	7
6	—	1	7

PRIMARY CONDUIT COMBINATIONS		
2" (EB OR DB)	3" (EB OR DB)	TOTAL CONDUITS ALLOWED **
4	—	4
2	2	4
2	1	3
1	2	3
2	—	2
—	2	2
1	—	1
—	1	1

* SECONDARY CONDUITS MAY INCLUDE TWO ADDITIONAL ONE INCH CONDUITS FOR STREET LIGHTS.

** 1-4 OR 1-5 INCH PRIMARY CONDUIT IS ALLOWED WHEN THE CONDUIT IS EXTENDED FROM AN EXISTING STUBOUT.

- E. TERMINATE PRIMARY AND SECONDARY CONDUITS FLUSH WITH TOP OF PAD.
- (F) WHEN THE NUMBER OF REQUIRED CONDUITS IS LESS THAN THE TOTAL CONDUITS ALLOWED IN THE TABLE, INSTALL CONDUITS IN NUMBERED SEQUENCE AS SHOWN ON 3421.2.
- G. IN SOFT SOILS, A CONCRETE BACKFILL (1-SACK MIX) 12 INCHES BEYOND THE SIDE EDGES OF THE PAD AND 12 INCHES DEEP IS REQUIRED UNDER THE TRANSFORMER PAD.

INSTALLATION (FOR THREE - PHASE FUSE CABINET)

- H. SET PAD LEVEL TO FINAL GRADE AND INSTALL EQUIPMENT GROUND. TERMINATE CONDUITS 3 INCHES ABOVE BOTTOM OF HANDHOLE. INSTALL CONDUITS.
- (I) THE MAXIMUM PRIMARY CONDUITS ALLOWED ARE ULTIMATE 4 RUNS OF 4" CONDUIT. AS SHOWN ON PG. 3421.2.

INSTALLATION (FOR SINGLE - PHASE FUSE SWITCHING CABINET AND SINGLE - PHASE TERMINATOR)

- (J) SET PAD LEVEL TO FINAL GRADE AND INSTALL EQUIPMENT GROUND. TERMINATE CONDUITS 3 INCHES ABOVE BOTTOM OF HANDHOLE. INSTALL CONDUITS AS SHOWN ON PG. 3421.2.
- INSTALL CONDUITS #1 & 2 WHENEVER THERE IS JUST ONE LINE & ONE LOAD CABLE. INSTALL CONDUITS #3 & OR #4 FOR THE SECOND LOAD OR LINE CABLE (SEE STANDARD 3513 FOR CABLE INSTALLATION ON FUSE CABINET).

© 1998 - 2010 San Diego Gas & Electric Company. All rights reserved. Removal of this copyright notice without permission is not permitted under law.

SERVICE GUIDE	<input checked="" type="checkbox"/> Indicates Latest Revision	<input type="checkbox"/> Completely Revised	<input type="checkbox"/> New Page	<input type="checkbox"/> Information Removed
REVISION	SDG&E ELECTRIC STANDARDS			3421.4
DATE 10-19-10	SINGLE-PHASE TRANSFORMER/UTILITY EQUIPMENT PAD			
APPD TR/MJC				

REFERENCE:

- M. SEE STANDARD 3211 FOR PAD IDENTIFICATION.
- N. SEE STANDARD 3370 OR 3371 FOR TRENCH, UTILITY POSITIONING, SHADING AND BACKFILL REQUIREMENTS.
- O. SEE STANDARD 3376 FOR CONCRETE SLURRY, SHADING AND TYPE OF CONDUIT.
- P. SEE STANDARD 3481 FOR BARRIER PROTECTION AND CLEARANCE.
- Q. SEE STANDARD 3486 FOR SINGLE-PHASE TRANSFORMER LOCATIONS NEXT TO CATV AND/OR TELCO.
- R. SEE STANDARD 3483 FOR MINIMUM OPERATING AND CLEARANCE REQUIREMENTS (PAD PLACEMENT).
- S. SEE STANDARD 3484 FOR PAD INSTALLATION OF PAD-MOUNTED EQUIPMENT.
- T. SEE STANDARD 3486 FOR RETAINING WALL REQUIREMENTS AND CLEARANCES FROM REVERSE SUBGRADE RETAINING WALLS.
- U. SEE STANDARD 3485 AND 3487 FOR RETAINING WALLS.
- V. SEE STANDARD 3512 FOR SINGLE-PHASE FUSED SWITCHING CABINET.
- W. SEE STANDARD 3522 FOR SINGLE-PHASE TERMINATOR INSTALLATION.
- X. SEE STANDARDS 3711, 3712 AND 3713 FOR TRANSFORMER INSTALLATIONS.
- Y. SEE STANDARD 4512 FOR EQUIPMENT GROUNDING.
- Z. SEE STANDARD 4514 FOR GROUNDING TELCO CONDUCTOR IN PAD-MOUNTED EQUIPMENT.

© 1998 - 2005 San Diego Gas & Electric Company. All rights reserved. Removal of this copyright notice without permission is not permitted under law.

SERVICE GUIDE	Indicates Latest Revision	Completely Revised	New Page	Information Removed
REVISION	SDG&E ELECTRIC STANDARDS			
DATE 1-1-96 APPD <i>[Signature]</i>	SINGLE-PHASE TRANSFORMER/UTILITY EQUIPMENT PAD			3421.5

SCOPE: THIS STANDARD SHOWS THE (PREFERRED I) TRENCH GROUND WIRE INSTALLATION USED TO PROVIDE GROUNDING. THIS METHOD SHALL BE USED WHEN THE SAME PARTY IS RESPONSIBLE FOR THE CONDUIT AND PAD INSTALLATION AND WHEN A SYSTEM NEUTRAL FROM A SUBSTATION OR GROUNDING BANK IS PRESENT. USE ALTERNATE TRENCH GROUND WIRE METHOD PAGE 4510.2 WHEN A SYSTEM NEUTRAL IS NOT PRESENT. (G)

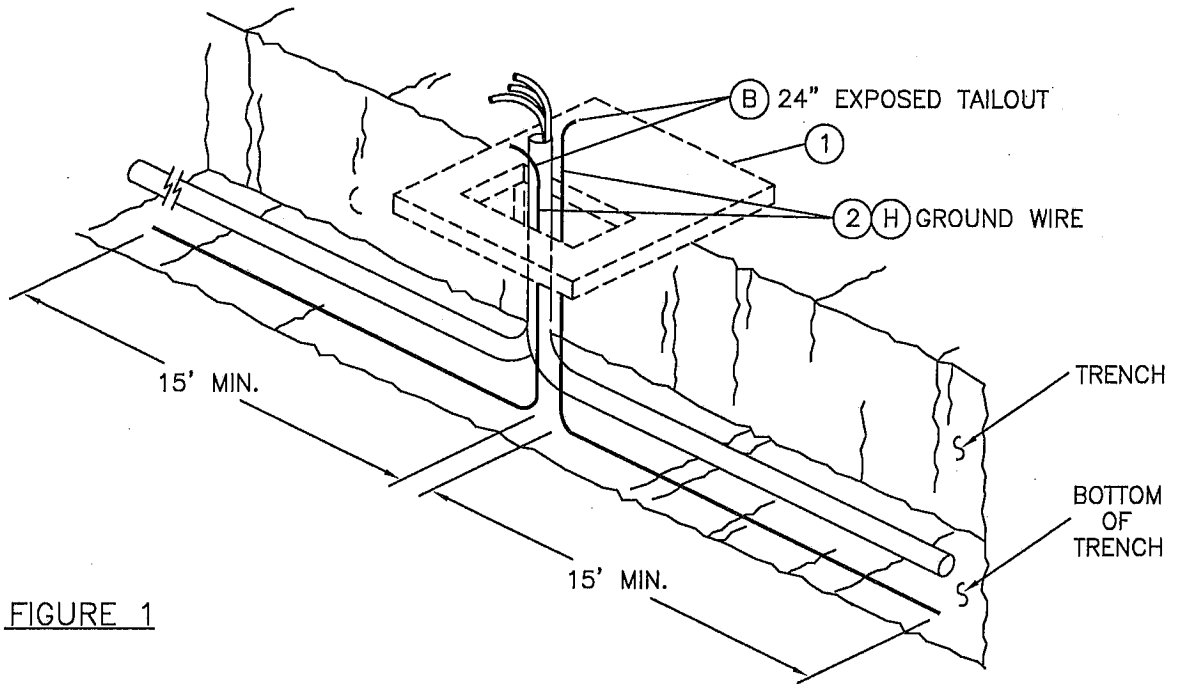


FIGURE 1

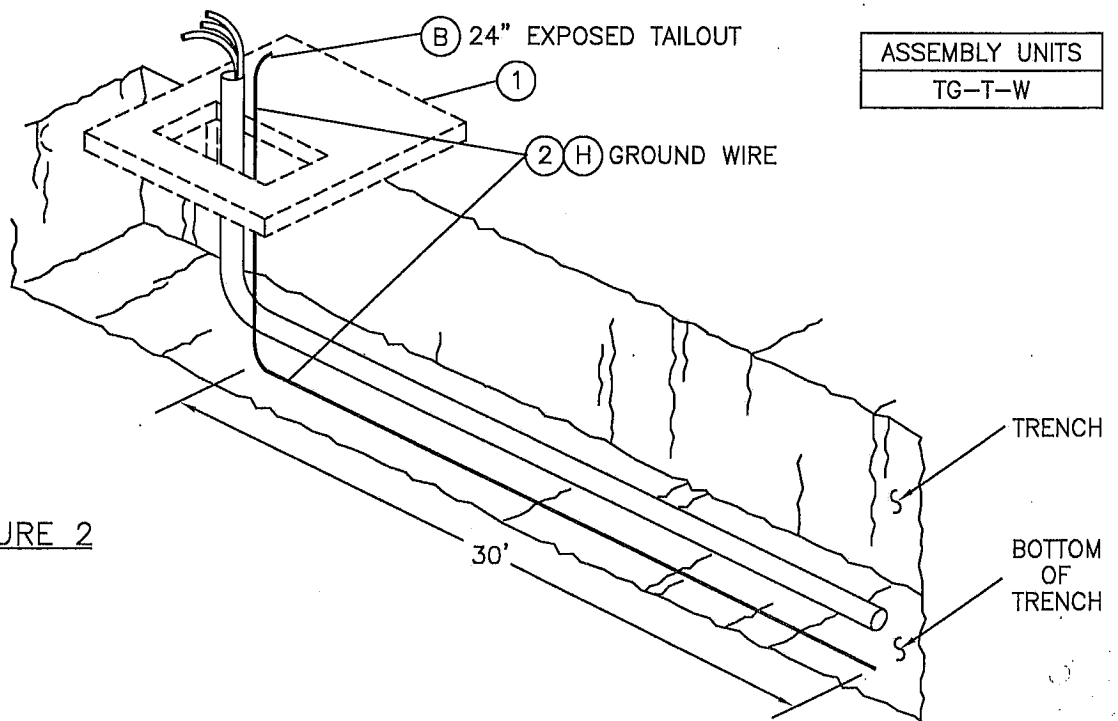


FIGURE 2

© 1998 - 2005 San Diego Gas & Electric Company. All rights reserved. Removal of this copyright notice without permission is not permitted under law.

SERVICE GUIDE	Indicates Latest Revision	Completely Revised	New Page	Information Removed
REVISION	SDG&E ELECTRIC STANDARDS			4510.1
DATE 1-1-96	TRENCH GROUND WIRE (PREFERRED I)			
APPD <i>[Signature]</i>	Los Peñasquitos / Black Mountain Ranger Station Appendix B - SDG&E Permitted Work			122 Page

SCOPE: THIS STANDARD SHOWS THE ALTERNATE TRENCH GROUND WIRE INSTALLATION USED TO PROVIDE GROUNDING. THIS METHOD SHALL BE USED WHEN THE SAME PARTY IS RESPONSIBLE FOR THE CONDUIT AND PAD INSTALLATION AND WHEN A SYSTEM NEUTRAL FROM A SUBSTATION OR GROUNDING BANK IS NOT PRESENT. USE PREFERRED GROUNDING METHOD ON PAGE 4510.1 WHEN A SYSTEM NEUTRAL IS PRESENT. (G)

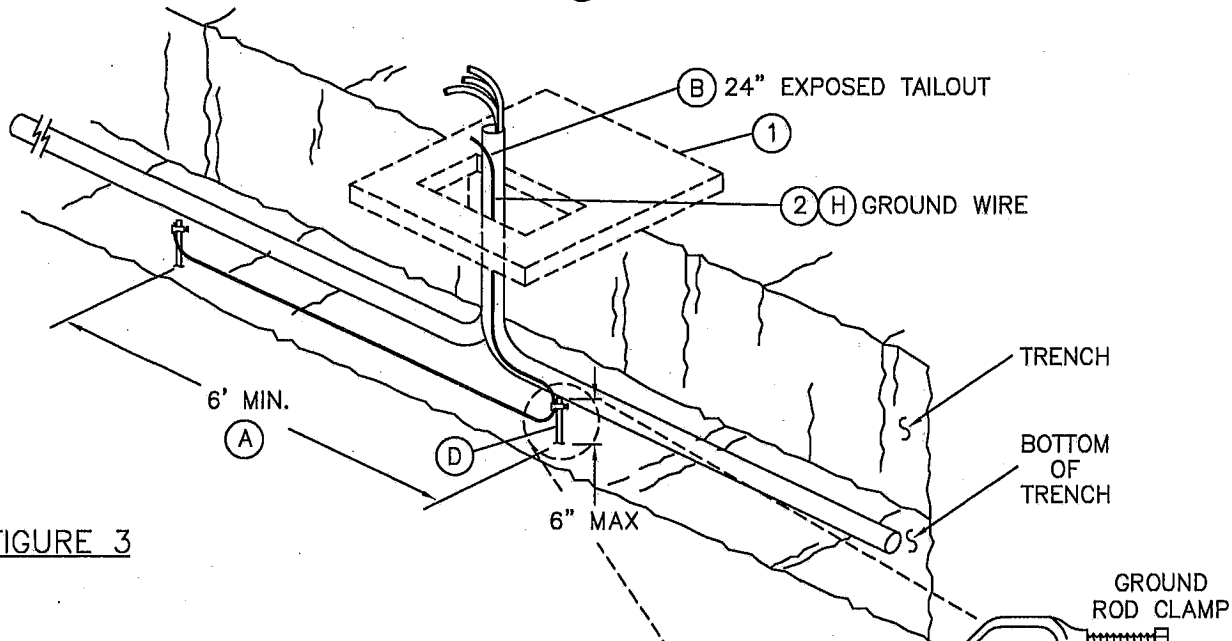


FIGURE 3

ASSEMBLY UNITS
TG-T-R

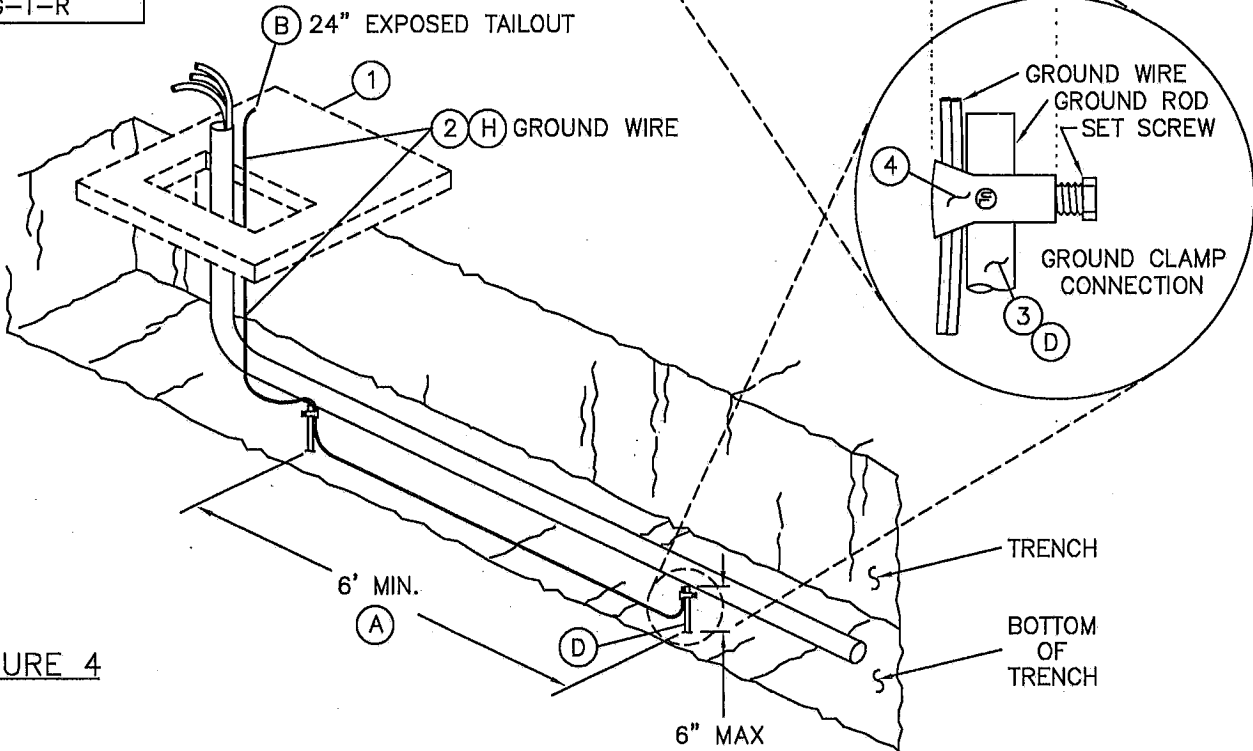


FIGURE 4

© 1998 - 2005 San Diego Gas & Electric Company. All rights reserved. Removal of this copyright notice without permission is not permitted under law.

SERVICE GUIDE	Indicates Latest Revision	Completely Revised	New Page	Information Removed
SDG&E ELECTRIC STANDARDS				
4510.2	TRENCH GROUND WIRE (ALTERNATE)			REVISION DATE 1-1-96 APPD <i>[Signature]</i>

BILL OF MATERIAL:

ITEM	DESCRIPTION	QUANTITY	STOCK NUMBER	ASSEMBLY UNIT
1	PAD	1	REFER TO WORK ORDER	-
2	WIRE, BARE COPPER, #2, 7 STR. SOFT DRAWN	AS REQ'D	812816 (F)	GDWIRE
3	GROUND ROD, 5/8" X 8'-0", COPPERWELD	AS REQ'D	603072	-
4	GROUND ROD, CLAMP	AS REQ'D	230016	-

NOTESCUSTOMERS SERVICE TRENCH:

- THE SERVICE TRENCH IS ON PRIVATE PROPERTY AND BELONGS TO THE CUSTOMER, THEREFORE, THE TRENCH GROUND WIRE SHOULD NOT BE INSTALLED IN THE CUSTOMER TRENCH. THE SITUATION IS DIFFERENT ON A RULE 16 JOB WHERE THE PAD-MOUNTED EQUIPMENT, PRIMARY/SECONDARY AND SERVICE TRENCH ARE ALL ON PRIVATE PROPERTY AND THE PAD AND CONDUIT BELONGS TO THE CUSTOMER AND REMAINS THE CUSTOMERS RESPONSIBILITY. IN THIS CASE, THE TRENCH GROUND WIRE COULD BE INSTALLED IN EITHER THE PRIMARY/SECONDARY OR THE SERVICE TRENCH.

INSTALLATION:

- (A) GROUND RODS TO HAVE A 6 FOOT MINIMUM SEPARATION.
- (B) LEAVE 24 INCHES OF WIRE (EXPOSED TAILOUT) ABOVE THE TOP OF FINAL GRADE.
- C. USE EQUIPMENT GROUNDING INSTALLATION (PREFERRED II) ON STANDARD PAGE 4512.1 IF TRENCH GROUND WIRE WAS NOT INSTALLED PRIOR TO BACKFILLING THE TRENCH.
- (D) LOCATE GROUND RODS SO THEY DO NOT TOUCH CONDUITS. GENERAL ORDER 128 REQUIRES GROUND RODS TO BE DRIVEN. THEY MAY BE DRIVEN AT AN ANGLE IF IT IS DIFFICULT IF NOT IMPOSSIBLE TO DRIVE STRAIGHT DOWN.

REFERENCE:

- E. SEE STANDARD 3484.1 FOR PAD INSTALLATION OF PAD-MOUNTED EQUIPMENT.
- (F) SEE STANDARD 4002.2 FOR WIRE INFORMATION.
- (G) SEE STANDARD PAGE 4512.1 FOR (PREFERRED II) EQUIPMENT GROUNDING INSTALLATION WHEN DIFFERENT PARTIES ARE RESPONSIBLE FOR THE CONDUIT AND PAD INSTALLATION.
- (H) SEE STANDARD 4512.2 FOR EQUIPMENT GROUNDING INSTALLATION.

© 1998 - 2005 San Diego Gas & Electric Company. All rights reserved. Removal of this copyright notice without permission is not permitted under law.

SERVICE GUIDE	Indicates Latest Revision	Completely Revised	New Page	Information Removed
REVISION	SDG&E ELECTRIC STANDARDS			4510.3
DATE 1-1-91	TRENCH GROUND WIRE (PREFERRED I OR ALTERNATE)			
APPD <i>[Signature]</i>				

APPENDIX C

Materials Typically Accepted by Certificate of Compliance

Materials Typically Accepted by Certificate of Compliance

1. Soil amendment
2. Fiber mulch
3. PVC or PE pipe up to 16 inch diameter
4. Stabilizing emulsion
5. Lime
6. Preformed elastomeric joint seal
7. Plain and fabric reinforced elastomeric bearing pads
8. Steel reinforced elastomeric bearing pads
9. Waterstops (Special Condition)
10. Epoxy coated bar reinforcement
11. Plain and reinforcing steel
12. Structural steel
13. Structural timber and lumber
14. Treated timber and lumber
15. Lumber and timber
16. Aluminum pipe and aluminum pipe arch
17. Corrugated steel pipe and corrugated steel pipe arch
18. Structural metal plate pipe arches and pipe arches
19. Perforated steel pipe
20. Aluminum underdrain pipe
21. Aluminum or steel entrance tapers, pipe downdrains, reducers, coupling bands and slip joints
22. Metal target plates
23. Paint (traffic striping)
24. Conductors
25. Painting of electrical equipment
26. Electrical components
27. Engineering fabric
28. Portland Cement
29. PCC admixtures
30. Minor concrete, asphalt
31. Asphalt (oil)
32. Liquid asphalt emulsion
33. Epoxy

APPENDIX D

Fire Hydrant Meter Program

CITY OF SAN DIEGO CALIFORNIA DEPARTMENT INSTRUCTIONS	NUMBER DI 55.27	DEPARTMENT Water Department
SUBJECT FIRE HYDRANT METER PROGRAM (FORMERLY: CONSTRUCTION METER PROGRAM)	PAGE 1 OF 10	EFFECTIVE DATE October 15, 2002
	SUPERSEDES DI 55.27	DATED April 21, 2000

1. **PURPOSE**

- 1.1 To establish a Departmental policy and procedure for issuance, proper usage and charges for fire hydrant meters.

2. **AUTHORITY**

- 2.1 All authorities and references shall be current versions and revisions.
- 2.2 San Diego Municipal Code (NC) Chapter VI, Article 7, Sections 67.14 and 67.15
- 2.3 Code of Federal Regulations, Safe Drinking Water Act of 1986
- 2.4 California Code of Regulations, Titles 17 and 22
- 2.5 California State Penal Code, Section 498B.0
- 2.6 State of California Water Code, Section 110, 500-6, and 520-23
- 2.7 Water Department Director

Reference

- 2.8 State of California Guidance Manual for Cross Connection Programs
- 2.9 American Water Works Association Manual M-14, Recommended Practice for Backflow Prevention
- 2.10 American Water Works Association Standards for Water Meters
- 2.11 U.S.C. Foundation for Cross Connection Control and Hydraulic Research Manual

3. **DEFINITIONS**

- 3.1 **Fire Hydrant Meter:** A portable water meter which is connected to a fire hydrant for the purpose of temporary use. (These meters are sometimes referred to as Construction Meters.)

CITY OF SAN DIEGO CALIFORNIA DEPARTMENT INSTRUCTIONS	NUMBER DI 55.27	DEPARTMENT Water Department
SUBJECT FIRE HYDRANT METER PROGRAM (FORMERLY: CONSTRUCTION METER PROGRAM)	PAGE 2 OF 10	EFFECTIVE DATE October 15, 2002
	SUPERSEDES DI 55.27	DATED April 21, 2000

- 3.2 **Temporary Water Use:** Water provided to the customer for no longer than twelve (12) months.
- 3.3 **Backflow Preventor:** A Reduced Pressure Principal Assembly connected to the outlet side of a Fire Hydrant Meter.

4. **POLICY**

- 4.1 The Water Department shall collect a deposit from every customer requiring a fire hydrant meter and appurtenances prior to providing the meter and appurtenances (see Section 7.1 regarding the Fees and Deposit Schedule). The deposit is refundable upon the termination of use and return of equipment and appurtenances in good working condition.
- 4.2 Fire hydrant meters will have a 2 ½" swivel connection between the meter and fire hydrant. The meter shall not be connected to the 4" port on the hydrant. All Fire Hydrant Meters issued shall have a Reduced Pressure Principle Assembly (RP) as part of the installation. Spanner wrenches are the only tool allowed to turn on water at the fire hydrant.
- 4.3 The use of private hydrant meters on City hydrants is prohibited, with exceptions as noted below. All private fire hydrant meters are to be phased out of the City of San Diego. All customers who wish to continue to use their own fire hydrant meters must adhere to the following conditions:
 - a. Meters shall meet all City specifications and American Water Works Association (AWWA) standards.
 - b. Customers currently using private fire hydrant meters in the City of San Diego water system will be allowed to continue using the meter under the following conditions:
 - 1. The customer must submit a current certificate of accuracy and calibration results for private meters and private backflows annually to the City of San Diego, Water Department, Meter Shop.

CITY OF SAN DIEGO CALIFORNIA DEPARTMENT INSTRUCTIONS	NUMBER DI 55.27	DEPARTMENT Water Department
SUBJECT FIRE HYDRANT METER PROGRAM (FORMERLY: CONSTRUCTION METER PROGRAM)	PAGE 3 OF 10	EFFECTIVE DATE October 15, 2002
	SUPERSEDES DI 55.27	DATED April 21, 2000

2. The meter must be properly identifiable with a clearly labeled serial number on the body of the fire hydrant meter. The serial number shall be plainly stamped on the register lid and the main casing. Serial numbers shall be visible from the top of the meter casing and the numbers shall be stamped on the top of the inlet casing flange.
3. All meters shall be locked to the fire hydrant by the Water Department, Meter Section (see Section 4.7).
4. All meters shall be read by the Water Department, Meter Section (see Section 4.7).
5. All meters shall be relocated by the Water Department, Meter Section (see Section 4.7).
6. These meters shall be tested on the anniversary of the original test date and proof of testing will be submitted to the Water Department, Meter Shop, on a yearly basis. If not tested, the meter will not be allowed for use in the City of San Diego.
7. All private fire hydrant meters shall have backflow devices attached when installed.
8. The customer must maintain and repair their own private meters and private backflows.
9. The customer must provide current test and calibration results to the Water Department, Meter Shop after any repairs.
10. When private meters are damaged beyond repair, these private meters will be replaced by City owned fire hydrant meters.

CITY OF SAN DIEGO CALIFORNIA DEPARTMENT INSTRUCTIONS	NUMBER DI 55.27	DEPARTMENT Water Department
SUBJECT FIRE HYDRANT METER PROGRAM (FORMERLY: CONSTRUCTION METER PROGRAM)	PAGE 4 OF 10	EFFECTIVE DATE October 15, 2002
	SUPERSEDES DI 55.27	DATED April 21, 2000

11. When a private meter malfunctions, the customer will be notified and the meter will be removed by the City and returned to the customer for repairs. Testing and calibration results shall be given to the City prior to any re-installation.
 12. The register shall be hermetically sealed straight reading and shall be readable from the inlet side. Registration shall be in hundred cubic feet.
 13. The outlet shall have a 2 ½ “National Standards Tested (NST) fire hydrant male coupling.
 14. Private fire hydrant meters shall not be transferable from one contracting company to another (i.e. if a company goes out of business or is bought out by another company).
- 4.4 All fire hydrant meters and appurtenances shall be installed, relocated and removed by the City of San Diego, Water Department. All City owned fire hydrant meters and appurtenances shall be maintained by the City of San Diego, Water Department, Meter Services.
- 4.5 If any fire hydrant meter is used in violation of this Department Instruction, the violation will be reported to the Code Compliance Section for investigation and appropriate action. Any customer using a fire hydrant meter in violation of the requirements set forth above is subject to fines or penalties pursuant to the Municipal Code, Section 67.15 and Section 67.37.
- 4.6 **Conditions and Processes for Issuance of a Fire Hydrant Meter**
- Process for Issuance
- a. Fire hydrant meters shall only be used for the following purposes:
 1. Temporary irrigation purposes not to exceed one year.

CITY OF SAN DIEGO CALIFORNIA DEPARTMENT INSTRUCTIONS	NUMBER DI 55.27	DEPARTMENT Water Department
SUBJECT FIRE HYDRANT METER PROGRAM (FORMERLY: CONSTRUCTION METER PROGRAM)	PAGE 5 OF 10	EFFECTIVE DATE October 15, 2002
	SUPERSEDES DI 55.27	DATED April 21, 2000

2. Construction and maintenance related activities (see Tab 2).
 - b. No customer inside or outside the boundaries of the City of San Diego Water Department shall resell any portion of the water delivered through a fire hydrant by the City of San Diego Water Department.
 - c. The City of San Diego allows for the issuance of a temporary fire hydrant meter for a period not to exceed 12 months (365 days). An extension can only be granted in writing from the Water Department Director for up to 90 additional days. A written request for an extension by the consumer must be submitted at least 30 days prior to the 12 month period ending. No extension shall be granted to any customer with a delinquent account with the Water Department. No further extensions shall be granted.
 - d. Any customer requesting the issuance of a fire hydrant meter shall file an application with the Meter Section. The customer must complete a "Fire Hydrant Meter Application" (Tab 1) which includes the name of the company, the party responsible for payment, Social Security number and/or California ID, requested location of the meter (a detailed map signifying an exact location), local contact person, local phone number, a contractor's license (or a business license), description of specific water use, duration of use at the site and full name and address of the person responsible for payment.
 - e. At the time of the application the customer will pay their fees according to the schedule set forth in the Rate Book of Fees and Charges, located in the City Clerk's Office. All fees must be paid by check, money order or cashiers check, made payable to the City Treasurer. Cash will not be accepted.
 - f. No fire hydrant meters shall be furnished or relocated for any customer with a delinquent account with the Water Department.
 - g. After the fees have been paid and an account has been created, the

CITY OF SAN DIEGO CALIFORNIA DEPARTMENT INSTRUCTIONS	NUMBER DI 55.27	DEPARTMENT Water Department
SUBJECT FIRE HYDRANT METER PROGRAM (FORMERLY: CONSTRUCTION METER PROGRAM)	PAGE 6 OF 10	EFFECTIVE DATE October 15, 2002
	SUPERSEDES DI 55.27	DATED April 21, 2000

meter shall be installed within 48 hours (by the second business day). For an additional fee, at overtime rates, meters can be installed within 24 hours (within one business day).

4.7 Relocation of Existing Fire Hydrant Meters

- a. The customer shall call the Fire Hydrant Meter Hotline (herein referred to as “Hotline”), a minimum of 24 hours in advance, to request the relocation of a meter. A fee will be charged to the existing account, which must be current before a work order is generated for the meter’s relocation.
- b. The customer will supply in writing the address where the meter is to be relocated (map page, cross street, etc). The customer must update the original Fire Hydrant Meter Application with any changes as it applies to the new location.
- c. Fire hydrant meters shall be read on a monthly basis. While fire hydrant meters and backflow devices are in service, commodity, base fee and damage charges, if applicable, will be billed to the customer on a monthly basis. If the account becomes delinquent, the meter will be removed.

4.8 Disconnection of Fire Hydrant Meter

- a. After ten (10) months a “Notice of Discontinuation of Service” (Tab 3) will be issued to the site and the address of record to notify the customer of the date of discontinuance of service. An extension can only be granted in writing from the Water Department Director for up to 90 additional days (as stated in Section 4.6C) and a copy of the extension shall be forwarded to the Meter Shop Supervisor. If an extension has not been approved, the meter will be removed after twelve (12) months of use.
- b. Upon completion of the project the customer will notify the Meter Services office via the Hotline to request the removal of the fire hydrant meter and appurtenances. A work order will be generated

CITY OF SAN DIEGO CALIFORNIA DEPARTMENT INSTRUCTIONS	NUMBER DI 55.27	DEPARTMENT Water Department
SUBJECT FIRE HYDRANT METER PROGRAM (FORMERLY: CONSTRUCTION METER PROGRAM)	PAGE 7 OF 10	EFFECTIVE DATE October 15, 2002
	SUPERSEDES DI 55.27	DATED April 21, 2000

for removal of the meter.

- c. Meter Section staff will remove the meter and backflow prevention assembly and return it to the Meter Shop. Once returned to the Meter Shop the meter and backflow will be tested for accuracy and functionality.
- d. Meter Section Staff will contact and notify Customer Services of the final read and any charges resulting from damages to the meter and backflow or its appurtenance. These charges will be added on the customer's final bill and will be sent to the address of record. Any customer who has an outstanding balance will not receive additional meters.
- e. Outstanding balances due may be deducted from deposits and any balances refunded to the customer. Any outstanding balances will be turned over to the City Treasurer for collection. Outstanding balances may also be transferred to any other existing accounts.

5. **EXCEPTIONS**

- 5.1 Any request for exceptions to this policy shall be presented, in writing, to the Customer Support Deputy Director, or his/her designee for consideration.

6. **MOBILE METER**

- 6.1 Mobile meters will be allowed on a case by case basis. All mobile meters will be protected by an approved backflow assembly and the minimum requirement will be a Reduced Pressure Principal Assembly. The two types of Mobile Meters are vehicle mounted and floating meters. Each style of meters has separate guidelines that shall be followed for the customer to retain service and are described below:

- a) **Vehicle Mounted Meters:** Customer applies for and receives a City owned Fire Hydrant Meter from the Meter Shop. The customer mounts the meter on the vehicle and brings it to the Meter Shop for

CITY OF SAN DIEGO CALIFORNIA DEPARTMENT INSTRUCTIONS	NUMBER DI 55.27	DEPARTMENT Water Department
SUBJECT FIRE HYDRANT METER PROGRAM (FORMERLY: CONSTRUCTION METER PROGRAM)	PAGE 8 OF 10	EFFECTIVE DATE October 15, 2002
	SUPERSEDES DI 55.27	DATED April 21, 2000

inspection. After installation is approved by the Meter Shop the vehicle and meter shall be brought to the Meter Shop on a monthly basis for meter reading and on a quarterly basis for testing of the backflow assembly. Meters mounted at the owner's expense shall have the one year contract expiration waived and shall have meter or backflow changed if either fails.

b) **Floating Meters:** Floating Meters are meters that are not mounted to a vehicle. **(Note: All floating meters shall have an approved backflow assembly attached.)** The customer shall submit an application and a letter explaining the need for a floating meter to the Meter Shop. The Fire Hydrant Meter Administrator, after a thorough review of the needs of the customer, (i.e. number of jobsites per day, City contract work, lack of mounting area on work vehicle, etc.), may issue a floating meter. At the time of issue, it will be necessary for the customer to complete and sign the "Floating Fire Hydrant Meter Agreement" which states the following:

- 1) The meter will be brought to the Meter Shop at 2797 Caminito Chollas, San Diego on the third week of each month for the monthly read by Meter Shop personnel.
- 2) Every other month the meter will be read and the backflow will be tested. This date will be determined by the start date of the agreement.

If any of the conditions stated above are not met the Meter Shop has the right to cancel the contract for floating meter use and close the account associated with the meter. The Meter Shop will also exercise the right to refuse the issuance of another floating meter to the company in question.

Any Fire Hydrant Meter using reclaimed water shall not be allowed use again with any potable water supply. The customer shall incur the cost of replacing the meter and backflow device in this instance.

CITY OF SAN DIEGO CALIFORNIA DEPARTMENT INSTRUCTIONS	NUMBER DI 55.27	DEPARTMENT Water Department
SUBJECT FIRE HYDRANT METER PROGRAM (FORMERLY: CONSTRUCTION METER PROGRAM)	PAGE 9 OF 10	EFFECTIVE DATE October 15, 2002
	SUPERSEDES DI 55.27	DATED April 21, 2000

7. **FEE AND DEPOSIT SCHEDULES**

7.1 **Fees and Deposit Schedules:** The fees and deposits, as listed in the Rate Book of Fees and Charges, on file with the Office of the City Clerk, are based on actual reimbursement of costs of services performed, equipment and materials. These deposits and fees will be amended, as needed, based on actual costs. Deposits, will be refunded at the end of the use of the fire hydrant meter, upon return of equipment in good working condition and all outstanding balances on account are paid. Deposits can also be used to cover outstanding balances.

All fees for equipment, installation, testing, relocation and other costs related to this program are subject to change without prior notification. The Mayor and Council will be notified of any future changes.

8. **UNAUTHORIZED USE OF WATER FROM A HYDRANT**

8.1 Use of water from any fire hydrant without a properly issued and installed fire hydrant meter is theft of City property. Customers who use water for unauthorized purposes or without a City of San Diego issued meter will be prosecuted.

8.2 If any unauthorized connection, disconnection or relocation of a fire hydrant meter, or other connection device is made by anyone other than authorized Water Department personnel, the person making the connection will be prosecuted for a violation of San Diego Municipal Code, Section 67.15. In the case of a second offense, the customer's fire hydrant meter shall be confiscated and/or the deposit will be forfeited.

8.3 Unauthorized water use shall be billed to the responsible party. Water use charges shall be based on meter readings, or estimates when meter readings are not available.

8.4 In case of unauthorized water use, the customer shall be billed for all applicable charges as if proper authorization for the water use had been obtained, including but not limited to bi-monthly service charges, installation charges and removal charges.

CITY OF SAN DIEGO CALIFORNIA DEPARTMENT INSTRUCTIONS	NUMBER DI 55.27	DEPARTMENT Water Department
SUBJECT FIRE HYDRANT METER PROGRAM (FORMERLY: CONSTRUCTION METER PROGRAM)	PAGE 10 OF 10	EFFECTIVE DATE October 15, 2002
	SUPERSEDES DI 55.27	DATED April 21, 2000

- 8.5 If damage occurs to Water Department property (i.e. fire hydrant meter, backflow, various appurtenances), the cost of repairs or replacements will be charged to the customer of record (applicant).

**Larry Gardner
Water Department Director**

- Tabs: 1. Fire Hydrant Meter Application
2. Construction & Maintenance Related Activities With No Return To Sewer
3. Notice of Discontinuation of Service

APPENDIX

Administering Division: Customer Support Division

Subject Index: Construction Meters
Fire Hydrant
Fire Hydrant Meter Program
Meters, Floating or Vehicle Mounted
Mobile Meter
Program, Fire Hydrant Meter

Distribution: DI Manual Holders



Application for Fire Hydrant Meter (EXHIBIT A)

(For Office Use Only)

NS REQ	FAC#
DATE	BY

METER SHOP (619) 527-7449

Meter Information

Application Date	Requested Install Date:
------------------	-------------------------

Fire Hydrant Location: (Attach Detailed Map//Thomas Bros. Map Location or Construction drawing.) <u>Zip:</u>	<u>T.B.</u>	<u>G.B. (CITY USE)</u>
Specific Use of Water:		
Any Return to Sewer or Storm Drain, If so, explain:		
Estimated Duration of Meter Use: <input type="text"/>	<input type="checkbox"/>	Check Box if Reclaimed Water

Company Information

Company Name:			
Mailing Address:			
City:	State:	Zip:	Phone: ()
*Business license#		*Contractor license#	
A Copy of the Contractor's license OR Business License is required at the time of meter issuance.			
Name and Title of Billing Agent: <small>(PERSON IN ACCOUNTS PAYABLE)</small>			Phone: ()
Site Contact Name and Title:			Phone: ()
Responsible Party Name:			Title:
Cal ID#			Phone: ()
Signature:		Date:	
Guarantees Payment of all Charges Resulting from the use of this Meter. Insures that employees of this Organization understand the proper use of Fire Hydrant Meter			

Fire Hydrant Meter Removal Request	Requested Removal Date:
Provide Current Meter Location if Different from Above:	
Signature:	Title: Date:
Phone: ()	Pager: ()

<input type="checkbox"/>	City Meter	<input type="checkbox"/>	Private Meter
Contract Acct #:		Deposit Amount: \$ 936.00	Fees Amount: \$ 62.00
Meter Serial #		Meter Size: 05	Meter Make and Style: 6-7
Backflow #		Backflow Size:	Backflow Make and Style:
Name:		Signature:	Date:

WATER USES WITHOUT ANTICIPATED CHARGES FOR RETURN TO SEWER

Auto Detailing
Backfilling
Combination Cleaners (Vactors)
Compaction
Concrete Cutters
Construction Trailers
Cross Connection Testing
Dust Control
Flushing Water Mains
Hydro Blasting
Hydro Seeing
Irrigation (for establishing irrigation only; not continuing irrigation)
Mixing Concrete
Mobile Car Washing
Special Events
Street Sweeping
Water Tanks
Water Trucks
Window Washing

Note:

1. If there is any return to sewer or storm drain, then sewer and/or storm drain fees will be charges.

Date

Name of Responsible Party
Company Name and Address
Account Number: _____

Subject: Discontinuation of Fire Hydrant Meter Service

Dear Water Department Customer:

The authorization for use of Fire Hydrant Meter # _____, located at *(Meter Location Address)* ends in 60 days and will be removed on or after *(Date Authorization Expires)*. Extension requests for an additional 90 days must be submitted in writing for consideration 30 days prior to the discontinuation date. If you require an extension, please contact the Water Department, or mail your request for an extension to:

City of San Diego
Water Department
Attention: Meter Services
2797 Caminito Chollas
San Diego, CA 92105-5097

Should you have any questions regarding this matter, please call the Fire Hydrant Hotline at (619) _____ - _____.

Sincerely,

Water Department

APPENDIX E

Sample City Invoice

City of San Diego, Field Engineering Div., 9485 Aero Drive, SD CA 92123						Contractor's Name:					
Project Name:						Contractor's Address:					
SAP No. (WBS/IO/CC)											
City Purchase Order No.						Contractor's Phone #:			Invoice No.		
Resident Engineer (RE):						Contractor's Fax #:			Invoice Date:		
RE Phone#:			RE Fax#:			Contact Name:			Billing Period:		
Item #	Item Description	Contract Authorization				Previous Estimate		This Estimate		Totals to Date	
		Unit	Qty	Price	Extension	%/QTY	Amount	% / QTY	Amount	% / QTY	Amount
1	2 Parallel 4" PVC C900	LF	1,380	\$34.00	\$46,920.00						
2	48" Primary Steel Casing	LF	500	\$1,000.00	\$500,000.00						
3	2 Parallel 12" Secondary Steel	LF	1,120	\$53.00	\$59,360.00						
4	Construction and Rehab of PS 49	LS	1	\$150,000.00	\$150,000.00						
5	Demo	LS	1	\$14,000.00	\$14,000.00						
6	Install 6' High Chain Link Fence	LS	1	\$5,600.00	\$5,600.00						
7	General Site Restoration	LS	1	\$3,700.00	\$3,700.00						
8	10" Gravity Sewer	LF	10	\$292.00	\$2,920.00						
9	4" Blow Off Valves	EA	2	\$9,800.00	\$19,600.00						
10	Bonds	LS	1	\$16,000.00	\$16,000.00						
11	Field Orders	AL	1	80,000	\$80,000.00						
11.1	Field Order 1	LS	5,500	\$1.00	\$5,500.00						
11.2	Field Order 2	LS	7,500	\$1.00	\$7,500.00						
11.3	Field Order 3	LS	10,000	\$1.00	\$10,000.00						
11.4	Field Order 4	LS	6,500	\$1.00	\$6,500.00						
12	Certified Payroll	LS	1	\$1,400.00	\$1,400.00						
CHANGE ORDERS											
Change Order 1			4,890								
Items 1-4					\$11,250.00						
Item 5-Deduct Bid Item 3		LF	120	-\$53.00	(\$6,360.00)						
Change Order 2			160,480								
Items 1-3					\$95,000.00						
Item 4 Deduct Bid Item 1		LF	380	-\$340.00	(\$12,920.00)						
Item 5-Encrease bid Item 9		LF	8	\$9,800.00	\$78,400.00						
Change Order 3 (Close Out)			-121,500								
Item 1 Deduct Bid Item 3			53	-500.00	(\$26,500.00)						
Item 2 Deduct Bid Item 4		LS	-1	45,000.00	(\$45,000.00)						
Items 3-9			1	-50,500.00	(\$50,500.00)						
SUMMARY								Total This	\$ -	Total Billed	\$0.00
A. Original Contract Amount						Retention and/or Escrow Payment Schedule					
B. Approved Change Order 1 Thru 3						Total Retention Required as of this billing					
C. Total Authorized Amount (A+B)						Previous Retention Withheld in PO or in Escrow					
D. Total Billed to Date						Add'l Amt to Withhold in PO/Transfer in Escrow:					
E. Less Total Retention (5% of D)						Amt to Release to Contractor from PO/Escrow:					
F. Less Total Previous Payments											
G. Payment Due Less Retention						Contractor Signature and Date:					
H. Remaining Authorized Amount											

APPENDIX F

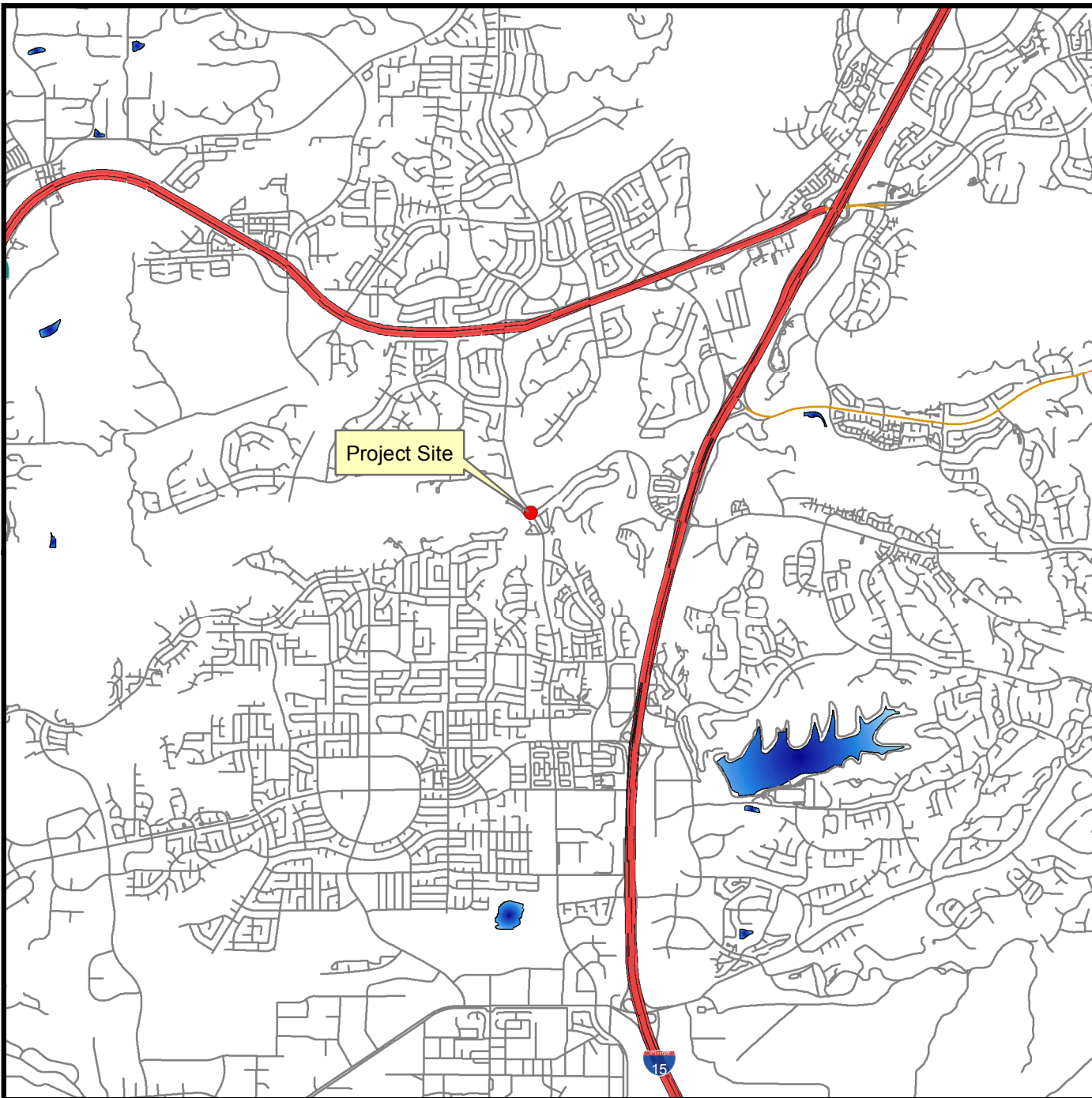
Location Map

Los Penasquitos Ranger Station

SENIOR ENGINEER
ALI DARVISHI
(619) 533-5328

PROJECT MANAGER
JASON GRANI
(619) 533-7525

CONSTRUCTION PROJECT
INFORMATION LINE
(619) 533-4207



Legend

- Los Penasquitos Ranger Station
- Roads
- Water Bodies



COMMUNITY NAME: Mira Mesa

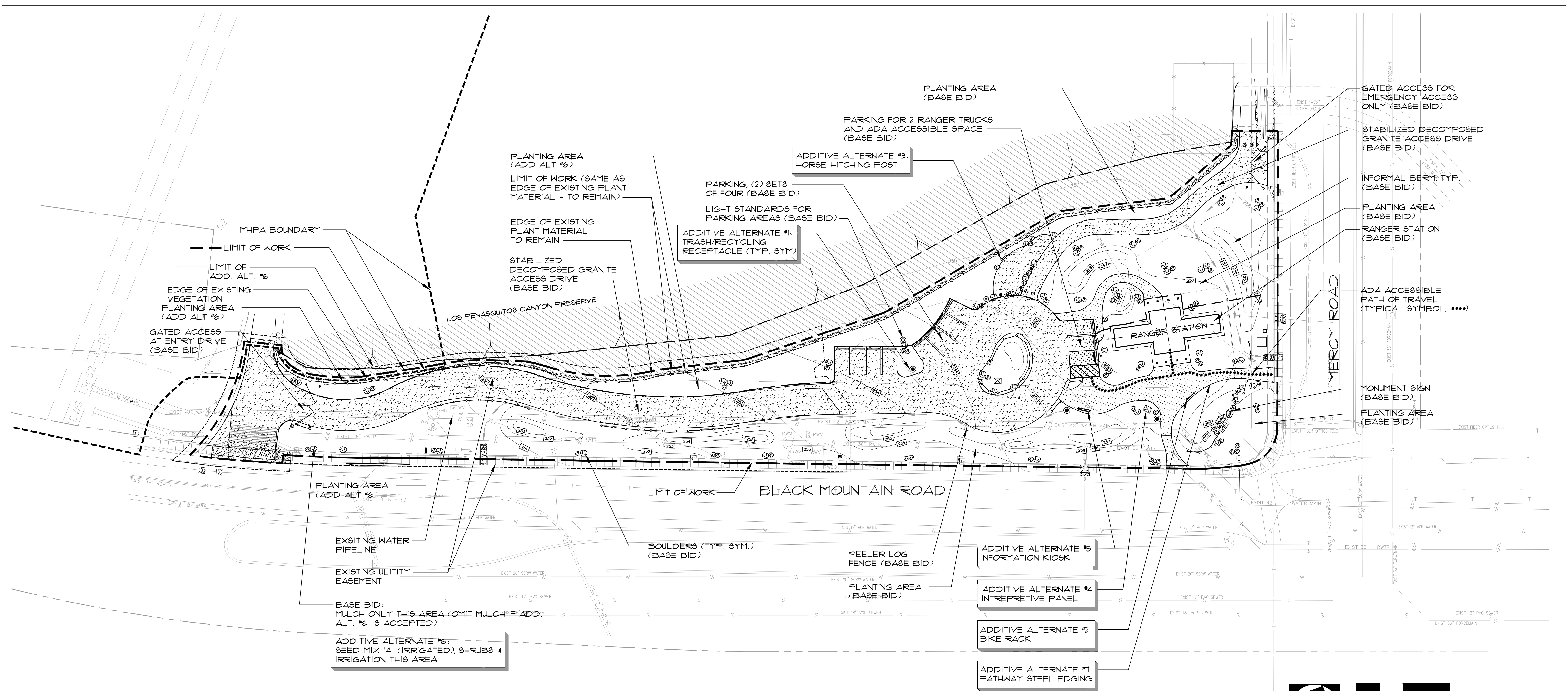
COUNCIL DISTRICT: 5

SAP ID: B00619



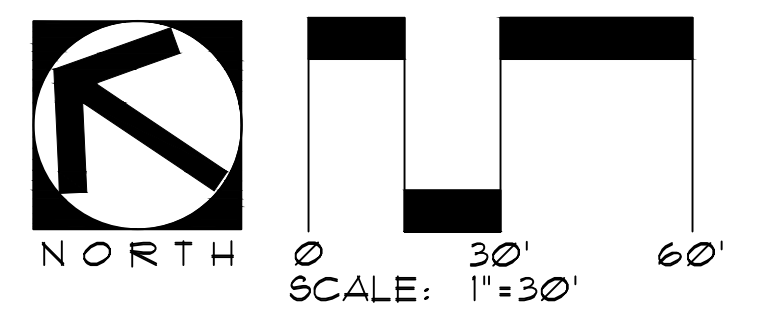
THIS MAP/DATA IS PROVIDED WITHOUT WARRANTY OF ANY KIND, EITHER EXPRESS OR IMPLIED, INCLUDING, BUT NOT LIMITED TO, THE IMPLIED WARRANTIES OR MERCHANTABILITY AND FITNESS FOR A PARTICULAR PURPOSE. Note: This product may contain information reproduced with permission granted by RAND McNALLY & COMPANY to SanGIS. This map is copyrighted by RAND McNALLY & COMPANY. It is unlawful to copy or reproduce all or any part thereof, whether for personal use or resale, without the prior, written permission of RAND McNALLY & COMPANY.

APPENDIX G
Adjacent Projects



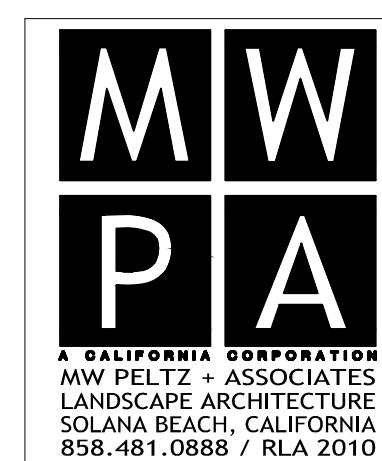
- | | | | |
|--|---|--|--|
| | STABILIZED DECOMPOSED GRANITE ACCESS DRIVE | | ACCESS GATE POLE |
| | STABILIZED DECOMPOSED GRANITE PATHWAYS | | TRASH RECEPTACLE (ADDITIVE ALTERNATE #1) |
| | PEELER LOG FENCING | | DISABLED PARKING SIGN |
| | BERM (1 FOOT CONTOURS) | | "HORSE PARKING ONLY" SIGN |
| | EXISTING VEGETATION TO REMAIN AND BE PROTECTED IN PLACE | | LIGHT STANDARD |
| | CONCRETE PAVING | | INTERPRETIVE PANEL (ADDITIVE ALTERNATE #4) |
| | DISABLED PARKING STALL | | HITCHING POSTS (ADDITIVE ALTERNATE #3) |
| | DISABLED PARKING "WARNING" SIGN | | BIKE RACK (ADDITIVE ALTERNATE #2) |
| | | | INFORMATION KIOSK (ADDITIVE ALTERNATE #5) |
| | | | WOOD WHEEL STOP |
| | | | CONCRETE WHEEL STOP |
| | | | "RANGER PARKING ONLY" SIGN |
| | | | ACCESS GATE |
| | | | DEMOUNTABLE POSTS |
| | | | BOULDERS |

OVERALL SITE PLAN FOR REFERENCE ONLY - SEE PLANS FOR ADDITIONAL INFORMATION AND REQUIREMENTS



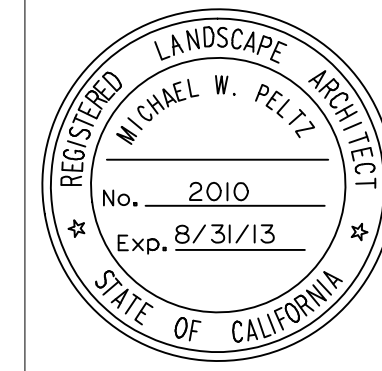
SHEET REFERENCE #:
T2.0

PUBLIC CONTRACT



Plans for the Construction of Los Penasquitos/Black Mountain Ranger Station

SHEET TITLE: OVERALL SITE PLAN		WBS: 200101
CITY OF SAN DIEGO, CALIFORNIA ENGINEERING AND CAPITAL PROJECTS DEPARTMENT SHEET 3 OF 31 SHEETS		WBS:
APPROVED:	FOR CITY ENGINEER	DATE
DESCRIPTION	BY	APPROVED DATE
ORIGINAL	MWPA	9/3/08
90% SUBMITTAL	MWPA	10/23/09
2ND CITY SUBMITTAL	MWPA	10/10/12
3RD CITY SUBMITTAL	MWPA	04/30/13
AS BUILT		
CONTRACTOR	DATE STARTED	35048-03-D
INSPECTOR	DATE COMPLETED	
SUBMITTED BY: JASON GRANI PROJECT MANAGER		
ALI DARVISHI SECTION HEAD		
SEE SHEETS CCS27 COORDINATE		
SEE SHEETS CCS83 COORDINATE		



CITY REVIEW SUBMITTAL NOT FOR CONSTRUCTION IF SHEET SIZE IS LESS THAN 24' X 36', IT IS A REDUCED PRINT - SIZE ACCORDINGLY

Drawing name: 06004_T2.0.dwg Date: Apr 26, 2013 11:16:00 Drawn by: hplance

ATTACHMENT F
INTENTIONALLY LEFT BLANK

City of San Diego

CITY CONTACT: Damian Singleton, Contract Specialist, Email: Dsingleton@sandiego.gov
Phone No. (619) 533-3482, Fax No. (619) 533-3633

ADDENDUM "A"

FOR



Los Penasquitos/Black Mountain Ranger Station

BID NO.: _____ **K-15-1234-DBB-3**
SAP NO. (WBS/IO/CC).: _____ **B-00619**
CLIENT DEPARTMENT: _____ **1714**
COUNCIL DISTRICT: _____ **6**
PROJECT TYPE: _____ **BS**

BID DUE DATE:

2:00PM
OCTOBER 21, 2014
CITY OF SAN DIEGO
PUBLIC WORKS CONTRACTS
1010 SECOND AVENUE, 14th FLOOR, MS 614C
SAN DIEGO, CA 92101

ENGINEER OF WORK

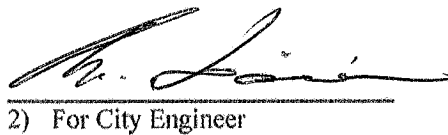
The engineering Specifications and Special Provisions contained herein have been prepared by or under the direction of the following Registered Landscape Architect and Registered Engineer:


1) Registered Landscape Architect

10.7.14
Date

Seal:




2) For City Engineer

10/7/14
Date

Seal



A. CHANGES TO CONTRACT DOCUMENTS

The following changes to the Contract Documents are hereby made effective as though originally issued with the bid package. Bidders are reminded that all previous requirements to this solicitation remain in full force and effect.

B. PLANS

1. To DRAWINGS numbered 35048-01-D and 35048-17-D, **DELETE** in their entirety and **REPLACE** with pages 4 through 5 of this Addendum.

James Nagelvoort, Director
Public Works Department

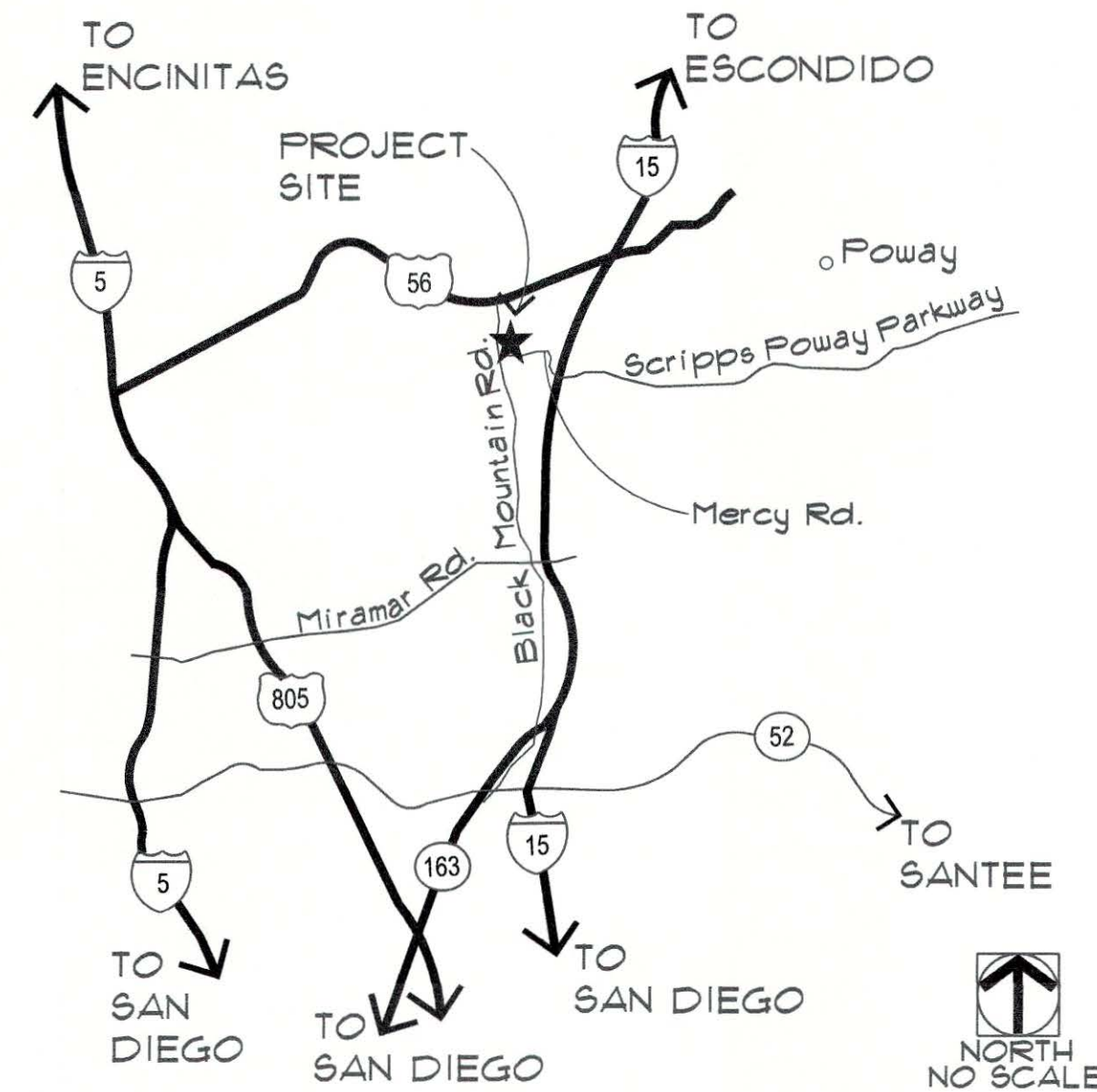
Dated: *October 9, 2014*
San Diego, California

JN/BD/lji

PLANS FOR THE CONSTRUCTION OF Los Penasquitos/Black Mountain Ranger Station

City of San Diego, California

VICINITY MAP:



PROJECT DIRECTORY:

OWNER:
CITY OF SAN DIEGO
PUBLIC WORKS DEPARTMENT
525 "B" STREET, SUITE 150
SAN DIEGO, CA 92101

PROJECT MANAGER: JASON GRANI
PHONE: (619) 525-8234
EMAIL: JGRANI@SANDIEGO.GOV

LANDSCAPE ARCHITECT:
MWP+A LANDSCAPE ARCHITECTURE + URBAN DESIGN
143 SOUTH CEDROS AVENUE
SUITE B-104
SOLANA BEACH, CA 92075

PROJECT MANAGER: HOWARD PIERCE
PHONE: (858) 481-0888 x 25
EMAIL: HPIERCE@MWP+PA.COM

CIVIL ENGINEER:
PSOMAS
4455 MURPHY CANYON ROAD, SUITE 200
SAN DIEGO, CA 92123

PROJECT MANAGER: JIM BLISS
PHONE: (858) 576-9200
EMAIL: JBLISS@PSOMAS.COM

SITE ELECTRICAL ENGINEER:
LSW ENGINEERING
5560 RUFFIN ROAD
SUITE 1
SAN DIEGO, CA 92123

SHEET INDEX:

DISCIPLINE CODE	SHEET NUMBER	SHEET NAME
G-1.0	1	TITLE SHEET
G-1.1	2	TITLE SHEET NOTES
G-1.2	3	TITLE SHEET NOTES
G-2.0	4	OVERALL SITE PLAN
C-1	5	CIVIL TITLE SHEET
C-2	6	CIVIL NOTES
C-3	7	GRADING AND IMPROVEMENT PLAN
C-4	8	GRADING AND IMPROVEMENT PLAN
C-5	9	EROSION CONTROL PLAN
C-6	10	EROSION CONTROL PLAN
C-7	11	EROSION CONTROL NOTES
L-1.1	12	LANDSCAPE CONSTRUCTION PLAN
L-1.2	13	LANDSCAPE CONSTRUCTION PLAN
L-1.3	14	LANDSCAPE CONSTRUCTION DETAILS
L-1.4	15	LANDSCAPE CONSTRUCTION DETAILS
L-1.5	16	LANDSCAPE CONSTRUCTION DETAILS
L-1.6	17	LANDSCAPE CONSTRUCTION DETAILS
L-2.1	18	LANDSCAPE IRRIGATION PLAN
L-2.2	19	LANDSCAPE IRRIGATION PLAN
L-2.3	20	IRRIGATION LEGEND AND NOTES
L-2.4	21	IRRIGATION NOTES AND CALCULATIONS
L-2.5	22	IRRIGATION DETAILS
L-2.6	23	IRRIGATION DETAILS
L-3.1	24	LANDSCAPE PLANTING PLAN
L-3.2	25	LANDSCAPE PLANTING PLAN
L-3.3	26	LANDSCAPE PLANT MATERIAL LEGEND, NOTES
L-3.4	27	LANDSCAPE PLANTING DETAILS
E-1.0	28	ELECTRICAL SYMBOLS, NOTES & SCHEDULE
E-2.0	29	SITE ELECTRICAL PLAN
E-3.0	30	SITE ELECTRICAL PLAN
E-4.0	31	ELECTRICAL TITLE 24 (EXTERIOR)
REF-1.0	32	RANGER STATION PLANS FOR REFERENCE

DISCIPLINE CODE:

G GENERAL
C CIVIL
L LANDSCAPE
E ELECTRICAL

LEGEND:
IMPROVEMENTS

IMPROVEMENTS	REFERENCE	SYMBOL
STABILIZED DECOMPOSED GRANITE ACCESS DRIVE	SEE PLANS	[Symbol]
STABILIZED DECOMPOSED GRANITE PATHWAYS	SEE PLANS	[Symbol]
PEELER LOG FENCING	SEE PLANS	[Symbol]
BERM (1 FOOT CONTOURS)	SEE PLANS	[Symbol]
EXISTING VEGETATION TO REMAIN AND BE PROTECTED IN PLACE	SEE PLANS	[Symbol]
CONCRETE PAVING	SEE PLANS	[Symbol]
ACCESSIBLE PARKING STALL	SDM-117	[Symbol]
ACCESSIBLE PARKING "WARNING" SIGN	SDM-117	[Symbol]
LIMIT OF WORK	SEE PLANS	[Symbol]
ADA PATH OF TRAVEL	SEE PLANS	[Symbol]
ACCESS GATE POLE	WM-04 TYPE 'A'	[Symbol]
TRASH RECEPTACLE, (ADDITIVE ALTERNATE 'A')	SEE PLANS	[Symbol]
ACCESSIBLE PARKING SIGN	SDM-117	[Symbol]
"HORSE PARKING ONLY" SIGN	M-45, SDM-117 (SIM)	[Symbol]
LIGHT STANDARD	SEE PLANS	[Symbol]
INTERPRETIVE PANEL (ADDITIVE ALTERNATE 'D')	SEE PLANS	[Symbol]
HITCHING POSTS (ADDITIVE ALTERNATE 'C')	SEE PLANS	[Symbol]
BIKE RACK (ADDITIVE ALTERNATE 'B')	SEE PLANS	[Symbol]
INFORMATION KIOSK (ADDITIVE ALTERNATE 'E')	SEE PLANS	[Symbol]
WOOD WHEEL STOP	SEE PLANS	[Symbol]
CONCRETE WHEEL STOP	SEE PLANS	[Symbol]
"RANGER PARKING ONLY" SIGN	M-45, SDM-117 (SIM)	[Symbol]
ACCESS GATE	SEE PLANS	[Symbol]
DEMOUNTABLE POSTS	M-16	[Symbol]
BOULDERS	SEE PLANS	[Symbol]
LIMITS OF ADD. ALT. 'F'	SEE PLANS	[Symbol]
EDGE OF EXISTING VEGETATION	SEE PLANS	[Symbol]
MHPA BOUNDARY	SEE PLANS	[Symbol]
EDGE OF WETLAND BUFFER	SEE PLANS	[Symbol]

FOR ADDITIONAL SYMBOLS, SEE CIVIL TITLE SHEET, IRRIGATION, PLANTING, AND ELECTRICAL SHEETS

DECLARATION OF RESPONSIBLE CHARGE:

I HEREBY DECLARE THAT I AM THE LANDSCAPE ARCHITECT OF WORK FOR THIS PROJECT, THAT I HAVE EXERCISED RESPONSIBLE CHARGE OVER THE DESIGN OF THE PROJECT AS DEFINED IN SECTION 6703 OF THE BUSINESS AND PROFESSIONS CODE, AND THAT THE DESIGN IS CONSISTENT WITH CURRENT STANDARDS.

I UNDERSTAND THAT THE CHECK OF PROJECT DRAWINGS AND SPECIFICATIONS BY THE CITY OF SAN DIEGO IS CONFINED TO A REVIEW ONLY AND DOES NOT RELIEVE ME, AS LANDSCAPE ARCHITECT OF WORK, OF MY RESPONSIBILITIES FOR PROJECT DESIGN.

MICHAEL W. PELTZ 12/10 DATE

MW PELTZ + ASSOCIATES
143 S. CEDROS AVENUE, SUITE B-104
SOLANA BEACH, CA 92075
PH. 858 481 0888 FX. 858 481 6808

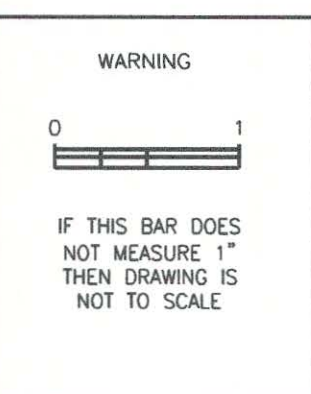


**Plans for the Construction of
Los Penasquitos/Black Mountain
Ranger Station**

TITLE SHEET

CONSTRUCTION SITE STORM WATER PRIORITY INSPECTION FREQUENCY: HIGH _____ MEDIUM <u>X</u> LOW _____		CITY OF SAN DIEGO, CALIFORNIA PUBLIC WORKS DEPARTMENT SHEET 1 OF 32 SHEETS		WBS B-00619
CONSULTANT		APPROVED: <i>[Signature]</i> 7/22/14 DATE		SUBMITTED BY: JASON GRANI PROJECT MANAGER
MW PELTZ + ASSOCIATES, INC. 143 S. CEDROS AVENUE, SUITE B-104 SOLANA BEACH, CA 92075 P: 858.481.0888 F: 858.481.6808		FOR CITY ENGINEER: ALI DARVISHI PRINT NAME		ALI DARVISHI SECTION HEAD
7/16/14 MICHAEL W. PELTZ, RLA 2010 DATE		DESCRIPTION BY APPROVED DATE FILED		287-1731
CITY OF SAN DIEGO PUBLIC WORKS PROJECT		ORIGINAL MWPA		CCS27 COORDINATE
ADDENDUM A		ADDENDUM A JG A.D. 10/26/14		8292407-1918444 CCS83 COORDINATE
CONTRACTOR		DATE STARTED		35048-01-D
INSPECTOR		DATE COMPLETED		

CONSTRUCTION CHANGE / ADDENDUM			
CHANGE	DATE	AFFECTED OR ADDED SHEET NUMBERS	APPROVAL NO.
A	10/1/14	17	

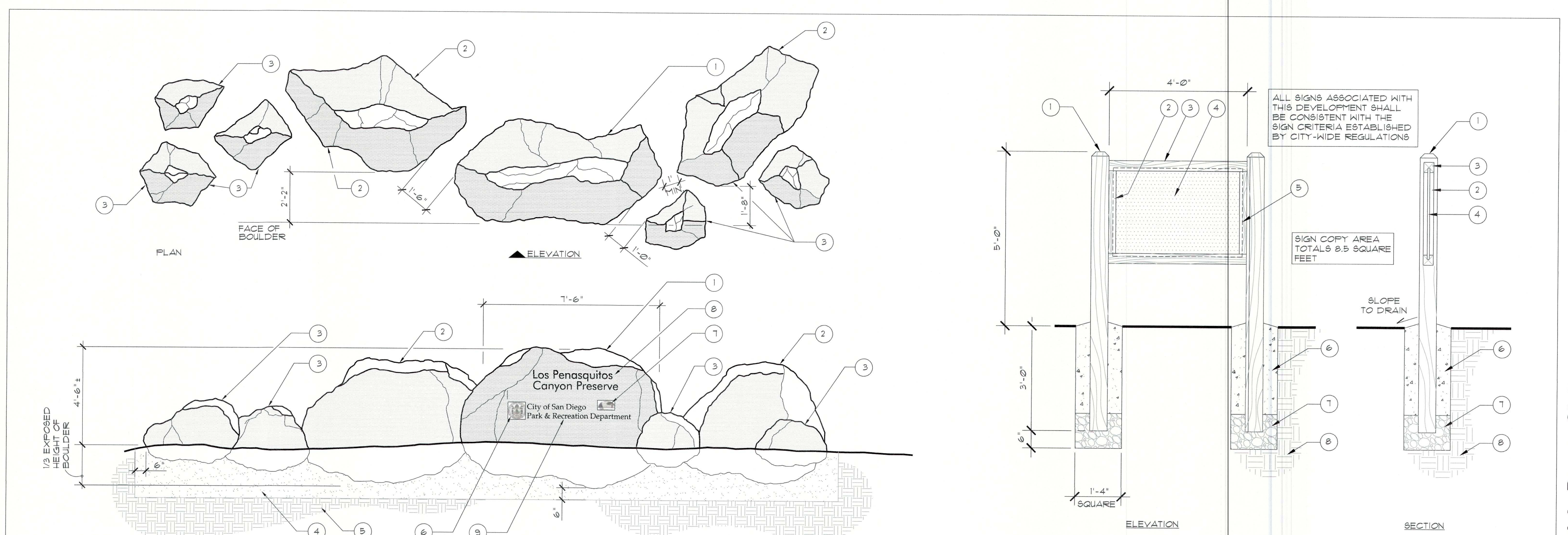


**CITY OF SAN DIEGO
PUBLIC WORKS PROJECT**



ADDENDUM A: REVISED NOTES ON SHEET 17, 1 & 3 DETAIL A

Los Penasquitos/Black Mountain Ranger Station



ALL SIGNS ASSOCIATED WITH THIS DEVELOPMENT SHALL BE CONSISTENT WITH THE SIGN CRITERIA ESTABLISHED BY CITY-WIDE REGULATIONS

SIGN COPY AREA TOTALS 8.5 SQUARE FEET

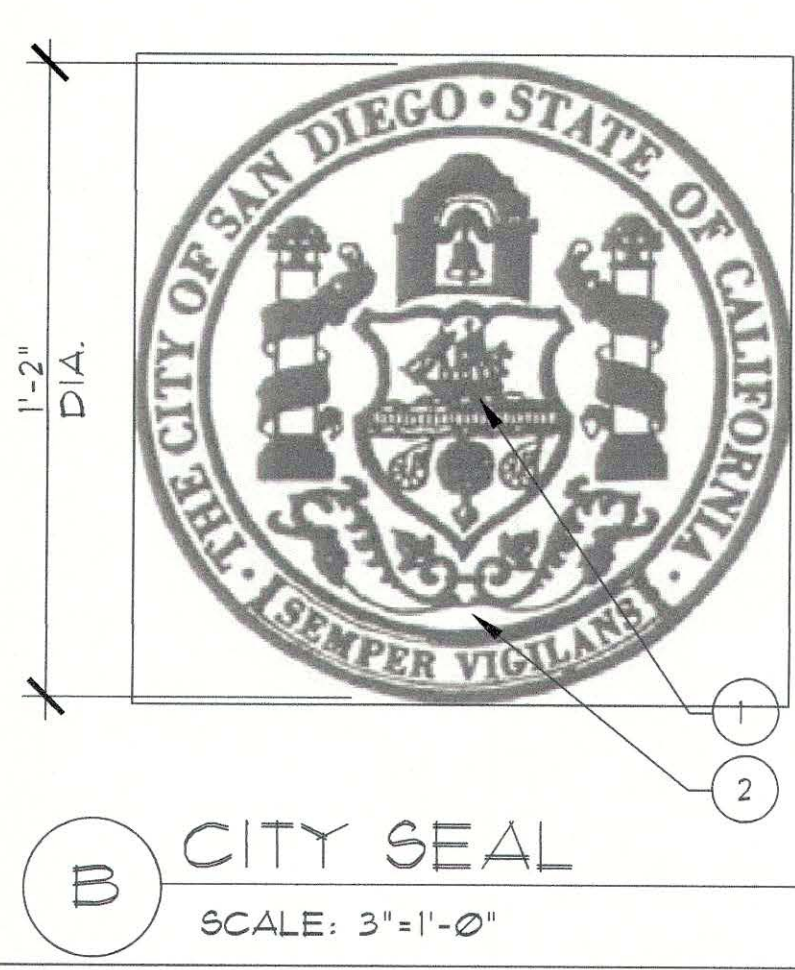
- NOTES:
- CONTRACTOR SHALL COMPLETE SHOP DRAWINGS FOR APPROVAL PRIOR TO CONSTRUCTION.
 - CONTRACTOR SHALL APPLY (1) COAT OF TRANSPARENT STAIN ON ALL WOOD SURFACES - COLOR TO BE SELECTED.
 - ALL WOOD SHALL BE CEDAR UNLESS OTHERWISE NOTED.

- ELEVATION
- 1 MONUMENT SIGN BOULDER TO RECEIVE SANDCUT ENGRAVED TEXT AND CAST BRONZE LOGOS - (BAJA CRESTA CITY) BOULDER (ANGULAR) SPECIAL ORDER AT DECORATIVE STONE SOLUTIONS (PH: 1-800-699-1878) OR APPROVED EQUAL (SUBMIT PHOTOS FOR APPROVAL PRIOR TO SHIPPING) VERIFY EXACT LOCATION & POSITION WITH ENGINEER PRIOR TO PLACEMENT.
 - 2 MONUMENT BOULDERS - "CEDAR FLATS" BOULDER (ANGULAR) SPECIAL ORDER AT DECORATIVE STONE SOLUTIONS (PH: 1-800-699-1878) OR APPROVED EQUAL (SUBMIT PHOTOS FOR APPROVAL PRIOR TO SHIPPING) VERIFY EXACT LOCATION & POSITION WITH ENGINEER PRIOR TO PLACEMENT.
 - 3 BOULDERS IN LANDSCAPE - SEE CONSTRUCTION PLAN, SHEET LC-1, FOR SIZES AND PLACEMENT.
 - 4 COMPACTED CLEAN WASHED SAND
 - 5 COMPACTED SUBGRADE
 - 6 CITY OF SAN DIEGO SEAL
 - 7 PARK & RECREATION LOGO
 - 8 6" HIGH LETTERING, FONT - ARIAL
 - 9 2.75" HIGH LETTERING, FONT - TIMES NEW ROMAN

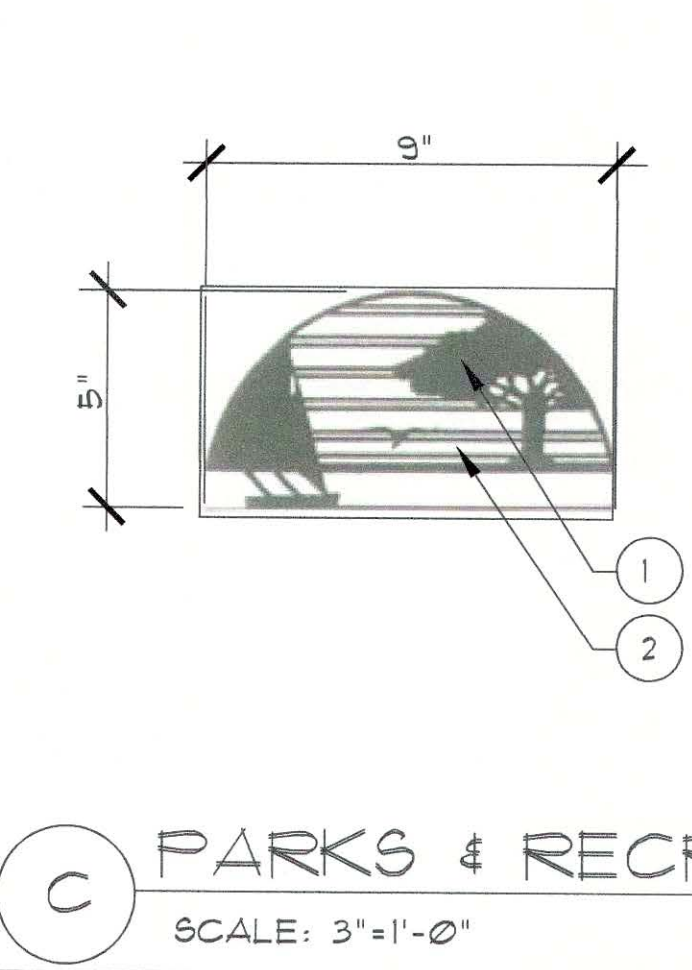
- ELEVATION
- 1 6 X 6 POST - 1" CHAMFER AT TOP OF POST
 - 2 3 X 4 VERTICAL FRAME
 - 3 4 X 4 HORIZONTAL FRAME
 - 4 3/4" PLYWOOD, EXTERIOR GRADE A-B FOR COPY AREA
 - 5 1" NOTCH FOR 3/4" PLYWOOD
 - 6 CONCRETE FOOTING
 - 7 3/8" AGGREGATE
 - 8 90% MIN. COMPACTED SUBGRADE

A MONUMENT SIGN
SCALE: 1/2"=1'-0"

D INTERPRETIVE PANEL
SCALE: 3/4"=1'-0"

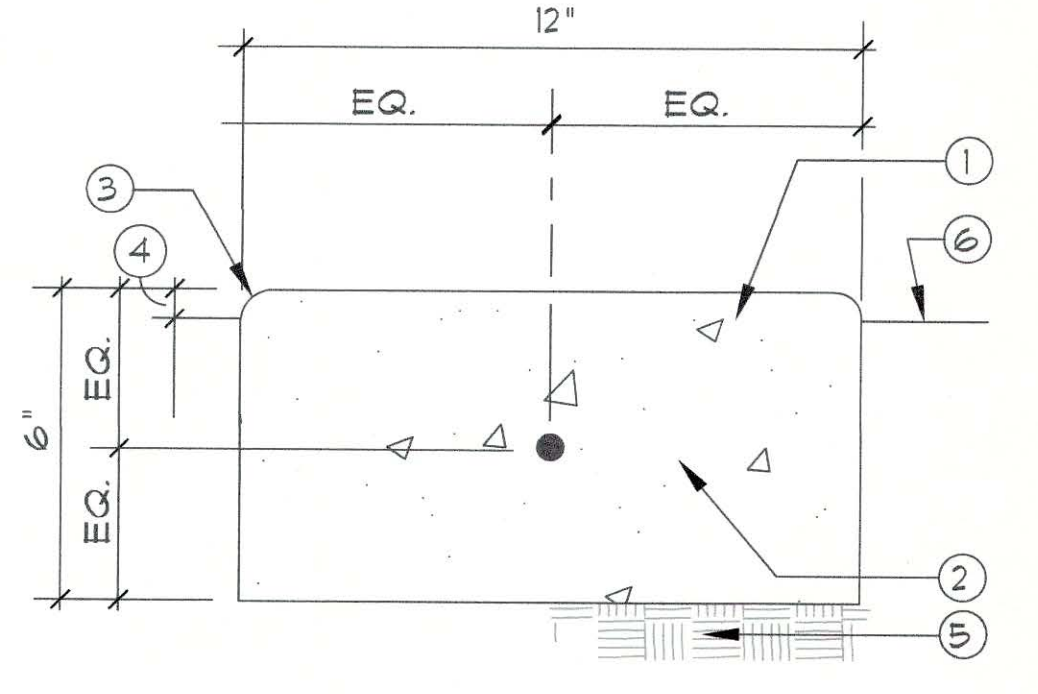


- 1 CITY OF SAN DIEGO SEAL - 1" THICK CAST BRONZE (OXIDIZED FINISH) MOUNT FLUSH WITH FACE OF BOULDER, AVAILABLE THRU 'SHOW AND TELL PRODUCTS' (PH 919.690.8900) OR APPROVED EQUAL
 - 2 WHITE AREAS ARE RECESSED 1/2" DEEP
- NOTE:
PROVIDE COMPLETE SHOP DRAWINGS PRIOR TO CONSTRUCTION.



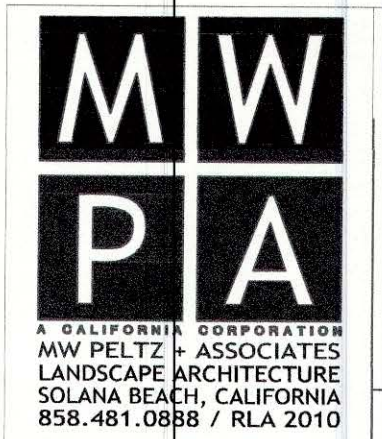
- 1 CITY OF SAN DIEGO PARK AND RECREATION DEPARTMENT LOGO - 1" THICK CAST BRONZE (OXIDIZED FINISH) MOUNT FLUSH WITH FACE OF BOULDER, AVAILABLE THRU 'SHOW AND TELL PRODUCTS' (PH 919.690.8900) OR APPROVED EQUAL
 - 2 WHITE AREAS ARE RECESSED 1/2" DEEP
- NOTE:
PROVIDE COMPLETE SHOP DRAWINGS PRIOR TO CONSTRUCTION.

C PARKS & RECREATION LOGO
SCALE: 3"=1'-0"



E CONCRETE BAND - PARKING
NO SCALE

- 1 CONCRETE BAND WITH LIGHT BROOM FINISH - PROVIDE SCORE JOINTS @ 6'-0" O.C. MAX.
- 2 #3 REBAR CONTINUOUS (LAP 12" @ SPLICES)
- 3 1/4" RADIUS, TYPICAL
- 4 1/4"
- 5 90% MIN. COMPACTED SUBGRADE - UNDER BAND ONLY
- 6 FINISH SURFACE OF ADJACENT DECOMPOSED GRANITE



Plans for the Construction of Los Penasquitos/Black Mountain Ranger Station		L-1.6
LANDSCAPE CONSTRUCTION DETAILS		
CITY OF SAN DIEGO, CALIFORNIA PUBLIC WORKS DEPARTMENT SHEET 17 OF 32 SHEETS		WBS B-00619
APPROVED: <i>[Signature]</i> FOR CITY ENGINEER ALL DARWISHI DATE: 7/22/14	DATE: 7/22/14	SUBMITTED BY: JASON GRANI PROJECT MANAGER ALL DARWISHI SECTION HEAD
DESCRIPTION	BY	APPROVED
ORIGINAL	MWPA	
ADDENDUM A	JG	10/06/14
		287-1731
		CCS27 COORDINATE
		6292407-1918444
		CCS83 COORDINATE
CONTRACTOR	DATE STARTED	35048-17-D
INSPECTOR	DATE COMPLETED	

ADDENDUM A: REVISED NOTES ON SHEET 17, 1 & 3 DETAIL A

Los Penasquitos/Black Mountain Ranger Station

10/23/14 @w
Valid

City of San Diego

CONTRACTOR'S NAME: West Coast General Corporation
ADDRESS: 13700 Stowe Drive, Suite 100, Poway, CA 92064
TELEPHONE NO.: 619.561.4200 FAX NO.: 619.561.4205
CITY CONTACT: Damian Singleton, Contract Specialist, Email: Dsingleton@sandiego.gov
Phone No. (619) 533-3482, Fax No. (619) 533-3633
J Grani/B Doring/LJI

CONTRACT DOCUMENTS



FOR

Los Penasquitos / Black Mountain Ranger Station

VOLUME 2 OF 2

BID NO.: K-15-1234-DBB-3
SAP NO. (WBS/IO/CC): B-00619
CLIENT DEPARTMENT: 1714
COUNCIL DISTRICT: 6
PROJECT TYPE: BS

THIS CONTRACT IS SUBJECT TO THE FOLLOWING:

- THE CITY'S SUBCONTRACTING PARTICIPATION REQUIREMENTS FOR SLBE PROGRAM
- PREVAILING WAGE RATES: STATE FEDERAL
- APPRENTICESHIP

**THIS BIDDING DOCUMENT TO BE SUBMITTED IN ITS ENTIRETY
REFER TO VOLUME 1 COVER PAGE FOR TIME, DATE, AND LOCATION**

TABLE OF CONTENTS

DESCRIPTION

PAGE NUMBER

Volume 2 - Bidding Documents

The following forms must be completed in their entirety and submitted with the Bid. Include the form(s) even if the information does not apply. Where the information does not apply write in N/A. Failure to include any of the forms may cause the Bid to be deemed **non-responsive**. If you are uncertain or have any questions about any required information, contact the City no later than 14 days prior to Bid due date.

1. Bid/Proposal..... 3
2. Bid Bond..... 6
3. Non-Collusion Affidavit to be executed by Bidder and Submitted with Bid under 23 USC 112 and PCC 7106..... 7
4. Contractors Certification of Pending Actions..... 8
5. Equal Benefits Ordinance Certification of Compliance..... 9
6. Proposal (Bid)..... 10
7. Form AA35 - List of Subcontractors 15
8. Form AA40 - Named Equipment/Material Supplier List 16
9. Form AA45 - Subcontractors Additive/Deductive Alternate..... 17

BIDDING DOCUMENTS

PROPOSAL

Bidder's General Information

To the City of San Diego:

Pursuant to "Notice Inviting Bids", specifications, and requirements on file with the City Clerk, and subject to all provisions of the Charter and Ordinances of the City of San Diego and applicable laws and regulations of the United States and the State of California, the undersigned hereby proposes to furnish to the City of San Diego, complete at the prices stated herein, the items or services hereinafter mentioned. The undersigned further warrants that this bid is not made in the interest of, or on behalf of, any undisclosed person, partnership, company, association, organization, or corporation; that the bid is genuine and not collusive or sham; that the bidder has not directly or indirectly induced or solicited any other bidder to put in a false or sham bid, and has not directly or indirectly colluded, conspired, connived, or agreed with any bidder or anyone else to put in a sham bid, or that anyone shall refrain from bidding; that the bidder has not in any manner, directly or indirectly, sought by agreement, communication, or conference with anyone to fix the bid price of the bidder or any other bidder, or to fix any overhead, profit, or cost element of the bid price, or of that of any other bidder, or to secure any advantage against the public body awarding the contract of anyone interested in the proposed contract; that all statements contained in the bid are true; and, further, that the bidder has not, directly or indirectly, submitted his or her bid price or any breakdown thereof, or the contents thereof, or divulged information or data relative thereto, or paid, and will not pay, any fee to any corporation, partnership, company, association, organization, bid depository, or to any member or agent thereof to effectuate a collusive or sham bid.

The undersigned bidder(s) further warrants that bidder(s) has thoroughly examined and understands the entire Contract Documents (plans and specifications) and the Bidding Documents therefore, and that by submitting said Bidding Documents as its bid proposal, bidder(s) acknowledges and is bound by the entire Contract Documents, including any addenda issued thereto, as such Contract Documents incorporated by reference in the Bidding Documents.

IF A SOLE OWNER OR SOLE CONTRACTOR SIGN HERE:

- (1) Name under which business is conducted N/A
- (2) Signature (Given and surname) of proprietor _____
- (3) Place of Business (Street & Number) _____
- (4) City and State _____ Zip Code _____
- (5) Telephone No. _____ Facsimile No. _____
- (6) Email Address _____

IF A PARTNERSHIP, SIGN HERE:

- (1) Name under which business is conducted N/A

BIDDING DOCUMENTS

(2) Name of each member of partnership, indicate character of each partner, general or special (limited):

(3) Signature (Note: Signature must be made by a general partner)

Full Name and Character of partner

(4) Place of Business (Street & Number) _____

(5) City and State _____ Zip Code _____

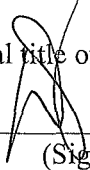
(6) Telephone No. _____ Facsimile No. _____

(7) Email Address _____

IF A CORPORATION, SIGN HERE:

(1) Name under which business is conducted West Coast General Corporation

(2) Signature, with official title of officer authorized to sign for the corporation:



(Signature)

David E. Davey

(Printed Name)

President

(Title of Officer)

(Impress Corporate Seal Here)

(3) Incorporated under the laws of the State of California

(4) Place of Business (Street & Number) 13700 Stowe Dr., Suite 100

(5) City and State Poway, CA Zip Code 92064

(6) Telephone No. 619.561.4200 Facsimile No. 619.561.4205

(7) Email Address ddavey@wcgcorp.com

BIDDING DOCUMENTS

THE FOLLOWING SECTIONS MUST BE FILLED IN BY ALL PROPOSERS:

In accordance with the "NOTICE INVITING BIDS", the bidder holds a California State Contractor's license for the following classification(s) to perform the work described in these specifications:

LICENSE CLASSIFICATION A, B

LICENSE NO. 479019 EXPIRES September 30, 2015


This license classification must also be shown on the front of the bid envelope. Failure to show license classification on the bid envelope may cause return of the bid unopened.

TAX IDENTIFICATION NUMBER (TIN): [REDACTED]

Email Address: ddavey@wcgcorp.com

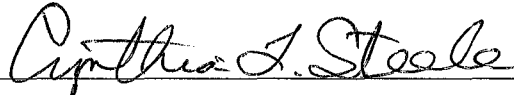
THIS PROPOSAL MUST BE NOTARIZED BELOW:

I certify, under penalty of perjury, that the representations made herein regarding my State Contractor's license number, classification and expiration date are true and correct.

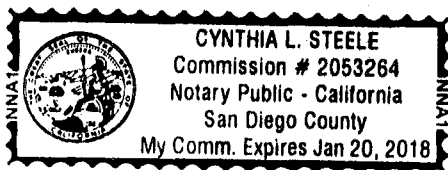
Signature  Title David E. Davey, President

SUBSCRIBED AND SWORN TO BEFORE ME, THIS 16th DAY OF October, 2014.

Notary Public in and for the County of San Diego, State of California



(NOTARIAL SEAL)



BIDDING DOCUMENTS

BID BOND

KNOW ALL MEN BY THESE PRESENTS,

That West Coast General Corporation as Principal, and
Fidelity and Deposit Company of Maryland as Surety, are held and firmly bound unto The City of San Diego hereinafter called "OWNER," in the sum of **10% OF THE TOTAL BID AMOUNT** for the payment of which sum, well and truly to be made, we bind ourselves, our heirs, executors, administrators, successors, and assigns, jointly and severally, firmly by these presents.

WHEREAS, said Principal has submitted a Bid to said OWNER to perform the WORK required under the bidding schedule(s) of the OWNER's Contract Documents entitled

Los Penasquitos / Black Mountain Ranger Station

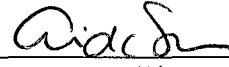
NOW THEREFORE, if said Principal is awarded a contract by said OWNER and, within the time and in the manner required in the "Notice Inviting Bids" enters into a written Agreement on the form of agreement bound with said Contract Documents, furnishes the required certificates of insurance, and furnishes the required Performance Bond and Payment Bond, then this obligation shall be null and void, otherwise it shall remain in full force and effect. In the event suit is brought upon this bond by said OWNER and OWNER prevails, said Surety shall pay all costs incurred by said OWNER in such suit, including a reasonable attorney's fee to be fixed by the court.

SIGNED AND SEALED, this 7 day of October, 2014

West Coast General Corporation (SEAL)
(Principal)

Fidelity and Deposit Company of Maryland (SEAL)
(Surety)

By:  David E. Davey
(Signature) President

By:  Aidan Smock
(Signature) Attorney-in-Fact

(SEAL AND NOTARIAL ACKNOWLEDGEMENT OF SURETY)

**ZURICH AMERICAN INSURANCE COMPANY
COLONIAL AMERICAN CASUALTY AND SURETY COMPANY
FIDELITY AND DEPOSIT COMPANY OF MARYLAND
POWER OF ATTORNEY**

KNOW ALL MEN BY THESE PRESENTS: That the ZURICH AMERICAN INSURANCE COMPANY, a corporation of the State of New York, the COLONIAL AMERICAN CASUALTY AND SURETY COMPANY, a corporation of the State of Maryland, and the FIDELITY AND DEPOSIT COMPANY OF MARYLAND a corporation of the State of Maryland (herein collectively called the "Companies"), by **THOMAS O. MCCLELLAN, Vice President**, in pursuance of authority granted by Article V, Section 8, of the By-Laws of said Companies, which are set forth on the reverse side hereof and are hereby certified to be in full force and effect on the date hereof, do hereby nominate, constitute, and appoint **Richard HALLETT, Aidan SMOCK, Tim MCCLELLAN and Marta COLLETT, all of San Diego, California, EACH** its true and lawful agent and Attorney-in-Fact, to make, execute, seal and deliver, for, and on its behalf as surety, and as its act and deed: **any and all bonds and undertakings**, and the execution of such bonds or undertakings in pursuance of these presents, shall be as binding upon said Companies, as fully and amply, to all intents and purposes, as if they had been duly executed and acknowledged by the regularly elected officers of the ZURICH AMERICAN INSURANCE COMPANY at its office in New York, New York., the regularly elected officers of the COLONIAL AMERICAN CASUALTY AND SURETY COMPANY at its office in Owings Mills, Maryland., and the regularly elected officers of the FIDELITY AND DEPOSIT COMPANY OF MARYLAND at its office in Owings Mills, Maryland., in their own proper persons.

The said Vice President does hereby certify that the extract set forth on the reverse side hereof is a true copy of Article V, Section 8, of the By-Laws of said Companies, and is now in force.

IN WITNESS WHEREOF, the said Vice-President has hereunto subscribed his/her names and affixed the Corporate Seals of the said **ZURICH AMERICAN INSURANCE COMPANY, COLONIAL AMERICAN CASUALTY AND SURETY COMPANY, and FIDELITY AND DEPOSIT COMPANY OF MARYLAND**, this 3rd day of January, A.D. 2014.

ATTEST:

**ZURICH AMERICAN INSURANCE COMPANY
COLONIAL AMERICAN CASUALTY AND SURETY COMPANY
FIDELITY AND DEPOSIT COMPANY OF MARYLAND**



By: *Eric D. Barnes*
*Assistant Secretary
Eric D. Barnes*

Thomas O. McClellan
*Vice President
Thomas O. McClellan*

State of Maryland
City of Baltimore

On this 3rd day of January, A.D. 2014, before the subscriber, a Notary Public of the State of Maryland, duly commissioned and qualified, **THOMAS O. MCCLELLAN, Vice President, and ERIC D. BARNES, Assistant Secretary**, of the Companies, to me personally known to be the individuals and officers described in and who executed the preceding instrument, and acknowledged the execution of same, and being by me duly sworn, deposeth and saith, that he/she is the said officer of the Company aforesaid, and that the seals affixed to the preceding instrument are the Corporate Seals of said Companies, and that the said Corporate Seals and the signature as such officer were duly affixed and subscribed to the said instrument by the authority and direction of the said Corporations.

IN TESTIMONY WHEREOF, I have hereunto set my hand and affixed my Official Seal the day and year first above written.

Constance A. Dunn

Constance A. Dunn, Notary Public
My Commission Expires: July 14, 2015



CALIFORNIA ALL-PURPOSE ACKNOWLEDGMENT

STATE OF CALIFORNIA

County of San Diego }


On OCT 07 2014 before me, Richard P. Hallett, Notary Public,
Date Here Insert Name and Title of the Officer

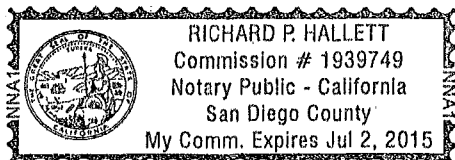
personally appeared Aidan Smock
Name(s) of Signer(s)

who proved to me on the basis of satisfactory evidence to be the person(s) whose name(s) is/are subscribed to the within instrument and acknowledged to me that he/she/they executed the same in his/her/their authorized capacity(ies), and that by his/her/their signature(s) on the instrument the person(s), or the entity upon behalf of which the person(s) acted, executed the instrument.

I certify under PENALTY OF PERJURY under the laws of the State of California that the foregoing paragraph is true and correct.

Witness my hand and official seal.

Signature 
Signature of Notary Public



Place Notary Seal Above

OPTIONAL

Though the information below is not required by law, it may prove valuable to persons relying on the document and could prevent fraudulent removal and reattachment of this form to another document.

Description of Attached Document

Title or Type of Document: _____

Document Date: _____ Number of Pages: _____

Signer(s) Other Than Named Above: _____

Capacity(ies) Claimed by Signer(s)

Signer's Name: _____

- Individual
- Corporate Officer — Title(s): _____
- Partner — Limited General
- Attorney in Fact
- Trustee
- Guardian or Conservator
- Other: _____

RIGHT THUMBPRINT OF SIGNER

Top of thumb here

Signer Is Representing: _____

Signer's Name: _____

- Individual
- Corporate Officer — Title(s): _____
- Partner — Limited General
- Attorney in Fact
- Trustee
- Guardian or Conservator
- Other: _____

RIGHT THUMBPRINT OF SIGNER

Top of thumb here

Signer Is Representing: _____

BIDDING DOCUMENTS

**NON-COLLUSION AFFIDAVIT TO BE EXECUTED BY BIDDER AND
SUBMITTED WITH BID UNDER 23 UNITED STATES CODE 112 AND
PUBLIC CONTRACT CODE 7106**

State of California)
) ss.
County of San Diego)

David E. Davey, being first duly sworn, deposes and says that he or she is President of the party making the foregoing bid that the bid is not made in the interest of, or on behalf of, any undisclosed person, partnership, company, association, organization, or corporation; that the bid is genuine and not collusive or sham; that the bidder has not directly or indirectly induced or solicited any other bidder to put in a false or sham bid, and has not directly or indirectly colluded, conspired, connived, or agreed with any bidder or anyone else to put in a sham bid, or that anyone shall refrain from bidding; that the bidder has not in any manner, directly or indirectly, sought by agreement, communication, or conference with anyone to fix the bid price of the bidder or any other bidder, or to fix any overhead, profit, or cost element of the bid price, or of that of any other bidder, or to secure any advantage against the public body awarding the contract of anyone interested in the proposed contract; that all statements contained in the bid are true; and further, that the bidder has not, directly or indirectly, submitted his or her bid price or any breakdown thereof, or the contents thereof, or divulged information or data relative thereto, or paid, and will not pay, any fee to any corporation, partnership, company association, organization, bid depository, or to any member or agent thereof to effectuate a collusive or sham bid.

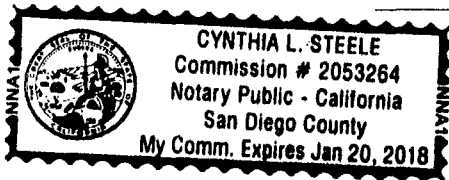
Signed: _____ 

Title: David E. Davey, President

Subscribed and sworn to before me this 16th day of October, 2014

Cynthia L. Steele
Notary Public

(SEAL)



BIDDING DOCUMENTS

CONTRACTORS CERTIFICATION OF PENDING ACTIONS

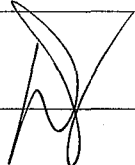
As part of its bid or proposal (Non-Price Proposal in the case of Design-Build contracts), the Bidder shall provide to the City a list of all instances within the past 10 years where a complaint was filed or pending against the Bidder in a legal or administrative proceeding alleging that Bidder discriminated against its employees, subcontractors, vendors or suppliers, and a description of the status or resolution of that complaint, including any remedial action taken.

CHECK ONE BOX ONLY.

- The undersigned certifies that within the past 10 years the Bidder has NOT been the subject of a complaint or pending action in a legal administrative proceeding alleging that Bidder discriminated against its employees, subcontractors, vendors or suppliers.
- The undersigned certifies that within the past 10 years the Bidder has been the subject of a complaint or pending action in a legal administrative proceeding alleging that Bidder discriminated against its employees, subcontractors, vendors or suppliers. A description of the status or resolution of that complaint, including any remedial action taken and the applicable dates is as follows:

DATE OF CLAIM	LOCATION	DESCRIPTION OF CLAIM	LITIGATION (Y/N)	STATUS	RESOLUTION/REMEDIAL ACTION TAKEN

Contractor Name: West Coast General Corporation

Certified By David E. Davey Title President
 Name
 Signature  Date 10/17/14

USE ADDITIONAL FORMS AS NECESSARY

BIDDING DOCUMENTS

**EQUAL BENEFITS ORDINANCE
CERTIFICATION OF COMPLIANCE**



For additional information, contact:
CITY OF SAN DIEGO
EQUAL BENEFITS PROGRAM
 202 C Street, MS 9A, San Diego, CA 92101
 Phone (619) 533-3948 Fax (619) 533-3220

COMPANY INFORMATION

Company Name: West Coast General Corporation	Contact Name: David E. Davey
Company Address: 13700 Stowe Dr., Suite 100	Contact Phone: 619.561.4200 ext. 14
Poway, CA 92064	Contact Email: ddavey@wcgcorp.com

CONTRACT INFORMATION

Contract Title: Los Penasquitos / Black Mountain Ranger Station	Start Date: T. B. D
Contract Number (if no number, state location): K-15-1234-DBB-3	End Date: 132 Days after NTP

SUMMARY OF EQUAL BENEFITS ORDINANCE REQUIREMENTS

The Equal Benefits Ordinance [EBO] requires the City to enter into contracts only with contractors who certify they will provide and maintain equal benefits as defined in SDMC §22.4302 for the duration of the contract. To comply:

- Contractor shall offer equal benefits to employees with spouses and employees with domestic partners.
 - Benefits include health, dental, vision insurance; pension/401(k) plans; bereavement, family, parental leave; discounts, child care; travel/relocation expenses; employee assistance programs; credit union membership; or any other benefit.
 - Any benefit not offer an employee with a spouse, is not required to be offered to an employee with a domestic partner.
- Contractor shall post notice of firm's equal benefits policy in the workplace and notify employees at time of hire and during open enrollment periods.
- Contractor shall allow City access to records, when requested, to confirm compliance with EBO requirements.
- Contractor shall submit *EBO Certification of Compliance*, signed under penalty of perjury, prior to award of contract.

NOTE: This summary is provided for convenience. Full text of the EBO and Rules Implementing the EBO are available at www.sandiego.gov/administration.

CONTRACTOR EQUAL BENEFITS ORDINANCE CERTIFICATION

Please indicate your firm's compliance status with the EBO. The City may request supporting documentation.

I affirm **compliance** with the EBO because my firm (*contractor must select one reason*):

- Provides equal benefits to spouses and domestic partners.
- Provides no benefits to spouses or domestic partners.
- Has no employees.
- Has collective bargaining agreement(s) in place prior to January 1, 2011, that has not been renewed or expired.

I request the City's approval to pay affected employees a cash equivalent in lieu of equal benefits and verify my firm made a reasonable effort but is not able to provide equal benefits upon contract award. I agree to notify employees of the availability of a cash equivalent for benefits available to spouses but not domestic partners and to continue to make every reasonable effort to extend all available benefits to domestic partners.

It is unlawful for any contractor to knowingly submit any false information to the City regarding equal benefits or cash equivalent associated with the execution, award, amendment, or administration of any contract. [San Diego Municipal Code §22.4307(a)]

Under penalty of perjury under laws of the State of California, I certify the above information is true and correct. I further certify that my firm understands the requirements of the Equal Benefits Ordinance and will provide and maintain equal benefits for the duration of the contract or pay a cash equivalent if authorized by the City.

David E. Davey, President

Name/Title of Signatory

Signature

Date

10/17/14

FOR OFFICIAL CITY USE ONLY

Receipt Date: _____ EBO Analyst: _____ Approved Not Approved – Reason: _____

(Rev 02/15/2011)

BIDDING DOCUMENTS

PROPOSAL (BID)

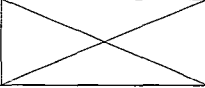

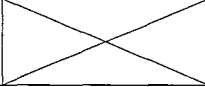

The Bidder agrees to the construction of **Los Penasquitos / Black Mountain Ranger Station** for the City of San Diego, in accordance with these contract documents for the prices listed below. The Bidder guarantees the Contract Price for a period of 120 days (90 days for federally funded contracts and contracts valued at \$500,000 or less) from the date of Bid opening to Award of the Contract. The duration of the Contract Price guarantee shall be extended by the number of days required for the City to obtain all items necessary to fulfill all conditions precedent e.g., bond and insurance.

Item	Quantity	Unit	NAICS	Payment Reference	Description	Unit Price	Extension
BASE BID							
1	1	LS	524126	2-4.1	Bonds (Payment and Performance)	 	\$ 9309-
2	1	AL	236220	7-5.3	Building Permits - Type I	 	\$5,000
3	1	LS	238210	7-5.3	SDG&E Permitted Work	 	\$ 46,042-
4	1	LS	237310	7-10.2.6	Traffic Control	 	\$ 4019-
5	1	LS	236220	9-3.1	Prefabricated Ranger Station	 	\$ 403,790-
6	1	AL		9-3.5	Field Orders - Type II	 	\$55,000.00
7	1	LS	541330	701-13.8.4	Water Pollution Control Program Development	 	\$ 535-
8	1	LS	237990	701-13.8.4	Water Pollution Control Program Implementation	 	\$ 14,306-

BIDDING DOCUMENTS

Item	Quantity	Unit	NAICS	Payment Reference	Description	Unit Price	Extension
9	1	LS	236220	9-3.1	Site improvements, labor and materials related to the Ranger Station shown in the plans and specified in these contract documents	X	\$ 541,839-
10	1	LS	541330	700-2.15	Biological and Acoustical Monitoring and Reporting	X	\$ 5286-
ESTIMATED TOTAL BASE BID:							\$ 1,085,126-
ADDITIVE ALTERNATE A							
1	1	LS	332313	9-3.1	Trash and Recycling Receptacle	X	\$ 3,046 ^{D.O.} 3,046-
ESTIMATED TOTAL ADDITIVE ALTERNATE A:							\$ 3,046 ^{D.O.} 3,046-D.O.
ADDITIVE ALTERNATE B							
1	1	LS	332313	9-3.1	Bike Rack	X	\$ 1353-
ESTIMATED TOTAL ADDITIVE ALTERNATE B:							\$ 1353-
ADDITIVE ALTERNATE C							
1	1	LS	238130	9-3.1	Horse Hitching Post	X	\$ 1663-
ESTIMATED TOTAL ADDITIVE ALTERNATE C:							\$ 1663-

BIDDING DOCUMENTS

Item	Quantity	Unit	NAICS	Payment Reference	Description	Unit Price	Extension
ADDITIVE ALTERNATE D							
1	1	LS	238130	9-3.1	Interpretive Panel		\$ 1500 -
ESTIMATED TOTAL ADDITIVE ALTERNATE D:							\$ 1500 -
ADDITIVE ALTERNATE E							
1	1	LS	238130	9-3.1	Information Kiosk		\$ 4876 -
ESTIMATED TOTAL ADDITIVE ALTERNATE E:							\$ 4876 -
ADDITIVE ALTERNATE F							
1	1	LS	561730	9-3.1	Seed Mix & Irrigation on North End of site (Omit Bark Mulch in this area)		\$ 17,537 -
ESTIMATED TOTAL ADDITIVE ALTERNATE F:							\$ 17,537 -
ADDITIVE ALTERNATE G							
1	1	LS	332313	9-3.1	Steel Edging		\$ 27,129 -
ESTIMATED TOTAL ADDITIVE ALTERNATE G:							\$ 27,129 -
ESTIMATED TOTAL BASE BID PLUS ADDITIVE ALTERNATES A, B, C, D, E, F AND G:							\$ 1,142,230 -

BIDDING DOCUMENTS

TOTAL BID PRICE FOR BID (Items 1 through 10, plus Additive Alternate A, item 1, Additive Alternate B, item 1, Additive Alternate C, item 1, Additive Alternate D, item 1, Additive Alternate E, item 1, Additive Alternate F and Additive Alternate G, item 1, inclusive) amount written in words:

ONE MILLION ONE HUNDRED FORTY-TWO THOUSAND TWO HUNDRED THIRTY DOLLARS ZERO CENTS

The Bid shall contain an acknowledgment of receipt of all addenda, the numbers of which shall be filled in on the Bid form. If an addendum or addenda has been issued by the City and not noted as being received by the Bidder, this proposal shall be rejected as being **non-responsive**. The following addenda have been received and are acknowledged in this bid: Addendum A,

The names of all persons interested in the foregoing proposal as principals are as follows:

David E. Davey, President

Robert H. Garcia, Vice President

Cynthia L. Steele, Secretary/Treasurer

IMPORTANT NOTICE: If Bidder or other interested person is a corporation, state secretary, treasurer, and manager thereof; if a co-partnership, state true name of firm, also names of all individual co-partners composing firm; if Bidder or other interested person is an individual, state first and last names in full.

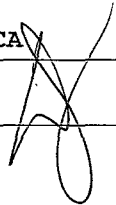
Bidder: West Coast General Corporation

Title: David E. Davey, President

Business Address: 13700 Stowe Dr., Suite 100, Poway, CA, 92064

Place of Business: Poway, CA

Place of Residence: Escondido, CA

Signature: _____


BIDDING DOCUMENTS

NOTES:

- A. The City shall determine the low Bid based on the Base Bid plus the following Additive or Deductive Alternates: A, B, C, D, E, F and G.
- B. After the low Bid has been determined, the City may award the Contract for the Base Bid alone or if applicable, for the Base Bid plus any combination of alternates selected in the City's sole discretion.
- C. Prices and notations shall be in ink or typewritten. All corrections (which have been initiated by the Bidder using erasures, strike out, line out, or "white-out") shall be typed or written in with ink adjacent thereto, and shall be initialed in ink by the person signing the bid proposal.
- D. Failure to initial all corrections made in the bidding documents may cause the Bid to be rejected as **non-responsive** and ineligible for further consideration.
- E. Blank spaces must be filled in, using figures. Bidder's failure to submit a price for any Bid item that requires the Bidder to submit a price shall render the Bid **non-responsive** and shall be cause for its rejection.
- F. Unit prices shall be entered for all unit price items. Unit prices shall not exceed two (2) decimal places. If the Unit prices entered exceed two (2) decimal places, the City will only use the first two digits after the decimal points without rounding up or down.
- G. All extensions of the unit prices bid will be subject to verification by the City. In the case of inconsistency or conflict between the product of the Quantity x Unit Price and the Extension, the product shall govern.
- H. In the case of inconsistency or conflict, between the sums of the Extensions with the estimated total Bid, the sum of the Extensions shall govern.
- I. Bids shall not contain any recapitulation of the Work. Conditional Bids will be rejected as being **non-responsive**. Alternative proposals will not be considered unless called for.
- J. Subcontractors' License Number must be filled in. Failure to provide the information specified may deem the bidder **non-responsive**.

LIST OF SUBCONTRACTORS

In accordance with the requirements provided in the "Subletting and Subcontracting Fair Practices Act", Division 2, Part 1, Chapter 4 of the Public Contract Code, the Bidder shall list below the name and address of each Subcontractor who will perform work, labor, render services or specially fabricates and installs a portion [type] of the work or improvement, in an amount in excess of 0.5% of the Contractor's total Bid. The Bidder shall also list below the portion of the work which will be done by each subcontractor under this Contract. The Contractor shall list only one Subcontractor for each portion of the Work. The **DOLLAR VALUE** of the total Bid to be performed shall be stated for all subcontractors listed. Failure to comply with this requirement shall result in the Bid being rejected as **non-responsive** and ineligible for award. The Bidder's attention is directed to the Special Provisions - General; Paragraph 2-3 Subcontracts, which stipulates the percent of the Work to be performed with the Bidders' own forces. The Bidder shall list all SLBE, ELBE, DBE, DVBE, MBE, WBE, OBE, SDB, WoSB, HUBZone, and SDVOSB Subcontractors that Bidders are seeking recognition towards achieving any mandatory, voluntary, or both subcontracting participation percentages.

Subcontractors' License Number must be filled in. Failure to provide the information specified may deem the bidder **non-responsive**.

NAME, ADDRESS AND TELEPHONE NUMBER OF SUBCONTRACTOR	CONSTRUCTOR OR DESIGNER	SUBCONTRACTOR LICENSE NUMBER	TYPE OF WORK	DOLLAR VALUE OF SUBCONTRACT (MUST BE FILLED OUT)	MBE, WBE, DBE, DVBE, OBE, ELBE, SLBE, SDB, WoSB, HUBZone, OR SDVOSB ^①	WHERE CERTIFIED ^②	CHECK IF JOINT VENTURE PARTNERSHIP
Name: <u>Underground Pipeline Solutions, Inc.</u> Address: _____ City: <u>ALPINE</u> State: <u>CA</u> Zip: _____ Phone: _____ Email: _____	<u>Constructor</u>	<u>956807</u>	<u>portion of west underground</u>	<u>\$69,223</u>	<u>ELBE</u>	<u>CITY</u>	
Name: <u>Dagblain Grading</u> Address: _____ City: <u>FILLMORE</u> State: <u>CA</u> Zip: _____ Phone: _____ Email: _____	<u>D.P. Constructor</u>	<u>555963</u>	<u>portion of Grading & DG placement</u>	<u>\$130,500-</u>			

① As appropriate, Bidder shall identify Subcontractor as one of the following and shall include a valid proof of certification (except for OBE, SLBE and ELBE):

Certified Minority Business Enterprise	MBE	Certified Woman Business Enterprise	WBE
Certified Disadvantaged Business Enterprise	DBE	Certified Disabled Veteran Business Enterprise	DVBE
Other Business Enterprise	OBE	Certified Emerging Local Business Enterprise	ELBE
Certified Small Local Business Enterprise	SLBE	Small Disadvantaged Business	SDB
Woman-Owned Small Business	WoSB	HUBZone Business	HUBZone
Service-Disabled Veteran Owned Small Business	SDVOSB		

② As appropriate, Bidder shall indicate if Subcontractor is certified by:

City of San Diego	CITY	State of California Department of Transportation	CALTRANS
California Public Utilities Commission	CPUC	San Diego Regional Minority Supplier Diversity Council	SRMSDC
State of California's Department of General Services	CADoGS	City of Los Angeles	LA
State of California	CA	U.S. Small Business Administration	SBA

The Bidder will not receive any subcontracting participation percentages if the Bidder fails to submit the required proof of certification.

LIST OF SUBCONTRACTORS

In accordance with the requirements provided in the "Subletting and Subcontracting Fair Practices Act", Division 2, Part 1, Chapter 4 of the Public Contract Code, the Bidder shall list below the name and address of each Subcontractor who will perform work, labor, render services or specially fabricates and installs a portion [type] of the work or improvement, in an amount in excess of 0.5% of the Contractor's total Bid. The Bidder shall also list below the portion of the work which will be done by each subcontractor under this Contract. The Contractor shall list only one Subcontractor for each portion of the Work. The **DOLLAR VALUE** of the total Bid to be performed shall be stated for all subcontractors listed. Failure to comply with this requirement shall result in the Bid being rejected as **non-responsive** and ineligible for award. The Bidder's attention is directed to the Special Provisions - General; Paragraph 2-3 Subcontracts, which stipulates the percent of the Work to be performed with the Bidders' own forces. The Bidder shall list all SLBE, ELBE, DBE, DVBE, MBE, WBE, OBE, SDB, WoSB, HUBZone, and SDVOSB Subcontractors that Bidders are seeking recognition towards achieving any mandatory, voluntary, or both subcontracting participation percentages.

Subcontractors' License Number must be filled in. Failure to provide the information specified may deem the bidder **non-responsive**.

NAME, ADDRESS AND TELEPHONE NUMBER OF SUBCONTRACTOR	CONSTRUCTOR OR DESIGNER	SUBCONTRACTOR LICENSE NUMBER	TYPE OF WORK	DOLLAR VALUE OF SUBCONTRACT (MUST BE FILLED OUT)	MBE, WBE, DBE, DVBE, OBE, ELBE, SLBE, SDB, WoSB, HUBZone, OR SDVOSB ^①	WHERE CERTIFIED ^②	CHECK IF JOINT VENTURE PARTNERSHIP
Name: <u>J & B Engineering Surveys</u> Address: _____ City: <u>Poway</u> State: <u>CA</u> Zip: _____ Phone: _____ Email: _____	<u>SERVICE</u>	<u>N/A</u>	<u>portion of Survey</u>	<u>\$ 9,500-</u>			
Name: <u>SCOTT FENCE</u> Address: _____ City: <u>VISTA</u> State: <u>CA</u> Zip: _____ Phone: _____ Email: _____	<u>D.O. Contractor</u> <u>Contractor</u>	<u>13581918</u>	<u>portion of Fencing</u>	<u>\$ 19,700-</u>			

① As appropriate, Bidder shall identify Subcontractor as one of the following and shall include a valid proof of certification (except for OBE, SLBE and ELBE):

- | | | | |
|---|--------|--|---------|
| Certified Minority Business Enterprise | MBE | Certified Woman Business Enterprise | WBE |
| Certified Disadvantaged Business Enterprise | DBE | Certified Disabled Veteran Business Enterprise | DVBE |
| Other Business Enterprise | OBE | Certified Emerging Local Business Enterprise | ELBE |
| Certified Small Local Business Enterprise | SLBE | Small Disadvantaged Business | SDB |
| Woman-Owned Small Business | WoSB | HUBZone Business | HUBZone |
| Service-Disabled Veteran Owned Small Business | SDVOSB | | |

② As appropriate, Bidder shall indicate if Subcontractor is certified by:

- | | | | |
|--|--------|--|----------|
| City of San Diego | CITY | State of California Department of Transportation | CALTRANS |
| California Public Utilities Commission | CPUC | San Diego Regional Minority Supplier Diversity Council | SRMSDC |
| State of California's Department of General Services | CADoGS | City of Los Angeles | LA |
| State of California | CA | U.S. Small Business Administration | SBA |

The Bidder will not receive any subcontracting participation percentages if the Bidder fails to submit the required proof of certification.

LIST OF SUBCONTRACTORS

In accordance with the requirements provided in the "Subletting and Subcontracting Fair Practices Act", Division 2, Part 1, Chapter 4 of the Public Contract Code, the Bidder shall list below the name and address of each Subcontractor who will perform work, labor, render services or specially fabricates and installs a portion [type] of the work or improvement, in an amount in excess of 0.5% of the Contractor's total Bid. The Bidder shall also list below the portion of the work which will be done by each subcontractor under this Contract. The Contractor shall list only one Subcontractor for each portion of the Work. The **DOLLAR VALUE** of the total Bid to be performed shall be stated for all subcontractors listed. Failure to comply with this requirement shall result in the Bid being rejected as **non-responsive** and ineligible for award. The Bidder's attention is directed to the Special Provisions - General; Paragraph 2-3 Subcontracts, which stipulates the percent of the Work to be performed with the Bidders' own forces. The Bidder shall list all SLBE, ELBE, DBE, DVBE, MBE, WBE, OBE, SDB, WoSB, HUBZone, and SDVOSB Subcontractors that Bidders are seeking recognition towards achieving any mandatory, voluntary, or both subcontracting participation percentages.

Subcontractors' License Number must be filled in. Failure to provide the information specified may deem the bidder **non-responsive**.

NAME, ADDRESS AND TELEPHONE NUMBER OF SUBCONTRACTOR	CONSTRUCTOR OR DESIGNER	SUBCONTRACTOR LICENSE NUMBER	TYPE OF WORK	DOLLAR VALUE OF SUBCONTRACT (MUST BE FILLED OUT)	MBE, WBE, DBE, DVBE, OBE, ELBE, SLBE, SDB, WoSB, HUBZone, OR SDVOSB ^①	WHERE CERTIFIED ^②	CHECK IF JOINT VENTURE PARTNERSHIP
Name: <u>ACE ELECTRIC INC</u> Address: _____ City: <u>San Diego</u> State: <u>CA</u> Zip: _____ Phone: _____ Email: _____	Constructor	835 109	portion of Electrical	\$ 58,500-			
Name: <u>Public Restroom Company</u> Address: _____ City: <u>Minden</u> State: <u>N.V.</u> Zip: _____ Phone: _____ Email: _____	Constructor	822966B	portion of Prefabricated Building	\$ 377,374-			

① As appropriate, Bidder shall identify Subcontractor as one of the following and shall include a valid proof of certification (except for OBE, SLBE and ELBE):

- | | | | |
|---|--------|--|---------|
| Certified Minority Business Enterprise | MBE | Certified Woman Business Enterprise | WBE |
| Certified Disadvantaged Business Enterprise | DBE | Certified Disabled Veteran Business Enterprise | DVBE |
| Other Business Enterprise | OBE | Certified Emerging Local Business Enterprise | ELBE |
| Certified Small Local Business Enterprise | SLBE | Small Disadvantaged Business | SDB |
| Woman-Owned Small Business | WoSB | HUBZone Business | HUBZone |
| Service-Disabled Veteran Owned Small Business | SDVOSB | | |

② As appropriate, Bidder shall indicate if Subcontractor is certified by:

- | | | | |
|--|--------|--|----------|
| City of San Diego | CITY | State of California Department of Transportation | CALTRANS |
| California Public Utilities Commission | CPUC | San Diego Regional Minority Supplier Diversity Council | SRMSDC |
| State of California's Department of General Services | CADoGS | City of Los Angeles | LA |
| State of California | CA | U.S. Small Business Administration | SBA |

The Bidder will not receive any subcontracting participation percentages if the Bidder fails to submit the required proof of certification.

LIST OF SUBCONTRACTORS

In accordance with the requirements provided in the "Subletting and Subcontracting Fair Practices Act", Division 2, Part 1, Chapter 4 of the Public Contract Code, the Bidder shall list below the name and address of each Subcontractor who will perform work, labor, render services or specially fabricates and installs a portion [type] of the work or improvement, in an amount in excess of 0.5% of the Contractor's total Bid. The Bidder shall also list below the portion of the work which will be done by each subcontractor under this Contract. The Contractor shall list only one Subcontractor for each portion of the Work. The **DOLLAR VALUE** of the total Bid to be performed shall be stated for all subcontractors listed. Failure to comply with this requirement shall result in the Bid being rejected as **non-responsive** and ineligible for award. The Bidder's attention is directed to the Special Provisions - General; Paragraph 2-3 Subcontracts, which stipulates the percent of the Work to be performed with the Bidders' own forces. The Bidder shall list all SLBE, ELBE, DBE, DVBE, MBE, WBE, OBE, SDB, WoSB, HUBZone, and SDVOSB Subcontractors that Bidders are seeking recognition towards achieving any mandatory, voluntary, or both subcontracting participation percentages.

Subcontractors' License Number must be filled in. Failure to provide the information specified may deem the bidder **non-responsive**.

NAME, ADDRESS AND TELEPHONE NUMBER OF SUBCONTRACTOR	CONSTRUCTOR OR DESIGNER	SUBCONTRACTOR LICENSE NUMBER	TYPE OF WORK	DOLLAR VALUE OF SUBCONTRACT (MUST BE FILLED OUT)	MBE, WBE, DBE, DVBE, OBE, ELBE, SLBE, SDB, WoSB, HUBZone, OR SDVOSB ^①	WHERE CERTIFIED ^②	CHECK IF JOINT VENTURE PARTNERSHIP
Name: <u>QSB Construction</u> Address: _____ City: <u>Escondido</u> State: <u>CA</u> Zip: _____ Phone: _____ Email: _____	<u>Constructor</u>	<u>956107</u>	<u>portion of PCC PAVEMENT</u>	<u>\$22,110-</u>	<u>ELBE</u>	<u>CITY</u>	
Name: <u>PAYCO SPECIALTIES</u> Address: _____ City: <u>Chula Vista</u> State: <u>CA</u> Zip: _____ Phone: _____ Email: _____	<u>Constructor</u>	<u>298637</u>	<u>Portion of Striping & Signage</u>	<u>\$5360-</u>	<u>SLBE</u>	<u>CITY</u>	

① As appropriate, Bidder shall identify Subcontractor as one of the following and shall include a valid proof of certification (except for OBE, SLBE and ELBE):

Certified Minority Business Enterprise	MBE	Certified Woman Business Enterprise	WBE
Certified Disadvantaged Business Enterprise	DBE	Certified Disabled Veteran Business Enterprise	DVBE
Other Business Enterprise	OBE	Certified Emerging Local Business Enterprise	ELBE
Certified Small Local Business Enterprise	SLBE	Small Disadvantaged Business	SDB
Woman-Owned Small Business	WoSB	HUBZone Business	HUBZone
Service-Disabled Veteran Owned Small Business	SDVOSB		

② As appropriate, Bidder shall indicate if Subcontractor is certified by:

City of San Diego	CITY	State of California Department of Transportation	CALTRANS
California Public Utilities Commission	CPUC	San Diego Regional Minority Supplier Diversity Council	SRMSDC
State of California's Department of General Services	CADoGS	City of Los Angeles	LA
State of California	CA	U.S. Small Business Administration	SBA

The Bidder will not receive any subcontracting participation percentages if the Bidder fails to submit the required proof of certification.

LIST OF SUBCONTRACTORS

In accordance with the requirements provided in the "Subletting and Subcontracting Fair Practices Act", Division 2, Part 1, Chapter 4 of the Public Contract Code, the Bidder shall list below the name and address of each Subcontractor who will perform work, labor, render services or specially fabricates and installs a portion [type] of the work or improvement, in an amount in excess of 0.5% of the Contractor's total Bid. The Bidder shall also list below the portion of the work which will be done by each subcontractor under this Contract. The Contractor shall list only one Subcontractor for each portion of the Work. The **DOLLAR VALUE** of the total Bid to be performed shall be stated for all subcontractors listed. Failure to comply with this requirement shall result in the Bid being rejected as **non-responsive** and ineligible for award. The Bidder's attention is directed to the Special Provisions - General; Paragraph 2-3 Subcontracts, which stipulates the percent of the Work to be performed with the Bidders' own forces. The Bidder shall list all SLBE, ELBE, DBE, DVBE, MBE, WBE, OBE, SDB, WoSB, HUBZone, and SDVOSB Subcontractors that Bidders are seeking recognition towards achieving any mandatory, voluntary, or both subcontracting participation percentages.

Subcontractors' License Number must be filled in. Failure to provide the information specified may deem the bidder **non-responsive**.

NAME, ADDRESS AND TELEPHONE NUMBER OF SUBCONTRACTOR	CONSTRUCTOR OR DESIGNER	SUBCONTRACTOR LICENSE NUMBER	TYPE OF WORK	DOLLAR VALUE OF SUBCONTRACT (MUST BE FILLED OUT)	MBE, WBE, DBE, DVBE, OBE, ELBE, SLBE, SDB, WoSB, HUBZone, OR SDVOSB ^①	WHERE CERTIFIED ^②	CHECK IF JOINT VENTURE PARTNERSHIP
Name: <u>Coast Landscaping Inc.</u> Address: _____ City: <u>Vista</u> State: <u>CA</u> Zip: _____ Phone: _____ Email: _____	<u>Constructor</u>	<u>353359</u>	<u>Portion of Landscaping and Irrigation</u>	<u>\$ 114,955-</u>	<u>SLBE</u>	<u>CITY</u>	
Name: _____ Address: _____ City: _____ State: _____ Zip: _____ Phone: _____ Email: _____							

① As appropriate, Bidder shall identify Subcontractor as one of the following and shall include a valid proof of certification (except for OBE, SLBE and ELBE):

Certified Minority Business Enterprise	MBE	Certified Woman Business Enterprise	WBE
Certified Disadvantaged Business Enterprise	DBE	Certified Disabled Veteran Business Enterprise	DVBE
Other Business Enterprise	OBE	Certified Emerging Local Business Enterprise	ELBE
Certified Small Local Business Enterprise	SLBE	Small Disadvantaged Business	SDB
Woman-Owned Small Business	WoSB	HUBZone Business	HUBZone
Service-Disabled Veteran Owned Small Business	SDVOSB		

② As appropriate, Bidder shall indicate if Subcontractor is certified by:

City of San Diego	CITY	State of California Department of Transportation	CALTRANS
California Public Utilities Commission	CPUC	San Diego Regional Minority Supplier Diversity Council	SRMSDC
State of California's Department of General Services	CADoGS	City of Los Angeles	LA
State of California	CA	U.S. Small Business Administration	SBA

The Bidder will not receive any subcontracting participation percentages if the Bidder fails to submit the required proof of certification.

BIDDING DOCUMENTS

NAMED EQUIPMENT/MATERIAL SUPPLIER LIST

The Bidder seeking the recognition of equipment, materials, or supplies obtained from Suppliers towards achieving any mandatory, voluntary, or both subcontracting participation percentages shall list the Supplier(s) on the Named Equipment/Material Supplier List. The Named Equipment/Material Supplier List, at a minimum, shall have the name, locations (City) and the **DOLLAR VALUE** of the Suppliers. The Bidder will be credited up to 60% of the amount to be paid to the Suppliers for such materials and supplies unless vendor manufactures or substantially alters materials and supplies in which case 100% will be credited. The Bidder is to indicate (Yes/No) whether listed firm is a supplier or manufacturer. In calculating the subcontractor participation percentages, vendors/suppliers will receive 60% credit of the listed **DOLLAR VALUE**, whereas manufacturers will receive 100% credit. If no indication provided, listed firm will be credited at 60% of the listed dollar value for purposes of calculating the Subcontractor Participation Percentage, Suppliers will receive 60% credit of the listed **DOLLAR VALUE**, whereas manufacturers will receive 100% credit. If no indication provided, listed firm will be credited at 60% of the listed **DOLLAR VALUE** for purposes of calculating the subcontractor participation percentages.

NAME, ADDRESS AND TELEPHONE NUMBER OF VENDOR/SUPPLIER	MATERIALS OR SUPPLIES	DOLLAR VALUE OF MATERIAL OR SUPPLIES (MUST BE FILLED OUT)	SUPPLIER (Yes/No)	MANUFACTURER (Yes/No)	MBE, WBE, DBE, DVBE, OBE, ELBE, SLBE, SDB, WoSB, HUBZone, OR SDVOSB	WHERE CERTIFIED
Name: _____ Address: _____ City: _____ State: _____ Zip: _____ Phone: _____ Email: _____	N/A					
Name: _____ Address: _____ City: _____ State: _____ Zip: _____ Phone: _____ Email: _____						

① As appropriate, Bidder shall identify Vendor/Supplier as one of the following and shall include a valid proof of certification (except for OBE,SLBE and ELBE):

- | | | | |
|---|--------|--|---------|
| Certified Minority Business Enterprise | MBE | Certified Woman Business Enterprise | WBE |
| Certified Disadvantaged Business Enterprise | DBE | Certified Disabled Veteran Business Enterprise | DVBE |
| Other Business Enterprise | OBE | Certified Emerging Local Business Enterprise | ELBE |
| Certified Small Local Business Enterprise | SLBE | Small Disadvantaged Business | SDB |
| Woman-Owned Small Business | WoSB | HUBZone Business | HUBZone |
| Service-Disabled Veteran Owned Small Business | SDVOSB | | |

② As appropriate, Bidder shall indicate if Vendor/Supplier is certified by:

- | | | | |
|--|--------|--|----------|
| City of San Diego | CITY | State of California Department of Transportation | CALTRANS |
| California Public Utilities Commission | CPUC | San Diego Regional Minority Supplier Diversity Council | SRMSDC |
| State of California's Department of General Services | CADoGS | City of Los Angeles | LA |
| State of California | CA | U.S. Small Business Administration | SBA |

The Bidder will not receive any subcontracting participation percentages if the Bidder fails to submit the required proof of certification.

BIDDING DOCUMENTS

SUBCONTRACTORS ADDITIVE/DEDUCTIVE ALTERNATE (USE ONLY WHEN ADDITIVE ALTERNATES ARE REQUIRED)

Bidder shall list all Subcontractors described in the Bidder's *Base Bid* whose percentage of work will increase or decrease if alternates are selected for award. Bidder shall also list additional Subcontractors not described in the Bidder's *Base Bid* who, as a result of the alternates, will perform work or labor, or render services, or specially fabricate and install a portion [type] of work or improvements in an amount in excess of 0.5%.. The Bidder shall list all SLBE, ELBE, DBE, DVBE, MBE, WBE, OBE, SDB, WoSB, HUBZone, and SDVOSB Subcontractors that Bidders are seeking recognition towards achieving any mandatory, voluntary, or both subcontracting participation percentages.

Subcontractors' License Number must be filled in. Failure to provide the information specified may deem the bidder **non-responsive**.

ADDITIVE/DEDUCTIVE ALTERNATE	NAME, ADDRESS AND TELEPHONE NUMBER OF SUBCONTRACTOR	CONSTRUCTOR OR DESIGNER	SUBCONTRACTOR LICENSE NUMBER	TYPE OF WORK	DOLLAR VALUE OF SUBCONTRACT (MUST BE FILLED OUT)	MBE, WBE, DBE, DVBE, OBE, ELBE, SLBE, SDB, WoSB, HUBZone, OR SDVOSB	WHERE CERTIFIED	CHECK IF JOINT VENTURE PARTNERSHIP
F	Name: <u>Coast Landscaping Inc</u> Address: _____ City: <u>Vista</u> State: <u>CA</u> Zip: _____ Phone: _____ Email: _____	Constructor	353359	portion of landscaping and Irrigation	\$17,193-	SLBE	City	
	Name: _____ Address: _____ City: _____ State: _____ Zip: _____ Phone: _____ Email: _____							

ⓐ As appropriate, Bidder shall identify Subcontractor as one of the following and shall include a valid proof of certification (except for OBE, SLBE and ELBE):

- | | | | |
|---|--------|--|---------|
| Certified Minority Business Enterprise | MBE | Certified Woman Business Enterprise | WBE |
| Certified Disadvantaged Business Enterprise | DBE | Certified Disabled Veteran Business Enterprise | DVBE |
| Other Business Enterprise | OBE | Certified Emerging Local Business Enterprise | ELBE |
| Certified Small Local Business Enterprise | SLBE | Small Disadvantaged Business | SDB |
| Woman-Owned Small Business | WoSB | HUBZone Business | HUBZone |
| Service-Disabled Veteran Owned Small Business | SDVOSB | | |

ⓑ As appropriate, Bidder shall indicate if Subcontractor is certified by:

- | | | | |
|--|--------|--|----------|
| City of San Diego | CITY | State of California Department of Transportation | CALTRANS |
| California Public Utilities Commission | CPUC | San Diego Regional Minority Supplier Diversity Council | SRMSDC |
| State of California's Department of General Services | CADoGS | City of Los Angeles | LA |
| State of California | CA | U.S. Small Business Administration | SBA |

The Bidder will not receive any subcontracting participations percentages if the Bidder fails to submit the required proof of certification.



Contractor's License Detail for License # 822966

DISCLAIMER: A license status check provides information taken from the CSLB license database. Before relying on this information, you should be aware of the following limitations.

CSLB complaint disclosure is restricted by law (B&P 7124.6) If this entity is subject to public complaint disclosure, a link for complaint disclosure will appear below. Click on the link or button to obtain complaint and/or legal action information.
Per B&P 7071.17 , only construction related civil judgments reported to the CSLB are disclosed.
Arbitrations are not listed unless the contractor fails to comply with the terms of the arbitration.
Due to workload, there may be relevant information that has not yet been entered onto the Board's license database.

Data current as of 10/21/2014 11:34:35 AM

Business Information

THE PUBLIC RESTROOM COMPANY
2587 BUSINESS PKWY
MINDEN, NV 89423
Business Phone Number:(888) 888-2060

Entity Corporation
Issue Date 08/22/2003
Expire Date **08/31/2015**

License Status

This license is current and active.

All information below should be reviewed.

Classifications

B - GENERAL BUILDING CONTRACTOR

Bonding Information

Contractor's Bond

This license filed a Contractor's Bond with INTERNATIONAL FIDELITY INSURANCE COMPANY.
Bond Number: 0329834
Bond Amount: \$12,500
Effective Date: 01/01/2007
Contractor's Bond History

Bond of Qualifying Individual

This license filed Bond of Qualifying Individual number **0329833** for KAUFMAN CHARLES EDWIN III in the amount of **\$12,500** with INTERNATIONAL FIDELITY INSURANCE COMPANY.
Effective Date: 01/01/2007
BQI's Bond History

Workers' Compensation

This license has workers compensation insurance with the WESCO INSURANCE COMPANY
Policy Number: WWC3107038
Effective Date: 10/01/2014
Expire Date: 10/01/2015
Workers' Compensation History



Housing and Community Development

Occupational License

License Detail



License Search		Help
----------------	--	------

[Printable Version](#)

For License: DL1109895

Licensee Name	Status	Original Issue Date	Expiration Date
THE PUBLIC RESTROOM COMPANY	Active	01/24/2003	01/31/2015
Business Name	Main Location	Participating Member	Active Employees
THE PUBLIC RESTROOM COMPANY	3521 GRANDE AVE OAKLAND, CA 94610-2011	* KAUFMAN, CHARLES E III, President	0
Additional Locations			
N/A			

Occupational License — License Detail

Tue Oct 21, 2014 - 11:39 AM PDT

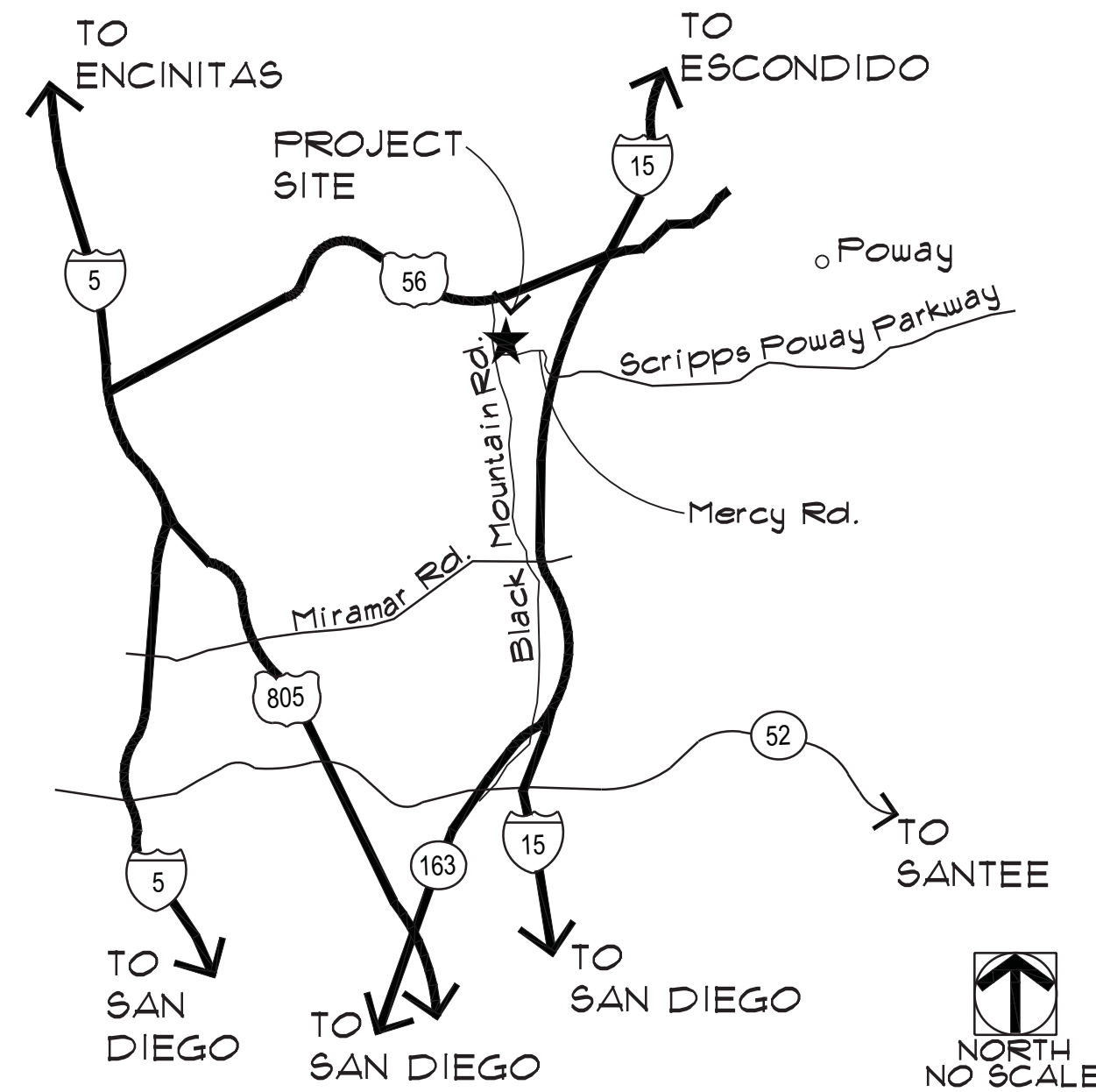
Submit comments related to Housing and Community Development via the [HCD Comments Form](#)
or

Send Website Technical Comments to the [Webmaster](#)

PLANS FOR THE CONSTRUCTION OF Los Penasquitos/Black Mountain Ranger Station

City of San Diego, California

VICINITY MAP:



PROJECT DIRECTORY:

OWNER:
CITY OF SAN DIEGO
PUBLIC WORKS DEPARTMENT
525 "B" STREET, SUITE 150
SAN DIEGO, CA 92101

PROJECT MANAGER: JASON GRANI
PHONE: (619) 525-8234
EMAIL: JGRANI@SANDIEGO.GOV

LANDSCAPE ARCHITECT:
MWP+A LANDSCAPE ARCHITECTURE + URBAN DESIGN
143 SOUTH CEDROS AVENUE
SUITE B-104
SOLANA BEACH, CA 92075

PROJECT MANAGER: HOWARD PIERCE
PHONE: (858) 481-0888 x 25
EMAIL: HPIERCE@MWPPELTZ.COM

CIVIL ENGINEER:
PSOMAS
4455 MURPHY CANYON ROAD, SUITE 200
SAN DIEGO, CA 92123

PROJECT MANAGER: JIM BLISS
PHONE: (858) 576-9200
EMAIL: JBLISS@PSOMAS.COM

SITE ELECTRICAL ENGINEER:
LSW ENGINEERING
5560 RUFFIN ROAD
SUITE 1
SAN DIEGO, CA 92123

PROJECT MANAGER: KEVIN SHEPPARD
PHONE: (858) 260-3224
EMAIL: SHEPK@LSWSD.COM

SHEET INDEX:

DISCIPLINE CODE	SHEET NUMBER	SHEET NAME
G-1.0	1	TITLE SHEET
G-1.1	2	TITLE SHEET NOTES
G-1.2	3	TITLE SHEET NOTES
G-2.0	4	OVERALL SITE PLAN
C-1	5	CIVIL TITLE SHEET
C-2	6	CIVIL NOTES
C-3	7	GRADING AND IMPROVEMENT PLAN
C-4	8	GRADING AND IMPROVEMENT PLAN
C-5	9	EROSION CONTROL PLAN
C-6	10	EROSION CONTROL PLAN
C-7	11	EROSION CONTROL NOTES
L-1.1	12	LANDSCAPE CONSTRUCTION PLAN
L-1.2	13	LANDSCAPE CONSTRUCTION PLAN
L-1.3	14	LANDSCAPE CONSTRUCTION DETAILS
L-1.4	15	LANDSCAPE CONSTRUCTION DETAILS
L-1.5	16	LANDSCAPE CONSTRUCTION DETAILS
L-1.6	17	LANDSCAPE CONSTRUCTION DETAILS
L-2.1	18	LANDSCAPE IRRIGATION PLAN
L-2.2	19	LANDSCAPE IRRIGATION PLAN
L-2.3	20	IRRIGATION LEGEND AND NOTES
L-2.4	21	IRRIGATION NOTES AND CALCULATIONS
L-2.5	22	IRRIGATION DETAILS
L-2.6	23	IRRIGATION DETAILS
L-3.1	24	LANDSCAPE PLANTING PLAN
L-3.2	25	LANDSCAPE PLANTING PLAN
L-3.3	26	LANDSCAPE PLANT MATERIAL LEGEND, NOTES
L-3.4	27	LANDSCAPE PLANTING DETAILS
E-1.0	28	ELECTRICAL SYMBOLS, NOTES & SCHEDULE
E-2.0	29	SITE ELECTRICAL PLAN
E-3.0	30	SITE ELECTRICAL PLAN
E-4.0	31	ELECTRICAL TITLE 24 (EXTERIOR)
REF-1.0	32	RANGER STATION PLANS FOR REFERENCE

DISCIPLINE CODE:

G GENERAL
C CIVIL
L LANDSCAPE
E ELECTRICAL

LEGEND:

IMPROVEMENTS	REFERENCE	SYMBOL
STABILIZED DECOMPOSED GRANITE ACCESS DRIVE	SEE PLANS	[Symbol]
STABILIZED DECOMPOSED GRANITE PATHWAYS	SEE PLANS	[Symbol]
FEELER LOG FENCING	SEE PLANS	[Symbol]
BERM (1 FOOT CONTOURS)	SEE PLANS	[Symbol]
EXISTING VEGETATION TO REMAIN AND BE PROTECTED IN PLACE	SEE PLANS	[Symbol]
CONCRETE PAVING	SEE PLANS	[Symbol]
ACCESSIBLE PARKING STALL	SDM-117	[Symbol]
ACCESSIBLE PARKING "WARNING" SIGN	SDM-117	[Symbol]
LIMIT OF WORK	SEE PLANS	[Symbol]
ADA PATH OF TRAVEL	SEE PLANS	[Symbol]
ACCESS GATE POLE	WM-04 TYPE 'A'	[Symbol]
TRASH RECEPTACLE, (ADDITIVE ALTERNATE 'A')	SEE PLANS	[Symbol]
ACCESSIBLE PARKING SIGN	SDM-117	[Symbol]
"HORSE PARKING ONLY" SIGN	M-45, SDM-117 (SIM)	[Symbol]
LIGHT STANDARD	SEE PLANS	[Symbol]
INTERPRETIVE PANEL (ADDITIVE ALTERNATE 'D')	SEE PLANS	[Symbol]
HITCHING POSTS (ADDITIVE ALTERNATE 'C')	SEE PLANS	[Symbol]
BIKE RACK (ADDITIVE ALTERNATE 'B')	SEE PLANS	[Symbol]
INFORMATION KIOSK (ADDITIVE ALTERNATE 'E')	SEE PLANS	[Symbol]
WOOD WHEEL STOP	SEE PLANS	[Symbol]
CONCRETE WHEEL STOP	SEE PLANS	[Symbol]
"RANGER PARKING ONLY" SIGN	M-45, SDM-117 (SIM)	[Symbol]
ACCESS GATE	SEE PLANS	[Symbol]
DEMOUNTABLE POSTS	M-16	[Symbol]
BOULDERS	SEE PLANS	[Symbol]
LIMITS OF ADD. ALT. 'F'	SEE PLANS	[Symbol]
EDGE OF EXISTING VEGETATION	SEE PLANS	[Symbol]
MHPA BOUNDARY	SEE PLANS	[Symbol]
EDGE OF WETLAND BUFFER	SEE PLANS	[Symbol]
FOR ADDITIONAL SYMBOLS, SEE CIVIL TITLE SHEET, IRRIGATION, PLANTING, AND ELECTRICAL SHEETS		[Symbol]

DECLARATION OF RESPONSIBLE CHARGE:

I HEREBY DECLARE THAT I AM THE LANDSCAPE ARCHITECT OF WORK FOR THIS PROJECT, THAT I HAVE EXERCISED RESPONSIBLE CHARGE OVER THE DESIGN OF THE PROJECT AS DEFINED IN SECTION 6103 OF THE BUSINESS AND PROFESSIONS CODE, AND THAT THE DESIGN IS CONSISTENT WITH CURRENT STANDARDS.

I UNDERSTAND THAT THE CHECK OF PROJECT DRAWINGS AND SPECIFICATIONS BY THE CITY OF SAN DIEGO IS CONFINED TO A REVIEW ONLY AND DOES NOT RELIEVE ME, AS LANDSCAPE ARCHITECT OF WORK, OF MY RESPONSIBILITIES FOR PROJECT DESIGN.

MICHAEL W. PELTZ #2010 DATE

MW PELTZ + ASSOCIATES
143 S. CEDROS AVENUE, SUITE B-104
SOLANA BEACH, CA 92075
PH. 858 481 0888 FX. 858 481 6808

G-1.0



**Plans for the Construction of
Los Penasquitos/Black Mountain
Ranger Station**

TITLE SHEET

CITY OF SAN DIEGO, CALIFORNIA
PUBLIC WORKS DEPARTMENT
SHEET 1 OF 32 SHEETS
WBS B-00619

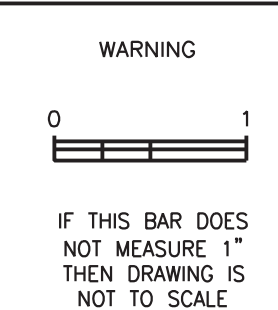
APPROVED: [Signature] 7/22/14 DATE
FOR CITY ENGINEER: ALI DARVISHI PRINT NAME
SUBMITTED BY: JASON GRANI PROJECT MANAGER

DESCRIPTION	BY	APPROVED	DATE	FILMED
ORIGINAL	MWPA			

CONTRACTOR: _____ DATE STARTED: _____
INSPECTOR: _____ DATE COMPLETED: _____
287-1731
CCS27 COORDINATE
6292407-191844
CCS83 COORDINATE
35048-01-D

Drawing name: 06004_T1_0.dwg Date: Jul 16, 2014 4:36pm Drawn by: jspierce

CONSTRUCTION CHANGE / ADDENDUM			
CHANGE	DATE	AFFECTED OR ADDED SHEET NUMBERS	APPROVAL NO.



**CITY OF SAN DIEGO
PUBLIC WORKS PROJECT**

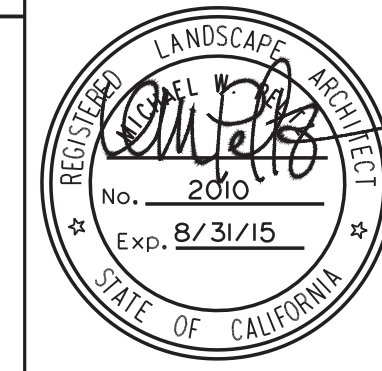


CONSTRUCTION SITE STORM WATER PRIORITY INSPECTION FREQUENCY: HIGH ___ MEDIUM X LOW ___

CONSULTANT

MW PELTZ + ASSOCIATES, INC.
143 S. CEDROS AVENUE, SUITE B-104
SOLANA BEACH, CA 92075
P: 858.481.0888
F: 858.481.6808

[Signature] 7/16/14
MICHAEL W. PELTZ, RLA 2010 DATE



Los Penasquitos/Black Mountain Ranger Station

CONTRACTOR'S RESPONSIBILITIES:

1. PURSUANT TO SECTION 4216 OF THE GOVERNMENT CODE, AT LEAST 2 WORKING DAYS PRIOR TO COMMENCING ANY EXCAVATION, YOU MUST CONTACT THE REGIONAL NOTIFICATION CENTER (E.G. UNDERGROUND SERVICE ALERT OF SOUTHERN CALIFORNIA) AND OBTAIN AN INQUIRY IDENTIFICATION NUMBER.
2. NOTIFY SDG&E AT LEAST 10 WORKING DAYS PRIOR TO EXCAVATING WITHIN 10' OF SDG&E UNDERGROUND HIGH VOLTAGE TRANSMISSION POWER LINES (I.E. 69 KV OR HIGHER)
3. LOCATE AND RECONNECT ALL SEWER LATERALS. LOCATIONS AS SHOWN ON THE PLANS ARE APPROXIMATE ONLY. LATERAL RECORDS ARE AVAILABLE TO THE CONTRACTOR AT THE WATER DEPARTMENT, 2791 CAMINITO CHOLLAS. LOCATE THE IMPROVEMENTS THAT WILL BE AFFECTED BY LATERAL REPLACEMENTS.
4. EXCAVATE AROUND WATER METER BOX (CITY PROPERTYSIDE) TO DETERMINE IN ADVANCE THE SIZE OF EACH SERVICE BEFORE TAPPING MAIN.
5. CITY FORCES, WHERE CALLED OUT WILL MAKE PERMANENT CUTS & PLUGS AND CONNECTIONS.
6. KEEP EXISTING MAINS IN SERVICE IN LIEU OF HIGH-LINING, UNLESS OTHERWISE SPECIFIED SHOWN ON PLANS.
7. THE LOCATIONS OF EXISTING BUILDINGS AS SHOWN ON THE PLAN ARE APPROXIMATE.
8. STORM DRAIN INLETS SHALL REMAIN FUNCTIONAL AT ALL TIMES DURING CONSTRUCTION.
9. UNLESS OTHERWISE NOTED AS PREVIOUSLY POTHOLED (PH), ELEVATIONS SHOWN ON THE PROFILE FOR EXISTING UTILITIES ARE BASED ON A SEARCH OF THE AVAILABLE RECORD INFORMATION ONLY AND ARE SOLELY FOR THE CONTRACTOR'S CONVENIENCE. THE CITY DOES NOT GUARANTEE THAT IT HAS REVIEWED ALL AVAILABLE DATA. THE CONTRACTOR SHALL POT-HOLE ALL EXISTING UTILITIES EITHER SHOWN ON THE PLANS OR MARKED IN THE FIELD IN ACCORDANCE WITH THE SPECIFICATIONS SECTION 5-1.
10. EXISTING UTILITY CROSSING AS SHOWN ON THE PLANS ARE APPROXIMATE AND ARE NOT REPRESENTATIVE OF ACTUAL LENGTH AND LOCATION OF CONFLICT AREAS. SEE PLAN VIEW.

WORK TO BE DONE (BASE BID):

THE SCOPE OF WORK CONTAINS ALL THE MATERIALS, PRODUCTS, LABOR, AND INCIDENTALS FOR THE CONSTRUCTION OF THE LOS PEÑASQUITOS / BLACK MOUNTAIN RANGER STATION. THIS PROJECT INCLUDES THE BASE BID AND SIX ADDITIVE ALTERNATES. THE BASE BID INCLUDES: THE RANGER STATION BUILDING (PLUMBING, ELECTRICAL, AND MECHANICAL) PER THE BID DOCUMENTS AS SPECIFIED BY THE CITY OF SAN DIEGO, CLEARING AND GRUBBING, EARTHWORK, GRADING, DRAINAGE, SURVEYING THE PROPOSED IMPROVEMENTS, DECOMPOSED GRANITE ACCESS DRIVE, PARKING FOR ELEVEN VEHICLES (INCLUDING ONE ADA VAN SPACE IN CONCRETE), DECOMPOSED GRANITE PEDESTRIAN WALK, ACCESS GATES, BOULDERS, MONUMENT SIGN (BOULDER), PEELER LOG FENCING, LANDSCAPING, IRRIGATION, AND PARKING LOT LIGHTING.

ADDITIVE ALTERNATIVES:

ADDITIVE ALTERNATES CONTAIN ALL THE MATERIALS, PRODUCTS, LABOR, AND INCIDENTALS FOR THE ITEMS LISTED BELOW AS ADDITIVE ALTERNATES. THE CITY OF SAN DIEGO HAS THE OPTION OF SELECTING ANY SINGLE OR COMBINATION OF ADDITIVE ALTERNATES DEPENDING ON THE OVER-ALL TOTAL OF THE BASE BID.

ADDITIVE ALTERNATIVES:	SHEETS
ADD ALT 'A' TRASH & RECYCLING RECEPTACLE	T-2.0, L-1.2
ADD ALT 'B' BIKE RACK	T-2.0, L-1.2, L-1.4
ADD ALT 'C' HORSE HITCHING POST	T-2.0, L-1.2, L-1.4
ADD ALT 'D' INTERPRETIVE PANEL	T-2.0, L-1.2, L-1.6
ADD ALT 'E' INFORMATION KIOSK	T-2.0, L-1.2, L-1.5
ADD ALT 'F' SEED MIX & IRRIGATION ON NORTH END OF SITE (COMIT BARK MULCH THIS AREA IF ADD ALT 'F' IS ACCEPTED)	T-2.0, L-2.1, L-3.1
ADD ALT 'G' STEEL EDGING	T-2.0, L-1.3

MHPA ADJACENCY GUIDELINES:

1. PRIOR TO INITIATION OF ANY CONSTRUCTION -RELATED ACTIVITIES WITHIN OR ADJACENT TO THE MHPA, THE CONSTRUCTION FOREMAN SHALL DISCUSS THE SENSITIVE NATURE OF THE ADJACENT HABITAT WITH THE CREW AND SUBCONTRACTOR WHEN APPLICABLE.
2. PRIOR TO COMMENCEMENT OF ANY CONSTRUCTION RELATED ACTIVITIES ADJACENT TO THE MHPA, THE LIMITS OF GRADING SHALL BE CLEARLY DELINEATED BY A SURVEY CREW PRIOR TO BRUSHING, CLEARING, GRADING OR THINNING OF VEGETATION. THE LIMITS OF GRADING SHALL BE DEFINED WITH SILT FENCING AND/OR FLAGGING, AND CHECKED BY THE BIOLOGICAL MONITOR BEFORE INITIATION OF GRADING ACTIVITIES. IF NO CONSTRUCTION ACTIVITIES WOULD BE IN AREAS ADJACENT TO THE MHPA, THEN THIS MEASURE WOULD NOT BE IMPLEMENTED.
3. PRIOR TO THE COMMENCEMENT OF ANY CONSTRUCTION RELATED ACTIVITIES, THE ENVIRONMENTAL DESIGNEE SHALL REVIEW THE GRADING PLANS TO ENSURE THAT NO INVASIVE, NON-NATIVE PLANT SPECIES ARE BEING INTRODUCED INTO AREAS ADJACENT TO THE MHPA.
4. CONSTRUCTION LIGHTING LOCATED IN AREAS ADJACENT TO THE MHPA SHALL BE SHIELDED, UNIDIRECTIONAL, LOW PRESSURE SODIUM ILLUMINATION (OR SIMILAR) AND DIRECTED AWAY FROM PRESERVE AREAS USING APPROPRIATE PLACEMENT AND SHIELDS.
5. NO STAGING/STORAGE AREAS FOR EQUIPMENT AND MATERIALS SHALL BE LOCATED WITHIN OR ADJACENT TO THE MHPA. NO EQUIPMENT MAINTENANCE SHALL BE CONDUCTED WITHIN OR ADJACENT TO THE MHPA.
6. NATURAL DRAINAGE PATTERNS SHALL BE MAINTAINED AS MUCH AS POSSIBLE DURING CONSTRUCTION. EROSION CONTROL TECHNIQUES, INCLUDING THE USE OF SANDBAGS, WEEP-FREE HAY OR STRAW BALES, AND/OR MECHANICAL TRAPPING DEVICES AS SPECIFIED BY THE CITY ENGINEER.
7. NO TRASH, OIL, PARKING OR OTHER CONSTRUCTION RELATED ACTIVITIES SHALL BE ALLOWED OUTSIDE THE ESTABLISHED LIMITS OF GRADING OR PERMITTED CONSTRUCTION ACTIVITIES. ALL CONSTRUCTION RELATED DEBRIS SHALL BE REMOVED OFF-SITE TO AN APPROVED DISPOSAL FACILITY.
8. PRIOR TO THE COMMENCEMENT OF ANY CONSTRUCTION RELATED ACTIVITIES ADJACENT TO THE MHPA, THE ENVIRONMENTAL DESIGNEE SHALL VERIFY THAT THE MHPA BOUNDARIES ARE SHOWN ON THE GRADING PLAN.

WATER FEES:

THE CITY OF SAN DIEGO PROJECT MANAGER AND THE CONSULTANT SHALL COORDINATE THE FOLLOWING: WATER AND SEWER CAPACITY FEES AND THE WET TAP FEES SHALL BE PRE-PAID BY THE CITY FOR CITY CONTRACTS. THE CONTRACTOR SHALL PAY ALL OTHER CONSTRUCTION AND MAINTENANCE WATER METER AND SEWER FEES, AND SHALL COORDINATE WITH THE WATER UTILITIES DEPARTMENT FOR INSTALLATION OF SERVICES. ALLOW THREE (3) MONTHS NOTICE TO THE WATER UTILITIES DEPARTMENT.

PARK CONSTRUCTION INSPECTION STAGES AND INSPECTION TEAM:
(FIELD ENGINEERING DIVISION)

- PARK INSPECTION TEAM**
- A. CONTRACTOR'S SITE SUPERINTENDENT
 - B. CONTRACTOR(S)
 - C. RESIDENT ENGINEER (FIELD ENGINEERING DEPARTMENT)
 - D. CITY PROJECT MANAGER
 - E. DESIGN CONSULTANT
 - F. PARK AND RECREATION DISTRICT MANAGER

PARK CONSTRUCTION INSPECTION STAGES:

1. PRE-CONSTRUCTION MEETING
2. ROUGH GRADING AND DRAINAGE
3. IRRIGATION MAINLINE PRESSURE TEST
4. WIRING PRIOR TO BACKFILLING TRENCHES
5. HARDSCAPE AT TIME OF FINISHED STAKING AND LAYOUT
6. FINISH GRADING AND SOIL PREPARATION
7. IRRIGATION COVERAGE TEST
8. PLANT MATERIAL (WHEN DELIVERED TO THE SITE) & PLACEMENT APPROVAL (PRIOR TO DIGGING PLANT PITS)
9. PROJECT CONSTRUCTION 90% COMPLETE (DEVELOP PUNCH LIST AND SUBMIT RED-LINED AS-BUILTS)
10. 90-DAY PLANT MAINTENANCE PERIOD (THIS INSPECTION TO BE HELD WHEN THE PUNCH LIST ITEMS ARE COMPLETE)
11. FINAL WALK-THROUGH, ACCEPTANCE BY THE CITY
12. (CONTRACTOR TO SUBMIT FINAL APPROVED AS-BUILTS TO THE CITY).

NESTING BIRDS:

1. NESTING BIRD DISCLOSURE - PLEASE NOTE THAT NESTING BIRDS MAY BE PRESENT DURING CONSTRUCTION AND ARE PROTECTED UNDER US AND STATE LAW INCLUDING THE FEDERAL MIGRATORY BIRD TREATY ACT AND, IN PARTICULAR, CA LAW - FISH AND GAME CODE - SECTION 3503.
2. CDFG CODE 3503 STATES: "IT IS UNLAWFUL TO TAKE, POSSESS, OR NEEDLESSLY DESTROY THE NEST OR EGGS OF ANY BIRD, EXCEPT AS OTHERWISE PROVIDED BY THIS CODE OR ANY REGULATION MADE PURSUANT THERETO."

STORM WATER PROTECTION:

1. THIS PROJECT IS SUBJECT TO MUNICIPAL STORM WATER PERMIT ORDER R3-2007-0001 AND WPCP.

WATER POLLUTION CONTROL NOTES:

1. THE CONTRACTOR SHALL, PER SECTION 101-13.9 OF 2012 WHITEBOOK, PREPARE WATER POLLUTION CONTROL SITE MANAGEMENT PLAN (WPCMP). PROTECT ALL NEW AND EXISTING STORM DRAIN INLET STRUCTURES FROM SEDIMENTATION RUNOFF, ROCK WASHING RUNOFF, OR ANY OTHER PROJECT SITE RUNOFF BY PLACING GRAVEL BAGS, FILTER FABRIC, OR OTHER SATISFACTORY METHOD APPROVED BY THE RESIDENT ENGINEER.

UTILITY COMPANIES:

WATER COMPANY:
SAN DIEGO WATER UTILITIES DEPARTMENT
600 B STREET, STE. 1100
SAN DIEGO, CA 92101
1-619-515-3500

GAS & ELECTRIC COMPANY:
SAN DIEGO GAS & ELECTRIC COMPANY
8306 CENTURY PARK COURT
SAN DIEGO, CA 92123
1-800-411-7343

TELEPHONE COMPANY:
PACKET TELECOM SOLUTIONS, INC.
9265 ACTIVITY ROAD, STE. 102
SAN DIEGO, CA 92126
1-858-518-2400

CABLE COMPANY:
TIME WARNER CABLE
230 HARBOR DR.
STAMFORD, CT 06902
1-203-328-0600

DIG ALERT:
1-800-221-2600
CALL AT LEAST 2 DAYS PRIOR TO EXCAVATING

CAUTION:

BEFORE EXCAVATING, VERIFY THE LOCATION OF UNDERGROUND UTILITIES. AT LEAST TWO (2) WORKING DAYS PRIOR TO EXCAVATION, THE CONTRACTOR SHALL REQUEST MARKOUT OF UNDERGROUND UTILITIES BY CALLING THE BELOW LISTED REGIONAL NOTIFICATION CENTER FOR AN INQUIRY NUMBER:

UNDERGROUND SERVICE ALERT
(GAS, ELECTRIC, TELEPHONE, WATER, SEWER, LIGHTING, AND TV): 1-800-422-4133

IRRIGATION SYSTEMS: 619-235-1179

IRRIGATION CONTROL WIRE: 619-533-5184

FACILITIES MAINTENANCE DIVISION: 619-236-5500

CODES AND STANDARDS:

FEDERAL 2010 AMERICANS WITH DISABILITIES ACT (ADA)/ AMERICANS WITH DISABILITIES ACT STANDARDS (ADA STDS):

2013 CALIFORNIA BUILDING CODE (CBC) TITLE 24 DISABLED ACCESS REGULATIONS COMPLIANCE

2012 CITY OF SAN DIEGO STANDARD DRAWINGS FOR PUBLIC WORKS CONSTRUCTION

SURVEY DATA:

FIELD SURVEY	BENCHMARK
PARTY CHIEF: MACY	DESCRIPTION: CHECK POINT
DATE: 10/21/05	LOCATION: POINT 5316 PER
INDEX: 280-1131	FARNSWORTH
WORK ORDER: 200101	ELEVATION: 258.84' MSL

PARCEL EXHIBIT



LOS PEÑASQUITOS/BLACK MOUNTAIN RANGER STATION

HELIX
Environmental Planning

T-1.1



Plans for the Construction of Los Peñasquitos/Black Mountain Ranger Station

TITLE SHEET NOTES

CITY OF SAN DIEGO, CALIFORNIA PUBLIC WORKS DEPARTMENT SHEET 2 OF 32 SHEETS		WBS B-00619
APPROVED: <i>[Signature]</i> FOR CITY ENGINEER ALI DARVISHI PRINT NAME	7/22/14 DATE	SUBMITTED BY: JASON GRANI PROJECT MANAGER
DESCRIPTION	BY	APPROVED
DATE	FILMED	
ORIGINAL	MWPA	
CONTRACTOR	DATE STARTED	
INSPECTOR	DATE COMPLETED	
		35048-02-D

[Signature]
MICHAEL W. PELTZ, RLA 2010
7/16/14
DATE

Drawing name: 05004_T1.1.dwg Date: Jul 16, 2014 4:48pm Drawn by: jgrani

Los Peñasquitos/Black Mountain Ranger Station

AVIAN NOISE BREEDING SEASON NOTES FOR PLANS:
POTENTIAL IMPACTS TO HABITATS
OCCUPIED BY SENSITIVE AVIAN SPECIES

COASTAL CALIFORNIA GNATCATCHER (Federally Threatened)

1. Prior to the issuance of any grading permit (FOR PUBLIC UTILITY PROJECTS: prior to the preconstruction meeting), the City Manager (or appointed designee) shall verify that the Multi-Habitat Planning Area (MHPA) boundaries and the following project requirements regarding the coastal California gnatcatcher are shown on the construction plans:

NO CLEARING, GRUBBING, GRADING, OR OTHER CONSTRUCTION ACTIVITIES SHALL OCCUR BETWEEN MARCH 1 AND AUGUST 15, THE BREEDING SEASON OF THE COASTAL CALIFORNIA GNATCATCHER, UNTIL THE FOLLOWING REQUIREMENTS HAVE BEEN MET TO THE SATISFACTION OF THE CITY MANAGER:

- A. A QUALIFIED BIOLOGIST (POSSESSING A VALID ENDANGERED SPECIES ACT SECTION 10(a)(1)(A) RECOVERY PERMIT) SHALL SURVEY THOSE HABITAT AREAS WITHIN THE MHPA THAT WOULD BE SUBJECT TO CONSTRUCTION NOISE LEVELS EXCEEDING 60 DECIBELS [dB(A)] HOURLY AVERAGE FOR THE PRESENCE OF THE COASTAL CALIFORNIA GNATCATCHER. SURVEYS FOR THE COASTAL CALIFORNIA GNATCATCHER SHALL BE CONDUCTED PURSUANT TO THE PROTOCOL SURVEY GUIDELINES ESTABLISHED BY THE U.S. FISH AND WILDLIFE SERVICE WITHIN THE BREEDING SEASON PRIOR TO THE COMMENCEMENT OF ANY CONSTRUCTION. IF GNATCATCHERS ARE PRESENT, THEN THE FOLLOWING CONDITIONS MUST BE MET:
I. BETWEEN MARCH 1 AND AUGUST 15, NO CLEARING, GRUBBING, OR GRADING OF OCCUPIED GNATCATCHER HABITAT SHALL BE PERMITTED. AREAS RESTRICTED FROM SUCH ACTIVITIES SHALL BE STAKED OR FENCED UNDER THE SUPERVISION OF A QUALIFIED BIOLOGIST; AND
II. BETWEEN MARCH 1 AND AUGUST 15, NO CONSTRUCTION ACTIVITIES SHALL OCCUR WITHIN ANY PORTION OF THE SITE WHERE CONSTRUCTION ACTIVITIES WOULD RESULT IN NOISE

July 15, 2002

LEVELS EXCEEDING 60 dB (A) HOURLY AVERAGE AT THE EDGE OF OCCUPIED GNATCATCHER HABITAT. AN ANALYSIS SHOWING THAT NOISE GENERATED BY CONSTRUCTION ACTIVITIES WOULD NOT EXCEED 60 dB (A) HOURLY AVERAGE AT THE EDGE OF OCCUPIED HABITAT MUST BE COMPLETED BY A QUALIFIED ACOUSTICIAN (POSSESSING CURRENT NOISE ENGINEER LICENSE OR REGISTRATION WITH MONITORING NOISE LEVEL EXPERIENCE WITH LISTED ANIMAL SPECIES) AND APPROVED BY THE CITY MANAGER AT LEAST TWO WEEKS PRIOR TO THE COMMENCEMENT OF CONSTRUCTION ACTIVITIES. PRIOR TO THE COMMENCEMENT OF CONSTRUCTION ACTIVITIES DURING THE BREEDING SEASON, AREAS RESTRICTED FROM SUCH ACTIVITIES SHALL BE STAKED OR FENCED UNDER THE SUPERVISION OF A QUALIFIED BIOLOGIST; OR

III. AT LEAST TWO WEEKS PRIOR TO THE COMMENCEMENT OF CONSTRUCTION ACTIVITIES, UNDER THE DIRECTION OF A QUALIFIED ACOUSTICIAN, NOISE ATTENUATION MEASURES (e.g., BERMS, WALLS) SHALL BE IMPLEMENTED TO ENSURE THAT NOISE LEVELS RESULTING FROM CONSTRUCTION ACTIVITIES WILL NOT EXCEED 60 dB(A) HOURLY AVERAGE AT THE EDGE OF HABITAT OCCUPIED BY THE COASTAL CALIFORNIA GNATCATCHER. CONCURRENT WITH THE COMMENCEMENT OF CONSTRUCTION ACTIVITIES AND THE CONSTRUCTION OF NECESSARY NOISE ATTENUATION FACILITIES, NOISE MONITORING* SHALL BE CONDUCTED AT THE EDGE OF THE OCCUPIED HABITAT AREA TO ENSURE THAT NOISE LEVELS DO NOT EXCEED 60 dB (A) HOURLY AVERAGE. IF THE NOISE ATTENUATION TECHNIQUES IMPLEMENTED ARE DETERMINED TO BE INADEQUATE BY THE QUALIFIED ACOUSTICIAN OR BIOLOGIST, THEN THE ASSOCIATED CONSTRUCTION ACTIVITIES SHALL CEASE UNTIL SUCH TIME THAT ADEQUATE NOISE ATTENUATION IS ACHIEVED OR UNTIL THE END OF THE BREEDING SEASON (AUGUST 16).

* Construction noise monitoring shall continue to be monitored at least twice weekly on varying days, or more frequently depending on the construction activity, to verify that noise levels at the edge of occupied habitat are maintained below 60 dB (A) hourly average or to the ambient noise level if it already exceeds 60 dB (A) hourly average. If not, other measures shall be implemented in consultation with the biologist and the City Manager, as necessary, to reduce noise levels to below 60 dB(A) hourly average or to the

July 15, 2002

ambient noise level if it already exceeds 60 dB(A) hourly average. Such measures may include, but are not limited to, limitations on the placement of construction equipment and the simultaneous use of equipment.

B. IF COASTAL CALIFORNIA GNATCATCHERS ARE NOT DETECTED DURING THE PROTOCOL SURVEY, THE QUALIFIED BIOLOGIST SHALL SUBMIT SUBSTANTIAL EVIDENCE TO THE CITY MANAGER AND APPLICABLE RESOURCE AGENCIES WHICH DEMONSTRATES WHETHER OR NOT MITIGATION MEASURES SUCH AS NOISE WALLS ARE NECESSARY BETWEEN MARCH 1 AND AUGUST 15 AS FOLLOWS:

- I. IF THIS EVIDENCE INDICATES THE POTENTIAL IS HIGH FOR COASTAL CALIFORNIA GNATCATCHER TO BE PRESENT BASED ON HISTORICAL RECORDS OR SITE CONDITIONS, THEN CONDITION A.III SHALL BE ADHERED TO AS SPECIFIED ABOVE.
II. IF THIS EVIDENCE CONCLUDES THAT NO IMPACTS TO THIS SPECIES ARE ANTICIPATED, NO MITIGATION MEASURES WOULD BE NECESSARY.

LEAST BELL'S VIREO (State Endangered/Federally Endangered)

2. Prior to the issuance of any grading permit (FOR PUBLIC UTILITY PROJECTS: prior to the preconstruction meeting), the City Manager (or appointed designee) shall verify that the following project requirements regarding the least Bell's vireo are shown on the construction plans:

NO CLEARING, GRUBBING, GRADING, OR OTHER CONSTRUCTION ACTIVITIES SHALL OCCUR BETWEEN MARCH 15 AND SEPTEMBER 15, THE BREEDING SEASON OF THE LEAST BELL'S VIREO, UNTIL THE FOLLOWING REQUIREMENTS HAVE BEEN MET TO THE SATISFACTION OF THE CITY MANAGER:

A. A QUALIFIED BIOLOGIST (POSSESSING A VALID ENDANGERED SPECIES ACT SECTION 10(a)(1)(A) RECOVERY PERMIT) SHALL SURVEY THOSE WETLAND AREAS THAT WOULD BE SUBJECT TO CONSTRUCTION NOISE LEVELS EXCEEDING 60 DECIBELS [dB(A)] HOURLY AVERAGE FOR THE PRESENCE OF THE LEAST BELL'S VIREO. SURVEYS FOR THIS SPECIES SHALL BE CONDUCTED PURSUANT TO THE PROTOCOL SURVEY GUIDELINES ESTABLISHED BY THE U.S. FISH AND WILDLIFE SERVICE WITHIN THE BREEDING SEASON PRIOR TO THE COMMENCEMENT OF CONSTRUCTION. IF THE LEAST BELL'S

July 15, 2002

VIREO IS PRESENT, THEN THE FOLLOWING CONDITIONS MUST BE MET:

- I. BETWEEN MARCH 15 AND SEPTEMBER 15, NO CLEARING, GRUBBING, OR GRADING OF OCCUPIED LEAST BELL'S VIREO HABITAT SHALL BE PERMITTED. AREAS RESTRICTED FROM SUCH ACTIVITIES SHALL BE STAKED OR FENCED UNDER THE SUPERVISION OF A QUALIFIED BIOLOGIST; AND
II. BETWEEN MARCH 15 AND SEPTEMBER 15, NO CONSTRUCTION ACTIVITIES SHALL OCCUR WITHIN ANY PORTION OF THE SITE WHERE CONSTRUCTION ACTIVITIES WOULD RESULT IN NOISE LEVELS EXCEEDING 60 dB(A) HOURLY AVERAGE AT THE EDGE OF OCCUPIED LEAST BELL'S VIREO OR HABITAT. AN ANALYSIS SHOWING THAT NOISE GENERATED BY CONSTRUCTION ACTIVITIES WOULD NOT EXCEED 60 dB (A) HOURLY AVERAGE AT THE EDGE OF OCCUPIED HABITAT MUST BE COMPLETED BY A QUALIFIED ACOUSTICIAN (POSSESSING CURRENT NOISE ENGINEER LICENSE OR REGISTRATION WITH MONITORING NOISE LEVEL EXPERIENCE WITH LISTED ANIMAL SPECIES) AND APPROVED BY THE CITY MANAGER AT LEAST TWO WEEKS PRIOR TO THE COMMENCEMENT OF CONSTRUCTION ACTIVITIES. PRIOR TO THE COMMENCEMENT OF ANY OF CONSTRUCTION ACTIVITIES DURING THE BREEDING SEASON, AREAS RESTRICTED FROM SUCH ACTIVITIES SHALL BE STAKED OR FENCED UNDER THE SUPERVISION OF A QUALIFIED BIOLOGIST; OR
III. AT LEAST TWO WEEKS PRIOR TO THE COMMENCEMENT OF CONSTRUCTION ACTIVITIES, UNDER THE DIRECTION OF A QUALIFIED ACOUSTICIAN, NOISE ATTENUATION MEASURES (e.g., BERMS, WALLS) SHALL BE IMPLEMENTED TO ENSURE THAT NOISE LEVELS RESULTING FROM CONSTRUCTION ACTIVITIES WILL NOT EXCEED 60 dB(A) HOURLY AVERAGE AT THE EDGE OF HABITAT OCCUPIED BY THE LEAST BELL'S VIREO. CONCURRENT WITH THE COMMENCEMENT OF CONSTRUCTION ACTIVITIES AND THE CONSTRUCTION OF NECESSARY NOISE ATTENUATION FACILITIES, NOISE MONITORING* SHALL BE CONDUCTED AT THE EDGE OF THE OCCUPIED HABITAT AREA TO ENSURE THAT NOISE LEVELS DO NOT EXCEED 60 dB (A) HOURLY AVERAGE. IF THE NOISE ATTENUATION TECHNIQUES IMPLEMENTED ARE DETERMINED

July 15, 2002

TO BE INADEQUATE BY THE QUALIFIED ACOUSTICIAN OR BIOLOGIST, THEN THE ASSOCIATED CONSTRUCTION ACTIVITIES SHALL CEASE UNTIL SUCH TIME THAT ADEQUATE NOISE ATTENUATION IS ACHIEVED OR UNTIL THE END OF THE BREEDING SEASON (SEPTEMBER 16).

* Construction noise monitoring shall continue to be monitored at least twice weekly on varying days, or more frequently depending on the construction activity, to verify that noise levels at the edge of occupied habitat are maintained below 60 dB (A) hourly average or to the ambient noise level if it already exceeds 60 dB (A) hourly average. If not, other measures shall be implemented in consultation with the biologist and the City Manager, as necessary, to reduce noise levels to below 60 dB(A) hourly average or to the ambient noise level if it already exceeds 60 dB(A) hourly average. Such measures may include, but are not limited to, limitations on the placement of construction equipment and the simultaneous use of equipment.

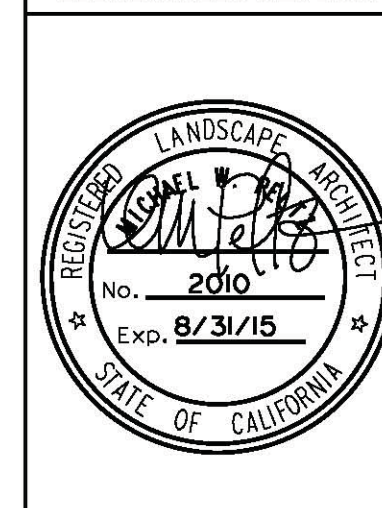
B. IF LEAST BELL'S VIREO ARE NOT DETECTED DURING THE PROTOCOL SURVEY, THE QUALIFIED BIOLOGIST SHALL SUBMIT SUBSTANTIAL EVIDENCE TO THE CITY MANAGER AND APPLICABLE RESOURCE AGENCIES WHICH DEMONSTRATES WHETHER OR NOT MITIGATION MEASURES SUCH AS NOISE WALLS ARE NECESSARY BETWEEN MARCH 15 AND SEPTEMBER 15 AS FOLLOWS:

- I. IF THIS EVIDENCE INDICATES THE POTENTIAL IS HIGH FOR LEAST BELL'S VIREO TO BE PRESENT BASED ON HISTORICAL RECORDS OR SITE CONDITIONS, THEN CONDITION A.III SHALL BE ADHERED TO AS SPECIFIED ABOVE.
II. IF THIS EVIDENCE CONCLUDES THAT NO IMPACTS TO THIS SPECIES ARE ANTICIPATED, NO MITIGATION MEASURES WOULD BE NECESSARY.

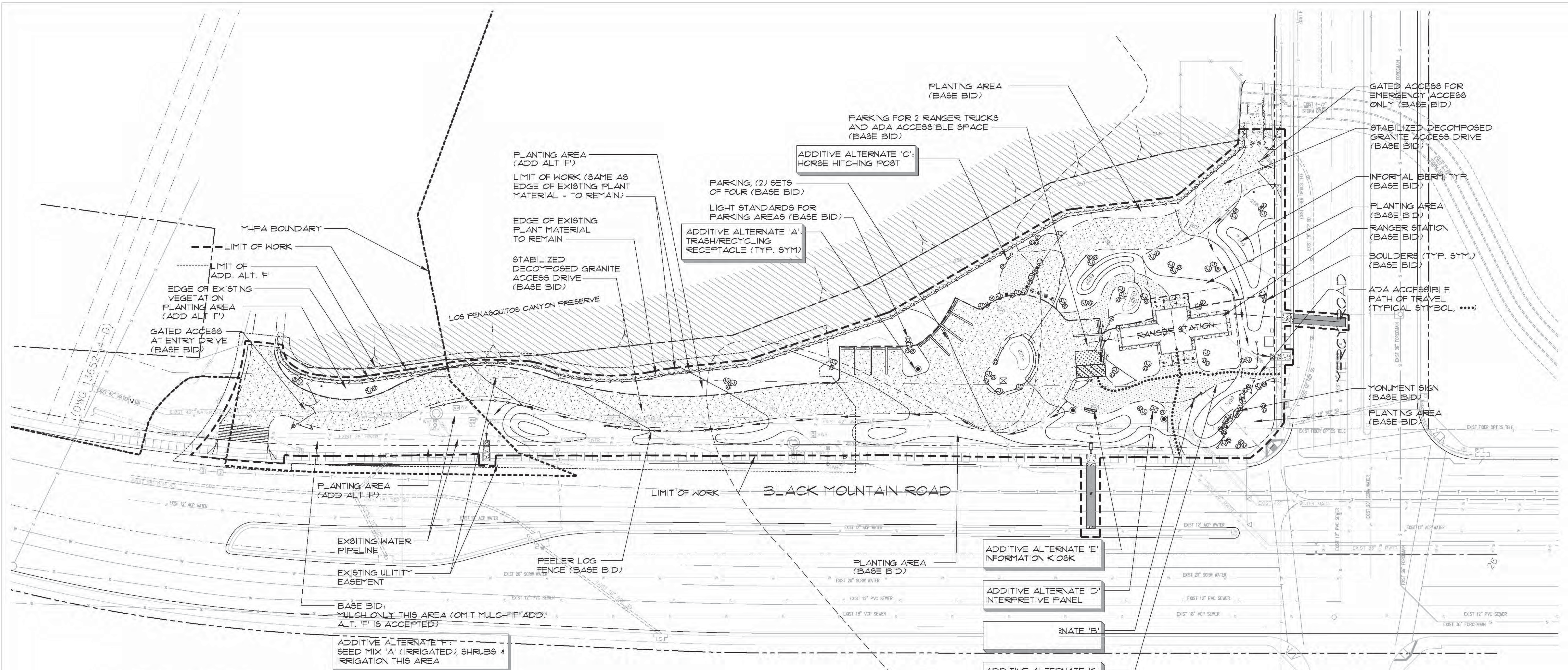
July 15, 2002

T-1.2

Plans for the Construction of Los Penasquitos/Black Mountain Ranger Station
TITLE SHEET NOTES
CITY OF SAN DIEGO, CALIFORNIA
PUBLIC WORKS DEPARTMENT
SHEET 3 OF 32 SHEETS
WBS B-00619
APPROVED: [Signature] 7/22/14
FOR CITY ENGINEER ALI DARVISHI
DATE
PRINT NAME
SUBMITTED BY: JASON GRANI PROJECT MANAGER
ALI DARVISHI SECTION HEAD
287-1731
CCS27 COORDINATE
6292407-1918444
CCS83 COORDINATE
CONTRACTOR DATE STARTED
INSPECTOR DATE COMPLETED
35048-03-D



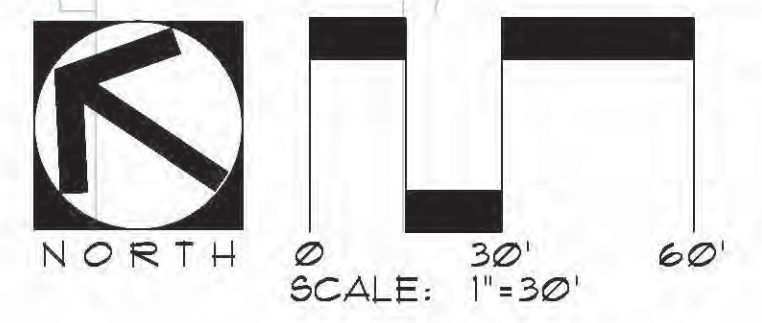
[Signature] 7/16/14
MICHAEL W. PELTZ, RLA 2010 DATE




SHEET LEGEND:

- | | |
|--|--|
| <ul style="list-style-type: none"> STABILIZED DECOMPOSED GRANITE ACCESS DRIVE STABILIZED DECOMPOSED GRANITE PATHWAYS PEELER LOG FENCING BERM (1 FOOT CONTOURS) EXISTING VEGETATION TO REMAIN AND BE PROTECTED IN PLACE CONCRETE PAVING ACCESSIBLE PARKING STALL ACCESSIBLE PARKING "WARNING" SIGN LIMIT OF WORK ADA PATH OF TRAVEL | <ul style="list-style-type: none"> ACCESS GATE POLE TRASH RECEPTACLE, (ADDITIVE ALTERNATE #1) ACCESSIBLE PARKING SIGN "HORSE PARKING ONLY" SIGN LIGHT STANDARD INTERPRETIVE PANEL (ADDITIVE ALTERNATE #4) HITCHING POSTS (ADDITIVE ALTERNATE #3) BIKE RACK (ADDITIVE ALTERNATE #2) INFORMATION KIOSK (ADDITIVE ALTERNATE #5) WOOD WHEEL STOP CONCRETE WHEEL STOP "RANGER PARKING ONLY" SIGN ACCESS GATE DEMOUNTABLE POSTS BOULDERS |
|--|--|

OVERALL SITE PLAN FOR REFERENCE ONLY - SEE PLANS FOR ADDITIONAL INFORMATION AND REQUIREMENTS



G-2.0

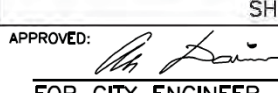


A CALIFORNIA CORPORATION
MW PELTZ + ASSOCIATES
LANDSCAPE ARCHITECTURE
SOLANA BEACH, CALIFORNIA
858.481.0888 / RLA 2010

**Plans for the Construction of
Los Penasquitos/Black Mountain
Ranger Station**

OVERALL SITE PLAN

CITY OF SAN DIEGO, CALIFORNIA
PUBLIC WORKS DEPARTMENT
SHEET 4 OF 32 SHEETS

APPROVED:  7/22/14
FOR CITY ENGINEER ALI DARVISHI DATE

PRINT NAME: ALI DARVISHI
SECTION HEAD

DESCRIPTION	BY	APPROVED	DATE	FILMED
ORIGINAL	MWPA			

CONTRACTOR: _____ DATE STARTED: _____
INSPECTOR: _____ DATE COMPLETED: _____

WBS: B-00619


SUBMITTED BY: JASON GRANI
PROJECT MANAGER

ALI DARVISHI
SECTION HEAD

287-1731
CCS27 COORDINATE

6292407-1918444
CCS83 COORDINATE

35048-04-D



MICHAEL W. PELTZ, RLA 2010 DATE 7/16/14

GENERAL NOTES

- CONTRACTOR SHALL IMPLEMENT AN EROSION AND SEDIMENT CONTROL PROGRAM DURING THE PROJECT GRADING AND/OR CONSTRUCTION ACTIVITIES. THE PROGRAM SHALL MEET ALL APPLICABLE REQUIREMENTS OF THE STATE WATER RESOURCE CONTROL BOARD AND THE CITY OF SAN DIEGO MUNICIPAL CODE AND STORM WATER STANDARDS MANUAL.
- DEVIATIONS FROM THESE SIGNED PLANS WILL NOT BE ALLOWED UNLESS A CONSTRUCTION CHANGE IS APPROVED BY THE CITY ENGINEER OR THE CHANGE IS REQUIRED BY THE CITY INSPECTOR.
- AS-BUILT DRAWINGS MUST BE SUBMITTED TO THE RESIDENT ENGINEER PRIOR TO ACCEPTANCE OF THIS PROJECT BY THE CITY OF SAN DIEGO.
- CONTRACTOR SHALL REMOVE AND REPLACE ALL UTILITY BOXES SERVING AS HANDHOLES THAT ARE NOT IN "AS-NEW" CONDITION IN PROPOSED SIDEWALK, DAMAGED BOXES, OR THOSE THAT ARE NOT IN COMPLIANCE WITH CURRENT CODE SHALL BE REMOVED AND REPLACED WITH NEW BOXES, INCLUDING WATER, SEWER, TRAFFIC SIGNALS, STREET LIGHTS, DRY UTILITIES-SDG&E, COX, ETC. ALL NEW METAL LIDS SHALL BE SLIP RESISTANT (FRICTION FACTOR >= 0.50) AND INSTALLED FLUSH WITH PROPOSED SIDEWALK GRADE. IF A SLIP RESISTANT METAL LID IS NOT COMMERCIALY AVAILABLE FOR THAT USE, NEW BOXES AND LIDS SHALL BE INSTALLED.

GRADING NOTES

- GRADING AS SHOWN ON THESE PLANS SHALL BE IN CONFORMANCE WITH CURRENT STANDARD SPECIFICATIONS AND CHAPTER 14, ARTICLE 2, DIVISION 1, OF THE SAN DIEGO MUNICIPAL CODE, CURRENT EDITION.
- PLANT AND IRRIGATE ALL CUT AND FILL SLOPES AS REQUIRED BY ARTICLE 2, DIVISION 4, SECTION 142.0411 OF THE SAN DIEGO LAND DEVELOPMENT CODE AND ACCORDING TO SECTION IV OR THE LAND DEVELOPMENT MANUAL LANDSCAPE STANDARDS.
- GRADED, DISTURBED, OR ERODED AREAS THAT WILL NOT BE PERMANENTLY PAVED, COVERED BY STRUCTURE, OR PLANTED SHALL BE TEMPORARILY REVEGETATED WITH A NON-IRRIGATED HYDROSEED MIX, GROUND COVER, OR EQUIVALENT MATERIAL.

GROUND WATER DISCHARGE NOTES

- ALL GROUND WATER EXTRACTIONS AND SIMILAR WASTE DISCHARGES TO SURFACE WATERS NOT TRIBUTARY TO THE SAN DIEGO BAY ARE PROHIBITED UNTIL IT CAN BE DEMONSTRATED THAT THE CONTRACTOR HAS APPLIED AND OBTAINED AUTHORIZATION FROM THE STATE OF CALIFORNIA VIA AN OFFICIAL "ENROLLMENT LETTER" FROM THE REGIONAL WATER QUALITY CONTROL BOARD IN ACCORDANCE WITH THE TERMS, PROVISIONS AND CONDITIONS OF STATE ORDER NO 2001-96 NPDES CA6919002.
- THE ESTIMATED MAXIMUM DISCHARGE RATES MUST NOT EXCEED THE LIMITS SET IN THE OFFICIAL "ENROLLMENT LETTER" FROM THE REGIONAL BOARD UNLESS PRIOR NOTIFICATION AND SUBSEQUENT AUTHORIZATION HAS BEEN OBTAINED, AND DISCHARGE OPERATIONS MODIFIED TO ACCOMMODATE THE INCREASED RATES.

OWNER/APPLICANT

CITY OF SAN DIEGO
202 C STREET, MS 54
SAN DIEGO, CA. 92101
PH (619) 525-8234

REFERENCE DRAWINGS

CITY OF SAN DIEGO DRAWINGS:
14875-D, 18065-D, 19694-D, 20626-D, 23256-D, 25354-D, 27307-D, 30382-D AND 30453-D.

SITE ADDRESS

LOS PENASQUITOS/BLACK MOUNTAIN RANGER STATION
12011 BLACK MOUNTAIN ROAD
SAN DIEGO, CA. 92129

TOPOGRAPHY SOURCE

GROUND LEVEL SURVEY BY CITY OF SAN DIEGO, DATED 10-21-2005 (W.O. 200101)

BENCH MARK

POINT 5316 PER FARNSWORTH ELEV. 258.84' MSL (SEE SHEET C-4)
NORTH AMERICAN DATUM OF 1983 (NAD83)

BASIS OF BEARING/COORDINATES

POINTS 5316 TO 8137 PER FARNSWORTH BEARING: N 30°01'17" W.
(SEE SHEET C-4)

SURVEY REFERENCES:

CITY OF SAN DIEGO SURVEY FIELD NOTES:
BURRIS, 280-1728, 6/23/83, W.O. 110012
FARNSWORTH, 258-1710, 10/20/93, W.O. 171981
BROOKS, 280-1728, 8/23/95, W.O. 020084,
HORSEMAN'S PARK LEASEHOLD
DEED RECORDED 2/19/80, F/P 80-055289
DRAWING 23205-1-D & 4-D,

PM 12296, 14491, MAP 12086, ROS 6204

TOTAL DISTURBED AREA

TOTAL SITE DISTURBED AREA IN ACRES IS REQUIRED FOR STORM WATER PURPOSES
DISTURBED AREA = 1.73 ACRES

GRADING QUANTITIES

GRADED AREA 1.73 ACRES MAX. CUT DEPTH 2 FT
REMEDIAL GRADING (2" REMOVE/REPLACE AS COMPACTED FILL): 5,600 CY
CUT/SPOIL QUANTITIES 450 CY MAX. CUT SLOPE RATIO (2:1MAX) 2:1
FILL QUANTITIES 1,470 CY MAX. FILL DEPTH 3 FT
IMPORT 1,020 CY MAX. FILL SLOPE RATIO (2:1MAX) 2:1

THIS PROJECT PROPOSES TO IMPORT 1,020 CUBIC YARDS OF MATERIAL TO THIS SITE. ALL EXPORT MATERIAL SHALL BE DISCHARGED TO A LEGAL DISPOSAL SITE. THE APPROVAL OF THIS PROJECT DOES NOT ALLOW PROCESSING AND SALE OF THE MATERIAL. ALL SUCH ACTIVITIES REQUIRE A SEPARATE CONDITIONAL USE PERMIT.

ASSESSORS PARCEL NUMBERS:

A.P.N. 315-030-04

WORK TO BE DONE

THE IMPROVEMENTS CONSIST OF THE FOLLOWING WORK TO BE DONE ACCORDING TO THESE PLANS AND THE SPECIFICATIONS AND STANDARD DRAWINGS OF THE CITY OF SAN DIEGO.

LEGEND

ITEM	STD. DWG.	SYMBOL
PROJECT BOUNDARY		---
LIMITS OF WORK		---
MHPA BOUNDARY		---
PROPOSED CONTOUR		410 455.10
PROPOSED SPOT ELEVATION		455.10
DIRECTION OF SURFACE FLOW		→
2" WATER SERVICE	SDW-135,SDW-149,SDW-155	W
PRIVATE 1 1/2" COPPER WATER LATERAL	SDW-148	W
SEWER CLEANOUT (PVT)	SC-01, TYPE B	CO
PRIVATE 4" PVC SEWER LATERAL	SDS-105, SDS-110, TYPE A	S
CURB OUTLET, TYPE A	SDD-25	□
TRENCH RESURFACING TYPE A	SDG-107	□
SECTION/DETAIL		⊕-DETAIL NUMBER -SHEET NO.
CONCRETE DRIVEWAY (2:1 TRANSITIONS ONLY)	SDW-159	□
DG PATHWAY PER LANDSCAPE PLANS		□
CONCRETE PAVING PER LANDSCAPE PLANS		□
CONCRETE SURFACING PER LANDSCAPE PLANS		□
DG ACCESS DRIVE PER LANDSCAPE PLANS		□
BOULDER PER LANDSCAPE PLANS		⊙
FENCE PER LANDSCAPE PLANS		—○—
GATE PER LANDSCAPE PLANS		—○—
HORIZONTAL CONTROL POINT		⊙

EXISTING IMPROVEMENTS

ITEM	STD. DWG.	SYMBOL
PROJECT BOUNDARY		---
EXIST CONTOUR		410 424.5 424.0
EXIST SPOT ELEVATION		424.5
EXIST CURB AND GUTTER/EDGE OF PAVEMENT		---
EXIST SIDEWALK		---
EXIST DRIVEWAY		---
EXIST WATER LINE		W
EXIST SEWER LINE		S
EXIST STORM DRAIN		SD
EXIST STORM DRAIN INLET		SDI
EXIST ELECTRICAL		E
EXIST GAS		G
EXIST TELEPHONE		T
EXIST STREET LIGHT		SL
EXIST TREE PER LANDSCAPE PLANS		○
EXIST FENCE		—○—
EXIST POWER POLE		⊕
EXIST WATER METER		□

C-1

Los Penasquitos/Black Mountain Ranger Station

DECLARATION OF RESPONSIBLE CHARGE

I HEREBY DECLARE THAT I AM THE ENGINEER OF WORK FOR THIS PROJECT. THAT I HAVE EXERCISED RESPONSIBLE CHARGE OVER THE DESIGN OF THE PROJECT AS DEFINED IN SECTION 6703 OF THE BUSINESS AND PROFESSIONS CODE, AND THAT THE DESIGN IS CONSISTENT WITH CURRENT STANDARDS.

I UNDERSTAND THAT THE CHECK OF PROJECT DRAWINGS AND SPECIFICATIONS BY THE CITY OF SAN DIEGO IS CONFINED TO A REVIEW ONLY AND DOES NOT RELIEVE ME, AS ENGINEER OF WORK, OF MY RESPONSIBILITIES FOR PROJECT DESIGN.

COMPANY NAME: PSOMAS
COMPANY ADDRESS: 3111 Camino Del Rio North, Suite 702
San Diego, CA 92108
COMPANY PHONE: (619) 961-2800
COMPANY FAX: (619) 961-2392
COMPANY EMAIL: www.psomas.com

James S. Bliss
JAMES S. BLISS R.C.E. C41795 DATE 07-16-2014

PSOMAS

3111 Camino Del Rio North, Suite 702
San Diego, CA 92108
(619) 961-2800 (619) 961-2392 fax
www.psomas.com



IMPORTANT NOTICE
Section 4216 of the Government Code requires that a Dig Alert Identification Number be issued before a "Permit to Excavate" will be valid. For your Dig Alert I.D. Number Call Underground Service Alert
TOLL FREE 1-800-422-4133
Two working days before you dig

**Plans for the Construction of
Los Penasquitos/Black Mountain
Ranger Station**

CIVIL TITLE SHEET

CITY OF SAN DIEGO, CALIFORNIA PUBLIC WORKS DEPARTMENT SHEET 5 OF 32 SHEETS		WBS B-00619
APPROVED: <i>Ali Darvishi</i> FOR CITY ENGINEER ALI DARVISHI DATE 7/22/14	SUBMITTED BY: JASON GRANI PROJECT MANAGER	
DESCRIPTION	BY	APPROVED
ORIGINAL	PSOMAS	
		DATE
		FILMED
AS BUILT		287-1731 CCS27 COORDINATE
		6292407-1918444 CCS83 COORDINATE
CONTRACTOR	DATE STARTED	35048-5-D
INSPECTOR	DATE COMPLETED	

SEWER NOTE

ALL PROPOSED PUBLIC SEWER FACILITY INSTALLATIONS SHALL BE CONSTRUCTED WITH MATERIALS CURRENTLY LISTED IN THE MOST CURRENT EDITION OF THE CITY OF SAN DIEGO WATER AND MUNICIPAL SEWER APPROVED MATERIALS LIST AS REFERENCED IN THE STANDARD SPECIFICATIONS FOR PUBLIC WORKS CONSTRUCTION.

WATER NOTES

ALL PROPOSED WATER FACILITY INSTALLATIONS SHALL BE CONSTRUCTED WITH MATERIALS CURRENTLY LISTED IN THE MOST CURRENT EDITION OF THE CITY OF SAN DIEGO WATER UTILITIES DEPARTMENT APPROVED MATERIALS LIST AS REFERENCED IN THE STANDARD SPECIFICATIONS FOR PUBLIC WORKS CONSTRUCTION. RECENT REVISIONS INCLUDE BUT IS NOT LIMITED TO THE REQUIREMENT FOR POLYMER CONCRETE WATER METER BOXES INSTEAD OF THE STANDARD PRECAST WATER METER BOXES.

SPECIAL NOTES

THE FOLLOWING NOTES ARE PROVIDED TO GIVE DIRECTIONS TO THE CONTRACTOR BY THE ENGINEER OF WORK. THE CITY ENGINEER'S SIGNATURE ON THESE PLANS DOES NOT CONSTITUTE APPROVAL OF ANY OF THESE NOTES AND THE CITY WILL NOT BE HELD RESPONSIBLE FOR THEIR ENFORCEMENT.

- NEITHER THE RESIDENT ENGINEER, NOR THE ENGINEER OF WORK WILL ENFORCE SAFETY MEASURES OR REGULATIONS. THE CONTRACTOR SHALL DESIGN, CONSTRUCT, AND MAINTAIN ALL SAFETY DEVICES, INCLUDING SHORING, AND SHALL BE SOLELY RESPONSIBLE FOR CONFORMING TO ALL LOCAL, STATE AND FEDERAL SAFETY AND HEALTH STANDARDS, LAWS, AND REGULATIONS.
- CONTRACTOR AGREES THAT HE SHALL ASSUME SOLE AND COMPLETE RESPONSIBILITY FOR JOB SITE CONDITIONS DURING THE COURSE OF CONSTRUCTION OF THIS PROJECT, INCLUDING: SAFETY OF ALL PERSONS AND PROPERTY, AND THIS REQUIREMENT SHALL APPLY CONTINUOUSLY AND NOT BE LIMITED TO NORMAL WORKING HOURS; AND THAT THE CONTRACTOR SHALL DEFEND, INDEMNIFY, AND HOLD THE RESIDENT ENGINEER AND ENGINEER OF WORK HARMLESS FROM ANY AND ALL LIABILITY, REAL OR ALLEGED, IN CONNECTION WITH THE PERFORMANCE OF WORK ON THIS PROJECT EXCEPTING LIABILITY ARISING FROM THE SOLE NEGLIGENCE OF THE RESIDENT ENGINEER OR ENGINEER OF WORK OR THE ENGINEER OF WORK.
- THE CONTRACTOR SHALL BE RESPONSIBLE TO INSURE THAT ALL SLOPES, STREETS, UTILITIES, AND STORM DRAINS ARE BUILT IN ACCORDANCE WITH THESE PLANS. IF THERE IS ANY QUESTION REGARDING THESE PLANS OR FIELD STAKES, THE CONTRACTOR SHALL REQUEST AN INTERPRETATION BEFORE DOING ANY WORK BY CALLING RESIDENT ENGINEER AT (619)961-2800. THE CONTRACTOR SHALL ALSO TAKE THE NECESSARY STEPS TO PROTECT THE PROJECT AND ADJACENT PROPERTY FROM ANY EROSION AND SILTATION THAT RESULT FROM HIS OPERATIONS BY APPROPRIATE MEANS (SAND BAGS, HAY BALES, TEMPORARY DESILTING BASINS, DIKES, SHORING, ETC.) UNTIL SUCH TIME THAT THE PROJECT IS COMPLETED AND ACCEPTED FOR MAINTENANCE BY WHATEVER OWNER, AGENCY, OR ASSOCIATION IS TO BE ULTIMATELY RESPONSIBLE FOR MAINTENANCE.
- ALL UTILITY SERVICES WITHIN THIS DEVELOPMENT ARE UNDERGROUND INSTALLATIONS. THE CONTRACTOR SHALL NOTIFY THE SAN DIEGO GAS & ELECTRIC COMPANY AND PACIFIC BELL PRIOR TO STARTING WORK NEAR THEIR FACILITIES, AND SHALL COORDINATE HIS WORK WITH COMPANY REPRESENTATIVES. FOR UTILITY MARK-OUT SERVICE, CALL 1-800-422-4133.
- THE EXISTENCE AND LOCATION OF UNDERGROUND UTILITIES OR STRUCTURES SHOWN ON THESE PLANS WERE OBTAINED FROM A SEARCH OF THE AVAILABLE RECORDS. TO THE BEST OF OUR KNOWLEDGE THERE ARE NO OTHER EXISTING UTILITIES EXCEPT AS SHOWN ON THESE PLANS. THE CONTRACTOR IS REQUIRED TO TAKE PRECAUTIONARY MEASURES TO PROTECT THE UTILITY LINES SHOWN HEREON AND ANY OTHERS NOT OF RECORD OR NOT SHOWN ON THESE PLANS. ALL DAMAGES THERE TO CAUSED BY THE CONTRACTOR SHALL BE REPAIRED TO THE APPROPRIATE SPECIFICATIONS AND STANDARDS AT THE EXPENSE OF THE CONTRACTOR.
- LOCATION AND ELEVATION OF EXISTING IMPROVEMENTS TO BE MET BY WORK TO BE DONE SHALL BE CONFIRMED BY FIELD MEASUREMENTS PRIOR TO CONSTRUCTION OF NEW WORK. SHOULD CONFLICTS EXIST - NOTIFY RESIDENT ENGINEER AT LEAST 5 WORKING DAYS PRIOR TO START OF CONSTRUCTION.
- WHERE TRENCHES ARE WITHIN 10 FEET OF FUTURE BUILDING SITES, SOILS REPORTS SHALL BE SUBMITTED TO THE RESIDENT ENGINEER BY A QUALIFIED SOILS ENGINEER WHICH INDICATE THAT TRENCH BACKFILL WAS COMPACTED UNDER THE OBSERVATION OF THE SOILS ENGINEER IN ACCORDANCE WITH THE ON-SITE EARTHWORK SPECIFICATIONS.
- THE CONTRACTOR SHALL NOTIFY THE CITY FIELD ENGINEERING DIVISION AT (858) 627-3200 AT LEAST 24 HOURS IN ADVANCE OF ANY WORK TO ARRANGE FOR INSPECTION.
- ALL WORK NEEDING MATERIALS TESTING, SUCH AS BUT NOT LIMITED TO: PAVEMENT SUBGRADE, PAVEMENT BASE, ASPHALT CONCRETE, AND PORTLAND CEMENT CONCRETE, REQUIRES THAT THE CONTRACTOR NOTIFY THE CITY MATERIALS LAB AT (858) 627-3279 BY NOON OF THE DAY BEFORE THE WORK TO ARRANGE FOR TESTING.
- ANY WORK DONE WITHOUT INSPECTION OR MATERIALS TESTING IS SUBJECT TO REMOVAL OR CORRECTION.
- CONTRACTOR SHALL BE RESPONSIBLE FOR REMOVAL OF ANY DAMAGE TO THE EXISTING IMPROVEMENTS AND REPLACEMENT TO THE SATISFACTION OF THE CITY ENGINEER.
- ANY CONTRACTOR STAMPS OR STREET NAME IMPRESSION LOCATED ON EXISTING SIDEWALKS OR CURBS ARE CONSIDERED TO BE HISTORIC AND MUST BE PRESERVED PER STANDARD DRAWING SDG-115.

ABBREVIATIONS


ALL ABBREVIATION ARE PER SECTION 1-3 OF THE GREEN BOOK WITH THE ADDITIONS INDICATED BELOW:

BFD	BACK FLOW DEVICE
BMP	BEST MANAGEMENT PRACTICES
C/L	CENTER LINE
CO	CLEAN OUT
DG	DESINTEGRATED GRANITE
D/W	DRIVEWAY
E	ELECTRICAL
EXIST	EXISTING
FF	FINISHED FLOOR
FL	FLOW LINE
FS	FINISHED SURFACE
HP	HIGH POINT
IE	INVERT ELEVATION
MH	MANHOLE
MHPA	MULTIPLE HABITAT PLANNING AREA
MSL	MEAN SEA LEVEL
PL	PROPERTY LINE
RPPD	REDUCED PRESSURE BACKFLOW DEVICE
RWTR	RECLAIMED WATER
S	SEWER
SD	STORM DRAIN
SDSD	CITY OF SAN DIEGO STANDARD DRAWING
SMH	SEWER MAN HOLE
S/W	SIDEWALK
ST	STREET
SWPPP	STORM WATER POLLUTION PREVENTION PLAN
TC	TOP OF CURB
TELE	TELEPHONE
TP	TOP OF PIPE
U/G	UNDERGROUND
W	WATER

C-2

**Plans for the Construction of
Los Penasquitos/Black Mountain
Ranger Station**

CIVIL NOTES

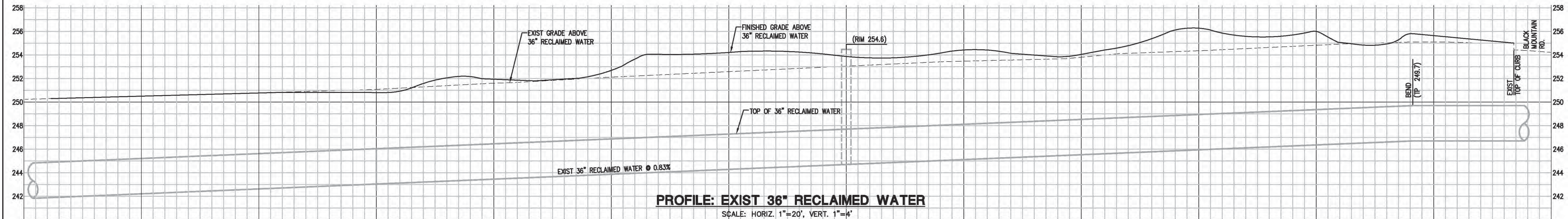
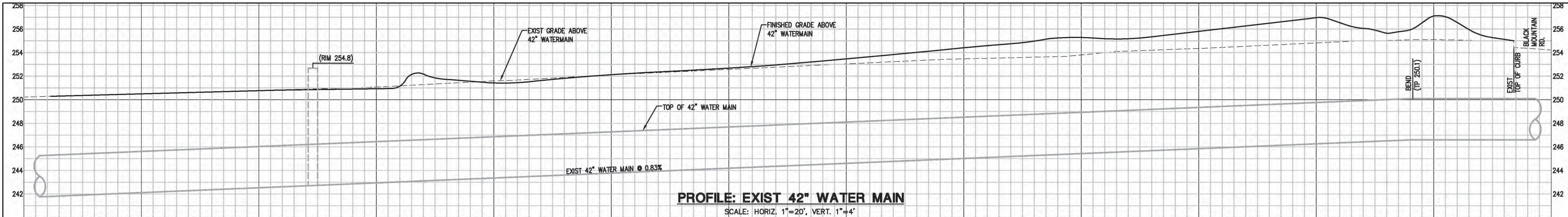
CITY OF SAN DIEGO, CALIFORNIA PUBLIC WORKS DEPARTMENT		WBS B-00619
SHEET 6 OF 32 SHEETS		
APPROVED:  FOR CITY ENGINEER ALI DARVISHI DATE: 7/22/14	SUBMITTED BY: JASON GRANI PROJECT MANAGER	
DESCRIPTION	BY	APPROVED
ORIGINAL	PSOMAS	
		DATE
		FILMED
		287-1731 CCS27 COORDINATE
		6292407-1918444 CCS83 COORDINATE
AS BUILT		35048- 6 -D
CONTRACTOR		DATE STARTED
INSPECTOR		DATE COMPLETED

James S. Bliss
JAMES S. BLISS R.C.E. C41795 DATE 07-16-2014

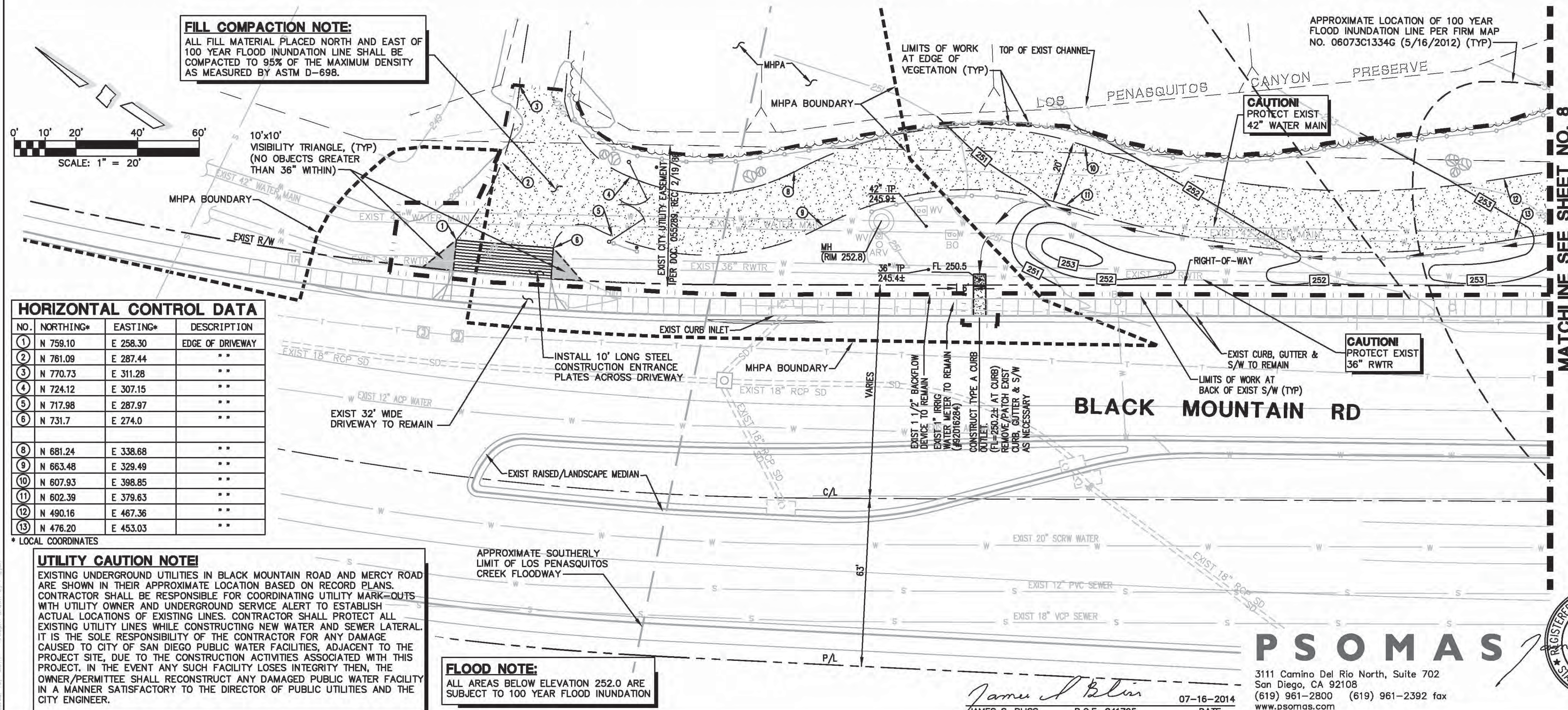
PSOMAS
3111 Camino Del Rio North, Suite 702
San Diego, CA 92108
(619) 961-2800 (619) 961-2392 fax
www.psomas.com



Los Penasquitos/Black Mountain Ranger Station



FILL COMPACTION NOTE:
ALL FILL MATERIAL PLACED NORTH AND EAST OF 100 YEAR FLOOD INUNDATION LINE SHALL BE COMPACTED TO 95% OF THE MAXIMUM DENSITY AS MEASURED BY ASTM D-698.



HORIZONTAL CONTROL DATA

NO.	NORTHING*	EASTING*	DESCRIPTION
1	N 759.10	E 258.30	EDGE OF DRIVEWAY
2	N 761.09	E 287.44	**
3	N 770.75	E 311.28	**
4	N 724.12	E 307.15	**
5	N 717.98	E 287.97	**
6	N 731.7	E 274.0	**
8	N 681.24	E 338.68	**
9	N 663.48	E 329.49	**
10	N 607.93	E 398.85	**
11	N 602.39	E 379.63	**
12	N 490.16	E 467.36	**
13	N 476.20	E 453.03	**

* LOCAL COORDINATES

UTILITY CAUTION NOTE
EXISTING UNDERGROUND UTILITIES IN BLACK MOUNTAIN ROAD AND MERCY ROAD ARE SHOWN IN THEIR APPROXIMATE LOCATION BASED ON RECORD PLANS. CONTRACTOR SHALL BE RESPONSIBLE FOR COORDINATING UTILITY MARK-OUTS WITH UTILITY OWNER AND UNDERGROUND SERVICE ALERT TO ESTABLISH ACTUAL LOCATIONS OF EXISTING LINES. CONTRACTOR SHALL PROTECT ALL EXISTING UTILITY LINES WHILE CONSTRUCTING NEW WATER AND SEWER LATERAL. IT IS THE SOLE RESPONSIBILITY OF THE CONTRACTOR FOR ANY DAMAGE CAUSED TO CITY OF SAN DIEGO PUBLIC WATER FACILITIES, ADJACENT TO THE PROJECT SITE, DUE TO THE CONSTRUCTION ACTIVITIES ASSOCIATED WITH THIS PROJECT. IN THE EVENT ANY SUCH FACILITY LOSES INTEGRITY THEN, THE OWNER/PERMITTEE SHALL RECONSTRUCT ANY DAMAGED PUBLIC WATER FACILITY IN A MANNER SATISFACTORY TO THE DIRECTOR OF PUBLIC UTILITIES AND THE CITY ENGINEER.

FLOOD NOTE:
ALL AREAS BELOW ELEVATION 252.0 ARE SUBJECT TO 100 YEAR FLOOD INUNDATION

James S. Bliss
JAMES S. BLISS R.C.E. C41795 DATE 07-16-2014

PSOMAS
3111 Camino Del Rio North, Suite 702
San Diego, CA 92108
(619) 961-2800 (619) 961-2392 fax
www.psomas.com



Plans for the Construction of Los Penasquitos/Black Mountain Ranger Station
GRADING & IMPROVEMENT PLAN

CITY OF SAN DIEGO, CALIFORNIA
PUBLIC WORKS DEPARTMENT
SHEET 7 OF 32 SHEETS

WBS B-00619

APPROVED: 7/22/14
FOR CITY ENGINEER: ALI DARVISHI
DATE: 7/22/14

SUBMITTED BY: JASON GRANI
PROJECT MANAGER

DESCRIPTION	BY	APPROVED	DATE	FILMED
ORIGINAL	PSOMAS			

287-1731
CCS27 COORDINATE
6292407-1918444
CCS53 COORDINATE

CONTRACTOR: PSOMAS DATE STARTED: DATE COMPLETED: 35048-7-D

Los Penasquitos/Black Mountain Ranger Station

C-3

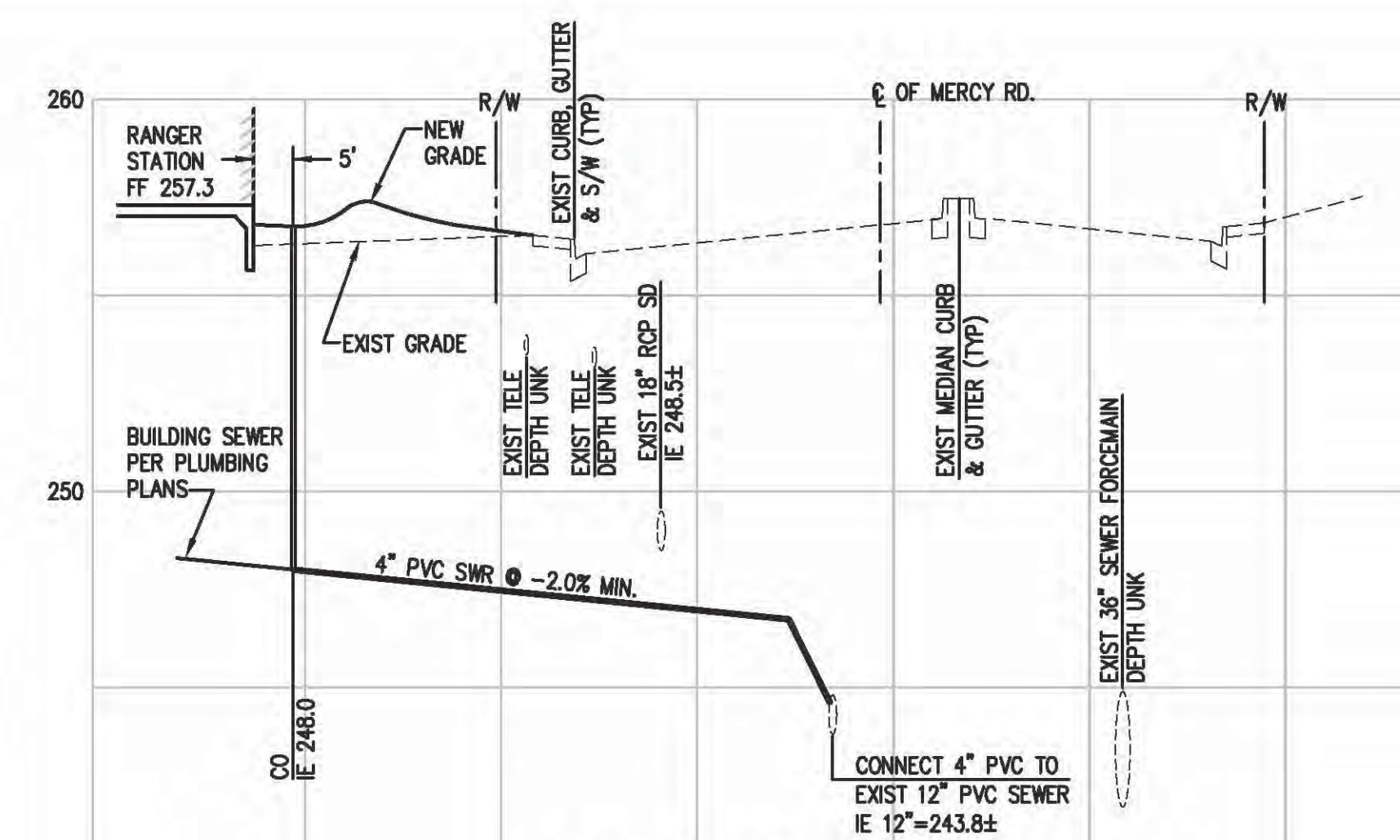
HORIZONTAL CONTROL DATA

NO.	NORTHING	EASTING	DESCRIPTION
22	N 381.43	E 618.23	EDGE OF DRIVEWAY
23	N 381.67	E 619.95	**
24	N 383.88	E 651.14	**
25	N 365.23	E 685.39	**
26	N 341.58	E 701.39	**
27	N 327.73	E 723.80	**
28	N 320.75	E 750.32	**
29	N 317.22	E 762.78	**
30	N 318.65	E 773.36	**
31	N 332.29	E 794.86	**
32	N 296.82	E 756.80	**
33	N 299.48	E 751.89	**
34	N 308.02	E 720.42	**
35	N 329.43	E 685.50	**
36	N 354.78	E 668.34	**
37	N 373.67	E 650.93	**
38	N 362.08	E 625.03	**
39	N 361.65	E 622.36	**
40	N 358.31	E 618.41	**
41	N 356.36	E 617.98	**
42	E 617.82	N 348.07	**
43	N 333.44	E 629.28	**
44	N 324.09	E 589.59	**
45	N 325.00	E 585.61	**

HORIZONTAL CONTROL DATA

NO.	NORTHING	EASTING	DESCRIPTION
46	N 333.62	E 544.13	EDGE OF DRIVEWAY
47	N 360.34	E 527.98	**
48	N 365.33	E 527.30	**
49	N 386.95	E 520.29	**
50	N 397.41	E 512.58	**
51	N 442.82	E 480.71	**
52	N 374.13	E 561.19	**
53	N 374.46	E 575.28	**
54	N 374.60	E 587.91	**
55	N 362.58	E 594.79	**
56	N 349.21	E 582.53	**
57	N 352.90	E 558.46	**
58	N 363.38	E 551.78	**
59	N 264.01	E 679.94	SEWER CLEANOUT
60	N 329.49	E 613.65	WATER ANG. POINT

APPROXIMATE LOCATION OF 100 YEAR FLOOD INUNDATION LINE PER FIRM MAP NO.06073C1334G (5/16/2012) (TYP)



SEWER PROFILE
SCALE: HORZ. 1"=20', VERT. 1"=4'

HORIZONTAL CONTROL DATA

NO.	NORTHING*	EASTING*	DESCRIPTION
1	N 306.92	E 653.25	BUILDING CORNER
2	N 273.28	E 646.02	**
3	N 313.87	E 657.91	CONCRETE PAD
4	N 296.12	E 674.07	**
5	N 284.16	E 625.29	**
6	N 266.41	E 641.45	**
7	N 334.58	E 602.98	**
8	N 309.42	E 601.09	**
9	N 450.46	E 499.71	EDGE OF DRIVEWAY
10	N 450.41	E 506.50	**
11	N 460.53	E 521.33	**
12	N 427.50	E 543.89	**
13	N 419.10	E 531.59	**
14	N 412.27	E 530.63	**
15	N 405.82	E 538.78	**
16	N 408.44	E 545.16	**
17	N 420.14	E 549.89	**
18	N 416.91	E 588.40	**
19	N 401.59	E 590.59	**
20	N 398.06	E 593.43	**
21	N 383.64	E 613.35	**

* LOCAL COORDINATES

POINT 5316 BENCH MARK
N 1921946.7600 = LOCAL COORD N 94.64
E 6292620.9600 = LOCAL COORD E 690.54

POINT 8137
N 1921499.9100
E 6292879.2300

FILL COMPACTION NOTE:
ALL FILL MATERIAL PLACED NORTH AND EAST OF 100 YEAR FLOOD INUNDATION LINE SHALL BE COMPACTED TO 95% OF THE MAXIMUM DENSITY AS MEASURED BY ASTM D-698.

CAUTION!
PROTECT EXIST 36" RWTR

CAUTION!
PROTECT EXIST 42" WATER MAIN

CAUTION!
PROTECT EXIST 42" WATER MAIN

UTILITY CAUTION NOTE!
EXISTING UNDERGROUND UTILITIES IN BLACK MOUNTAIN ROAD AND MERCY ROAD ARE SHOWN IN THEIR APPROXIMATE LOCATION BASED ON RECORD PLANS. CONTRACTOR SHALL BE RESPONSIBLE FOR COORDINATING UTILITY MARK-OUTS WITH UTILITY OWNER AND UNDERGROUND SERVICE ALERT TO ESTABLISH ACTUAL LOCATIONS OF EXISTING LINES. CONTRACTOR SHALL PROTECT ALL EXISTING UTILITY LINES WHILE CONSTRUCTING NEW WATER AND SEWER LATERAL. IT IS THE SOLE RESPONSIBILITY OF THE CONTRACTOR FOR ANY DAMAGE CAUSED TO CITY OF SAN DIEGO PUBLIC WATER FACILITIES, ADJACENT TO THE PROJECT SITE, DUE TO THE CONSTRUCTION ACTIVITIES ASSOCIATED WITH THIS PROJECT. IN THE EVENT ANY SUCH FACILITY LOSTS INTEGRITY THEN, THE OWNER/PERMITEE SHALL RECONSTRUCT ANY DAMAGED PUBLIC WATER FACILITY IN A MANNER SATISFACTORY TO THE DIRECTOR OF PUBLIC UTILITIES AND THE CITY ENGINEER.

MATCHLINE SEE SHEET NO. 7

C-4

Plans for the Construction of Los Penasquitos/Black Mountain Ranger Station

GRADING & IMPROVEMENT PLAN

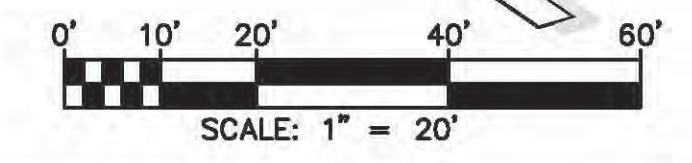
CITY OF SAN DIEGO, CALIFORNIA PUBLIC WORKS DEPARTMENT SHEET 8 OF 32 SHEETS		WBS B-00619
APPROVED:	DATE: 7/22/14	SUBMITTED BY: JASON GRANI PROJECT MANAGER
FOR CITY ENGINEER: ALLI DARVISHI		
DESCRIPTION	BY	APPROVED
ORIGINAL	PSOMAS	DATE
		FILMED
AS BUILT		287-1731 CCS27 COORDINATE
CONTRACTOR	DATE STARTED	6292407-1918444 CCS83 COORDINATE
INSPECTOR	DATE COMPLETED	35048-8-D

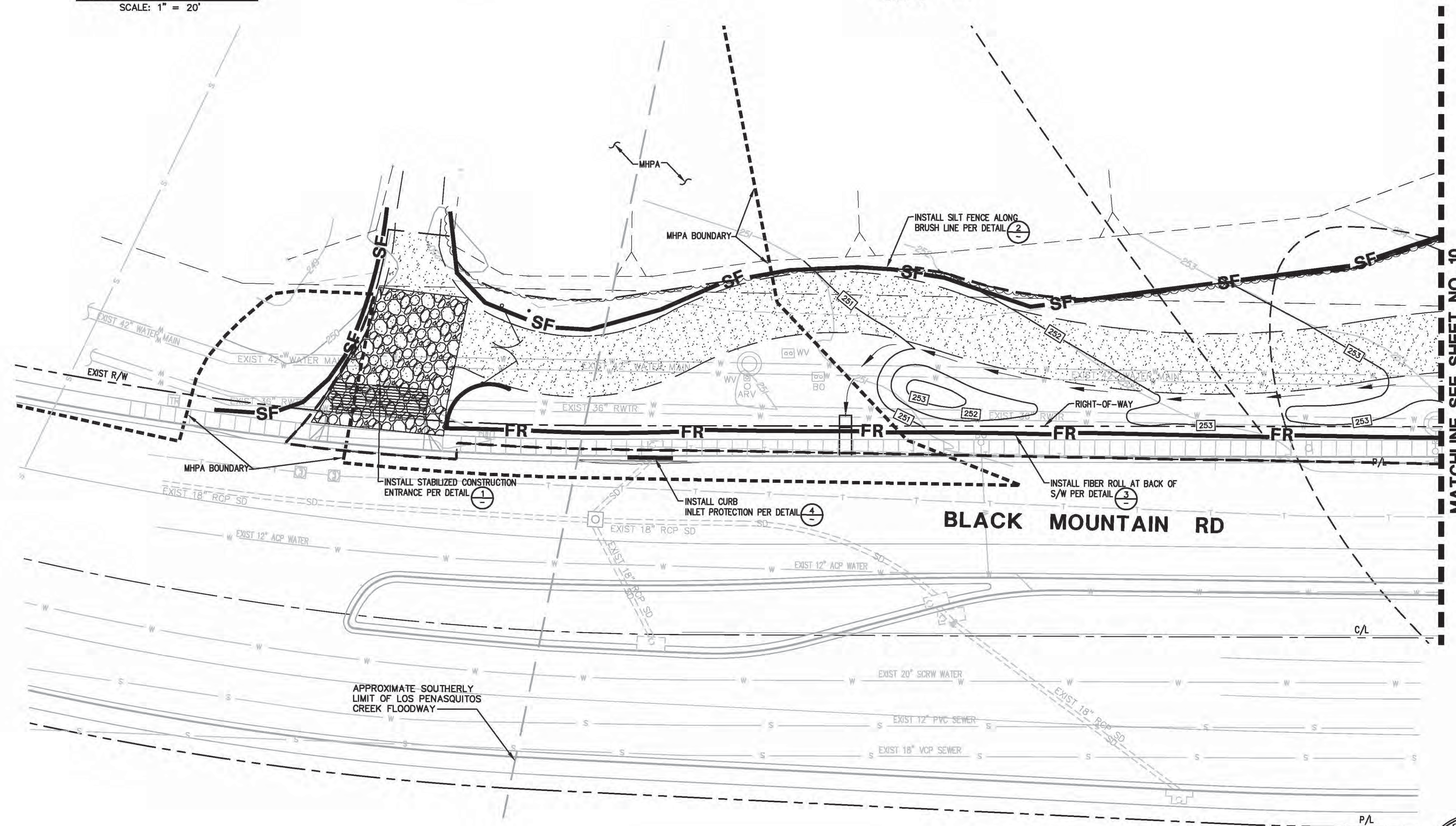
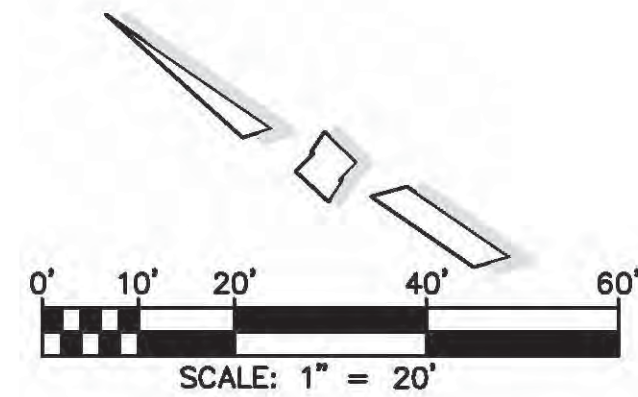
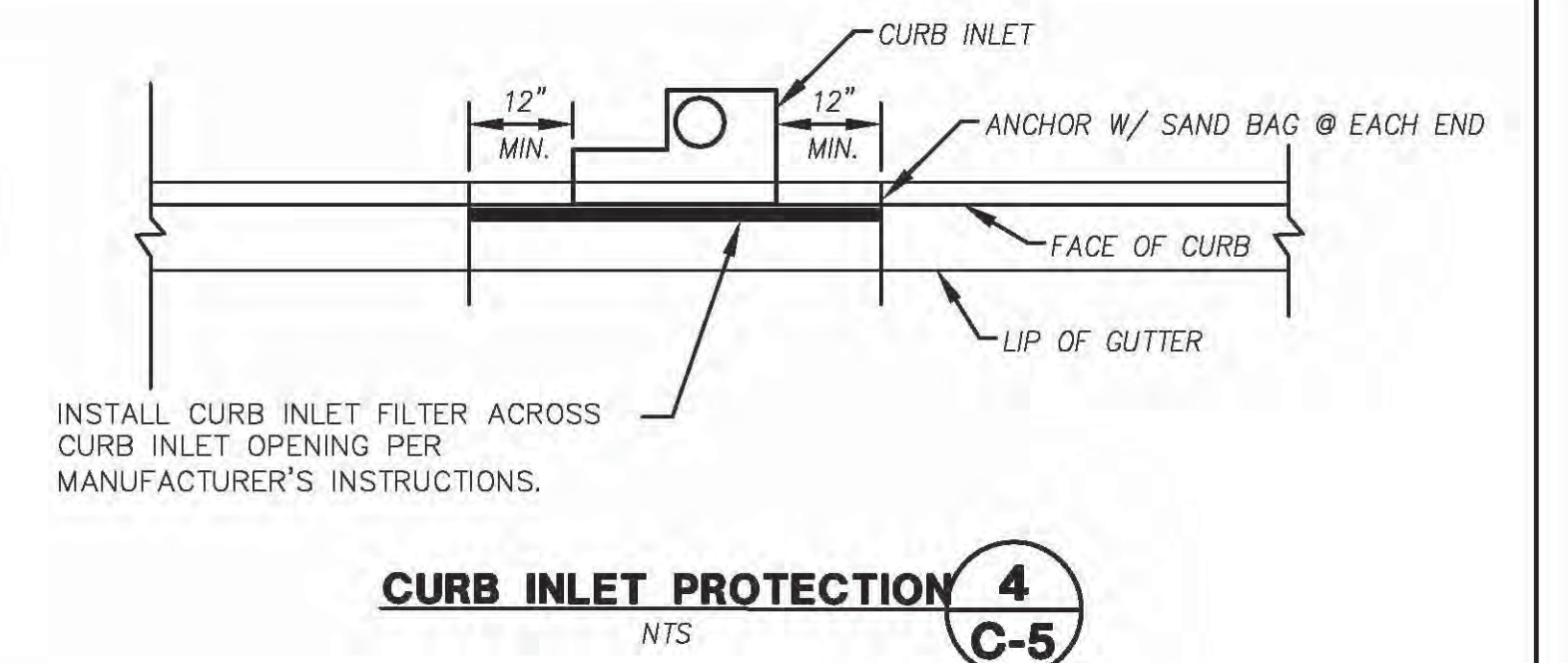
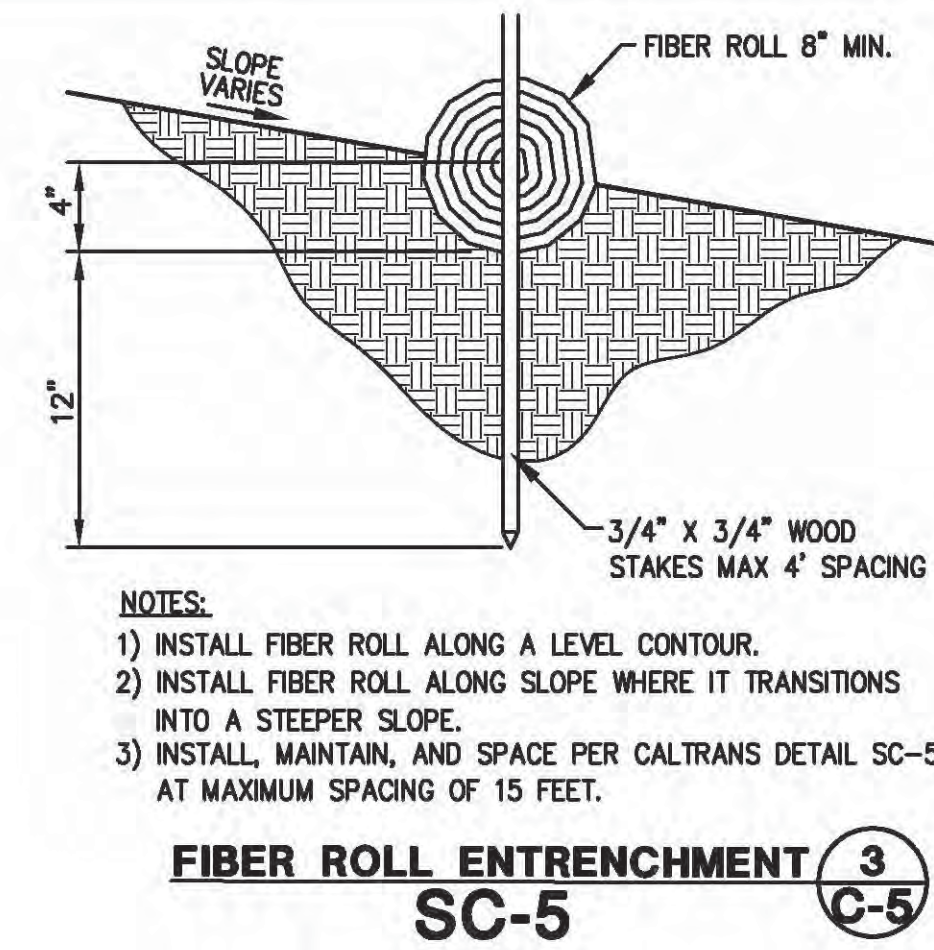
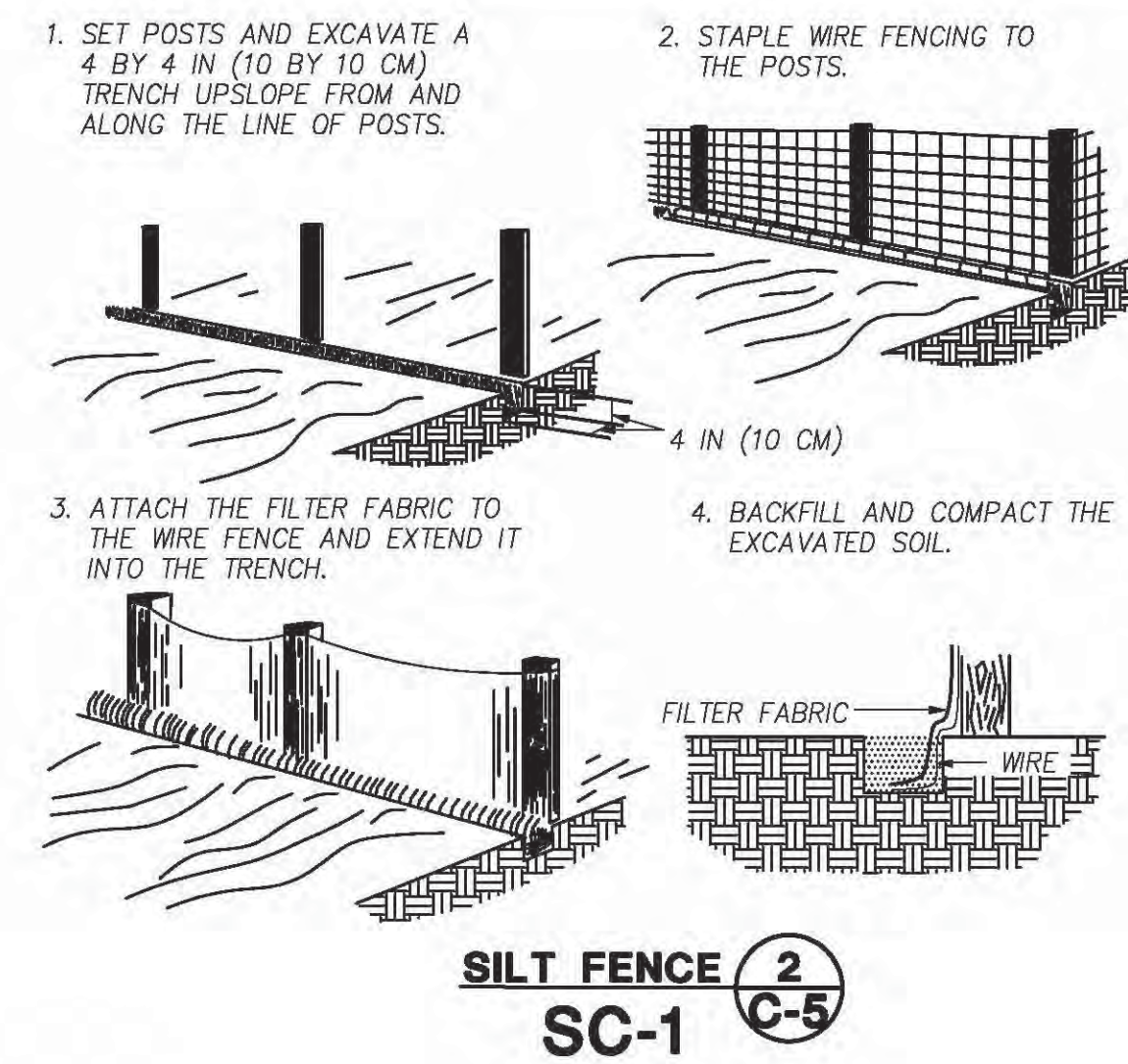
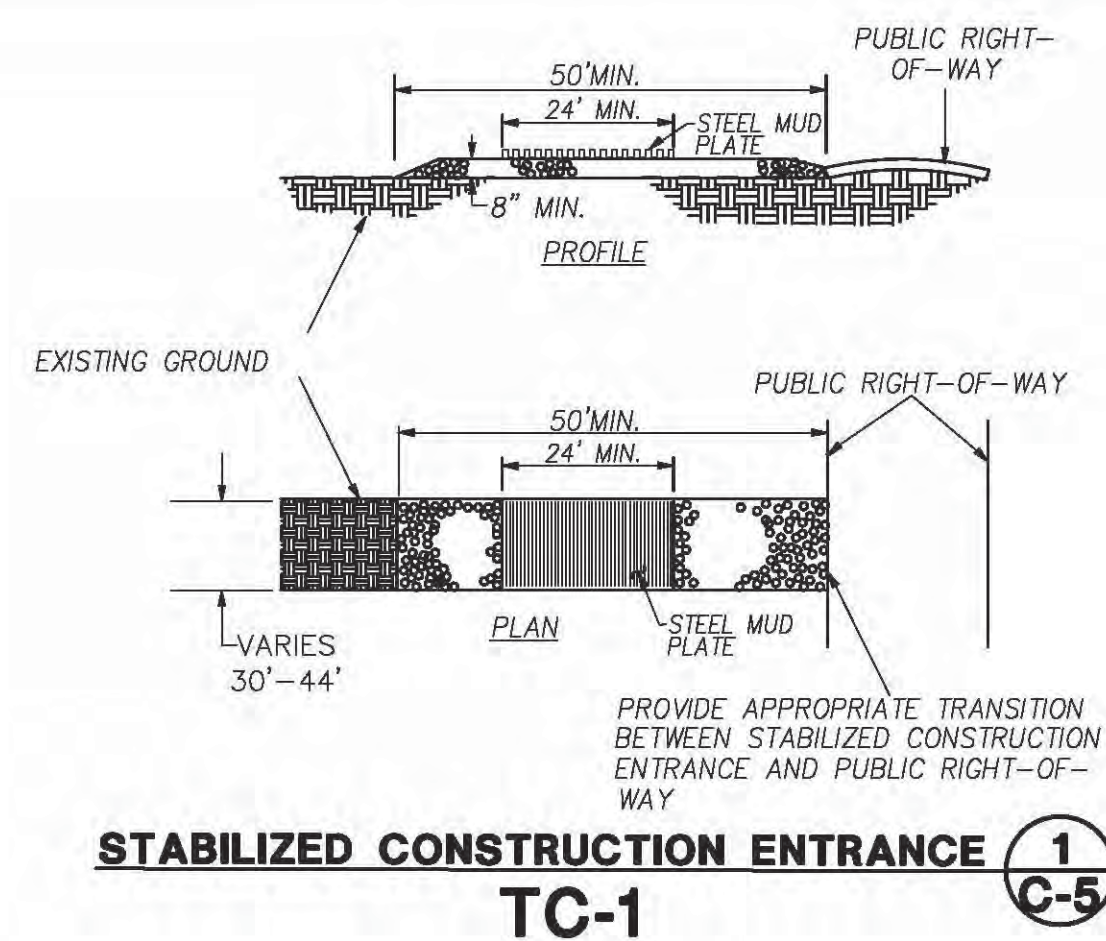
PSOMAS

3111 Camino Del Rio North, Suite 702
San Diego, CA 92108
(619) 961-2800 (619) 961-2392 fax
www.psomas.com



James S. Bliss
R.C.E. C41795
DATE 07-16-2014





EROSION CONTROL LEGEND:

- FIBER ROLL
- SILT FENCE
- INLET PROTECTION
- STABILIZED CONSTRUCTION ENTRANCE

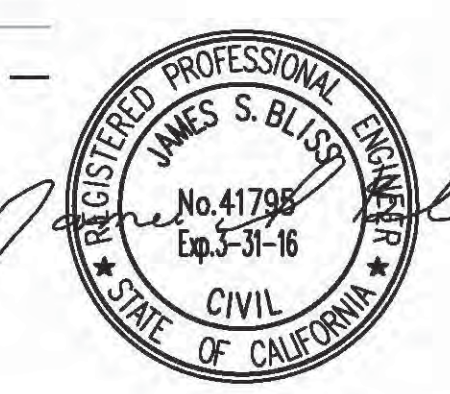
C-5

Plans for the Construction of Los Penasquitos/Black Mountain Ranger Station		EROSION CONTROL PLAN	
CITY OF SAN DIEGO, CALIFORNIA PUBLIC WORKS DEPARTMENT SHEET 9 OF 32 SHEETS		WBS B-00619	
APPROVED:	DATE: 7/22/14	SUBMITTED BY:	
FOR CITY ENGINEER ALI DARVISHI		JASON GRANI PROJECT MANAGER	
DESCRIPTION	BY	APPROVED	DATE
ORIGINAL	PSOMAS		
		ALI DARVISHI SECTION HEAD	
		287-1731 CCS27 COORDINATE	
		6292407-1918444 CCS83 COORDINATE	
AS BUILT			
CONTRACTOR	DATE STARTED	35048-9-D	
INSPECTOR	DATE COMPLETED		

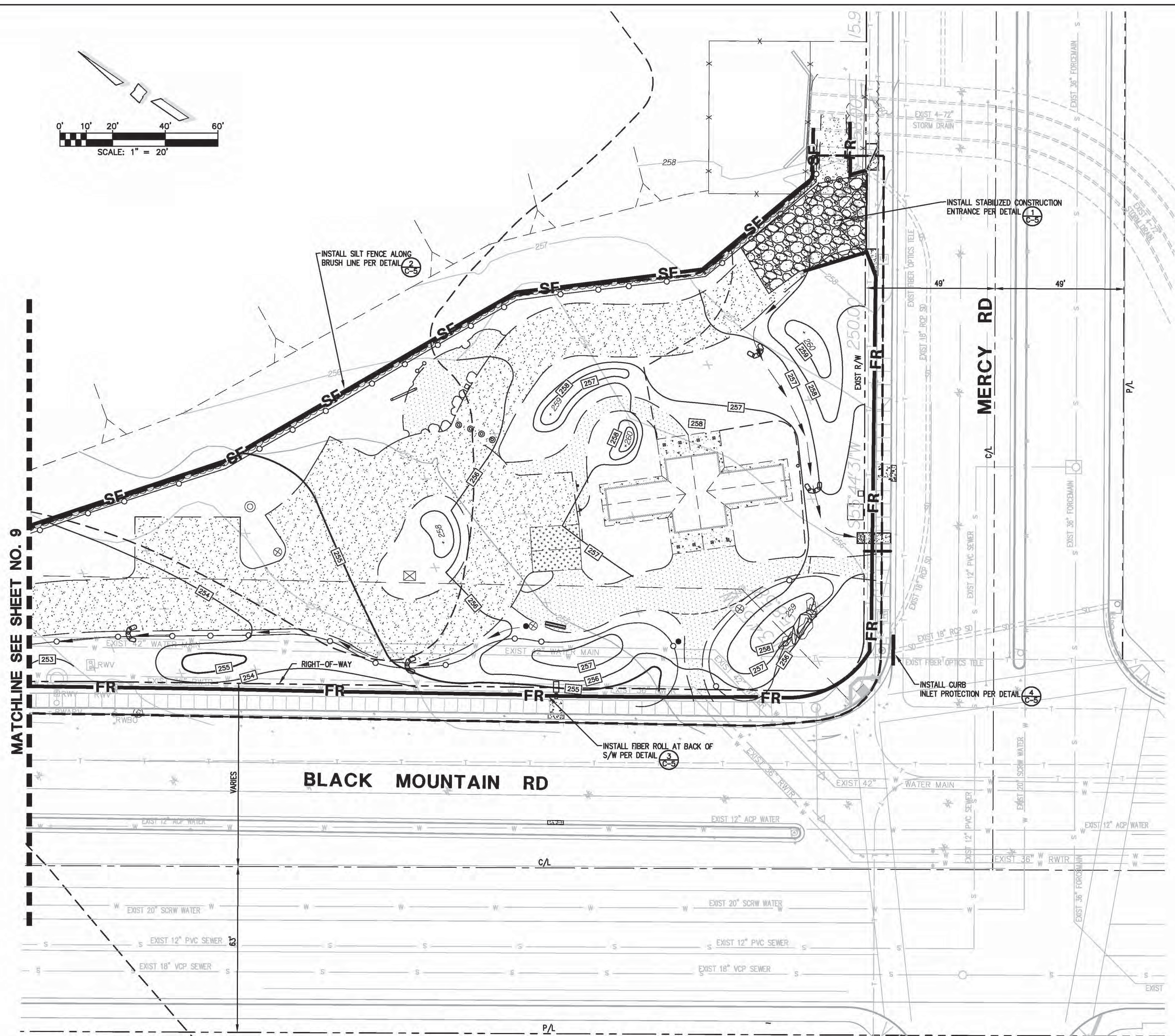
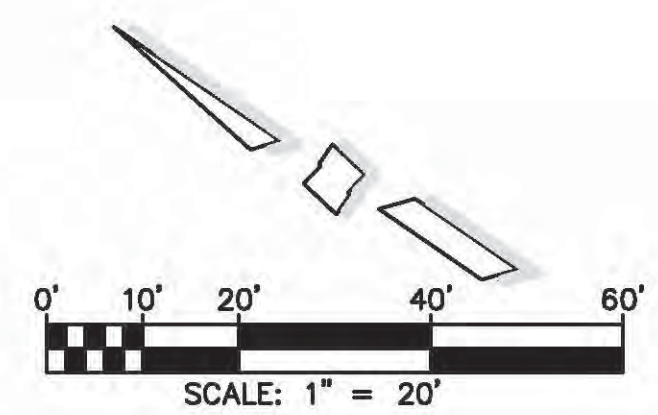
NOTE:
THIS PLAN INCLUDED FOR REFERENCE ONLY.
SEE SWPPP.

James S. Bliss
JAMES S. BLISS R.C.E. C41795 DATE 07-16-2014

PSOMAS
3111 Camino Del Rio North, Suite 702
San Diego, CA 92108
(619) 961-2800 (619) 961-2392 fax
www.psomas.com



Los Penasquitos/Black Mountain Ranger Station



MATCHLINE SEE SHEET NO. 9

NOTE:
THIS PLAN INCLUDED FOR REFERENCE ONLY.
SEE SWPPP.

EROSION CONTROL LEGEND:

- FIBER ROLL
- SILT FENCE
- INLET PROTECTION
- STABILIZED CONSTRUCTION ENTRANCE

C-6

**Plans for the Construction of
Los Penasquitos/Black Mountain
Ranger Station**

EROSION CONTROL PLAN

CITY OF SAN DIEGO, CALIFORNIA PUBLIC WORKS DEPARTMENT SHEET 10 OF 32 SHEETS		WBS B-00619
APPROVED FOR CITY ENGINEER <i>ALI DARVISHI</i> DATE 7/22/14	DATE 7/22/14	SUBMITTED BY: JASON GRANI PROJECT MANAGER
DESCRIPTION	BY	APPROVED
ORIGINAL	PSOMAS	DATE
		FILMED
CONTRACTOR		DATE STARTED
INSPECTOR		DATE COMPLETED
		35048-10-D

PSOMAS



James S. Bliss
JAMES S. BLISS R.C.E. C41795 DATE 07-16-2014

3111 Camino Del Rio North, Suite 702
San Diego, CA 92108
(619) 961-2800 (619) 961-2392 fax
www.psomas.com

Los Penasquitos/Black Mountain Ranger Station

EROSION CONTROL NOTES

1. IN CASE EMERGENCY WORK IS REQUIRED, CONTACT THE CITY OF SAN DIEGO. PROJECT CONTACT: MICHELLE ABELLA-SHON AT 619-525-8234.
2. EQUIPMENT AND WORKERS FOR EMERGENCY WORK SHALL BE MADE AVAILABLE AT ALL TIMES DURING THE RAINY SEASON. ALL NECESSARY MATERIALS SHALL BE STOCKPILED ON SITE AT CONVENIENT LOCATIONS TO FACILITATE RAPID CONSTRUCTION OF TEMPORARY DEVICES WHEN RAIN IS EMINENT.
3. DEVICES SHOWN ON PLANS SHALL NOT BE MOVED OR MODIFIED WITHOUT THE APPROVAL OF THE RESIDENT ENGINEER.
4. THE CONTRACTOR SHALL RESTORE ALL EROSION CONTROL DEVICES TO WORKING ORDER TO THE SATISFACTION OF THE RESIDENT ENGINEER AFTER EACH RUN-OFF PRODUCING RAINFALL.
5. THE CONTRACTOR SHALL INSTALL ADDITIONAL EROSION CONTROL MEASURES AS MAY BE REQUIRED BY THE RESIDENT ENGINEER DUE TO UNCOMPLETED GRADING OPERATIONS OR UNFORESEEN CIRCUMSTANCES WHICH MAY ARISE.
6. THE CONTRACTOR SHALL BE RESPONSIBLE AND SHALL TAKE NECESSARY PRECAUTIONS TO PREVENT PUBLIC TRESPASS ONTO AREAS WHERE IMPOUNDED WATERS CREATE A HAZARDOUS CONDITION.
7. ALL EROSION CONTROL MEASURES PROVIDED PER THE APPROVED GRADING PLAN SHALL BE INCORPORATED HEREON.
8. GRADED AREAS AROUND THE PROJECT PERIMETER MUST DRAIN AWAY FROM THE FACE OF SLOPE AT THE CONCLUSION OF EACH WORKING DAY.
9. ALL REMOVABLE PROTECTIVE DEVICES SHOWN SHALL BE IN PLACE AT THE END OF EACH WORKING DAY WHEN THE FIVE (5) DAY RAIN PROBABILITY FORECAST EXCEEDS FORTY PERCENT (40%). SILT AND OTHER DEBRIS SHALL BE REMOVED AFTER EACH RAINFALL.
10. ALL GRAVEL BAGS SHALL BE BURLAP TYPE WITH 3/4 INCH MINIMUM AGGREGATE.

WATER QUALITY NOTES

- 1) POLLUTION PREVENTION MEASURES TO REDUCE OR ELIMINATE POLLUTION FROM THE SITE RUN-OFF TO THE MAXIMUM EXTENT PRACTICAL (MEP) FOR BOTH SOURCE CONTROL AND TREATMENT BMP'S ARE PROPOSED AND ARE NOTED OR SHOWN ON THE PLAN.
- 2) SITE DESIGN AND LANDSCAPE FEATURES WILL BE INCORPORATED AS SHOWN TO MAXIMIZE INFILTRATION, PROVIDE DETENTION AND SLOW RUNOFF TO COMPENSATE FOR THE INCREASED IMPERVIOUSNESS OF THE PROPOSED CONSTRUCTION.
- 3) PROPOSED TREATMENT BMP'S DESIGNED TO TREAT RUNOFF RESULTING FROM THE FIRST 0.2 IN/HR OF THE 100-YEAR STORM EVENT IN ACCORDANCE WITH RWQCB RESOLUTION 2001-01.
- 4) SOURCE CONTROL BMP'S SHALL INCLUDE ENCLOSURES OR COVERS FOR ALL MATERIAL STORAGE AND WASTE CONTAINMENT AREAS.

EROSION AND SEDIMENT CONTROL BMP NOTES

- 1) REFER TO THIS PROJECT EROSION CONTROL PLAN FOR BEST MANAGEMENT PRACTICES (BMP) FOR GUIDANCE. THE CONTRACTOR SHALL VERIFY THAT THE BMP'S SHOWN ARE SUITABLE FOR HIS WORK PLAN AND MODIFY THE PROJECT EROSION CONTROL PLAN TO SUIT EACH WORK ACTIVITY AS PROVIDED BY THE STATE WATER RESOURCES CONTROL BOARD (SWRCB) ORDER NO. 99-08
IN CASE OF EMERGENCY, CONTRACTOR IS REQUIRED TO IMMEDIATELY RESPOND AND CONSTRUCT EROSION CONTROL DEVICES ACCORDING TO PROJECT SPECIFICATIONS AND THE FOLLOWING NOTES:
- 2) REFER TO CASQA STORM WATER QUALITY HANDBOOKS FOR BMP DETAILS (AVAILABLE AT WWW.CABMPHANDBOOKS.COM)
- 3) DURING THE RAINY SEASON THE AMOUNT OF EXPOSED SOIL ALLOWED AT ANY ONE TIME SHALL NOT EXCEED THAT WHICH CAN BE ADEQUATELY PROTECTED BY THE CONTRACTOR IN THE EVENT OF A RAINSTORM. A WEATHER-TRIGGERED BMP ACTION PLAN AND 125% OF ALL SUPPLIES NEEDED TO IMPLEMENT THE PLAN SHALL BE RETAINED ON THE JOB SITE IN A MANNER THAT ALLOWS FULL DEPLOYMENT AND COMPLETE INSTALLATION IN 24 HOURS. ALL OTHER BMP'S SHALL BE DEPLOYED ON AN ON-GOING BASIS.
- 4) THE CONTRACTOR IS RESPONSIBLE TO INSURE COMPLIANCE WITH ALL APPLICABLE STORMWATER REGULATIONS AT ALL TIMES. THE BMP'S THAT HAVE BEEN INCORPORATED INTO THIS PLAN SHALL BE IMPLEMENTED AND MAINTAINED TO EFFECTIVELY PREVENT THE POTENTIALLY NEGATIVE IMPACTS OF THIS PROJECT'S CONSTRUCTION ACTIVITIES ON STORMWATER QUALITY. THE MAINTENANCE OF THE BMP'S IS THE CONTRACTOR'S RESPONSIBILITY, AND FAILURE TO PROPERLY INSTALL OR MAINTAIN THE BMP'S MAY RESULT IN ENFORCEMENT ACTION BY OTHERS. IF INSTALLED BMP'S FAIL, THEY MUST BE REPAIRED OR REPLACED WITH AN ACCEPTABLE ALTERNATE AS SOON AS SAFE TO DO SO.
- 5) CONTRACTOR SHALL FILE A NOTICE OF INTENT (NOI) WITH THE STATE WATER RESOURCES CONTROL BOARD (SWRCB) AND PREPARE A STORMWATER POLLUTION PREVENTION PLAN (SWPPP) IN ACCORDANCE WITH THE REQUIREMENTS OF CALIFORNIA GENERAL PERMIT FOR STORMWATER DISCHARGES ASSOCIATED WITH CONSTRUCTION ACTIVITY (PERMIT NO. 99-08-DWQ) FOR ALL OPERATIONS ASSOCIATED WITH THESE PLANS. THE CONTRACTOR WILL KEEP A COPY OF THE SWPPP ON SITE AND AVAILABLE FOR REVIEW BY THE RESIDENT ENGINEER.
- 6) ALL AREAS TO BE USED FOR MATERIAL DELIVERY AND STORAGE, WASTE HANDLING AND ALL OTHER STAGING ACTIVITIES SHALL CONFORM TO THE FOLLOWING BMP'S (IF APPLICABLE): WM-1 THROUGH WM-10, AND NS-1 THROUGH NS-10.
- 7) THE CONTRACTOR SHALL BE RESPONSIBLE FOR THE INSPECTION AND MODIFICATION OF THE EROSION CONTROL DEVICES. THE CONTRACTOR SHALL BE RESPONSIBLE FOR THE CONTINUAL MAINTENANCE OF THE EROSION CONTROL DEVICES. IN THE EVENT OF FAILURE OR REFUSAL TO PROPERLY MAINTAIN SAID DEVICES, THE RESIDENT ENGINEER MAY CAUSE EMERGENCY MAINTENANCE WORK TO BE PERFORMED TO PROTECT ADJACENT PRIVATE AND PUBLIC PROPERTY, THE COST OF WHICH SHALL BE CHARGED TO THE CONTRACTOR (INCLUDING ALL MOBILIZATION FEES).
- 8) SEDIMENTATION BASINS, IF ANY, MAY NOT BE REMOVED OR MADE INOPERATIVE WITHOUT PRIOR APPROVAL OF THE RESIDENT ENGINEER.
- 9) TEMPORARY EROSION CONTROL DEVICES WHICH INTERFERE WITH WORK SHALL BE RELOCATED OR MODIFIED AS THE WORK PROGRESSES, AS APPROVED BY THE RESIDENT ENGINEER.
- 10) ALL LOOSE SOIL AND DEBRIS SHALL BE REMOVED FROM THE STREET AREAS UPON STARTING OPERATIONS AND PERIODICALLY THEREAFTER AS NECESSARY OR AS DIRECTED BY THE RESIDENT ENGINEER.
- 11) STAND-BY CREWS SHALL BE MADE AVAILABLE BY THE CONTRACTOR FOR EMERGENCY WORK DURING RAINSTORMS AND SHALL BE ALERTED BY THE CONTRACTOR.
- 12) PROVIDE VELOCITY CHECK DAMS IN ALL WALKWAYS, ROADWAYS, AND PARKING LOTS, PAVED OR UNPAVED AND IN ALL UNPAVED GRADED CHANNELS. VELOCITY OR CHECK DAMS MAY BE CONSTRUCTED OF SANDBAGS, TIMBER, OR OTHER EROSION RESISTANT MATERIALS APPROVED BY THE RESIDENT ENGINEER AND SHALL EXTEND COMPLETELY ACROSS THE ROADWAY OR GRADED AREA AT RIGHT ANGLES TO THE CENTER LINE. EARTH DIKES MAY NOT BE USED AS VELOCITY CHECK DAMS.
- 13) A SEDIMENT BASIN OR SEDIMENT TRAP SHALL BE PROVIDED AT EVERY STORM DRAIN INLET TO PREVENT SEDIMENT FROM ENTERING THE STORM DRAIN SYSTEM. IN ACCORDANCE WITH BMP SC-10.
- 14) THE CONTRACTOR SHALL BE RESPONSIBLE AND SHALL TAKE ALL NECESSARY PRECAUTIONS TO PREVENT PUBLIC TRESPASS ONTO AREAS WHERE IMPOUNDED WATERS CREATE A HAZARDOUS CONDITION. NECESSARY PRECAUTIONS MAY INCLUDE, BUT NOT BE LIMITED TO, APPROPRIATE PERIMETER FENCING.
- 15) FIBER ROLLS AND NECESSARY MATERIALS SHALL BE AVAILABLE ON SITE AND STOCKPILED AT CONVENIENT LOCATIONS TO FACILITATE RAPID CONSTRUCTION OF TEMPORARY DEVICES OR TO REPAIR ANY DAMAGED EROSION CONTROL MEASURES WHEN RAIN IS IMMINENT. A STAND-BY CREW SHALL BE MADE AVAILABLE AT ALL TIMES DURING THE RAINY SEASON.
- 16) THE CONTRACTOR IS RESPONSIBLE TO REPAIR ANY EROSION DAMAGE TO THE SLOPES, PADS OR STREETS SHOWN ON THESE PLANS WHETHER THE SLOPES ARE EXISTING OR NEW SLOPES, UNTIL THE PROJECT IS ACCEPTED BY THE CITY.
- 17) THE CONTRACTOR SHALL TAKE THE NECESSARY STEPS TO PROTECT THE PROJECT AND ADJACENT PROPERTY FROM ANY EROSION AND SILTATION THAT RESULT FROM CONSTRUCTION OPERATIONS BY APPROPRIATE MEANS (FIBER ROLLS, TEMPORARY DESILTING BASINS, DIKES, SHORING, ETC.) UNTIL SUCH TIME THAT THE PROJECT IS COMPLETED AND ACCEPTED FOR MAINTENANCE BY THE CITY. CONTRACTOR SHALL COMPLY WITH STORM WATER POLLUTION PREVENTION PLAN (SWPPP).
- 18) PRIOR TO ACCEPTANCE OF THE PROJECT BY THE CITY, THE CONTRACTOR SHALL CLEAN ALL PROPOSED STORM DRAINS SHOWN HEREON. ALL SILT AND DEBRIS SHALL BE REMOVED FROM THE SYSTEM.
- 19) THE EROSION CONTROL SYSTEMS REQUIRE CERTIFICATION BY RESIDENT ENGINEER. SUCH CERTIFIED SYSTEMS SHALL BE COMPLETED, INSPECTED, AND IN PLACE PRIOR TO START OF CONSTRUCTION. ALL EROSION CONTROL SYSTEMS SHALL REMAIN IN PLACE AT ALL TIMES FOR ALL AREAS IN WHICH CONSTRUCTION IS NOT SCHEDULED TO COMMENCE WITHIN THE NEXT SEVEN (7) DAYS.
- 20) ALL EROSION CONTROL MEASURES REQUIRED TO RETAIN SEDIMENT ON-SITE AND TO SAFELY DISCHARGE ANY ACCELERATED RUNOFF GENERATED BY THE PROJECT SHALL BE INSTALLED DURING THE INITIAL CONSTRUCTION PHASE OF THE PROJECT.

- 21) THE CONSTRUCTION AND MAINTENANCE OF ALL EROSION CONTROL SYSTEMS SHALL BE IN SUBSTANTIAL CONFORMANCE WITH THE APPROVED EROSION CONTROL PLAN.
- 22) EROSION CONTROL PROVISIONS SHALL INCLUDE AND COMPLEMENT DRAINAGE PATTERNS DURING THE CURRENT AND FUTURE PHASES OF GRADING.
- 23) GRADED AREAS AROUND THE SITE PERIMETER MUST DRAIN AWAY FROM THE FACE OF SLOPES AT THE CONCLUSION OF EACH WORKING DAY.
- 24) PAVED STREETS, SIDEWALKS, AND OTHER IMPROVEMENTS SHALL BE MAINTAINED IN A NEAT AND CLEAN CONDITION, FREE OF LOOSE SOIL, CONSTRUCTION DEBRIS, AND TRASH IN ACCORDANCE WITH BMP SC-7.
- 25) IT IS THE CONTRACTOR'S RESPONSIBILITY TO KEEP THE PUBLIC STREETS FREE FROM ALL MUD, DUST, OR OTHER DEBRIS. AT A MINIMUM, THIS SHALL INCLUDE STREET SWEEPING AT THE END OF EACH DAY OF GRADING ACTIVITY.
- 26) FOR ASSISTANCE IN RESOLVING ALL STORM WATER RELATED PROBLEMS DURING THE COURSE OF GRADING OPERATIONS, CALL THE PARTY RESPONSIBLE FOR BMP INSPECTIONS AS IDENTIFIED IN THE SWPPP.
- 27) BMP TC-1 SHALL INCLUDE 4-SDSC 8' X 10' X 1" STEEL MUD PLATES WITH ANGLE IRON WELDED BY THE TREBOR COMPANY OR EQUIVALENT.
- 28) NOT USED
- 29) FOR STORM DRAIN INLET, PROVIDE A GRAVEL BAG SILT BASIN IMMEDIATELY UPSTREAM OF INLET AS INDICATED ON DETAILS.
- 30) FOR INLETS LOCATED AT SUMPS ADJACENT TO TOP OF SLOPES, THE CONTRACTOR SHALL ENSURE THAT WATER DRAINING TO THE SUMP IS DIRECTED INTO THE INLET AND THAT A MINIMUM OF 1.00' FREEBOARD EXISTS AND IS MAINTAINED ABOVE THE TOP OF THE INLET. IF FREEBOARD IS NOT PROVIDED BY GRADING SHOWN ON THESE PLANS, THE CONTRACTOR SHALL PROVIDE IT VIA TEMPORARY MEASURES, I.E. GRAVEL BAGS OR DIKES.
- 31) THE CONTRACTOR SHALL BE RESPONSIBLE FOR CLEANUP OF SILT AND MUD ON ADJACENT STREET DUE TO CONSTRUCTION ACTIVITY, AT THE END OF EACH WORKING DAY.
- 32) EQUIPMENT AND WORKERS FOR EMERGENCY WORK SHALL BE MADE AVAILABLE AT ALL TIMES DURING THE RAINY SEASON. ALL NECESSARY MATERIALS SHALL BE STOCKPILED ON SITE AT CONVENIENT LOCATIONS TO FACILITATE RAPID CONSTRUCTION OF TEMPORARY DEVICES WHEN RAIN IS IMMINENT.
- 33) PERMANENT BMP DEVICES SHOWN ON PLAN SHALL NOT BE MOVED OR MODIFIED WITHOUT THE APPROVAL OF THE RESIDENT ENGINEER.
- 34) THE CONTRACTOR SHALL RESTORE ALL EROSION/SEDIMENT CONTROL DEVICES TO WORKING ORDER TO THE SATISFACTION OF THE RESIDENT ENGINEER AFTER EACH RUN-OFF PRODUCING RAINFALL.
- 35) THE CONTRACTOR SHALL INSTALL ADDITIONAL EROSION/SEDIMENT CONTROL MEASURES AS MAY BE REQUIRED BY THE RESIDENT ENGINEER OF WORK DUE TO UNCOMPLETED IMPROVEMENTS OR UNFORESEEN CIRCUMSTANCES, WHICH MAY ARISE.
- 36) THE CONTRACTOR SHALL BE RESPONSIBLE AND SHALL TAKE NECESSARY PRECAUTIONS TO PREVENT PUBLIC TRESPASS ONTO AREAS WHERE IMPOUNDED WATERS CREATE A HAZARDOUS CONDITION.
- 37) ALL EROSION/SEDIMENT CONTROL MEASURES PROVIDED PER THE APPROVED PLAN SHALL BE INCORPORATED HEREON. ALL EROSION/SEDIMENT CONTROL FOR INTERIM CONDITIONS SHALL BE DONE TO THE SATISFACTION OF THE RESIDENT ENGINEER.
- 38) ALL REMOVABLE PROTECTIVE DEVICES SHOWN SHALL BE IN PLACE AT THE END OF EACH WORKING DAY WHEN THE FIVE DAY RAIN PROBABILITY FORECAST EXCEEDS 40%.
- 39) THE CONTRACTOR SHALL ARRANGE FOR WEEKLY MEETINGS DURING OCTOBER 30TH TO MARCH 30TH FOR PROJECT TEAM (GENERAL CONTRACTOR, QUALIFIED PERSON, EROSION CONTROL SUBCONTRACTOR IF ANY, ENGINEER OF WORK, OWNER/DEVELOPER AND THE RESIDENT ENGINEER) TO EVALUATE THE ADEQUACY OF THE EROSION CONTROL MEASURES AND OTHER RELATED CONSTRUCTION ACTIVITIES.

NOTE:
THIS PLAN INCLUDED FOR REFERENCE ONLY.
SEE SWPPP.

C-7

**Plans for the Construction of
Los Penasquitos/Black Mountain
Ranger Station**

EROSION CONTROL NOTES

CITY OF SAN DIEGO, CALIFORNIA PUBLIC WORKS DEPARTMENT SHEET 11 OF 32 SHEETS		WBS B-00619
APPROVED FOR CITY ENGINEER ALI DARVISHI DATE 7/22/14	SUBMITTED BY: JASON GRANI PROJECT MANAGER	
DESCRIPTION	BY	APPROVED DATE FILMED
ORIGINAL	PSOMAS	
		287-1731 CCS27 COORDINATE
		6292407-1918444 CCS83 COORDINATE
CONTRACTOR	DATE STARTED	35048-11-D
INSPECTOR	DATE COMPLETED	

James S. Bliss
JAMES S. BLISS R.C.E. C41795 DATE 07-16-2014

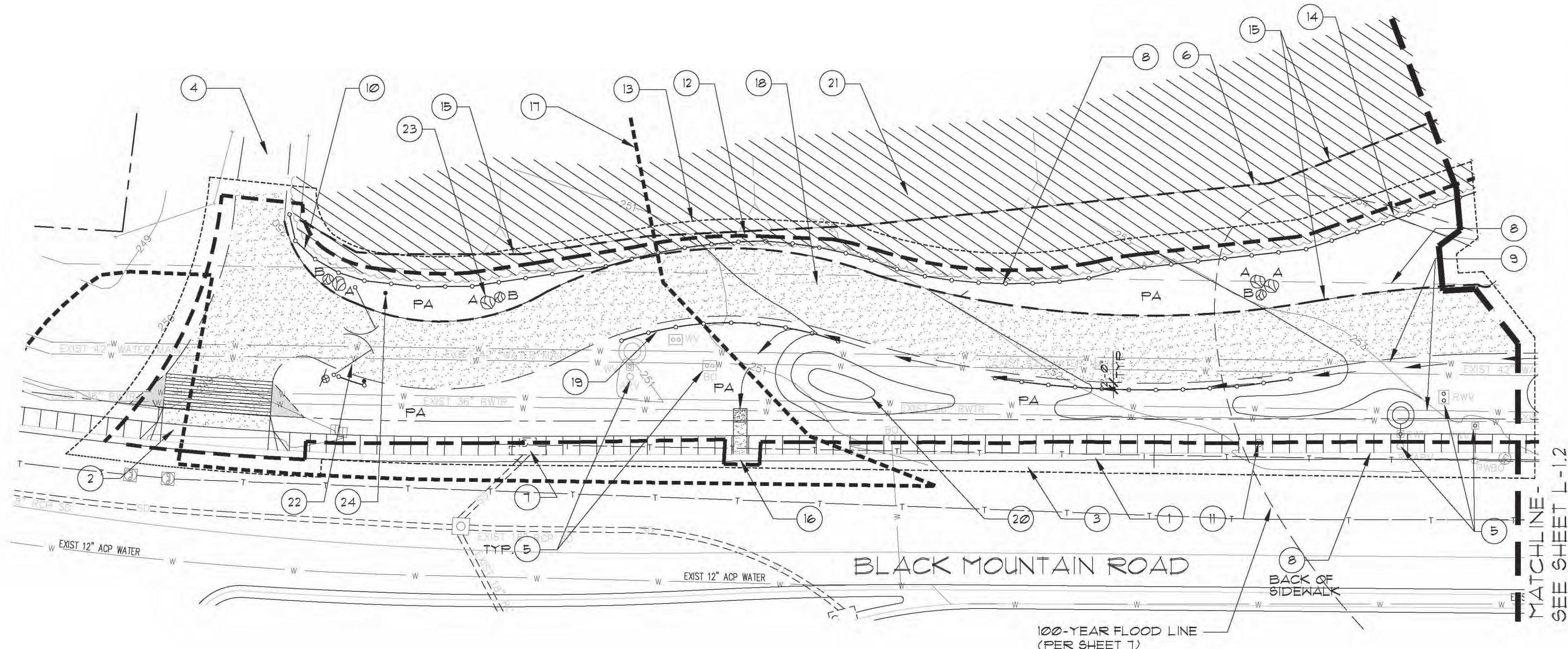
PSOMAS
3111 Camino Del Rio North, Suite 702
San Diego, CA 92108
(619) 961-2800 (619) 961-2392 fax
www.psomas.com



Los Penasquitos/Black Mountain Ranger Station

SHEET NOTES:

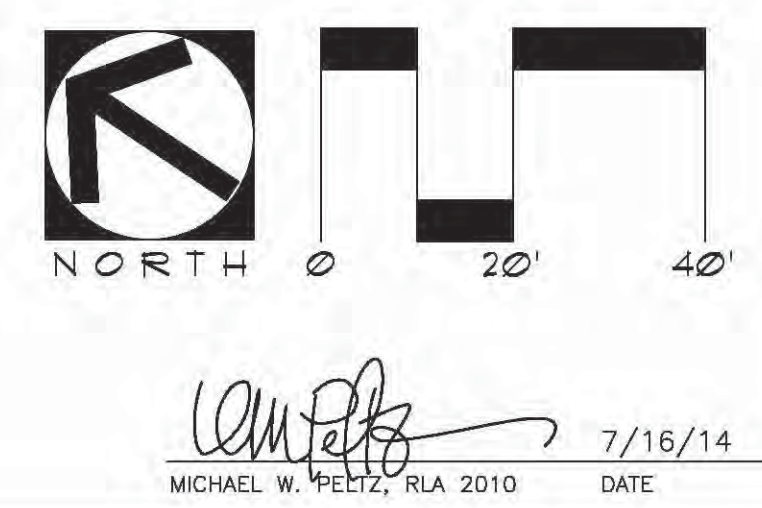
- 1 EXISTING CONCRETE SIDEWALK TO REMAIN (PROTECT IN PLACE)
- 2 REPLACE EXISTING CONCRETE DRIVEWAY APPROACH (SEE SHEET 1)
- 3 EXISTING CONCRETE CURB AND GUTTER TO REMAIN
- 4 EXISTING ACCESS TO HORSEMAN'S PARK TO REMAIN OPEN DURING CONSTRUCTION
- 5 EXISTING SURFACE UTILITY TO REMAIN (PROTECT IN PLACE) - SEE SHEET 1
- 6 TOP OF SLOPE OF EXISTING DRAINAGE CHANNEL (PROTECT IN PLACE)
- 7 DRAIN INLET (SEE SHEET 1)
- 8 EXISTING UTILITY EASEMENT (VERIFY LOCATION PRIOR TO CONSTRUCTION)
- 9 EXISTING WATERLINE (VERIFY LOCATION PRIOR TO CONSTRUCTION)
- 10 PLACE PEELER LOG FENCING AT EDGE OF EXISTING VEGETATION (VERIFY WITH BIOLOGIST PRIOR TO CONSTRUCTION), TYPICAL
- 11 EXISTING SIGN TO REMAIN
- 12 LIMIT OF WORK
- 13 LIMIT OF ADD. ALT. F'
- 14 EDGE OF EXISTING VEGETATION
- 15 EDGE OF WETLAND BUFFER
- 16 NEW CURB OUTLET (SEE SHEET 1)
- 17 MHPA BOUNDARY
- 18 STABILIZED DECOMPOSED GRANITE ACCESS DRIVE
- 19 PEELER LOG FENCE
POSTS SHALL BE LOCATED TWO FEET FROM EXISTING WATER LINES
- 20 BERM (1 FOOT CONTOURS) - SEE SHEET 1
- 21 ADJACENT EXISTING VEGETATION TO REMAIN (PROTECT IN PLACE)
- 22 ACCESS GATE
- 23 BOULDERS - LETTERS
INDICATE APPROXIMATE SIZE. BOULDERS SHALL BE 5 FEET CLEAR OF EXISTING WATER LINES. VERIFY EXACT LOCATIONS AND PLACEMENT WITH RESIDENT ENGINEER PRIOR TO INSTALLATION:
A - 48" x 48" x 36"
B - 36" x 36" x 30"
- 24 ACCESS GATE POLE (PER SDRSD #M-04 - TYPE "A" (SIM.) - WELD 12-CHAIN LINK SEGMENT AT ACCESS GATE LOOP)



MATCHLINE - SEE SHEET L-1.2

L-1.1

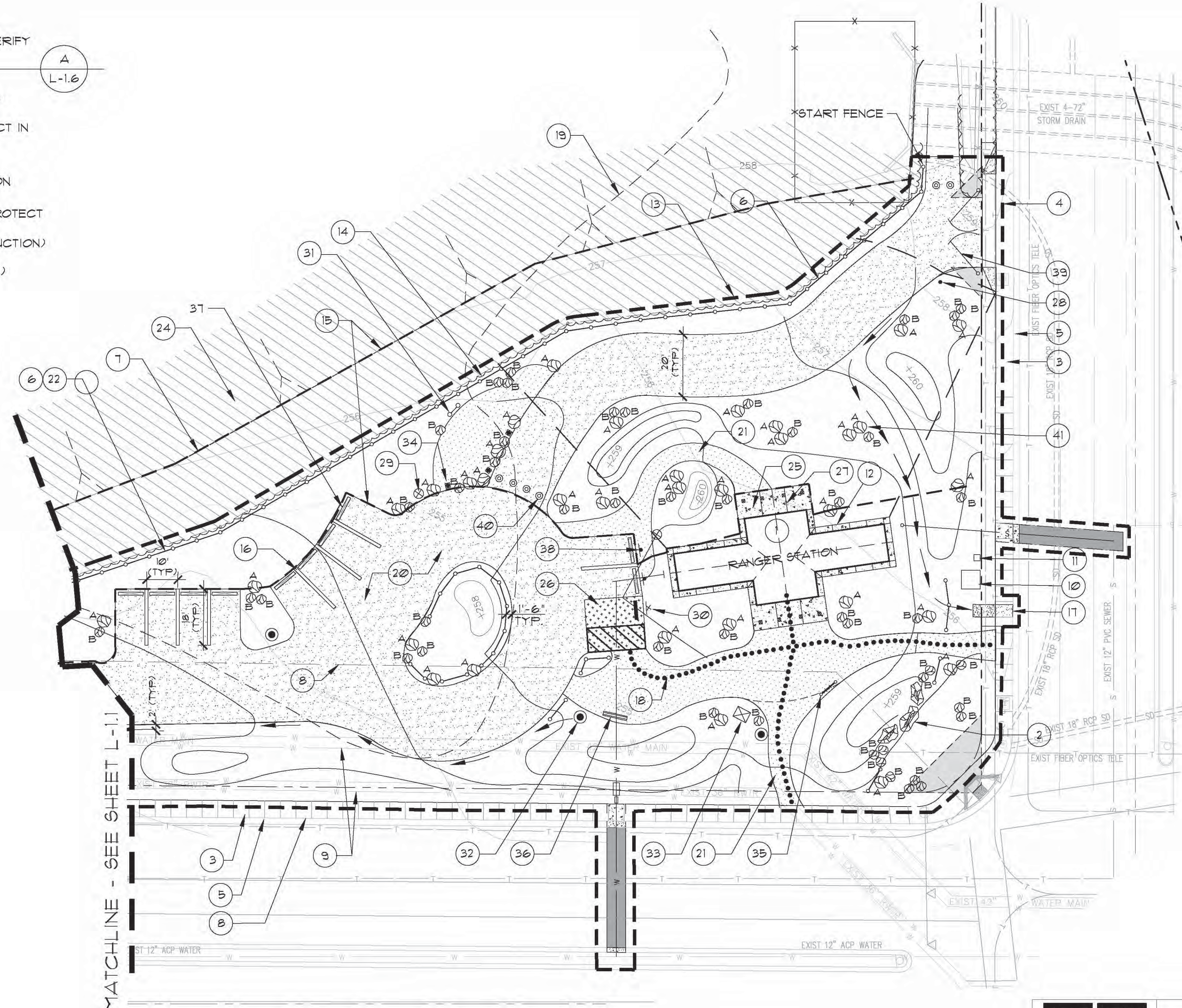
<p><small>A CALIFORNIA CORPORATION MW PELTZ + ASSOCIATES LANDSCAPE ARCHITECTURE SOLANA BEACH, CALIFORNIA 858.481.0888 / RLA 2010</small></p>	<p>Plans for the Construction of Los Penasquitos/Black Mountain Ranger Station</p> <p>LANDSCAPE CONSTRUCTION PLAN</p>		<p>WBS: B-00619</p>												
	<p>CITY OF SAN DIEGO, CALIFORNIA PUBLIC WORKS DEPARTMENT SHEET 12 OF 32 SHEETS</p>		<p>APPROVED: <i>[Signature]</i> 7/22/14 DATE</p> <p>FOR CITY ENGINEER ALI DARVISHI PRINT NAME</p>												
<p>REVISIONS</p> <table border="1"> <thead> <tr> <th>NO.</th> <th>DESCRIPTION</th> <th>BY</th> <th>APPROVED</th> <th>DATE</th> <th>FILMED</th> </tr> </thead> <tbody> <tr> <td>1</td> <td>ORIGINAL</td> <td>MWPA</td> <td></td> <td></td> <td></td> </tr> </tbody> </table>		NO.	DESCRIPTION	BY	APPROVED	DATE	FILMED	1	ORIGINAL	MWPA				<p>SUBMITTED BY: JASON GRANI PROJECT MANAGER</p> <p>ALI DARVISHI SECTION HEAD</p> <p>287-1731 CCS27 COORDINATE</p> <p>6292407-1918444 CCS83 COORDINATE</p>	
NO.	DESCRIPTION	BY	APPROVED	DATE	FILMED										
1	ORIGINAL	MWPA													
<p>CONTRACTOR _____ DATE STARTED _____</p> <p>INSPECTOR _____ DATE COMPLETED _____</p>		<p>35048-12-D</p>													



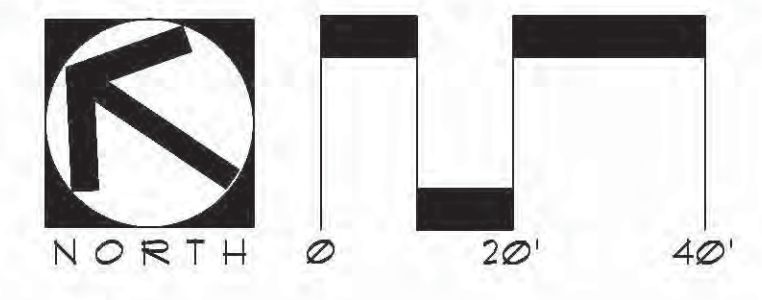
Drawing name: 06004_L1.1.dwg
Date: Jul 16, 2014 - 4:42pm
Drawn by: jhiers

SHEET NOTES:


- 1 RANGER STATION (PRE-FABRICATED) - SEE SPECIFICATIONS (VERIFY EXACT LOCATION WITH ENGINEER PRIOR TO CONSTRUCTION)
- 2 MONUMENT SIGN
- 3 EXISTING CONCRETE SIDEWALK TO REMAIN (PROTECT IN PLACE)
- 4 EXISTING CONCRETE DRIVEWAY APPROACH TO REMAIN (PROTECT IN PLACE)
- 5 EXISTING CONCRETE CURB AND GUTTER TO REMAIN
- 6 LOCATE FEELER LOG FENCING AT EDGE OF EXISTING VEGETATION (VERIFY WITH ENGINEER-PRIOR TO CONSTRUCTION)
- 7 TOP OF SLOPE OF EXISTING DRAINAGE CHANNEL TO REMAIN (PROTECT IN PLACE)
- 8 EXISTING UTILITY EASEMENT (VERIFY LAYOUT PRIOR TO CONSTRUCTION)
- 9 EXISTING WATER LINE (VERIFY LAYOUT PRIOR TO CONSTRUCTION)
- 10 ELECTRICAL TRANSFORMER (SEE SHEET 29)
- 11 ELECTRICAL PEDESTAL (SEE SHEET 29)
- 12 BUILDING ROOFLINE
- 13 LIMIT OF WORK
- 14 EDGE OF EXISTING VEGETATION
- 15 EDGE OF WETLAND BUFFER
- 16 12' X 6" X 18' CONCRETE BAND (7 TOTAL)
- 17 NEW CURB OUTLET (SEE SHEET 8)
- 18 ADA PATH OF TRAVEL
- 19 100-YEAR FLOOD LINE (PER SHEET 8)
- 20 STABILIZED DECOMPOSED GRANITE ACCESS DRIVE
- 21 STABILIZED DECOMPOSED GRANITE PATHWAYS
- 22 FEELER LOG FENCING POSTS SHALL BE LOCATED TWO FEET FROM EXISTING WATER LINES MINIMUM
- 23 BERM (1 FOOT CONTOURS) - SEE SHEET 8
- 24 ADJACENT EXISTING VEGETATION TO REMAIN (PROTECT IN PLACE)
- 25 CONCRETE PAVING- PEDESTRIAN (UNCOLORED CONCRETE WITH ROCK SALT FINISH)
- 26 ACCESSIBLE PARKING STALL (PER SDRSD #SDM-117 - OMIT 6" CURB PAINTED BLUE TYP.) CONCRETE PAVING - VEHICULAR @ PARKING SPACE & STRIPED ZONE (MEDIUM BROOM FINISH)
- 27 SCORELINE
- 28 ACCESS GATE FOLE (PER SDRSD #AM-04 - TYPE "A" (SIM.) - WELD 12-CHAIN LINK SEGMENT AT ACCESS GATE LOOP
- 29 TRASH RECEPTACLE, TYP 2 THIS SHEET (ADDITIVE ALTERNATE 'A')
- 30 ACCESSIBLE PARKING SIGN (PER SDRSD #SDM-117)
- 31 "HORSE PARKING ONLY" SIGN (PER SDRSD #M-45 & #SDM-117 (SIM.))
- 32 LIGHT STANDARD (TYP 3 THIS SHEET) - SEE ELEC DWGS
- 33 INTERPRETIVE PANEL (ADDITIVE ALTERNATE 'D')
- 34 HITCHING POSTS (TYPICAL OF 3) (ADDITIVE ALTERNATE 'C')
- 35 BIKE RACK (ADDITIVE ALTERNATE 'B')
- 36 INFORMATION KIOSK (ADDITIVE ALTERNATE 'E')
- 37 WOOD WHEEL STOP (TYPICAL OF 10 THIS SHEET)
- 38 "RANGER PARKING ONLY" SIGN (PER SDRSD #M-45 & #SDM-117 (SIM.))
- 39 ACCESS GATE
- 40 DEMOUNTABLE POSTS (TYP 6 THIS SHEET) (PER SDRSD #M-16)
- 41 BOULDERS - LETTERS INDICATE APPROXIMATE SIZE. BOULDERS SHALL BE FIVE FEET CLEAR OF EXISTING WATER LINES. VERIFY EXACT LOCATIONS AND PLACEMENT WITH ENGINEER PRIOR TO INSTALLATION:
A - 48" x 48" x 36"
B - 36" x 36" x 30"



NOTE:
ON-SITE PARKING STALLS AND AISLE WIDTHS SHALL BE IN COMPLIANCE WITH REQUIREMENTS OF THE CITY'S LAND DEVELOPMENT CODE AND SHALL NOT BE CONVERTED AND/OR UTILIZED FOR ANY OTHER PURPOSE, UNLESS OTHERWISE AUTHORIZED IN WRITING BY THE DEVELOPMENT SERVICES DIRECTOR



Michael W. Peltz
MICHAEL W. PELTZ, RLA 2010 DATE 7/16/14



A CALIFORNIA CORPORATION
MW PELTZ + ASSOCIATES
LANDSCAPE ARCHITECTURE
SOLANA BEACH, CALIFORNIA
858.481.0888 / RLA 2010

**Plans for the Construction of
Los Penasquitos/Black Mountain
Ranger Station**

LANDSCAPE CONSTRUCTION PLAN

CITY OF SAN DIEGO, CALIFORNIA
PUBLIC WORKS DEPARTMENT
SHEET 13 OF 32 SHEETS

APPROVED: *Ali Darvishi* 7/22/14 DATE
FOR CITY ENGINEER
ALI DARVISHI
PRINT NAME

DESCRIPTION BY APPROVED DATE FILMED

ORIGINAL MWPA

CONTRACTOR DATE STARTED
INSPECTOR DATE COMPLETED

WBS B-00619

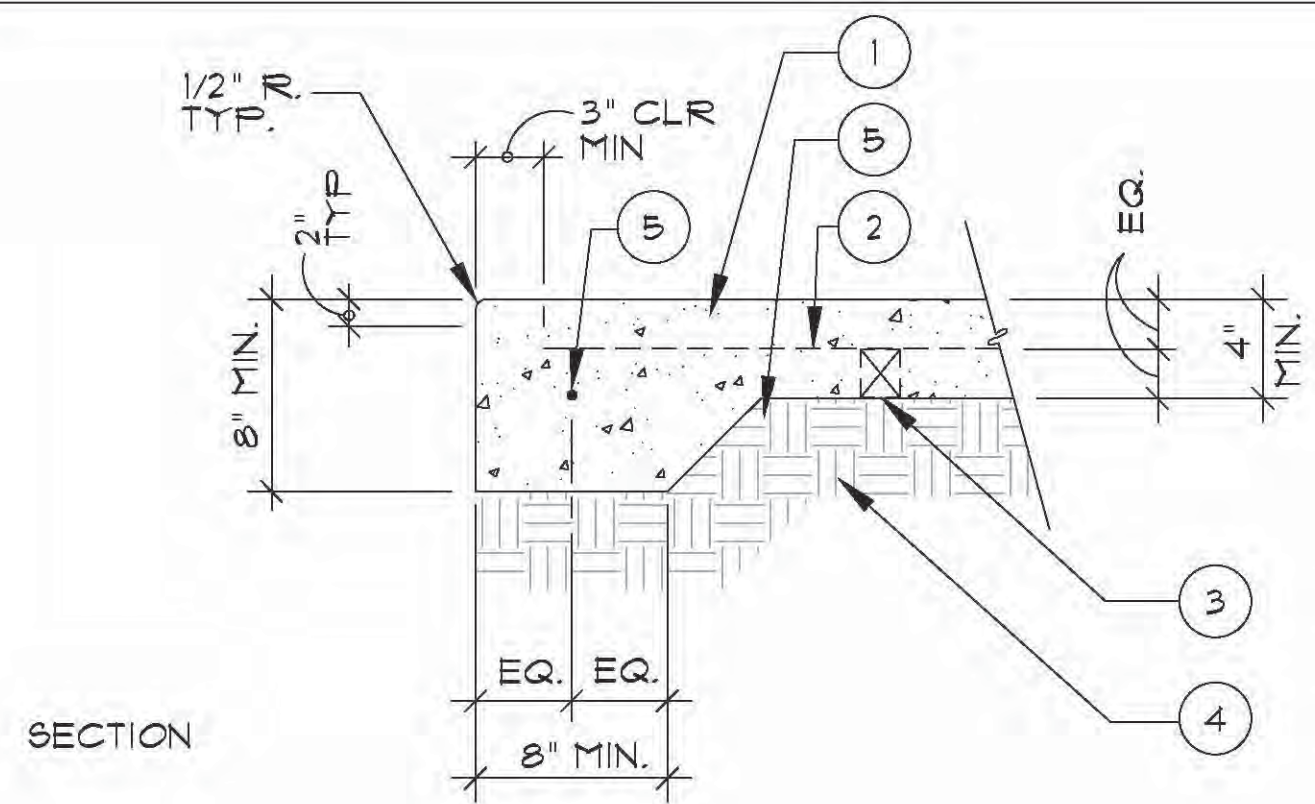
SUBMITTED BY:
JASON GRANI
PROJECT MANAGER

ALI DARVISHI
SECTION HEAD

287-1731
CCS27 COORDINATE

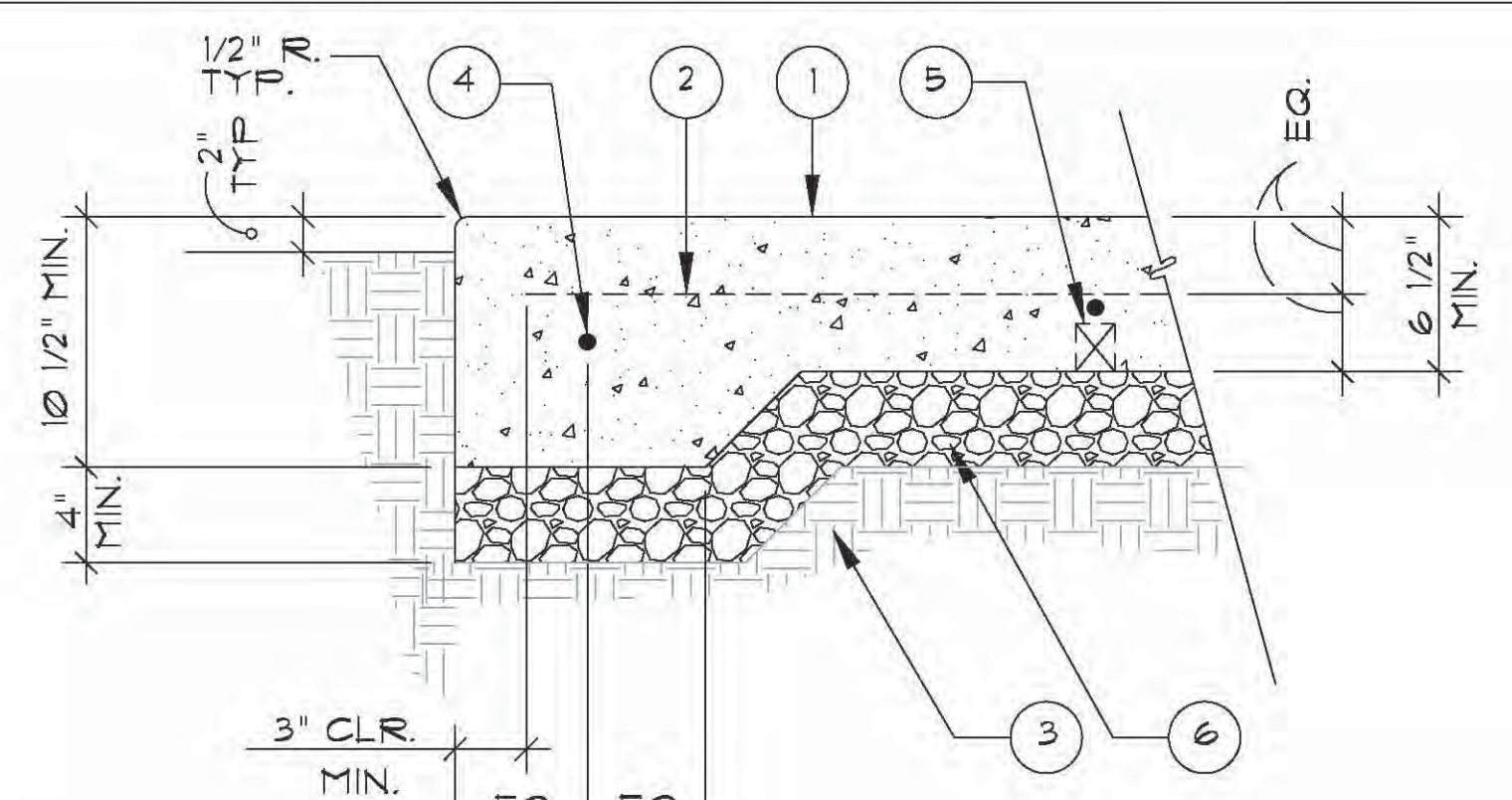
6292407-1918444
CCS83 COORDINATE

35048-13-D



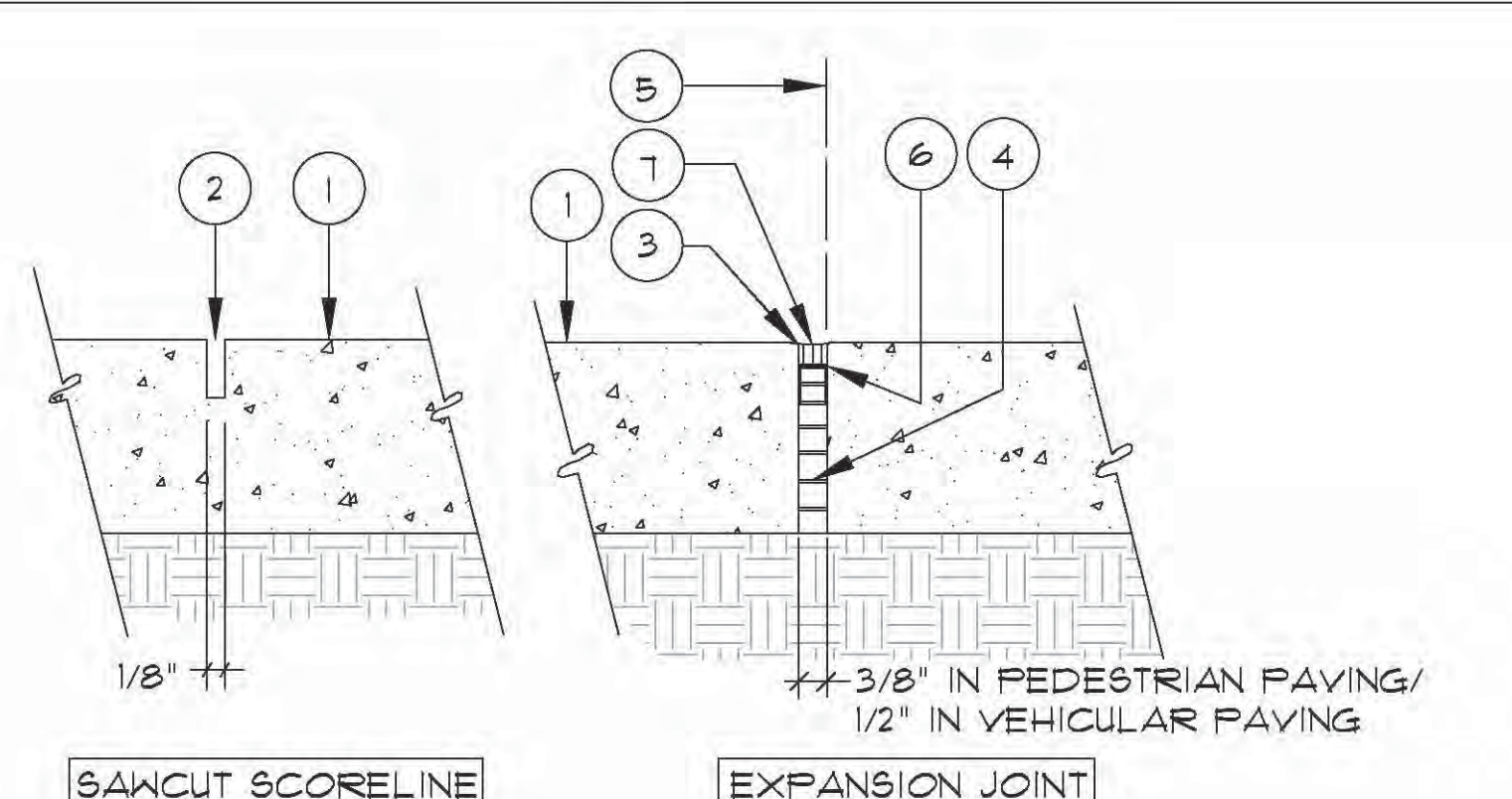
- 1 CONCRETE PAVING - FINISH PER PLAN
- 2 #4 REBAR AT 18" O.C. EACH WAY OR PER GEOTECHNICAL SOILS REPORT
- 3 REBAR CHAIR SUPPORTS AT 18" O.C. EACH WAY
- 4 90% MIN. COMPACTED SUBGRADE
- 5 #3 REBAR CONTINUE AT THICKENED EDGE

A CONCRETE PAVING - PEDESTRIAN
SCALE: 1 1/2"=1'-0"



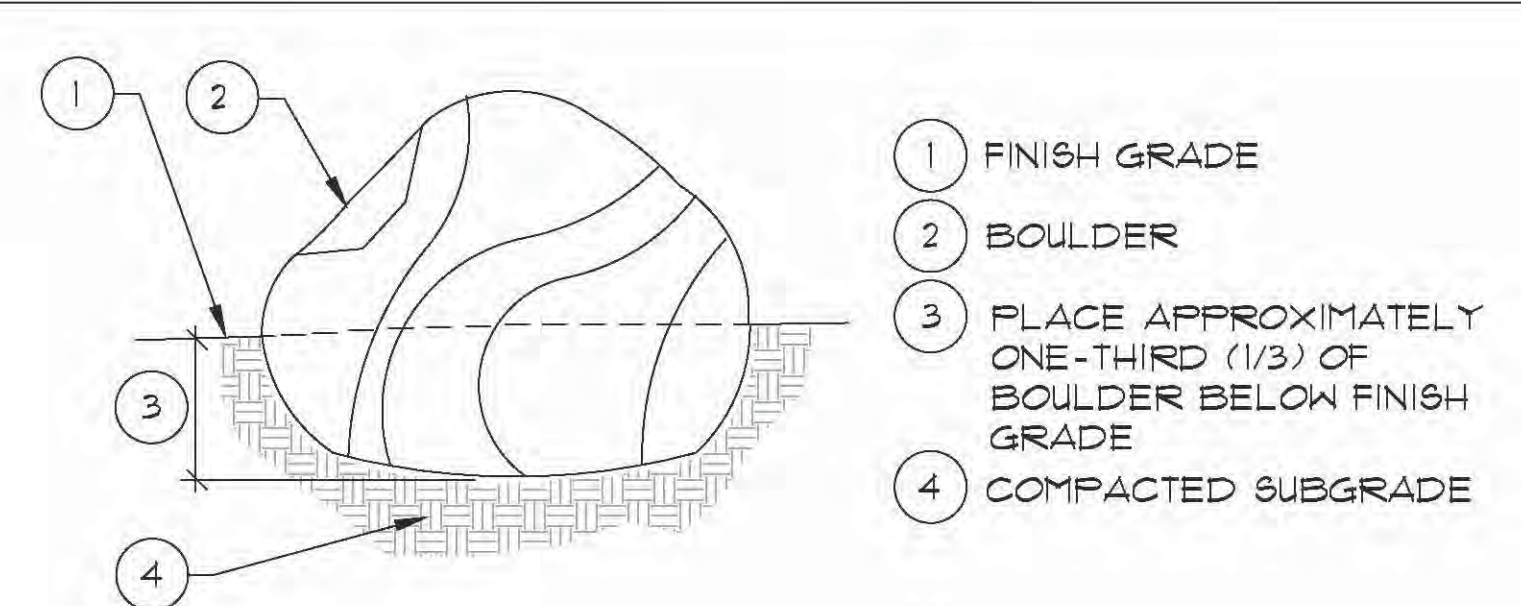
- 1 CONCRETE PAVING - FINISH PER PLAN
- 2 #3 REBAR AT 18" O.C. EACH WAY OR PER SOILS REPORT
- 3 90% MIN. COMPACTED SUBGRADE
- 4 #3 REBAR CONTINUOUS AT THICKENED EDGE
- 5 REBAR CHAIR SUPPORTS AT 18" O.C.
- 6 95% COMPACTED AGGREGATE BASE

B CONCRETE PAVING - VEHICULAR
SCALE: 1 1/2"=1'-0"



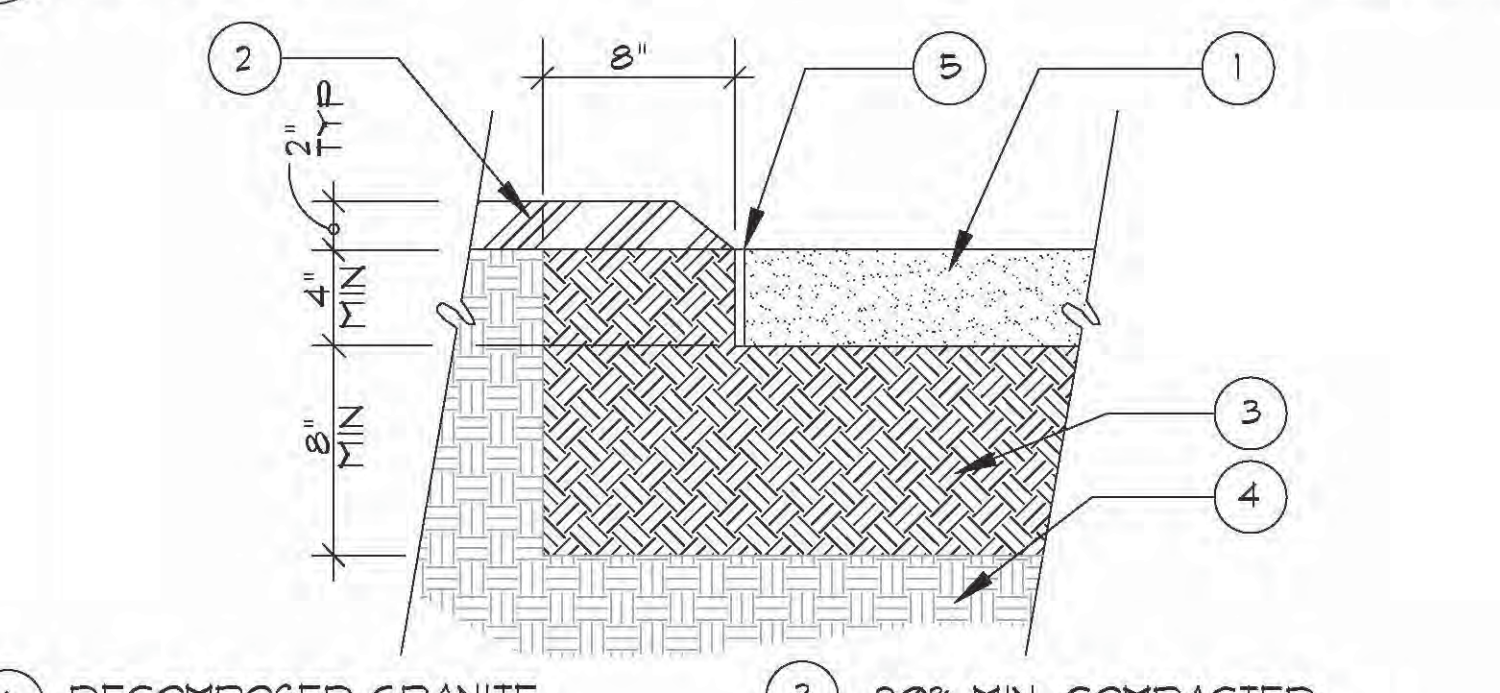
- 1 PAVING PER PLAN
- 2 1/4" DEPTH OF PAVING
- 3 1/4" RADIUS (TYP.)
- 4 EXPANSION JOINT MATERIAL
- 5 FACE OF WALL, BUILDING OR CURB
- 6 JOINT CAP
- 7 SEALANT - COLOR TO MATCH ADJACENT PAVING

C CONCRETE JOINTING
SCALE: 3"=1'-0"



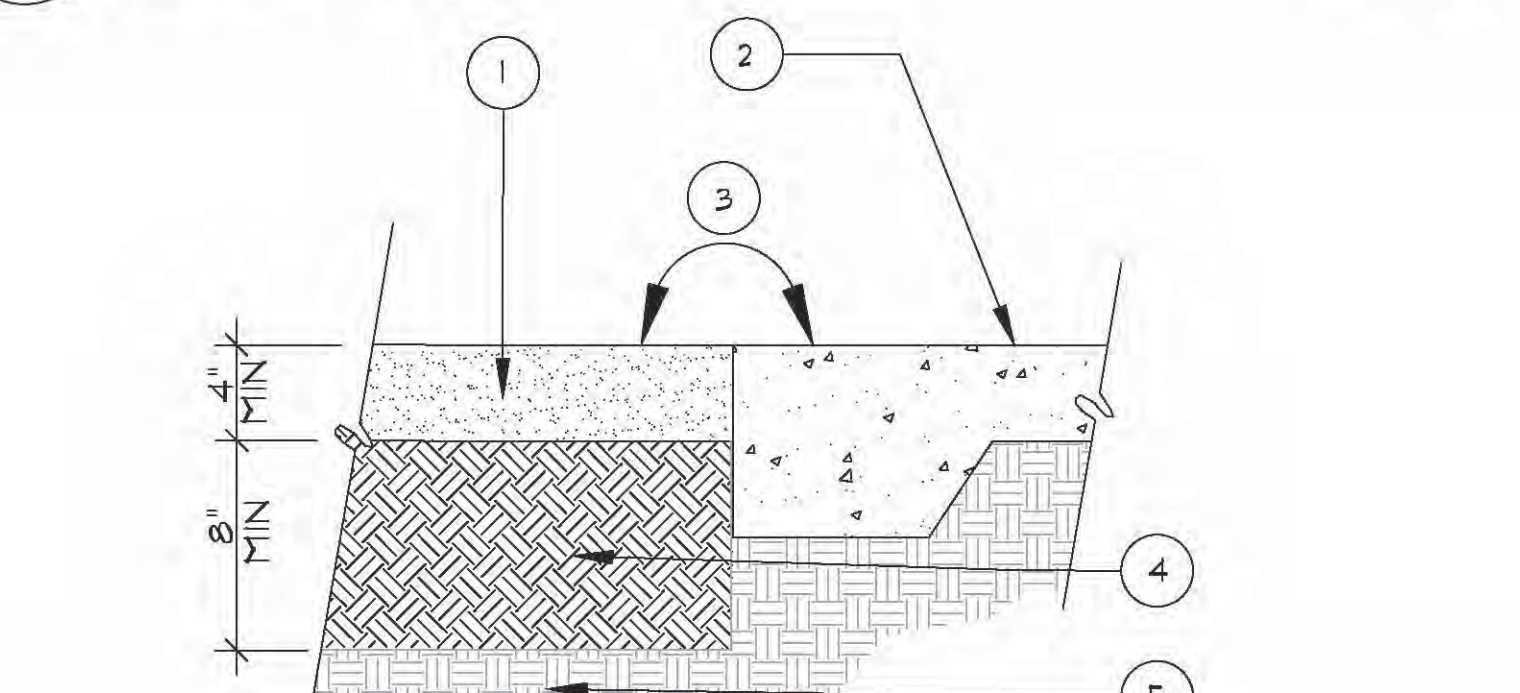
- NOTES:
- APPROXIMATE BOULDER SIZE AND LOCATION PER PLAN.
 - SEE IRRIGATION PLANS AND ADJUST IRRIGATION LAYOUT AND/OR SPRAY PATTERNS TO AVOID BOULDERS AND ACHIEVE 100% COVERAGE IN PLANTED AREAS.
 - PLACE FLATTEST, WIDEST SIDE OF BOULDER BELOW FINISHED GRADE. VERIFY EXACT LOCATION AND ORIENTATION WITH ENGINEER PRIOR TO CONSTRUCTION.
 - POWER WASH BOULDER AFTER SETTING IN PLACE TO REMOVE ALL DIRT AND MARKINGS.

D BOULDER
NO SCALE SECTION



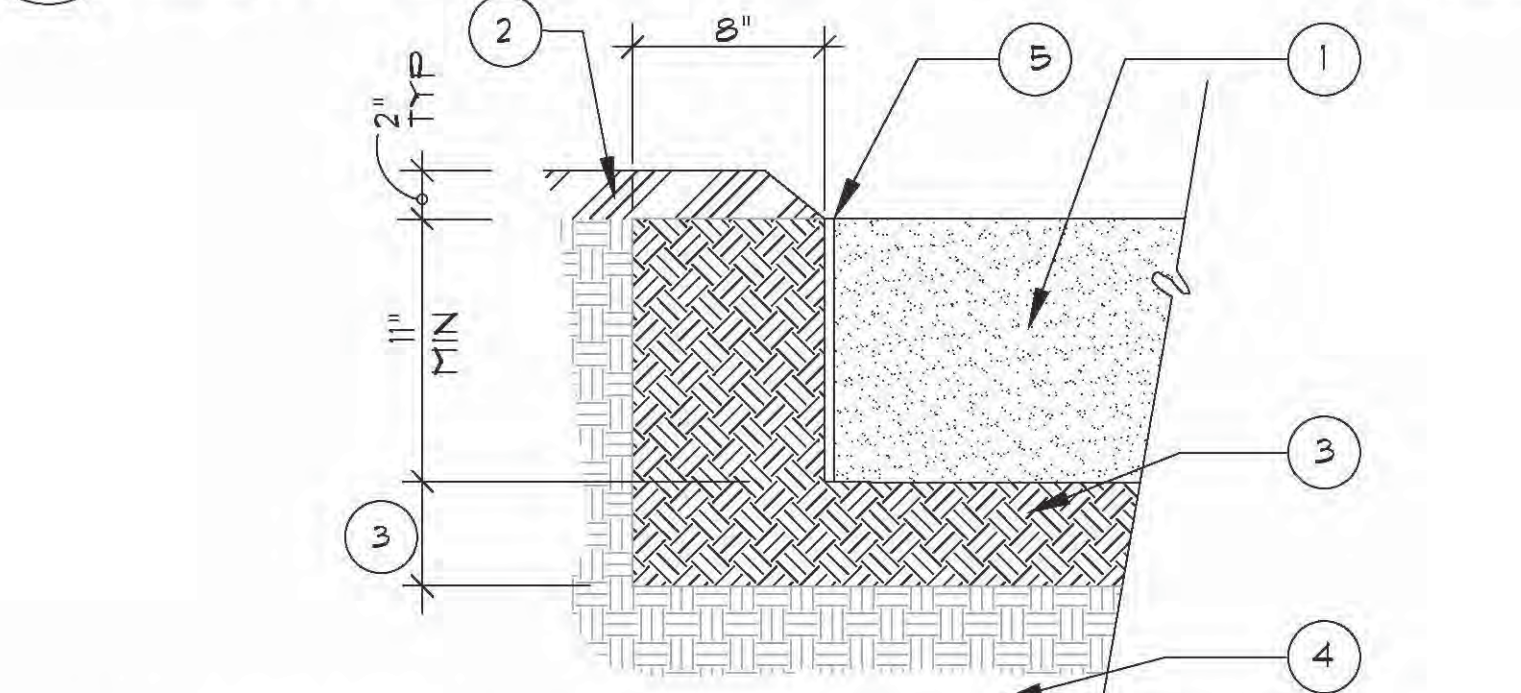
- 1 DECOMPOSED GRANITE (D.G.) WITH STABILIZER - 95% COMPACTION
- 2 MULCH - PROVIDE SMOOTH TRANSITION FROM MULCH TO D.G.
- 3 90% MIN. COMPACTED SUBGRADE @ PERIMETER & UNDER DECOMPOSED GRANITE
- 4 NATIVE SOIL
- 5 ADDITIVE ALTERNATE - INSTALL 3/8" X 4" STEEL EDGING BY SURE-LOC OR EQUAL PER MANUFACTURER'S TECHNICAL SPECIFICATIONS.

E STABILIZED DECOMPOSED GRANITE PATHWAYS
SCALE: 1 1/2"=1'-0"



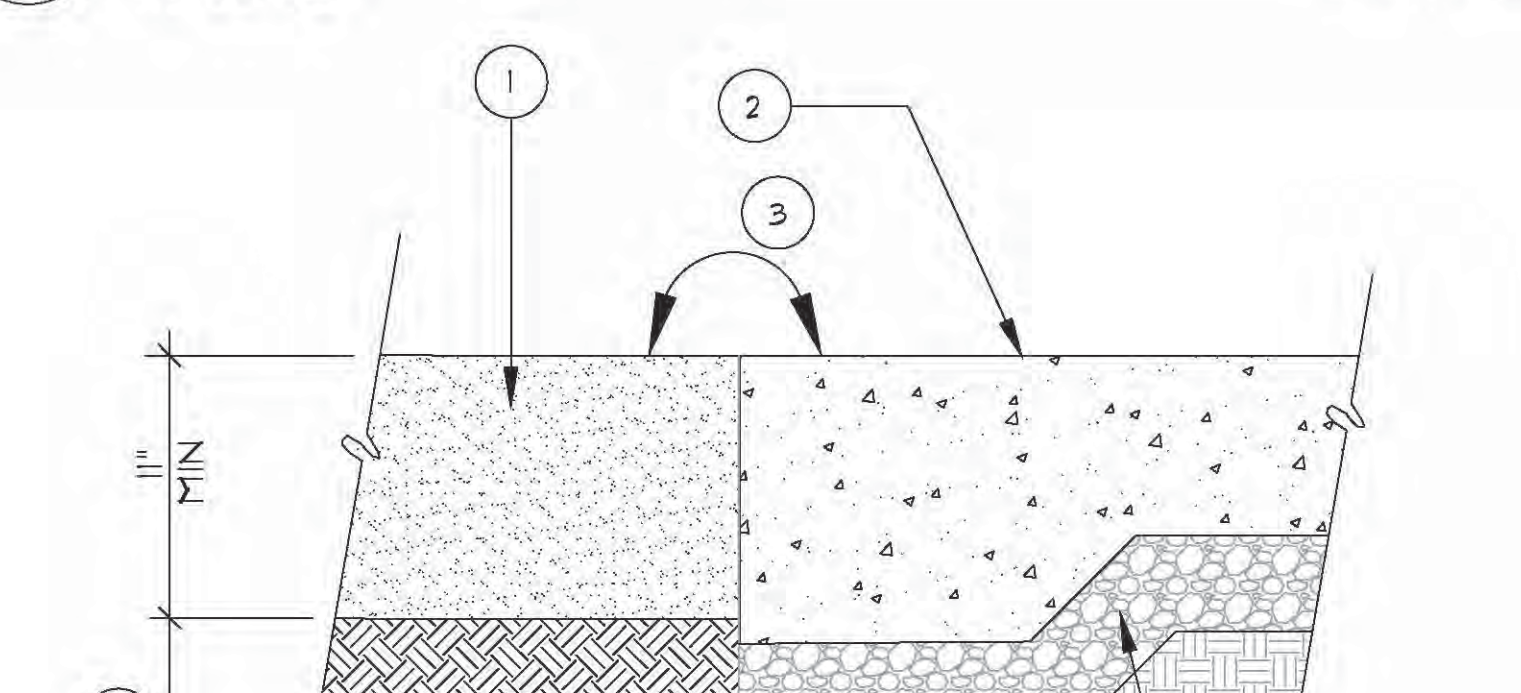
- 1 DECOMPOSED GRANITE (D.G.) WITH STABILIZER - 95% COMPACTION
- 2 CONCRETE PAVING (PEDESTRIAN)
- 3 FLUSH
- 4 90% MIN. COMPACTED SUBGRADE UNDER DECOMPOSED GRANITE
- 5 NATIVE SOIL

F DECOMPOSED GRANITE PATHWAY AT CONCRETE PAVING
SCALE: 1 1/2"=1'-0"



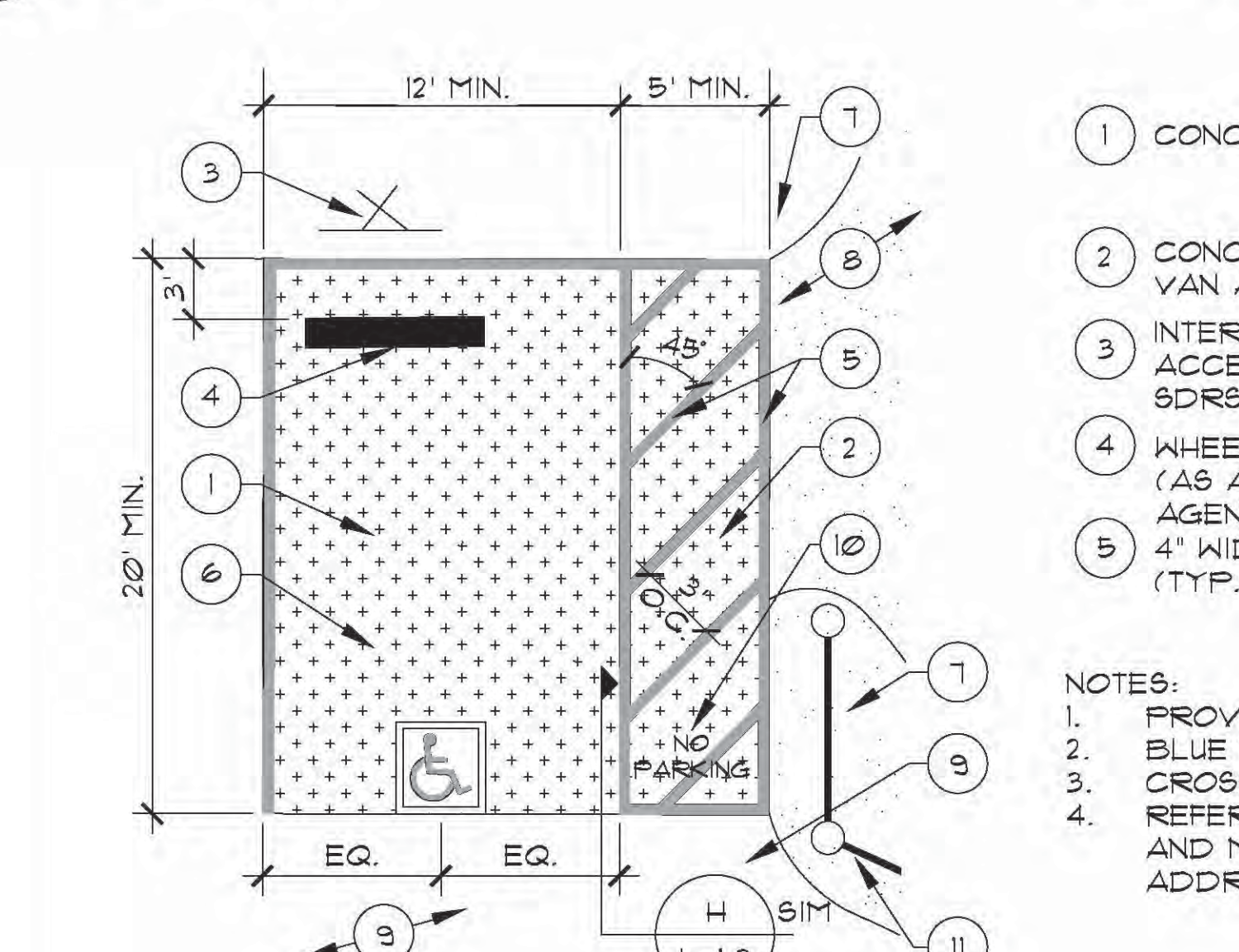
- 1 DECOMPOSED GRANITE (D.G.) WITH STABILIZER - 95% COMPACTION
- 2 MULCH - PROVIDE SMOOTH TRANSITION FROM MULCH D.G.
- 3 90% MIN. COMPACTED SUBGRADE @ PERIMETER & UNDER DECOMPOSED GRANITE
- 4 NATIVE SOIL
- 5 ADDITIVE ALTERNATE - INSTALL 3/8" X 12" STEEL EDGING

G STABILIZED DECOMPOSED GRANITE ACCESS DRIVE
SCALE: 1 1/2"=1'-0"



- 1 DECOMPOSED GRANITE (D.G.) WITH STABILIZER - 95% COMPACTION
- 2 CONCRETE PAVING (VEHICULAR)
- 3 FLUSH
- 4 90% MIN. COMPACTED SUBGRADE UNDER DECOMPOSED GRANITE
- 5 95% COMPACTED AGGREGATE BASE
- 6 NATIVE SOIL

H DECOMPOSED GRANITE ACCESS DRIVE AT CONCRETE PAVING
SCALE: 1 1/2"=1'-0"

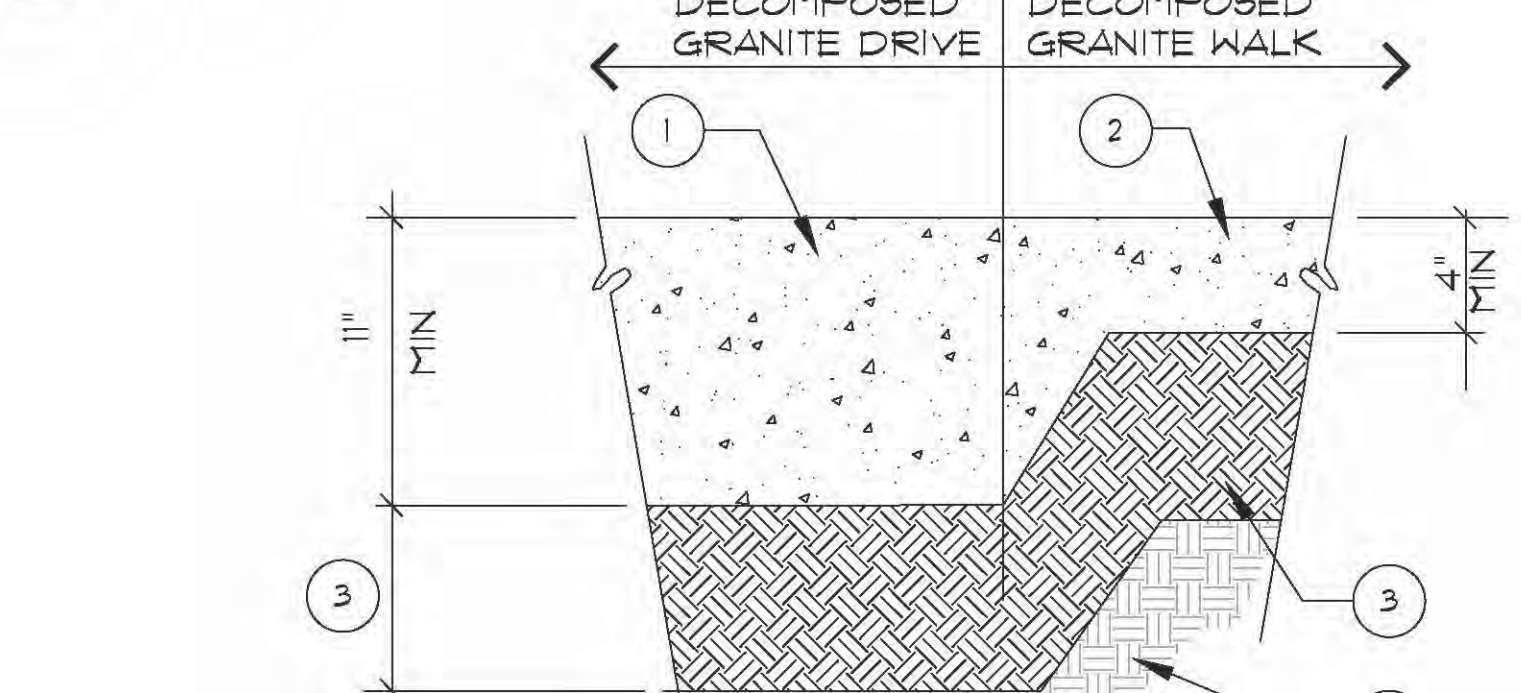


J ACCESSIBLE PARKING
SCALE: 3/16"=1'-0"

- 1 CONCRETE PAVING (L-1.3)
- 2 CONCRETE PAD AT VAN ACCESS AISLE
- 3 INTERNATIONAL SYMBOL OF ACCESSIBILITY SIGN (PER SDRSD #SDM-117)
- 4 WHEEL STOP - PAINTED BLUE (AS APPROVED BY LOCAL AGENCY)
- 5 4" WIDE BLUE PAINT STRIPE (TYP. SYM.)
- 6 TYP. PAVEMENT SYMBOL (PER SDRSD #SDM-117) PAINTED BLUE
- 7 PLANTING AREA
- 8 DECOMPOSED GRANITE WALK (L-1.3)
- 9 ACCESS DRIVE (L-1.3)
- 10 "NO PARKING" IN 12-INCH HIGH STENCIL MARKING, REFLECTIVE WHITE OVER BLUE STRIPES.
- 11 PEELER LOG FENCE PER PLAN (L-1.3)

NOTES:

- PROVIDE FOR ADEQUATE DRAINAGE (SEE CIVIL SHEET B)
- BLUE TRAFFIC PAINT SHALL BE PER SDRSD #SDM-117
- CROSS SLOPE SHALL NOT EXCEED 1.5%
- REFER TO AND IMPLEMENT AS NECESSARY SDRSD NUMBERS #SDM-117 AND M-45 TO ENSURE THAT ALL ADA ISSUES ARE PROPERLY ADDRESSED.



K TRANSITION AT DECOMPOSED GRANITE
SCALE: 1 1/2"=1'-0"

Los Penasquitos/Black Mountain Ranger Station

MWPA
A CALIFORNIA CORPORATION
MW PELTZ + ASSOCIATES
LANDSCAPE ARCHITECTURE
SOLANA BEACH, CALIFORNIA
858.481.0888 / RLA 2010

**Plans for the Construction of
Los Penasquitos/Black Mountain
Ranger Station**

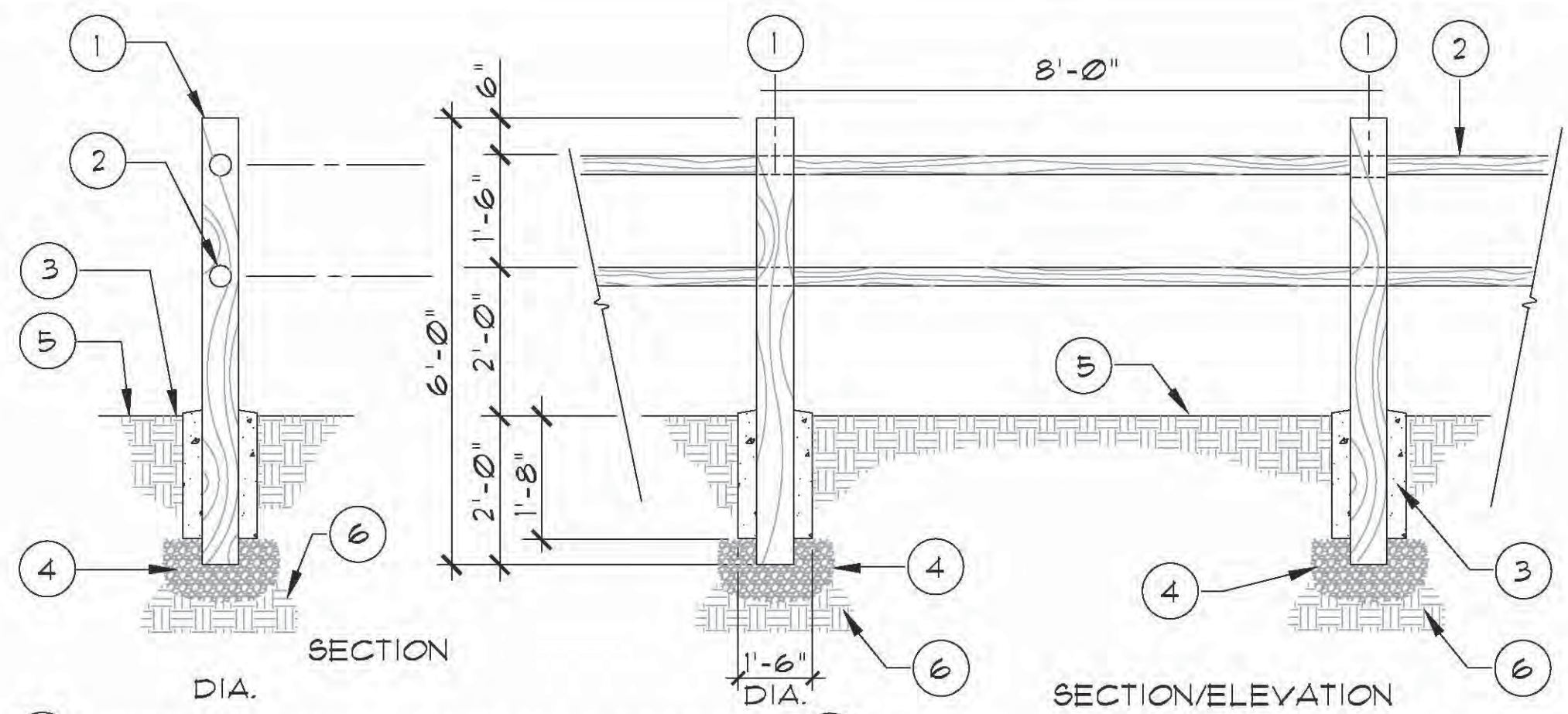
LANDSCAPE CONSTRUCTION DETAILS

CITY OF SAN DIEGO, CALIFORNIA
PUBLIC WORKS DEPARTMENT
SHEET 14 OF 32 SHEETS

WBS: B-00619

APPROVED:		DATE: 7/22/14		SUBMITTED BY: JASON GRANI	
FOR CITY ENGINEER: ALI DARVISHI		DATE: 7/22/14		PROJECT MANAGER: ALI DARVISHI	
PRINT NAME: ALI DARVISHI		DATE: 7/22/14		SECTION HEAD: ALI DARVISHI	
DESCRIPTION: ORIGINAL	BY: MWPA	APPROVED:	DATE:	FILED:	287-1731
					CSS27 COORDINATE
					6292407-1918444
					CSS83 COORDINATE
CONTRACTOR:	DATE STARTED:	35048-14-D			
INSPECTOR:	DATE COMPLETED:				

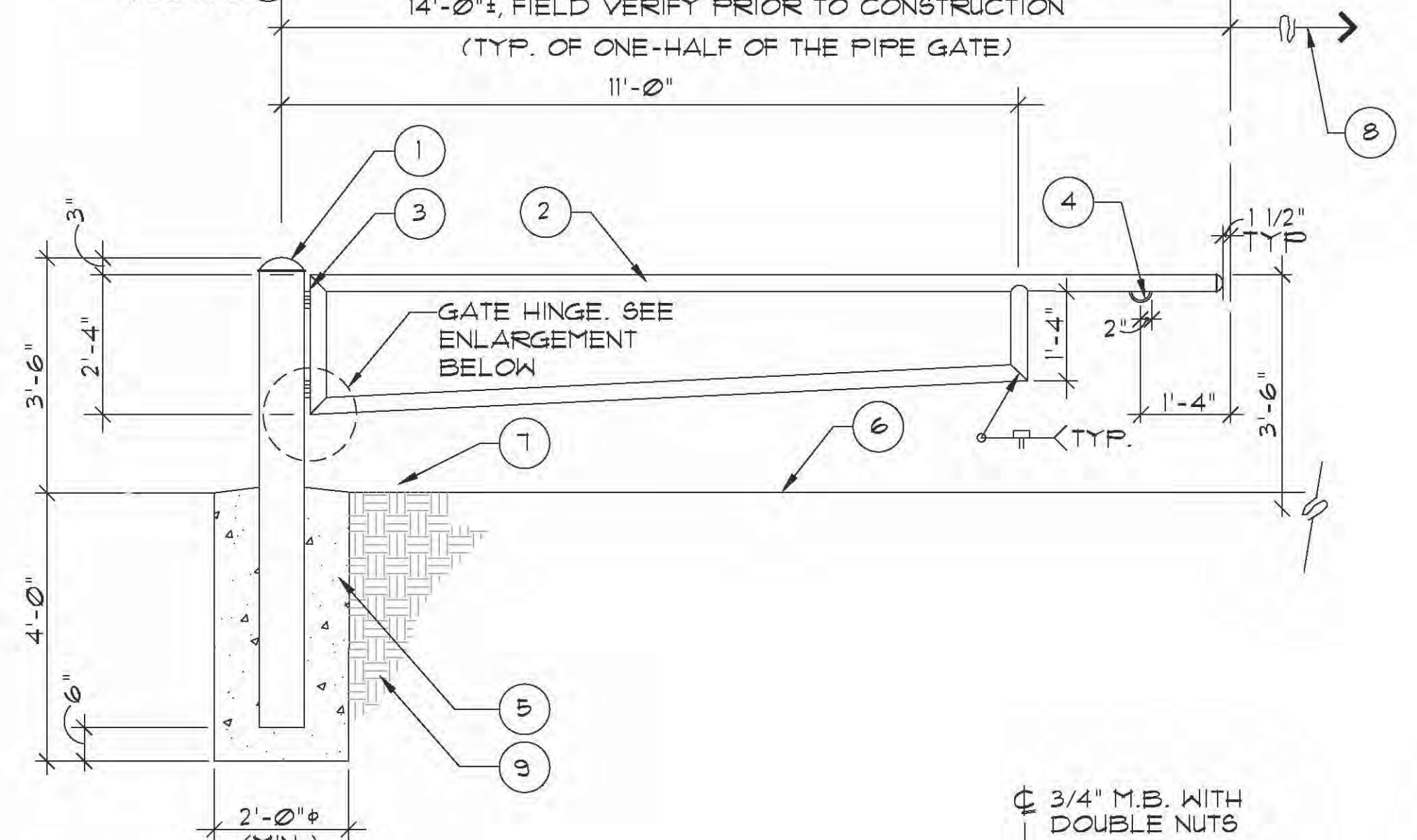
Drawing name: 06004_L1.3.dwg
Date: Jul 16, 2014 - 4:44pm
Drawn by: jhbiers



- 1 PEELER LOG 6" Ø POST (CHAMFERED EDGES @ 45° - TYPICAL)
- 2 PEELER LOG RAIL (3" DIA.) (DOWELED ENDS, TYPICAL)
- 3 CONCRETE FOOTING - SLOPE TOP TO DRAIN (SMOOTH TROWEL ALL EXPOSED SURFACES)
- 4 3/8" Ø AGGREGATE BASE (2-1/2 C.F. MIN.)
- 5 FINISH GRADE
- 6 90% MIN. COMPACTED SUBGRADE (UNDER POST FOOTING ONLY)

A PEELER LOG FENCE

SCALE: 1/2" = 1'-0"

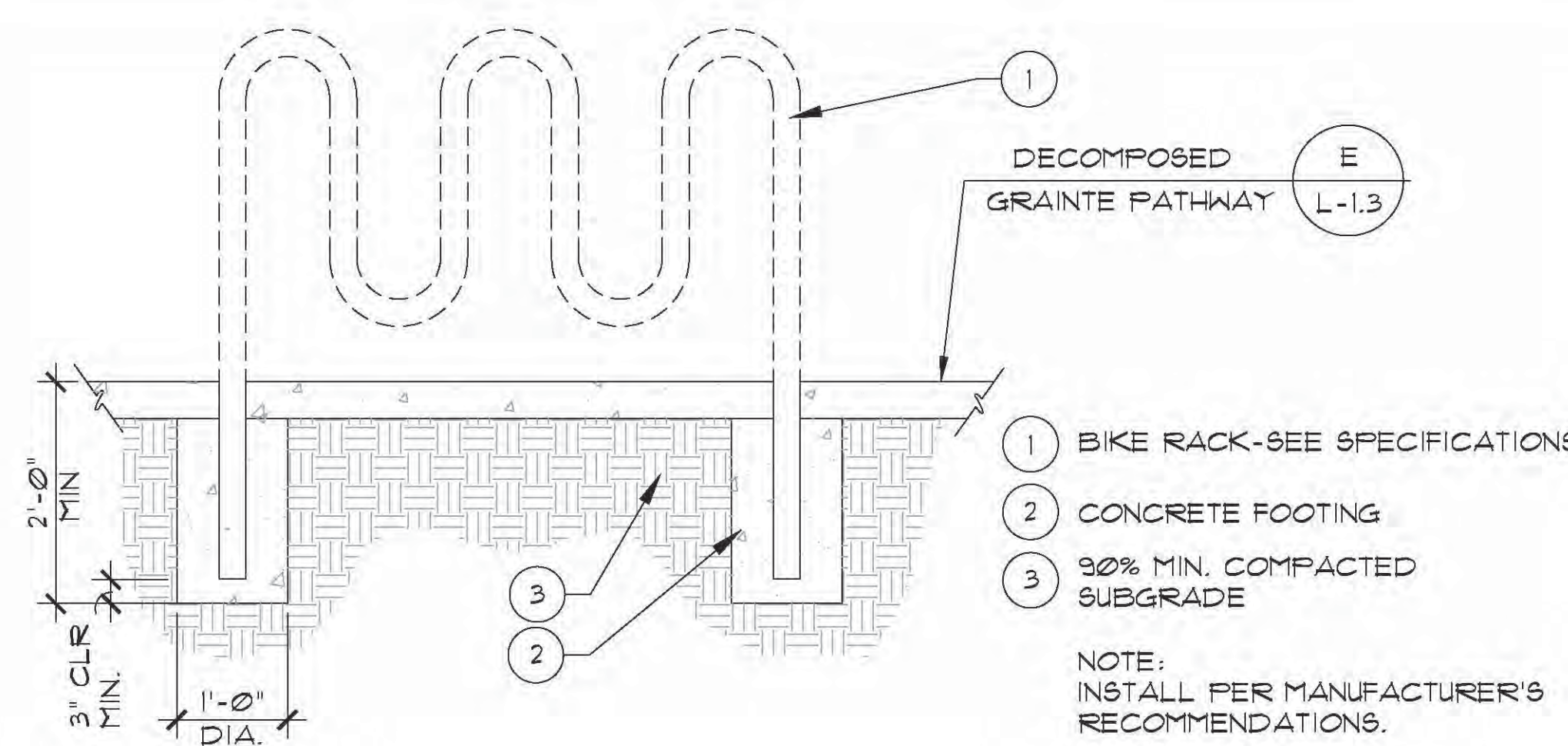


- 1 8" Ø (SCH 40) GALV. STEEL POST & CAP
- 2 3" Ø (SCH 40) GALV. STEEL PIPE (TYP. U.O.N.)
- 3 HEAVY-DUTY GALV. HINGES (TYP. OF 2)
- 4 3/8" Ø GALV. STEEL HALF-LOOP (WELD ALONG Ø OF PIPE)
- 5 CONCRETE FOOTING (PROVIDE 3/4" CHAMFER AT TOP)
- 6 D.G. ACCESS DRIVE (SEE SHEETS T48)
- 7 FINISH GRADE IN PLANTING AREA
- 8 EQUAL OPPOSITE SIDE
- 9 90% COMPACTED SUBGRADE



D ACCESS GATE

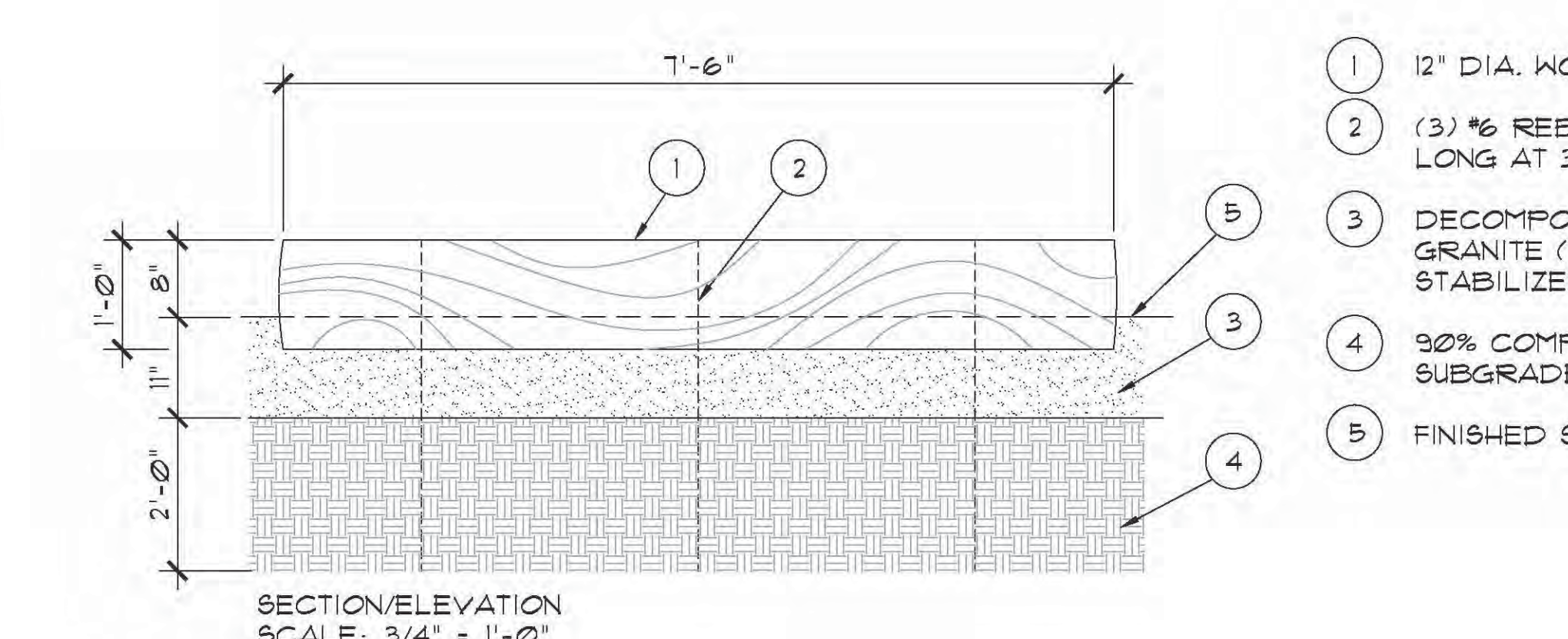
SCALE: 1/2" = 1'-0"



- 1 BIKE RACK-SEE SPECIFICATIONS
- 2 CONCRETE FOOTING
- 3 90% MIN. COMPACTED SUBGRADE

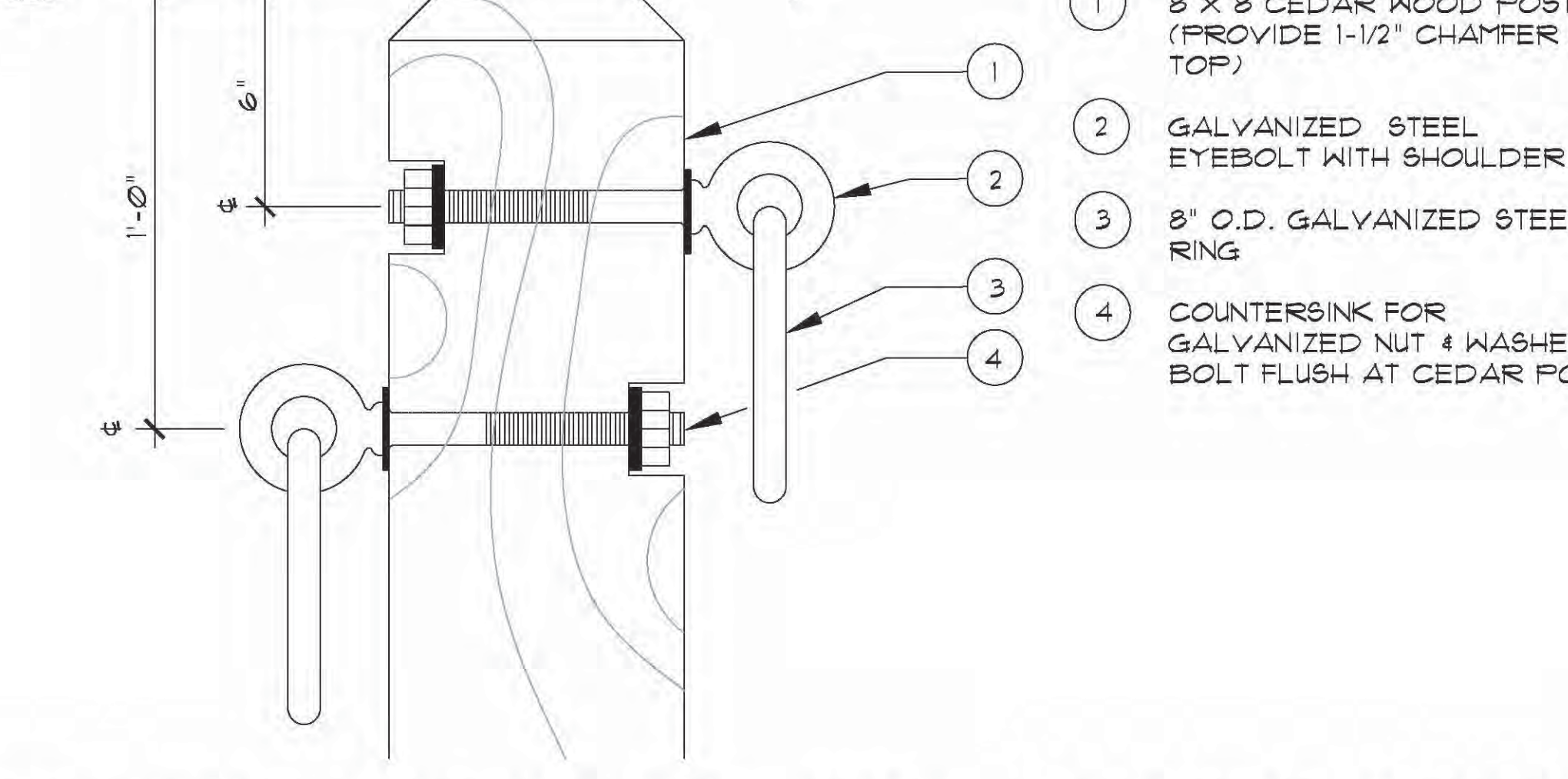
B BIKE RACK

SCALE: 3/4" = 1'-0"



- 1 12" DIA. WOOD LOG
- 2 (3) #6 REBAR X 3' LONG AT 30" O.C.
- 3 DECOMPOSED GRANITE (D.G.) WITH STABILIZER
- 4 90% COMPACTED SUBGRADE
- 5 FINISHED SURFACE

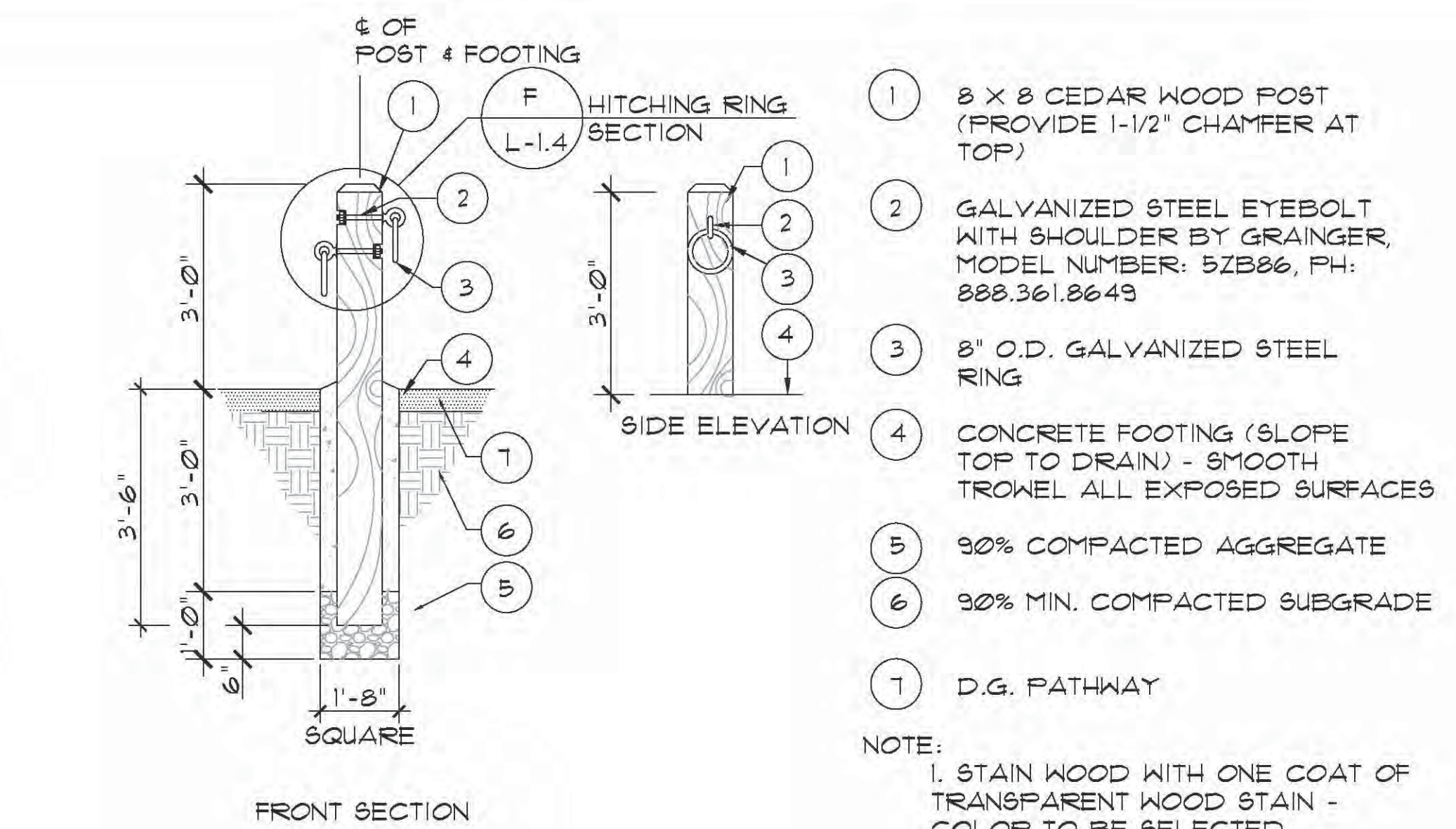
E WOOD WHEEL STOP - ADDITIVE ALTERNATE 'B'



- 1 8 X 8 CEDAR WOOD POST (PROVIDE 1-1/2" CHAMFER AT TOP)
- 2 GALVANIZED STEEL EYEBOLT WITH SHOULDER
- 3 8" O.D. GALVANIZED STEEL RING
- 4 COUNTERSINK FOR GALVANIZED NUT & WASHER - BOLT FLUSH AT CEDAR POST

F HORSE HITCHING POST RING - ADDITIVE ALTERNATE 'C'

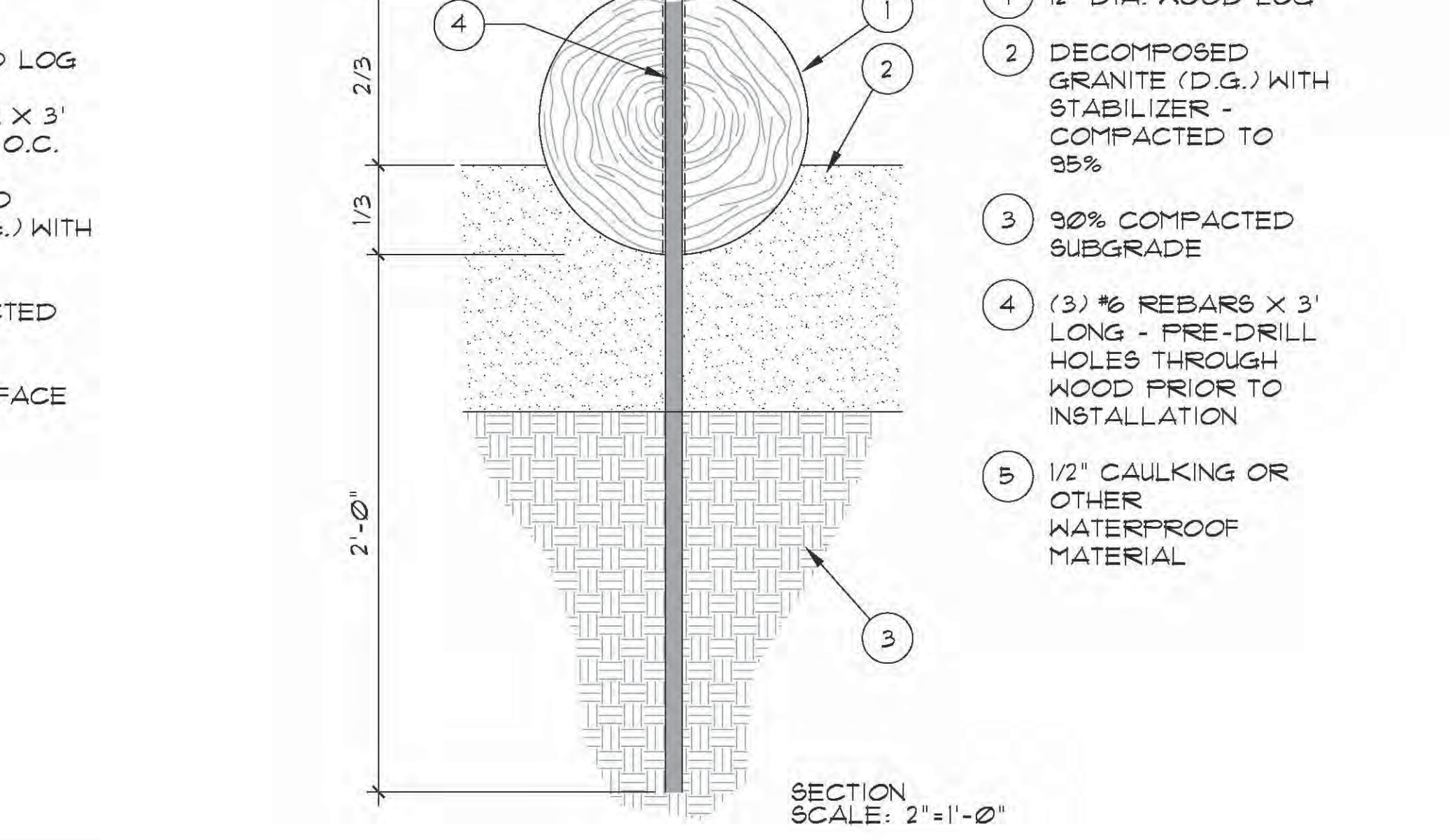
SCALE: 3/4" = 1'-0"



- 1 8 X 8 CEDAR WOOD POST (PROVIDE 1-1/2" CHAMFER AT TOP)
- 2 GALVANIZED STEEL EYEBOLT WITH SHOULDER BY GRAINGER, MODEL NUMBER: 5ZB86, PH: 888.361.8649
- 3 8" O.D. GALVANIZED STEEL RING
- 4 CONCRETE FOOTING (SLOPE TOP TO DRAIN) - SMOOTH TROWEL ALL EXPOSED SURFACES
- 5 90% COMPACTED AGGREGATE
- 6 90% MIN. COMPACTED SUBGRADE
- 7 D.G. PATHWAY

C HORSE HITCHING POST-ADDITIVE ALTERNATE 'C'

SCALE: 1/2" = 1'-0"



- 1 12" DIA. WOOD LOG
- 2 DECOMPOSED GRANITE (D.G.) WITH STABILIZER - COMPACTED TO 95%
- 3 90% COMPACTED SUBGRADE
- 4 (3) #6 REBARS X 3' LONG - PRE-DRILL HOLES THROUGH WOOD PRIOR TO INSTALLATION
- 5 1/2" CAULKING OR OTHER WATERPROOF MATERIAL


E WOOD WHEEL STOP - ADDITIVE ALTERNATE 'B'

SCALE: 2" = 1'-0"

L-1.4

Drawing name: 06004_L1.4.dwg Date: Jul 16, 2014 - 4:45pm Drawn by: jhiers

NOTES:
 1. HOT DIP GALVANIZE ALL METAL. GRIND SMOOTH ALL WELDS AFTER FABRICATION.
 2. PROVIDE SHOP DRAWINGS FOR APPROVAL PRIOR TO CONSTRUCTION.



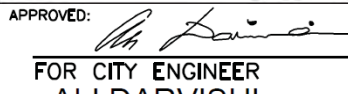
MWPA
 A CALIFORNIA CORPORATION
 MW PELTZ + ASSOCIATES
 LANDSCAPE ARCHITECTURE
 SOLANA BEACH, CALIFORNIA
 858.481.0888 / RLA 2010

**Plans for the Construction of
 Los Penasquitos/Black Mountain
 Ranger Station**

LANDSCAPE CONSTRUCTION DETAILS

L-1.4

CITY OF SAN DIEGO, CALIFORNIA
 PUBLIC WORKS DEPARTMENT
 SHEET 15 OF 32 SHEETS

APPROVED:  7/22/14
 FOR CITY ENGINEER
 ALI DARVISHI
 PRINT NAME

DESCRIPTION	BY	APPROVED	DATE	FILMED
ORIGINAL	MWPA			

WBS: B-00619

SUBMITTED BY:
 JASON GRANI
 PROJECT MANAGER


ALI DARVISHI
 SECTION HEAD

287-1731
 CCS27 COORDINATE

6292407-1918444
 CCS83 COORDINATE

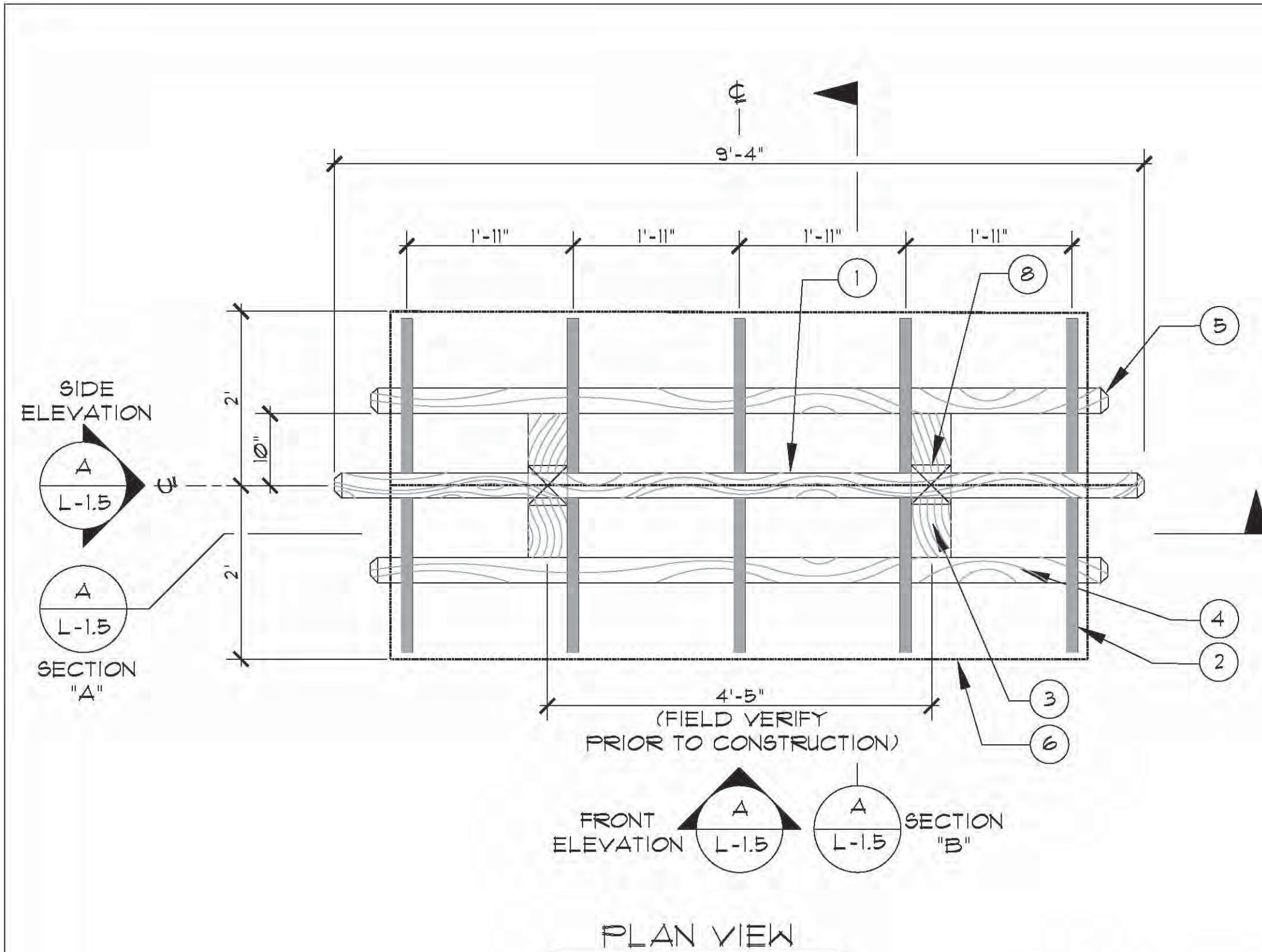
CONTRACTOR: _____ DATE STARTED: _____
 INSPECTOR: _____ DATE COMPLETED: _____

35048-15-D



7/16/14
 MICHAEL W. PELTZ, RLA 2010 DATE

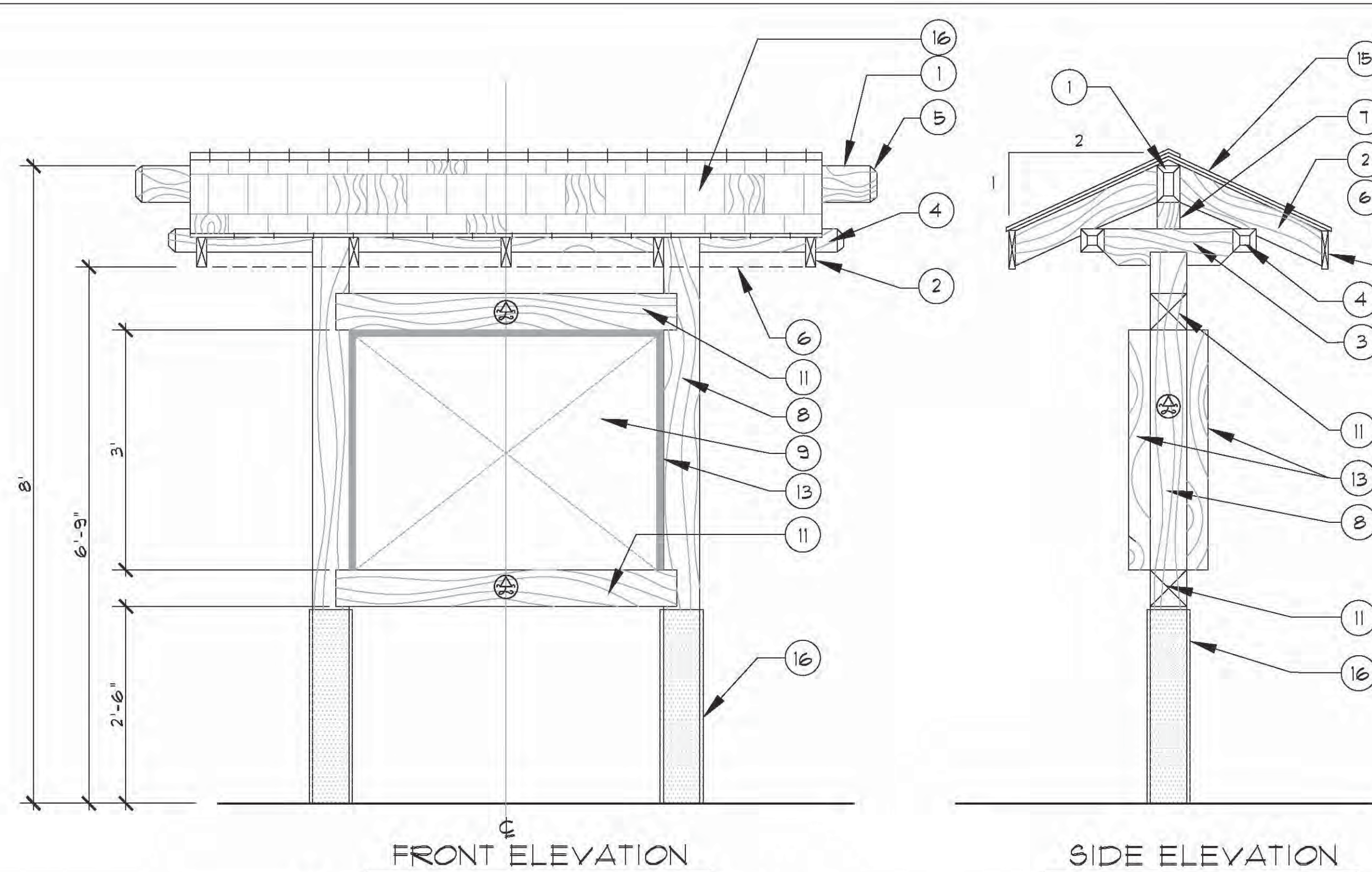
Los Penasquitos/Black Mountain Ranger Station



SIDE ELEVATION
SECTION "A"
L-1.5

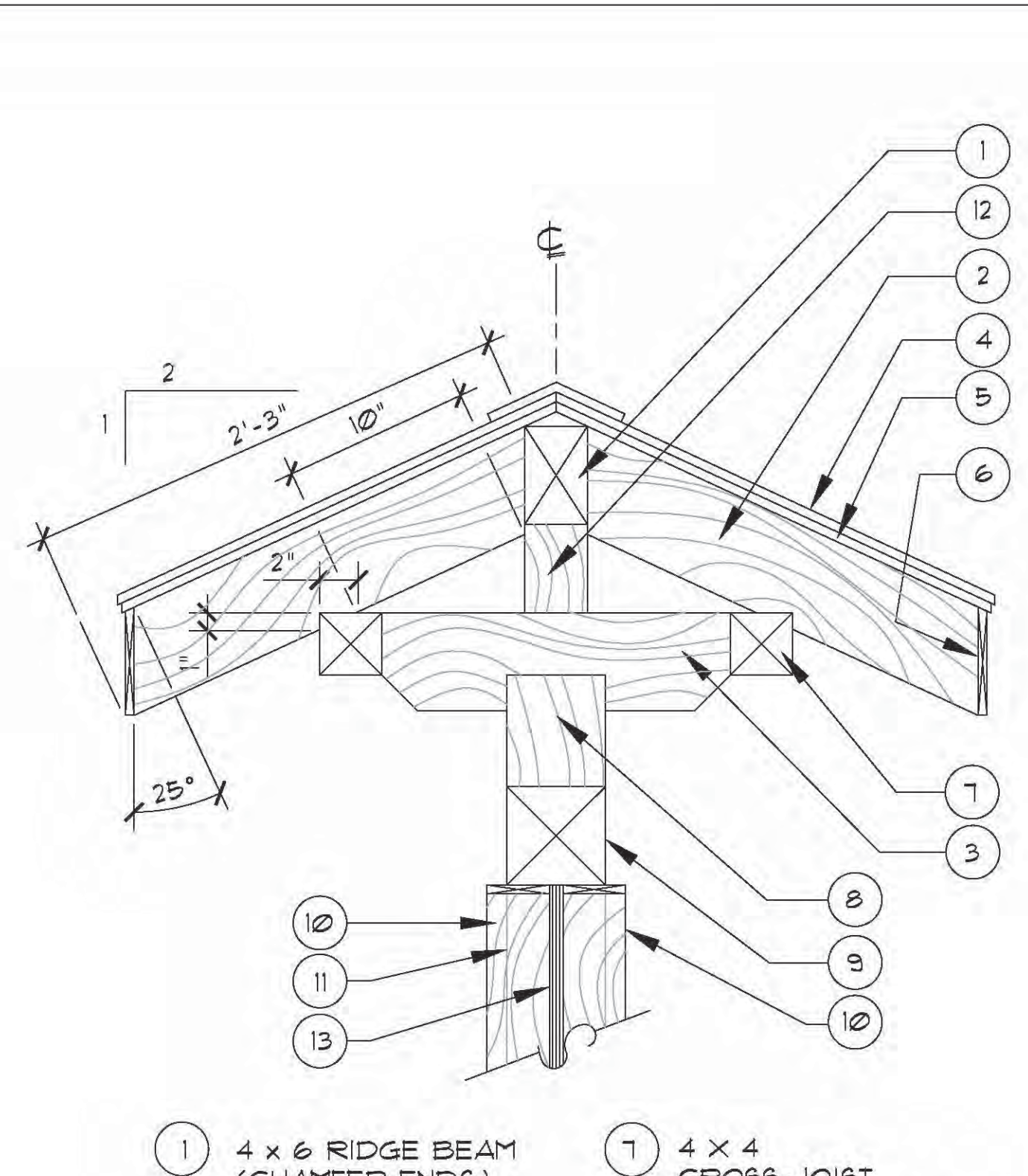
FRONT ELEVATION
SECTION "B"
L-1.5

PLAN VIEW



FRONT ELEVATION

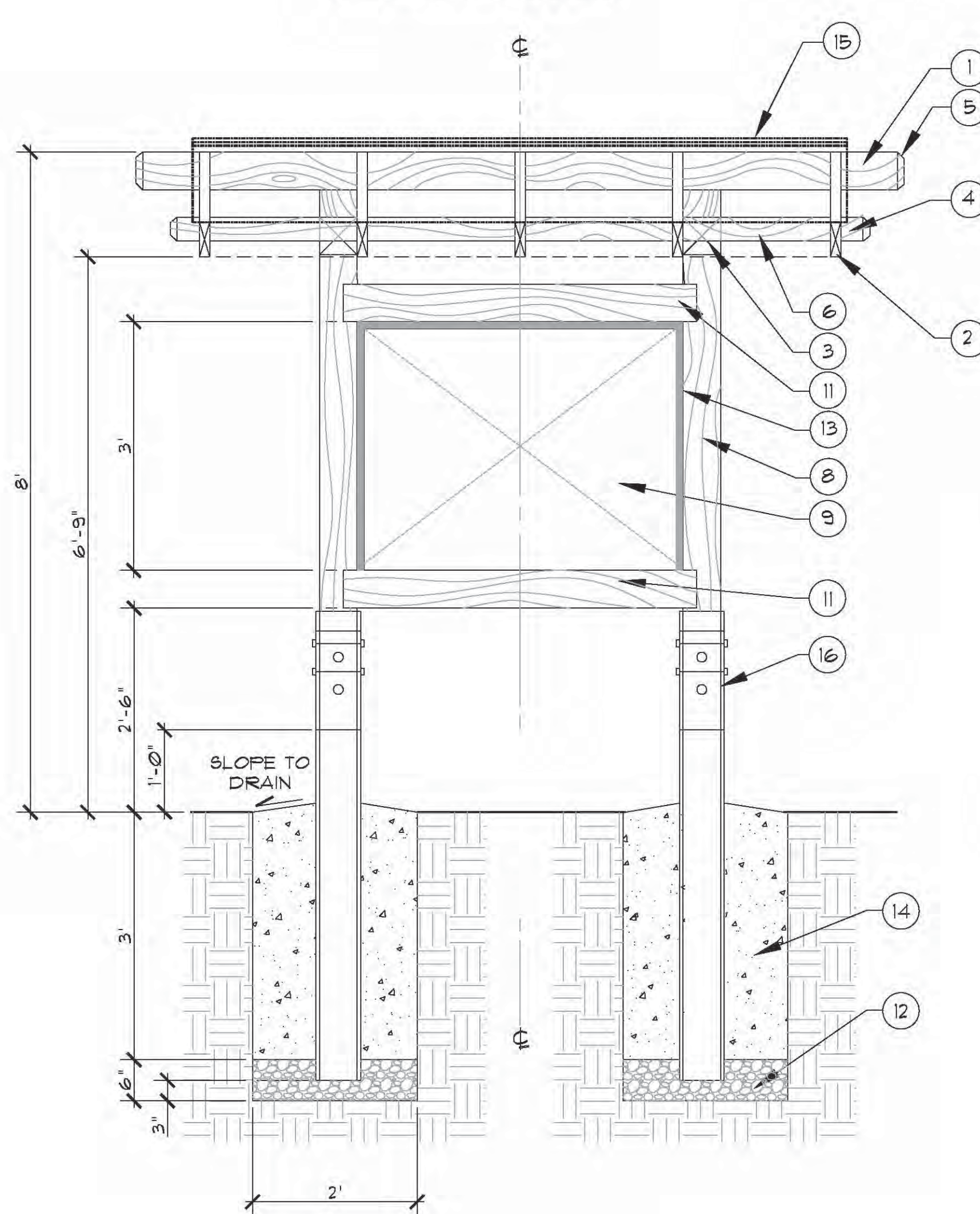
SIDE ELEVATION



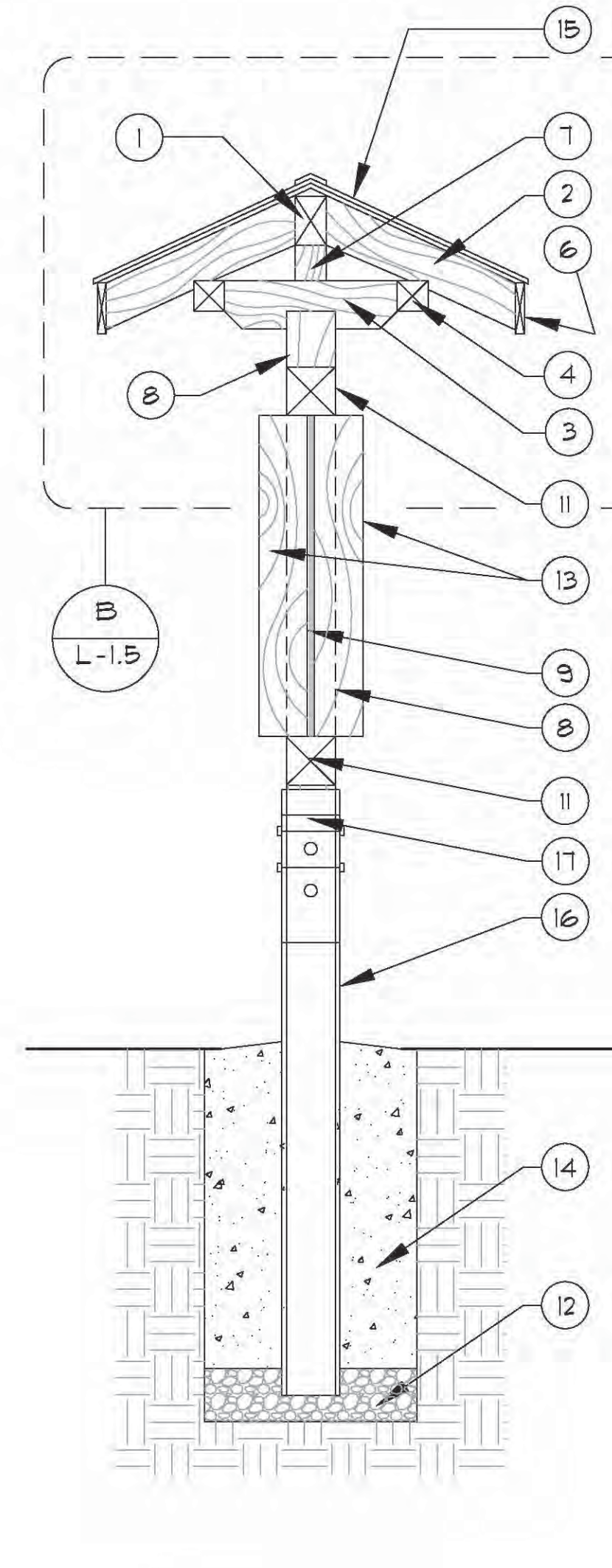
- 1 4 x 6 RIDGE BEAM (CHAMFER ENDS)
- 2 2 x 6 RAFTER - NOTCH ONTO BEAM
- 3 6" x 6" ROOF JOIST
- 4 CEDAR SHAKES
- 5 1/2" THICK PLYWOOD (EXTERIOR GRADE 'B/C' - 'C' SIDE UP)
- 6 1 x 8 FASCIA (TYPICAL 4 SIDES) ATTACH TO RAFTERS WITH GALV. DECK SCREWS - (2) PER RAFTER
- 7 4 x 4 CROSS-JOIST (ATTACH TO JOIST WITH (2) 8" x 1/2" GALV. LAG BOLTS WITH WASHERS)
- 8 6 x 6 POST
- 9 6 x 6 FRAME - NOTCH INTO POST
- 10 1 x 6 TRIM
- 11 6 x 6 POST BEYOND
- 12 4 x 6 RIDGE BEAM SUPPORT
- 13 3/4" PLYWOOD, EXTERIOR GRADE A-B

INFORMATION KIOSK DETAIL - ADDITIVE ALTERNATE 'E'

SCALE: 1-1/2"=1'-0"



SECTION "A"



SECTION "B"

- 1 4 x 6 RIDGE BEAM
- 2 2 x 6 RAFTER ATTACH TO BEAM & CROSS-JOIST WITH (2) GALV. DECK SCREWS (LENGTH AS REQ'D) @ EACH END
- 3 6 x 6 ROOF JOIST
- 4 4 x 4 CROSS-JOIST (ATTACH TO JOIST WITH (2) 8" x 1/2" GALV. LAG BOLTS WITH WASHERS)
- 5 1" CHAMFER ON CROSSJOIST AND BEAM (TYPICAL)
- 6 1 x 8 FASCIA (TYPICAL 4 SIDES) ATTACH TO RAFTERS WITH GALV. DECK SCREWS - (2) PER RAFTER
- 7 4 x 6 RIDGE BEAM SUPPORT
- 8 6 x 6 POST - POST SHALL INSERT INTO STEEL SLEEVE 1'-6", MIN. SILICON EDGE AT CONNECTION, TYP.
- 9 3/4" PLYWOOD, EXTERIOR GRADE A-B
- 10 OMIT
- 11 6 x 6 FRAME - NOTCH INTO POST
- 12 3/8" AGGREGATE
- 13 1 x 4 TRIM - FASTEN WITH 1-1/2" GALV. SCREWS - TRIM TO FIT (TYPICAL ON 3 SIDES IN ELEVATION/BOTH SIDES OF KIOSK)
- 14 CONCRETE FOOTING, TYPICAL
- 15 CEDAR SHAKES
- 16 STEEL POST SLEEVE - FILL WITH CONCRETE
- 17 3/4" GALV. THROUGH BOLTS, (4) PER POST

NOTES:

1. CONTRACTOR SHALL SUBMIT COMPLETE SHOP DRAWINGS FOR APPROVAL PRIOR TO CONSTRUCTION.
2. CONTRACTOR SHALL APPLY (1) COAT OF SEMI-TRANSPARENT STAIN ON ALL WOOD SURFACES. COLOR TO BE SELECTED.
3. CONTRACTOR SHALL APPLY (1) COAT PRIMER AND (2) COATS PAINT ON STEEL POST SLEEVES. COLOR TO BE SELECTED.
4. ALL WOOD SHALL BE CEDAR UNLESS OTHERWISE NOTED.

Michael W. Peltz
MICHAEL W. PELTZ, RLA 2010 DATE 7/16/14

INFORMATION KIOSK - ADDITIVE ALTERNATE 'E'
SCALE: 3/4"=1'-0"

L-1.5



Plans for the Construction of Los Penasquitos/Black Mountain Ranger Station

LANDSCAPE CONSTRUCTION DETAILS

CITY OF SAN DIEGO, CALIFORNIA
PUBLIC WORKS DEPARTMENT
SHEET 16 OF 32 SHEETS

APPROVED: *Ali Darvishi* 7/22/14 DATE
FOR CITY ENGINEER ALI DARVISHI PRINT NAME

DESCRIPTION BY APPROVED DATE FILMED

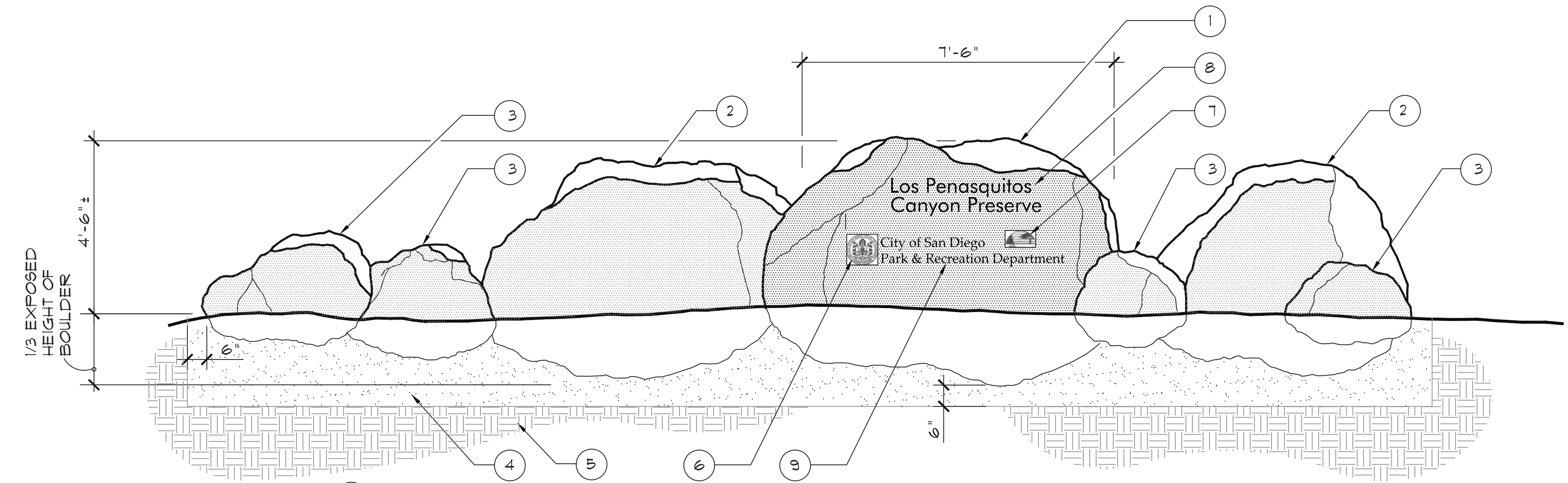
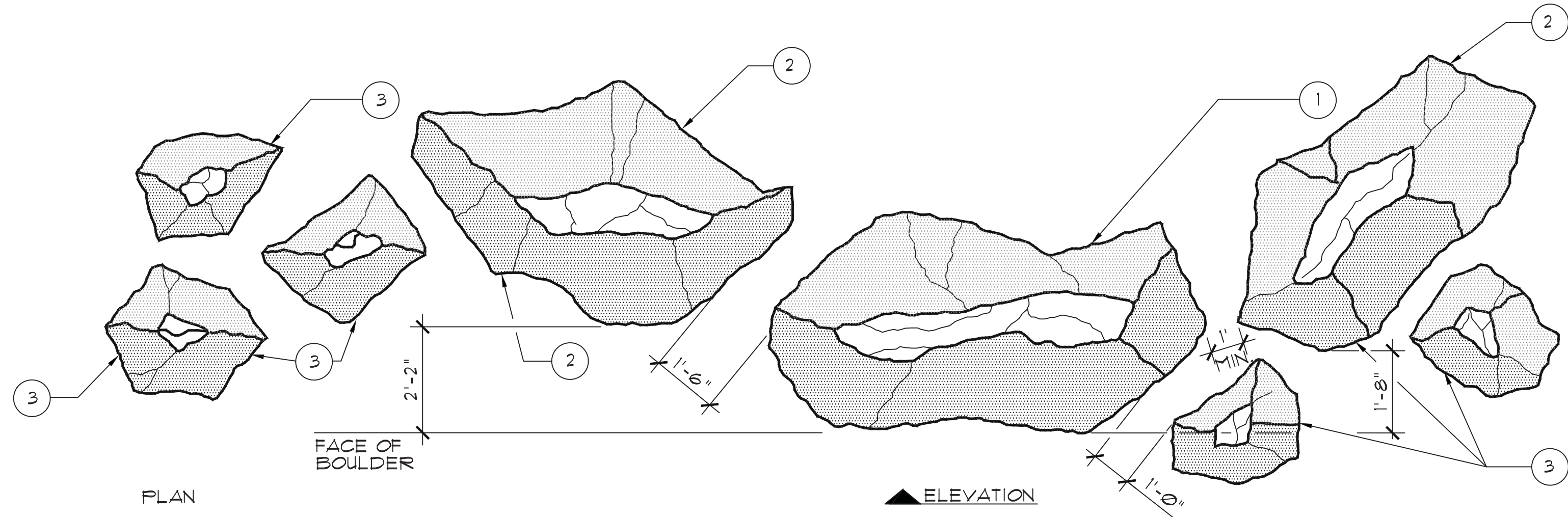
ORIGINAL	MWPA			

CONTRACTOR DATE STARTED 35048-16-D
INSPECTOR DATE COMPLETED



Drawing name: 06004_L1.5.dwg Date: Jul 16, 2014 4:46pm Drawn by: jbyler

Los Penasquitos/Black Mountain Ranger Station

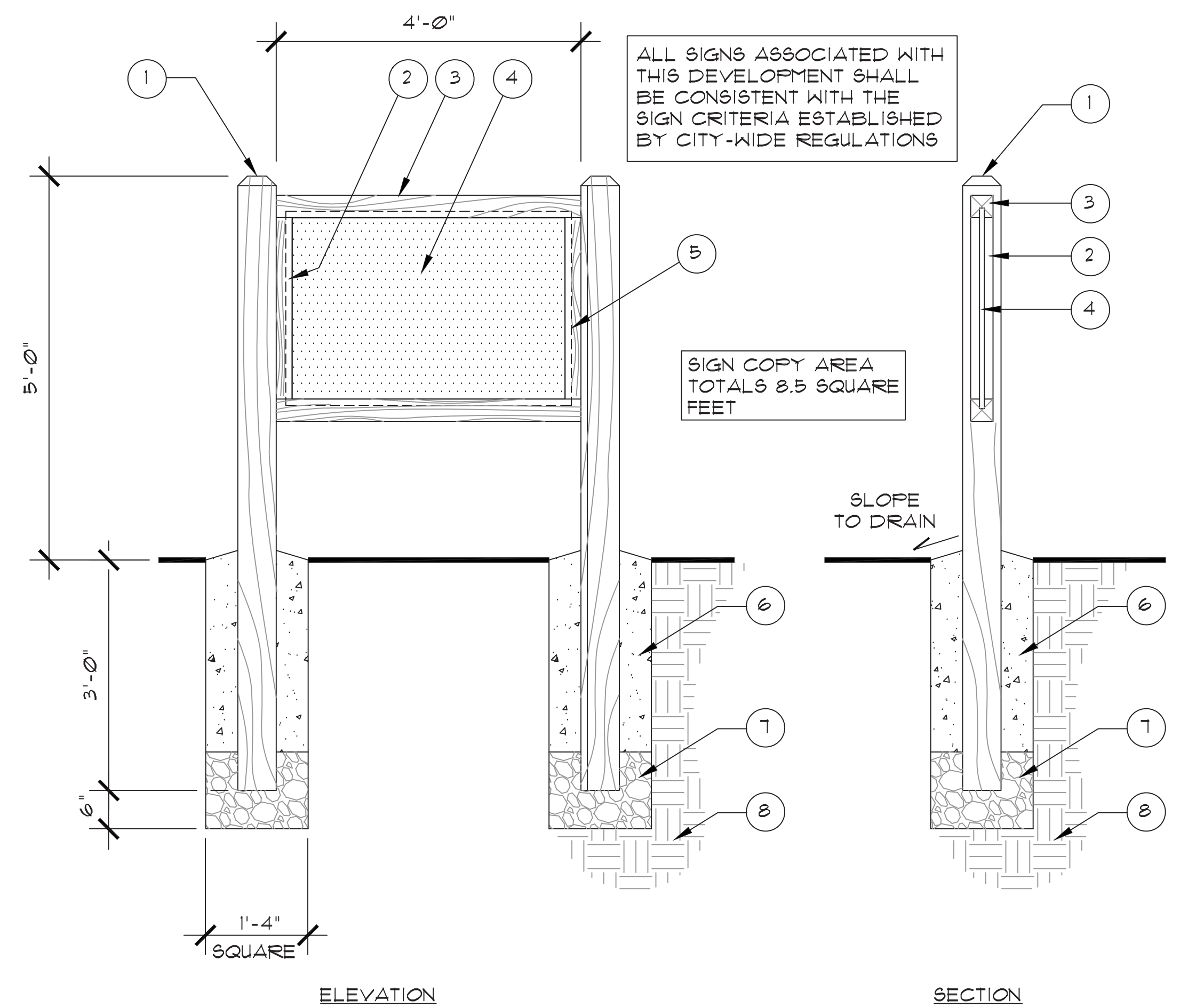


SIGN COPY AREA TOTALS 11.5 SQUARE FEET

ALL SIGNS ASSOCIATED WITH THIS DEVELOPMENT SHALL BE CONSISTENT WITH THE SIGN CRITERIA ESTABLISHED BY CITY-WIDE REGULATIONS

- 1 MONUMENT SIGN BOULDER TO RECEIVE SANDCUT ENGRAVED TEXT AND CAST BRONZE LOGOS - "CEDAR FLATS" BOULDER (ANGULAR) SPECIAL ORDER AT DECORATIVE STONE SOLUTIONS (PH: 1-800-699-1818) OR APPROVED EQUAL (SUBMIT PHOTOS FOR APPROVAL PRIOR TO SHIPPING) VERIFY EXACT LOCATION & POSITION WITH ENGINEER PRIOR TO PLACEMENT. SIZE: 4' WIDE, 9' LONG, 8' TALL.
- 2 MONUMENT BOULDERS - "CEDAR FLATS" BOULDER (ANGULAR) SPECIAL ORDER AT DECORATIVE STONE SOLUTIONS (PH: 1-800-699-1818) OR APPROVED EQUAL (SUBMIT PHOTOS FOR APPROVAL PRIOR TO SHIPPING) VERIFY EXACT LOCATION & POSITION WITH ENGINEER PRIOR TO PLACEMENT.
- 3 BOULDERS IN LANDSCAPE - SEE CONSTRUCTION PLAN, SHEET LC-1, FOR SIZES AND PLACEMENT.
- 4 COMPACTED CLEAN WASHED SAND
- 5 COMPACTED SUBGRADE
- 6 CITY OF SAN DIEGO SEAL
- 7 PARK & RECREATION LOGO
- 8 6" HIGH LETTERING, FONT - ARIAL
- 9 2.75" HIGH LETTERING, FONT - TIMES NEW ROMAN

ADD. ALTERNATE - SANDCUT CITY OF SAN DIEGO AND PARK AND RECREATION LOGOS IN LIEU OF CAST BRONZE

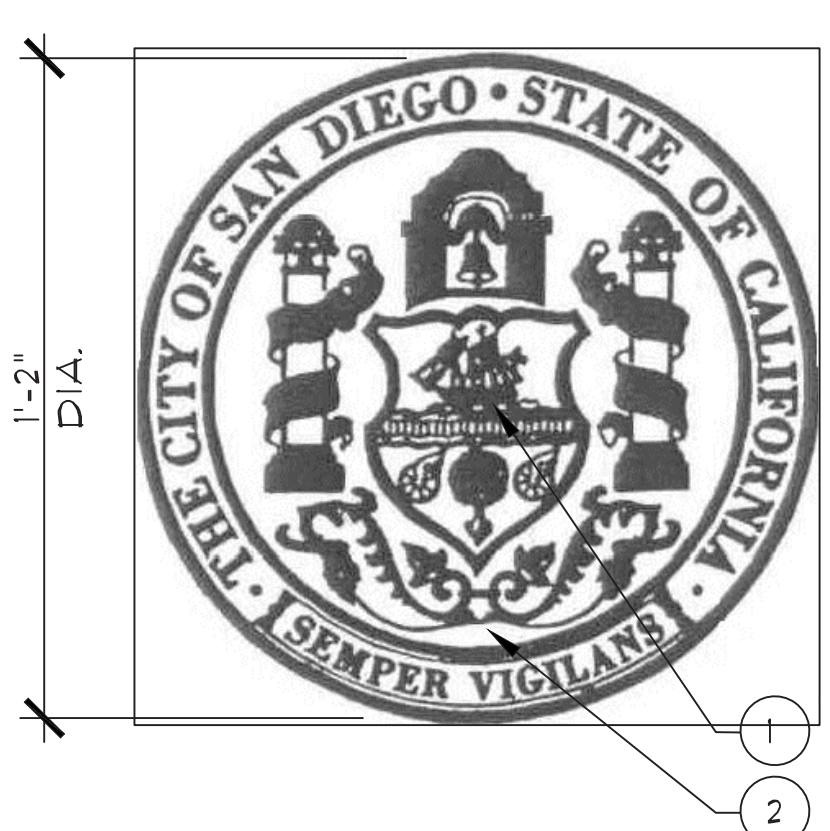


- 1 6 X 6 POST - 1" CHAMFER AT TOP OF POST
- 2 3 X 4 VERTICAL FRAME
- 3 4 X 4 HORIZONTAL FRAME
- 4 3/4" PLYWOOD, EXTERIOR GRADE A-B FOR COPY AREA
- 5 1" NOTCH FOR 3/4" PLYWOOD
- 6 CONCRETE FOOTING
- 7 3/8" AGGREGATE
- 8 90% MIN. COMPACTED SUBGRADE

- NOTES:
- CONTRACTOR SHALL COMPLETE SHOP DRAWINGS FOR APPROVAL PRIOR TO CONSTRUCTION.
 - CONTRACTOR SHALL APPLY (1) COAT OF TRANSPARENT STAIN ON ALL WOOD SURFACES - COLOR TO BE SELECTED.
 - ALL WOOD SHALL BE CEDAR UNLESS OTHERWISE NOTED.

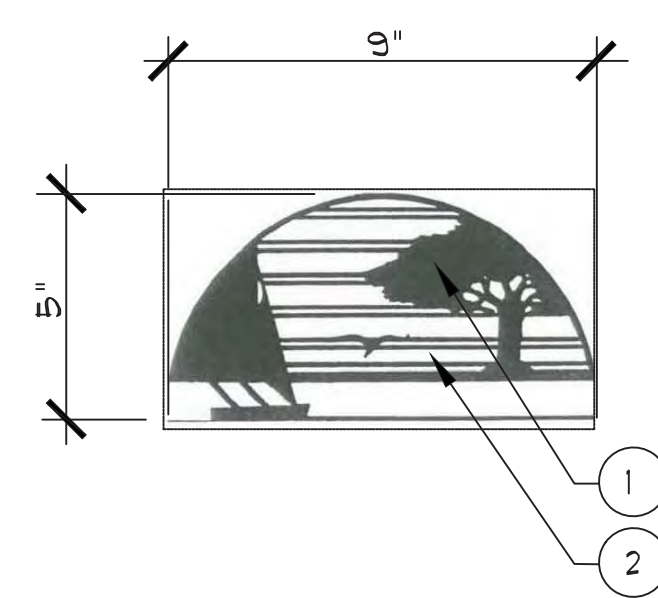
A MONUMENT SIGN
SCALE: 1/2" = 1'-0"

D INTERPRETIVE PANEL
SCALE: 3/4" = 1'-0"



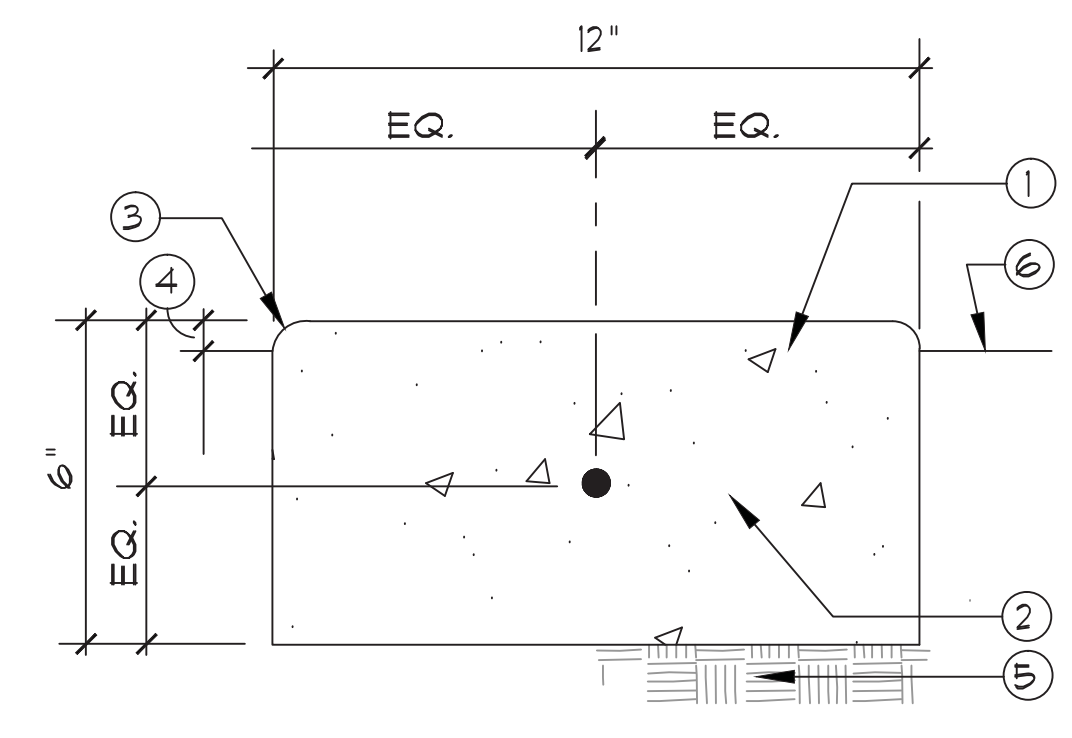
- 1 CITY OF SAN DIEGO SEAL - 1" THICK CAST BRONZE (OXIDIZED FINISH) MOUNT FLUSH WITH FACE OF BOULDER. AVAILABLE THRU 'SHOW AND TELL PRODUCTS' (PH 919.690.8900) OR APPROVED EQUAL
- 2 WHITE AREAS ARE RECESSED 1/2" DEEP

NOTE:
PROVIDE COMPLETE SHOP DRAWINGS PRIOR TO CONSTRUCTION.



- 1 CITY OF SAN DIEGO PARK AND RECREATION DEPARTMENT LOGO - 1" THICK CAST BRONZE (OXIDIZED FINISH) MOUNT FLUSH WITH FACE OF BOULDER. AVAILABLE THRU 'SHOW AND TELL PRODUCTS' (PH 919.690.8900) OR APPROVED EQUAL
- 2 WHITE AREAS ARE RECESSED 1/2" DEEP

NOTE:
PROVIDE COMPLETE SHOP DRAWINGS PRIOR TO CONSTRUCTION.



- 1 CONCRETE BAND WITH LIGHT BROOM FINISH - PROVIDE SCORE JOINTS @ 6'-0" O.C. MAX.
- 2 #3 REBAR CONTINUOUS (LAP 12" @ SPLICES)
- 3 1/4" RADIUS, TYPICAL
- 4 1/4"
- 5 90% MIN. COMPACTED SUBGRADE - UNDER BAND ONLY
- 6 FINISH SURFACE OF ADJACENT DECOMPOSED GRANITE

E CONCRETE BAND - PARKING
NO SCALE

B CITY SEAL
SCALE: 3" = 1'-0"

C PARKS & RECREATION LOGO
SCALE: 3" = 1'-0"

L-1.6

**Plans for the Construction of
Los Penasquitos/Black Mountain
Ranger Station**

LANDSCAPE CONSTRUCTION DETAILS

CITY OF SAN DIEGO, CALIFORNIA PUBLIC WORKS DEPARTMENT SHEET 17 OF 32 SHEETS		WBS B-00619
APPROVED:	7/22/14 DATE	SUBMITTED BY: JASON GRANI PROJECT MANAGER
FOR CITY ENGINEER ALI DARVISHI PRINT NAME		ALI DARVISHI SECTION HEAD
DESCRIPTION	BY	APPROVED
ORIGINAL	MWPA	
		DATE
		FILMED
		287-1731
		CCS27 COORDINATE
		6292407-1918444
		CCS83 COORDINATE
CONTRACTOR	DATE STARTED	35048-17-D
INSPECTOR	DATE COMPLETED	

Drawing name: 06004_L1.6.dwg Date: Jul 16, 2014 5:00pm Drawn by: hpiencia

MICHAEL W. PELTZ, RLA 2010 DATE 7/16/14

Los Penasquitos/Black Mountain Ranger Station

IRRIGATION POINT OF CONNECTION:

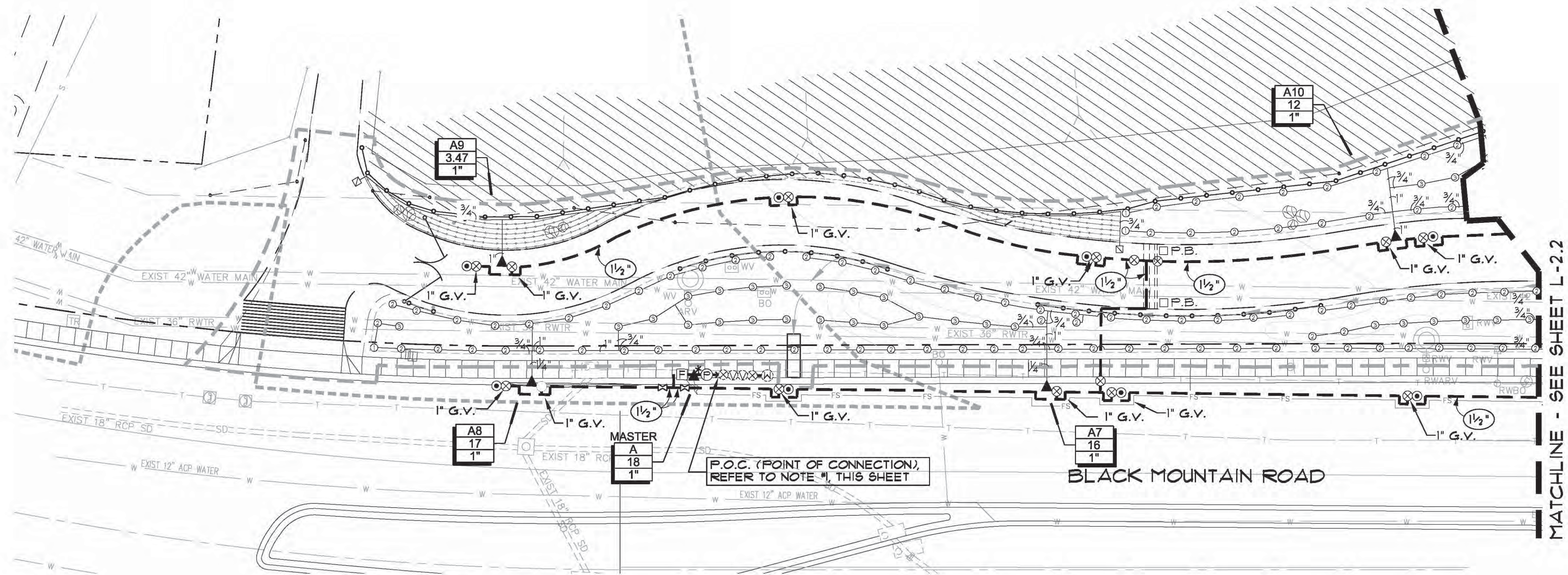
- 1/2" EXISTING POTABLE WATER METER INSTALLED BY CITY FORCES
- 1" BACKFLOW PREVENTER
- 1" MASTER VALVE (NORMALLY OPEN)
- 1" FLOW SENSOR

STATIC WATER PRESSURE 4'-197 PSI
 (OBTAINED FROM THE CITY OF SAN DIEGO, WATER UTILITIES DEPARTMENT, 06/06/12)
 DESIGN WATER PRESSURE 78 PSI
 MAXIMUM FLOW 18 GPM
 PRESSURE REGULATOR SETTING AT P.O.C. 90 PSI

POINT OF CONNECTION TO EXISTING 1/2" POTABLE WATER METER INSTALLED BY CITY FORCES. LOCATION OF WATER METER APPROXIMATELY WHERE SHOWN, REFER TO THE CIVIL ENGINEER'S PLAN FOR EXACT LOCATION. CONTRACTOR SHALL PROVIDE ALL REQUIRED FITTINGS TO COMPLETE THE CONNECTION TO THE WATER METER. CONTRACTOR SHALL RUN A 2" COPPER TYPE 'K' LINE FROM THE WATER METER THROUGH THE RELATED AFFURTENANCES THEN TRANSITION TO PVC FOR THE REST OF THE SYSTEM. REFER TO THE EQUIPMENT LIST ABOVE FOR THE METER SIZE, BACK-FLOW PREVENTION DEVICE SIZE, AND MAXIMUM FLOW. PRESSURE REGULATOR IS FACTORY SET TO 85 PSI, CONTRACTOR SHALL ADJUST TO 90 PSI TO PROVIDE PROPER PRESSURE TO WORST CASE VALVE AS SHOWN IN PRESSURE LOSS CALCULATION.

IRRIGATION NOTES:

1. THE CONTRACTOR SHALL PROVIDE ALL REQUIRED COPPER PIPE AND FITTINGS TO COMPLETE THE CONNECTION FROM THE WATER METER THROUGH THE RELATED AFFURTENANCES AND BACKFLOW DEVICE.
2. THE IRRIGATION SYSTEM WAS DESIGNED BASED ON A STATIC WATER PRESSURE OF 197 PSI (PER THE CITY OF SAN DIEGO, WATER UTILITIES DEPARTMENT, 06/06/12) AND THE MAXIMUM FLOW AT THE POINT OF CONNECTION. CONTRACTOR SHALL VERIFY EXISTING STATIC WATER PRESSURE PRIOR TO COMMENCING WORK. IF STATIC WATER PRESSURE IS LESS THAN 197 PSI THEN CONTRACTOR SHALL NOTIFY THE LANDSCAPE ARCHITECT IMMEDIATELY FOR DIRECTION ON HOW TO PROCEED. FAILURE TO NOTIFY THE LANDSCAPE ARCHITECT SHALL PLACE ALL REQUIRED REPAIRS/EQUIPMENT AND OTHER RELATED COST AS THE FULL RESPONSIBILITY OF THE IRRIGATION CONTRACTOR. SEE HYDRAULIC CALCULATION, SHEET L-2.4.
3. CONTRACTOR TO INSTALL VALVES IN SHRUB AREAS ONLY. CONTRACTOR SHALL NOT INSTALL VALVES AT MAIN ENTRANCES OR AREAS OF HIGH VISIBILITY. VERIFY LOCATIONS IN THE FIELD WITH OWNER'S AUTHORIZED REPRESENTATIVE PRIOR TO COMMENCING WORK.
4. LATERAL LINES ARE SHOWN WITHIN PAVING FOR CLARITY ONLY. ACTUAL LOCATION TO BE WITHIN PLANTER. CONTRACTOR SHALL CONFIRM ALL LAYOUT IN FIELD WITH OWNER'S AUTHORIZED REPRESENTATIVE PRIOR TO COMMENCING WORK.
5. MAINLINE SHOWN WITHIN PAVING AND BUILDING FOR CLARITY ONLY. ACTUAL MAINLINE LOCATION TO BE A MINIMUM OF 18" OFF ADJACENT HARDSCAPE AND OTHER OBSTACLES, TYP.
6. IRRIGATION SYSTEMS ARE TO BE INSTALLED AS SHOWN IN THE DETAILS AND SPECIFICATIONS. CONTRACTOR SHALL BE RESPONSIBLE TO COMPLY WITH LOCAL CITY, COUNTY, AND STATE REQUIREMENTS FOR BOTH EQUIPMENT AND INSTALLATION.
7. CONTRACTOR SHALL ADJUST IRRIGATION HEAD LAYOUT AS REQUIRED TO ACCOMMODATE ANY VERTICAL OBSTRUCTIONS THAT MAY OCCUR, INCLUDING BUT NOT LIMITED TO LIGHT POLES, FIRE HYDRANTS, ETC. VERIFY ALL HEAD LAYOUT WITH OWNER'S AUTHORIZED REPRESENTATIVE PRIOR TO COMMENCING WORK.
8. FULL (2) SPARE CONTROL WIRES AND THE COMMON WIRE FROM CONTROLLER TO ALL NEW MAINLINE END RUNS. LOOP IN ALL NEW REMOTE CONTROL VALVE BOXES ALONG NEW MAINLINE RUN. MAKE WIRE ENDS WATERPROOF, TAPE AND LABEL AS "SPARE WIRES", AND PLACE 10' COIL INSIDE VALVE BOX, TYPICAL.
9. VERIFY EXACT LOCATION OF ALL UNDERGROUND UTILITIES AND ABOVE GROUND OBSTACLES WITHIN THE WORK AREA PRIOR TO START OF CONSTRUCTION. IF A CONFLICT EXISTS BETWEEN OBSTACLES AND THE PROPOSED WORK, CONTRACTOR SHALL PROMPTLY NOTIFY LANDSCAPE ARCHITECT TO ARRANGE FOR RELOCATIONS, IF REQUIRED, PRIOR TO START OF CONSTRUCTION.
10. CONTRACTOR SHALL PROTECT EXISTING IRRIGATION SYSTEMS ADJACENT TO THE CONSTRUCTION SITE TO THE MAXIMUM EXTENT POSSIBLE. CONTRACTOR SHALL CUT AND CAP ANY EXISTING IRRIGATION SYSTEMS ENTERING THE WORK AREA AND MAKE THE NECESSARY MODIFICATIONS/ REPAIRS TO PROVIDE CONTINUED AND COMPLETE WATER COVERAGE TO EXISTING PLANT MATERIAL.
11. AT NO TIME SHALL IRRIGATION SERVICE TO EXISTING PLANTING OUTSIDE OF LIMIT OF WORK BE INTERRUPTED. ALLOW ONLY TEMPORARY INTERRUPTION AS REQUIRED FOR MODIFICATIONS/ REPAIRS TO AFFECTED IRRIGATION SYSTEMS.

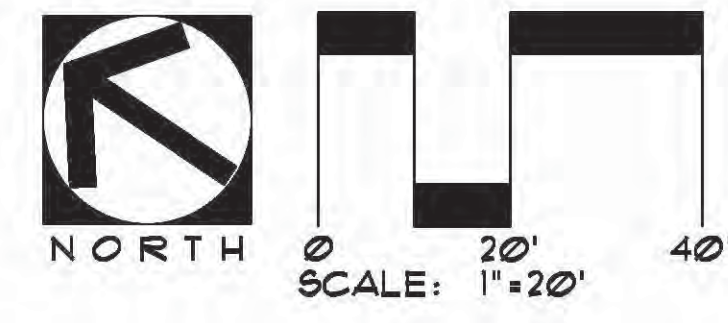


L-2.1

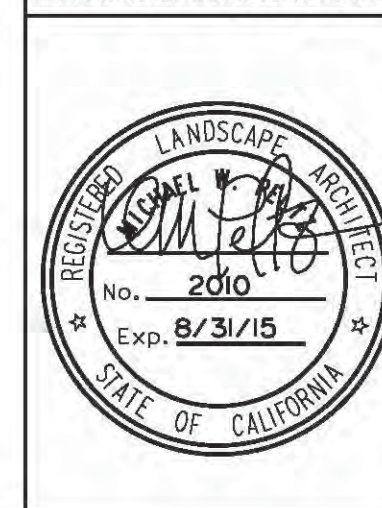
APPLICANT'S STATEMENT OF COMPLIANCE

"I AM FAMILIAR WITH THE REQUIREMENTS FOR LANDSCAPE AND IRRIGATION PLANS CONTAINED IN THE CITY'S WATER EFFICIENT LANDSCAPE REGULATIONS. I HAVE PREPARED THIS PLAN IN COMPLIANCE WITH THOSE REGULATIONS AND THE LANDSCAPE DESIGN MANUAL. I CERTIFY THAT THE PLAN IMPLEMENTS THOSE REGULATIONS TO PROVIDE EFFICIENT USE OF WATER"

Michael W. Peltz
 APPLICANT SIGNATURE DATE 07/16/14



Michael W. Peltz
 MICHAEL W. PELTZ, RLA 2010 DATE 7/16/14



Plans for the Construction of Los Penasquitos/Black Mountain Ranger Station

LANDSCAPE IRRIGATION PLAN

CITY OF SAN DIEGO, CALIFORNIA PUBLIC WORKS DEPARTMENT SHEET 18 OF 32 SHEETS		WBS B-00619
APPROVED: <i>Ali Darvishi</i> FOR CITY ENGINEER ALI DARVISHI PRINT NAME	7/22/14 DATE	SUBMITTED BY: JASON GRANI PROJECT MANAGER
DESCRIPTION	BY	APPROVED
ORIGINAL	MWPA	
CONTRACTOR		DATE STARTED
INSPECTOR		DATE COMPLETED
		287-1731 CCS27 COORDINATE 6292407-1918444 CCS83 COORDINATE
		35048-18-D

Drawing name: 11-016 IP 062 Date: Jul 17, 2014 10:36am Drawn by: mmo

Los Penasquitos/Black Mountain Ranger Station

DRIP EMITTER CHART

PLANT TYPE	CANOPY DIAMETER (FEET)	NUMBER OF EMITTERS	EMITTER FLOW RATE (GPH)
SMALL SHRUBS/ GROUNDCOVER	1 GAL.	1	1
LARGE SHRUBS	5 GAL.	2	2

NOTE:
VALVE CALLOUTS REFLECT EMITTERS AT FULL FLOW (0.2 GALLONS-PER-MINUTE). BASED ON THE CHART ABOVE, THE CONTRACTOR SHALL PROVIDE THE CORRECT NUMBER OF EMITTERS WITH THE PROPER FLOW RATE FOR EACH SHRUB ACCORDING TO SIZE.

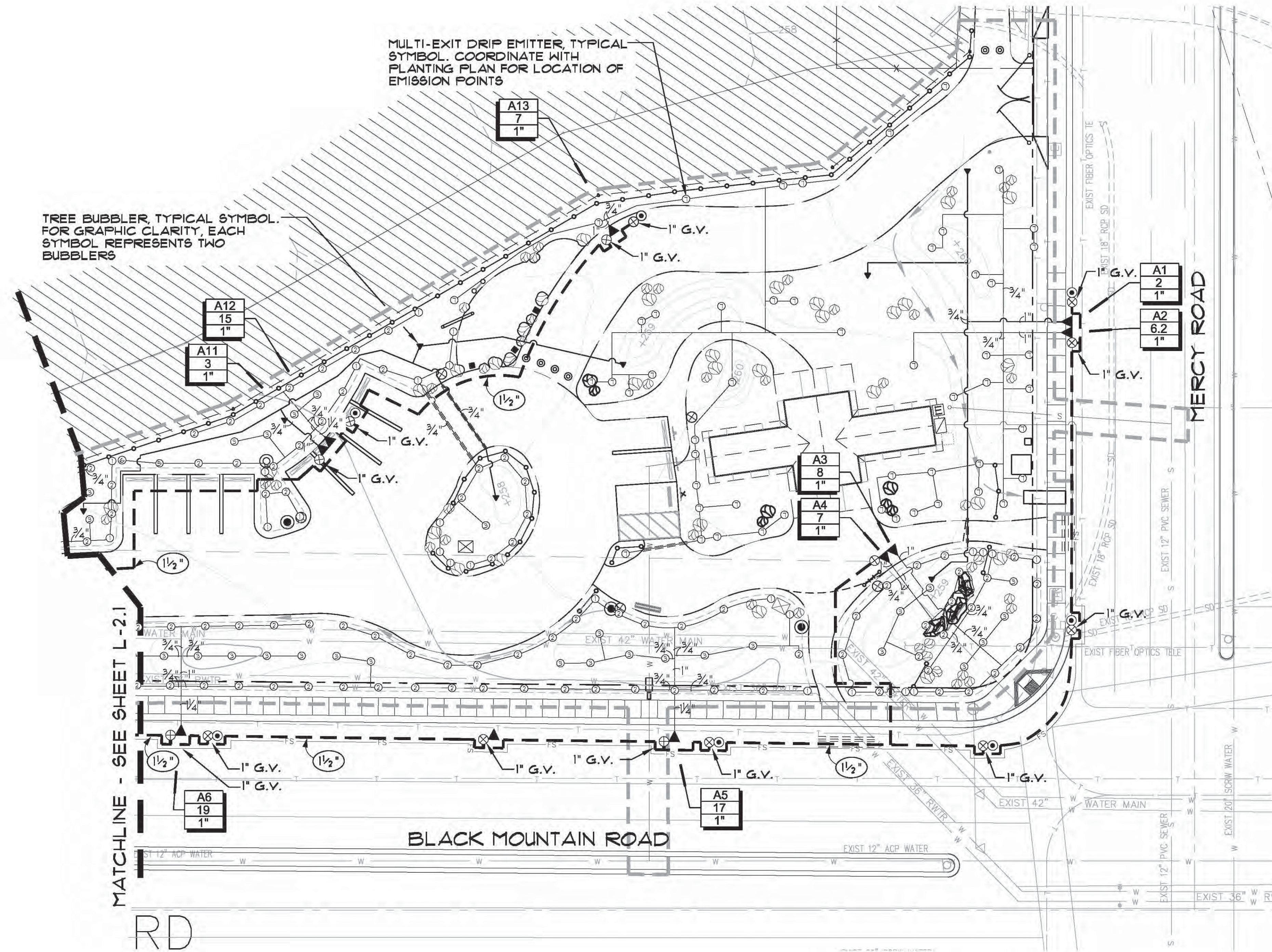
IRRIGATION CONTROLLER:

CONTROLLER SHALL BE PEDESTAL-MOUNTED UNIT INSIDE A STAINLESS STEEL ENCLOSURE, 20A, 115VAC POWER REQUIREMENT PROVIDED BY ELECTRICAL CONTRACTOR. FINAL LOCATION OF CONTROLLER, ELECTRICAL FOC, AND APPURTENANCES SHALL BE CONFIRMED WITH OWNER'S AUTHORIZED REPRESENTATIVE PRIOR TO COMMENCING WORK. REFER TO CIVIL DRAWINGS FOR EXACT LOCATION OF ELECTRICAL POINT OF CONNECTION.

CONTROLLER "A"
18 AVAILABLE STATIONS
13 STATIONS USED

REMOTE CONTROL VALVE CALLOUT:

STATION SEQUENCE — A1 — APPROX. GPM
VALVE SIZE — 12 — 1"



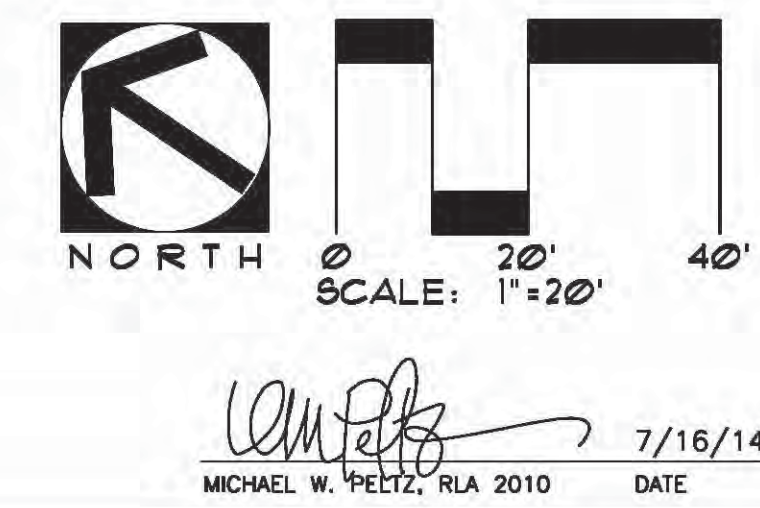
L-2.2



**Plans for the Construction of
Los Penasquitos/Black Mountain
Ranger Station**

LANDSCAPE IRRIGATION PLAN

CITY OF SAN DIEGO, CALIFORNIA PUBLIC WORKS DEPARTMENT SHEET 19 OF 32 SHEETS		WBS B-00619
APPROVED:	7/22/14 DATE	SUBMITTED BY: JASON GRANI PROJECT MANAGER
FOR CITY ENGINEER ALI DARVISHI PRINT NAME		ALI DARVISHI SECTION HEAD
7 DESCRIPTION	BY APPROVED DATE FILMED	287-1731 CCS27 COORDINATE
ORIGINAL MWPA		6292407-1918444 CCS83 COORDINATE
CONTRACTOR	DATE STARTED	35048-19-D
INSPECTOR	DATE COMPLETED	



Drawing name: 11-016 IP.dwg Date: Jul 17, 2014 10:37am Drawn by: mwp

Los Penasquitos/Black Mountain Ranger Station

IRRIGATION MAINLINE EQUIPMENT LEGEND

SYMBOL	DESCRIPTION	MANUFACTURER / MODEL *	REMARKS	DETAILS	S.D.R.S.D. DETAIL
	POINT OF CONNECTION	--	CONNECT TO EXISTING METER PER CIVIL ENGINEER DRAWING AND EXTEND SYSTEM AS SHOWN	---	---
	EXISTING POTABLE WATER METER - 1/2" PER CIVIL ENGINEER'S PLAN	--	FIELD VERIFY EXACT LOCATION. SEE CIVIL PLAN FOR EXACT LOCATION AND SIZE PLAN FOR SIZE.		SDW-150
	BACKFLOW PREVENTER	WILKINS #375 XL5 - 1"	PROVIDE CONCRETE PAD AS REQ'D. COORDINATE FINAL LOCATION W/ OWNER'S REPRESENTATIVE.		SDW-155
	PRESSURE REGULATOR	WILKINS #500XL - 1" (FACTORY SET AT 85 PSI)	SEE PSI CALC (SHEET L-2.1) FOR REGULATOR SETTING	---	---
NO SYM.	BACKFLOW PREVENTER ENCLOSURE	V.I.T. STRONGBOX SBBC-4555	PROVIDE CONCRETE PAD PER DETAIL	A/L-2.5	SDW-155
	AUTOMATIC IRRIGATION CONTROLLER WALL MOUNTED IRRIGATION CONTROLLER ASSEMBLY	IMPERIAL TECHNICAL SERVICES #1CA16-HUT-18/SOL9W/SP/AFS-100/F5W16/RRC	COORDINATE FINAL LOCATION WITH OWNER'S AUTHORIZED REPRESENTATIVE. CONTACT DARYL GREEN, GREEN PRODUCT SALES FOR CONTROLLER SPECIFICS (800) 421-0119		SDI-118
	WIRELESS ET SENSOR	HUNTER SOLAR SYNC #455	MOUNT TO BUILDING EAVE, APPROXIMATELY WHERE SHOWN	G/L-2.5	
	120 VOLT ELECTRICAL POWER	--	PROVIDED BY ELECTRICIAN. VERIFY ACTUAL LOCATION IN FIELD	---	
	FLOW SENSOR & TEE	HUNTER #HF5	INSTALL PER MANUFACTURER'S RECOMMENDATION. REFER TO CONTROLLER CALLOUT FOR ACTUAL PART NUMBER OF 1" RECEPTACLE TEE.		SDI-112
	FLOW SENSOR CABLE (IN CONDUIT)	FAIGE #F5W16	INSTALL IN CONDUIT, PER MANUFACTURER'S RECOMMENDATION	B/L-2.5	
	MASTER CONTROL VALVE (NORMALLY OPEN)	SUPERIOR #3100-1"	APPROXIMATE LOCATION.		SDI-111
	REMOTE CONTROL VALVE	RAIN BIRD #EFB-CF SERIES	APPROX. LOCATION, SEE PLAN FOR SIZE		SDI-114 SDI-126
NO SYM.	BASKET FILTER (FOR REMOTE CONTROL VALVES WITH FLOWS LOWER THAN 3 GALLONS PER MINUTE)	RAIN BIRD #QKCHK-100	INSTALL PER MANUFACTURER'S RECOMMENDATION.	F/L-2.5	
	GLOBE VALVE	NIBCO #T-113-K	SIZE TO MATCH LARGEST RCV IN MANIFOLD		SDI-106
	QUICK COUPLER VALVE WITH QUICK COUPLER KEY	RAIN BIRD #44-LRC RAIN BIRD #44K	VERIFY ACTUAL LOCATION IN FIELD		SDI-105 SDI-126
	PVC PRESSURE PIPE (MAINLINE)	PW PIPE OR EQUAL	PVC CLASS 315 FOR 2" AND LARGER PVC SCH 40 FOR 1-1/2" AND SMALLER		SDI-110
	PVC NON-PRESSURE PIPE (LATERAL)	PW PIPE OR EQUAL	PVC SCH 40, MINIMUM 3/4" SIZE		SDI-110
	PRESSURE PIPE SLEEVE	PW PIPE OR EQUAL	PVC SCH. 40, 2X DIA OF SLEEVED PIPE MIN.	D/L-2.5	
	NON-PRESSURE PIPE SLEEVE	PW PIPE OR EQUAL	PVC SCH. 40, 2X DIA OF SLEEVED PIPE MIN.	D/L-2.5	
NO SYM.	CONTROL WIRE	14 GAUGE - DIRECT BURIAL	COLOR-CODED. SEE SPEC.		SDI-119
	WIRE CONDUIT	PW PIPE OR EQUAL	PVC SCH. 40, 2X SIZE OF WIRE BUNDLE	D/L-2.5	
NO SYM.	WIRE CONNECTOR	SPEARS DRI-SPLICE DS 100 WITH DS 300 EPOXY SEALANT	FOR ALL WIRE SPLICES BELOW GRADE	E/L-2.5	
	WIRE SPLICE FULL BOX	--	FULL BOXES FOR WIRE SPLICES SHALL BE LOCATED APPROXIMATELY 500' O.C. AND AT THE ENDS OF ALL SLEEVES UNDER PAVING. FULL BOXES SHALL BE 10" ROUND WITH LOCKING LID		SDI-115
NO SYM.	CONCRETE THRUST BLOCKS	CONTRACTOR FABRICATED	INSTALL AT ALL DIRECTIONAL CHANGES		SDW-151
NO SYM.	CONCRETE VALVE BOXES	BROOKS #3-HL	SEE SPECIFICATIONS FOR MODEL NUMBERS AND SIZES		SDI-125
	TREE BUBBLER (2 UNITS PER SYMBOL)	RAIN BIRD R45-S-B-140I (2 PER TREE)	EACH SYMBOL REPRESENTS TWO UNITS PER TREE		SDI-104

IRRIGATION SPRAY HEAD LEGEND

SYMBOL	SPRAY HEAD DESCRIPTION	MANUFACTURER / MODEL *	RADIUS	PSI	GALLONS PER MINUTE							DETAILS	S.D.R.S.D. DETAIL	
					EST	55T	360	180	90	CORNER				
	12" SHRUB POP-UP SPRAY HEAD	HUNTER PRO-SPRAY FRS40 W/ MP ROTATOR MFLC5515/MFRC5515 NOZZLE	5'-15'	40	.22									SDI-103
	12" SHRUB POP-UP SPRAY HEAD	HUNTER PRO-SPRAY FRS40 W/ MP ROTATOR MFS5530 NOZZLE	5'-30'	40	.44									SDI-103
	12" SHRUB POP-UP SPRAY HEAD	HUNTER PRO-SPRAY FRS40 W/ MP ROTATOR MFI000 360	8'-15'	40		.75								SDI-103
	12" SHRUB POP-UP SPRAY HEAD	HUNTER PRO-SPRAY FRS40 W/ MP ROTATOR MFI000 360	8'-15'	40			.37							SDI-103
	12" SHRUB POP-UP SPRAY HEAD	HUNTER PRO-SPRAY FRS40 W/ MP ROTATOR MFI000 90-210	8'-15'	40				.19						SDI-103
	12" SHRUB POP-UP SPRAY HEAD	HUNTER PRO-SPRAY FRS40 W/ MP ROTATOR MP CORNER	8'-15'	40					.19					SDI-103
REFER TO 12" POP-UP SYMBOLS ABOVE	SPRAY HEAD ON RISER FOR USE ON SPRAY HEADS FARTHER THAN 10 FT. FROM HARDSCAPE (CURBS, SIDEWALKS, RETAINING WALLS, MONUMENT SIGNS, ETC.)	HUNTER PROS-00-FRS40-MFI000-XXX	VARIES	30	REFER TO 12" POP-UP GALLONS-PER-MINUTE ABOVE								SDI-101	

DRIP IRRIGATION LEGEND

SYMBOL	DESCRIPTION	MANUFACTURER / MODEL *	REMARKS	DETAILS	S.D.R.S.D. DETAIL
	DRIP CONTROL ZONE KIT (FOR 0.2 TO 3.0 GPM'S)	RAIN BIRD XCZ-LF-100-PRF	APPROX. LOCATION, SEE PLAN FOR SIZE		SDI-127
	DRIP TUBING	NETAFIM #TLCV4-18XX	INSTALL PER MANUFACTURER'S RECOMMENDATIONS	A/L2.6	
NO SYM.	DRIP FITTINGS	NETAFIM (ASSORTED MODEL NO.'S)	INSTALL PER MANUFACTURER'S RECOMMENDATIONS.	A/L2.6	
NO SYM.	DRIP TUBING STAPLES	NETAFIM #TL56	INSTALL PER MANUFACTURER'S RECOMMENDATIONS	B/L2.6	
	BLANK DRIP TUBING	NETAFIM #PED60-070	INSTALL PER MANUFACTURER'S RECOMMENDATIONS	A/L2.6	
NO SYM.	DRIP MICROTUBING	RAIN BIRD #XT-100-XXX	B' MAXIMUM LENGTH	D/E/L2.6	
NO SYM.	DIFFUSER BUG CAP	RAIN BIRD #DBC-025	INSTALL PER MANUFACTURER'S RECOMMENDATIONS	D/E/L2.6	
	MULTI-OUTLET EMISSION DEVICE IN VALVE BOX (SHRUB AND GROUNDCOVER)	RAIN BIRD #XBD-80	TWO EMISSION POINTS PER 5 GALLON SHRUB, ONE PER 1 GALLON SHRUB. SEE PLAN SHEET FOR DRIP EMITTER CHART	D/E/L2.6	
	LINE FLUSHING VALVE	NETAFIM #TSLOV	APPROXIMATELY WHERE SHOWN, INSTALL PER MANUFACTURER'S RECOMMENDATIONS	A/L2.6	
NO SYM.	DRIP EMITTER FOR USE WITH MULTI-OUTLET EMISSION DEVICE	RAIN BIRD #XB-10PC (1 GPH) RAIN BIRD #XB-20PC (2 GPH)	TWO EMISSION POINTS PER 5 GALLON SHRUB, ONE PER 1 GALLON SHRUB. SEE PLAN SHEET FOR DRIP EMITTER CHART	D/E/L2.6	

GENERAL IRRIGATION NOTES

- THESE SYSTEMS ARE DESIGNED TO SUPPLY A MINIMUM OF 40 PSI AT THE SPRINKLER HEAD WITH A MINIMUM STATIC WATER PRESSURE OF 168 PSI AVAILABLE AT THE POINT OF CONNECTION. REFER TO CIVIL DRAWINGS FOR ACTUAL LOCATION OF P.O.C. - FIELD VERIFY AS REQUIRED.
- VERIFY EXACT LOCATION OF ALL UNDERGROUND UTILITIES AND ABOVE GROUND OBSTACLES WITHIN THE WORK AREA PRIOR TO START OF CONSTRUCTION. IF A CONFLICT EXISTS BETWEEN OBSTACLES AND THE PROPOSED WORK, CONTRACTOR SHALL PROMPTLY NOTIFY LANDSCAPE ARCHITECT TO ARRANGE FOR RELOCATIONS, IF REQUIRED, PRIOR TO START OF CONSTRUCTION.
- INSTALL SHUT-OFF VALVES, QUICK COUPLING VALVES, AND REMOTE CONTROL VALVES ADJACENT TO PAVEMENT AND PEDESTRIAN PATHS WHERE OCCURRING (12" MAXIMUM FROM SUCH EDGES) IN PLANTING AREAS.
- SYSTEMS SHALL BE INSTALLED AND ADJUSTED TO KEEP APPLIED WATER AND RUNOFF OFF OF ALL PAVING, WALKS AND OTHER NON-INTENDED AREAS AT ALL TIMES. THIS SHALL INCLUDE THE SELECTION OF THE BEST DEGREE ARC TO FIT THE SITE CONDITIONS AND ADJUSTING THE FLOW CONTROL STEM AT EACH REMOTE CONTROL VALVE TO OBTAIN THE OPTIMUM OPERATING PRESSURE FOR THAT SYSTEM.
- LOW HEAD DRAINAGE, WHERE OCCURS, SHALL BE STOPPED WITH THE USE OF SPRING CHECK VALVES. SPRING CHECK VALVES SHALL BE INSTALLED ON THE RISER ASSEMBLY OF THE SPRINKLER WHERE LOW HEAD DRAINAGE OCCURS.
- ALL IRRIGATION LINES UNDER PAVING AND THROUGH WALLS, FOOTINGS, ETC. SHALL BE SLEEVED WITH PVC SCH 40 PIPE. SLEEVE SHALL BE 2 TIMES THE DIAMETER OF THE PIPE TO BE SLEEVED, MINIMUM. IT IS THE RESPONSIBILITY OF THE CONTRACTOR TO COORDINATE THE INSTALLATION OF SLEEVING WITH OTHER TRADES.
- CONTROL WIRES UNDER PAVING SHALL BE INSTALLED IN PVC SCH. 40 SLEEVES AT LEAST 2 TIMES THE DIAMETER OF THE WIRE BUNDLE. KEEP SEPARATE FROM WATER LINE SLEEVES.
- ALL PLANTINGS SHALL BE FULLY WATERED-IN UPON PLANTING. DO NOT RELY SOLELY UPON THE IRRIGATION SYSTEM. UTILIZE SUPPLEMENTAL HOSE WATERING AS REQUIRED, INITIALLY AND DURING THE PLANT ESTABLISHMENT PERIOD, TO ENSURE ALL PLANTINGS RECEIVE ADEQUATE WATER TO THE ENTIRE ROOT ZONE.
- USE TWO WRAPS OF THREE-QUARTER INCH (3/4") TEFLON TAPE FOR ALL THREADED CONNECTIONS.
- THE CONTRACTOR SHALL NOT WILLFULLY INSTALL THE IRRIGATION SYSTEM AS SHOWN ON THE DRAWINGS WHEN IT IS OBVIOUS IN THE FIELD THAT OBSTRUCTIONS, GRADE DIFFERENCES OR AREA DIMENSIONS EXIST THAT MIGHT NOT HAVE BEEN KNOWN DURING THE DESIGN. SUCH OBSTRUCTIONS OR DIFFERENCES SHALL BE BROUGHT TO THE ATTENTION OF THE OWNER'S AUTHORIZED REPRESENTATIVE. IN THE EVENT THIS NOTIFICATION IS NOT PERFORMED, THE CONTRACTOR SHALL BE RESPONSIBLE FOR ANY REVISIONS NECESSARY.
- MONITOR THE AUTOMATIC CONTROLLER SCHEDULING CAREFULLY DURING THE MAINTENANCE PERIOD AND ADJUST THE RUN TIMES ACCORDINGLY SO THAT ALL AREAS RECEIVE ADEQUATE BUT NOT EXCESSIVE MOISTURE. SHORT SETS WITH REPEAT CYCLES ARE PREFERRED TO SINGLE LONG SETS OF RUN TIMES. ADJUST START TIMES TO ALLOW A MINIMUM OF ONE (1) HOUR BETWEEN REPEAT CYCLES. EXTEND DAYS BETWEEN WATERING AS FAR AS PRACTICAL FOR THE SEASON. CHANGE IRRIGATION RUN TIMES MONTHLY TO MATCH EVAPOTRANSPIRATION CONDITIONS.
- PROVIDE DETECTABLE WARNING TAPE FOR ALL MAINLINE (PRESSURE PIPE) RUNS.
- PROVIDE 18" (MIN.) COVER OVER ALL IRRIGATION CONTROL WIRES RUNNING SEPARATELY FROM MAINLINE.
- ACTUAL LOCATION FOR THE INSTALLATION OF THE BACKFLOW PREVENTER AND THE AUTOMATIC CONTROLLER IS TO BE DETERMINED IN THE FIELD BY THE OWNER'S AUTHORIZED REPRESENTATIVE.
- THE CONTRACTOR SHALL OBTAIN THE PERTINENT ENGINEERING OR ARCHITECTURAL PLANS BEFORE BEGINNING WORK.
- THE CONTRACTOR SHALL OBTAIN ALL NECESSARY PERMITS REQUIRED TO PERFORM THE WORK INDICATED HEREIN BEFORE BEGINNING WORK.
- THE IRRIGATION CONTRACTOR SHALL ADJUST THE PRESSURE REGULATOR ON EACH REMOTE CONTROL VALVE SO THAT THE SPRINKLER HEAD FARTHEST AND HIGHEST IN ELEVATION FROM ITS RESPECTIVE CONTROL VALVE OPERATES WITHIN THE OPERATING PRESSURE SHOWN ON THE IRRIGATION LEGEND. NOT TO EXCEED (5) PSI ABOVE THE GIVEN OPERATING PRESSURE FROM THE SPECIFIED PRESSURE LOCATED ON THE HYDRAULIC CALCULATIONS.
- DURING CONSTRUCTION, ALL EXPOSED PIPE AND JOINTS SHALL BE SHADED WHENEVER TEMPERATURES EXCEED 100 DEGREES FAHRENHEIT.
- CONTRACTOR SHALL PROTECT EXISTING PLANT MATERIAL AND IRRIGATION SYSTEMS ADJACENT TO THE CONSTRUCTION SITE TO THE MAXIMUM EXTENT POSSIBLE. CONTRACTOR SHALL CUT AND CAP ANY EXISTING IRRIGATION SYSTEMS ENTERING THE WORK AREA AND MAKE THE NECESSARY MODIFICATIONS/ REPAIRS TO PROVIDE CONTINUED AND COMPLETE WATER COVERAGE TO EXISTING PLANT MATERIAL.
- AT NO TIME SHALL IRRIGATION SERVICE TO EXISTING PLANTING OUTSIDE OF LIMIT OF WORK BE INTERRUPTED.
- ALL PVC MAINLINES SHALL BE SUBJECTED TO A PRESSURE TEST OF 140 PSI FOR A PERIOD OF 4 HOURS AND SHALL BE WATERTIGHT. ALL CONTROL VALVES, AND SHUT-OFF VALVES SHALL BE INSTALLED PRIOR TO TESTING. ALL TRENCHES SHALL BE OPEN AT TIME OF PRESSURE TEST. IRRIGATION CONTROL WIRING SHALL BE VISUALLY OBSERVED BY THE LANDSCAPE ARCHITECT. APPROVAL SHALL BE RECEIVED BEFORE BACKFILLING ANY TRENCH. DO NOT COVER ANY WIRES, LINES OR FITTINGS UNTIL THEY HAVE BEEN CHECKED AND APPROVED.

IRRIGATION SPRAY NOTES:

- GPM SHOWN AT UNADJUSTED FULL FLOW
- ADJUST SPRAY TO SUIT SITE CONDITIONS.
- ALL SHRUB ROTORS ON RISERS SHALL BE INSTALL USING THE HUNTER SHRUB ROTOR STAKING KIT (MODEL# 463531)

REMOTE CONTROL VALVE CALLOUT:

STATION SEQUENCE FLOW (GALLONS PER MINUTE)
VALVE SIZE

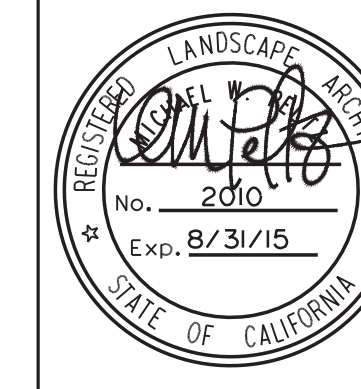
L-2.3



Plans for the Construction of Los Penasquitos/Black Mountain Ranger Station

IRRIGATION LEGEND AND NOTES

CITY OF SAN DIEGO, CALIFORNIA PUBLIC WORKS DEPARTMENT SHEET 20 OF 32 SHEETS		WBS B-00619
APPROVED:	7/22/14 DATE	SUBMITTED BY: JASON GRANI PROJECT MANAGER
FOR CITY ENGINEER: ALI DARVISHI PRINT NAME		ALI DARVISHI SECTION HEAD
DESCRIPTION	BY	APPROVED
ORIGINAL	MWPA	
CONTRACTOR	DATE STARTED	35048-20-D
INSPECTOR	DATE COMPLETED	



MICHAEL W. PELTZ, RLA 2010 DATE 7/16/14

5-DAY IRRIGATION WATERING SCHEDULE - CONTROLLER 'B'

5-DAY WATERING SCHEDULE - CONTROLLER 'A'																
STA.	SYSTEM TYPE	GPM	PR	PF	JAN.	FEB.	MAR.	APR.	MAY	JUN.	JUL.	AUG.	SEP.	OCT.	NOV.	DEC.
A1	TREE	2.0	1.93	0.4	2	2	3	4	5	6	6	6	4	4	2	2
A2	SHRUB/MULTI-EXIT DRIP	6.2	1.58	0.4	3	3	4	5	6	7	7	7	5	4	3	2
A3	SHRUB/MP ROTATOR	8.0	0.45	0.4	9	10	14	18	22	24	25	24	18	15	10	9
A4	SHRUB/MP ROTATOR	7.0	0.45	0.4	9	10	14	18	22	24	25	24	18	15	10	9
A5	SHRUB/MP ROTATOR	17.0	0.45	0.4	9	10	14	18	22	24	25	24	18	15	10	9
A6	SHRUB/MP ROTATOR	19.0	0.45	0.4	9	10	14	18	22	24	25	24	18	15	10	9
A7	SHRUB/MP ROTATOR	16.0	0.45	0.4	9	10	14	18	22	24	25	24	18	15	10	9
A8	SHRUB/MP ROTATOR	17.0	0.45	0.4	9	10	14	18	22	24	25	24	18	15	10	9
A9	SHRUB/IN-LINE DRIP	3.5	0.65	0.4	7	7	10	13	15	17	17	17	13	10	7	6
A10	SHRUB/MP ROTATOR	12.0	0.45	0.4	9	10	14	18	22	24	25	24	18	15	10	9
A11	TREE	3.0	1.93	0.4	2	2	3	4	5	6	6	6	4	4	2	2
A12	SHRUB/MP ROTATOR	15.0	0.45	0.4	9	10	14	18	22	24	25	24	18	15	10	9
A13	SHRUB/MULTI-EXIT DRIP	3.0	0.45	0.4	9	10	14	18	22	24	25	24	18	15	10	9
TOTAL MINUTES PER DAY					98	103	144	190	225	255	262	252	189	158	105	91
TOTAL HOURS PER DAY					1.64	2	2	3	4	4	4	4	3	3	2	2

- NOTES:
- THIS WATERING SCHEDULE SHALL SERVE AS A GUIDELINE ONLY. ADJUST WATERING TIMES PER SITE CONDITIONS.
 - DURING THE PLANT ESTABLISHMENT PERIOD, INCREASE WATERING TIMES BY APPROXIMATELY 30%.
 - INCREASE THE NUMBER OF CYCLES AS NECESSARY TO PREVENT RUN-OFF ONTO HARDSCAPE.

(A) POC - PRESSURE CALCULATIONS

PROJECT	Los Penasquitos/ Black Mountain Ranger Station - POC A		
POC #/RCV #	A	3	
POC WATER TYPE	POTABLE WATER		
RCV DEMAND			13 GPM
HYDRAULIC GRADE LINE			712 FEET
METER ELEVATION			251 FEET
PRESSURE AVAILABLE AT POC			199.613 PSI

(B) EQUIPMENT LOSSES

#	GPM	SIZE	LNTH/QU.	PSI	LOSS	
(1) SERVICE LINE	13.00	2"	35.00	0.28	0.10	PSI
(2) METER	13.00	1-1/2"			1.00	PSI
(3) PSI REGULATOR	13.00	N/A			3.00	PSI
(4) BACKFLOW DEVICE W/ STRAINER	13.00	1"			13.00	PSI
(5) FLOW SENSOR	13.00	1"			0.50	PSI
(6) MASTER CONTROL VALVE	13.00	1"			1.20	PSI
(7) EX. MAINLINE (2"-3" CLASS 315)	13.00	0	0.00	0.00	0.00	PSI
(8) NEW MAINLINE (2"-3" CLASS 315)	13.00	1-1/2"	560.00	0.83	4.65	PSI
(9) ISOLATION VALVES	VAR	= LINE	3	0.70	3.00	PSI
(10) RCV SINGLE STATION	13.00	1"			1.00	PSI
(11) Sch. 40 LATERALS (10% OF PSI REQ'D)	VAR	4.00			4.00	PSI
(12) SUBTOTAL					31.45	PSI
(13)+ 10% FOR FITTINGS					3.14	PSI
TOTAL EQUIPMENT LOSSES					34.59	PSI

(C) ELEVATION GAINS / LOSSES

(1) ELEV. HEAD GAIN FROM SPRINKLR	0	FEET=	0.00	PSI
(2) ELEV. HEAD LOSS FROM SPRINKLR	8	FEET=	3.46	PSI
TOTAL ELEVATION GAIN / LOSS			3.46	PSI

(D) CALCULATIONS

(1) TOTAL LOSSES				38.05	PSI
(2) SPRINKLER OPERATING PRESSURE				40.00	PSI
(3) PRESSURE REQUIREMENT (D1+D2)				78.05	PSI
(4) EXIST. STATIC PRESSURE (P.O.C.)				199.61	PSI
(5) RESIDUAL PRESSURE			155.74%	121.56	PSI

(E) PUMP REQUIREMENT (IF NEEDED)

(1) TOTAL PUMP OUTPUT (IF REQ'D.)				N/A	PSI
(2) SURPLUS (MIN. 10% / 10 PSI REQ'D.)	(E1-D3)		0.00%	N/A	PSI

(F) PSI REGULATOR SETTINGS

(1) POC PSI REGULATOR SETTING	*Surplus=	11.95 PSI OR	15.30%	@	90	PSI
(2) RCV PSI REGULATOR SETTING					48.14	PSI

A WATERING SCHEDULE

Los Penasquitos/ Black Mountain Ranger Station - Irrigation Point of Connection (P.O.C.) "A"

A	B	C	D	E	F	G	H	I	J	
Controller #	Hydrozone #	Valve Circuit #	Irrigation Method (Code)	Plant Factor (avg.)(PF)	Hydrozone Area (HA)	% of Total Landscaped Area	PF x HA	IE	PF x HA/IE	
A	Multi-exit drip LW/MW	Dnp	0.4	10.667	45.09%	4266.8	0.9	4740.9		
A	In-line drip	Drip	0.4	1.094	4.62%	437.6	0.78	561.0		
A	MP Rotators - LW/MW	MP Rotator	0.4	20.940	88.52%	8376	0.75	11168.0		
A	Tree Bubbler (8 trees)	RZWS	0.4	104	0.44%	41.6	0.75	55.5		
TOTAL					SLA	0	0.00%	13122	3.18	0.0
TOTAL						32.805	100%			16,525

C HYDROZONE INFORMATION TABLES

MAWA=Maximum Applied Water Allowance (gallons per year)

MAWA=	(Eto-EPPt) (0.62) [(0.7)(LA) + (0.3)(SLA)]
Eto=	51.00 Reference Evapotranspiration (inches per year) (Station #74 - Escondido)
EPPt=	0.00 Effective Precipitation (25% of Annual Rainfall)
0.7=	ET Adjustment Factor
LA=	32,805.00 Landscaped Area (includes Special Landscape Area, square feet)
0.62=	Conversion factor (to gallons per square foot)
SLA=	0.00 Portion of the Landscape Area identified as Special Landscape Area (square feet)
0.3=	The additional ET adjustment factor for Special Landscape Areas
MAWA=	(51.00 - 0.00) x (0.62) [0.7 x 32,805.00 + 0.3 x 0.00]
MAWA=	726,105.87 Gallons Per Year

ETWU=Estimated Total Water Usage (gallons per year)

ETWU=	(Eto)(0.62) [PF x HA / IE + SLA]
ETWU=	(51.00) x (0.62) x [16,525.38 + SLA]
MAWA=	522,532.55 Gallons Per Year

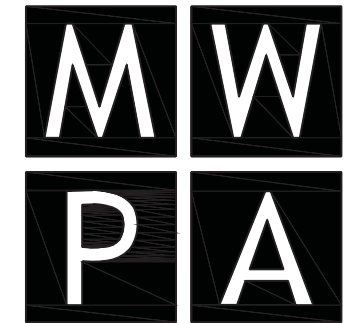
Summary

MAWA=Maximum Applied Water Allowance (gallons per year)	726,105.87
MAWA - P.O.C. "A" =	726,105.87
ETWU=Estimated Total Water Usage (gallons per year)	522,532.55
ETWU - P.O.C. "A" =	522,532.55
*Estimated water use is	203,573.32 gallons per year less than the Maximum Applied Water Allowance

B PRESSURE LOSS CALCULATION

D WATER CALCULATIONS

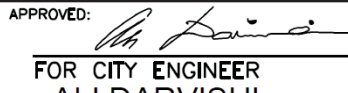
L-2.4




MW
PA
A CALIFORNIA CORPORATION
MW PELTZ + ASSOCIATES
LANDSCAPE ARCHITECTURE
SOLANA BEACH, CALIFORNIA
858.481.0888 / RLA 2010

**Plans for the Construction of
Los Penasquitos/Black Mountain
Ranger Station**

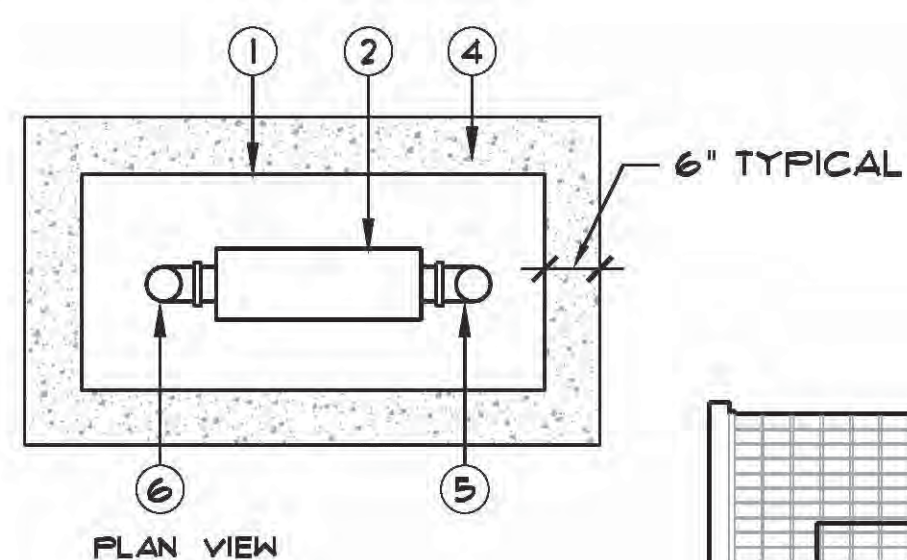
IRRIGATION NOTES AND CALCULATIONS

CITY OF SAN DIEGO, CALIFORNIA PUBLIC WORKS DEPARTMENT SHEET 21 OF 32 SHEETS		WBS B-00619
APPROVED:  7/22/14 FOR CITY ENGINEER ALI DARVISHI PRINT NAME	DATE	SUBMITTED BY: JASON GRANI PROJECT MANAGER ALI DARVISHI SECTION HEAD
ORIGINAL	BY MWPA	287-1731 CCS27 COORDINATE 6292407-1918444 CCS83 COORDINATE
CONTRACTOR _____ DATE STARTED _____		35048-21-D
INSPECTOR _____ DATE COMPLETED _____		



7/16/14
MICHAEL W. PELTZ, RLA 2010 DATE

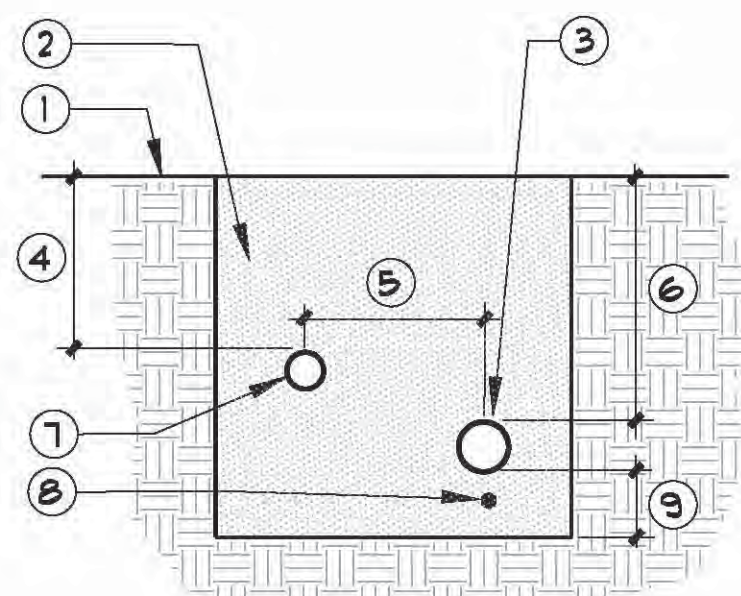
OMITTED. REFER TO REGIONAL STANDARD DETAIL #SDI-111



- ① STAINLESS STEEL ENCLOSURE
- ② BACKFLOW PREVENTER
- ③ ANCHOR ROD (TYP.)
- ④ POURED CONCRETE BASE MED. BROOM FINISH 6" MIN. THICKNESS- EXTEND 6" BEYOND OUTSIDE DIMENSIONS OF ENCLOSURE.
- ⑤ WATER SERVICE INLET PIPING
- ⑥ WATER SERVICE OUTLET PIPING
- ⑦ FINISH GRADE
- ⑧ 2" FROM FINISH GRADE IN SHRUB AREA

A BACKFLOW ENCLOSURE

NO SCALE



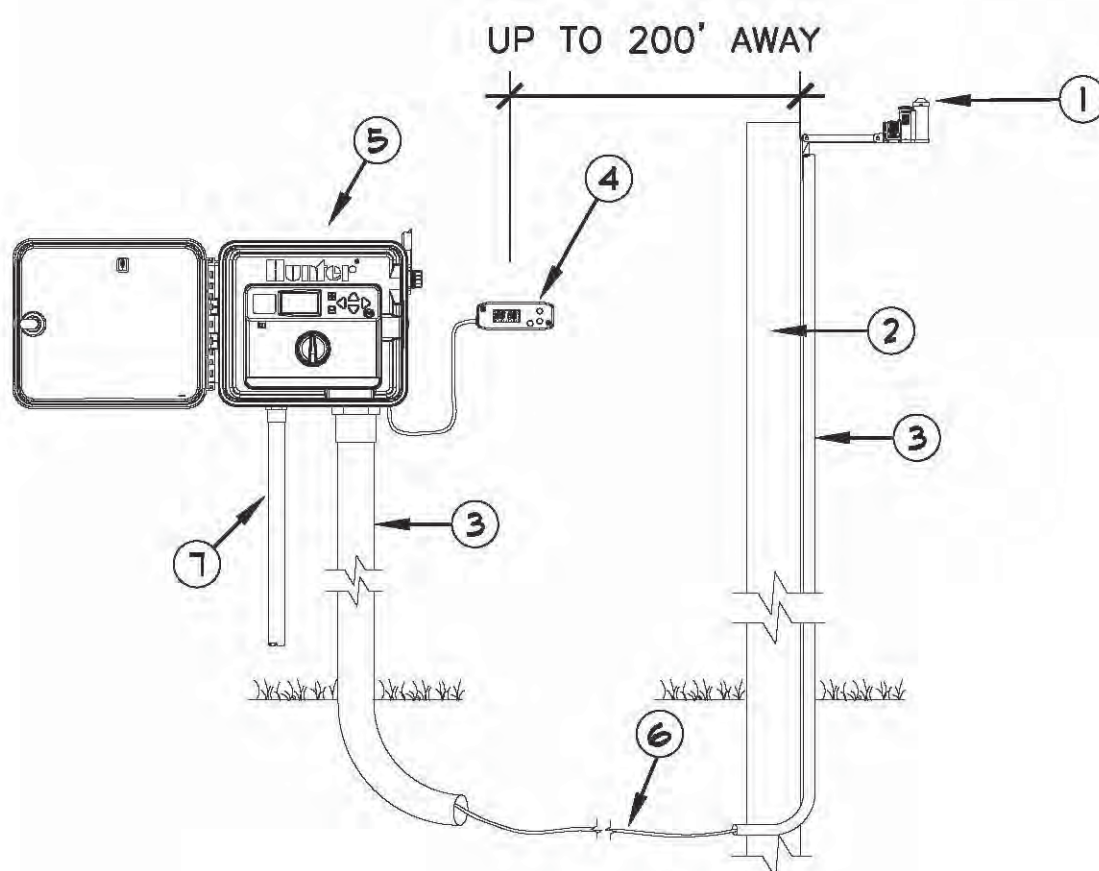
- ① FINISH GRADE
- ② BACKFILL
- ③ PRESSURE MAINLINE PIPE
- ④ DEPTH OF SLEEVES UNDER ROADS 6" OR SMALLER - 36" COVER GREATER THAN 6" - 48" COVER #SCHEDULE 80 PVC
- ⑤ DEPTH OF SLEEVES UNDER PAVING (NON-ROADS) 3" OR SMALLER - 18" COVER 3" THROUGH 5 1/2" - 24" COVER 6" OR LARGER - 36" COVER #SCHEDULE 40 PVC
- ⑥ DEPTH OF SLEEVES UNDER ROADS 6" OR SMALLER - 36" COVER GREATER THAN 6" - 48" COVER #SCHEDULE 80 PVC
- ⑦ DEPTH OF SLEEVES UNDER PAVING (NON-ROADS) 3" OR SMALLER - 18" COVER 3" THROUGH 5 1/2" - 24" COVER 6" OR LARGER - 36" COVER #SCHEDULE 40 PVC
- ⑧ 6" MIN.
- ⑨ DEPTH OF SLEEVES UNDER ROADS 6" OR SMALLER - 36" COVER GREATER THAN 6" - 48" COVER #SCHEDULE 80 PVC
- ⑩ DEPTH OF SLEEVES UNDER PAVING (NON-ROADS) 3" OR SMALLER - 18" COVER 3" THROUGH 5 1/2" - 24" COVER 6" OR LARGER - 36" COVER #SCHEDULE 40 PVC
- ⑪ NON-PRESSURE LATERAL PIPE
- ⑫ CONTROL WIRE BUNDLE
- ⑬ 2" MIN. CLEAN BACKFILL

NOTES:

1. NO OTHER TRADES (ELECTRICAL, LIGHTING) SHALL USE THE SAME TRENCH AS IRRIGATION PIPE.
2. PROVIDE 24" OF COVER FOR DIRECT BURIAL CABLE.
3. PROVIDE PVC SCH. 40 SLEEVES FOR ALL WIRING AND PIPING UNDER PAVING.
4. NO VERTICAL STACKING OF IRRIGATION PIPES IN THE SAME TRENCH.

D SLEEVING

NO SCALE

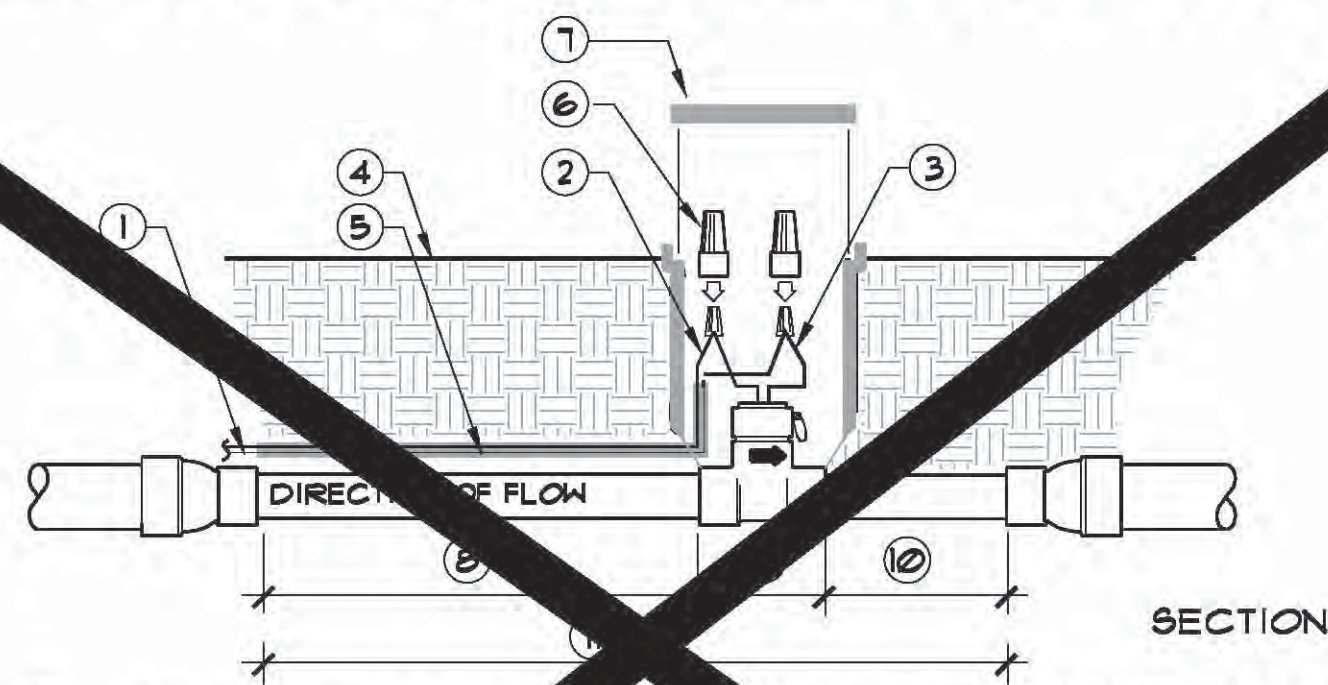


- ① MODEL: SOLAR SYNC SENSOR
- ② SUITABLE POST, POLE, OR GUTTER MOUNT. MOUNT IN LOCATION WHERE SENSOR CAN RECEIVE FULL SUN, IS OPEN TO RAINFALL AND OUT OF SPRINKLER SPRAY PATTERN
- ③ CONDUIT FOR SOLAR SYNC COMMUNICATION WIRE TO CONTROLLER OR 12" BELOW GRADE
- ④ MODEL SOLAR SYNC MODULE MOUNT LESS THAN 6' AWAY FROM CONTROLLER.
- ⑤ HUNTER 1-CORE CONTROLLER
- ⑥ COMMUNICATION WIRE, 18-24 WIRE TYPE TO MEET INSTALLATION CODE REQUIREMENTS, FROM MODULE TO SENSOR, MAXIMUM TOTAL WIRE DISTANCE, 200 FEET
- ⑦ POWER SOURCE

ET GAGE MODEL ETG MOUNTED ON METAL STAKE AND BASE (INCLUDED WITH ENCLOSURE)
ET GAGE MOUNTING BRACKETS (INCLUDED WITH ET GAGE)

G SOLAR SYNC SYSTEM

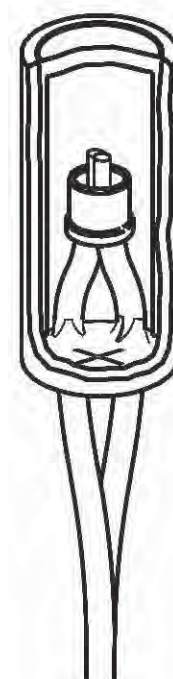
NO SCALE



- ① SENSOR CABLE - RUN FROM FLOW SENSOR TO CONTROLLER
- ② WHITE SLEEVE
- ③ BLACK CRIMP SLEEVE
- ④ FINISH GRADE
- ⑤ CONDUIT FOR FLOW SENSOR CABLE
- ⑥ PLUG
- ⑦ CRIMP CONNECTIONS PROVIDED
- ⑧ VARIATION BOX
- ⑨ LENGTH OF RUN EQUALS 10 TIMES PIPE DIAMETER
- ⑩ FLOW SENSOR
- ⑪ LENGTH OF RUN EQUALS 5 TIMES PIPE DIAMETER
- ⑫ NO VALVES, REDUCERS, OR ELBOWS IN THIS AREA

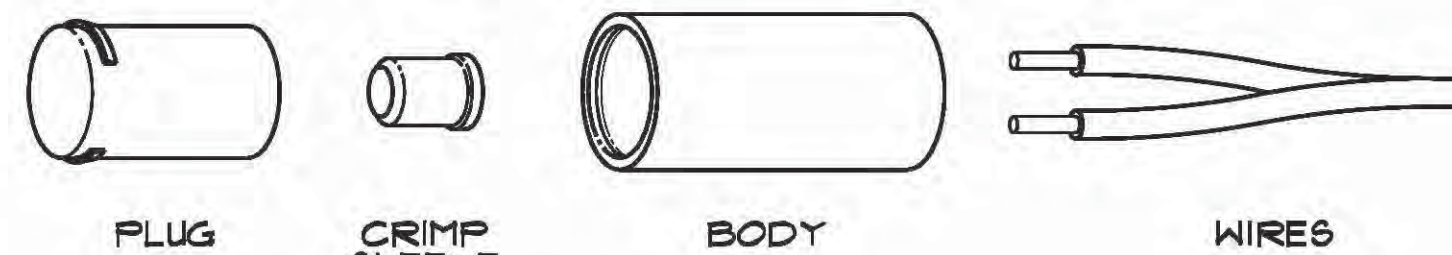
F FLOW SENSOR

NO SCALE



- ① INSERT WIRES THROUGH HOLES IN CASE OF BODY.
- ② TWIST STRIPPED WIRES TOGETHER AND APPLY CRIMP SLEEVE WITH AN INDENT TYPE CRIMPING TOOL. TRIM EXCESS BARBED WIRE.
- ③ D-100 ONLY - FILL PLUG TO BRIM WITH DS-300 SEALANT.
- ④ INVERT BODY AND INSERT PLUG INTO BODY UNTIL IT SNAPS TIGHT.
- ⑤ PUSH WIRES ALL THE WAY INTO THE PLUG TO COMPLETELY SEALS THE CRIMP.
- ⑥ DS-100 ONLY - BE CERTAIN SEALANT HAS FORMED INTO ALL HOLES IN BODY.

NOTE: DS-100 FITS AWG #8, #14, #12 OR #10 WIRE



E WIRE CONNECTOR

(SPEARS DRI-SPLICE 100)

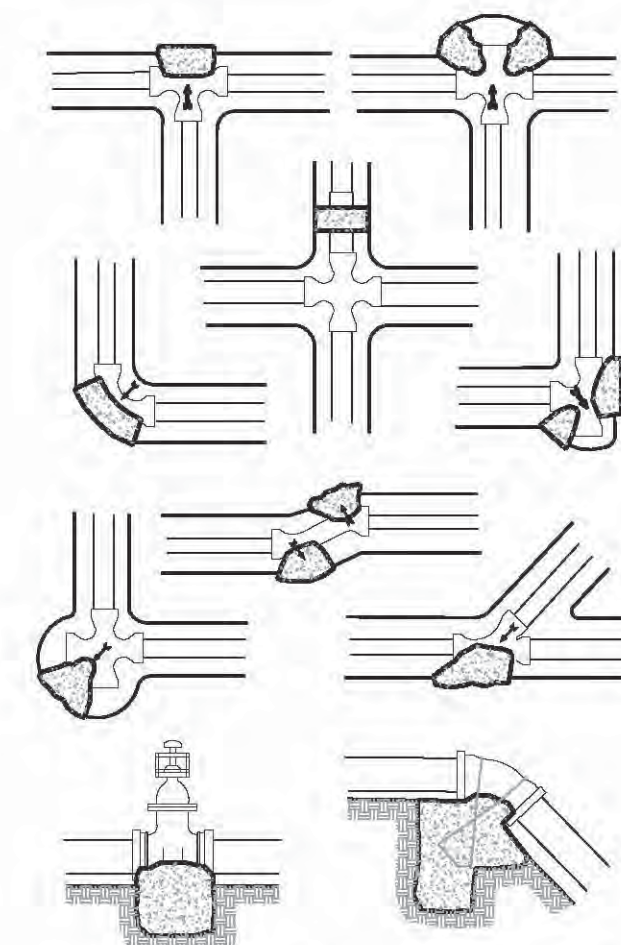
NO SCALE

THRUST AT FITTINGS IN POUNDS AT 100 psi

PIPE SIZE INCHES	90° BENDS	45° BENDS	22-1/2° BENDS	DEAD ENDS
1-1/2"	415	225	115	295
2"	645	350	180	455
2-1/2"	935	510	260	660
3"	1,395	755	385	985
3-1/2"	1,780	962	495	1,260
4"	2,295	1,245	635	1,620
5"	3,500	1,920	915	2,420
6"	4,950	2,710	1,305	3,350
8"	8,300	4,500	2,290	5,860
10"	12,800	6,900	3,540	9,050
12"	18,100	9,800	5,000	12,800

THRUST AT FITTINGS IN PASCALS AT 689 kPa OF WATER PRESSURE

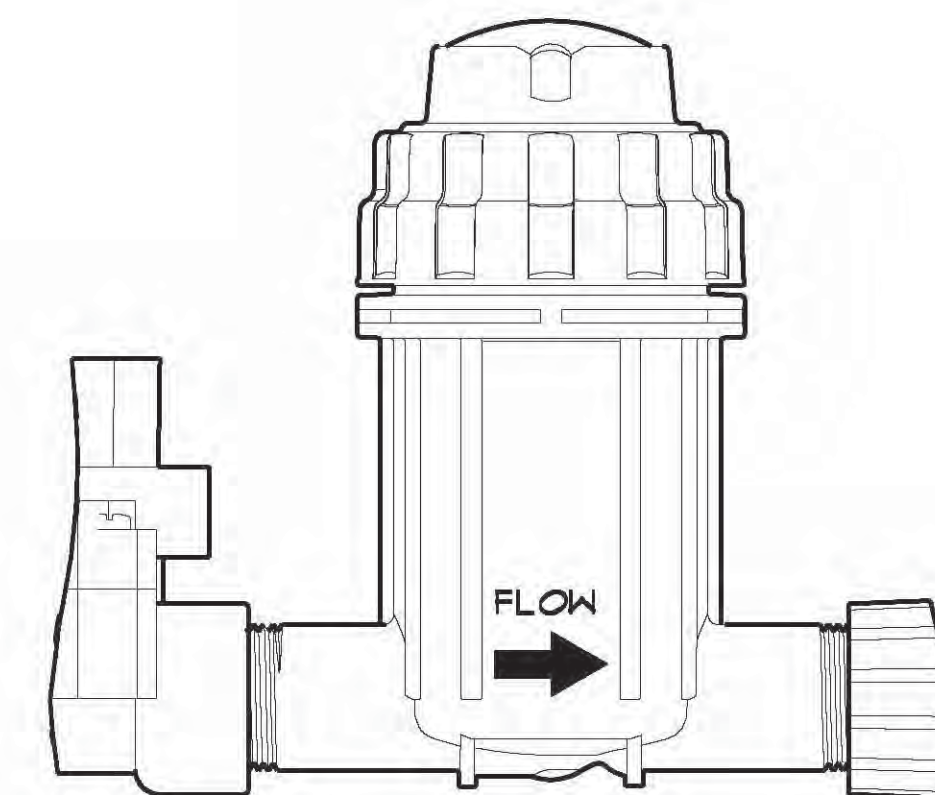
(mm)	90° BENDS	45° BENDS	22-1/2° BENDS	DEAD ENDS
38.1	1048.8	1001.3	511.8	1912.8
50.8	2810.3	1571.5	801	2024.8
63.5	4160.8	2263.5	1151	3931
76.2	6201.8	3353.8	1713.3	4383.3
86.3	7921	4280.9	2202.8	5601
101.6	10212.8	5540.3	2815.8	7293
127	15515	8455	4338.8	11000.5
152.4	22021.5	12095.5	6163.3	15915.5
203.2	36935	20021.5	10190.5	26071
254	56960	30705	15153	40212.5
304.8	82545	43610	22250	56960



EXAMPLE: FOR A PRESSURE OF 150 PSI (1033.5 KPA) ON A 4 IN. (101.6 MM) TEE, TABLE 1000.14(A) INDICATES 1620 POUNDS (7209 N) FOR 100 PSI (689 KPA). THEREFORE, TOTAL THRUST FOR 150 PSI (1033.5 KPA) WILL EQUAL 1-1/2 TIMES 1620 POUNDS (7209 N) FOR A TOTAL THRUST OF 2430 POUNDS (10910 N). TO DETERMINE THE BEARING AREA FOR THRUST BLOCKS, REFER TO TABLE 1000.14(B) FOR THE SAFE BEARING LOAD OF THE SOIL AND DIVIDE THE TOTAL THRUST BY THE SAFE BEARING LOAD.

C THRUST BLOCKS

NO SCALE



NOTE: INSTALL DOWNSTREAM OF REMOTE CONTROL VALVES WITH FLOWS LOWER THAN 3 G.P.M. TO PREVENT DEBRIS FROM COLLECTING BELOW THE DIAPHRAGM

F BASKET FILTER (FLOWS UNDER 3 GALLONS PER MINUTE)

NO SCALE

L-2.5

**MW
PA**

A CALIFORNIA CORPORATION
MW PELTZ + ASSOCIATES
LANDSCAPE ARCHITECTURE
SOLANA BEACH, CALIFORNIA
858.481.0888 / RLA 2010

**Plans for the Construction of
Los Penasquitos/Black Mountain
Ranger Station**

IRRIGATION DETAILS

WBS B-00619

CITY OF SAN DIEGO, CALIFORNIA
PUBLIC WORKS DEPARTMENT
SHEET 22 OF 32 SHEETS

APPROVED: 7/22/14
DATE

FOR CITY ENGINEER
ALI DARVISHI
PRINT NAME

7 DESCRIPTION BY APPROVED DATE FILMED

ORIGINAL	MWPA			

CONTRACTOR DATE STARTED
INSPECTOR DATE COMPLETED

SUBMITTED BY:
JASON GRANI
PROJECT MANAGER

ALI DARVISHI
SECTION HEAD

287-1731
CCS27 COORDINATE

6292407-1918444
CCS83 COORDINATE

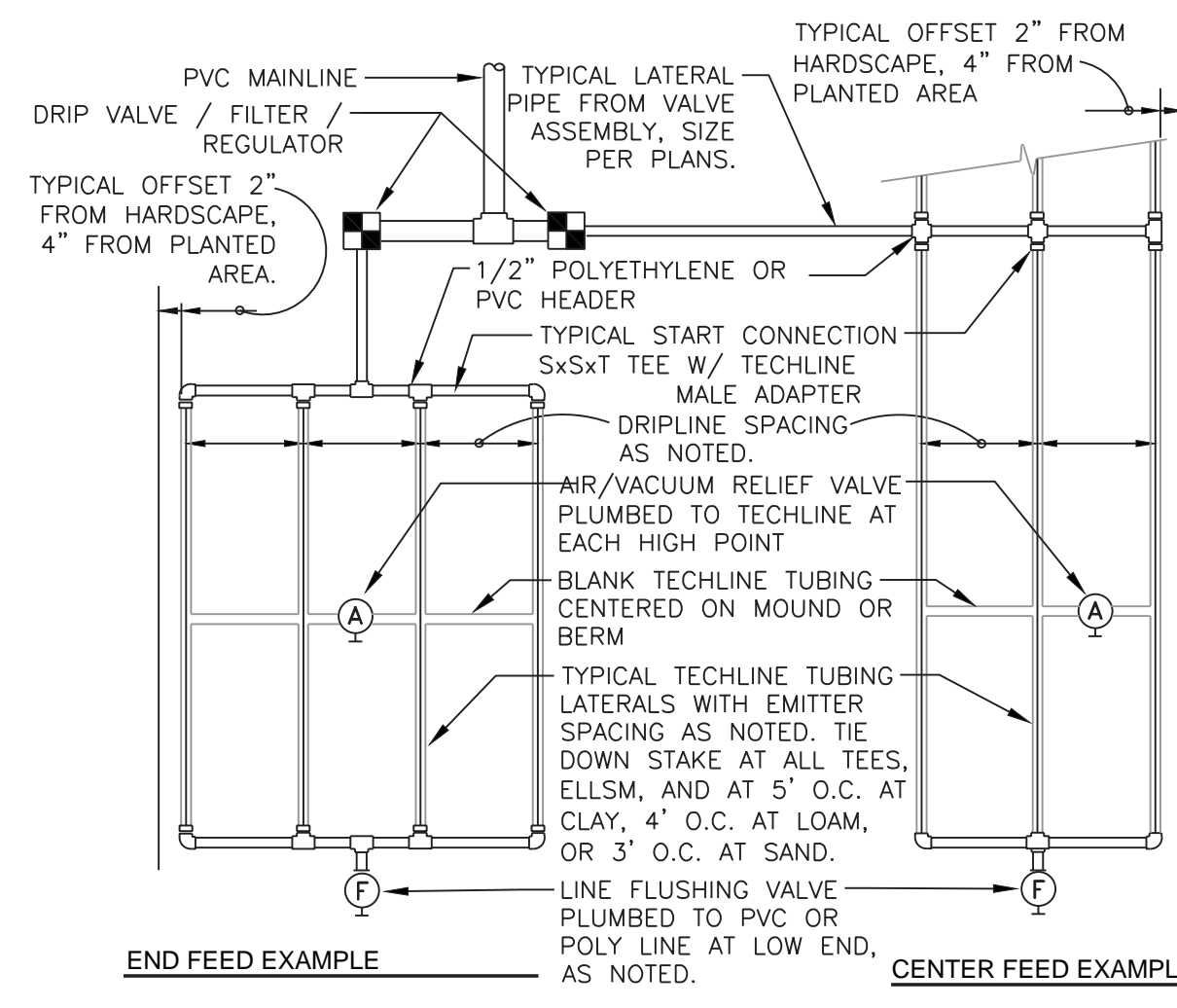
35048-22-D

8/31/15
STATE OF CALIFORNIA

7/16/14
MICHAEL W. PELTZ, RLA 2010 DATE

Drawing name: 11-016 ID: 0469 Date: Jul 17, 2014 10:46am Drawn by: r. moore

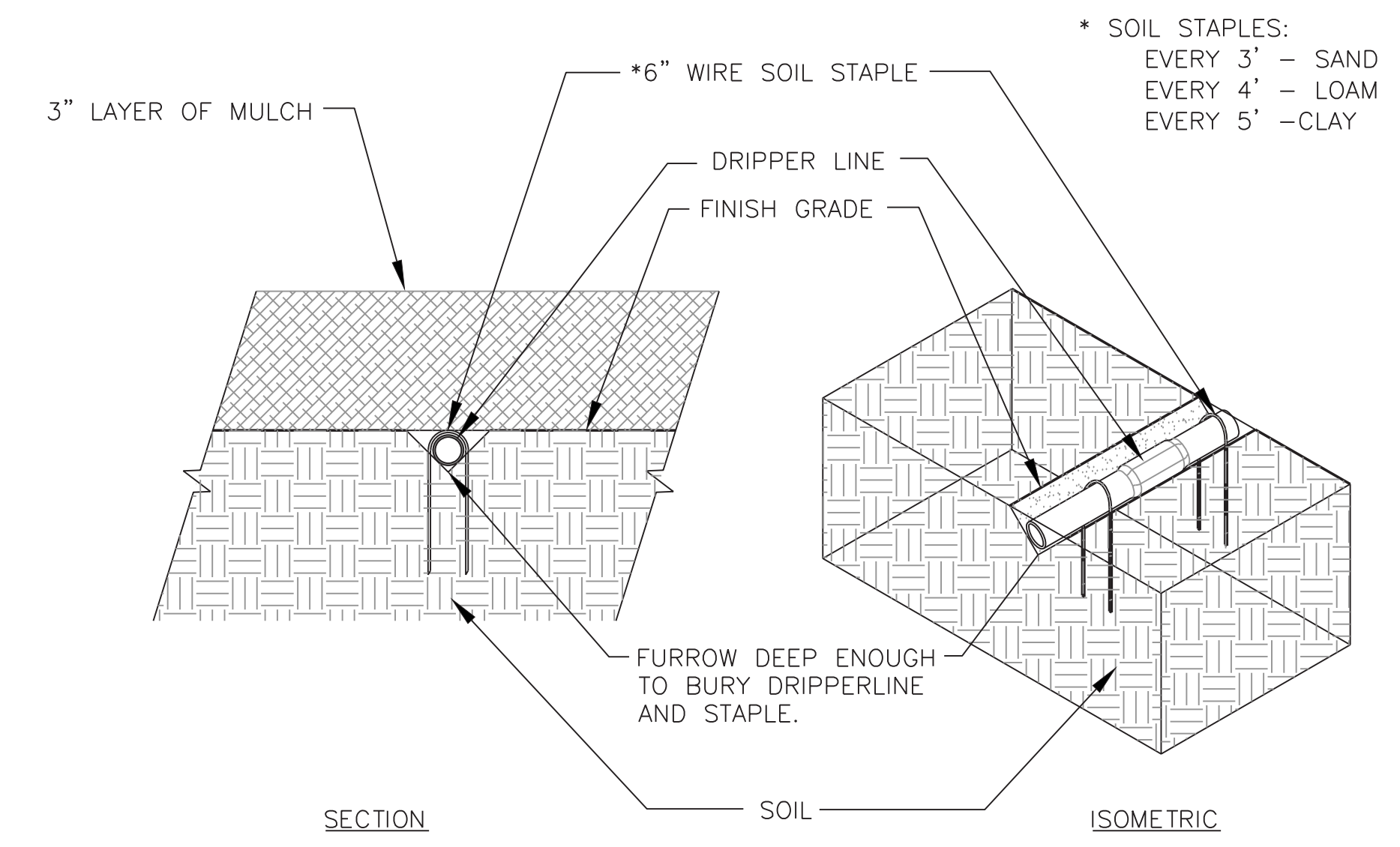
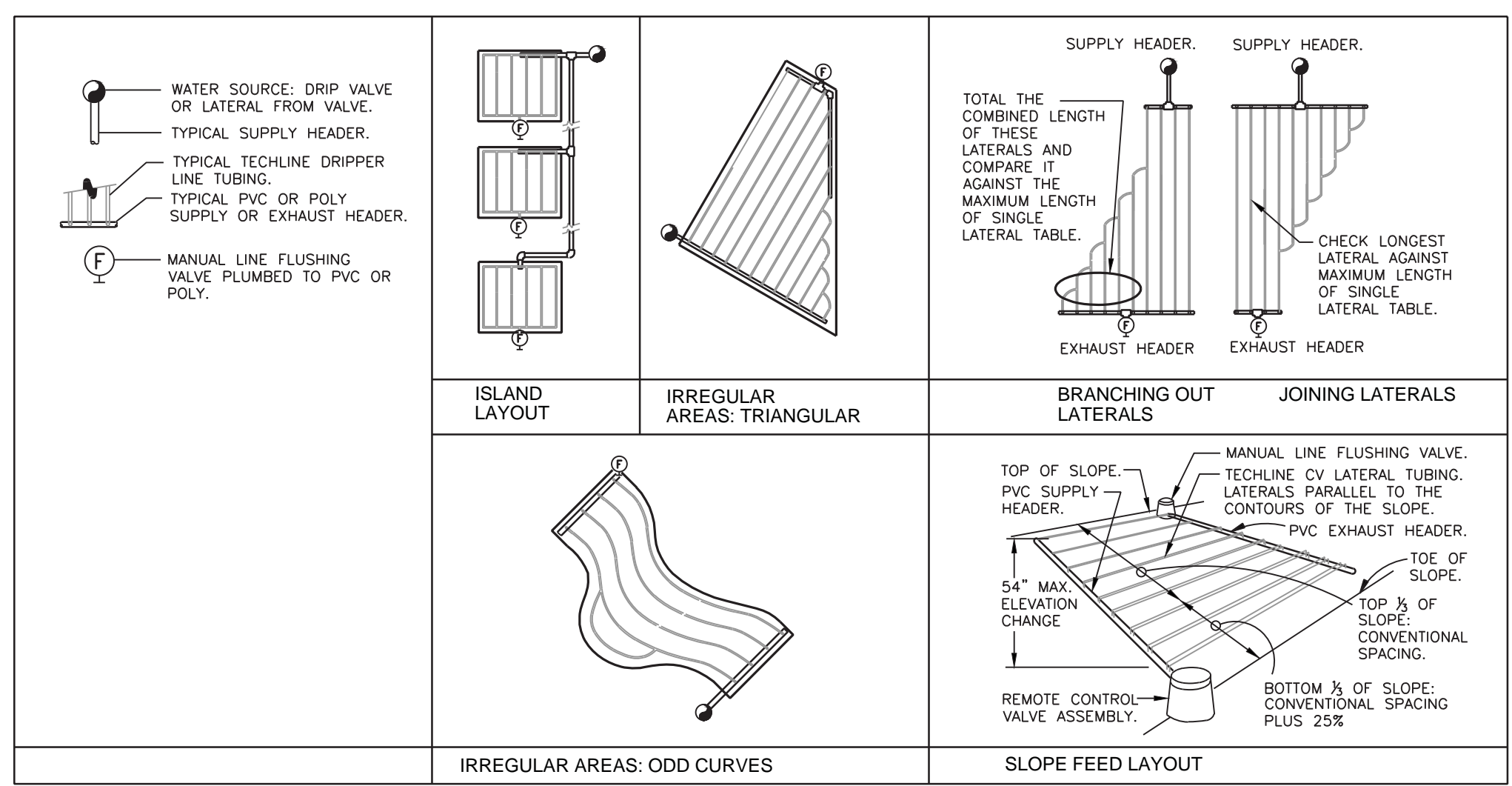
Los Penasquitos/Black Mountain Ranger Station



SLOPED CONDITION NOTES:

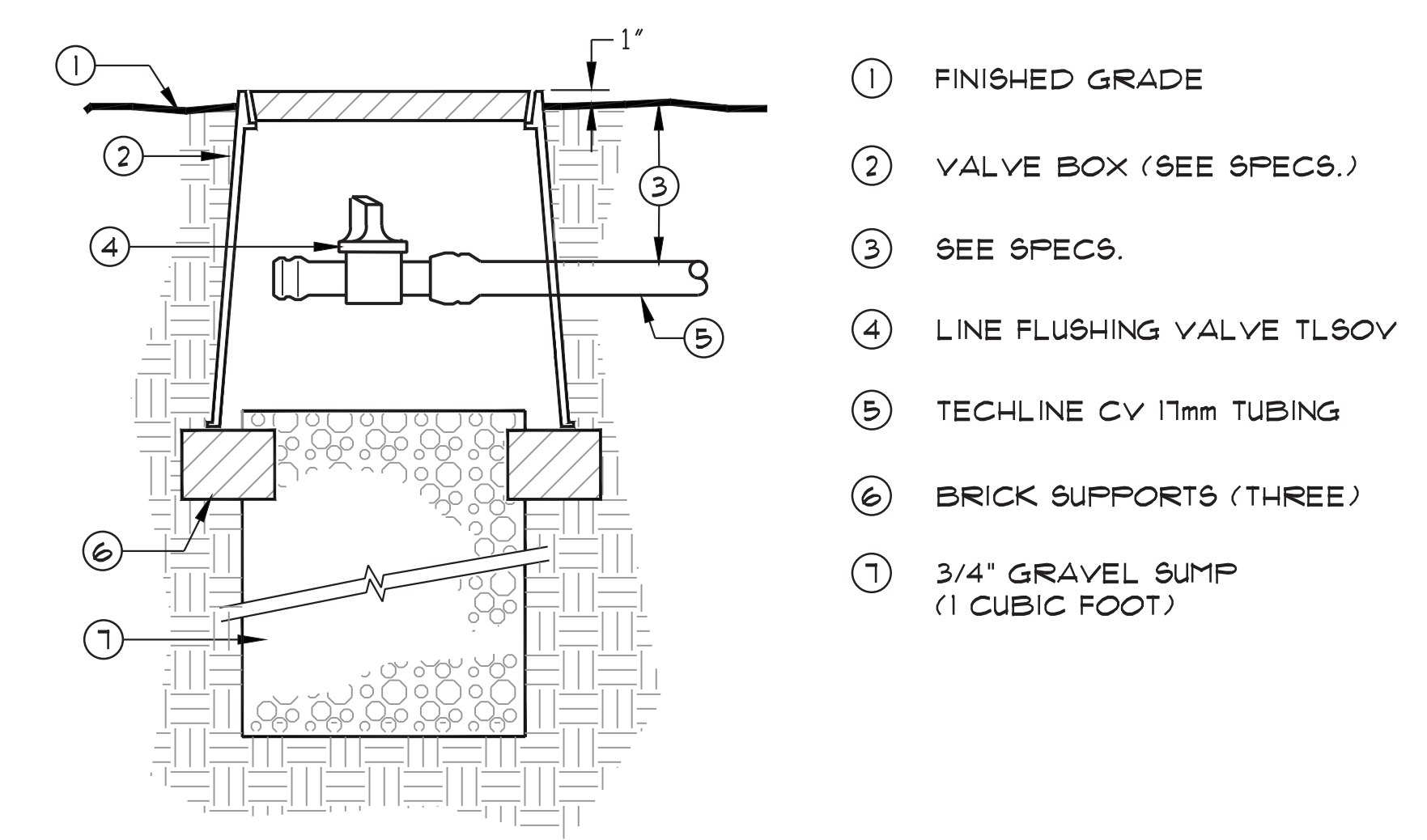
1. DRIPLINE LATERALS SHOULD FOLLOW THE CONTOURS OF THE SLOPE WHENEVER POSSIBLE.
2. INSTALL AIR RELIEF VALVE AT HIGHEST POINT.
3. TECHLINE NORMAL SPACING WITHIN THE TOP 2/3 OF SLOPE.
4. INSTALL TECHLINE AT NORMAL SPACING PLUS 25% AT THE BOTTOM 1/3 OF THE SLOPE.
5. WHEN ELEVATION CHANGE IS 10 FT. OR MORE, ZONE THE BOTTOM 1/3 ON A SEPARATE VALVE.

TECHLINE MAXIMUM LENGTH OF SINGLE LATERAL (FEET)									
DRIPLER SPACING	12"		18"		24"				
DRIPLER FLOW RATE (GPH)	0.4	0.6	0.9	0.4	0.6	0.9			
INLET PRESSURE (PSI)	15	292	233	175	410	322	247	405	308
	25	397	321	238	558	438	335	553	423
	35	486	365	279	656	514	394	649	497
	45	520	407	311	732	574	439	725	555
TECHLINE FLOW PER 100 FEET									
DRIPLER SPACING	0.4 GPH DRIPLER		0.6 GPH DRIPLER		0.9 GPH DRIPLER				
	GPH	GPM	GPH	GPM	GPH	GPM			
12"	40.00	0.67	61.00	1.02	92.00	1.53			
18"	26.67	0.44	41.00	0.68	61.00	1.02			
24"	N/A	N/A	31.00	0.51	46.00	0.77			

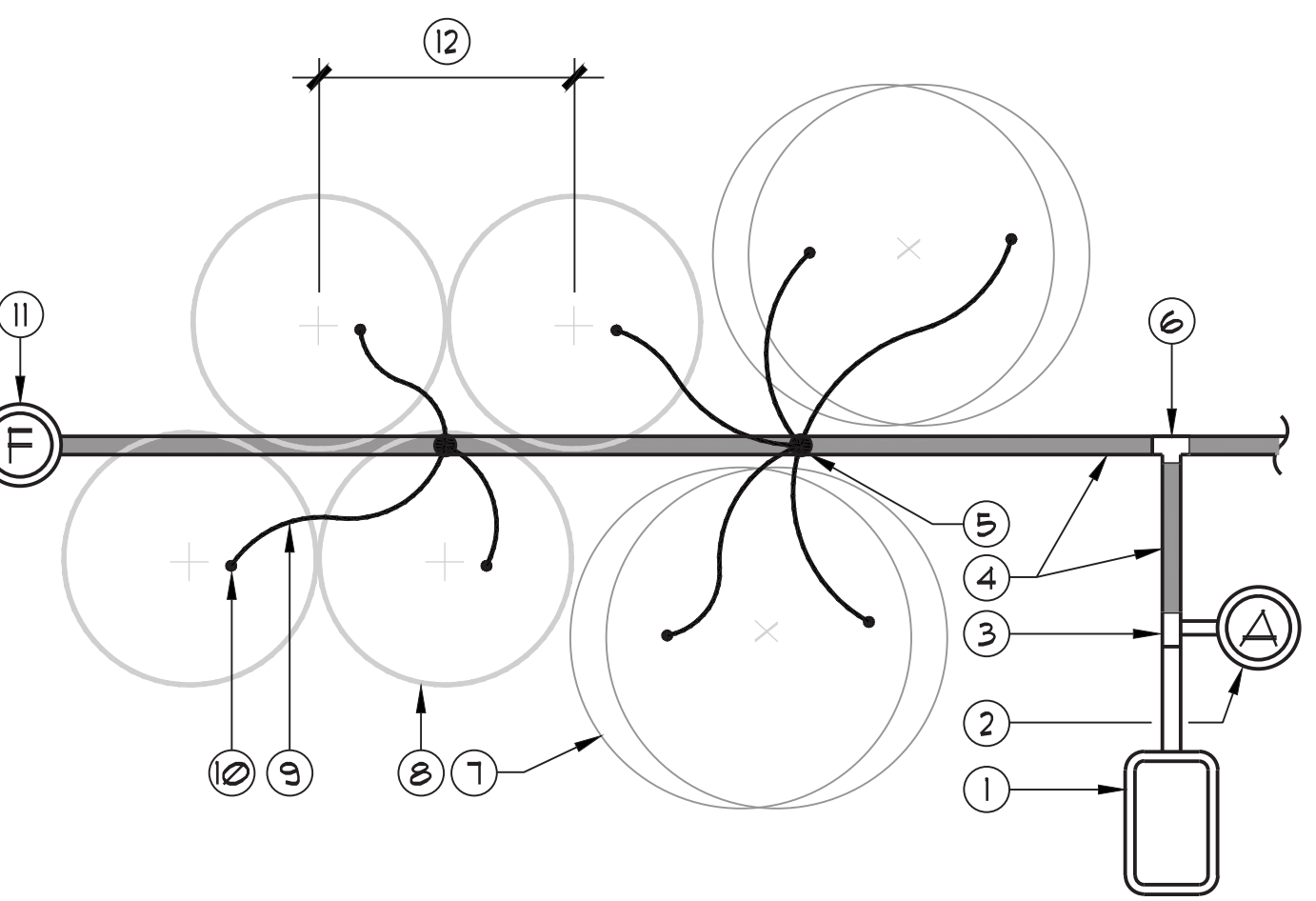


A TYPICAL NETAFIM TECHLINE CV REQUIREMENTS
NO SCALE

B DRIPPERLINE
NO SCALE

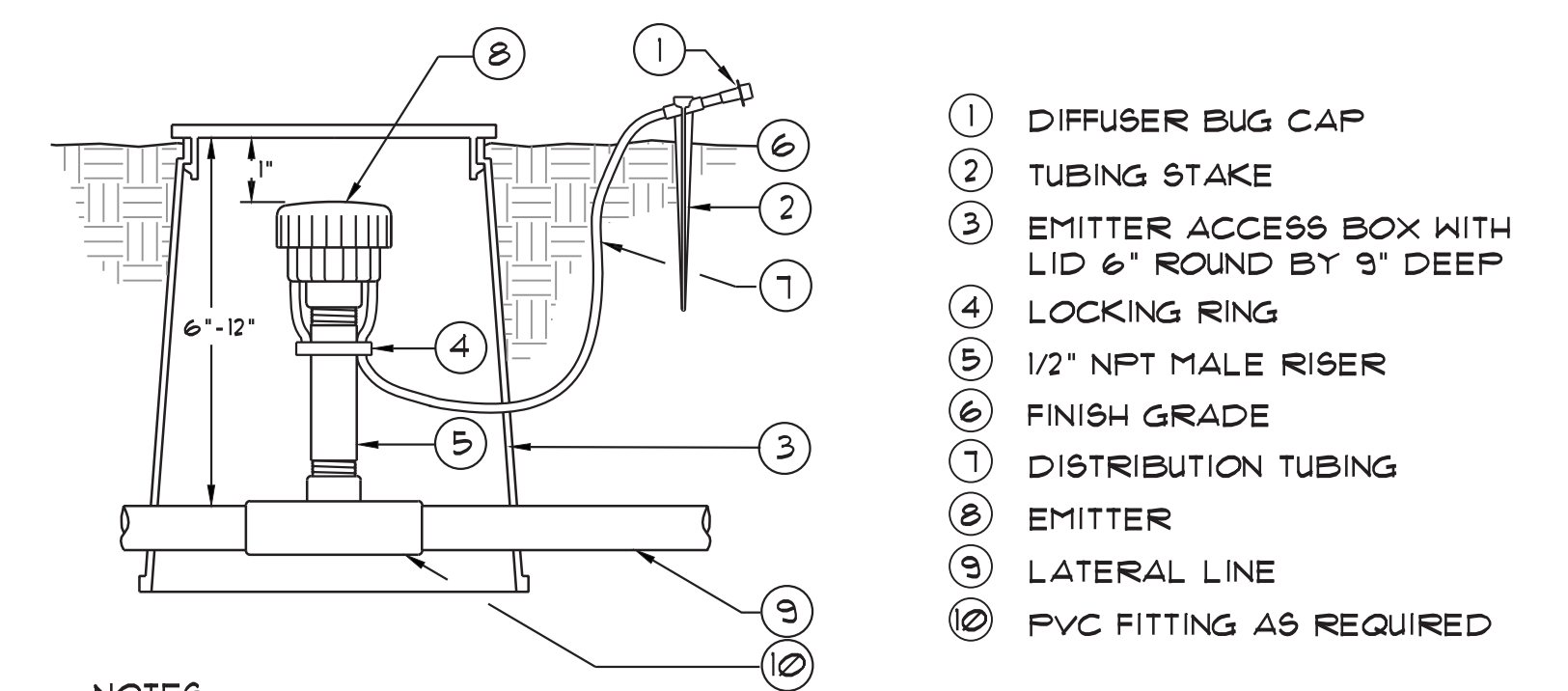


- ① FINISHED GRADE
- ② VALVE BOX (SEE SPECS.)
- ③ SEE SPECS.
- ④ LINE FLUSHING VALVE TL50V
- ⑤ TECHLINE CV 17mm TUBING
- ⑥ BRICK SUPPORTS (THREE)
- ⑦ 3/4" GRAVEL SUMP (1 CUBIC FOOT)



- ① REMOTE CONTROL VALVE
 - ② AIR VACUUM RELIEF VALVE, IF SPECIFIED (PLUMBED TO PVC PIPE AT HIGHEST POINT)
 - ③ COMPRESSION FITTING, PVC/POLY TUBE TRANSITION
 - ④ BLANK POLY TUBING
 - ⑤ MULTI-EXIT DEVICE
 - ⑥ COMPRESSION FITTING (AS REQUIRED)
 - ⑦ 5 GALLON SHRUB TO BE IRRIGATED INSTALL (2)-2 GPH EMITTERS PER 5 GALLON SHRUB
 - ⑧ 1 GALLON SHRUB TO BE IRRIGATED INSTALL (1)-1 GPH EMITTERS PER SHRUB
 - ⑨ 1/4" DISTRIBUTION TUBING
 - ⑩ BUG CAP/ DIFFUSER DEVICE
 - ⑪ FLUSH VALVE (PER LEGEND)
 - ⑫ SHRUB SPACING VARIES. SEE PLANTING PLAN FOR LAYOUT
- NOTES:**
1. COIL ADDITIONAL 9-INCHES OF TUBING IN VALVE BOX TO FACILITATE MAINTENANCE.
 2. INSTALL ALL THREADED FITTINGS WITH TEFLON TAPE, 1-1/2 TO 2 WRAPS.
 3. DRIP EMISSION POINTS FEEDING WATER TO NEW PLANTS SHOULD BE LOCATED MIDWAY BETWEEN THE EDGE OF THE ROOTBALL AND THE BASE OF THE PLANT.
 4. RELOCATE THE ROOTBALL EMISSION POINTS AWAY FROM PLANTS AS THEY MATURE.

D MULTI-EXIT DRIP EMITTER (TYPICAL LAYOUT)
NO SCALE



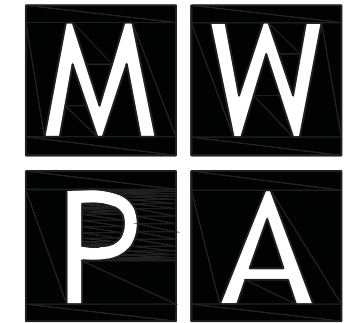
- ① DIFFUSER BUG CAP
- ② TUBING STAKE
- ③ EMITTER ACCESS BOX WITH LID 6" ROUND BY 9" DEEP
- ④ LOCKING RING
- ⑤ 1/2" NPT MALE RISER
- ⑥ FINISH GRADE
- ⑦ DISTRIBUTION TUBING
- ⑧ EMITTER
- ⑨ LATERAL LINE
- ⑩ PVC FITTING AS REQUIRED

- NOTES:**
1. COIL ADDITIONAL 9-INCHES OF TUBING IN VALVE BOX TO FACILITATE MAINTENANCE.
 2. INSTALL ALL THREADED FITTINGS WITH TEFLON TAPE, 1-1/2 TO 2 WRAPS.
 3. DRIP EMISSION POINTS FEEDING WATER TO NEW PLANTS SHOULD BE LOCATED MIDWAY BETWEEN THE EDGE OF THE ROOTBALL AND THE BASE OF THE PLANT.
 4. RELOCATE THE ROOTBALL EMISSION POINTS AWAY FROM PLANTS AS THEY MATURE.

E XERI-BIRD WITH PC EMITTERS IN VALVE BOX
NO SCALE

Drawing name: 11-016 ID: 049 Date: Jul 17, 2014 10:48am Drawn by: r. moos

L-2.6




MWPA
A CALIFORNIA CORPORATION
MW PELTZ + ASSOCIATES
LANDSCAPE ARCHITECTURE
SOLANA BEACH, CALIFORNIA
858.481.0888 / RLA 2010


**Plans for the Construction of
Los Penasquitos/Black Mountain
Ranger Station**

IRRIGATION DETAILS

CITY OF SAN DIEGO, CALIFORNIA
PUBLIC WORKS DEPARTMENT
SHEET 23 OF 32 SHEETS

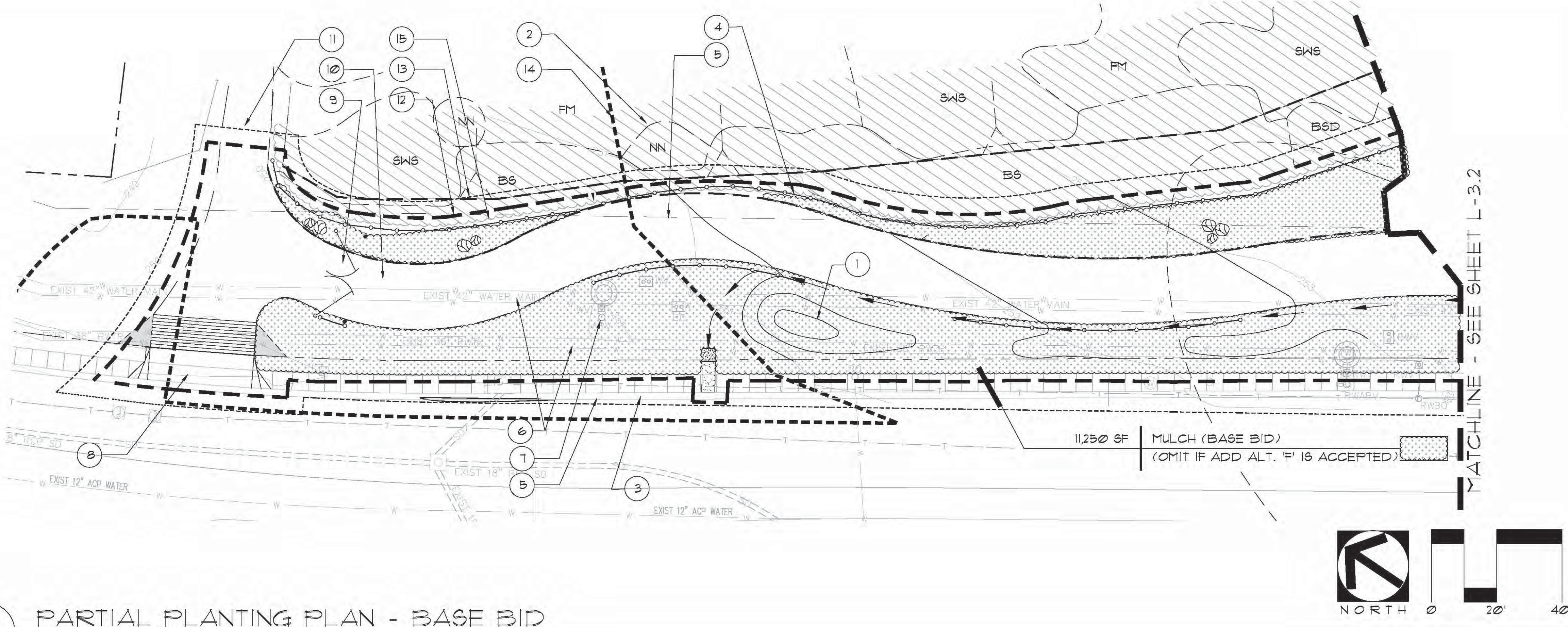
WBS: B-00619

APPROVED: 	DATE: 7/22/14	SUBMITTED BY: JASON GRANI PROJECT MANAGER
FOR CITY ENGINEER: ALI DARVISHI		ALI DARVISHI SECTION HEAD
PRINT NAME: ALI DARVISHI		287-1731 CCS27 COORDINATE
DESCRIPTION: ORIGINAL	BY: MWPA	6292407-1918444 CCS83 COORDINATE
CONTRACTOR: _____	DATE STARTED: _____	35048-23-D
INSPECTOR: _____	DATE COMPLETED: _____	



7/16/14
MICHAEL W. PELTZ, RLA 2010

Los Penasquitos/Black Mountain Ranger Station



A PARTIAL PLANTING PLAN - BASE BID
SCALE: 1"=20'

SHEET NOTES:

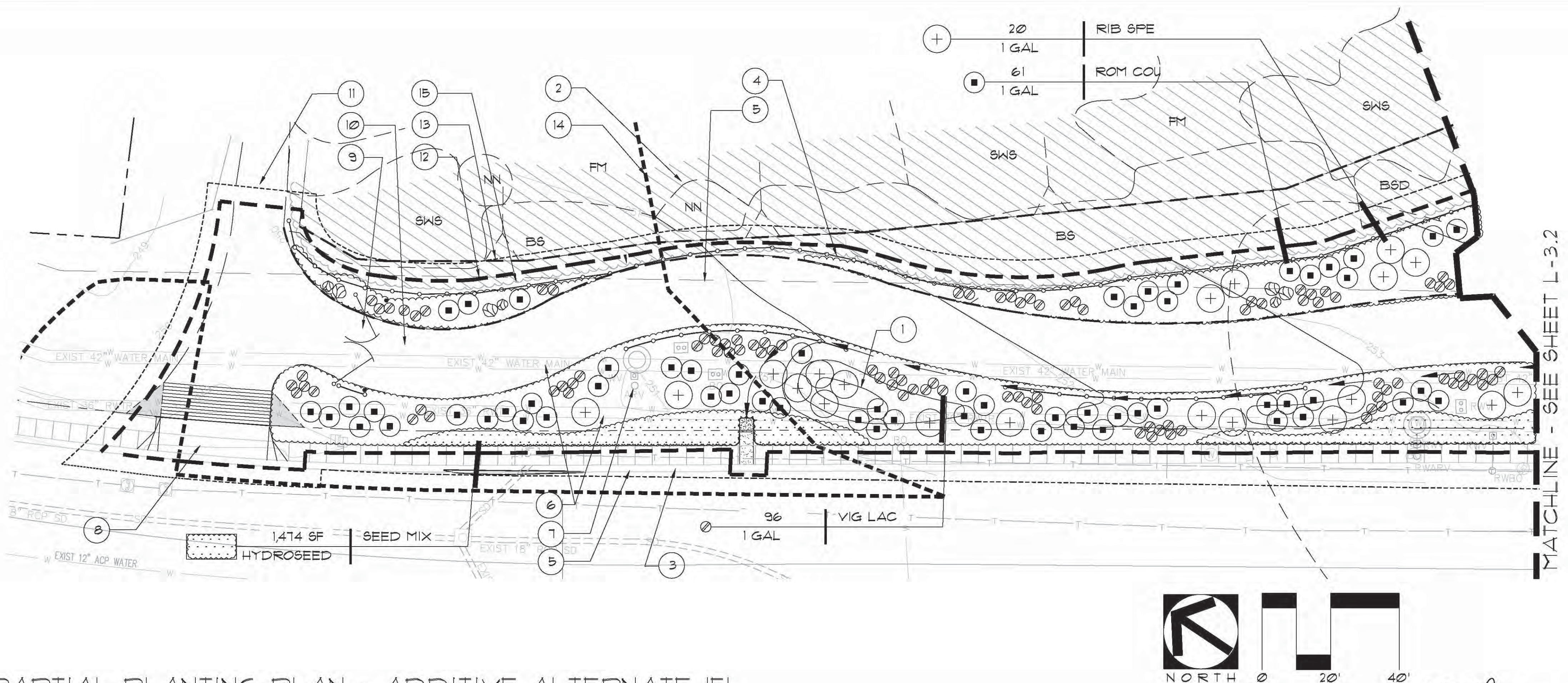
- 1 LANDSCAPE BERM (TYPICAL SYMBOL) - VERIFY EXACT LOCATION AND SHAPE WITH ENGINEER PRIOR TO CONSTRUCTION
- 2 EXISTING VEGETATION TO REMAIN - PROTECT IN PLACE WITH TEMPORARY CONSTRUCTION FENCE WITH SIGNS SPACED AT 100' ON CENTER ATTACHED TO CONSTRUCTION FENCE - LABEL SIGNS "PROTECTED HABITAT AREA - KEEP OUT"
- 3 EXISTING CONCRETE SIDEWALK TO REMAIN (PROTECT IN PLACE)
- 4 LIMIT OF WORK AT EXISTING VEGETATION
- 5 EXISTING WATER UTILITY EASEMENT - VERIFY EXACT LOCATION PRIOR TO CONSTRUCTION
- 6 EXISTING UNDERGROUND WATER PIPE - VERIFY EXACT LOCATION PRIOR TO CONSTRUCTION - PROTECT IN PLACE
- 7 EXISTING SURFACE UTILITIES - VERIFY EXACT LOCATION PRIOR TO CONSTRUCTION - PROTECT IN PLACE
- 8 EXISTING CONCRETE DRIVEWAY APPROACH TO REMAIN DURING CONSTRUCTION FOR ACCESS TO "HORSEMAN'S PARK" - SEE SHEET 1 FOR DEMOLITION AND REPLACING DRIVEWAY APPROACH
- 9 ACCESS GATE - SEE LANDSCAPE CONSTRUCTION PLAN (SHEET 12)
- 10 DECOMPOSED GRANITE ACCESS DRIVE - SEE LANDSCAPE CONSTRUCTION PLAN (SHEET 12)
- 11 ACCESS DRIVE TO "HORSEMAN'S PARK" TO REMAIN OPEN DURING CONSTRUCTION - SEE LANDSCAPE CONSTRUCTION PLAN (SHEET 12)
- 12 LIMIT OF WORK
- 13 LIMIT OF ADD. ALT. 'F'
- 14 MHPA BOUNDARY
- 15 EDGE OF EXISTING VEGETATION

NOTES:

1. SEE L-3.3 (SHEET 25) FOR PLANT LEGEND
2. SEE L-3.3 (SHEET 25) FOR BRUSH MANAGEMENT NOTES
3. NO TREES OR SHRUBS EXCEEDING THREE FEET IN HEIGHT AT MATURITY SHALL BE INSTALLED WITHIN TEN FEET OF ANY SEWER FACILITIES
4. SEE LANDSCAPE CONSTRUCTION PLAN (SHEET 12) FOR ADDITIONAL INFORMATION AND IMPROVEMENTS

ADJACENT VEGETATION COMMUNITIES ABBREVIATIONS:

FM	-	FRESHWATER MARSH
MFS	-	MULE FAT SCRUB
SWS	-	SOUTHERN WILLOW SCRUB
BS	-	BACCHARIS SCRUB
BSD	-	BACCHARIS SCRUB DISTURBED
NN	-	NON-NATIVE VEGETATION



B PARTIAL PLANTING PLAN - ADDITIVE ALTERNATE 'F'
SCALE: 1"=20'

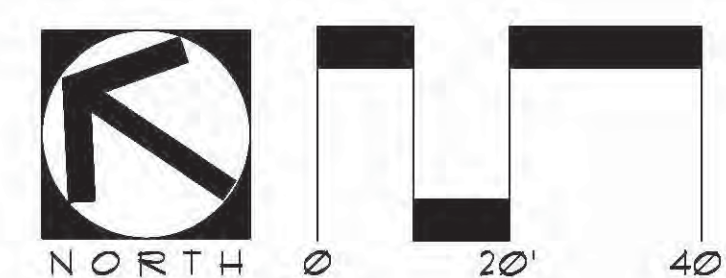
L-3.1



Plans for the Construction of Los Penasquitos/Black Mountain Ranger Station

LANDSCAPE PLANTING PLAN

CITY OF SAN DIEGO, CALIFORNIA PUBLIC WORKS DEPARTMENT SHEET 24 OF 32 SHEETS		WBS B-00619
APPROVED:	7/22/14 DATE	SUBMITTED BY: JASON GRANI PROJECT MANAGER
FOR CITY ENGINEER ALI DARVISHI PRINT NAME		ALI DARVISHI SECTION HEAD
DESCRIPTION	BY	APPROVED
ORIGINAL	MWPA	
No. 287-1731		
Exp. 8/31/15		
CONTRACTOR		DATE STARTED
INSPECTOR		DATE COMPLETED
		35048-24-D



Michael W. Peltz, RLA 2010
DATE 7/16/14

Drawing name: 06004_L3.1.dwg Date: Jul 16, 2014 5:02pm Drawn by: jgrani

Los Penasquitos/Black Mountain Ranger Station

SHEET NOTES:

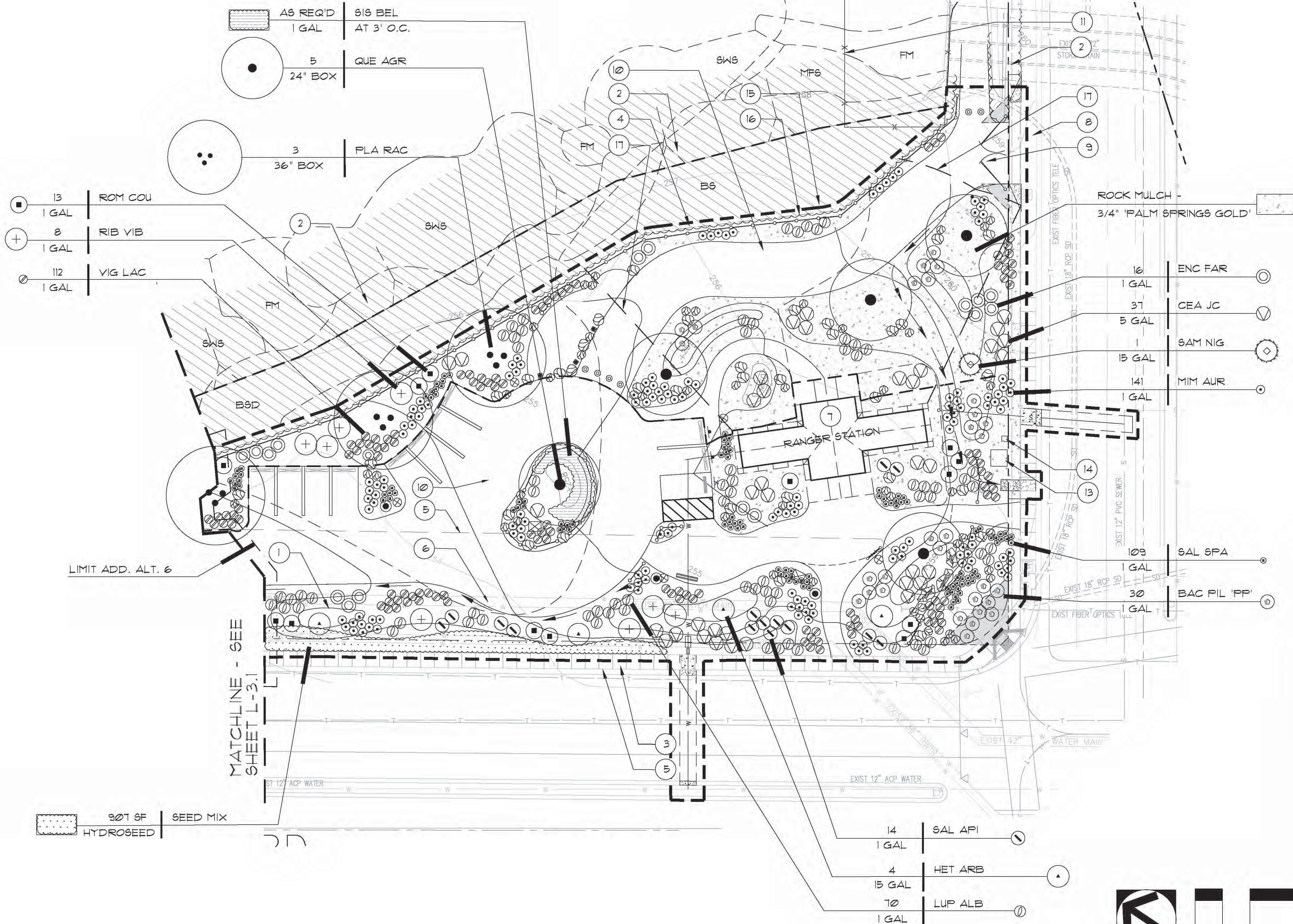
- 1 LANDSCAPE BERM (TYPICAL SYMBOL) - VERIFY EXACT LOCATION AND SHAPE WITH ENGINEER PRIOR TO CONSTRUCTION
- 2 EXISTING VEGETATION TO REMAIN - PROTECT IN PLACE WITH TEMPORARY CONSTRUCTION FENCE WITH SIGNS SPACED AT 100' ON CENTER ATTACHED TO CONSTRUCTION FENCE - LABEL SIGNS "PROTECTED HABITAT AREA - KEEP OUT"
- 3 EXISTING CONCRETE SIDEWALK TO REMAIN (PROTECT IN PLACE)
- 4 LIMIT OF WORK AT EXISTING VEGETATION
- 5 EXISTING WATER UTILITY EASEMENT - VERIFY EXACT LOCATION PRIOR TO CONSTRUCTION
- 6 EXISTING UNDERGROUND WATER PIPE - VERIFY EXACT LOCATION PRIOR TO CONSTRUCTION - PROTECT IN PLACE
- 7 RANGER STATION BUILDING - SEE RANGER STATION BUILDING BID PACKAGE FROM THE CITY FOR ADDITIONAL INFORMATION. VERIFY EXACT LOCATION WITH ENGINEER PRIOR TO CONSTRUCTION. COORDINATE BUILDING AND SITE WORK AS NEEDED
- 8 EXISTING CONCRETE DRIVEWAY TO REMAIN - PROTECT IN PLACE
- 9 ACCESS GATE - SEE LANDSCAPE CONSTRUCTION PLAN (SHEET 13)
- 10 DECOMPOSED GRANITE ACCESS DRIVE - SEE LANDSCAPE CONSTRUCTION PLAN (SHEET 13)
- 11 EXISTING CHAINLINK FENCE TO REMAIN - PROTECT IN PLACE
- 12 NOT USED
- 13 ELECTRICAL TRANSFORMER (SEE SHEET 29)
- 14 ELECTRICAL PEDESTAL (SEE SHEET 29)
- 15 LIMIT OF WORK
- 16 EDGE OF EXISTING VEGETATION
- 17 MODIFIED BRUSH MANAGEMENT ZONE 1, RANGING FROM 60' - 80', SHALL EXTEND FROM RANGER STATION STRUCTURE TO OUTER EDGE OF PEELER POLE FENCING WITH NO ZONE 2. BRUSH MANAGEMENT SHALL NOT EXTEND INTO THE LOS PENASQUITOS CANYON PRESERVE, WHICH IS CLASSIFIED AS A WETLAND AND THEREFORE EXEMPT FROM BRUSH MANAGEMENT.

NOTES:

1. SEE L-3.3 (SHEET 25) FOR PLANT LEGEND
2. SEE L-3.3 (SHEET 25) FOR BRUSH MANAGEMENT NOTES
3. NO TREES OR SHRUBS EXCEEDING THREE FEET IN HEIGHT AT MATURITY SHALL BE INSTALLED WITHIN TEN FEET OF ANY SEWER FACILITIES
4. SEE LANDSCAPE CONSTRUCTION PLAN (SHEET 13) FOR ADDITIONAL INFORMATION AND IMPROVEMENTS

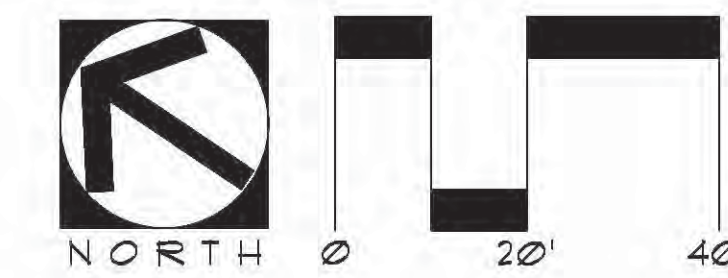
ADJACENT VEGETATION COMMUNITIES ABBREVIATIONS:
 FM - FRESHWATER MARSH
 MFS - MULE FAT SCRUB
 SWS - SOUTHERN WILLOW SCRUB
 BS - BACCHARIS SCRUB
 BSD - BACCHARIS SCRUB DISTURBED
 NN - NON-NATIVE VEGETATION

L-3.2



30T SF SEED MIX
 HYDROSEED

- 14 | SAL API | 1 GAL
- 4 | HET ARB | 1 GAL
- 10 | LUP ALB | 1 GAL



Michael W. Peltz
 MICHAEL W. PELTZ, RLA 2010 DATE 7/16/14



Plans for the Construction of Los Penasquitos/Black Mountain Ranger Station

LANDSCAPE PLANTING PLAN

CITY OF SAN DIEGO, CALIFORNIA
 PUBLIC WORKS DEPARTMENT
 SHEET 25 OF 32 SHEETS

WBS: B-00619

APPROVED: *Ali Darvishi* 7/22/14 DATE
 FOR CITY ENGINEER ALI DARVISHI PROJECT MANAGER
 PRINT NAME ALI DARVISHI SECTION HEAD

DESCRIPTION	BY	APPROVED	DATE	FILMED
ORIGINAL	MWPA			

287-1731
 CCS27 COORDINATE
 6292407-1918444
 CCS83 COORDINATE

CONTRACTOR DATE STARTED 35048-25-D
 INSPECTOR DATE COMPLETED

Drawing name: 06004_L3.2.dwg Date: Jul 16, 2014 5:02pm Drawn by: hpiene

A PARTIAL PLANTING PLAN - BASE BID
 SCALE: 1"=20'

Los Penasquitos/Black Mountain Ranger Station

BRUSH MANAGEMENT NOTES

THIS PROJECT FALLS NORTHEAST OF THE INTERSECTION OF MERCY ROAD AND BLACK MOUNTAIN ROAD.

ZONE 1 (MODIFIED)- 60-80 FEET WITH NO ZONE 2. NO BRUSH MANAGEMENT ACTIVITIES SHALL EXTEND INTO ADJACENT WETLAND HABITAT.

ZONE 1 REQUIREMENTS

- ZONE 1 SHALL BE MAINTAINED BY THE OWNER ON A REGULAR BASIS BY PRUNING AND THINNING PLANTS, CONTROLLING WEEDS AND MAINTAINING THE IRRIGATION SYSTEM.
- THE REQUIRED ZONE 1 WIDTH SHALL BE PROVIDED BETWEEN NATIVE OR NATURALIZED VEGETATION AND ANY STRUCTURE AND SHALL BE MEASURED FROM THE EXTERIOR OF THE STRUCTURE TO THE VEGETATION.
- ZONE 1 SHALL CONTAIN NO HABITABLE STRUCTURES, STRUCTURES THAT ARE DIRECTLY ATTACHED TO HABITABLE STRUCTURES, OR OTHER COMBUSTIBLE CONSTRUCTION THAT PROVIDES A MEANS FOR TRANSMITTING FIRE TO THE HABITABLE STRUCTURES. STRUCTURES SUCH AS FENCES, WALLS, PALAPAS, FLAT STRUCTURES, AND NONHABITABLE GAZEBOS THAT ARE LOCATED WITHIN BRUSH MANAGEMENT ZONE 1 SHALL BE OF NONCOMBUSTIBLE CONSTRUCTION.
- PLANTS WITHIN ZONE 1 SHALL BE PRIMARILY LOW-GROWING AND LESS THAN 4 FEET IN HEIGHT WITH THE EXCEPTION OF TREES. PLANTS SHALL BE LOW-FUEL AND FIRE-RESISTIVE.
- TREES WITHIN ZONE 1 SHALL BE LOCATED AWAY FROM STRUCTURES TO A MINIMUM DISTANCE OF 10 FEET AS MEASURED FROM THE STRUCTURES TO THE DRIP LINE OF THE TREE AT MATURITY IN ACCORDANCE WITH THE LANDSCAPE STANDARDS OF THE LAND DEVELOPMENT MANUAL.
- PERMANENT IRRIGATION IS REQUIRED FOR ALL PLANTING AREAS WITHIN ZONE 1 EXCEPT AS FOLLOWS:
 - WHEN PLANTING AREAS CONTAIN ONLY SPECIES THAT DO NOT GROW TALLER THAN 24 INCHES IN HEIGHT, OR
 - WHEN PLANTING AREAS CONTAIN ONLY NATIVE OR NATURALIZED SPECIES THAT ARE NOT SUMMER-DORMANT AND HAVE A MAXIMUM HEIGHT AT PLANT MATURITY OF LESS THAN 24 INCHES.
- ZONE 1 IRRIGATION OVERSPRAY AND RUNOFF SHALL NOT BE ALLOWED INTO ADJACENT AREAS OF NATIVE OR NATURALIZED VEGETATION.

MAINTENANCE NOTES:

- GENERAL MAINTENANCE - REGULAR INSPECTIONS AND LANDSCAPE MAINTENANCE ARE NECESSARY TO MINIMIZE THE POTENTIAL DAMAGE OR LOSS OF PROPERTY FROM BRUSH FIRES AND OTHER NATURAL HAZARDS SUCH AS EROSION AND SLOPE FAILURES. BECAUSE EACH PROPERTY IS UNIQUE ESTABLISHING A PRECISE MAINTENANCE SCHEDULE IS NOT FEASIBLE. FOR EFFECTIVE FIRE AND WATERSHED MANAGEMENT, HOWEVER, PROPERTY OWNERS SHOULD EXPECT TO PROVIDE MAINTENANCE ACCORDING TO EACH BRUSH MANAGEMENT ZONE: ZONE 1: YEAR-ROUND MAINTENANCE. BRUSH MANAGEMENT ACTIVITIES ARE PROHIBITED WITHIN COASTAL SAGE SCRUB, MARITIME SUCCULENT SCRUB, AND COASTAL SAGE-CHAPARRAL HABITATS FROM MARCH 1 THROUGH AUGUST 15, EXCEPT WHERE DOCUMENTED TO THE SATISFACTION OF THE CITY MANAGER THAT THE THINNING WOULD BE CONSISTENT WITH CONDITIONS OF SPECIES COVERAGE DESCRIBED IN THE CITY OF SAN DIEGO'S MSCF SUBAREA PLAN.
- BRUSH MANAGEMENT ZONE 1 - THIS IS THE MOST CRITICAL AREA FOR FIRE AND WATERSHED SAFETY. ALL ORNAMENTAL PLANTINGS SHOULD BE KEPT WELL WATERED AND ANY IRRIGATION RUN-OFF SHOULD DRAIN TOWARD THE STREET. RAIN GUTTERS AND DRAINAGE PIPES SHOULD BE CLEANED REGULARLY AND ALL LEAVES REMOVED FROM THE ROOF BEFORE THE FIRE SEASON BEGINS. ALL PLANTING, PARTICULARLY NON-IRRIGATED NATIVES, AND LARGE TREES SHOULD BE REGULARLY PRUNED TO ELIMINATE DEAD FUELS, TO REDUCE EXCESSIVE FUEL AND TO PROVIDE ADEQUATE SPACE BETWEEN PLANTS AND STRUCTURES.
- LONG-TERM MAINTENANCE RESPONSIBILITY - ALL LANDSCAPING/BRUSH MANAGEMENT WITHIN THE BRUSH MANAGEMENT ZONES AS SHOWN ON THESE PLANS SHALL BE THE RESPONSIBILITY OF THE OWNER. THE BRUSH MANAGEMENT ZONE AREAS SHALL BE MAINTAINED FREE OF DEBRIS AND LITTER AND ALL PLANT MATERIAL SHALL BE MAINTAINED IN A HEALTHY GROWING CONDITION.

PLANT MATERIAL LEGEND

SYMBOL	BOTANICAL NAME	COMMON NAME	MIN. SIZE	MIN. HT.	SPRD.	REMARKS	SDRSD DETAIL	DETAIL (L-3.4)
TREES								
PLA RAC	PLATANUS RACEMOSA	CALIFORNIA SYCAMORE	36" BOX	6'	4'	STANDARD, FULL HEAD, GOOD COLOR, DOUBLE STAKE	SDL-101*	A
QUE AGI	QUERCUS AGRIFOLIA	COAST LIVE OAK	24" BOX	6'	4'	STANDARD, FULL HEAD, GOOD COLOR, DOUBLE STAKE	SDL-101*	A
SHRUBS								
CEA JC	CEANOTHUS 'JOYCE COULTER'	CALIFORNIA LILAC	5 GAL	20"	16"	FULL AND CLUMPING, SPREADING, GOOD COLOR	SDL-102*	
ENC FAR	ENCELIA FARINOSA	BRITTLEBRUSH	5 GAL	20"	16"	FULL AND CLUMPING, SPREADING, GOOD COLOR	SDL-102*	
HET ARB	HETEROMELES ARBUTIFOLIA	TOYON	15 GAL	20"	16"	FULL AND CLUMPING, UPRIGHT, GOOD COLOR	SDL-102*	
LUP ALB	LUPINUS ALBIFRONS	SILVER BUSH LUPINE	1 GAL	14"	12"	FULL AND BUSHY TO THE GROUND, GOOD COLOR	SDL-102*	
MIM AUR	MIMULUS AURANTIACUS	STICKY MONKEY FLOWER	1 GAL	14"	12"	FULL AND BUSHY TO THE GROUND, GOOD COLOR	SDL-102*	
RIB SPE	RIBES SPECIOSUM	FUSCHIA-FLOWERING GOOSEBERRY	1 GAL	20"	16"	FULL AND CLUMPING, UPRIGHT, GOOD COLOR	SDL-102*	
ROM COU	ROMNEYA COULTERI	MATILAJA POPPY	1 GAL	10"	8"	FULL AND BUSHY TO THE GROUND, GOOD COLOR	SDL-102*	
SAL API	SALVIA APIANA	CALIFORNIA WHITE SAGE	5 GAL	20"	16"	FULL AND CLUMPING, UPRIGHT, GOOD COLOR	SDL-102*	
SAL SPA	SALVIA SPATHACEA	HUMMINGBIRD SAGE	1 GAL	10"	8"	FULL AND CLUMPING, UPRIGHT, GOOD COLOR	SDL-102*	
SAM NIG	SAMBUCUS NIGRA	BLACK ELDER	15 GAL	24"	18"	FULL AND CLUMPING, UPRIGHT, GOOD COLOR	SDL-102*	
VIG LAC	VIGUIERA LACINIATA	SAN DIEGO SUNFLOWER	1 GAL	18"	16"	FULL AND CLUMPING, UPRIGHT, GOOD COLOR	SDL-102*	
GROUNDCOVERS								
BAC PIL 'PP'	BACCHARIS PILULARIS 'PIGEON POINT'	DWARF COYOTE BUSH	1 GAL	10"	14"	FULL AND BUSHY TO THE GROUND, GOOD COLOR	SDL-102*	
SIS BEL	SISYRINCHUM BELLEUM	BLUE-EYED GRASS	1 GAL	10"	8"	FULL AND BUSHY TO THE GROUND, GOOD COLOR	SDL-102*	

* OMIT PLANT TABLETS FROM SDRSD DETAIL. PLANT TABLETS ARE NOT REQUIRED

HYDRO-SEED MIX	
SPECIES	PURE LIVE SEED LBS/ACRE
ESCHSCHOLZIA CALIFORNICA (CALIFORNIA POPPY)	3.0
LAESTHENIA CALIFORNICA (GOLDEN FIELDS)	3.0
LOTUS SCOPARIUS (CALIFORNIA BROOM)	4.0
LUPINUS TRUNCATUS (TRUNCATE-LEAF LUPINE)	3.0
MIMULUS AURANTIACUS (MONKEY-FLOWER)	2.0
SISYRINCHUM BELLUM (BLUE-EYED GRASS)	2.0
TOTAL @ LBS/ACRE 17.0	
SLURRY MIX	
MULCH	2000 LBS / ACRE
BINDER	120 LBS / ACRE
PRE-PLANT FERTILIZER	PER SOILS TESTS
SEED RATE	16 LBS / ACRE
NOTE: INSTALL NATIVE HYDROSEED MIX AT OPTIMUM TIME OF GERMINATING NATIVE SEED (SEE SEED SUPPLIER'S RECOMMENDATIONS). PROVIDE WADDLES AND OTHER EROSION CONTROL DEVICES TO CONTROL EROSION IN THE INTERIUM.	

PLANTING NOTES

- ALL PLANTING AREAS WITH SLOPES LESS THAN 2:1 SHALL RECEIVE A MINIMUM 2" THICK LAYER OF 'GORILLA MULCH' OR 'GORILLA HAIR MULCH' UNLESS SPECIFIED AS ROCK MULCH ON THESE PLANS.
- ALL PLANTING AREAS WITH SLOPES OF 3:1 OF GREATER SHALL RECEIVE EROSION CONTROL FABRIC.
- ALL ROCK AND DEBRIS LARGER THAN ONE INCH (1") SHALL BE REMOVED FROM ALL PLANTING AREAS. DISPOSE OF ALL DEBRIS OFF SITE, OR AS DIRECTED BY THE ENGINEER.
- SLOPE FINISHED GRADE OF ALL PLANTING AREAS TO DRAIN (COORDINATE WITH CIVIL DRAWINGS).
- ALL LANDSCAPE SHALL BE FULLY WATERED-IN UPON PLANTING. DO NOT RELY SOLELY UPON THE SPRINKLER SYSTEM. UTILIZE SUPPLEMENTAL HOSE WATERING AS REQUIRED, INITIALLY AND DURING THE PLANT ESTABLISHMENT PERIOD, TO ENSURE ALL PLANTINGS RECEIVE ADEQUATE WATER TO THE ENTIRE ROOT ZONE.
- CONTRACTOR SHALL SUBMIT A MINIMUM OF (3) 1-PINT SOIL SAMPLES FOR AGRICULTURAL SUITABILITY SOILS TESTING. COLLECT SOIL SAMPLES WITHIN PROPOSED PLANTER AREAS FROM THE EAST, SOUTH AND WEST SIDES OF THE SITE, AFTER THE COMPLETION OF GRADING OPERATIONS. PROVIDE (1) COPY OF THE SOIL REPORTS AND RECOMMENDATIONS ALONG WITH THE REQUIRED PRODUCT SUBMITTALS (SEE SPECIFICATIONS) PRIOR TO THE BEGINNING OF WORK.

L-3.3

Drawing name: 06004_L3.3.dwg Date: Jul 16, 2014 5:03pm Drawn by: jhigiera

Michael W. Peltz
MICHAEL W. PELTZ, RLA 2010 DATE 7/16/14

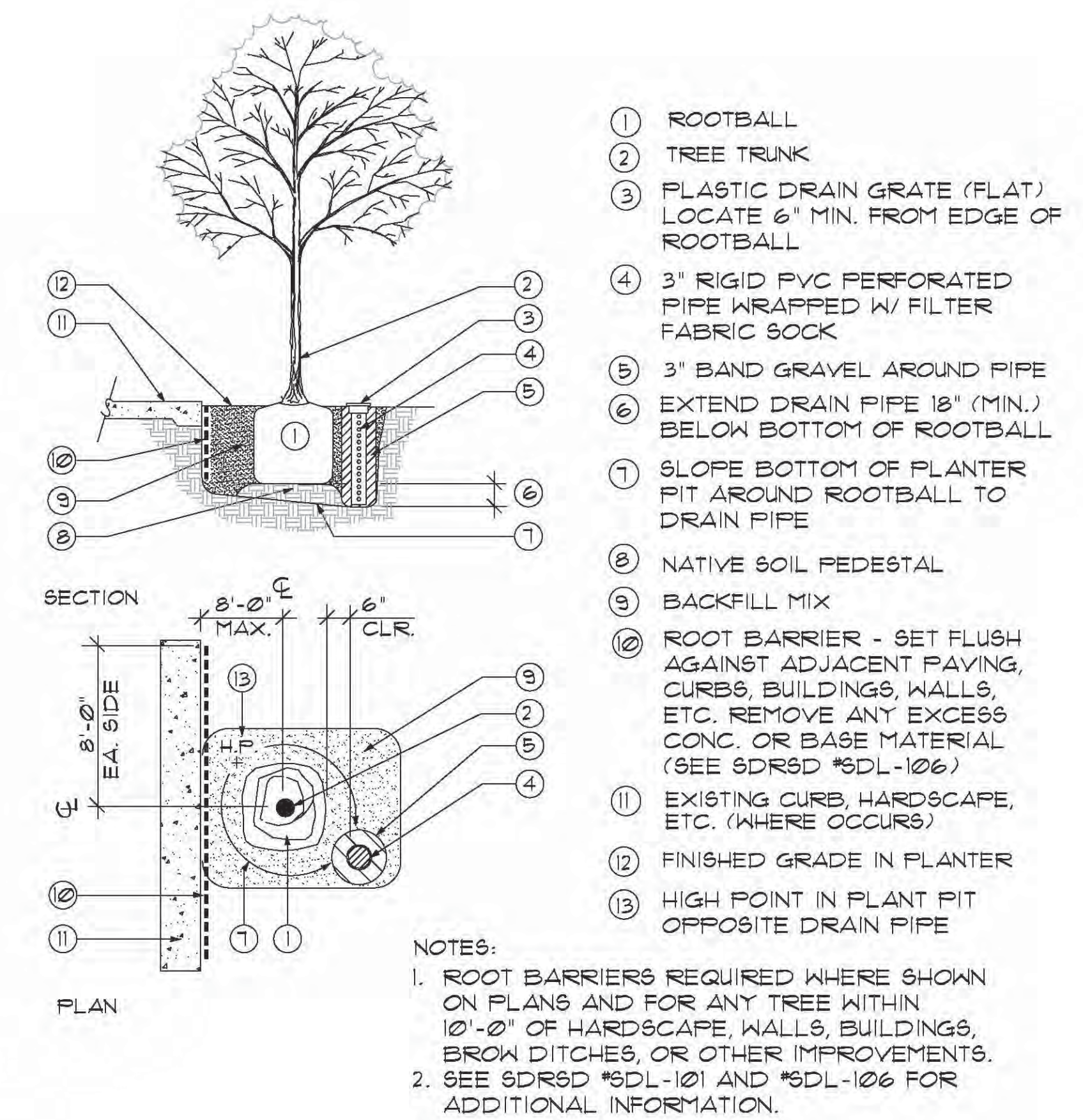


Plans for the Construction of Los Penasquitos/Black Mountain Ranger Station

LANDSCAPE PLANT MATERIAL LEGEND AND NOTES

CITY OF SAN DIEGO, CALIFORNIA PUBLIC WORKS DEPARTMENT SHEET 26 OF 32 SHEETS		WBS B-00619
APPROVED: FOR CITY ENGINEER ALI DARVISHI PRINT NAME	7/22/14 DATE	SUBMITTED BY: JASON GRANI PROJECT MANAGER ALI DARVISHI SECTION HEAD
DESCRIPTION	BY	APPROVED
ORIGINAL	MWPA	
287-1731 CCS27 COORDINATE		6292407-1918444 CCS83 COORDINATE
CONTRACTOR	DATE STARTED	35048-26-D
INSPECTOR	DATE COMPLETED	

Los Penasquitos/Black Mountain Ranger Station



A TREE DRAIN W/ ROOT BARRIER
NO SCALE

L-3.4

**Plans for the Construction of
Los Penasquitos/Black Mountain
Ranger Station**

LANDSCAPE PLANTING DETAILS

WBS B-00619

CITY OF SAN DIEGO, CALIFORNIA
PUBLIC WORKS DEPARTMENT
SHEET 27 OF 32 SHEETS

APPROVED: 7/22/14
FOR CITY ENGINEER ALI DARVISHI DATE

PRINT NAME: ALI DARVISHI
SECTION HEAD

DESCRIPTION	BY	APPROVED	DATE	FILMED
ORIGINAL	MWPA			

CONTRACTOR _____ DATE STARTED _____
INSPECTOR _____ DATE COMPLETED _____

287-1731
CCS27 COORDINATE
6292407-1918444
CCS83 COORDINATE

35048-27-D

Drawing name: 06004_L3.4.dwg Date: Jul 16, 2014 5:04pm Drawn by: hysiere

7/16/14
MICHAEL W. PELTZ, RLA 2010 DATE

LIGHTING FIXTURE SCHEDULE							
ITEM	TYPE	ALTERNATE MANUFACTURER	LAMPS		CIRCUIT VOLTS	WATTAGE	COMMENTS
			TYPE	NUMBER			
A	DELTA LIGHTING SYSTEMS LPA-TM-90-FT	-	1-90LPS	1	208	125	18' POLE MOUNTED WALKWAY LIGHT. PROVIDE WIRE MESH OVER LENS OF FIXTURE TO PROTECT AGAINST VANDALS

GENERAL NOTES

1. MAINTAIN FIVE FEET SEPARATION FROM TREE TRUNK. VERIFY EXACT ROUTING IN FIELD WITH LANDSCAPE ARCHITECT.
2. THE CONTRACTOR SHALL VISIT THE SITE INCLUDING ALL AREA INDICATED ON THE DRAWINGS. THEY SHALL THOROUGHLY FAMILIARIZE THEMSELVES WITH THE EXISTING CONDITIONS AND BY SUBMITTING A BID ACCEPTS CONDITIONS UNDER WHICH THEY SHALL BE REQUIRED TO PERFORM THEIR WORK.
3. LOCATE ALL UNDERGROUND UTILITIES PRIOR TO THE START OF TRENCHING. CONTRACTOR SHALL HIRE A LOCATOR SERVICE TO MARK ALL EXISTING UTILITIES PRIOR TO TRENCH WORK.
4. ALL OUTAGES SHALL BE COORDINATED WITH 72 HOURS IN ADVANCE TO THE OWNER.
5. REPAIR/REPLACE ALL IRRIGATION SYSTEM COMPONENTS DAMAGED DURING TRENCH WORK.

LIGHTING FIXTURE GENERAL COMMENTS

1. ALL BALLAST SHALL BE CLASS HPF, C.B.M., E.T.L CERTIFIED CLASS 'P' EQUAL TO UNIVERSAL 'ENERGY SAVER', SLH SERIES OF QUIETEST SOUND RATING AVAILABLE, PROVIDE LOW TEMPERATURE BALLASTS FOR OUTDOOR MOUNTED FIXTURES.
2. THE CONTRACTOR SHALL VERIFY THE TYPE OF CEILING BEFORE ORDERING ANY FIXTURES. HE IS FULLY RESPONSIBLE TO PROVIDE ALL MOUNTING BRACKETS TO FIT CEILING CONDITIONS AT NO EXTRA COST TO THE OWNER.
3. ALL FIXTURES SHALL BE U.L. LABEL AND SHALL BE LISTED FOR THERMAL BARRIER WHERE IN CONTACT WITH INSULATION.
4. ALL LIGHTING SHALL BE INSTALLED AND CONNECTED IN ACCORDANCE WITH MANUFACTURER'S INSTRUCTIONS, UNLESS NOTED OTHERWISE.
5. OUTDOOR FIXTURES SHALL BE APPROVED FOR DAMP LOCATION. FIXTURES EXPOSED TO RAIN OR WATER SHALL BE APPROVED FOR WET LOCATION.
6. CONTRACTOR SHALL BE RESPONSIBLE FOR THE ORDERING OF PROPER TYPES OF TRIMS FOR ALL RECESSED FLUORESCENT, INCANDESCENT AND HID FIXTURES TO FIT THE CEILING BEING INSTALLED.
7. FINISH OF TRIMS OF ALL RECESSED FLUORESCENT, INCANDESCENT AND HID FIXTURES SHALL MATCH CEILING FINISH AND AS DIRECTED BY ARCHITECT.
8. RECESSED FIXTURES SHALL BE PREWIRED TO ATTACHED J-BOX IN ACCORDANCE WITH LOCAL CODE REQUIREMENTS, FIXTURES SHALL BE APPROVED FOR THE MAXIMUM NUMBER OF WIRES GOING INTO AND OUT OF THE FIXTURES AS SHOWN ON PLANS.
9. ACRYLIC LENS SHALL BE 100% PURE ACRYLIC.
10. VERIFY LETTER SIZE AND COLOR OF INTERNALLY ILLUMINATED EXIT SIGNS WITH LOCAL AUTHORITIES PRIOR TO SUBMITTAL OF SHOP DRAWINGS.
11. STEM LENGTHS OF PENDANT FIXTURES SHALL BE OF ONE PIECE WITHOUT COUPLING SWITH FINISH TO MATCH CANOP AND WITH SWIVEL HANGER LEGALLY APPROVED FOR WEIGHT SUPPORTED AND FOR EARTHQUAKE PROTECTION. PROVIDE WEDGE TYPE CANOPY FOR FIXTURES TO BE INSTALLED ON SLOPED CEILINGS.
12. M.H. LAMPS SHALL BE MANUFACTURED BY G.E. WESTINGHOUSE OR SYLVANIA.
13. ALL FLUORESCENT FIXTURES OF ALL SIZES, SURFACE MOUNTED OR RECESSED IN SUSPENDED CEILING SHALL BE INDEPENDENTLY SUPPORTED BY TWO #12 SLACK WIRES ATTACHED TO TWO OPPOSITE CORNERS OF THE FIXTURES. THESE WIRES SHALL BE SECURED TO THE SOLID STRUCTURE FROM WHICH THE CEILING IS SUSPENDED IN SUCH A MANNER THAT FAILURE OF THE SUSPENDED CEILING WILL NOT CAUSE THE FIXTURES TO DROP. THESE WIRES SHALL BE IN ADDITION TO ANY ELECTRICAL STANDARDS MOUNTING SUPPORT.

ELECTRICAL SYMBOLS LEGEND

GENERAL SYMBOLS

NOTE REFERENCE
 NOTE REFERENCE
 DETAIL NUMBER DESIGNATION
 SHEET DETAIL APPEARS ON
 DETAIL OR SECTION REFERENCES IN NOTES
 INDICATES MOUNTING HEIGHT ABOVE FINISHED FLOOR
 LIGHTING FIXTURE SCHEDULE REFERENCE

WIRE & RACEWAY SYSTEMS

CONDUIT INSTALLED UNDERGROUND
 CONDUIT TERMINATED AND CAPPED
 HOMERUN TO PANELBOARD. CROSS MARKS, IF SHOWN, INDICATE NUMBER OF WIRES. FEEDER OR CIRCUIT NUMBERS AS NOTED UNLESS OTHERWISE INDICATED (GROUND WIRE NOT SHOWN):

SERVICE EQUIPMENT

TRANSFORMER, FLOOR MOUNTING TYPE. (PLAN VIEW)
 HANDHOLE

LIGHTING

LUMINAIRE(S) MOUNTED ON POLE

RECEPTACLES

GROUND FAULT RECEPTACLE

SINGLE LINE DIAGRAM

GROUNDING ELECTRODE
 CIRCUIT BREAKER
 NORMALLY CLOSED/ OPEN CONTACTS
 TRANSFORMER - SINGLE LINE DIAGRAM

ABBREVIATIONS

AIC AVAILABLE INTERRUPTING CAPACITY
 WP WEATHERPROOF
 GND EQUIPMENT GROUND
 X, EXST EXISTING EQUIPMENT TO REMAIN

MISCELLANEOUS

SERVICE PEDESTAL
 SURFACE
 FLUSH
 PANELBOARD

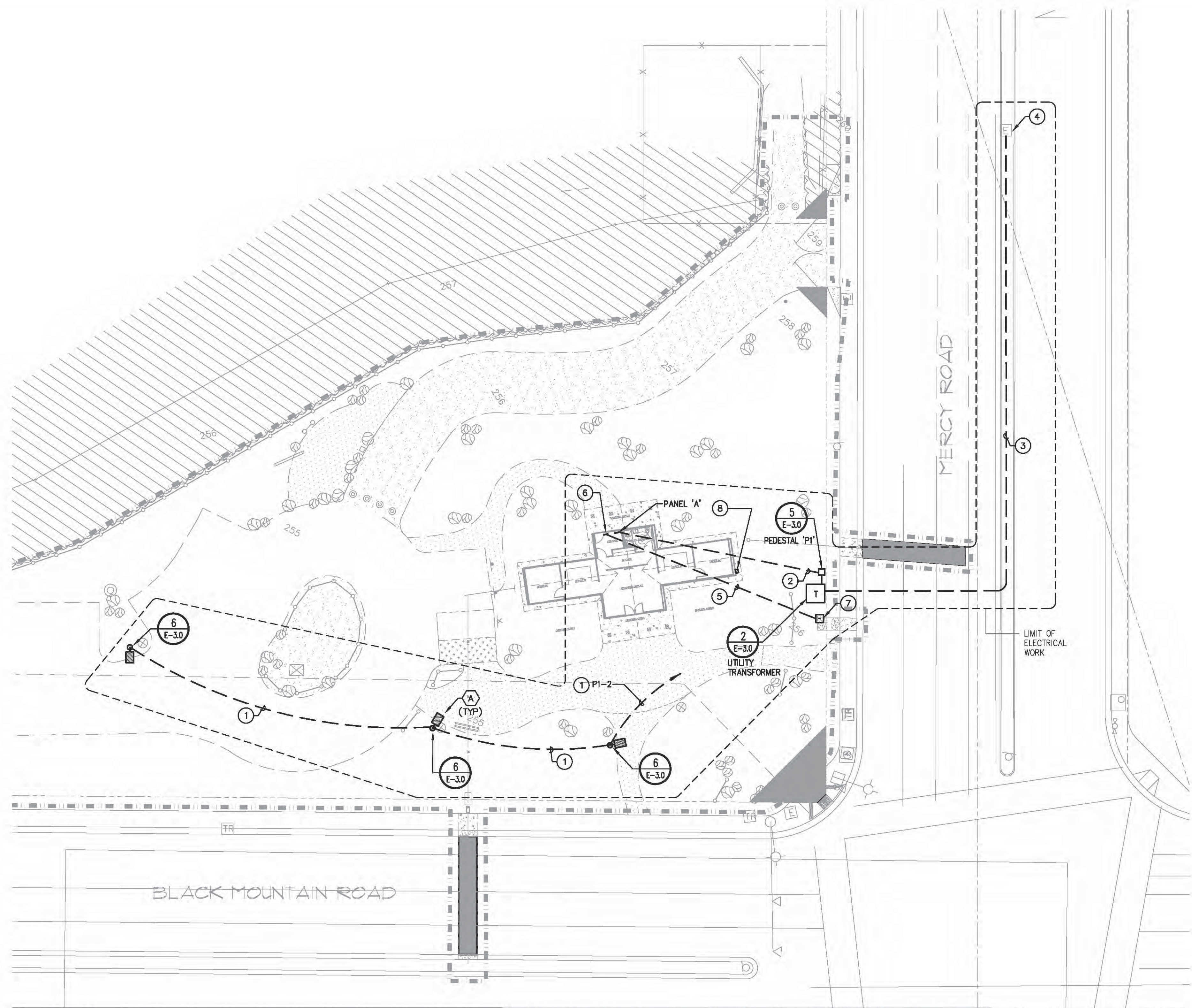
E-1.0

 LSW Engineers CALIFORNIA, INCORPORATED 5540 Ruffin Road, Suite 1 San Diego, CA 92123 www.lswd.com Telephone 858.268.3224 Facsimile 858.268.1739 Project No. © 2009 LSW Engineers California, Inc.	Plans for the Construction of Los Penasquitos/Black Mountain Ranger Station		WBS B-00619										
	ELECTRICAL SYMBOLS NOTES AND SCHEDULE												
CITY OF SAN DIEGO, CALIFORNIA PUBLIC WORKS DEPARTMENT SHEET 28 OF 32 SHEETS													
APPROVED: FOR CITY ENGINEER ALI DARVISHI PRINT NAME	DATE 7/22/14	SUBMITTED BY: JASON GRANI PROJECT MANAGER											
<table border="1"> <thead> <tr> <th>DESCRIPTION</th> <th>BY</th> <th>APPROVED</th> <th>DATE</th> <th>FILMED</th> </tr> </thead> <tbody> <tr> <td>ORIGINAL</td> <td>LSW</td> <td></td> <td></td> <td></td> </tr> </tbody> </table>	DESCRIPTION	BY	APPROVED	DATE	FILMED	ORIGINAL	LSW				ALI DARVISHI SECTION HEAD		287-1731 CCS27 COORDINATE 6292407-1918444 CCS83 COORDINATE
DESCRIPTION	BY	APPROVED	DATE	FILMED									
ORIGINAL	LSW												
CONTRACTOR _____ INSPECTOR _____	DATE STARTED _____ DATE COMPLETED _____	35048-28-D											

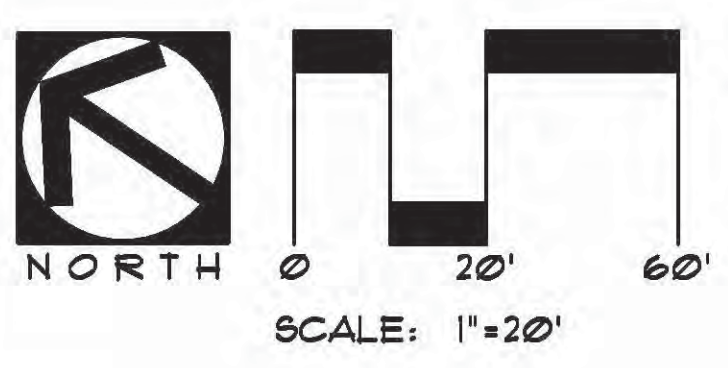
ERKAN BISEVAC R.C.E. C17159 7-9-14 DATE

Los Penasquitos/Black Mountain Ranger Station

FILE NAME: F:\Projects\200\15\Drawings\200\15\2.0.dwg\PRINT DATE: Jul 09, 2014: 5:40 pm\PRINTED BY: shpk



- ### KEY NOTES
- ① 1" C-2#8, 1#6 GND. FULL LENGTH OF CIRCUIT.
 - ② 2" C-4#1, 1#6 GND.
 - ③ (1) 4" CONDUIT WITH 42" MINIMUM COVER AND 1/4" NYLON PULL ROPE FOR PRIMARY ELECTRICAL FEEDER.
 - ④ EXISTING SDGE HANDHOLE.
 - ⑤ (1) 2" CONDUITS WITH 1/4" NYLON PULL ROPE AND "MULE TAPE" FOR 25 PAIR PHONE CABLE. TELEPHONE COMPANY SHALL LAND CABLE AT TELEPHONE CABINET. ALL RUNOUTS FROM CABINET TO OUTLETS BY ELECTRICAL CONTRACTOR. VERIFY POC IN FIELD.
 - ⑥ FUTURE TELEPHONE BACKBOARD LOCATED WITHIN EXTERIOR WALL AT "WORKSTATION".
 - ⑦ PROVIDE TRAFFIC OVER RATED HANDHOLE FOR FUTURE TELE/DATA POINT OF CONNECTION. VERIFY LOCATION WITH LANDSCAPE ARCHITECT PRIOR TO ROUGH-IN.
 - ⑧ IRRIGATION CONTROLLER PROVIDED BY OTHERS. VERIFY EXACT CONTROLLER LOCATION WITH LANDSCAPE ARCHITECT PRIOR TO ROUGH IN. FOR CIRCUIT NUMBER SEE PANEL SCHEDULE, SHEET E-3.0.



Erkan Bisevac
ERKAN BISEVAC R.C.E. C17159 7-9-14 DATE

E-2.0

LSW
Engineers
CALIFORNIA
INCORPORATED

5540 Ruffin Road, Suite 1
San Diego, CA 92123
www.lswd.com

Telephone 858.268.3224
Facsimile 858.268.1739
Project No.

© 2009 LSW Engineers California, Inc.

**Plans for the Construction of
Los Penasquitos/Black Mountain
Ranger Station**

SITE ELECTRICAL PLAN

CITY OF SAN DIEGO, CALIFORNIA
PUBLIC WORKS DEPARTMENT
SHEET 29 OF 32 SHEETS

APPROVED: *Ali Darvishi* 7/22/14 DATE
FOR CITY ENGINEER
ALI DARVISHI
PRINT NAME

DESCRIPTION	BY	APPROVED	DATE	FILMED
ORIGINAL	LSW			

CONTRACTOR _____ DATE STARTED _____
INSPECTOR _____ DATE COMPLETED _____

WBS B-00619

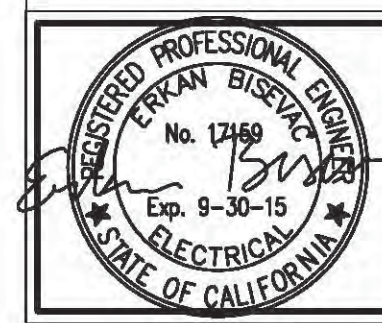
SUBMITTED BY:
JASON GRANI
PROJECT MANAGER

ALI DARVISHI
SECTION HEAD

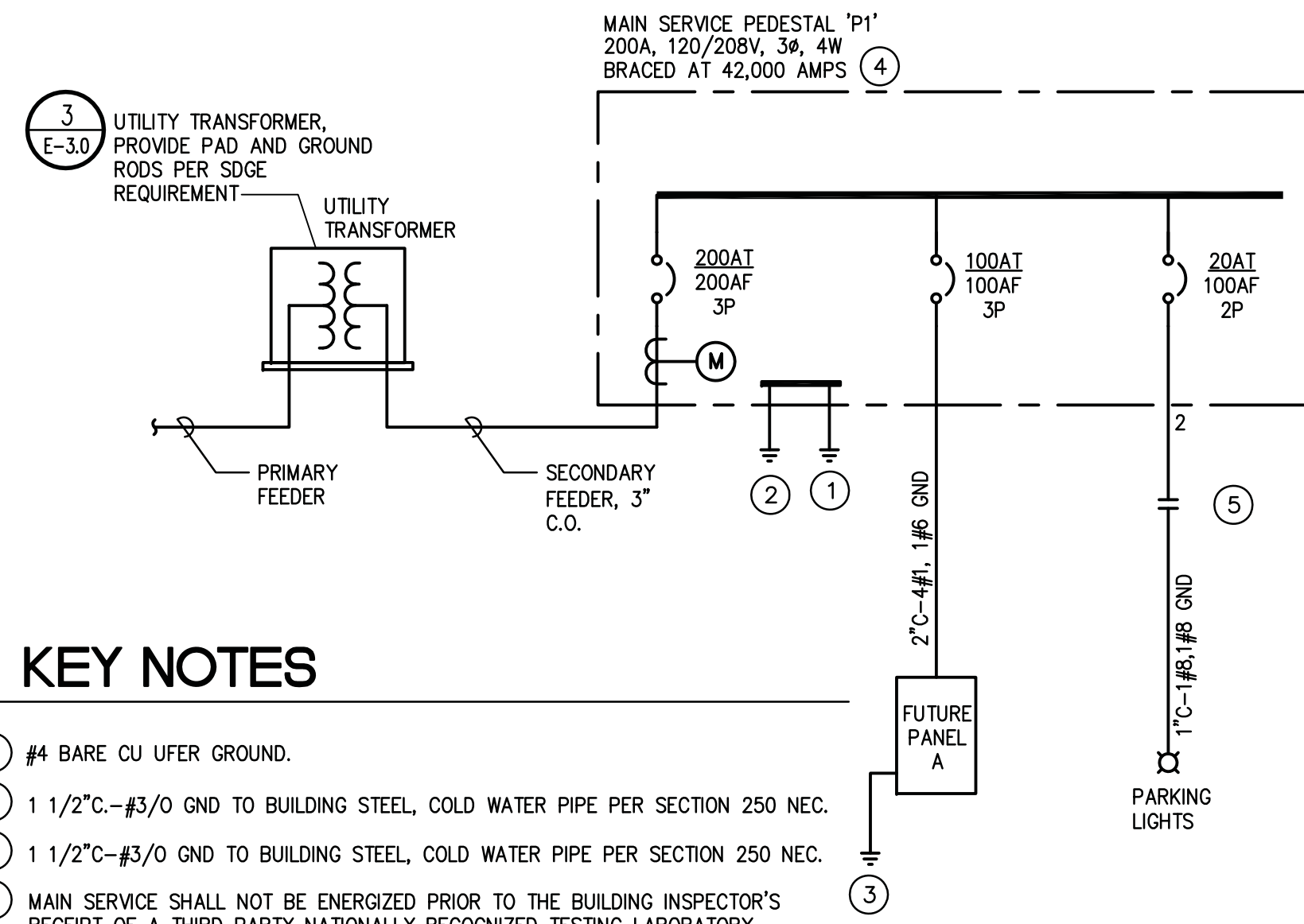
287-1731
CCS27 COORDINATE

6292407-1918444
CCS83 COORDINATE

35048-29-D



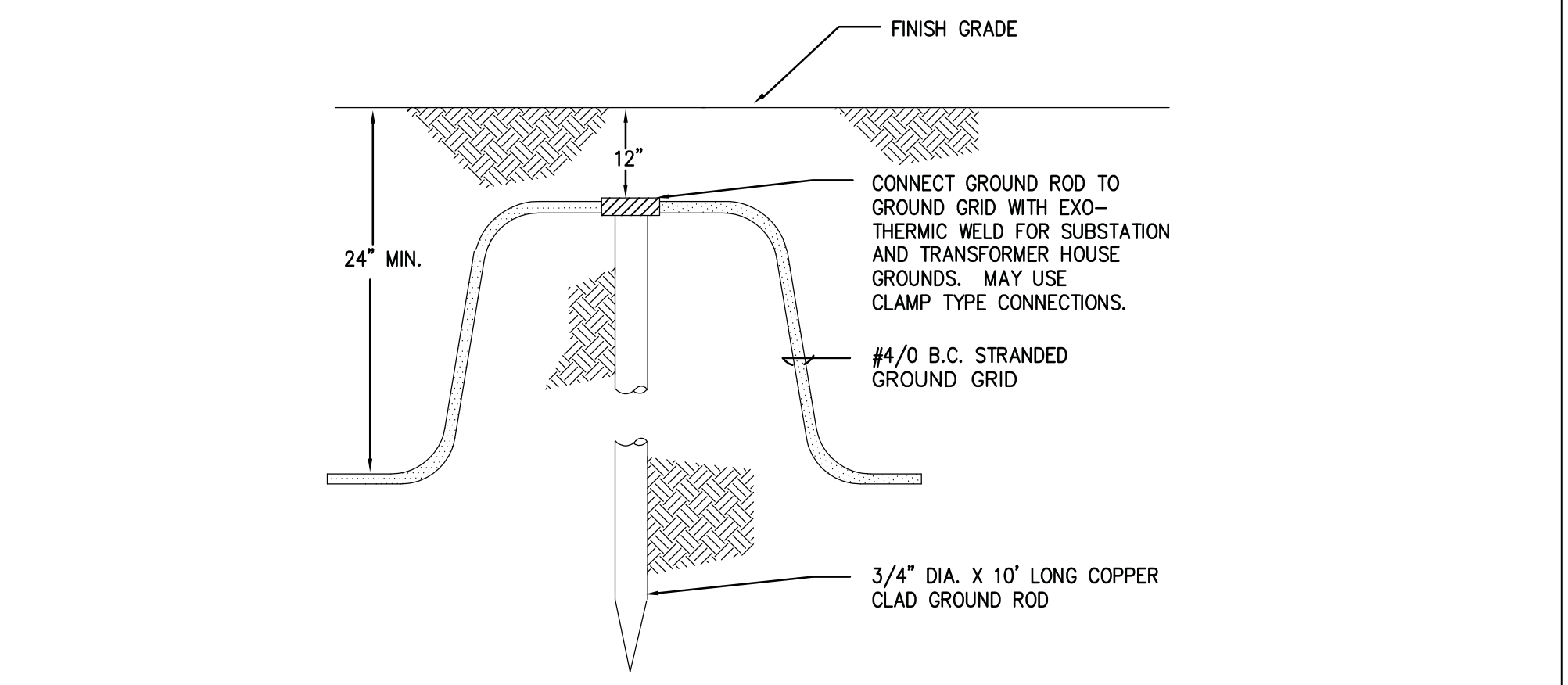
Los Penasquitos/Black Mountain Ranger Station



KEY NOTES

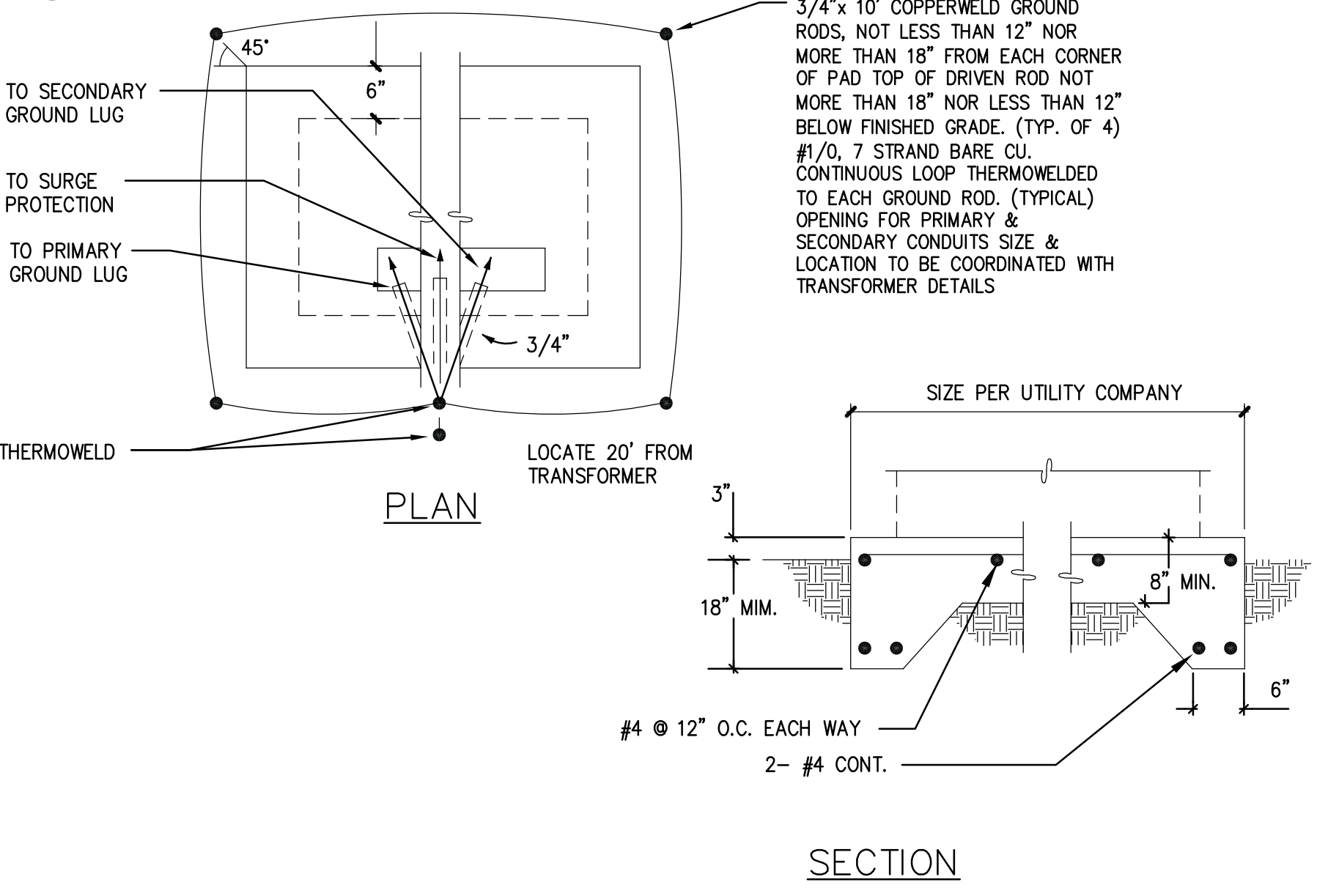
- 1 #4 BARE CU UFER GROUND.
- 2 1 1/2" C-#3/0 GND TO BUILDING STEEL, COLD WATER PIPE PER SECTION 250 NEC.
- 3 1 1/2" C-#3/0 GND TO BUILDING STEEL, COLD WATER PIPE PER SECTION 250 NEC.
- 4 MAIN SERVICE SHALL NOT BE ENERGIZED PRIOR TO THE BUILDING INSPECTOR'S RECEIPT OF A THIRD PARTY NATIONALLY RECOGNIZED TESTING LABORATORY PERFORMANCE TEST CERTIFICATION FOR THE SERVICE GROUND FAULT PROTECTION.
- 5 CONTROL VIA EXISTING TIME CLOCK NIGHT LIGHTING AND PARKING LOT LIGHTING CONTROL POINTS. ADD CONTACTOR(S) IN PEDESTAL AS REQUIRED.

Panel: PEDESTAL P1		Mains: 200A-3P			Voltage: 120/208V, 3ø, 4W			
Mounting:		Type: BOLT-ON			Min. A.I.C.: 42,000			
Use and/or Area Served	C/B	Cir. No.	Load			Cir. No.	C/B	Use and/or Area Served
			Ø A	Ø B	Ø C			
FUTURE PANEL A	100	1	188			2		PARKING LOT
		3				4		PARKING LOT
		5	188			2		IRRIGATION CONTROLLER
		7				6		SPARE
		9				8		
		11				10		
						12		
Total Connected Load (VA):			188	188	250			
+ 25% of Continuous Load:			47	47				
Total Code Load (VA):			235	235	250			
Total Code Load (Amps):			2	2	3			

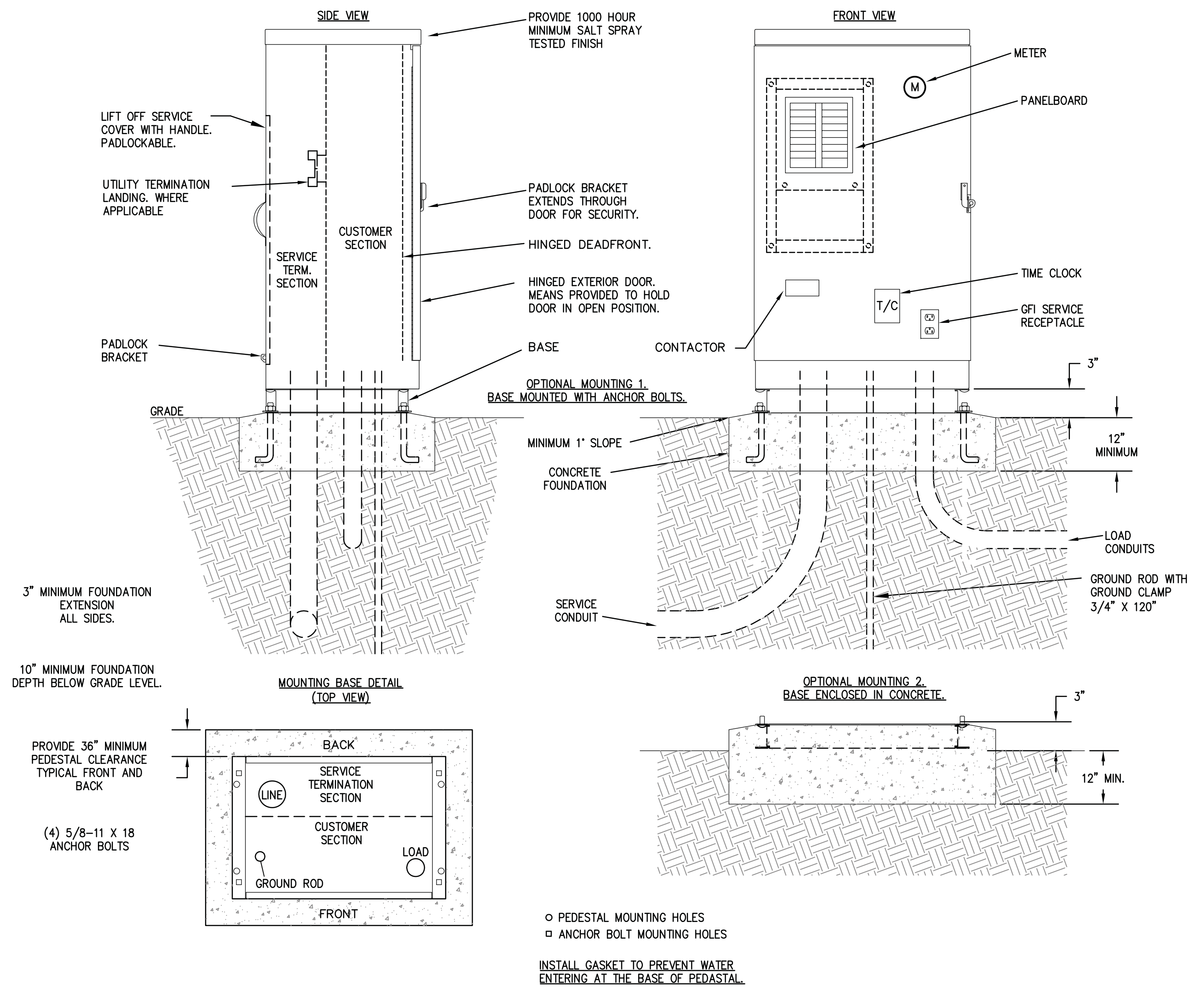
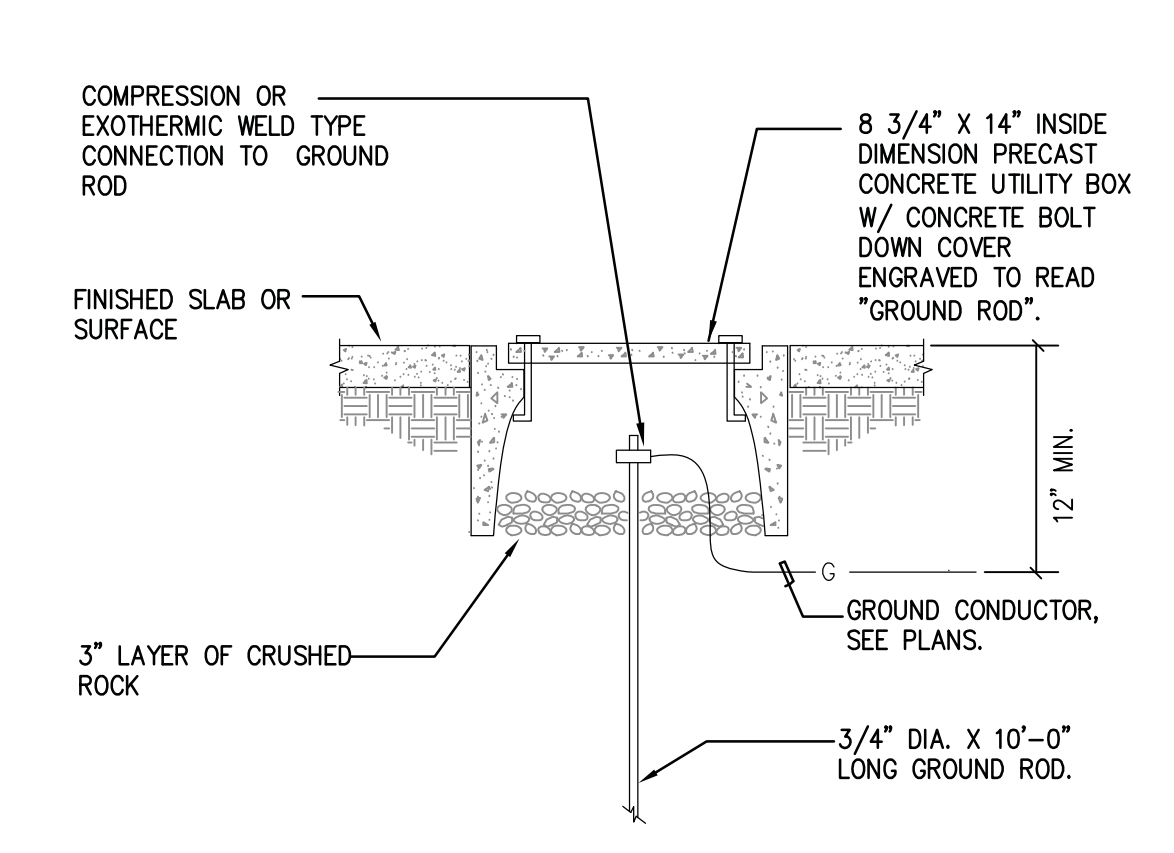


4 Electrical Transformer Station Grounding Detail
scale: None

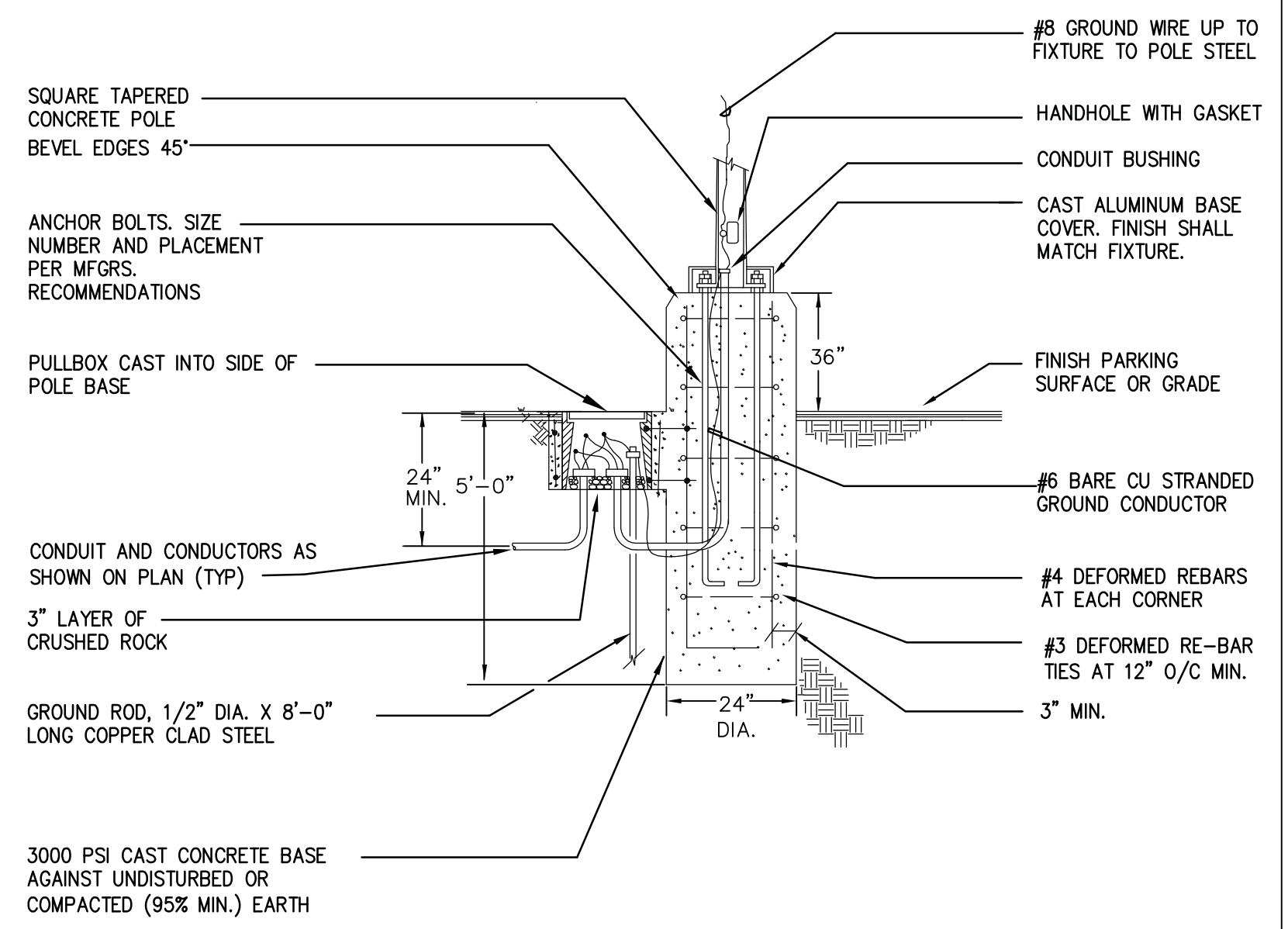
1 Electrical Single Line Diagram
scale: None



2 Electrical Transformer Pad Details
scale: None



5 Pedestal Service 'P1' Detail
scale: None



6 Pole Details
scale: None

3 GROUND ROD DETAIL
scale: None

<p>LSW Engineers CALIFORNIA INCORPORATED</p> <p>5560 Ruffin Road, Suite 1 San Diego, CA 92123 www.lswd.com</p> <p>Telephone: 858.268.3224 Facsimile: 858.268.1739 Project No.</p> <p>© 2009 LSW Engineers California, Inc.</p>	<p>Plans for the Construction of Los Penasquitos/Black Mountain Ranger Station</p>		<p>WBS B-00619</p>
	<p>ELECTRICAL SINGLE LINE & DETAILS</p>		
	<p>CITY OF SAN DIEGO, CALIFORNIA PUBLIC WORKS DEPARTMENT SHEET 30 OF 32 SHEETS</p>		
<p>APPROVED: </p> <p>FOR CITY ENGINEER ALI DARVISHI PRINT NAME</p>	<p>DATE: 7/22/14</p>	<p>SUBMITTED BY: JASON GRANI PROJECT MANAGER</p>	
<p>DESIGNER: </p>	<p>DATE: 9-30-15</p>	<p>287-1731 CCS27 COORDINATE</p>	<p>6292407-1918444 CCS83 COORDINATE</p>
<p>CONTRACTOR:</p>	<p>DATE STARTED:</p>	<p>35048-30-D</p>	<p>DATE COMPLETED:</p>

Los Penasquitos/Black Mountain Ranger Station

FILE NAME: F:\Projects\2007\15\Drawings\2007\15b.s.d.dwg\ PRINT DATE: Jul 09, 2014; 5:41 pm\ PRINTED BY: shepk

CERTIFICATE OF COMPLIANCE (Part 1 of 2) OLTG-1-C

PROJECT NAME: Los Penasquitos/Black Mountain Ranger Station
 DATE: June 5, 2013
 PROJECT ADDRESS: 12011 Black Mountain Road, San Diego CA 92129
 PRINCIPAL DESIGNER/LIGHTING: LSW ENGINEERS, 858-268-3224
 DOCUMENTATION AUTHORITY: KEVIN SHEPPARD, 858-268-3224
 CHECKED BY/DATE: [Signature], [Date]

GENERAL INFORMATION
 DATE OF PLANS: [] L1 [] L2 [] L3 [] L4
 FUNCTION TYPE: [] OUTDOOR LIGHTING [] OUTDOOR SIGNS [] INDOOR SIGNS
 PHASE OF CONSTRUCTION: [] NEW CONSTRUCTION [] ADDITIONS [] ADDITIONS

STATEMENT OF COMPLIANCE
 This Certificate of Compliance lists outdoor lighting systems specifications need to comply with Title 24, Parts 1 and 6 of the California Code of Regulations. This certificate applies only to building lighting requirements.
 The documentation preparer hereby certifies that the documentation is accurate and complete.

DOCUMENTATION AUTHOR: KEVIN SHEPPARD
 SIGNATURE: [Signature]
 DATE: June 5, 2013

The Principal Lighting Designer hereby certifies that the proposed outdoor lighting and signs design represented in this set of construction documents is consistent with the other compliance forms and worksheets, with the specifications, and with any other calculations submitted with this permit application. The proposed building has been designed to meet the lighting requirements contained in the applicable parts of Sections 110, 119, 130 through 132, 146, and 149 of Title 24, Part 6. **Please check one:**

I hereby affirm that I am eligible under the provisions of Division 3 of the Business and Professions Code to sign this document as the person responsible for its preparation, and that I am licensed in the State of California as a civil engineer or electrical engineer, or I am a licensed architect.

I affirm that I am eligible under the provisions of Division 3 of the Business and Professions Code by section 5537.2 or 6737.3 to sign this document as the person responsible for its preparation, and that I am a licensed contractor performing this work.

I affirm that I am eligible under the provisions of Division 3 of the Business and Professions Code to sign this document because it pertains to a structure or type of work described as exempt pursuant to Business and Professions Code Sections 5537, 5538, and 6737.1.

(These sections of the Business and Professions Code are printed in full in the Nonresidential Manual.)

PRINCIPAL LIGHTING DESIGNER NAME: ERKAN BISEVAC
 SIGNATURE: [Signature]
 DATE: June 5, 2013
 LIC # 17159

INSTRUCTIONS TO APPLICANT OUTDOOR LIGHTING COMPLIANCE & WORKSHEETS (check box if worksheet is included)
 For detailed instructions on the use of this and all Energy Efficiency Standards compliance forms, please refer to the Nonresidential Manual published by the California Energy Commission.

OLTG-1-C Certificate of Compliance. Required on plans for all submittals for outdoor lighting. Part 2 of 2 may be incorporated in schedules on the plans.
 Either LTG-1-C or OLTG-1-C may be used for signs as follows:
 1. Use LTG-1-C if the project consists solely of indoor signs
 2. Use LTG-1-C if the project consists of indoor lighting, and outdoor or indoor signs, but no other outdoor lighting.
 3. Use OLTG-1-C if the project consists solely of outdoor signs
 4. Use OLTG-1-C if the project consists of outdoor lighting, and indoor or outdoor signs, but no other indoor lighting.

OLTG-2-C LIGHTING COMPLIANCE SUMMARY. Applicable Parts required for ALL outdoor lighting allow ances (Except for Signs)

OLTG-3-C AREA CALCULATIONS WORKSHEETS. Applicable parts required for all outdoor area calculations.

OLTG-4-C SIGN LIGHTING COMPLIANCE. Required for all internally and externally illuminated signs, for both indoor and outdoor signs.

CERTIFICATE OF COMPLIANCE (Part 2 of 2) OLTG-1-C

PROJECT NAME: Los Penasquitos/Black Mountain Ranger Station
 Lighting Schedules on Plans Show that Outdoor Lighting Meets Allowed Lighting Power

Lighting power allow ances for general site illumination on OLTG-2-C Part 1 of 4
 Not applicable
 Lighting power allow ances for local ordinances or for security multipliers on OLTG-2-C Part 2 of 4
 Not applicable
 Lighting power allow ances for specific applications, other than vehicle service stations with canopies on OLTG-2-C Part 3 of 4
 Not applicable
 Lighting power allow ances vehicle service station canopies on OLTG-2-C Part 4 of 4
 Not applicable
 Sign lighting compliance on OLTG-4-C
 Not applicable

Mandatory Measures on Plans Show that Outdoor Lighting Meets Outdoor Lighting Controls and Equipment
Note: Location on plans of table block for Mandatory Measure

Installed lighting power has been determined in accordance with § 130(c)1
 Not applicable
 All permanently installed luminaires with lamps rated over 100 watts either have a lamp efficacy of at least 60 lumens per watt or are controlled by a motion sensor § 132(a)
 Not applicable
 All luminaires with lamps rated greater than 175 watts in hardcape areas, including parking lots, building entrances, canopies, and all outdoor sales areas meet the Cutoff Requirements of § 132(b)
 Not applicable
 All permanently installed outdoor lighting meets the Control Requirements of § 132(c)1
 Not applicable
 Building facades, parking lots, garages, canopies, and outdoor sales areas meet the Multi-Level Lighting Requirements of § 132(c)2
 Not applicable

MANDATORY AUTOMATIC CONTROLS

CONTROL LOCATION	CONTROL IDENTIFICATION	CONTROL TYPE	AREA CONTROLLED	NOTE TO FIELD
	TC	AUTO TIME SWITCH	PARKING LEVEL 1 AND 2	


LIGHTING COMPLIANCE SUMMARY (Part 1 of 4) OLTG-2-C

PROJECT NAME: Los Penasquitos/Black Mountain Ranger Station
 DATE: June 5, 2013

LIGHTING POWER ALLOWANCES - GENERAL SITE ILLUMINATION - (Table 147-A)

A	Allotted Watts				Luminaire			Lamps/Ballasts				Installed Watts						
	B	C	D	E	F	G	H	I	J	K	L	M	N	O				
Lighting Applications Category (Table 147-A)	Area (ft ²) or Length (ft)	Allowed Power (Watts) or WLF	Allowed Power (Watts) or WLF	Area (ft ²) or Length (ft)	Description	Code for Luminaire Type	Control Designation	Lamp Type	Number of Lamps per Luminaire	Watts per Luminaire	Number of Ballast per Luminaire	Watts per Luminaire	If CEC Default	Number of Luminaires	Watts (L * N)	Installed Watts		
PARKING LOT	5382	0.15	807.3	A	POLE		YES	1	1	125	1	125	YES	1	125			
WALK WAY	13736	0.17	2335.1	A			YES	1	1	125	1	125	YES	2	250			
															Total Allotted Watts	3142.4	Total Installed Watts	375

E-4.0



LSW ENGINEERS
 CALIFORNIA, INCORPORATED
 5560 Ruffin Road, Suite 1
 San Diego, CA 92123
 www.lswd.com
 Telephone: 858.268.3224
 Facsimile: 858.268.1739
 Project No.
 © 2009 LSW Engineers California, Inc.

**Plans for the Construction of
 Los Penasquitos/Black Mountain
 Ranger Station**

ELECTRICAL TITLE 24 EXTERIOR

CITY OF SAN DIEGO, CALIFORNIA
 PUBLIC WORKS DEPARTMENT
 SHEET 31 OF 32 SHEETS

APPROVED: [Signature] DATE: 7/22/14
 FOR CITY ENGINEER
 ALI DARVISHI
 PRINT NAME

DESCRIPTION | BY | APPROVED | DATE | FILMED

ORIGINAL	LSW			
----------	-----	--	--	--

CONTRACTOR: _____ DATE STARTED: _____
 INSPECTOR: _____ DATE COMPLETED: _____

WBS: B-00619

SUBMITTED BY:
 JASON GRANI
 PROJECT MANAGER

ALI DARVISHI
 SECTION HEAD

287-1731
 CCS27 COORDINATE

6292407-1918444
 CCS83 COORDINATE

35048-31-D

[Signature] ERKAN BISEVAC R.C.E. C17159 7-9-14 DATE

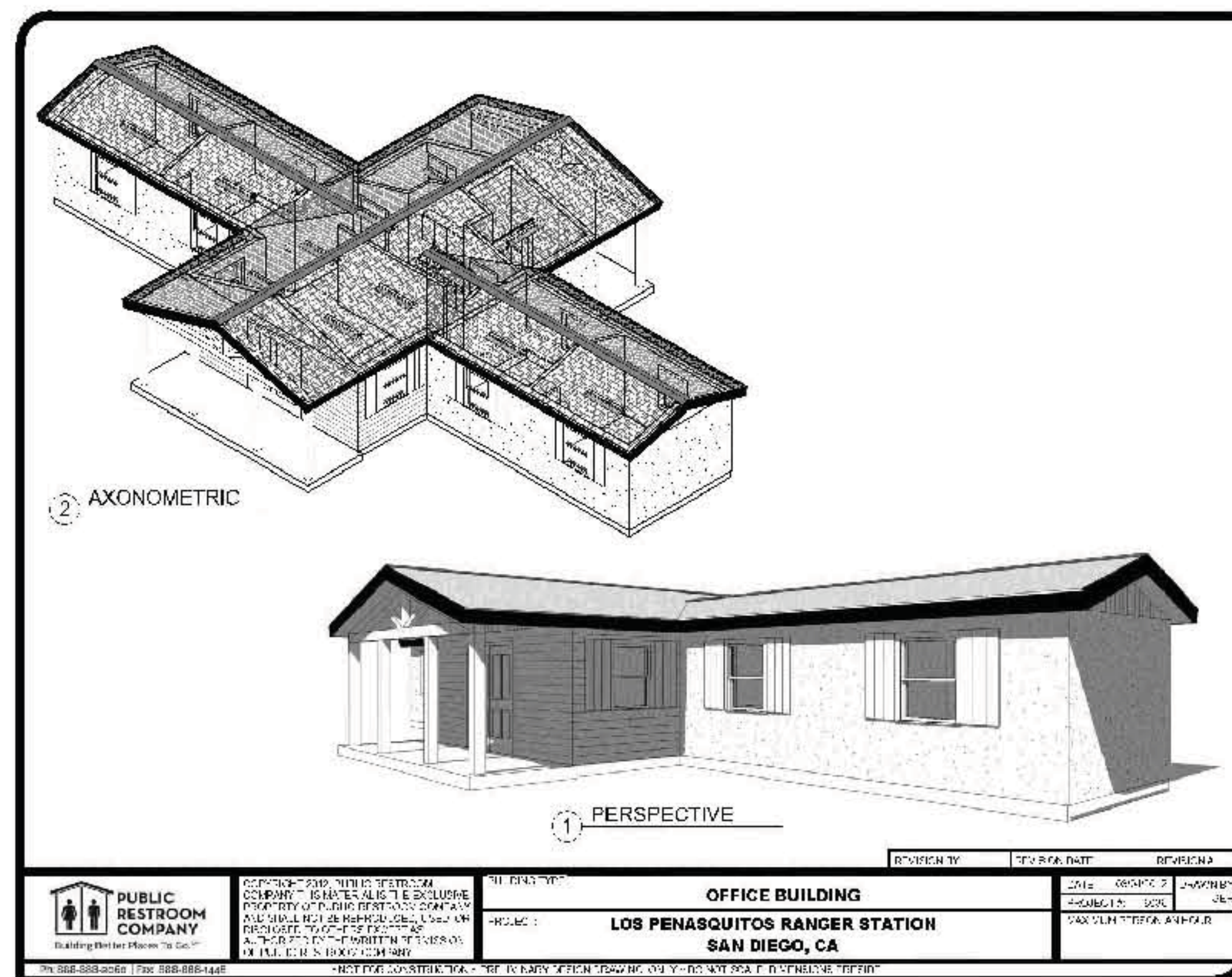
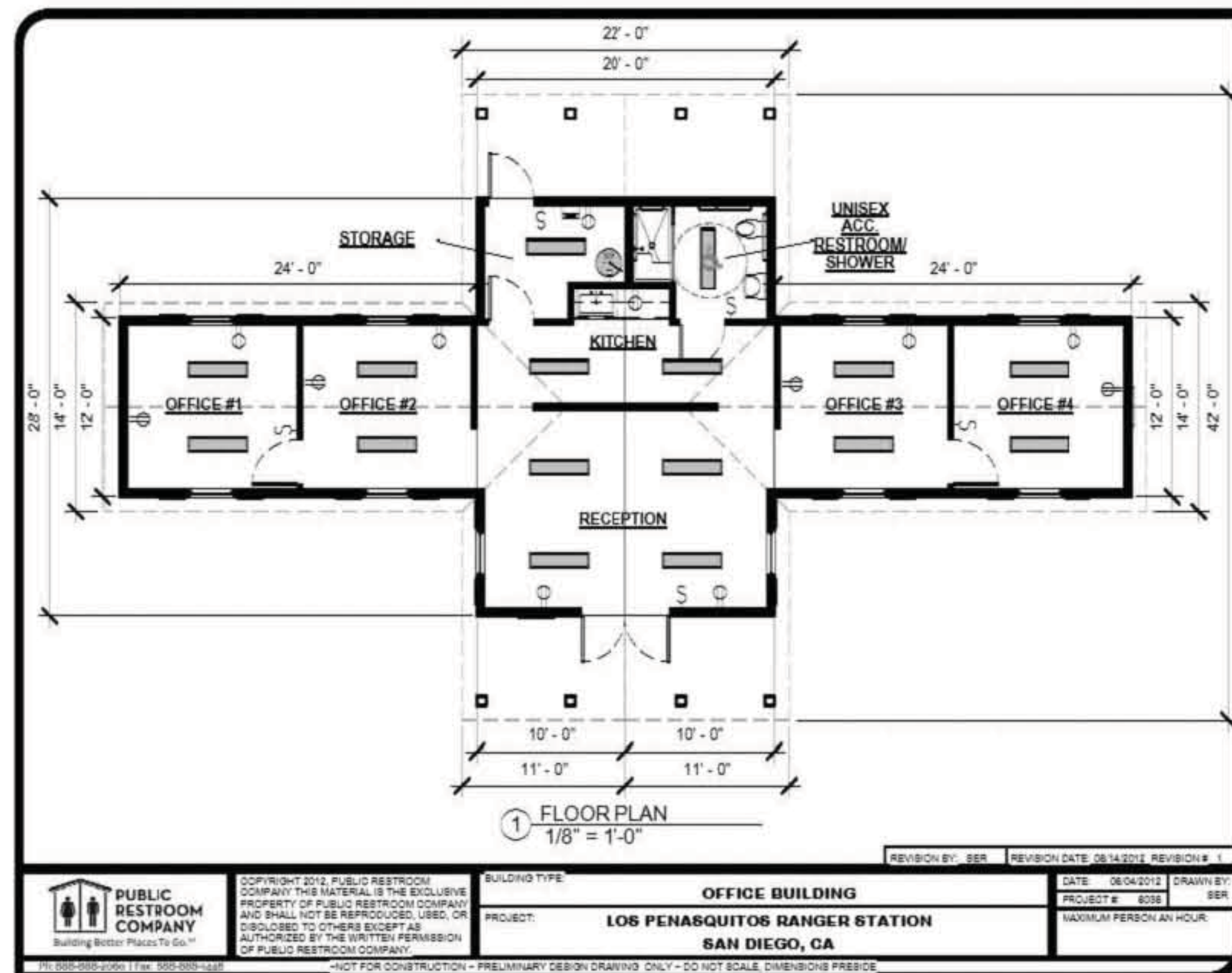
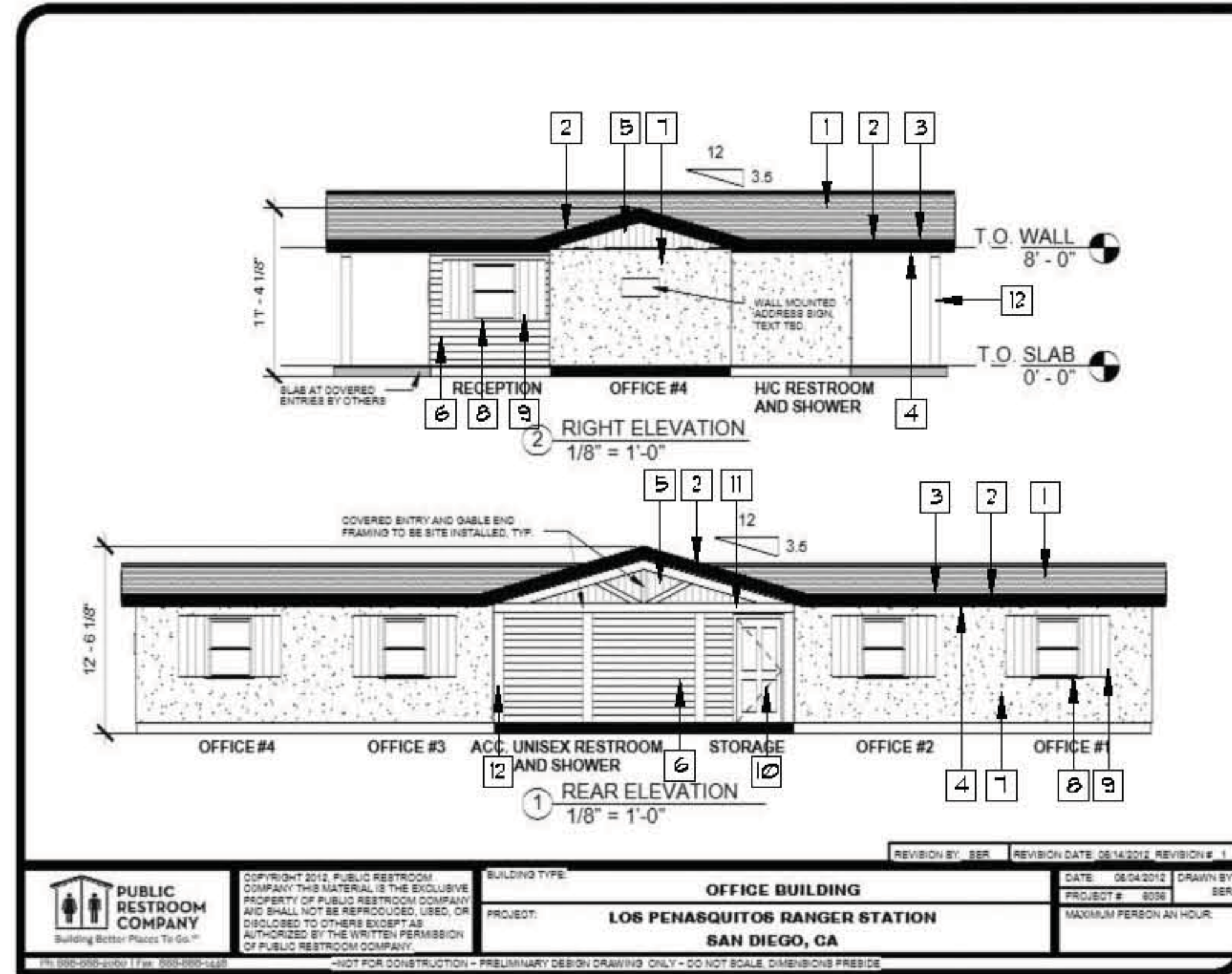
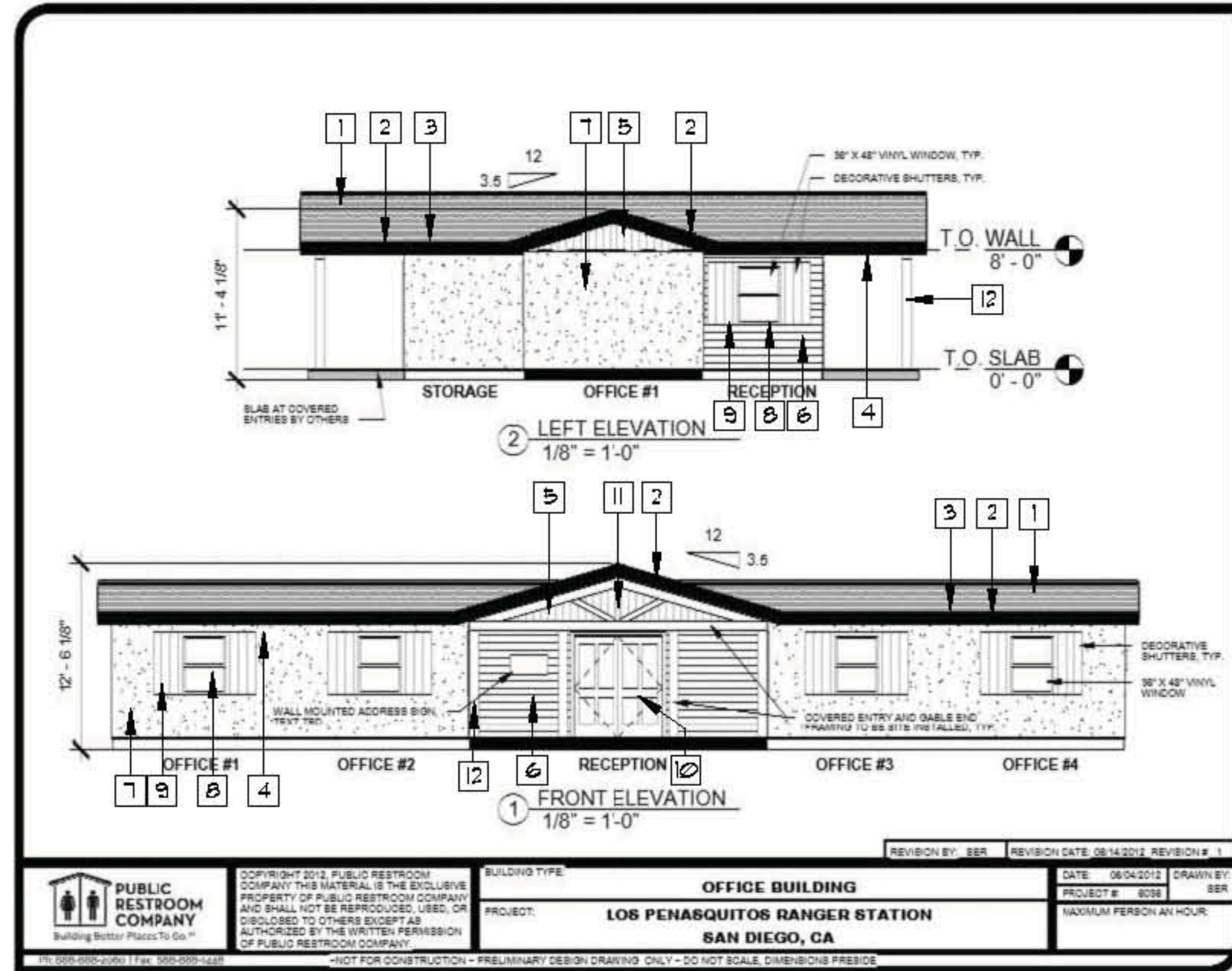
Los Penasquitos/Black Mountain Ranger Station

FILE NAME: F:\Projects\200\15\Drawings\200\15\4.0.dwg\ PRINT DATE: Jul 09, 2014; 1:59 pm\ PRINTED BY: shepk

COLOR SCHEDULE:

KEY	LOCATION	VENDOR/MATERIAL	COLOR #
1	ROOF - COMPOSITION ROOF	OWENS CORNING	DRIFTWOOD
2	RAKE & FASCIA	PITTSBURGH PAINT - TO MATCH ROOF COLOR	CHIPPENDALE
3	ROOF FLASHING/TRIM	PITTSBURGH PAINT - TO MATCH ROOF COLOR	CHIPPENDALE
4	SOFFITS (UNDERSIDE OF ROOF OVERHANG)	PITTSBURGH PAINT	CHIPPENDALE
5	GABLE END - VERTICAL LAP SIDING	PITTSBURGH PAINT	CASTLE STONE
6	EXTERIOR WALLS - HORIZONTAL LAP SIDING	PITTSBURGH PAINT	CASTLE STONE
7	EXTERIOR WALLS - STUCCO FINISH	PITTSBURGH PAINT	GREEN TEA LEAF
8	VINYL WINDOW & FRAMES	MILGARD	WHITE
9	WINDOW DECORATIVE SHUTTER	PITTSBURGH PAINT	CASTLE STONE
10	DOOR & DOOR (JAMB) FRAMES - STAINED	OLYMPIC STAIN	BLACK WALNUT
11	TRUSS (COVERED ENTRY) - STAINED	OLYMPIC STAIN	BLACK WALNUT
12	TRUSS COLUMN/POST - STAINED	OLYMPIC STAIN	BLACK WALNUT

* COLORS LISTED SUBJECT TO CHANGE. CONTRACTOR TO VERIFY AND OBTAIN COLOR APPROVAL FROM PUBLIC WORKS DEPARTMENT PRIOR TO ORDERING BUILDING



PUBLIC RESTROOM COMPANY	DATE: 06/24/2012	DRAWN BY: BBR
	PROJECT: LOS PENASQUITOS RANGER STATION SAN DIEGO, CA	MAXIMUM PERSON AN HOUR:

PUBLIC RESTROOM COMPANY	DATE: 06/24/2012	DRAWN BY: BBR
	PROJECT: LOS PENASQUITOS RANGER STATION SAN DIEGO, CA	MAXIMUM PERSON AN HOUR:



Plans for the Construction of Los Penasquitos/Black Mountain Ranger Station		WBS: 8-00619
BUILDING REFERENCE		
CITY OF SAN DIEGO, CALIFORNIA PUBLIC WORKS DEPARTMENT SHEET 32 OF 32 SHEETS		
APPROVED:	DATE: 7/22/14	SUBMITTED BY: JASON GRANI
FOR CITY ENGINEER: ALI DARVISHI		PROJECT MANAGER
PRINT NAME: ALI DARVISHI		SECTION HEAD
DESCRIPTION: ORIGINAL	BY: MWPA	287-1731
	APPROVED: [Signature]	CCS27 COORDINATE
	DATE: 8/31/15	8292407-1918444
		CCS83 COORDINATE
CONTRACTOR: _____	DATE STARTED: _____	35048-32-D
INSPECTOR: _____	DATE COMPLETED: _____	

MICHAEL W. PELTZ, R/LA 2010 DATE: 7/15/14

Los Penasquitos/Black Mountain Ranger Station

REF-1.0

Drawing name: 060604 - RPT1.dwg Date: Jul 15, 2014 5:05pm Drawn by: J. Ingleton