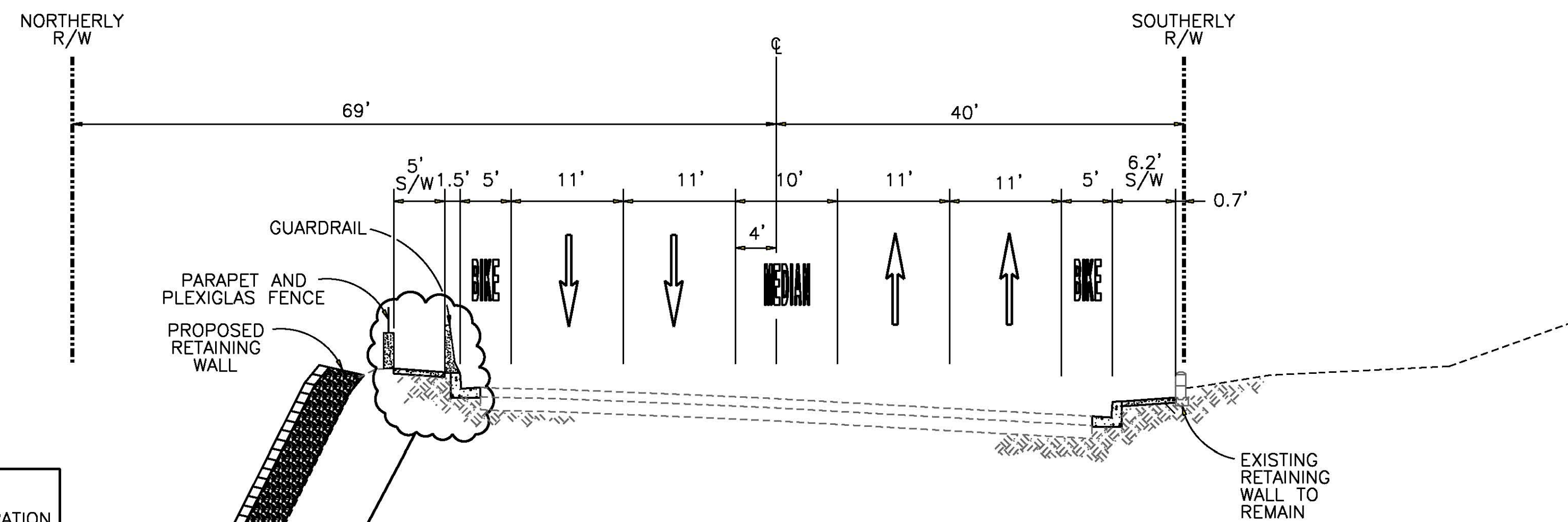
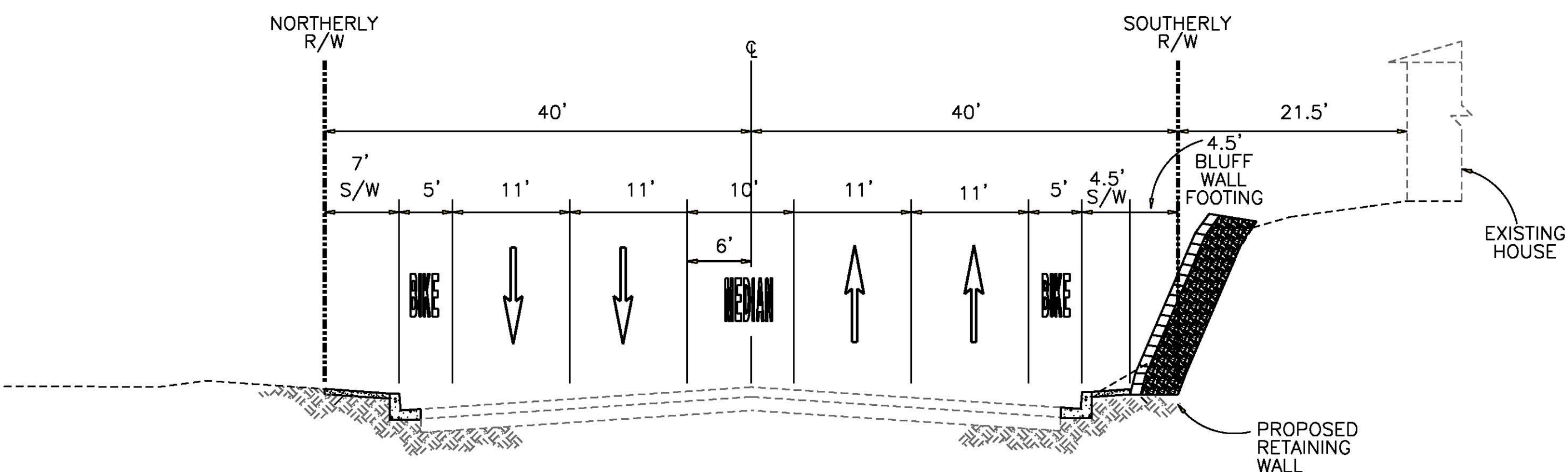
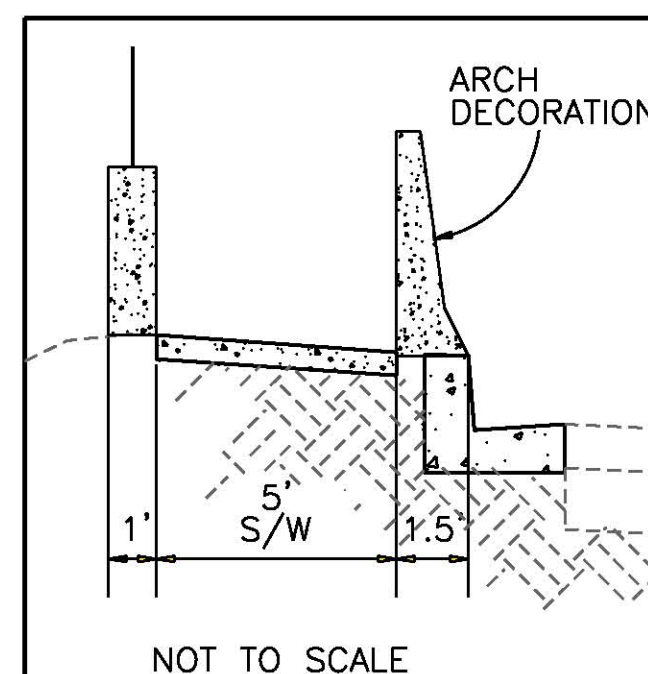


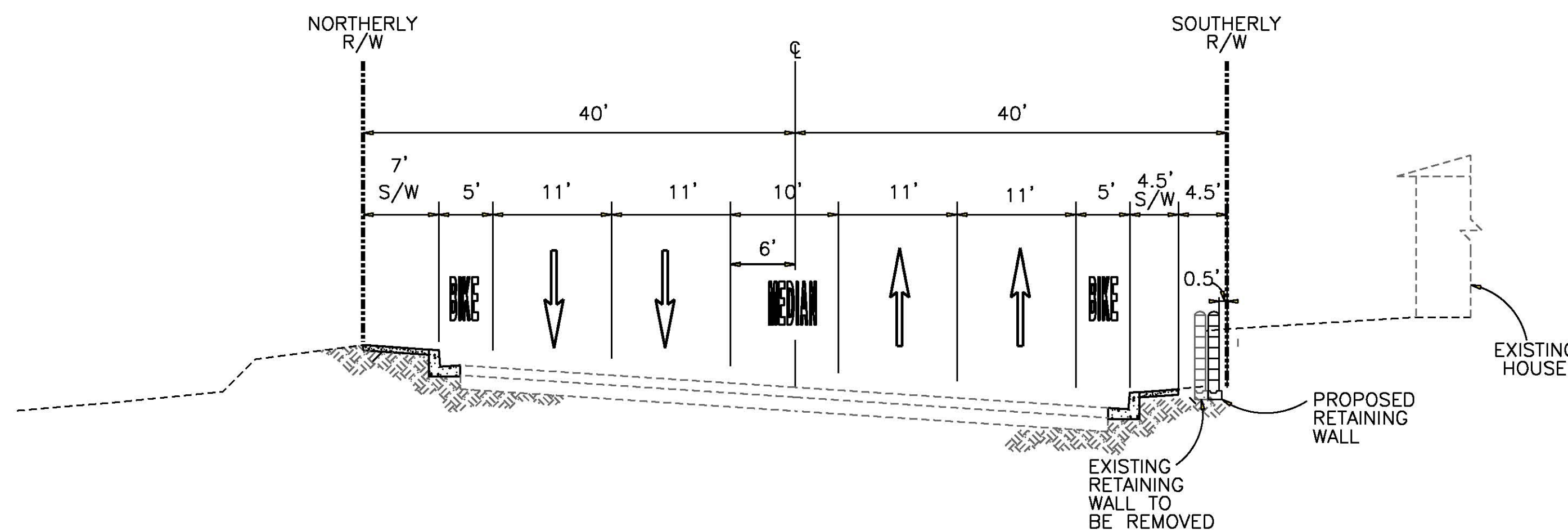
TORREY PINES ROAD AT STA 10+50
SECTION A
5



TORREY PINES ROAD AT STA 13+80
SECTION B
5



TORREY PINES ROAD AT STA 20+10
SECTION C
6



TORREY PINES ROAD AT STA 23+50
SECTION D
6

01-2011
CONCEPTUAL LAYOUT

ENGINEER CONCEPTUAL LAYOUT FOR:
TORREY PINES ROAD
BETWEEN LA JOLLA SHORES DR.
AND PROSPECT PLACE

TYPICAL SECTIONS

CITY OF SAN DIEGO, CALIFORNIA
ENGINEERING AND CAPITAL PROJECTS DEPARTMENT
SHEET 02 OF XX SHEETS

W.O. 526160

APPROVED:	DATE:	SUBMITTED BY:
FOR CITY ENGINEER	DATE	ASSOCIATE ENGINEER
DESCRIPTION	DRAWN BY	DATE
ORIGINAL	TCE	XXXX
		PROJECT ENGINEER
		CONTROL CERTIFICATION
		VARIES
		LAMBERT COORDINATES
CONTRACTOR:	DATE STARTED	XXXXX-02-D
INSPECTOR:	DATE COMPLETED	



Tran Consulting Engineers
4444 El Cajon Blvd, Suite 15
San Diego, California 92115
619-563-7650, FAX 619-563-7821

APPROVED: _____
DATE: _____
TCE Consultants

