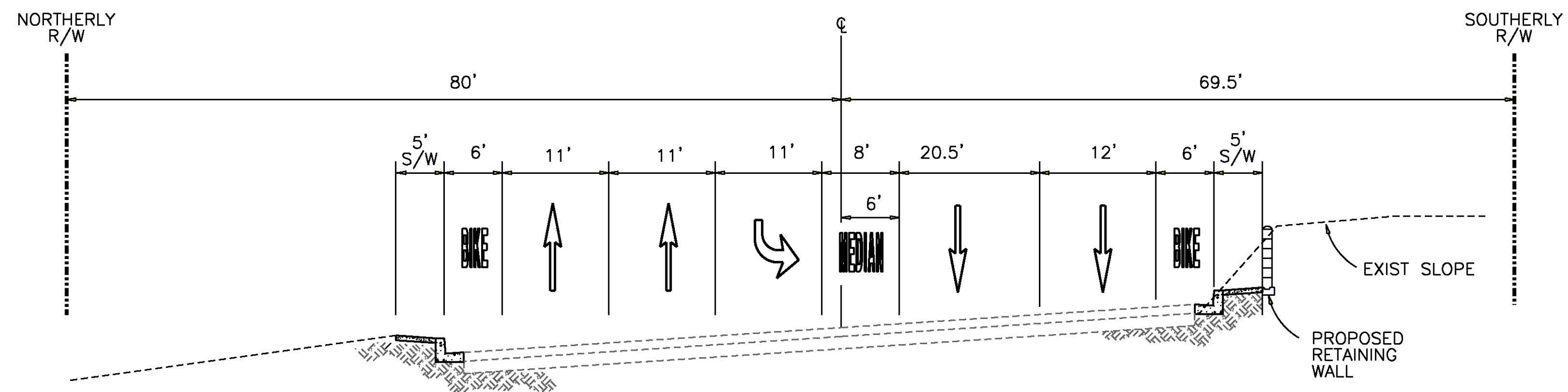


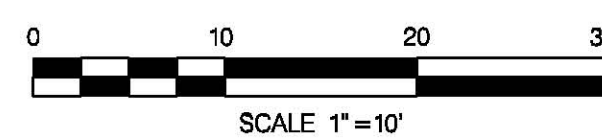
TORREY PINES ROAD AT STA 36+20

SECTION H  
7



TORREY PINES ROAD AT STA 45+50

SECTION I  
8



**Tran Consulting Engineers**  
 4444 El Cajon Blvd, Suite 15  
 San Diego, California 92115  
 619-563-7650, FAX 619-563-7821

APPROVED: \_\_\_\_\_  
 DATE: \_\_\_\_\_ TCE Consultants

01-2011  
 CONCEPTUAL LAYOUT

ENGINEER CONCEPTUAL LAYOUT FOR: <b>TORREY PINES ROAD</b> BETWEEN LA JOLLA SHORES DR. AND PROSPECT PLACE			
DETAILS			
CITY OF SAN DIEGO, CALIFORNIA ENGINEERING AND CAPITAL PROJECTS DEPARTMENT SHEET 04 OF XX SHEETS			W.O. 526160
APPROVED:	DATE:	SUBMITTED BY:	
FOR CITY ENGINEER		ASSOCIATE ENGINEER	
DESCRIPTION	DRAWN BY	DATE	PROJECT ENGINEER
ORIGINAL	TCE	XXXX	
			CONTROL CERTIFICATION
			VARIES
			LAMBERT COORDINATES
CONTRACTOR:	DATE STARTED	XXXXX-04-D	
INSPECTOR:	DATE COMPLETED		