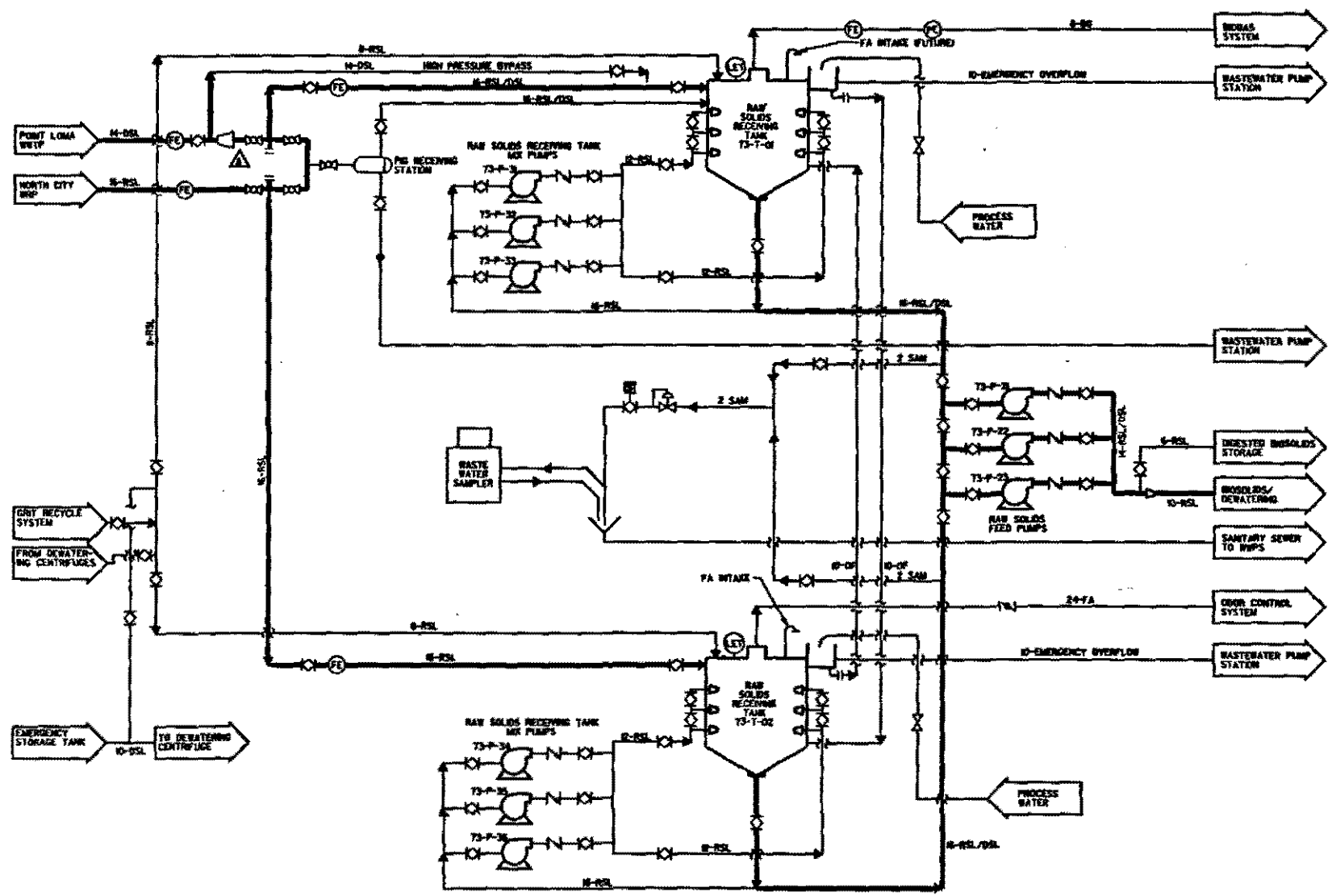


APPENDIX B

PROCESS FLOW DIAGRAMS

\\msb-samp\figure1.dgn
06-OCT-2008 08:38
abreva



— MAIN PROCESS PIPING
(Typ all diagrams)

FIGURE 1
PROCESS FLOW DIAGRAM
RAW SOLIDS RECEIVING/STORAGE

R:\mbo-camp\figure2.dgn
08-OCT-2008 08:28
abvrvs

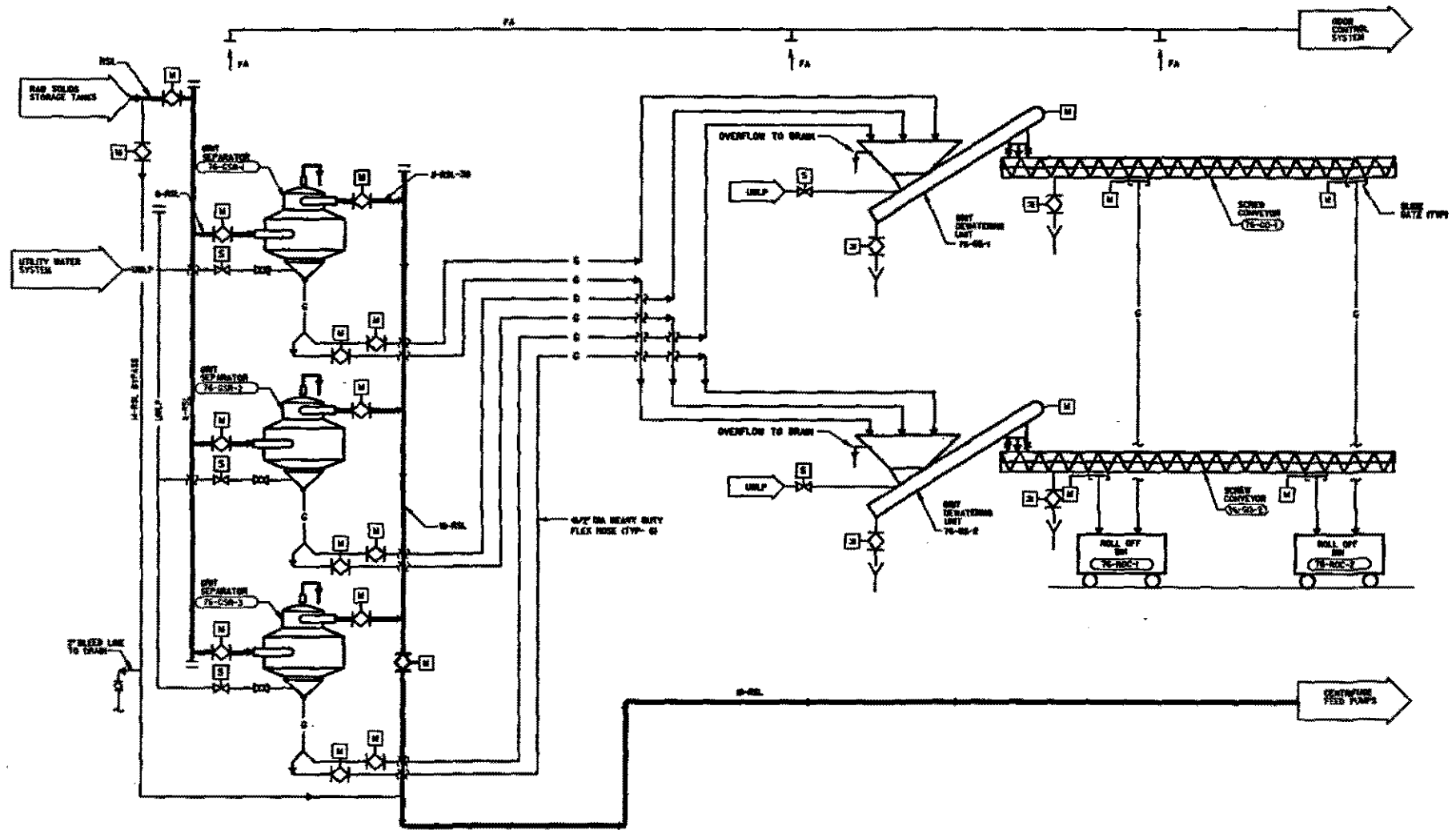


FIGURE 2
PROCESS FLOW DIAGRAM
GRIT REMOVAL

P:\mbe-camp\figure2.dgn
08-OCT-2008 08:38
shree

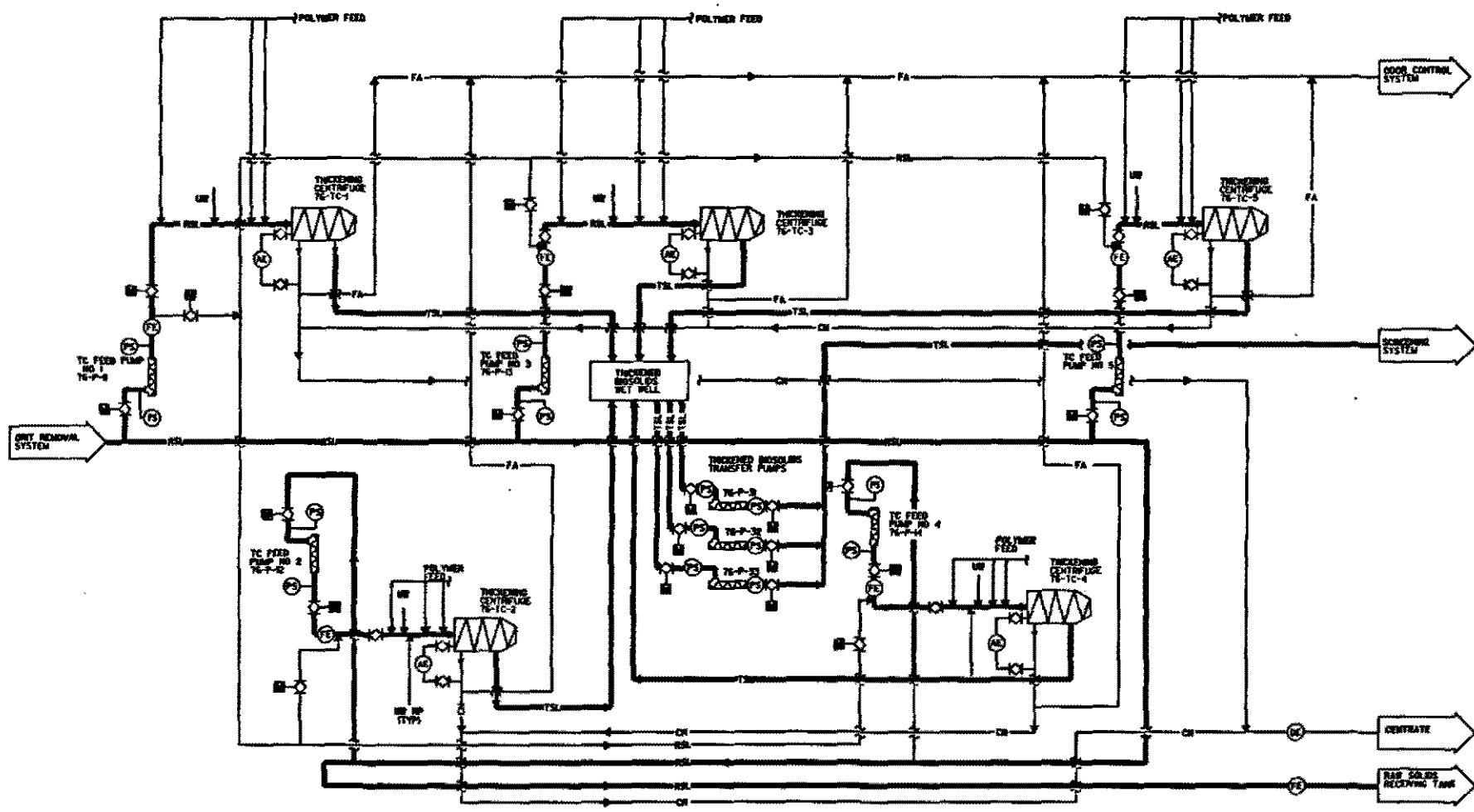


FIGURE 2
PROCESS FLOW DIAGRAM
BIOSOLIDS THICKENING

R:\mbe-stmp\figure4.dgn
05-OCT-2005 08:38

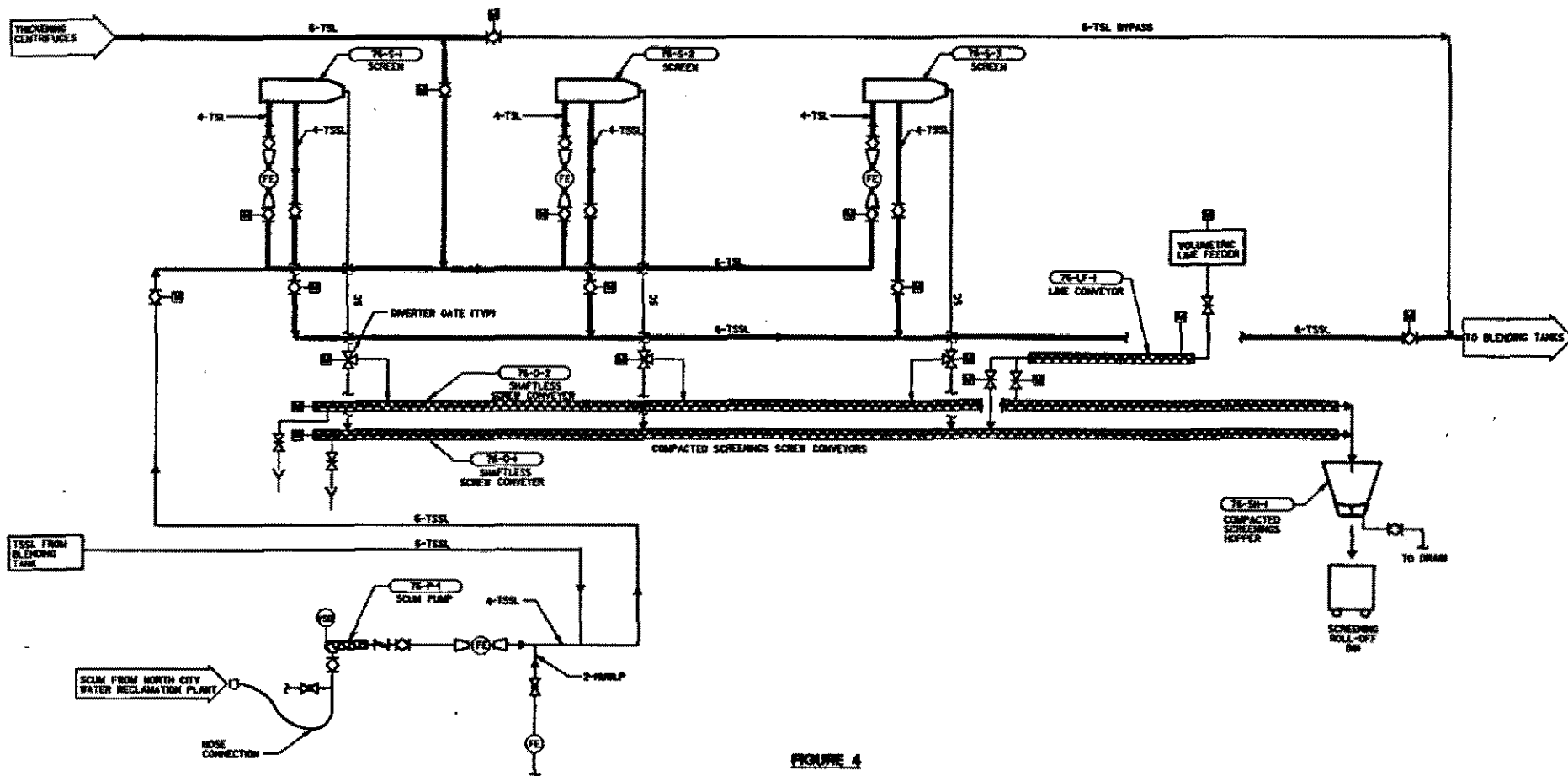


FIGURE 4
PROCESS FLOW DIAGRAM
BIOSOLIDS SCREENING

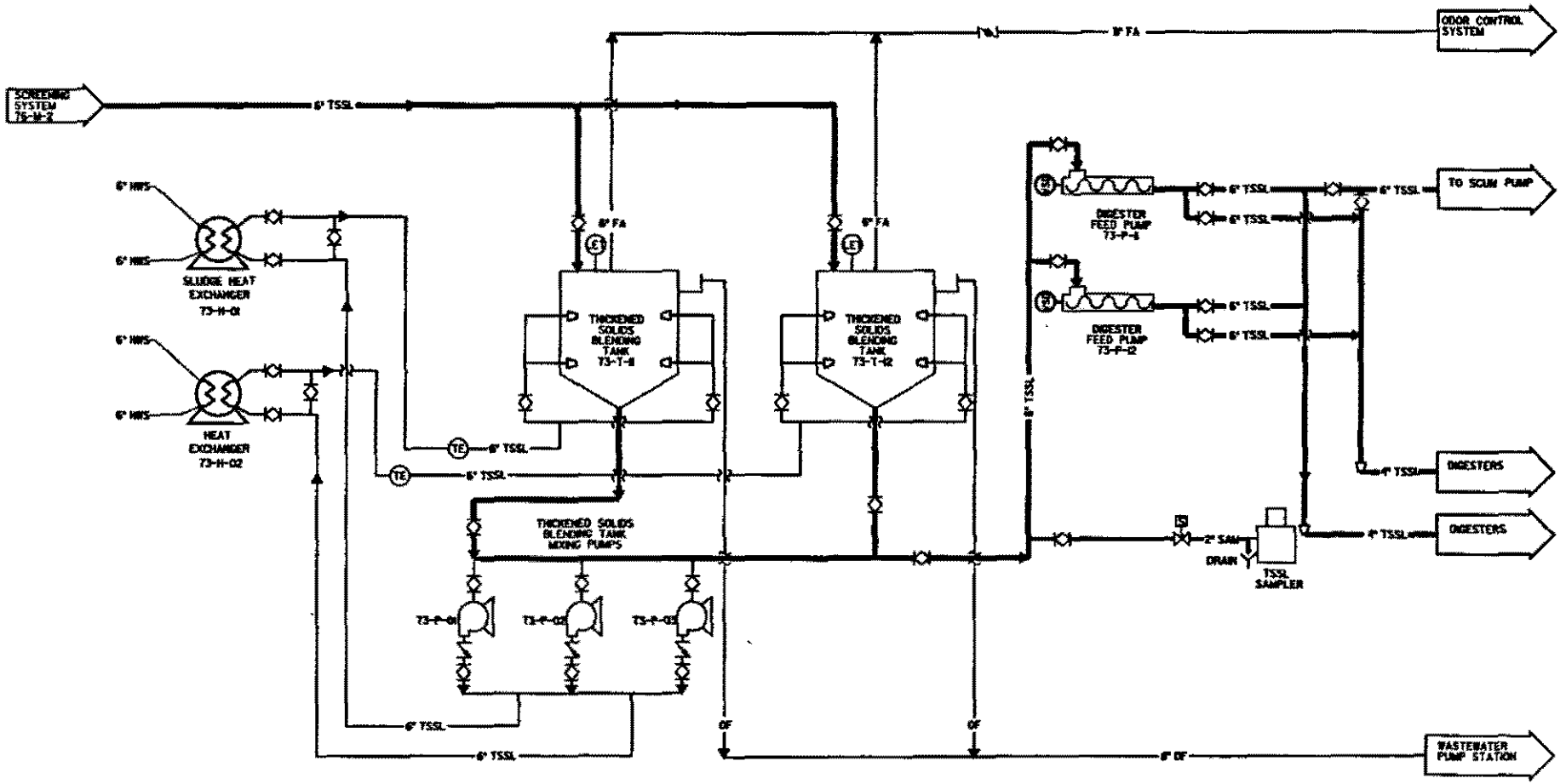


FIGURE B
PROCESS FLOW DIAGRAM
THICKENED SOLIDS BLENDING STORAGE

R:\mbo-camp\figures\fig008.dgn
 09-OCT-2008 08:38
 chris

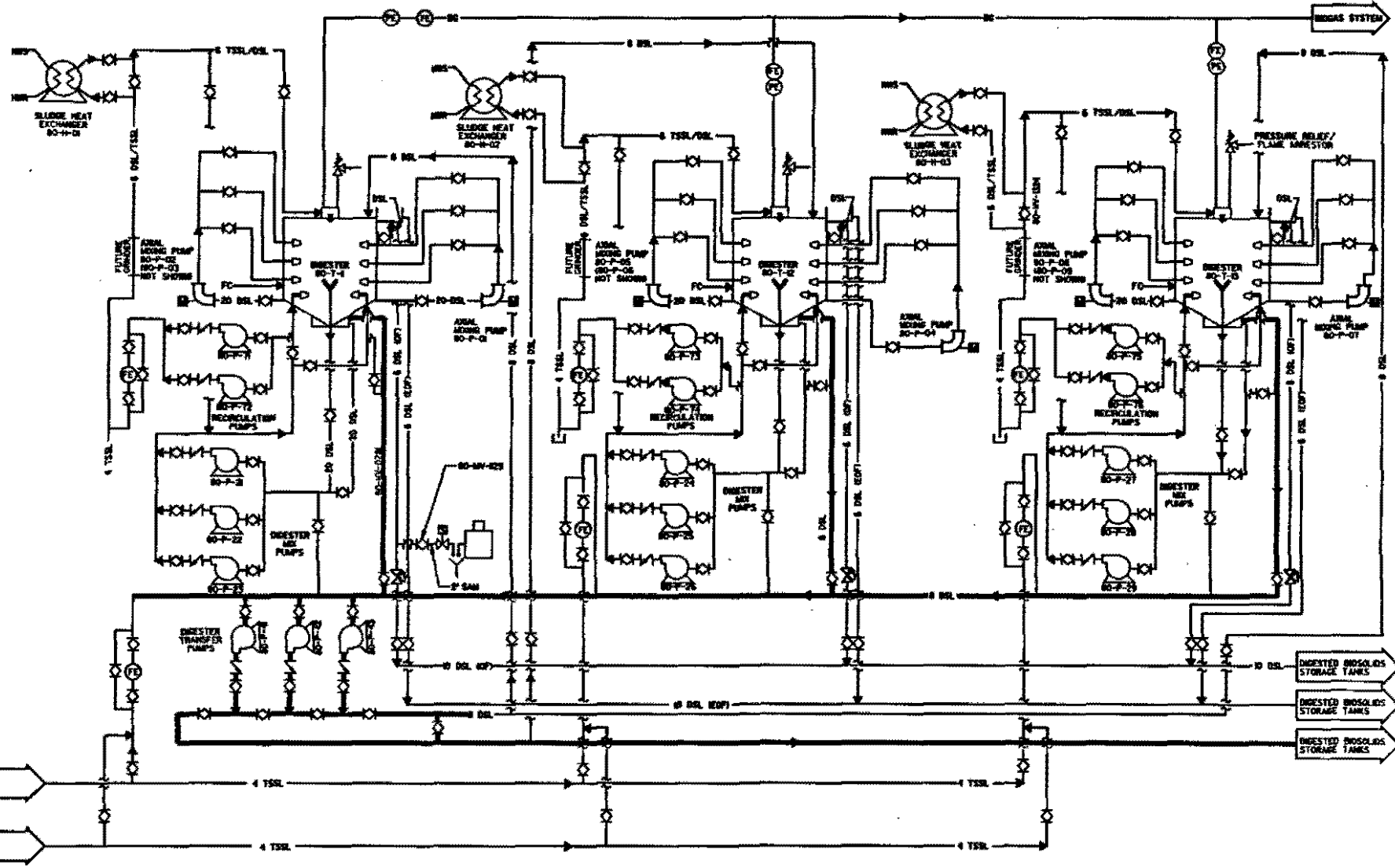


FIGURE 6
 PROCESS FLOW DIAGRAM
 ANAEROBIC DIGESTION

06-OCT-2008 09:48
 E:\mbe-camp\figure6.dgn
 cbrvve

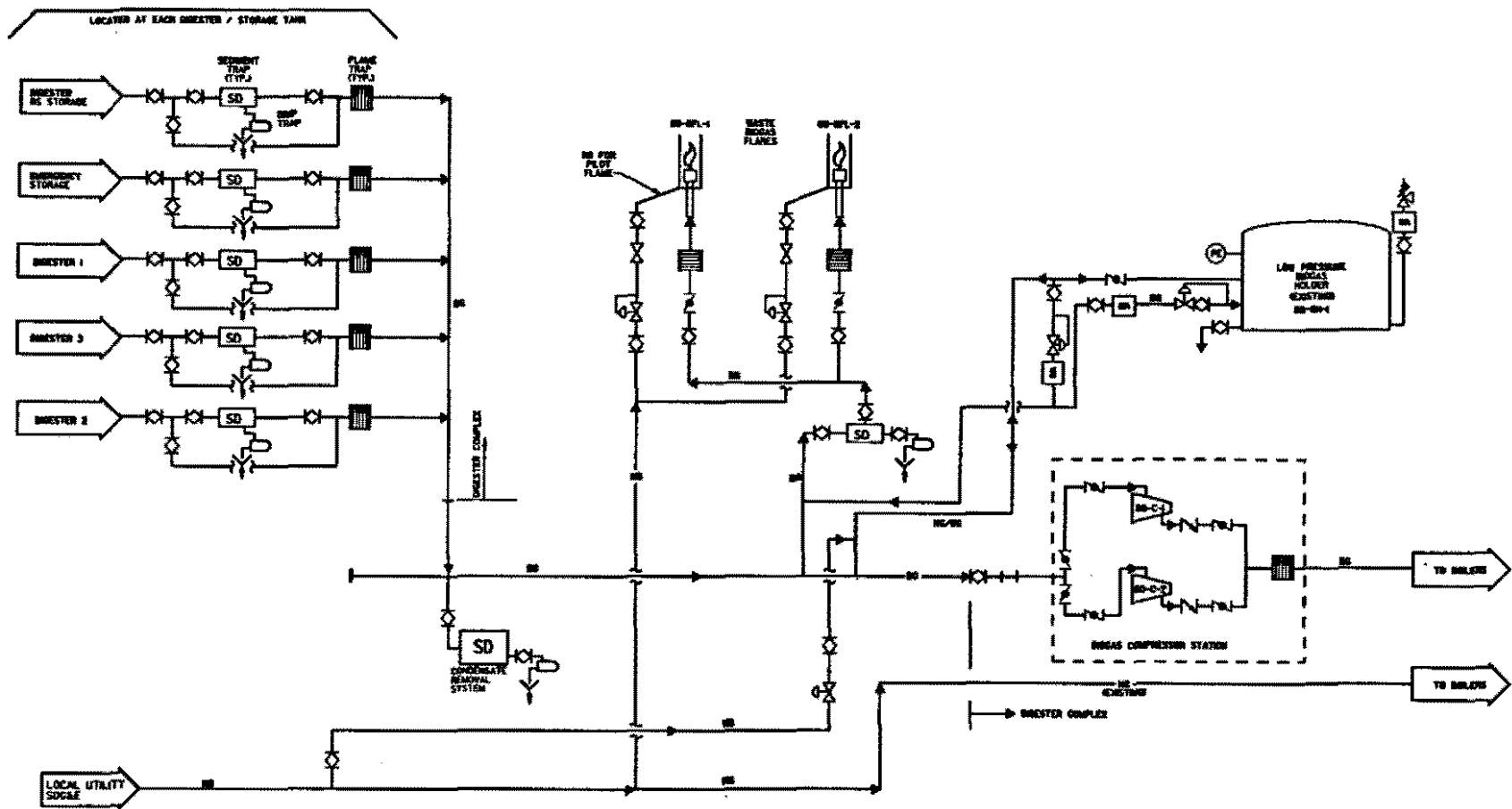


FIGURE 7
PROCESS FLOW DIAGRAM
BIOMETHANE COMPRESSORS & FLARES

R:\mbe-sams\figural.dwg
08-OCT-2008 08:43
dbr

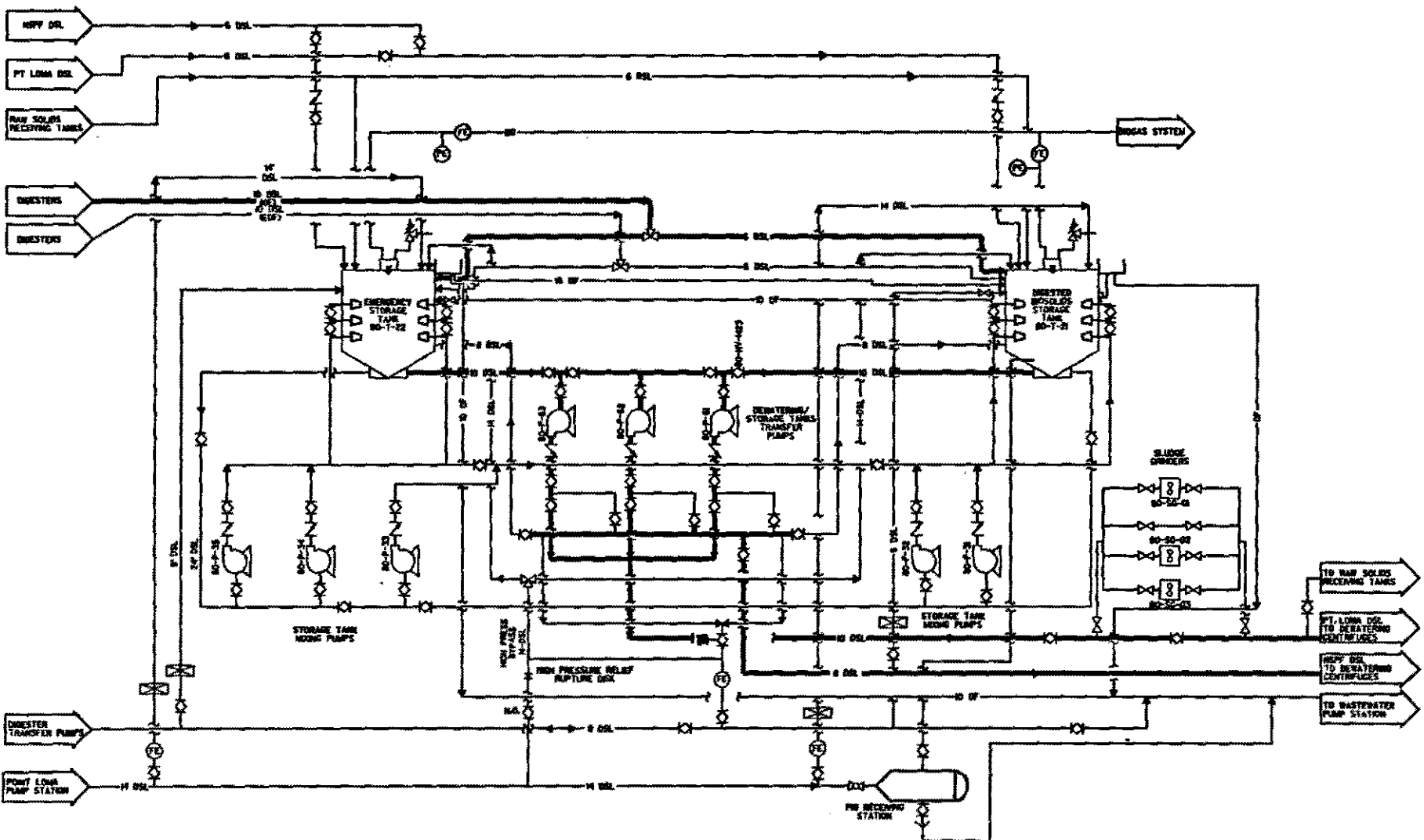


FIGURE 2
PROCESS FLOW DIAGRAM
DIGESTED BIOSOLIDS STORAGE

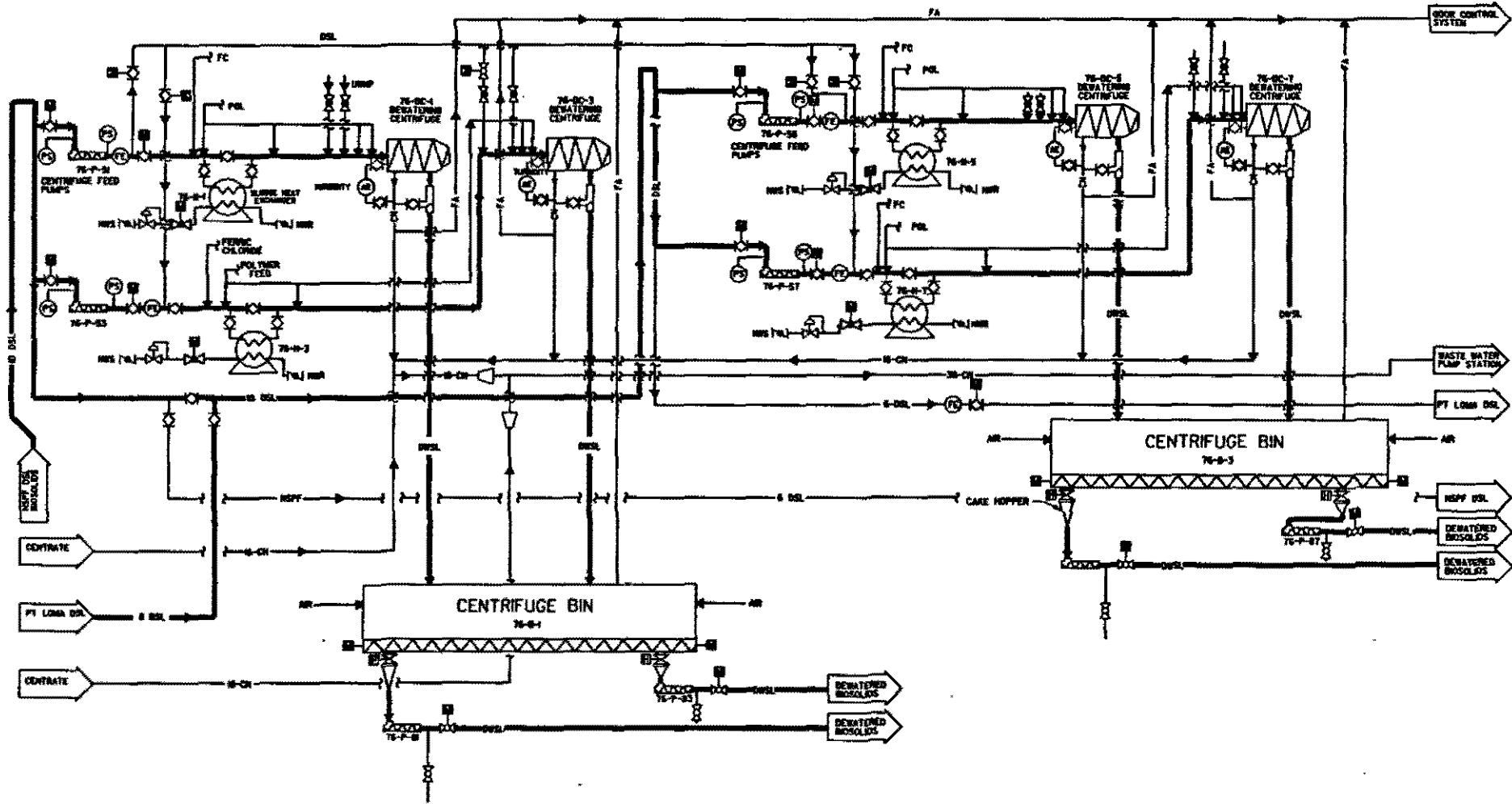


FIGURE 9
PROCESS FLOW DIAGRAM
DEWATERING

At:\mbo-camp\figure8.dgn
 08-OCT-2008 08:41

08-OCT-2008 08:42
R:\mbe-samp\figure10.dgn
cbrave

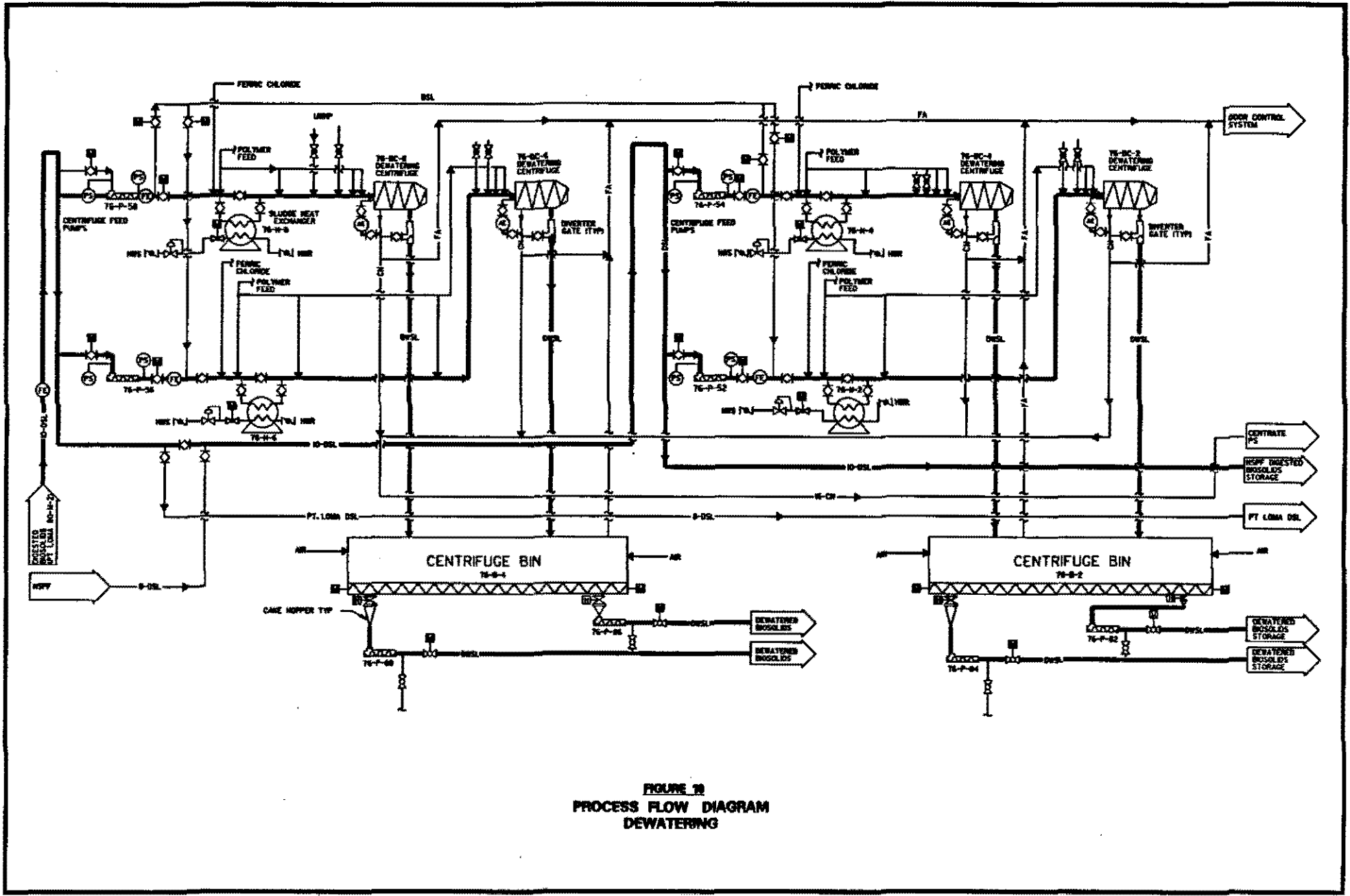


FIGURE 10
PROCESS FLOW DIAGRAM
DEWATERING

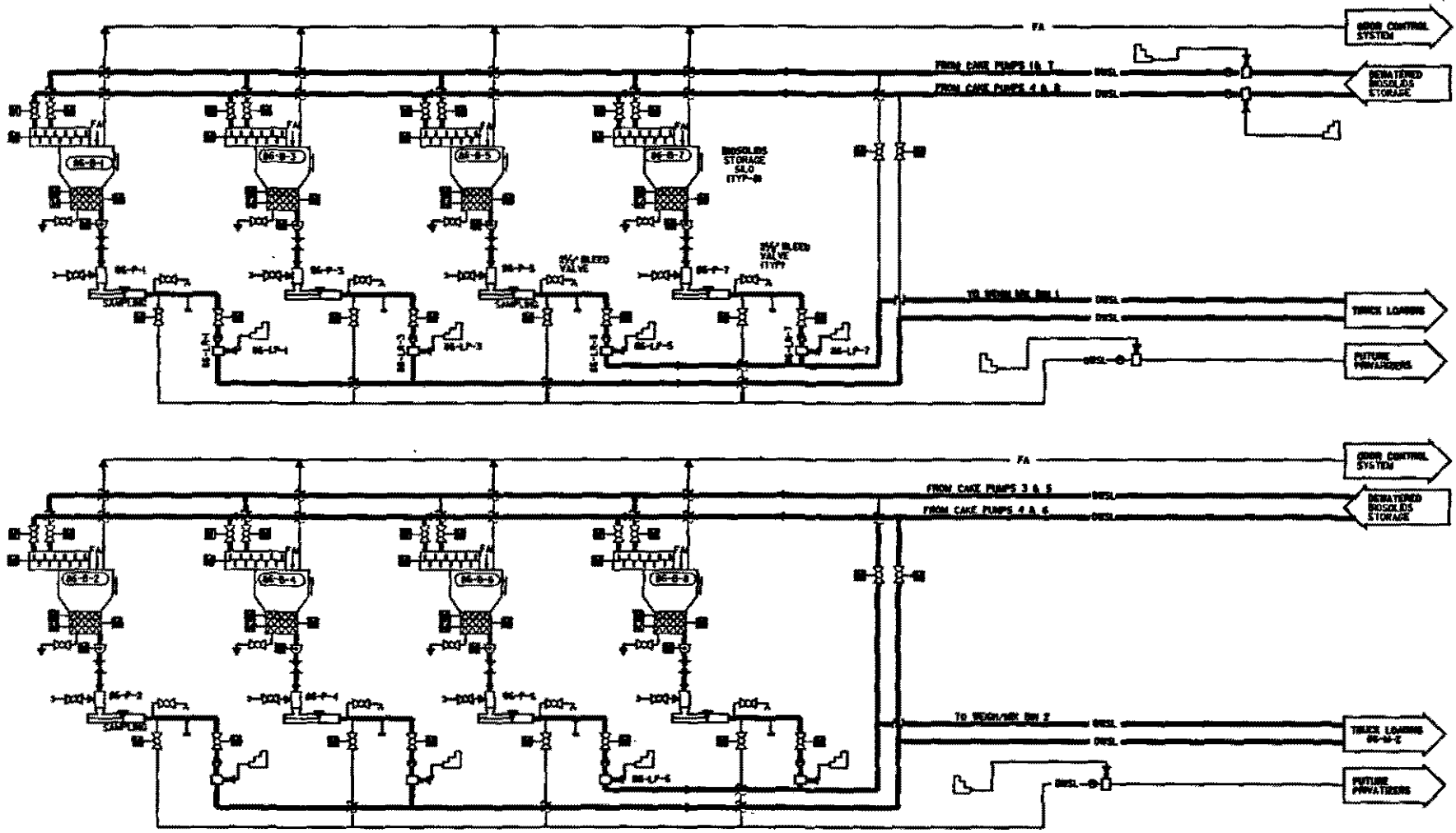


FIGURE 11
 PROCESS FLOW DIAGRAM
 DEWATERING BIOSOLIDS STORAGE

R:\mbe-camp\figure11.dgn
 ahrvee
 06-OCT-2006 08:42

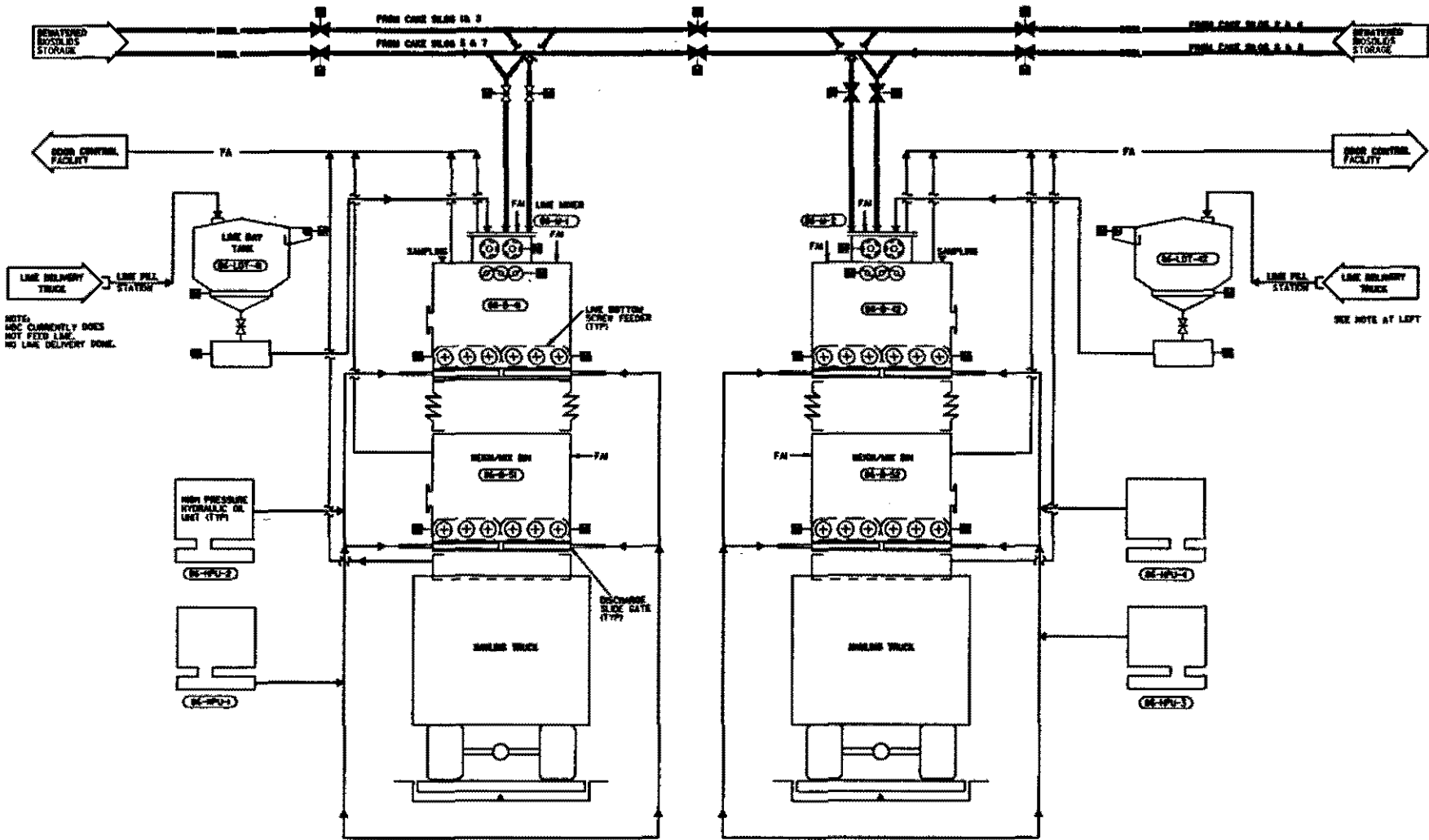
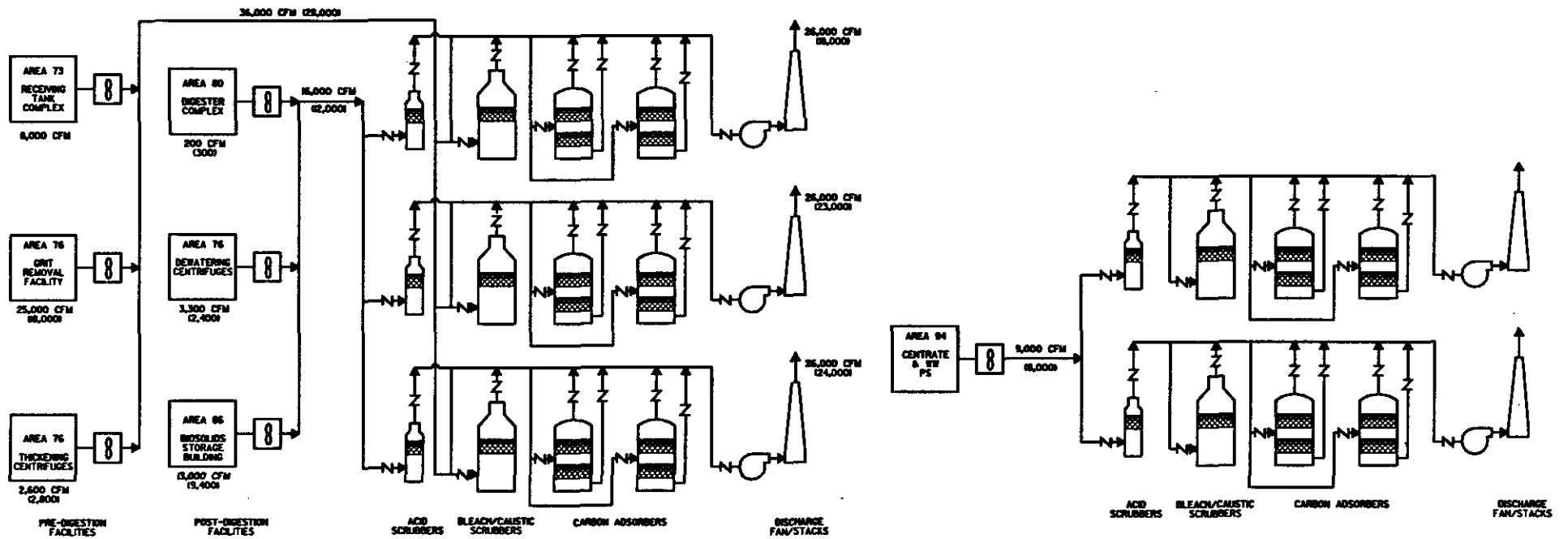


FIGURE 12

PROCESS FLOW DIAGRAM
DEWATERED BIOSOLIDS LOADOUT

R:\ymbo-camp\figure12.dgn
 06-OCT-2006 08:43
 000000



AREAS 80, 73, 76, 86, & 86

(2 DUTY + 1 STANDBY DOOR CONTROL SYSTEMS)

AREA 94

(4 DUTY + 1 STANDBY DOOR CONTROL SYSTEMS)

NOTES:

1. REFERENCE: "MBC AIR BALANCE SUMMARY FINAL TRF" BY B&C, FIGURES 1 & 2, NOVEMBER 2003.
2. AIR CFMS SHOWN ARE DESIGN & ACTUAL.

FIGURE 10
MBC ODOR CONTROL FOUL AIR FLOW DIAGRAMS

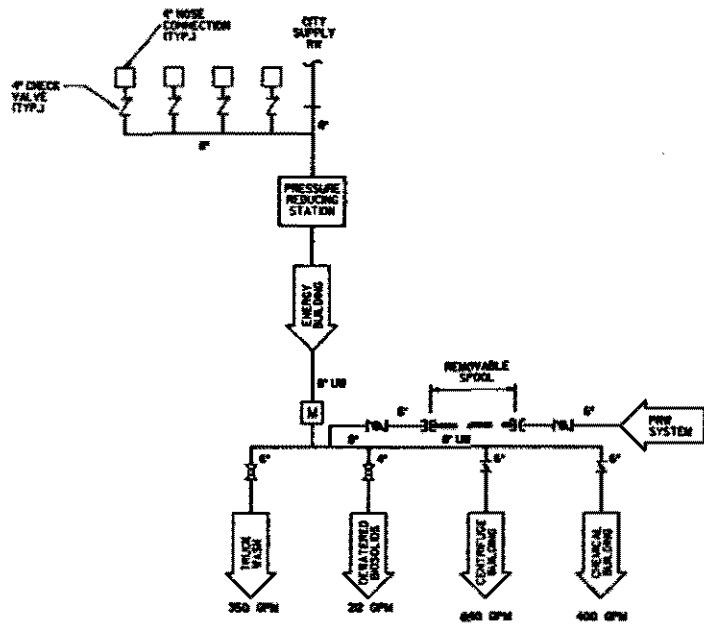


FIGURE 14

UTILITY WATER LOW PRESSURE (UWLP) SYSTEM FLOW DIAGRAM

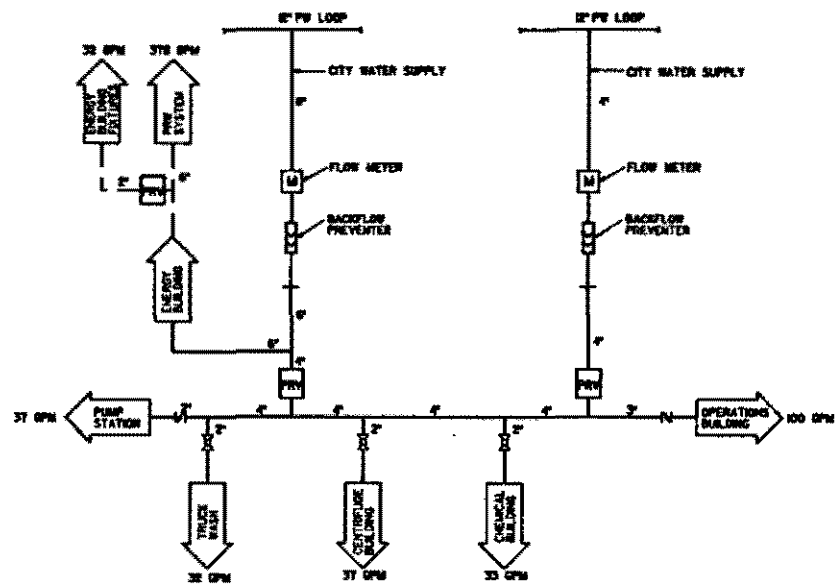


FIGURE 15

POTABLE WATER (PW) SYSTEM FLOW DIAGRAM

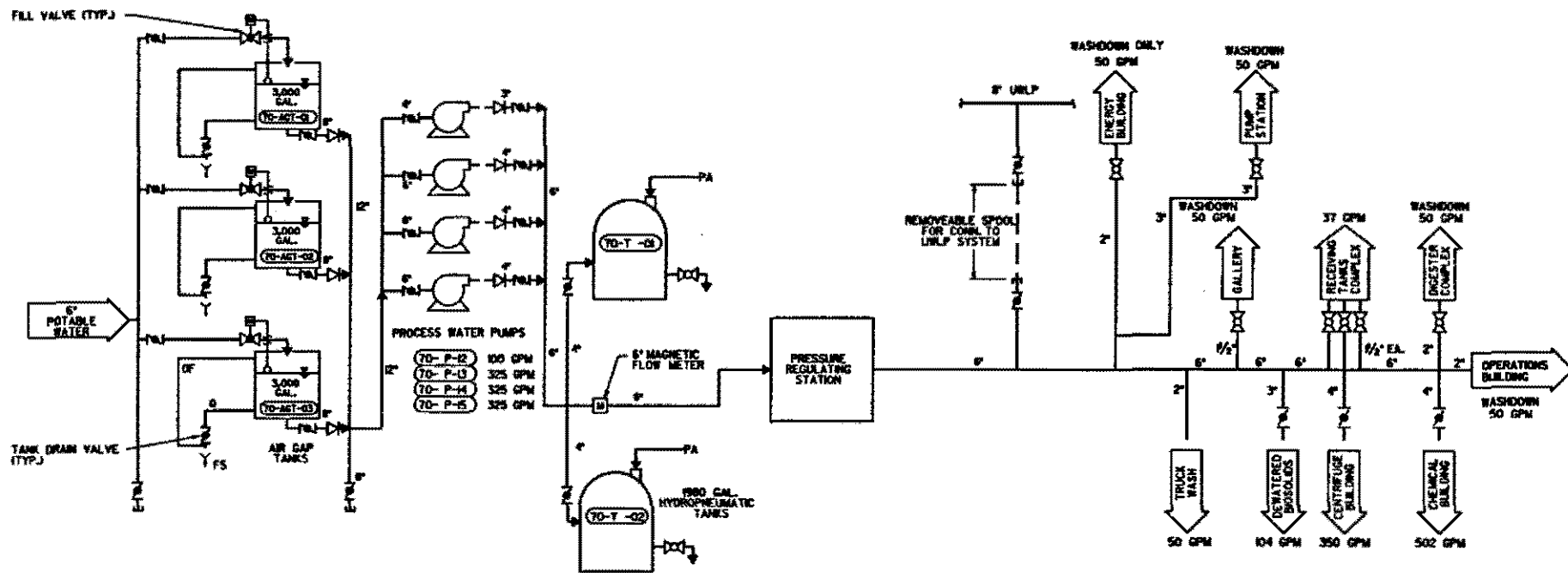


FIGURE 18
 PROCESS WATER (PRW) SYSTEM
 FLOW DIAGRAM

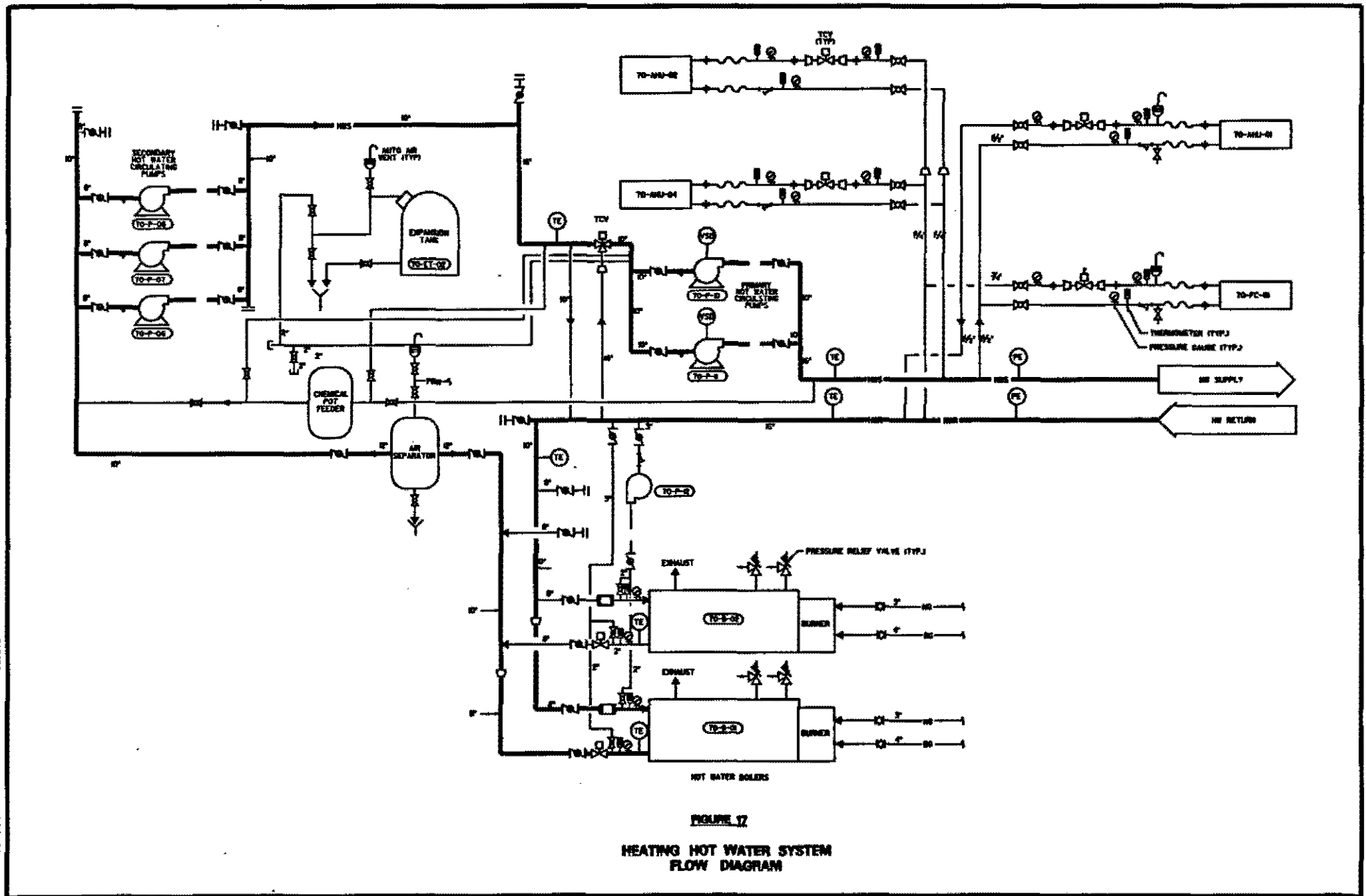


FIGURE 17
HEATING HOT WATER SYSTEM
FLOW DIAGRAM

05-OCT-2008 08:28
E:\mbo-camp\figure2.dgn
c:\msd

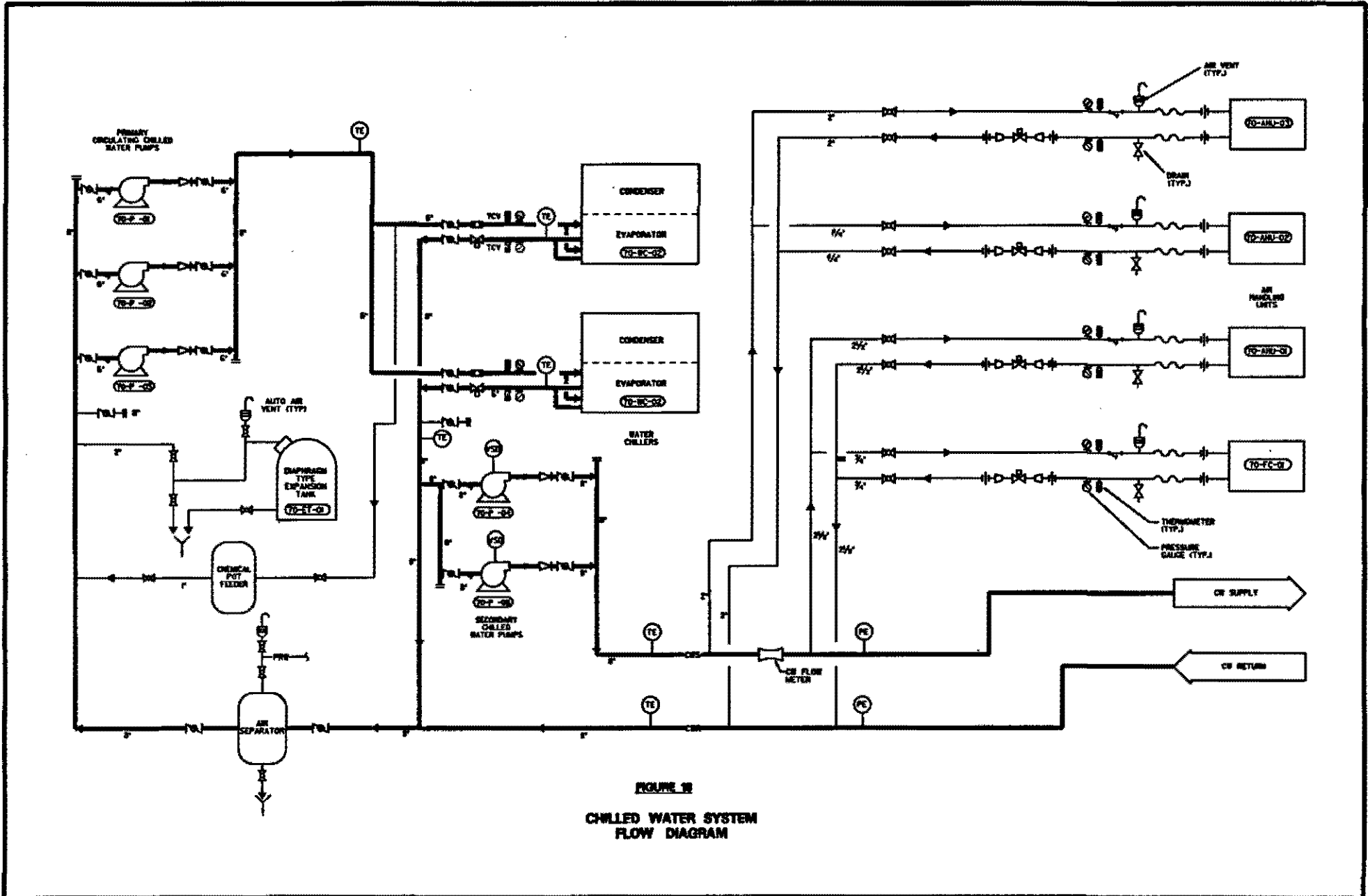


FIGURE 10
CHILLED WATER SYSTEM
FLOW DIAGRAM