



America's Finest City

THE CITY OF SAN DIEGO



# **Assessment Engineer's Report**

## **BLACK MOUNTAIN RANCH NORTH MAINTENANCE ASSESSMENT DISTRICT**

**Annual Update for Fiscal Year 2015**

**under the provisions of the**

**San Diego Maintenance Assessment District Ordinance  
of the San Diego Municipal Code**

**and**

**Landscaping & Lighting Act of 1972  
of the California Streets & Highways Code**

**Prepared For**

**City of San Diego, California**

**Prepared By**

**EFS Engineering, Inc.**

**P.O. Box 22370**

**San Diego, CA 92192-2370**

**(858) 752-3490**

**June 2014**

# **CITY OF SAN DIEGO**

## **Mayor**

Kevin Faulconer

## **City Council Members**

Sherrí Lightner  
District 1 (Council President Pro Tem)

Ed Harris  
District 2

Todd Gloria  
District 3 (Council President)

Myrtle Cole  
District 4

Mark Kersey  
District 5

Lorie Zapf  
District 6

Scott Sherman  
District 7

David Alvarez  
District 8

Marti Emerald  
District 9

## **City Attorney**

Jan Goldsmith

## **Chief Operating Officer**

Scott Chadwick

## **City Clerk**

Elizabeth Maland

## **Independent Budget Analyst**

Andrea Tevlin

## **City Engineer**

James Nagelvoort

## **Assessment Engineer**

EFS Engineering, Inc.

# Table of Contents

---

Assessment Engineer's Report  
Black Mountain Ranch North Maintenance Assessment  
District

Preamble .....	1
Executive Summary .....	2
Background .....	3
District Proceedings for Fiscal Year 2015 .....	3
Bond Declaration .....	3
District Boundary .....	4
Project Description .....	4
Separation of General and Special Benefits .....	5
City Standard .....	5
External Benefits.....	6
Cost Estimate .....	7
Estimated Costs.....	7
Annual Cost-Indexing.....	7
Method of Apportionment .....	8
Estimated Benefit of Improvements .....	8
Camino Del Sur & Paseo Del Sur.....	8
Other Collector & Neighborhood Streets .....	9
Apportionment Methodology .....	9
Equivalent Benefit Units (EBUs) .....	9
Land Use Factor.....	10
Unit Assessment Rates.....	12
Sample Calculations .....	13
Summary Results .....	15

## EXHIBITS

Exhibit A: Boundary Map

Exhibit B: Estimated Annual Expense, Revenues & Reserves

Exhibit C: Assessment Roll

# Assessment Engineer's Report Black Mountain Ranch North Maintenance Assessment District

---

## Preamble

Pursuant to the provisions of the "San Diego Maintenance Assessment District Ordinance" (being Division 2, Article 5, Chapter VI beginning at Section 65.0201 of the San Diego Municipal Code), provisions of the "Landscaping and Lighting Act of 1972" (being Part 2 of Division 15 of the California Streets and Highways Code), applicable provisions of "Proposition 218" (being Article XIID of the California Constitution), and provisions of the "Proposition 218 Omnibus Implementation Act" (being California Senate Bill 919) (the aforementioned provisions are hereinafter referred to collectively as "Assessment Law"), in connection with the proceedings for the BLACK MOUNTAIN RANCH NORTH MAINTENANCE ASSESSMENT DISTRICT (hereinafter referred to as "District"), EFS ENGINEERING, INC., as Assessment Engineer to the City of San Diego for these proceedings, submits herewith this report for the District as required by California Streets and Highways Code Section 22565.

FINAL APPROVAL, BY RESOLUTION NO. \_\_\_\_\_ ,  
ADOPTED BY THE CITY COUNCIL OF THE CITY OF SAN  
DIEGO, COUNTY OF SAN DIEGO, CALIFORNIA, ON THE  
\_\_\_\_\_ DAY OF \_\_\_\_\_, 2014.

---

Elizabeth Maland, CITY CLERK  
CITY OF SAN DIEGO  
STATE OF CALIFORNIA



## Executive Summary

**Project:** Black Mountain Ranch North  
 Maintenance Assessment District

**Apportionment Method:** Equivalent Benefit Unit (EBU)

	<b>FY 2014</b>	<b>FY 2015 <sup>(1)</sup></b>	<b>Maximum <sup>(2)</sup> Authorized</b>
<b>Total Parcels Assessed:</b>	1,804	2,154	--
<b>Total Estimated Assessment:</b>	\$0.00	\$0.00	--
<b>Total Number of EBUs:</b>	5,980.69	5,966.28	--
<i>Zone A</i>	1,583.04	1,583.04	--
<i>Zone B</i>	12.00	12.00	--
<i>Zone C</i>	58.00	58.00	--
<i>Zone D</i>	618.83	618.83	--
<i>Zone E</i>	575.24	575.24	--
<i>Zone F</i>	1,723.39	1,578.53	--
<i>Zone G</i>	505.57	633.93	--
<i>Zone H</i>	904.62	906.71	--
<b>Assessment per EBU:</b>			
<i>Zone A</i>	\$0.00	\$0.00	\$15.60 <sup>(3)</sup>
<i>Zone B</i>	\$0.00	\$0.00	\$251.82 <sup>(3)</sup>
<i>Zone C</i>	\$0.00	\$0.00	\$41.11 <sup>(3)</sup>
<i>Zone D</i>	\$0.00	\$0.00	\$194.14 <sup>(3)</sup>
<i>Zone E</i>	\$0.00	\$0.00	\$148.27 <sup>(3)</sup>
<i>Zone F</i>	\$0.00	\$0.00	\$43.42 <sup>(3)</sup>
<i>Zone G</i>	\$0.00	\$0.00	\$51.96 <sup>(3)</sup>
<i>Zone H</i>	\$0.00	\$0.00	\$30.75 <sup>(3)</sup>

<sup>(1)</sup> FY 2015 is the City's Fiscal Year 2015, which begins July 1, 2014 and ends June 30, 2015. Total Parcels Assessed, Total Estimated Assessment, and Total Number of EBUs may vary from prior fiscal year values due to parcel changes and/or land use re-classifications.

<sup>(2)</sup> Maximum authorized annual amounts subject to cost-indexing provisions as set forth in this Assessment Engineer's Report.

<sup>(3)</sup> Prior fiscal year's maximum authorized annual assessment increased by cost-indexing factor of 4.71%.

**Annual Cost-Indexing:** The maximum authorized assessment rate has been increased based on the approved annual cost-indexing provisions.

**Bonds:** No bonds will be issued in connection with this District.



---

## Background

Black Mountain Ranch – “Subarea 1” of the City of San Diego (City) North City Future Urbanizing Area – is located east of Fairbanks Ranch and north of Torrey Highlands. The purpose of the Black Mountain Ranch North Maintenance Assessment District (District) is to fund annual maintenance of identified lighting improvements within the northern portion of Subarea 1. The City retained Boyle Engineering Corporation to prepare an Assessment Engineer’s Report for Fiscal Year 2007 and beyond. The Assessment Engineer’s Report was approved and assessments confirmed in Fiscal Year 2007.

---

## District Proceedings for Fiscal Year 2015

This District is authorized and administered under the provisions of the “San Diego Maintenance Assessment District Ordinance” (being Division 2, Article 5, Chapter VI beginning at Section 65.0201 of the San Diego Municipal Code), provisions of the “Landscaping and Lighting Act of 1972” (being Part 2 of Division 15 of the California Streets and Highways Code), applicable provisions of “Proposition 218” (being Article XIID of the California Constitution), and provisions of the “Proposition 218 Omnibus Implementation Act” (being California Senate Bill 919) (the aforementioned provisions are hereinafter referred to collectively as “Assessment Law”). This report has been prepared in compliance with Assessment Law.

The purpose of the proposed proceedings and this Assessment Engineer’s Report is to update the District budget and assessments for Fiscal Year 2015. The Fiscal Year 2015 assessments proposed within this Assessment Engineer’s Report are equal to or less than the maximum authorized assessment. Therefore, the vote requirements of Section 4 of Article XIID do not apply to these proceedings.

A public hearing will be scheduled where public testimony will be heard by the Council, and the Council may, at its discretion, adopt a resolution ordering the levying of the proposed assessments.

## Bond Declaration

No bonds will be issued in connection with this District.



---

## District Boundary

The boundary of the District generally coincides with the northern portion of Black Mountain Ranch, areas which receive direct and immediate access from the improvement (maintenance) corridors. For benefit apportionment purposes, the District has been divided into eight zones (denoted as "A," "B," "C," "D," "E," "F," "G" and "H") as shown in **Exhibit A**.

The Boundary Map and Assessment Diagram for the District are on file in the Maintenance Assessment Districts section of the Park and Recreation Department of the City of San Diego, and by reference are made a part of this report. The Boundary Map and Assessment Diagram for the District are available for public inspection during normal business hours. A reduced copy of the Boundary Map is included as **Exhibit A**.

---

## Project Description

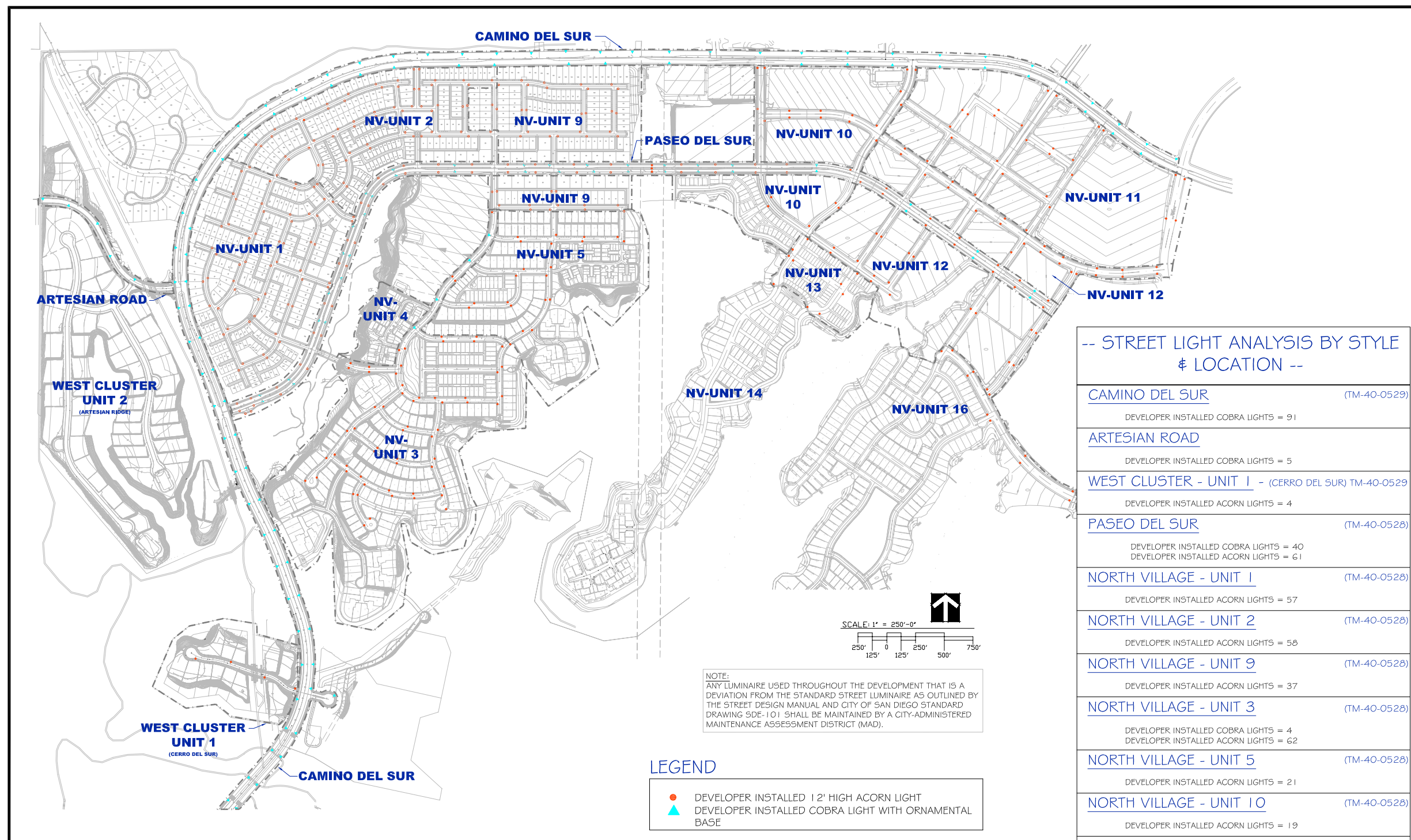
The project to be funded by the proposed assessments is the annual maintenance of identified street lighting improvements (i.e., decorative acorn style and cobra style fixtures) within the District. The District improvements are generally located as shown in **Figure 1**. For additional detail as to location and type of improvements, please refer to the engineering plans and specifications on file with the City Park and Recreation Department. The improvements include, but are not limited to, the following: poles, fixtures, bulbs, conduits, and other appurtenant facilities required to provide such lighting service. Maintenance includes, but is not limited to, the furnishing services and materials necessary for the ordinary and usual operation, preservation, repair, and rehabilitation of the District improvements.

The proposed assessments may be used to construct and/or maintain additional improvements of like character and nature within the District to the extent that such improvements are consistent with the current apportionment methodology.

The engineering drawings for the improvements to be maintained by the District are on file at Map and Records in the Development Services Department. The improvements and services provided by the District will be maintained in accordance with specifications and contracts on file with the Park and Recreation Department. These







NOTE:  
 ANY LUMINAIRE USED THROUGHOUT THE DEVELOPMENT THAT IS A DEVIATION FROM THE STANDARD STREET LUMINAIRE AS OUTLINED BY THE STREET DESIGN MANUAL AND CITY OF SAN DIEGO STANDARD DRAWING SDE-101 SHALL BE MAINTAINED BY A CITY-ADMINISTERED MAINTENANCE ASSESSMENT DISTRICT (MAD).

**LEGEND**

- DEVELOPER INSTALLED 12' HIGH ACORN LIGHT
- ▲ DEVELOPER INSTALLED COBRA LIGHT WITH ORNAMENTAL BASE

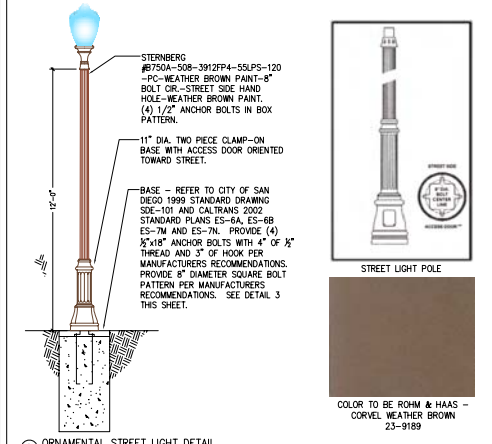
-- STREET LIGHT ANALYSIS BY STYLE & LOCATION --

<b>CAMINO DEL SUR</b>	(TM-40-0529)
DEVELOPER INSTALLED COBRA LIGHTS = 91	
<b>ARTESIAN ROAD</b>	
DEVELOPER INSTALLED COBRA LIGHTS = 5	
<b>WEST CLUSTER - UNIT 1 - (CERRO DEL SUR)</b>	TM-40-0529
DEVELOPER INSTALLED ACORN LIGHTS = 4	
<b>PASEO DEL SUR</b>	(TM-40-0528)
DEVELOPER INSTALLED COBRA LIGHTS = 40 DEVELOPER INSTALLED ACORN LIGHTS = 61	
<b>NORTH VILLAGE - UNIT 1</b>	(TM-40-0528)
DEVELOPER INSTALLED ACORN LIGHTS = 57	
<b>NORTH VILLAGE - UNIT 2</b>	(TM-40-0528)
DEVELOPER INSTALLED ACORN LIGHTS = 58	
<b>NORTH VILLAGE - UNIT 9</b>	(TM-40-0528)
DEVELOPER INSTALLED ACORN LIGHTS = 37	
<b>NORTH VILLAGE - UNIT 3</b>	(TM-40-0528)
DEVELOPER INSTALLED COBRA LIGHTS = 4 DEVELOPER INSTALLED ACORN LIGHTS = 62	
<b>NORTH VILLAGE - UNIT 5</b>	(TM-40-0528)
DEVELOPER INSTALLED ACORN LIGHTS = 21	
<b>NORTH VILLAGE - UNIT 10</b>	(TM-40-0528)
DEVELOPER INSTALLED ACORN LIGHTS = 19	
<b>NORTH VILLAGE - UNIT 11</b>	(TM-40-0528)
DEVELOPER INSTALLED ACORN LIGHTS = 27	
<b>NORTH VILLAGE - UNIT 12</b>	(TM-40-0528)
DEVELOPER INSTALLED ACORN LIGHTS = 41	
<b>NORTH VILLAGE - UNIT 13</b>	(TM-40-0528)
DEVELOPER INSTALLED ACORN LIGHTS = 12	
<b>NORTH VILLAGE - UNIT 16</b>	(TM-40-0528)
DEVELOPER INSTALLED ACORN LIGHTS = 10	

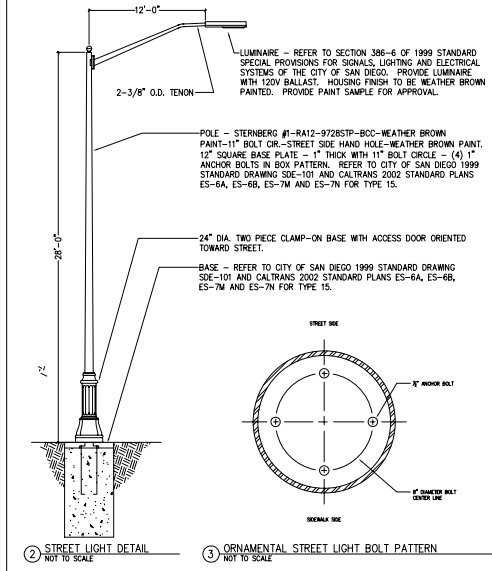
**LIGHTING DETAILS AND AESTHETICS**



DEL SUR - STREET LIGHTS & SIGNAGE



1 ORNAMENTAL STREET LIGHT DETAIL NOT TO SCALE



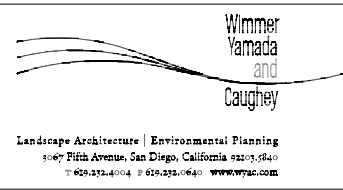
2 STREET LIGHT DETAIL NOT TO SCALE

3 ORNAMENTAL STREET LIGHT BOLT PATTERN NOT TO SCALE

DEL SUR - PUBLIC STREET LIGHT EXHIBIT



**CLIENT:** Black Mountain Ranch LLC  
**CONSULTANT:** Wimmer Yamada and Caughey  
**DATE:** February 24, 2006





documents are available for public inspection during normal business hours.

---

## Separation of General and Special Benefits

The identified improvements/services provide benefits to the parcels located within the District. Some of these benefits are “special benefits,” benefits that are above and beyond the City’s standard level of service, and exclusive of those “general benefits” provided to the public at large or properties located outside the District. Under Assessment Law, only “special benefits” are assessable. As such, isolation and quantification of the “special benefits” associated with the improvements/services are paramount, and illustrated in the following equations:

$$\text{Special Benefits} = \text{Total Benefits} - \text{General Benefits}$$

$$\text{General Benefits} = \text{City Standard} + \text{External Benefits}$$

$$\text{Special Benefits} = \text{Total Benefits} - [\text{City Standard} + \text{External Benefits}]$$

In these equations, “Total Benefits” refers to the cost of providing the total benefits of the improvements/services; “City Standard” represents the cost of providing the City’s standard level of service; and “External Benefits” refers to the cost of those additional benefits accruing to the public at large or properties located outside the District. In order to isolate the “Special Benefits,” it is necessary to quantify the amount of “General Benefits” associated with the improvements/services.

### City Standard

As a “general benefit” (not funded by assessments), the District will continue to receive the standard level of service provided to the public at large under City-funded and administered programs for maintenance and servicing of public facilities and improvements (e.g., medians, open space, street lights, street trees, sidewalks, parks, etc.), including street sweeping and graffiti removal on public property. Consistent with City policy for the public at large, the City will contribute for lighting maintenance and energy costs an amount equivalent to that



used for City minimum required streetlights (see *City Council Policy 200-18* for lighting standards). These levels of service, reviewed and adjusted annually by the City, are “general benefits” administered by the District. **Table 1** provides a summary of lighting fixtures by zone, and a quantification of those fixtures in excess of the City standard.

### External Benefits

Assessment Law prohibits levying assessments to pay for “general benefits” conferred to the public at large or properties located outside the District. Based on a review of the spatial limits of the District and the proposed improvements/services, it has been determined that the maintenance and servicing of the improvements has the potential to confer benefits to others outside the District.

It is estimated as much as 1.2% of the total benefit (in excess of the City standard) may accrue to the public at large or properties located outside the District (with an estimated 0.0% accruing directly to properties located outside the District, and the remaining 1.2% accruing to the general public as indirect/incidental beneficiaries passing through the District or utilizing District-provided amenities). The estimated costs associated with these “general benefits” have been quantified and will not be funded by assessment



**TABLE 1: Lighting Fixture Count by Zone**

	ZONE								Total
	A <sup>(1)</sup>	B	C	D	E	F	G	H	
<b>Total Fixture Count</b>									
■ Acorn Style	61	4	0	140	95	65	28	18	411
■ Cobra Style	131	0	5	0	4	0	0	0	140
<b>Total:</b>	192	4	5	140	99	65	28	18	551
<b>City Standard Fixture Count <sup>(2)</sup></b>									
■ Acorn Style	26	4	0	72	48	48	14	9	221
■ Cobra Style	131	0	5	0	4	0	0	0	140
<b>Total</b>	157	4	5	72	52	48	14	9	361
<b>Fixtures In Excess of City Standard <sup>(3)</sup></b>									
■ Acorn Style	35	0	0	68	47	17	14	9	190
■ Cobra Style	0	0	0	0	0	0	0	0	0
<b>Total</b>	35	0	0	68	47	17	14	9	190

<sup>(1)</sup> Overlay lighting fixtures (located along Camino Del Sur and Paseo Del Sur).

<sup>(2)</sup> Acorn style fixture count for “general benefit” energy contribution purposes only. Maintenance of acorn style light fixtures is entirely a “special benefit.”

<sup>(3)</sup> Identified based on standard street light spacing requirements.

## Cost Estimate

### Estimated Costs

Estimated Fiscal Year 2015 annual expenses, revenues, reserves, and assessments (provided by the City) are included as **Exhibit B** hereto.

### Annual Cost-Indexing

With the passage of Proposition 218, any proposed increase in assessments must be placed for approval before the property owners by a mail ballot and a public hearing process, similar to these proceedings. A majority of ballots received must be affirmative for the City Council to confirm and levy the increased assessments. For small assessment districts or districts with relatively low dollar assessments, the cost of an engineer’s report, balloting, and the public hearing process can potentially exceed the total cost of the increase. These incidental costs of the proceedings can be added to the assessments,



resulting in even higher assessments.

Indexing assessments annually to the San Diego Consumer Price Index for Urban Consumers (SDCPI-U) plus 3%, as approved by the District property owners in Fiscal Year 2007, allows for minor increases for normal maintenance and operating cost escalation without incurring the costs of the Proposition 218 ballot proceedings. Any significant change in the assessment initiated by an increase in service provided or other significant changes to the District would still require the Proposition 218 proceedings and property owner approval.

The maximum authorized assessment established in the Fiscal Year 2007 proceedings are authorized to be indexed (increased or decreased) annually by the factor published in the SDCPI-U plus 3%. The annual change in second half SDCPI-U values, as compiled by the U.S. Bureau of Labor Statistics (see [www.bls.gov](http://www.bls.gov)), for the prior year period was from 257.285 to 261.679 (a 1.71% increase). In accordance with the approved cost-indexing provisions, the maximum authorized assessment rates contained within this Assessment Engineer's Report have been increased by 4.71%.

---

## Method of Apportionment

### Estimated Benefit of Improvements

The Community Design Element of the *Black Mountain Ranch Subarea Plan* (Subarea Plan) and the general policy recommendations found in the City's *Progress Guide & General Plan* (General Plan) establish several goals and guidelines for the planned development of the community. The District improvements are consistent with these goals. The City's General Plan and Subarea Plan support the establishment of community-based improvement and maintenance districts, such as this District, to fund maintenance of enhanced improvements and/or services.

### *Camino Del Sur & Paseo Del Sur*

Collectively, Camino Del Sur and Paseo Del Sur make up the backbone street network for the community. These streets serve as the primary access routes for inter-community and intra-community trips, serving all parcels within the community. All



parcels within the District benefit from the aesthetic enhancement of these streets and the enhanced community image provided by the improvements being maintained by the District. As such, all parcels within the District have been assessed for the maintenance of the improvements on Camino Del Sur and Paseo Del Sur. The assessment costs associated with these improvements (common to all parcels) are termed “overlay” costs.

### **Other Collector & Neighborhood Streets**

The other collector and neighborhood streets serve as the primary access routes to and from the backbone street system, serving parcels within a specific area. Only those parcels served by such collector and neighborhood streets benefit from their enhancement. Consistent with this concept, the District has been divided into eight zones as shown in **Exhibit A**. The assessment costs associated with improvements located along the other collector and neighborhood streets are termed “zone” costs.

### **Apportionment Methodology**

The total cost for maintenance of the identified improvements will be assessed proportionally to the parcels in the District based on Equivalent Benefit Units (EBUs). The total assessment for a given parcel is equal to the parcel’s total EBUs multiplied by the Unit Assessment Rate (unique to the zone in which parcel is situated) as shown in the following equation:

$$\text{Total Assessment} = \text{Total EBUs} \times \text{Unit Assessment Rate}$$

### **Equivalent Benefit Units (EBUs)**

EBUs for each parcel have been determined as a function of parcel area or number of residential units and a Land Use Factor, as shown in the following equation:

$$\text{EBUs} = (\text{Acres or Units}) \times \text{Land Use Factor}$$



Parcels determined to receive no benefit from maintenance of the District improvements have been assigned zero (0) EBUs.

### ***Land Use Factor***

Since the proposed District improvements are primarily associated with the Transportation Element of City's General Plan and Community Plan, trip generation rates for various land use categories (as previously established by the City's Transportation Planning Section) have been used as the primary basis for the development of Land Use Factors. While these trip generation rates address vehicular trips, they are also considered to approximately reflect relative trip generation for other modes of transportation (e.g., pedestrian trips, bicycle trips, etc.), and are considered the best available information for these other transportation modes.

Trip generation rates provide the required nexus and basis for assigning relative proportionality of potential benefit to the various land use/zoning classifications (as defined by the City's Municipal Code) within the District. Land use/zoning classifications have been grouped with averaged trip generation rates assigned to establish the Land Use Factors as shown in **Table 2**.





**TABLE 2: Land Use Factors**

<b>Land Use/Zoning</b>	<b>Code</b>	<b>Land Use Factor <sup>(1)</sup></b>
Residential – Single Family (detached)	SFD	1.0 per dwelling unit
Residential – Condominium	CND	0.7 per dwelling unit
Residential – Multi-Family & Apartment	MFR	0.7 per dwelling unit
Commercial – Office & Retail	COM	45.0 per acre
Educational – Primary & Secondary	EPS	5.0 per acre
Fire/Police Station	FPS	15.0 per acre
Golf Course	GLF	0.80 per acre
Hotel	HTL	15.0 per acre
Industrial & Institutional	IND	15.0 per acre
Open Space (designated)	OSP	0 per acre
Park – Developed	PKD	5.0 per acre
Park – Undeveloped	PKU	0.5 per acre
Recreational Facility	REC	3.0 per acre
Street/Roadway	STR	0 per acre
Transit Station	TRN	30.0 per acre
Street/Roadway	STR	0 per acre
Undevelopable	UND	0 per acre
Utility Facility	UTL	3.0 per acre

<sup>(1)</sup> Proportional to trip generation rates contained in the City of San Diego *Trip Generation Manual* (May 2003).

Designated open space serves primarily to preserve natural landscape and habitat. While access for study and passive recreation is often permitted, these activities are allowed only to the extent they are consistent with the primary purpose of natural preservation. Since this land is essentially “unused” in the customary terms of land use (which relate to human use and development), the trip generation rate is zero. Therefore, the designated open space itself receives no benefit from the District improvements and has been assigned a Land Use Factor of zero.

While those traveling the streets and roadways visually enjoy the enhanced improvements being maintained by the District, the actual benefit accrues to the lands at the origins and destinations of their trips, not to the lands of the streets and roadways, themselves. Accordingly, the Streets/Roadways category receives no benefit and has been assigned a Land Use Factor of zero.



The Recreational Facility category includes those parcels that consist primarily of concentrated facilities, such as swimming pools, gymnasiums, racquetball clubs, etc. Recreational facilities of a more dispersed nature (e.g., parks, golf courses, etc.) have been categorized separately.

### Unit Assessment Rates

As previously mentioned, all parcels have been assessed for the maintenance of improvements located along Camino Del Sur and Paseo Del Sur. The assessment costs associated with these improvements (common to all parcels) are termed “overlay” costs. Parcels within each zone have been assessed for the maintenance of the improvements on the collector and neighborhood streets serving their respective zone. The assessment costs associated with these improvements are termed “zone” costs.

The total “overlay” costs have been apportioned to each parcel in proportion to the parcel’s estimated EBUs relative to the total of all District EBUs. The total “zone” costs have been apportioned to each parcel in proportion to the parcel’s estimated EBUs relative to the total of all EBUs within the zone.

The Unit Assessment Rate (rate per EBU) is equal to the sum of the “overlay” unit rate and the “zone” unit rate as shown in the following equation:

$\text{Unit Assessment Rate} = \text{Overlay Unit Rate} + \text{Zone Unit Rate}$
--

**Table 3** summarizes the Fiscal Year 2015 and maximum authorized unit assessment rates.



**TABLE 3: Fiscal Year 2015 & Maximum Authorized Unit Assessment Rates**

	Unit Assessment Rate by Zone							
	A	B	C	D	E	F	G	H
<b>Fiscal Year 2015</b> <sup>(1)</sup>								
Overlay Unit Rate	\$0.00	\$0.00	\$0.00	\$0.00	\$0.00	\$0.00	\$0.00	\$0.00
Zone Unit Rate	\$0.00	\$0.00	\$0.00	\$0.00	\$0.00	\$0.00	\$0.00	\$0.00
Unit Assessment Rate	\$0.00	\$0.00	\$0.00	\$0.00	\$0.00	\$0.00	\$0.00	\$0.00
<b>Maximum Authorized</b> <sup>(2)(3)</sup>								
Unit Assessment Rate	\$15.60	\$251.82	\$41.11	\$194.14	\$148.27	\$43.42	\$51.96	\$30.75

<sup>(1)</sup> Fiscal Year 2015 begins July 1, 2014 and ends June 30, 2015.  
<sup>(2)</sup> Prior fiscal year's maximum authorized annual assessment increased by cost-indexing factor of 4.71%.  
<sup>(3)</sup> Subject to cost-indexing provisions set forth in this Assessment Engineer's Report.

### Sample Calculations

As described above, the number of Equivalent Benefit Units (EBUs) assigned to each parcel in the District has been calculated based on each parcel's land use and the identified apportionment factors, as shown in the following equation:

$EBUs = (Acres \text{ or } Units) \times \text{Land Use Factor}$
--

Shown below are sample EBU calculations for several common land uses found in the District.

- **1 Single-Family Residence**  
EBUs = 1 unit x 1.00 = 1.00 EBUs
- **1 Condominium**  
EBUs = 1 unit x 0.70 = 0.70 EBUs
- **10-unit Apartment Complex**  
EBUs = 10 units x 0.70 = 7.00 EBUs
- **½-acre Commercial Property**  
EBUs = 0.50 acres x 45.00 = 22.50 EBUs



The total assessment for each parcel in the District is based on the calculated EBUs for the parcel and the applicable unit assessment rate for the zone in which the parcel is located, as shown in the following equation:

$$\text{Total Assessment} = \text{Total EBUs} \times \text{Unit Assessment Rate}$$

Based on the above formula, the EBUs, unit assessment rate, and total assessment calculated for each property, can be found in the Assessment Roll (**Exhibit C**).



---

## Summary Results

The District Boundary is presented in **Exhibit A**.

An estimate of the costs of the improvements provided by the District is included as **Exhibit B** to this report.

The assessment methodology utilized is as described in the text of this report. Based on this methodology, the EBUs and Fiscal Year 2015 District assessment for each parcel were calculated and are shown in the Assessment Roll (**Exhibit C**).

Each lot or parcel of land within the District has been identified by unique County Assessor's Parcel Number on the Assessment Roll and the Boundary Map and Assessment Diagram referenced herein. The net assessment for each parcel for Fiscal Year 2015 can be found on the Assessment Roll.

This report has been prepared and respectfully submitted by:



Eugene F. Shank, PE

C 52792

Sharon F. Risse



I, \_\_\_\_\_, as CITY CLERK of the CITY OF SAN DIEGO, COUNTY OF SAN DIEGO, CALIFORNIA, do hereby certify that the Assessment as shown on the Assessment Roll, together with the Assessment Diagram, both of which are incorporated into this report, were filed in my office on the \_\_\_\_ day of \_\_\_\_\_, 2014.

---

Elizabeth Maland, CITY CLERK  
CITY OF SAN DIEGO  
STATE OF CALIFORNIA

I, \_\_\_\_\_, as CITY CLERK of the CITY OF SAN DIEGO, COUNTY OF SAN DIEGO, CALIFORNIA, do hereby certify that the foregoing Assessment, together with the Assessment Diagram incorporated into this report, was approved and confirmed by the CITY COUNCIL of said City on the \_\_\_\_ day of \_\_\_\_\_, 2014.

---

Elizabeth Maland, CITY CLERK  
CITY OF SAN DIEGO  
STATE OF CALIFORNIA

---



# **EXHIBIT A**



## BOUNDARY MAP & ASSESSMENT DIAGRAM

FILED IN THE OFFICE OF THE CITY CLERK OF THE CITY OF SAN DIEGO, STATE OF CALIFORNIA, THIS \_\_\_\_ DAY OF \_\_\_\_\_, 2006.

ELIZABETH MALAND, CITY CLERK  
CITY OF SAN DIEGO  
STATE OF CALIFORNIA

PREPARED BY:  
**BOYLE ENGINEERING CORPORATION**  
7807 Conroy Court, Suite 200, San Diego, California 92111 (659) 268-8080

I HEREBY CERTIFY THAT THE WITHIN MAP SHOWING PROPOSED BOUNDARIES OF THE BLACK MOUNTAIN RANCH NORTH MAINTENANCE ASSESSMENT DISTRICT, CITY OF SAN DIEGO, STATE OF CALIFORNIA, WAS APPROVED BY THE CITY COUNCIL AT A REGULAR MEETING THEREOF, HELD ON THE \_\_\_\_ DAY OF \_\_\_\_\_, 2006, BY ITS RESOLUTION NO. \_\_\_\_\_.

ELIZABETH MALAND, CITY CLERK  
CITY OF SAN DIEGO  
STATE OF CALIFORNIA

AN ASSESSMENT WAS LEVIED BY THE CITY COUNCIL OF THE CITY OF SAN DIEGO ON THE LOTS, PIECES, AND PARCELS OF LAND SHOWN ON THIS ASSESSMENT DIAGRAM, SAID ASSESSMENT WAS LEVIED ON THE \_\_\_\_ DAY OF \_\_\_\_\_, 2006; SAID ASSESSMENT DIAGRAM AND THE ASSESSMENT ROLL WERE RECORDED IN THE OFFICE OF THE SUPERINTENDENT OF STREETS OF THE CITY OF SAN DIEGO, STATE OF CALIFORNIA ON THE \_\_\_\_ DAY OF \_\_\_\_\_, 2006. REFERENCE IS MADE TO THE ASSESSMENT ROLL RECORDED IN THE OFFICE OF THE SUPERINTENDENT OF STREETS FOR THE EXACT AMOUNT OF EACH ASSESSMENT LEVIED AGAINST EACH PARCEL OF LAND SHOWN ON THIS ASSESSMENT DIAGRAM.

**LEGEND:**

- District Boundary
- - - Zone Boundary
- Parcel Line

NOTE:  
FOR A DETAILED DESCRIPTION OF THE LINES AND DIMENSIONS OF LOTS OR PARCELS SHOWN ON THIS MAP, REFER TO THE COUNTY ASSESSOR'S MAPS WHICH SHALL GOVERN WITH RESPECT TO ALL DETAILS CONCERNING THE LINES AND DIMENSIONS OF SUCH LOTS OR PARCELS.

REFER TO THE ENGINEER'S REPORT AND REFERENCED DOCUMENTS, INCORPORATED HEREIN BY REFERENCE, FOR LOCATION AND TYPE OF IMPROVEMENTS.



CITY OF  
SAN DIEGO

# BLACK MOUNTAIN RANCH NORTH MAINTENANCE ASSESSMENT DISTRICT

W.O.

DATE: MAR 2006

REVS:

# **EXHIBIT B**

# EXHIBIT B

**Park and Recreation Department - Open Space Division  
Maintenance Assessment Districts Program  
Summary of Fiscal Year 2015 (07-01-14 to 06-30-15) Budget**

**Black Mountain Ranch North Maintenance Assessment District  
Fund 200089**

	FY 2013 Unaudited Actuals	FY 2014 Estimate	FY 2015 Proposed
<b><u>District Expenses</u></b>			
Street Division Maintenance Charges	\$ -	\$ 25,000.00	\$ 27,500.00
Electrician/Lighting Inspector	\$ -	\$ 33,750.00	\$ 37,125.00
Special Districts Administration	\$ 9,998.00	\$ 9,998.00	\$ 10,998.00
Vehicle Usage & Assignment	\$ -	\$ -	\$ 777.00
.10 FTE Grounds Maintenance Manager - Contract Administrator (Total Labor & Fringe)	\$ -	\$ -	\$ 11,577.00
<b>Subtotal Supplies and Services</b>	<b>\$ 9,998.00</b>	<b>\$ 68,748.00</b>	<b>\$ 87,977.00</b>
<b>Utilities:</b> Energy - Special District Street Lighting	\$ -	\$ -	\$ -
<b>Subtotal Utilities</b>	<b>\$ 9,998.00</b>	<b>\$ 68,748.00</b>	<b>\$ 87,977.00</b>
<b>TOTAL EXPENSE</b>	<b>\$ 9,998.00</b>	<b>\$ 68,748.00</b>	<b>\$ 87,977.00</b>
<b><u>District Revenues</u></b>			
Special Assessments	\$ 129.38	\$ -	\$ -
Interest Earnings	\$ 4,056.36	\$ 3,900.00	\$ 3,100.00
City Contributions			
General Fund – General Benefit Offset	\$ -	\$ -	\$ 1,055.72
Street Light Damage - Camino Del Sur: File No. 63300/Badillo	\$ 3,497.55	\$ -	\$ -
<b>TOTAL REVENUE</b>	<b>\$ 7,683.29</b>	<b>\$ 3,900.00</b>	<b>\$ 4,155.72</b>
<b><u>District Reserves</u></b>			
<b>Beginning Fund Balance</b>	\$ 716,372.56	\$ 712,301.33	\$ 647,453.33
Change in Fund Balance	\$ (4,071.23)	\$ (64,848.00)	\$ (83,821.28)
<b>Year End Operating Reserves</b>	<b>\$ 712,301.33</b>	<b>\$ 647,453.33</b>	<b>\$ 563,632.05</b>

# **EXHIBIT C**

**ASSESSMENT ENGINEER'S REPORT**  
**ASSESSMENT ROLL**

The undersigned, pursuant to the "Maintenance Assessment Districts Ordinance" (Division 2, Article 5, Chapter VI beginning at Section 65.0201 of the San Diego Municipal Code), the "Landscaping and Lighting Act of 1972" (Part 2, Division 15 of the California Streets and Highways Code), applicable provisions of "Proposition 218" (Article XIII D of the California Constitution), and the "Proposition 218 Omnibus Implementation Act" (California Senate Bill 919) (the aforementioned provisions are hereinafter referred to collectively as "Assessment Law"), does hereby submit the following:

1. Pursuant to the provisions of Assessment Law and the Resolution of Intention, we have assessed the costs and expenses of the works of improvement (maintenance) to be performed in the Assessment District upon the parcels of land in the Assessment District benefited thereby in direct proportion and relation to the estimated benefits to be received by each of said parcels. For particulars as to the identification of said parcels, reference is made to the Boundary Map & Assessment Diagram on file in the Maintenance Assessment Districts Section of the Park and Recreation Department of the City of San Diego. A copy of the Boundary Map is included in the Assessment Engineer's Report as **Exhibit A**.
2. The Assessment Diagram included in this report shows the Assessment District, as well as the boundaries and dimensions of the respective parcels and subdivisions of land within the Assessment District, the same as existed at the time of the passage of the Resolution of Intention, each of which subdivisions of land or parcels or lots respectively have been given a separate number upon the Assessment Diagram and in the Assessment Roll (**Exhibit C**).
3. By virtue of the authority contained in said Assessment Law, and by further direction and order of the legislative body, we hereby make the following assessment to cover the costs and expenses of the works of improvement (maintenance) for the Assessment District based on the costs and expenses as set forth in the Assessment Engineer's Report.

For particulars as to the individual assessments and their descriptions, reference is made to the Assessment Roll (**Exhibit C**) attached hereto.

DATED: June 13, 2014

EFS ENGINEERING, INC.



By: Eugene F. Shank  
Eugene F. Shank, PE C 52792

By: Sharon F. Risse  
Sharon F. Risse



**EXHIBIT C - Assessment Roll (Fiscal Year 2015)**  
**Black Mountain Ranch North Maintenance Assessment District**

Parcel Number	Acres/ Units <sup>(1)</sup>	Land Use Code <sup>(2)</sup>	Zone	Land Use Factor <sup>(2)</sup>	Total EBUs	Unit Cost (\$/EUBU)	FY 2015 (3) Assessment	Owner Name
267 150 07 00	2.52	STR	A	0.00	0.00	\$0.00	\$0.00	Black Mountain Ranch L L C
267 150 13 00	7.17	OSP	A	0.00	0.00	\$0.00	\$0.00	Black Mountain Ranch L L C
267 150 26 00	0.68	UTL	A	3.00	2.04	\$0.00	\$0.00	City Of San Diego
267 150 30 00	65.46	OSP	A	0.00	0.00	\$0.00	\$0.00	Black Mountain Ranch L L C
267 150 32 00	0.05	OSP	C	0.00	0.00	\$0.00	\$0.00	Black Mountain Ranch L L C
267 150 33 00	19.30	COM	A	45.00	868.50	\$0.00	\$0.00	Spic Del Sur L L C
267 150 34 00	19.12	HTL	A	15.00	286.80	\$0.00	\$0.00	Spic Del Sur L L C
267 150 35 00	286.63	GLF	A	0.80	229.30	\$0.00	\$0.00	Black Mountain Ranch L L C
267 231 01 00	1.00	SFD	D	1.00	1.00	\$0.00	\$0.00	Dohring Arjay&Leeann
267 231 02 00	1.00	SFD	D	1.00	1.00	\$0.00	\$0.00	Wallace Paul A&Shelley L
267 231 03 00	1.00	SFD	D	1.00	1.00	\$0.00	\$0.00	Kotta Kishore K&Devaki Uma
267 231 04 00	1.00	SFD	D	1.00	1.00	\$0.00	\$0.00	Shanmugam Sengoutouvane&Veerasamy Kavitha
267 231 05 00	1.00	SFD	D	1.00	1.00	\$0.00	\$0.00	Spelta John J&Claire Y
267 231 06 00	1.00	SFD	D	1.00	1.00	\$0.00	\$0.00	Lee Bryan
267 231 07 00	1.00	SFD	D	1.00	1.00	\$0.00	\$0.00	Nelson Robert L Jr&Rhea R
267 231 08 00	1.00	SFD	D	1.00	1.00	\$0.00	\$0.00	Smurlo Daniel J&Albana
267 231 09 00	1.00	SFD	D	1.00	1.00	\$0.00	\$0.00	Escobedo Javier&Dena R
267 231 10 01	1.00	SFD	D	1.00	1.00	\$0.00	\$0.00	Latourette Richard E&Tramblie-Lataurette Sherrie
267 231 10 02	1.00	SFD	D	1.00	1.00	\$0.00	\$0.00	Itakura Nobuyasu&Pham Mai Thi
267 231 11 01	1.00	SFD	D	1.00	1.00	\$0.00	\$0.00	Ding Ruhao Victor&Chen Zheng Zoe
267 231 11 02	1.00	SFD	D	1.00	1.00	\$0.00	\$0.00	Laratta Vincent G&Dione P
267 231 12 01	1.00	SFD	D	1.00	1.00	\$0.00	\$0.00	Ochs Andrus B
267 231 12 02	1.00	SFD	D	1.00	1.00	\$0.00	\$0.00	Challagulla Ravikanth&Samala Abhigna
267 231 13 01	1.00	SFD	D	1.00	1.00	\$0.00	\$0.00	Montanari Michael S
267 231 13 02	1.00	SFD	D	1.00	1.00	\$0.00	\$0.00	Becker Gregory F&Pamela J
267 231 14 01	1.00	SFD	D	1.00	1.00	\$0.00	\$0.00	Reist Troy K&Veronica L
267 231 14 02	1.00	SFD	D	1.00	1.00	\$0.00	\$0.00	Cassel Jordan&Erica L
267 231 15 01	1.00	SFD	D	1.00	1.00	\$0.00	\$0.00	Shin John H&Rayna N
267 231 15 02	1.00	SFD	D	1.00	1.00	\$0.00	\$0.00	Toman Jeremy P&Jeeyon J
267 231 16 01	1.00	SFD	D	1.00	1.00	\$0.00	\$0.00	Langford Living Trust 07-08-13
267 231 16 02	1.00	SFD	D	1.00	1.00	\$0.00	\$0.00	Darugar Mustafa&Chandio Aliya
267 231 17 00	0.28	STR	D	0.00	0.00	\$0.00	\$0.00	Standard Pacific Corp
267 231 18 00	1.00	SFD	D	1.00	1.00	\$0.00	\$0.00	Power Michael E&Megan
267 231 19 00	1.00	SFD	D	1.00	1.00	\$0.00	\$0.00	Enyedi Matthew K&Lindsay E
267 231 20 00	1.00	SFD	D	1.00	1.00	\$0.00	\$0.00	Srinivasan Mayur&Bhandarkar Saritha
267 231 21 00	1.00	SFD	D	1.00	1.00	\$0.00	\$0.00	Young Jerome A&Melissa M
267 231 22 00	1.00	SFD	D	1.00	1.00	\$0.00	\$0.00	Warren Robert O&Bethany D
267 231 23 00	1.00	SFD	D	1.00	1.00	\$0.00	\$0.00	Kumar Atin&Bhatnagar Meghna
267 231 24 00	1.00	SFD	D	1.00	1.00	\$0.00	\$0.00	Patrawala Family Trust 04-23-07
267 231 25 00	1.00	SFD	D	1.00	1.00	\$0.00	\$0.00	Rubio Jose A&Ana I
267 231 26 00	1.00	SFD	D	1.00	1.00	\$0.00	\$0.00	Coronel Edwin&Karoline
267 231 27 00	1.00	SFD	D	1.00	1.00	\$0.00	\$0.00	Meeks Brandon M&Jennifer S
267 231 28 00	1.00	SFD	D	1.00	1.00	\$0.00	\$0.00	Kumar Praveen&Ratna
267 231 29 00	1.00	SFD	D	1.00	1.00	\$0.00	\$0.00	Gilding Jerome A&Trina L
267 231 30 00	1.00	SFD	D	1.00	1.00	\$0.00	\$0.00	Levy Brian C
267 231 31 00	1.00	SFD	D	1.00	1.00	\$0.00	\$0.00	Painter Tyler&Jessica 2010 Trust 09-17-10
267 231 32 00	1.00	SFD	D	1.00	1.00	\$0.00	\$0.00	Sadagopan Vijaykrishna&Ravichandran Divya
267 231 33 00	1.00	SFD	D	1.00	1.00	\$0.00	\$0.00	Le Thuy D&Le-Pham Van T
267 231 34 00	1.00	SFD	D	1.00	1.00	\$0.00	\$0.00	Kerrin Stephen M&Erica M
267 231 35 00	1.00	SFD	D	1.00	1.00	\$0.00	\$0.00	Puorro Gerard E Jr&Elizabeth T
267 231 36 00	1.00	SFD	D	1.00	1.00	\$0.00	\$0.00	Nguyen Van Tuyet
267 231 37 00	1.00	SFD	D	1.00	1.00	\$0.00	\$0.00	Patibandla Suresh B&Sowmya S
267 231 38 00	1.00	SFD	D	1.00	1.00	\$0.00	\$0.00	Walther Family Trust 08-08-11
267 231 39 00	1.00	SFD	D	1.00	1.00	\$0.00	\$0.00	Chang Su Hwau&Sami Y
267 231 40 00	1.00	SFD	D	1.00	1.00	\$0.00	\$0.00	McGibbons Jennifer M
267 231 41 00	1.00	SFD	D	1.00	1.00	\$0.00	\$0.00	Nabbi Family Trust 09-12-13
267 231 42 00	1.00	SFD	D	1.00	1.00	\$0.00	\$0.00	Tagulao Michael T
267 231 43 00	1.00	SFD	D	1.00	1.00	\$0.00	\$0.00	Massire Christian
267 231 44 00	1.00	SFD	D	1.00	1.00	\$0.00	\$0.00	Turner David W&Rosemary E

**EXHIBIT C - Assessment Roll (Fiscal Year 2015)**  
**Black Mountain Ranch North Maintenance Assessment District**

Parcel Number	Acres/ Units <sup>(1)</sup>	Land Use Code <sup>(2)</sup>	Zone	Land Use Factor <sup>(2)</sup>	Total EBUs	Unit Cost (\$/EUBU)	FY 2015 (3) Assessment	Owner Name
267 231 45 00	1.00	SFD	D	1.00	1.00	\$0.00	\$0.00	Jones Wilbur G&Galli-Tognota Vittoria
267 231 46 00	1.00	SFD	D	1.00	1.00	\$0.00	\$0.00	Pun Ka Shun Carson&Wong Mong Chit
267 231 47 00	1.00	SFD	D	1.00	1.00	\$0.00	\$0.00	Dahl Daniel J&Tesa T
267 231 48 00	1.00	SFD	D	1.00	1.00	\$0.00	\$0.00	Jagoliner Charles E&Rachelle B
267 231 49 00	1.00	SFD	D	1.00	1.00	\$0.00	\$0.00	Sarralde Juan P
267 231 50 00	1.00	SFD	D	1.00	1.00	\$0.00	\$0.00	Dao Thao
267 231 51 00	1.00	SFD	D	1.00	1.00	\$0.00	\$0.00	Wong Michael H&Lee Mimi A
267 231 52 00	1.00	SFD	D	1.00	1.00	\$0.00	\$0.00	Ashton Matthew J&Kimberly W
267 231 53 00	1.00	SFD	D	1.00	1.00	\$0.00	\$0.00	Akula Krishna P
267 231 54 00	0.02	OSP	D	0.00	0.00	\$0.00	\$0.00	Del Sur Community Assn
267 231 55 00	0.18	STR	D	0.00	0.00	\$0.00	\$0.00	Del Sur Community Assn
267 231 56 00	0.02	OSP	D	0.00	0.00	\$0.00	\$0.00	Del Sur Community Assn
267 231 57 00	0.97	PKU	D	0.50	0.49	\$0.00	\$0.00	Black Mountain Ranch L L C
267 232 01 00	1.00	SFD	D	1.00	1.00	\$0.00	\$0.00	Burnett Nathan J&Erika L
267 232 02 00	1.00	SFD	D	1.00	1.00	\$0.00	\$0.00	Gatan Marcos C Iii&Victoria D
267 232 03 00	1.00	SFD	D	1.00	1.00	\$0.00	\$0.00	Okeefe Thomas P Iii&Shalane
267 232 04 00	1.00	SFD	D	1.00	1.00	\$0.00	\$0.00	Chakravarthula Prashanth&Ganjam Anitha
267 232 05 00	1.00	SFD	D	1.00	1.00	\$0.00	\$0.00	Mager Michael J&Aimee L
267 232 06 00	1.00	SFD	D	1.00	1.00	\$0.00	\$0.00	Dennison Family 2003 Trust 06-26-03
267 232 07 00	1.00	SFD	D	1.00	1.00	\$0.00	\$0.00	Styles Andrew G&Masako K
267 232 08 00	1.00	SFD	D	1.00	1.00	\$0.00	\$0.00	Charoen Don&Erin J
267 232 09 00	1.00	SFD	D	1.00	1.00	\$0.00	\$0.00	Endicott Eric&Heather
267 232 10 00	1.00	SFD	D	1.00	1.00	\$0.00	\$0.00	Light Dion W&Elizabeth C
267 232 11 00	1.00	SFD	D	1.00	1.00	\$0.00	\$0.00	Connelly Jeffy J Sr&Fabiana S
267 232 12 00	1.00	SFD	D	1.00	1.00	\$0.00	\$0.00	Arora Monica
267 232 13 00	1.00	SFD	D	1.00	1.00	\$0.00	\$0.00	Binn Family Trust 05-08-97
267 232 14 00	1.00	SFD	D	1.00	1.00	\$0.00	\$0.00	Weg Zachary&Laura Family 2013 Trust
267 232 15 00	1.00	SFD	D	1.00	1.00	\$0.00	\$0.00	Desai Preyas&Sheth Bishwa
267 232 16 00	1.00	SFD	D	1.00	1.00	\$0.00	\$0.00	Pinderski Eric&Soukahn
267 232 17 00	1.00	SFD	D	1.00	1.00	\$0.00	\$0.00	Castano Nereemiah&Joy Family 2013 Trust
267 232 18 00	1.00	SFD	D	1.00	1.00	\$0.00	\$0.00	Rajakumar Chandramohan&Gaffoor Sharifa B
267 232 19 00	1.00	SFD	D	1.00	1.00	\$0.00	\$0.00	Vartak Aniket Arun&Kalra Ashmeet
267 232 20 00	1.00	SFD	D	1.00	1.00	\$0.00	\$0.00	Bach Minh&Nguyen Cheryl
267 232 21 00	1.00	SFD	D	1.00	1.00	\$0.00	\$0.00	Maeda Yu G&Summer F
267 232 22 00	1.00	SFD	D	1.00	1.00	\$0.00	\$0.00	Federhart Shelley A
267 232 23 00	1.00	SFD	D	1.00	1.00	\$0.00	\$0.00	Suguitan Mark L&Julie K
267 232 24 00	1.00	SFD	D	1.00	1.00	\$0.00	\$0.00	Roux John A&Sabrina K
267 232 25 00	1.00	SFD	D	1.00	1.00	\$0.00	\$0.00	Siedeman G D Trust No 3 06-30-11
267 232 26 00	1.00	SFD	D	1.00	1.00	\$0.00	\$0.00	Fonss Christian P Jr Trust 11-06-09
267 232 27 00	1.00	SFD	D	1.00	1.00	\$0.00	\$0.00	Rupp Ted P&Karla C
267 232 28 00	1.00	SFD	D	1.00	1.00	\$0.00	\$0.00	Payumo Elaine
267 232 29 00	1.00	SFD	D	1.00	1.00	\$0.00	\$0.00	Sooy Kevin A
267 232 30 00	1.00	SFD	D	1.00	1.00	\$0.00	\$0.00	Giampaoli Justin&Mirabelle
267 232 31 00	1.00	SFD	D	1.00	1.00	\$0.00	\$0.00	Johnson Jeffrey F&Lisa B
267 232 32 00	1.00	SFD	D	1.00	1.00	\$0.00	\$0.00	Hart Kenneth P&Rachel M
267 232 33 00	1.00	SFD	D	1.00	1.00	\$0.00	\$0.00	Monenschein Holger&Stephanie
267 232 34 00	1.00	SFD	D	1.00	1.00	\$0.00	\$0.00	Mogul Homyar C&Pervin
267 232 35 00	1.00	SFD	D	1.00	1.00	\$0.00	\$0.00	Ramirez Alfredo R&Courtney M
267 232 36 00	1.00	SFD	D	1.00	1.00	\$0.00	\$0.00	Hassanzadeh Basir&Parwana
267 232 37 00	1.00	SFD	D	1.00	1.00	\$0.00	\$0.00	Aroonlap Paiboon&Juthamas T
267 232 38 00	1.00	SFD	D	1.00	1.00	\$0.00	\$0.00	Faulk Maria C
267 232 39 00	1.00	SFD	D	1.00	1.00	\$0.00	\$0.00	Santos Radino F&Jean
267 232 40 00	1.00	SFD	D	1.00	1.00	\$0.00	\$0.00	Kline Brent C&Kelly K
267 232 41 00	1.00	SFD	D	1.00	1.00	\$0.00	\$0.00	Dennison Family 2003 Trust 06-26-03
267 232 42 00	1.00	SFD	D	1.00	1.00	\$0.00	\$0.00	Peysen Gregory R&Whitney S
267 232 43 00	1.00	SFD	D	1.00	1.00	\$0.00	\$0.00	Michtchenko Rouslan V&Dmitrieva Olga K
267 232 44 00	1.00	SFD	D	1.00	1.00	\$0.00	\$0.00	Lennick Paul&Nariman
267 232 45 00	1.00	SFD	D	1.00	1.00	\$0.00	\$0.00	Milliron John R&Christine N
267 232 46 00	1.00	SFD	D	1.00	1.00	\$0.00	\$0.00	Cheng Wei&Wang Wei

**EXHIBIT C - Assessment Roll (Fiscal Year 2015)**  
**Black Mountain Ranch North Maintenance Assessment District**

Parcel Number	Acres/ Units <sup>(1)</sup>	Land Use Code <sup>(2)</sup>	Zone	Land Use Factor <sup>(2)</sup>	Total EBUs	Unit Cost (\$/EUBU)	FY 2015 (3) Assessment	Owner Name
267 232 47 00	1.00	SFD	D	1.00	1.00	\$0.00	\$0.00	Murphy Thomas&Patricia Trust 12-03-01
267 232 48 00	1.00	SFD	D	1.00	1.00	\$0.00	\$0.00	Milner Christy
267 232 49 00	1.00	SFD	D	1.00	1.00	\$0.00	\$0.00	Brittain Grant
267 232 50 00	1.00	SFD	D	1.00	1.00	\$0.00	\$0.00	Frost Andrew J&Allegra D
267 232 51 00	1.00	SFD	D	1.00	1.00	\$0.00	\$0.00	Makely Christopher J
267 232 52 00	1.00	SFD	D	1.00	1.00	\$0.00	\$0.00	Ladow Kenneth G&Britney C
267 232 53 00	1.00	SFD	D	1.00	1.00	\$0.00	\$0.00	Childs Tracie L
267 232 54 00	1.00	SFD	D	1.00	1.00	\$0.00	\$0.00	Hansen Brian B&Kara B
267 232 55 00	1.00	SFD	D	1.00	1.00	\$0.00	\$0.00	Czerniak Chad&Laetitia
267 232 56 00	1.00	SFD	D	1.00	1.00	\$0.00	\$0.00	Cheng Wesley
267 232 57 00	1.00	SFD	D	1.00	1.00	\$0.00	\$0.00	Khurana Varun&Atica
267 232 58 00	1.00	SFD	D	1.00	1.00	\$0.00	\$0.00	Hamatanga Siphon Fred&Petrina M
267 232 59 00	1.00	SFD	D	1.00	1.00	\$0.00	\$0.00	Sutter Cameron&Nedic Ivana
267 232 60 00	1.00	SFD	D	1.00	1.00	\$0.00	\$0.00	Diraimo Carol A
267 232 61 00	1.00	SFD	D	1.00	1.00	\$0.00	\$0.00	Lee Ho Sang&Le Soon Ae
267 232 62 00	1.00	SFD	D	1.00	1.00	\$0.00	\$0.00	Ouk Jonathan Chan&Shu Chi Liu
267 232 63 00	1.00	SFD	D	1.00	1.00	\$0.00	\$0.00	Radecic Matthew&Chelsea
267 232 64 00	1.00	SFD	D	1.00	1.00	\$0.00	\$0.00	Filoteo Manuel G&Rufina S
267 232 65 00	1.00	SFD	D	1.00	1.00	\$0.00	\$0.00	Ramkumar Vasanth K&Vandhana Smruthi
267 232 66 00	1.00	SFD	D	1.00	1.00	\$0.00	\$0.00	Efe Baris&Neslihan
267 232 67 00	1.00	SFD	D	1.00	1.00	\$0.00	\$0.00	Pei James
267 232 68 00	1.00	SFD	D	1.00	1.00	\$0.00	\$0.00	Shen Zancong&Yao Hongtao
267 232 69 00	1.00	SFD	D	1.00	1.00	\$0.00	\$0.00	Patrick William J&Kristin A
267 232 70 00	1.00	SFD	D	1.00	1.00	\$0.00	\$0.00	Picklesimer Francis L&Carey E
267 232 71 00	1.00	SFD	D	1.00	1.00	\$0.00	\$0.00	Chaudhary Sameer&Ruchika
267 232 72 00	1.00	SFD	D	1.00	1.00	\$0.00	\$0.00	Rubino Anthony&Rebecca M
267 232 73 00	1.00	SFD	D	1.00	1.00	\$0.00	\$0.00	Allen Anthony L
267 232 74 00	1.00	SFD	D	1.00	1.00	\$0.00	\$0.00	Cleveland Amy K
267 232 75 00	1.00	SFD	D	1.00	1.00	\$0.00	\$0.00	Purdie Bruce C
267 232 76 00	1.00	SFD	D	1.00	1.00	\$0.00	\$0.00	Pandurangam Venkatesh B C&Canchi Kavitha
267 232 77 00	1.00	SFD	D	1.00	1.00	\$0.00	\$0.00	Ou Victor&Maria L
267 232 78 00	1.00	SFD	D	1.00	1.00	\$0.00	\$0.00	Byres David B&Toshie I
267 232 79 00	1.00	SFD	D	1.00	1.00	\$0.00	\$0.00	Campbell John V
267 232 80 00	1.00	SFD	D	1.00	1.00	\$0.00	\$0.00	Padilla Jeffrey&Christine M
267 232 81 00	1.00	SFD	D	1.00	1.00	\$0.00	\$0.00	Gangapuram Jaipal&Reddygari Sreelakshmi
267 232 82 00	1.00	SFD	D	1.00	1.00	\$0.00	\$0.00	Chung Tony&Eileen
267 232 83 00	1.00	SFD	D	1.00	1.00	\$0.00	\$0.00	Juenger Lyle D&Susan E
267 232 84 00	1.00	SFD	D	1.00	1.00	\$0.00	\$0.00	Lee Austin&Kara
267 232 85 00	0.23	STR	D	0.00	0.00	\$0.00	\$0.00	Del Sur Community Assn
267 232 86 00	0.24	STR	D	0.00	0.00	\$0.00	\$0.00	Black Mountain Ranch L L C
267 232 87 00	0.07	STR	D	0.00	0.00	\$0.00	\$0.00	Del Sur Community Assn
267 232 88 00	0.07	STR	D	0.00	0.00	\$0.00	\$0.00	Del Sur Community Assn
267 232 89 00	0.34	STR	D	0.00	0.00	\$0.00	\$0.00	Black Mountain Ranch L L C
267 232 90 00	0.69	OSP	D	0.00	0.00	\$0.00	\$0.00	Black Mountain Ranch L L C
267 232 91 00	0.29	OSP	D	0.00	0.00	\$0.00	\$0.00	Black Mountain Ranch L L C
267 240 01 00	1.00	SFD	D	1.00	1.00	\$0.00	\$0.00	McLoughlin Trust 09-16-10
267 240 02 00	1.00	SFD	D	1.00	1.00	\$0.00	\$0.00	Miller Blake D&Jeryl A Revocable Trust 04-12-99
267 240 03 00	1.00	SFD	D	1.00	1.00	\$0.00	\$0.00	Lynn J Peter&Vitale Lisa D
267 240 04 00	1.00	SFD	D	1.00	1.00	\$0.00	\$0.00	Nguyen Hoang T&Bichvan T
267 240 05 00	1.00	SFD	D	1.00	1.00	\$0.00	\$0.00	Duck Kevin M&Jamie M
267 240 06 00	1.00	SFD	D	1.00	1.00	\$0.00	\$0.00	Pham Megan Kim Hong
267 240 07 00	1.00	SFD	D	1.00	1.00	\$0.00	\$0.00	Chi Peter M&Sarah M
267 240 08 00	1.00	SFD	D	1.00	1.00	\$0.00	\$0.00	Pahler Ryan&Kathy
267 240 09 00	1.00	SFD	D	1.00	1.00	\$0.00	\$0.00	Rhoades Jason
267 240 10 00	1.00	SFD	D	1.00	1.00	\$0.00	\$0.00	Garceau Gregory S&Jennifer A
267 240 11 00	1.00	SFD	D	1.00	1.00	\$0.00	\$0.00	Younghouse Mark E&Michelle L
267 240 12 00	1.00	SFD	D	1.00	1.00	\$0.00	\$0.00	Sterner Mike&Dina
267 240 13 00	1.00	SFD	D	1.00	1.00	\$0.00	\$0.00	Crossland Richard&Diferdinando Dana M
267 240 14 00	1.00	SFD	D	1.00	1.00	\$0.00	\$0.00	Segal Alexander&Dina B

**EXHIBIT C - Assessment Roll (Fiscal Year 2015)**  
**Black Mountain Ranch North Maintenance Assessment District**

Parcel Number	Acres/ Units <sup>(1)</sup>	Land Use Code <sup>(2)</sup>	Zone	Land Use Factor <sup>(2)</sup>	Total EBUs	Unit Cost (\$/EUBU)	FY 2015 (3) Assessment	Owner Name
267 240 15 00	1.00	SFD	D	1.00	1.00	\$0.00	\$0.00	Zhu Genjiang&Gao Li
267 240 16 00	1.00	SFD	D	1.00	1.00	\$0.00	\$0.00	Feist Raymond E
267 240 17 00	1.00	SFD	D	1.00	1.00	\$0.00	\$0.00	Alecco L L C
267 240 18 00	1.00	SFD	D	1.00	1.00	\$0.00	\$0.00	Smith Franklin Dean&Catherine Ann Preciso
267 240 19 00	1.00	SFD	D	1.00	1.00	\$0.00	\$0.00	Pham Khai&Truong Tram Q
267 240 20 00	1.00	SFD	D	1.00	1.00	\$0.00	\$0.00	Wisniewski Trust 09-01-10
267 240 21 00	1.00	SFD	D	1.00	1.00	\$0.00	\$0.00	Himelstein Family Trust 08-15-05
267 240 22 00	1.00	SFD	D	1.00	1.00	\$0.00	\$0.00	Fernandez-Lim Paz
267 240 23 00	1.00	SFD	D	1.00	1.00	\$0.00	\$0.00	Klotzkin Philip A&Jennifer L
267 240 24 00	1.00	SFD	D	1.00	1.00	\$0.00	\$0.00	Borst Family Trust 12-10-13
267 240 25 00	1.00	SFD	D	1.00	1.00	\$0.00	\$0.00	Mccrary Ryan P&Dana S
267 240 26 00	1.00	SFD	D	1.00	1.00	\$0.00	\$0.00	Bustamante Living Trust 08-26-11
267 240 27 00	1.00	SFD	D	1.00	1.00	\$0.00	\$0.00	Kloberdanz James E&Danielle Y 2009 Trust 05-19-09
267 240 28 00	1.00	SFD	D	1.00	1.00	\$0.00	\$0.00	Sheils Brigette P
267 240 29 00	1.00	SFD	D	1.00	1.00	\$0.00	\$0.00	Hawkins David&Vidya
267 240 30 00	1.00	SFD	D	1.00	1.00	\$0.00	\$0.00	Nagaraj Sundaram&Prabhakar Aparna
267 240 31 00	1.00	SFD	D	1.00	1.00	\$0.00	\$0.00	Chen Charles T&Serena W
267 240 32 00	1.00	SFD	D	1.00	1.00	\$0.00	\$0.00	Gilmore Lucas&Stewart Amy
267 240 33 00	1.00	SFD	D	1.00	1.00	\$0.00	\$0.00	Packer Harvey L&Cheryl A
267 240 34 00	1.00	SFD	D	1.00	1.00	\$0.00	\$0.00	Henderson Chester&Melissa
267 240 35 00	1.00	SFD	D	1.00	1.00	\$0.00	\$0.00	Vondyl Trust 02-11-04
267 240 36 00	1.00	SFD	D	1.00	1.00	\$0.00	\$0.00	Tran Chinh N&Thy H
267 240 37 00	1.00	SFD	D	1.00	1.00	\$0.00	\$0.00	Mcneal Trust 04-26-10
267 240 38 00	1.00	SFD	D	1.00	1.00	\$0.00	\$0.00	Hsu Cathy 2003 Trust 06-26-03
267 240 39 00	1.00	SFD	D	1.00	1.00	\$0.00	\$0.00	Hartung Nicole A&Robert M
267 240 40 00	1.00	SFD	D	1.00	1.00	\$0.00	\$0.00	Siwabessy Randolph P&Mangindin Angelica P Revocable 2013 Tr
267 240 41 00	1.00	SFD	D	1.00	1.00	\$0.00	\$0.00	Mcnulty David J&Glenn-Mcnulty Jenny L
267 240 42 00	0.20	STR	D	0.00	0.00	\$0.00	\$0.00	Del Sur Community Assn
267 240 43 00	0.20	STR	D	0.00	0.00	\$0.00	\$0.00	Del Sur Community Assn
267 240 44 00	0.14	STR	D	0.00	0.00	\$0.00	\$0.00	Del Sur Community Assn
267 241 01 00	1.00	SFD	D	1.00	1.00	\$0.00	\$0.00	Pinderski Eric&Soukahn
267 241 02 00	1.00	SFD	D	1.00	1.00	\$0.00	\$0.00	Aquino Mona V G
267 241 03 00	1.00	SFD	D	1.00	1.00	\$0.00	\$0.00	Barber Family 1985 Trust 10-03-85
267 241 04 00	1.00	SFD	D	1.00	1.00	\$0.00	\$0.00	Fullerton Timothy D&Szon Sabine C
267 241 05 00	1.00	SFD	D	1.00	1.00	\$0.00	\$0.00	Willard Richard S
267 241 06 00	1.00	SFD	D	1.00	1.00	\$0.00	\$0.00	Schoellerman John S&Manal M
267 241 07 00	1.00	SFD	D	1.00	1.00	\$0.00	\$0.00	Stratagem Investment Group L L C
267 241 08 00	1.00	SFD	D	1.00	1.00	\$0.00	\$0.00	Mahboubi Vafa&Yount Susan L
267 241 09 00	1.00	SFD	D	1.00	1.00	\$0.00	\$0.00	Rowbottom Moorjani Trust 08-08-11
267 241 10 00	1.00	SFD	D	1.00	1.00	\$0.00	\$0.00	Avedesian Family Trust 05-19-08
267 241 11 00	1.00	SFD	D	1.00	1.00	\$0.00	\$0.00	Diamond Living Trust 03-28-07
267 241 12 00	1.00	SFD	D	1.00	1.00	\$0.00	\$0.00	Weeks Joshua&Elizabeth
267 241 13 00	1.00	SFD	D	1.00	1.00	\$0.00	\$0.00	Manuel Caridad F
267 241 14 00	1.00	SFD	D	1.00	1.00	\$0.00	\$0.00	Zhou Wei&Xi Rong
267 241 15 00	1.00	SFD	D	1.00	1.00	\$0.00	\$0.00	Vaddula Ramakoti&Rajitha
267 241 16 00	1.00	SFD	D	1.00	1.00	\$0.00	\$0.00	Alexander Scott&Debbie
267 241 17 00	1.00	SFD	D	1.00	1.00	\$0.00	\$0.00	Pansky Kevin M&Jackson Vanessa
267 241 18 00	1.00	SFD	D	1.00	1.00	\$0.00	\$0.00	Domingo Family Trust 12-05-05
267 241 19 00	1.00	SFD	D	1.00	1.00	\$0.00	\$0.00	Do Jason Q&Ailoon H
267 241 20 00	1.00	SFD	D	1.00	1.00	\$0.00	\$0.00	Johnson Jeralyn Delia
267 241 21 00	1.00	SFD	D	1.00	1.00	\$0.00	\$0.00	Tarleton Robert E Jr&Susan F
267 241 22 00	1.00	SFD	D	1.00	1.00	\$0.00	\$0.00	Marshall Darren&Linda Revocable Family Trust 03-14-05
267 241 23 00	1.00	SFD	D	1.00	1.00	\$0.00	\$0.00	Roy Roland&Wendy Family 2008 Trust
267 241 24 00	1.00	SFD	D	1.00	1.00	\$0.00	\$0.00	Aoshima Revocable Living 2010 Trust 08-09-10
267 241 25 00	1.00	SFD	D	1.00	1.00	\$0.00	\$0.00	Shelton Jeffrey S
267 241 26 00	1.00	SFD	D	1.00	1.00	\$0.00	\$0.00	Kim Lae-Hoon&Lee Su Na
267 241 27 00	1.00	SFD	D	1.00	1.00	\$0.00	\$0.00	Ramos Tryna M
267 241 28 00	1.00	SFD	D	1.00	1.00	\$0.00	\$0.00	Svetina Marko&Tsurka Olena A
267 241 29 00	1.00	SFD	D	1.00	1.00	\$0.00	\$0.00	Munoz Jose

**EXHIBIT C - Assessment Roll (Fiscal Year 2015)**  
**Black Mountain Ranch North Maintenance Assessment District**

Parcel Number	Acres/ Units <sup>(1)</sup>	Land Use Code <sup>(2)</sup>	Zone	Land Use Factor <sup>(2)</sup>	Total EBUs	Unit Cost (\$/EUBU)	FY 2015 (3) Assessment	Owner Name
267 241 30 00	1.00	SFD	D	1.00	1.00	\$0.00	\$0.00	Trytek Susan E
267 241 31 00	1.00	SFD	D	1.00	1.00	\$0.00	\$0.00	Molocznik Trust 05-13-13
267 241 32 00	1.00	SFD	D	1.00	1.00	\$0.00	\$0.00	Gouvis Peter&Heather
267 241 33 00	1.00	SFD	D	1.00	1.00	\$0.00	\$0.00	Delonge Mary J Trust 11-16-02
267 241 34 00	1.00	SFD	D	1.00	1.00	\$0.00	\$0.00	Hewitt F&J Family Trust 11-21-90
267 241 35 00	1.00	SFD	D	1.00	1.00	\$0.00	\$0.00	Sundel Samuel&Martha
267 241 36 00	1.00	SFD	D	1.00	1.00	\$0.00	\$0.00	Chen Ricky Z
267 241 37 00	1.00	SFD	D	1.00	1.00	\$0.00	\$0.00	Hazlehurst Michael&Amy
267 241 38 00	1.00	SFD	D	1.00	1.00	\$0.00	\$0.00	Edrosolo Arnie J G&Rachel A F
267 241 39 00	1.00	SFD	D	1.00	1.00	\$0.00	\$0.00	Huang Jingyu&Li Dehua
267 241 40 00	1.00	SFD	D	1.00	1.00	\$0.00	\$0.00	Schneider Robert&Patricia Family Trust 06-15-05
267 241 41 00	1.00	SFD	D	1.00	1.00	\$0.00	\$0.00	Degradis William D&Monica
267 241 42 00	0.17	STR	D	0.00	0.00	\$0.00	\$0.00	Del Sur Community Association
267 241 43 00	0.26	STR	D	0.00	0.00	\$0.00	\$0.00	Del Sur Community Association
267 241 44 00	0.20	STR	D	0.00	0.00	\$0.00	\$0.00	Shea Homes Limited Partnership
267 250 01 00	1.00	SFD	D	1.00	1.00	\$0.00	\$0.00	Jaleel Gassan&Ranya Hasan Family Trust 11-08-07
267 250 02 00	1.00	SFD	D	1.00	1.00	\$0.00	\$0.00	Depaulo Audrey&Paulette Family Trust 12-15-07
267 250 03 00	1.00	SFD	D	1.00	1.00	\$0.00	\$0.00	Gruen Jonathan D&Christine R
267 250 04 00	1.00	SFD	D	1.00	1.00	\$0.00	\$0.00	Orosa Dennis R&Marie G
267 250 05 00	1.00	SFD	D	1.00	1.00	\$0.00	\$0.00	Niemela Jari&Allen Carolyn J
267 250 06 00	1.00	SFD	D	1.00	1.00	\$0.00	\$0.00	Mcguire John A&Theresa M
267 250 07 00	1.00	SFD	D	1.00	1.00	\$0.00	\$0.00	Duran Rodolfo H&Mendez Ranferis Y S
267 250 08 00	1.00	SFD	D	1.00	1.00	\$0.00	\$0.00	Anaya Rashida Trust 09-01-09
267 250 09 00	1.00	SFD	D	1.00	1.00	\$0.00	\$0.00	Yuguchi Karen M
267 250 10 00	1.00	SFD	D	1.00	1.00	\$0.00	\$0.00	Koo Seongjoon&Hyon K
267 250 11 00	1.00	SFD	D	1.00	1.00	\$0.00	\$0.00	Lombardo Joseph Family Trust 12-15-08
267 250 12 00	1.00	SFD	D	1.00	1.00	\$0.00	\$0.00	Calacsan Simeon V Jr
267 250 13 00	1.00	SFD	D	1.00	1.00	\$0.00	\$0.00	Shinn Kathryn P
267 250 14 00	1.00	SFD	D	1.00	1.00	\$0.00	\$0.00	Shewry Steven M&Judith M
267 250 15 00	1.00	SFD	D	1.00	1.00	\$0.00	\$0.00	Hunsaker Brent G
267 250 16 00	1.00	SFD	D	1.00	1.00	\$0.00	\$0.00	Chen Shou-Hsien&Wang Hsiao-Hsuan
267 250 17 00	1.00	SFD	D	1.00	1.00	\$0.00	\$0.00	Mushet Broc A&Shay B
267 250 18 00	1.00	SFD	D	1.00	1.00	\$0.00	\$0.00	Gray Charles L Jr&Judy A
267 250 19 00	1.00	SFD	D	1.00	1.00	\$0.00	\$0.00	Chinn Kevin E&Kendall L
267 250 20 00	1.00	SFD	D	1.00	1.00	\$0.00	\$0.00	Morse Revocable Living Trust 06-12-91
267 250 21 00	1.00	SFD	D	1.00	1.00	\$0.00	\$0.00	Hasbrook Daniel G&Patricia A
267 250 22 00	1.00	SFD	D	1.00	1.00	\$0.00	\$0.00	Riley Michael K&Faucher Heather C
267 250 23 00	1.00	SFD	D	1.00	1.00	\$0.00	\$0.00	Sanders Sean H&Christina A
267 250 24 00	1.00	SFD	D	1.00	1.00	\$0.00	\$0.00	Ferdowsmakan Robert&Shoae Noushin
267 250 25 00	1.00	SFD	D	1.00	1.00	\$0.00	\$0.00	Riggins Family Trust 04-09-09
267 250 26 00	1.00	SFD	D	1.00	1.00	\$0.00	\$0.00	Chung Hyukjune&Hwang Jungshim
267 250 27 00	1.00	SFD	D	1.00	1.00	\$0.00	\$0.00	Peterson Kevin&Francine
267 250 28 00	1.00	SFD	D	1.00	1.00	\$0.00	\$0.00	Sherr Karin K
267 250 29 00	1.00	SFD	D	1.00	1.00	\$0.00	\$0.00	Samhat Imad&Dika Malak E
267 250 30 00	0.02	OSP	D	0.00	0.00	\$0.00	\$0.00	Delsur Community Association
267 250 31 00	1.55	PKU	D	0.50	0.78	\$0.00	\$0.00	Del Sur Community Assn
267 270 08 00	204.00	MFR	F	0.70	142.80	\$0.00	\$0.00	C I C Fairbanks L P
267 270 10 00	6.33	OSP	F	0.00	0.00	\$0.00	\$0.00	Black Mountain Ranch L L C
267 270 10 00	3.77	OSP	G	0.00	0.00	\$0.00	\$0.00	Black Mountain Ranch L L C
267 270 11 00	1.50	UTL	A	3.00	4.50	\$0.00	\$0.00	San Diego Gas&Electric Co
267 270 12 00	1.20	UTL	A	3.00	3.60	\$0.00	\$0.00	San Diego Gas&Electric Co
267 270 13 00	1.50	STR	A	0.00	0.00	\$0.00	\$0.00	Black Mountain Ranch L L C
267 280 01 00	1.00	SFD	D	1.00	1.00	\$0.00	\$0.00	Lowenthal&Tanimoto Family Trust 3 04-03-06
267 280 02 00	1.00	SFD	D	1.00	1.00	\$0.00	\$0.00	Guerra Family Trust 12-17-13
267 280 03 00	1.00	SFD	D	1.00	1.00	\$0.00	\$0.00	Lowenthal&Tanimoto Family Trust 3 04-03-06
267 280 04 00	1.00	SFD	D	1.00	1.00	\$0.00	\$0.00	Gagne Gary R&Ramos Blanca S
267 280 05 00	1.00	SFD	D	1.00	1.00	\$0.00	\$0.00	J J S C L M Revocable Trust 02-22-08
267 280 06 00	1.00	SFD	D	1.00	1.00	\$0.00	\$0.00	Naval Joseph N&Gonzales Laarni E
267 280 07 00	1.00	SFD	D	1.00	1.00	\$0.00	\$0.00	Hill Bryan S&Nicole

**EXHIBIT C - Assessment Roll (Fiscal Year 2015)**  
**Black Mountain Ranch North Maintenance Assessment District**

Parcel Number	Acres/ Units <sup>(1)</sup>	Land Use Code <sup>(2)</sup>	Zone	Land Use Factor <sup>(2)</sup>	Total EBUs	Unit Cost (\$/Ebu)	FY 2015 (3) Assessment	Owner Name
267 280 08 00	1.00	SFD	D	1.00	1.00	\$0.00	\$0.00	Benavidez Arturo&Adela
267 280 09 00	1.00	SFD	D	1.00	1.00	\$0.00	\$0.00	Loucks Family Trust 06-24-98
267 280 10 00	1.00	SFD	D	1.00	1.00	\$0.00	\$0.00	Homolac Steven J&Gordon Carolyn L
267 280 11 00	1.00	SFD	D	1.00	1.00	\$0.00	\$0.00	Villanueva Lily M C
267 280 12 00	1.00	SFD	D	1.00	1.00	\$0.00	\$0.00	Lapine Ryan&Samantha
267 280 13 00	1.00	SFD	D	1.00	1.00	\$0.00	\$0.00	Vaplon Craig M&Leah M
267 280 14 00	1.00	SFD	D	1.00	1.00	\$0.00	\$0.00	Murken Revocable Living Trust 05-11-09
267 280 15 00	1.00	SFD	D	1.00	1.00	\$0.00	\$0.00	Markowicz-Sinopoli Trust 12-16-09
267 280 16 00	1.00	SFD	D	1.00	1.00	\$0.00	\$0.00	Miller Jeffrey A&Erin L
267 280 17 00	1.00	SFD	D	1.00	1.00	\$0.00	\$0.00	Peace James C&Heidi A
267 280 18 00	1.00	SFD	D	1.00	1.00	\$0.00	\$0.00	Gutglass David J
267 280 19 00	1.00	SFD	D	1.00	1.00	\$0.00	\$0.00	Parathasarathy Muralikrishnan&Mohan Sweatha
267 280 20 00	1.00	SFD	D	1.00	1.00	\$0.00	\$0.00	Morales Emil D&Jody A
267 280 21 00	1.00	SFD	D	1.00	1.00	\$0.00	\$0.00	Jereza Living Trust 12-03-02
267 280 22 00	1.00	SFD	D	1.00	1.00	\$0.00	\$0.00	Kaileh Tanya
267 280 23 00	1.00	SFD	D	1.00	1.00	\$0.00	\$0.00	Valero Eric D&Eileen L
267 280 24 00	1.00	SFD	D	1.00	1.00	\$0.00	\$0.00	Banaga Romulo E&Marita
267 280 25 00	1.00	SFD	D	1.00	1.00	\$0.00	\$0.00	Salimi Nima&Ramadev Misha
267 280 26 00	1.00	SFD	D	1.00	1.00	\$0.00	\$0.00	Llamas Richard D&Janet S
267 280 27 00	1.00	SFD	D	1.00	1.00	\$0.00	\$0.00	Pettiford Kenneth&Bridges Constance
267 280 28 00	1.00	SFD	D	1.00	1.00	\$0.00	\$0.00	Slavin Leonid&Marina O
267 280 29 00	1.00	SFD	D	1.00	1.00	\$0.00	\$0.00	Petray James C&Andrea L
267 280 30 00	1.00	SFD	D	1.00	1.00	\$0.00	\$0.00	Gonzales Pelagio B&Lorna E Revocable 2013 Trust
267 280 31 00	1.00	SFD	D	1.00	1.00	\$0.00	\$0.00	Camaciang Jonathan T&Lisa E
267 280 32 00	0.19	STR	D	0.00	0.00	\$0.00	\$0.00	Del Sur Community Assn
267 281 01 00	1.00	SFD	D	1.00	1.00	\$0.00	\$0.00	Foster Barbara J
267 281 02 00	1.00	SFD	D	1.00	1.00	\$0.00	\$0.00	Feldman James A&Leslie M
267 281 03 00	1.00	SFD	D	1.00	1.00	\$0.00	\$0.00	Linn Michael&Leslie
267 281 04 00	1.00	SFD	D	1.00	1.00	\$0.00	\$0.00	Stewart Family Trust 05-05-11
267 281 05 00	1.00	SFD	D	1.00	1.00	\$0.00	\$0.00	Campbell Christopher K&Stacy A
267 281 06 00	1.00	SFD	D	1.00	1.00	\$0.00	\$0.00	Petersen R J&Yasmine A
267 281 07 00	1.00	SFD	D	1.00	1.00	\$0.00	\$0.00	Delatorre Living Trust 04-27-11
267 281 08 00	1.00	SFD	D	1.00	1.00	\$0.00	\$0.00	Hanson Family Trust 12-15-10
267 281 09 00	1.00	SFD	D	1.00	1.00	\$0.00	\$0.00	Tran Kristin H&Bach Binh
267 281 10 00	1.00	SFD	D	1.00	1.00	\$0.00	\$0.00	Bustos Jeffrey B&Lajoie Andrea
267 281 11 00	1.00	SFD	D	1.00	1.00	\$0.00	\$0.00	Harner William E&Traci M
267 281 12 00	1.00	SFD	D	1.00	1.00	\$0.00	\$0.00	Poulsen Todd W&Marilyn C
267 281 13 00	1.00	SFD	D	1.00	1.00	\$0.00	\$0.00	Hayman Danielle K
267 281 14 00	1.00	SFD	D	1.00	1.00	\$0.00	\$0.00	Nguyen Ryan T&Lori T
267 281 15 00	1.00	SFD	D	1.00	1.00	\$0.00	\$0.00	Fajardo Ceferino M Jr&Maria C
267 281 16 00	1.00	SFD	D	1.00	1.00	\$0.00	\$0.00	Law Robert H Jr&Mujaji D
267 281 17 00	1.00	SFD	D	1.00	1.00	\$0.00	\$0.00	Bhalla Anurag&Shuchi
267 281 18 00	1.00	SFD	D	1.00	1.00	\$0.00	\$0.00	Roberts Janene L
267 281 19 00	1.00	SFD	D	1.00	1.00	\$0.00	\$0.00	Glaser Thomas&Diana
267 281 20 00	1.00	SFD	D	1.00	1.00	\$0.00	\$0.00	Johnson Family Trust 09-01-05
267 281 21 00	1.00	SFD	D	1.00	1.00	\$0.00	\$0.00	Shah Asif I
267 281 22 00	1.00	SFD	D	1.00	1.00	\$0.00	\$0.00	Barrow Daniel R&Michele M
267 281 23 00	1.00	SFD	D	1.00	1.00	\$0.00	\$0.00	Singh Mary T
267 281 24 00	1.00	SFD	D	1.00	1.00	\$0.00	\$0.00	Dessert Robert L&Julie A
267 281 25 00	1.00	SFD	D	1.00	1.00	\$0.00	\$0.00	Thottempudi Krishna P&Paladugu Rama S
267 281 26 00	1.00	SFD	D	1.00	1.00	\$0.00	\$0.00	Vandeberg Jerry S&Deborah R Revocable Trust 11-18-10
267 281 27 00	1.00	SFD	D	1.00	1.00	\$0.00	\$0.00	Katragadda Siddhartha&Kancherla Keerthi
267 281 28 00	1.00	SFD	D	1.00	1.00	\$0.00	\$0.00	Packer Michael G&Lynda E
267 281 29 00	1.00	SFD	D	1.00	1.00	\$0.00	\$0.00	Choy Martin&Julie
267 281 30 00	1.00	SFD	D	1.00	1.00	\$0.00	\$0.00	Reissman Family Trust 11-18-08
267 281 31 00	1.00	SFD	D	1.00	1.00	\$0.00	\$0.00	Ghorashi Bijan
267 281 32 00	1.00	SFD	D	1.00	1.00	\$0.00	\$0.00	Costa Family Trust 09-29-99
267 281 33 00	1.00	SFD	D	1.00	1.00	\$0.00	\$0.00	Griffin Christian T
267 281 34 00	1.00	SFD	D	1.00	1.00	\$0.00	\$0.00	Berman Ryan C



**EXHIBIT C - Assessment Roll (Fiscal Year 2015)**  
**Black Mountain Ranch North Maintenance Assessment District**

Parcel Number	Acres/ Units <sup>(1)</sup>	Land Use Code <sup>(2)</sup>	Zone	Land Use Factor <sup>(2)</sup>	Total EBUs	Unit Cost (\$/EUBU)	FY 2015 (3) Assessment	Owner Name
267 281 35 00	1.00	SFD	D	1.00	1.00	\$0.00	\$0.00	Dendinger Michael T
267 281 36 00	1.00	SFD	D	1.00	1.00	\$0.00	\$0.00	Avaregan Ashley A&Ruslana
267 281 37 00	1.00	SFD	D	1.00	1.00	\$0.00	\$0.00	Chan Howard H&Deguzman Elizabeth
267 281 38 00	0.22	STR	D	0.00	0.00	\$0.00	\$0.00	Del Sur Community Assn
267 281 39 00	0.06	STR	D	0.00	0.00	\$0.00	\$0.00	Del Sur Community Association
267 281 40 00	0.06	STR	D	0.00	0.00	\$0.00	\$0.00	Del Sur Community Association
267 281 41 00	1.45	PKU	D	0.50	0.73	\$0.00	\$0.00	Del Sur Community Assn
267 290 01 00	1.00	SFD	D	1.00	1.00	\$0.00	\$0.00	Cortes Jennifer A
267 290 02 00	1.00	SFD	D	1.00	1.00	\$0.00	\$0.00	Rosenfeld Jason L&Illyse H
267 290 03 00	1.00	SFD	D	1.00	1.00	\$0.00	\$0.00	Kihara James K&Christian M
267 290 04 00	1.00	SFD	D	1.00	1.00	\$0.00	\$0.00	Smith Thomas&Rory
267 290 05 00	1.00	SFD	D	1.00	1.00	\$0.00	\$0.00	Chiovari Roy C&Christina A
267 290 06 00	1.00	SFD	D	1.00	1.00	\$0.00	\$0.00	Bertrand Bradley R&Cynthia J
267 290 07 00	1.00	SFD	D	1.00	1.00	\$0.00	\$0.00	Pollak Brett&Stephanie J
267 290 08 00	1.00	SFD	D	1.00	1.00	\$0.00	\$0.00	Crowell Jason&Cynthia
267 290 09 00	1.00	SFD	D	1.00	1.00	\$0.00	\$0.00	Kunowski Peter&Betty
267 290 10 00	1.00	SFD	D	1.00	1.00	\$0.00	\$0.00	Leedom Michael&Jennifer
267 290 11 00	1.00	SFD	D	1.00	1.00	\$0.00	\$0.00	Cottle David&Jennifer
267 290 12 00	1.00	SFD	D	1.00	1.00	\$0.00	\$0.00	Brogdon James M&Donovan Maria
267 290 13 00	1.00	SFD	D	1.00	1.00	\$0.00	\$0.00	Roland Jason&Smith Deborah
267 290 14 00	1.00	SFD	D	1.00	1.00	\$0.00	\$0.00	Sadrieh Jay J
267 290 15 00	1.00	SFD	D	1.00	1.00	\$0.00	\$0.00	Han Sangdon&Kim Hyeju
267 290 16 00	1.00	SFD	D	1.00	1.00	\$0.00	\$0.00	Bhaghani Family 2008 Trust 05-29-08&Jamal Altaf A&Amna Z Et /
267 290 17 00	1.00	SFD	D	1.00	1.00	\$0.00	\$0.00	Mccartin Thomas W&Sara J
267 290 18 00	1.00	SFD	D	1.00	1.00	\$0.00	\$0.00	Ekeroth Daniel G&Erin L
267 290 19 00	1.00	SFD	D	1.00	1.00	\$0.00	\$0.00	Fox Danny
267 290 20 00	1.00	SFD	D	1.00	1.00	\$0.00	\$0.00	Berkebile James W&Amy G
267 290 21 00	1.00	SFD	D	1.00	1.00	\$0.00	\$0.00	Krylow John P Jr&Tara M
267 290 22 00	1.00	SFD	D	1.00	1.00	\$0.00	\$0.00	Vanam Kiran K&Attaluri Mahita
267 290 23 00	1.00	SFD	D	1.00	1.00	\$0.00	\$0.00	Felke Magnus&Susan
267 290 24 00	1.00	SFD	D	1.00	1.00	\$0.00	\$0.00	Rowe Alan&Petra
267 290 25 00	1.00	SFD	D	1.00	1.00	\$0.00	\$0.00	Forshan Dana&Collette
267 290 26 00	1.00	SFD	D	1.00	1.00	\$0.00	\$0.00	Fontana Jason
267 290 27 00	1.00	SFD	D	1.00	1.00	\$0.00	\$0.00	Lewandowski Ray
267 290 28 00	1.00	SFD	D	1.00	1.00	\$0.00	\$0.00	Isaacson Kelly
267 290 29 00	1.00	SFD	D	1.00	1.00	\$0.00	\$0.00	Taylor Theodore M&Nord-Taylor Tamera
267 290 30 00	1.00	SFD	D	1.00	1.00	\$0.00	\$0.00	Andrade Adam&May M
267 290 31 00	1.00	SFD	D	1.00	1.00	\$0.00	\$0.00	Modeste Roger T&Laverne
267 290 32 00	1.00	SFD	D	1.00	1.00	\$0.00	\$0.00	Vandling Michael G&Marla J
267 290 33 00	1.00	SFD	D	1.00	1.00	\$0.00	\$0.00	L L T F Revocable Trust 09-19-10
267 290 34 00	1.00	SFD	D	1.00	1.00	\$0.00	\$0.00	Glass John T&Julie D
267 290 35 00	1.00	SFD	D	1.00	1.00	\$0.00	\$0.00	Teeter Matthew&Jennifer Trust 05-30-13
267 290 36 00	1.00	SFD	D	1.00	1.00	\$0.00	\$0.00	Pascua Ricardo&Jesefin
267 290 37 00	1.00	SFD	D	1.00	1.00	\$0.00	\$0.00	Broder James M&Marjorie
267 290 38 00	1.00	SFD	D	1.00	1.00	\$0.00	\$0.00	Christian Richard&Jennifer
267 290 39 00	1.00	SFD	D	1.00	1.00	\$0.00	\$0.00	Albert Francis&Amanda
267 290 40 00	1.00	SFD	D	1.00	1.00	\$0.00	\$0.00	Kim Woopoung&Chung Yujin
267 290 41 00	1.00	SFD	D	1.00	1.00	\$0.00	\$0.00	Hickman Lisa
267 290 42 00	1.00	SFD	D	1.00	1.00	\$0.00	\$0.00	Bautista Anthony J&Alfonso-Bautista Joycelyn P
267 290 43 00	1.00	SFD	D	1.00	1.00	\$0.00	\$0.00	Jackman Keith&Annie
267 290 44 00	1.00	SFD	D	1.00	1.00	\$0.00	\$0.00	Margro Michael T&Susan L
267 290 45 00	1.00	SFD	D	1.00	1.00	\$0.00	\$0.00	Fierro Alfonso Jr&Caroline V
267 290 46 00	1.00	SFD	D	1.00	1.00	\$0.00	\$0.00	Sozzi Rick&Garrene Michelle
267 290 47 00	1.00	SFD	D	1.00	1.00	\$0.00	\$0.00	Maliyappanahalli Shiva K&Mahajan Harshada
267 290 48 00	1.00	SFD	D	1.00	1.00	\$0.00	\$0.00	Ioannou Nikolaos&Lara D
267 290 49 00	1.00	SFD	D	1.00	1.00	\$0.00	\$0.00	Leychkis David&Olga
267 290 50 00	1.00	SFD	D	1.00	1.00	\$0.00	\$0.00	Cabezueta Family Trust 07-03-12
267 290 51 00	1.00	SFD	D	1.00	1.00	\$0.00	\$0.00	Le Phong The&Vuong Ashley My
267 290 52 00	1.00	SFD	D	1.00	1.00	\$0.00	\$0.00	Boyce Mark&Kiran P

**EXHIBIT C - Assessment Roll (Fiscal Year 2015)**  
**Black Mountain Ranch North Maintenance Assessment District**

Parcel Number	Acres/ Units <sup>(1)</sup>	Land Use Code <sup>(2)</sup>	Zone	Land Use Factor <sup>(2)</sup>	Total EBUs	Unit Cost (\$/Ebu)	FY 2015 (3) Assessment	Owner Name
267 290 53 00	0.02	OSP	D	0.00	0.00	\$0.00	\$0.00	Del Sur Community Assn
267 290 54 00	0.03	OSP	D	0.00	0.00	\$0.00	\$0.00	Del Sur Community Assn
267 300 01 00	1.00	SFD	B	1.00	1.00	\$0.00	\$0.00	Black Mountain Ranch L L C
267 300 02 00	1.00	SFD	B	1.00	1.00	\$0.00	\$0.00	Black Mountain Ranch L L C
267 300 03 00	1.00	SFD	B	1.00	1.00	\$0.00	\$0.00	Black Mountain Ranch L L C
267 300 04 00	1.00	SFD	B	1.00	1.00	\$0.00	\$0.00	Black Mountain Ranch L L C
267 300 05 00	1.00	SFD	B	1.00	1.00	\$0.00	\$0.00	Black Mountain Ranch L L C
267 300 06 00	1.00	SFD	B	1.00	1.00	\$0.00	\$0.00	Black Mountain Ranch L L C
267 300 07 00	1.00	SFD	B	1.00	1.00	\$0.00	\$0.00	Black Mountain Ranch L L C
267 300 08 00	1.00	SFD	B	1.00	1.00	\$0.00	\$0.00	Black Mountain Ranch L L C
267 300 09 00	1.00	SFD	B	1.00	1.00	\$0.00	\$0.00	Black Mountain Ranch L L C
267 300 10 00	1.00	SFD	B	1.00	1.00	\$0.00	\$0.00	Black Mountain Ranch L L C
267 300 11 00	1.00	SFD	B	1.00	1.00	\$0.00	\$0.00	Black Mountain Ranch L L C
267 300 12 00	1.00	SFD	B	1.00	1.00	\$0.00	\$0.00	Black Mountain Ranch L L C
267 300 13 00	0.49	OSP	B	0.00	0.00	\$0.00	\$0.00	Black Mountain Ranch L L C
267 300 14 00	0.33	OSP	B	0.00	0.00	\$0.00	\$0.00	Black Mountain Ranch L L C
267 300 15 00	0.94	OSP	B	0.00	0.00	\$0.00	\$0.00	Black Mountain Ranch L L C
267 300 16 00	0.69	OSP	B	0.00	0.00	\$0.00	\$0.00	Black Mountain Ranch L L C
267 300 17 00	4.67	OSP	B	0.00	0.00	\$0.00	\$0.00	Black Mountain Ranch L L C
267 310 01 00	1.00	SFD	A	1.00	1.00	\$0.00	\$0.00	Barajas Trust 08-12-09
267 310 02 00	1.00	SFD	A	1.00	1.00	\$0.00	\$0.00	Lamm Revocable Trust 10-13-99
267 310 03 00	1.00	SFD	A	1.00	1.00	\$0.00	\$0.00	Weintraub Richard A&Miller Lisa A
267 310 04 00	1.00	SFD	A	1.00	1.00	\$0.00	\$0.00	Belmer Living Trust 07-15-13
267 310 05 00	1.00	SFD	A	1.00	1.00	\$0.00	\$0.00	Roche Timothy G&Lori M
267 310 06 00	1.00	SFD	A	1.00	1.00	\$0.00	\$0.00	Braunstein Roman&Polina
267 310 07 00	1.00	SFD	A	1.00	1.00	\$0.00	\$0.00	Ghazi Hamid&Babakhani Fariba K
267 310 08 00	1.00	SFD	A	1.00	1.00	\$0.00	\$0.00	Maas Fredric J
267 310 09 00	1.00	SFD	A	1.00	1.00	\$0.00	\$0.00	Borgardt S&S Family Trust 08-22-07
267 310 10 00	1.00	SFD	A	1.00	1.00	\$0.00	\$0.00	Lindsey Family Trust 09-18-02
267 310 11 00	1.00	SFD	A	1.00	1.00	\$0.00	\$0.00	Patel Piyush M&Sandhya P
267 310 12 00	1.00	SFD	A	1.00	1.00	\$0.00	\$0.00	Feidelberg-Codini Family Trust 04-15-03
267 310 13 00	1.00	SFD	A	1.00	1.00	\$0.00	\$0.00	Fujii Roger U Trust 03-12-07
267 310 14 00	1.00	SFD	A	1.00	1.00	\$0.00	\$0.00	Taylor Elizabeth L
267 310 15 00	1.00	SFD	A	1.00	1.00	\$0.00	\$0.00	Lane Nathaniel I&Hamilton Lynsey R
267 310 16 00	1.00	SFD	A	1.00	1.00	\$0.00	\$0.00	Lin Yung-Chen&Sue-Jen Fu
267 310 17 00	1.00	SFD	A	1.00	1.00	\$0.00	\$0.00	Diggs Gregory S&Nichola M
267 310 18 00	1.00	SFD	A	1.00	1.00	\$0.00	\$0.00	Nabai Sarah Living Trust 05-29-03
267 310 19 00	1.00	SFD	A	1.00	1.00	\$0.00	\$0.00	Zupnik Jonathan&Kim
267 310 20 00	1.00	SFD	A	1.00	1.00	\$0.00	\$0.00	Espinosa Edmund&Brooke
267 310 21 00	4.85	OSP	A	0.00	0.00	\$0.00	\$0.00	Black Mountain Ranch L L C
267 310 22 00	0.53	OSP	A	0.00	0.00	\$0.00	\$0.00	Black Mountain Ranch L L C
267 310 23 00	1.14	STR	A	0.00	0.00	\$0.00	\$0.00	Avaron Community Assn
267 310 24 00	0.38	STR	A	0.00	0.00	\$0.00	\$0.00	Avaron Community Assn
267 310 25 00	0.87	STR	A	0.00	0.00	\$0.00	\$0.00	Black Mountain Ranch L L C
267 310 26 00	0.05	STR	A	0.00	0.00	\$0.00	\$0.00	Black Mountain Ranch L L C
267 311 01 00	1.00	SFD	A	1.00	1.00	\$0.00	\$0.00	Doustdar Family Trust 03-14-05
267 311 02 00	1.00	SFD	A	1.00	1.00	\$0.00	\$0.00	Hsu Tony&Jennifer L Revocable Trust 08-14-06
267 311 03 00	1.00	SFD	A	1.00	1.00	\$0.00	\$0.00	Nickolay Clive E&Naiose G
267 311 04 00	1.00	SFD	A	1.00	1.00	\$0.00	\$0.00	Spittler Family Trust 11-20-01
267 311 05 00	1.00	SFD	A	1.00	1.00	\$0.00	\$0.00	Bindra Sarvjeet S&Simrat K
267 311 06 00	1.00	SFD	A	1.00	1.00	\$0.00	\$0.00	Cambria Trust 06-01-11
267 311 07 00	1.00	SFD	A	1.00	1.00	\$0.00	\$0.00	Brenneis Cyrena K Trust 02-24-10
267 311 08 00	1.00	SFD	A	1.00	1.00	\$0.00	\$0.00	Vasbinder Joshua D&Courtney M
267 311 09 00	1.00	SFD	A	1.00	1.00	\$0.00	\$0.00	Katz Family Trust 07-24-01
267 311 10 00	1.00	SFD	A	1.00	1.00	\$0.00	\$0.00	Lohmann Family Trust 03-30-06
267 311 11 00	1.00	SFD	A	1.00	1.00	\$0.00	\$0.00	Link Matthew W&Tiffany S
267 311 12 00	1.00	SFD	A	1.00	1.00	\$0.00	\$0.00	Fisher Family Trust 03-01-06
267 311 13 00	1.00	SFD	A	1.00	1.00	\$0.00	\$0.00	Magbanua Robert&Jennifer G
267 311 14 00	1.00	SFD	A	1.00	1.00	\$0.00	\$0.00	Hartman Trust 11-09-04

**EXHIBIT C - Assessment Roll (Fiscal Year 2015)**  
**Black Mountain Ranch North Maintenance Assessment District**

Parcel Number	Acres/ Units <sup>(1)</sup>	Land Use Code <sup>(2)</sup>	Zone	Land Use Factor <sup>(2)</sup>	Total EBUs	Unit Cost (\$/EUBU)	FY 2015 (3) Assessment	Owner Name
267 311 15 00	1.00	SFD	A	1.00	1.00	\$0.00	\$0.00	Shooter A&M Trust 12-05-06
267 311 16 00	1.00	SFD	A	1.00	1.00	\$0.00	\$0.00	Harris Timothy J&Altevers Aimee S Living Trust 06-22-05
267 311 17 00	1.00	SFD	A	1.00	1.00	\$0.00	\$0.00	Jarrett Lorraine
267 311 18 00	1.00	SFD	A	1.00	1.00	\$0.00	\$0.00	Johnston Niall F&Farnham Jennifer L
267 311 19 00	1.00	SFD	A	1.00	1.00	\$0.00	\$0.00	Franke Christopher
267 311 20 00	1.00	SFD	A	1.00	1.00	\$0.00	\$0.00	Youngren Ronald G&Regina M Joint Living Trust 01-19-05
267 311 21 00	1.00	SFD	A	1.00	1.00	\$0.00	\$0.00	Macdonald Michelle G Revocable Trust 04-08-08
267 311 22 00	1.00	SFD	A	1.00	1.00	\$0.00	\$0.00	Lam Tuan Hai
267 311 23 00	1.00	SFD	A	1.00	1.00	\$0.00	\$0.00	Olson Family Trust 07-14-04
267 311 24 00	1.00	SFD	A	1.00	1.00	\$0.00	\$0.00	Isaacson Blake Revocable Living Trust 11-01-97
267 311 25 00	1.00	SFD	A	1.00	1.00	\$0.00	\$0.00	Samuel Living Trust 06-08-13
267 311 26 00	0.33	OSP	A	0.00	0.00	\$0.00	\$0.00	Avaron Community Association
267 311 27 00	0.83	STR	A	0.00	0.00	\$0.00	\$0.00	Avaron Community Association
267 311 28 00	0.70	STR	A	0.00	0.00	\$0.00	\$0.00	Avaron Community Assn
267 311 29 00	2.42	STR	A	0.00	0.00	\$0.00	\$0.00	Black Mountain Ranch L L C
267 312 01 00	1.00	SFD	A	1.00	1.00	\$0.00	\$0.00	Happy To Be Family Trust 05-21-11
267 312 02 00	1.00	SFD	A	1.00	1.00	\$0.00	\$0.00	Yasotorn Amy S
267 312 03 00	1.00	SFD	A	1.00	1.00	\$0.00	\$0.00	Burton John R&Ellen P Family Trust 01-25-99
267 312 04 00	1.00	SFD	A	1.00	1.00	\$0.00	\$0.00	Howell James M&Pamela B
267 312 05 00	1.00	SFD	A	1.00	1.00	\$0.00	\$0.00	Labarbera N C D Irrevocable 2010 Trust 11-10-10
267 312 06 00	1.00	SFD	A	1.00	1.00	\$0.00	\$0.00	Gabrielson William C 2004 Trust 08-30-04
267 312 07 00	1.00	SFD	A	1.00	1.00	\$0.00	\$0.00	Eisenberg Steven G&Julie S
267 312 08 00	1.00	SFD	A	1.00	1.00	\$0.00	\$0.00	Ghai Rajinder S&Mandeep K
267 312 09 00	1.00	SFD	A	1.00	1.00	\$0.00	\$0.00	Leone Living Trust 12-31-96
267 312 10 00	1.00	SFD	A	1.00	1.00	\$0.00	\$0.00	Jehan Qaiser
267 312 11 00	1.00	SFD	A	1.00	1.00	\$0.00	\$0.00	Gaeir Aaron&Kimberley
267 312 12 00	1.00	SFD	A	1.00	1.00	\$0.00	\$0.00	Hammonds James W Jr&Sandra A
267 312 13 00	1.00	SFD	A	1.00	1.00	\$0.00	\$0.00	Herrera Family Trust 11-02-09
267 312 14 00	1.00	SFD	A	1.00	1.00	\$0.00	\$0.00	Toranto Family Trust 08-12-11
267 312 15 00	0.18	OSP	A	0.00	0.00	\$0.00	\$0.00	Avaron Community Assn
267 312 16 00	0.79	STR	A	0.00	0.00	\$0.00	\$0.00	Avaron Community Assn
267 313 02 00	1.34	OSP	A	0.00	0.00	\$0.00	\$0.00	Black Mountain Ranch L L C
267 313 03 00	0.69	OSP	A	0.00	0.00	\$0.00	\$0.00	Black Mountain Ranch L L C
267 313 04 00	0.21	OSP	A	0.00	0.00	\$0.00	\$0.00	Olivenhain Municipal Water Dist
267 313 05 00	0.23	OSP	A	0.00	0.00	\$0.00	\$0.00	Olivenhain Municipal Water Dist
267 313 06 00	0.11	OSP	A	0.00	0.00	\$0.00	\$0.00	Olivenhain Municipal Water District
267 313 07 00	0.03	OSP	A	0.00	0.00	\$0.00	\$0.00	Olivenhain Municipal Water District
267 313 08 00	18.81	OSP	A	0.00	0.00	\$0.00	\$0.00	Black Mountain Ranch L L C
267 320 01 00	1.00	SFD	D	1.00	1.00	\$0.00	\$0.00	Wheeler David D&Wendy E
267 320 02 00	1.00	SFD	D	1.00	1.00	\$0.00	\$0.00	Devalapalli Suresh&Uppalapati Keerti
267 320 03 00	1.00	SFD	D	1.00	1.00	\$0.00	\$0.00	Bosco Karen S
267 320 04 00	1.00	SFD	D	1.00	1.00	\$0.00	\$0.00	Vandenberg Brockton G&Amy D
267 320 05 00	1.00	SFD	D	1.00	1.00	\$0.00	\$0.00	Corleto Family Trust 05-24-13
267 320 06 00	1.00	SFD	D	1.00	1.00	\$0.00	\$0.00	Tollack Toby&Cortez-Tollack Kathryn
267 320 07 00	1.00	SFD	D	1.00	1.00	\$0.00	\$0.00	Schramm Eric D&Summer A
267 320 08 00	1.00	SFD	D	1.00	1.00	\$0.00	\$0.00	Pederson Erik&Mashburn-Pederson Adria L
267 320 09 00	1.00	SFD	D	1.00	1.00	\$0.00	\$0.00	Weaver Tracy H
267 320 10 01	1.00	SFD	D	1.00	1.00	\$0.00	\$0.00	Thota Kiran K&Velagaleti Swetha
267 320 10 02	1.00	SFD	D	1.00	1.00	\$0.00	\$0.00	Bismark Ronald R&Deanna L
267 320 11 01	1.00	SFD	D	1.00	1.00	\$0.00	\$0.00	Sanders Dave
267 320 11 02	1.00	SFD	D	1.00	1.00	\$0.00	\$0.00	Mckenna John R&Karissa L
267 320 12 01	1.00	SFD	D	1.00	1.00	\$0.00	\$0.00	Gundawar Manoj&Pallavi
267 320 12 02	1.00	SFD	D	1.00	1.00	\$0.00	\$0.00	Saedaddin Firas&Al-Khatib Rahaf
267 320 13 01	1.00	SFD	D	1.00	1.00	\$0.00	\$0.00	Tarplee Todd&Allison
267 320 13 02	1.00	SFD	D	1.00	1.00	\$0.00	\$0.00	Tarplee Family Trust 06-01-00
267 320 14 01	1.00	SFD	D	1.00	1.00	\$0.00	\$0.00	Clement Pamela F Trust 06-09-89
267 320 14 02	1.00	SFD	D	1.00	1.00	\$0.00	\$0.00	Abramson Joseph G&Laure-Abramson Dinna A
267 320 15 01	1.00	SFD	D	1.00	1.00	\$0.00	\$0.00	Luke Family Trust 11-22-05
267 320 15 02	1.00	SFD	D	1.00	1.00	\$0.00	\$0.00	Kerr Donald A&Elaine J Living Trust 05-18-92

**EXHIBIT C - Assessment Roll (Fiscal Year 2015)**  
**Black Mountain Ranch North Maintenance Assessment District**

Parcel Number	Acres/ Units <sup>(1)</sup>	Land Use Code <sup>(2)</sup>	Zone	Land Use Factor <sup>(2)</sup>	Total EBUs	Unit Cost (\$/EUBU)	FY 2015 (3) Assessment	Owner Name
267 320 16 00	0.28	STR	D	0.00	0.00	\$0.00	\$0.00	Del Sur Community Assn
267 321 07 00	1.00	SFD	D	1.00	1.00	\$0.00	\$0.00	Goodman Living Trust 12-10-10
267 321 08 00	1.00	SFD	D	1.00	1.00	\$0.00	\$0.00	Dick C&L Family Trust 06-09-13
267 321 09 00	1.00	SFD	D	1.00	1.00	\$0.00	\$0.00	Reinhart Trust 11-06-12
267 321 10 00	1.00	SFD	D	1.00	1.00	\$0.00	\$0.00	H R M Family Trust 07-08-97
267 321 11 00	1.00	SFD	D	1.00	1.00	\$0.00	\$0.00	Weil Karen L
267 321 12 00	1.00	SFD	D	1.00	1.00	\$0.00	\$0.00	Hamui K T Family Trust 05-20-13
267 321 13 00	1.00	SFD	D	1.00	1.00	\$0.00	\$0.00	Caulum Family Living Trust 03-28-03
267 321 14 00	1.00	SFD	D	1.00	1.00	\$0.00	\$0.00	Kirsten Nico&Cornelia J
267 321 15 00	0.24	STR	D	0.00	0.00	\$0.00	\$0.00	Standard Pacific Corp
267 321 16 01	1.00	SFD	D	1.00	1.00	\$0.00	\$0.00	Tuttle Stephen C&Deborah O Family Trust 05-12-00
267 321 16 02	1.00	SFD	D	1.00	1.00	\$0.00	\$0.00	Petersen Mark A&Sara R
267 321 16 03	1.00	SFD	D	1.00	1.00	\$0.00	\$0.00	Marcum Mary N
267 321 16 04	1.00	SFD	D	1.00	1.00	\$0.00	\$0.00	Moselhy Haytham&Brinis Wissem
267 321 16 05	1.00	SFD	D	1.00	1.00	\$0.00	\$0.00	Munoz Jose E Jr&Lindy M
267 321 16 06	1.00	SFD	D	1.00	1.00	\$0.00	\$0.00	Chiong John P
267 321 16 07	1.00	SFD	D	1.00	1.00	\$0.00	\$0.00	Kurtzman Melissa T
267 321 16 08	1.00	SFD	D	1.00	1.00	\$0.00	\$0.00	Tawil Jose J V
267 321 16 09	1.00	SFD	D	1.00	1.00	\$0.00	\$0.00	Hullings Kenneth A Jr&Webster-Hullings Lori
267 321 16 10	1.00	SFD	D	1.00	1.00	\$0.00	\$0.00	Kumar Vinu V&Kamalakkannan Sangeetha
267 321 16 11	1.00	SFD	D	1.00	1.00	\$0.00	\$0.00	Eder Clara Trust 07-06-07
267 321 16 12	1.00	SFD	D	1.00	1.00	\$0.00	\$0.00	Hudson David&Jessica
267 330 01 00	1.00	SFD	D	1.00	1.00	\$0.00	\$0.00	Chambers Robert J II&Amber L
267 330 02 00	1.00	SFD	D	1.00	1.00	\$0.00	\$0.00	Biebel Steven W
267 330 03 00	1.00	SFD	D	1.00	1.00	\$0.00	\$0.00	Hu Qi Dong&Zhou Zhi Hong
267 330 04 00	1.00	SFD	D	1.00	1.00	\$0.00	\$0.00	Corss Jon C&Quaglieri Christina E
267 330 05 00	1.00	SFD	D	1.00	1.00	\$0.00	\$0.00	Attisha Ayad&Melissa
267 330 06 00	1.00	SFD	D	1.00	1.00	\$0.00	\$0.00	Kwon Chang Ki&Shim Sook Kyoung
267 330 07 00	1.00	SFD	D	1.00	1.00	\$0.00	\$0.00	Schofield Bonny C
267 330 08 00	1.00	SFD	D	1.00	1.00	\$0.00	\$0.00	Heine Ryan&Ellis Emily J
267 330 09 00	1.00	SFD	D	1.00	1.00	\$0.00	\$0.00	Chang Michelle E
267 330 10 00	1.00	SFD	D	1.00	1.00	\$0.00	\$0.00	Wong Susanna Ho
267 330 11 00	1.00	SFD	D	1.00	1.00	\$0.00	\$0.00	Farley Family Trust 01-27-14
267 330 12 00	1.00	SFD	D	1.00	1.00	\$0.00	\$0.00	Shin John S&Rayna N
267 330 13 00	1.00	SFD	D	1.00	1.00	\$0.00	\$0.00	Boda Vamsee Krishna Babu&Thummalapalli Padmavathi Devi
267 330 14 00	1.00	SFD	D	1.00	1.00	\$0.00	\$0.00	Namoca Ceazar&Ferrer Anna
267 330 15 00	1.00	SFD	D	1.00	1.00	\$0.00	\$0.00	Campagna Family Trust 08-29-01
267 330 16 00	1.00	SFD	D	1.00	1.00	\$0.00	\$0.00	Perry Wilton A Jr&Georgina
267 330 17 00	1.00	SFD	D	1.00	1.00	\$0.00	\$0.00	Nabai Sarah Revocable Living Trust 05-29-03
267 330 18 00	1.00	SFD	D	1.00	1.00	\$0.00	\$0.00	Haughey Patrick&Xuan N
267 330 19 00	1.00	SFD	D	1.00	1.00	\$0.00	\$0.00	Pennington Scott&Julie C
267 330 20 00	1.00	SFD	D	1.00	1.00	\$0.00	\$0.00	Elder Tera F
267 330 21 00	1.00	SFD	D	1.00	1.00	\$0.00	\$0.00	Greene Rebecca L
267 330 22 00	1.00	SFD	D	1.00	1.00	\$0.00	\$0.00	Reyes Edgar A&Karen Q
267 330 23 00	1.00	SFD	D	1.00	1.00	\$0.00	\$0.00	Colace Joseph J III Family 1998 Trust 04-22-98
267 330 24 00	1.00	SFD	D	1.00	1.00	\$0.00	\$0.00	Burns Mark J
267 330 25 00	1.00	SFD	D	1.00	1.00	\$0.00	\$0.00	Herrera Wilfredo G&Glenda
267 330 26 00	1.00	SFD	D	1.00	1.00	\$0.00	\$0.00	Mitchell Mary J
267 330 27 00	1.00	SFD	D	1.00	1.00	\$0.00	\$0.00	Delmundo Summer
267 330 28 00	1.00	SFD	D	1.00	1.00	\$0.00	\$0.00	Pallela Raja S R&Yenreddy Spurthi
267 330 29 00	1.00	SFD	D	1.00	1.00	\$0.00	\$0.00	Sun Huikai
267 330 30 00	1.00	SFD	D	1.00	1.00	\$0.00	\$0.00	Muga Matthew C&Kimberly E
267 330 31 00	1.00	SFD	D	1.00	1.00	\$0.00	\$0.00	Unni Hrishikesh C
267 330 32 00	1.00	SFD	D	1.00	1.00	\$0.00	\$0.00	Fabyan Jay&Julia
267 330 33 00	1.00	SFD	D	1.00	1.00	\$0.00	\$0.00	Pham Ngoc T B
267 330 34 00	1.00	SFD	D	1.00	1.00	\$0.00	\$0.00	Cowell Jessica A
267 330 35 00	1.00	SFD	D	1.00	1.00	\$0.00	\$0.00	Timariu Petrea&Luiza
267 330 36 00	1.00	SFD	D	1.00	1.00	\$0.00	\$0.00	Gasser Family Trust 09-01-11
267 330 37 00	1.00	SFD	D	1.00	1.00	\$0.00	\$0.00	Fogel Gregory S&Coel Jeanne A

**EXHIBIT C - Assessment Roll (Fiscal Year 2015)**  
**Black Mountain Ranch North Maintenance Assessment District**

Parcel Number	Acres/ Units <sup>(1)</sup>	Land Use Code <sup>(2)</sup>	Zone	Land Use Factor <sup>(2)</sup>	Total EBUs	Unit Cost (\$/EUBU)	FY 2015 (3) Assessment	Owner Name
267 330 38 00	1.00	SFD	D	1.00	1.00	\$0.00	\$0.00	Bromley Jayme L
267 330 39 00	1.00	SFD	D	1.00	1.00	\$0.00	\$0.00	Nuhaily Samir M&Bushra S
267 330 40 00	1.00	SFD	D	1.00	1.00	\$0.00	\$0.00	Stephan Christina A
267 330 41 00	1.00	SFD	D	1.00	1.00	\$0.00	\$0.00	Silver Paul&Sylvia Family Trust 02-26-09
267 330 42 00	1.00	SFD	D	1.00	1.00	\$0.00	\$0.00	Ashley Sonia 2012 Trust 09-24-12
267 330 43 00	1.00	SFD	D	1.00	1.00	\$0.00	\$0.00	McLoughlin Trust 09-16-10
267 330 44 00	1.00	SFD	D	1.00	1.00	\$0.00	\$0.00	Doherty Robert F Jr&Melissa L
267 330 45 00	1.00	SFD	D	1.00	1.00	\$0.00	\$0.00	Block Family 2014 Trust 01-09-14
267 330 46 00	1.00	SFD	D	1.00	1.00	\$0.00	\$0.00	Cho Mark K&Kyoungwha
267 330 47 00	1.00	SFD	D	1.00	1.00	\$0.00	\$0.00	Manges Ross G (Dp)
267 330 48 00	1.00	SFD	D	1.00	1.00	\$0.00	\$0.00	Sadhu Hari Krishna&Kodali Mallika
267 330 49 00	1.00	SFD	D	1.00	1.00	\$0.00	\$0.00	Robertson Eric J&Kimberly A
267 330 50 00	1.00	SFD	D	1.00	1.00	\$0.00	\$0.00	Buechler Family Trust 12-16-99
267 330 51 00	1.00	SFD	D	1.00	1.00	\$0.00	\$0.00	Paben Christopher L Irrevocable Trust 09-27-01
267 330 52 00	1.00	SFD	D	1.00	1.00	\$0.00	\$0.00	Salontai Brandon&Rachel
267 330 53 00	1.00	SFD	D	1.00	1.00	\$0.00	\$0.00	Getchell Marcos A&Luciana F
267 330 54 00	1.00	SFD	D	1.00	1.00	\$0.00	\$0.00	Shah Maulik S&Vora Kajal P
267 330 55 00	1.00	SFD	D	1.00	1.00	\$0.00	\$0.00	Fieldhack Jeffrey&Jennifer
267 330 56 00	1.00	SFD	D	1.00	1.00	\$0.00	\$0.00	Bodine Chad&Amanda
267 330 57 00	1.00	SFD	D	1.00	1.00	\$0.00	\$0.00	Saxon Brandon D&Lisa M
267 330 58 00	1.00	SFD	D	1.00	1.00	\$0.00	\$0.00	Howe Thomas W&Rebecca C
267 330 59 00	1.00	SFD	D	1.00	1.00	\$0.00	\$0.00	Halcomb Family Trust 05-03-91
267 330 60 00	1.00	SFD	D	1.00	1.00	\$0.00	\$0.00	Hanson Ashley J
267 330 61 00	1.00	SFD	D	1.00	1.00	\$0.00	\$0.00	Beck Stephen&Torrey
267 330 62 00	1.00	SFD	D	1.00	1.00	\$0.00	\$0.00	Vieira Eleanor P
267 330 63 00	1.00	SFD	D	1.00	1.00	\$0.00	\$0.00	Loznycky Bill W Jr&Darlene E
267 330 64 00	1.00	SFD	D	1.00	1.00	\$0.00	\$0.00	Khanbolooki Parham
267 330 65 00	1.00	SFD	D	1.00	1.00	\$0.00	\$0.00	Smith Gregory B&Susan W
267 330 66 00	1.00	SFD	D	1.00	1.00	\$0.00	\$0.00	Schwager Family Trust 03-31-10
267 330 67 00	1.00	SFD	D	1.00	1.00	\$0.00	\$0.00	Becker Mark W&Beverly E
267 330 68 00	1.00	SFD	D	1.00	1.00	\$0.00	\$0.00	Taylor Marcus K&Deborah L
267 330 69 00	1.00	SFD	D	1.00	1.00	\$0.00	\$0.00	King Raymond C&Hernandez Charlene V
267 330 70 00	0.07	STR	D	0.00	0.00	\$0.00	\$0.00	Delsur Community Assn
267 330 71 00	0.08	STR	D	0.00	0.00	\$0.00	\$0.00	Del Sur Community Assn
267 330 72 00	0.08	STR	D	0.00	0.00	\$0.00	\$0.00	Del Sur Community Assn
267 330 73 00	0.08	STR	D	0.00	0.00	\$0.00	\$0.00	Del Sur Community Assn
267 330 74 00	0.35	STR	D	0.00	0.00	\$0.00	\$0.00	Delsur Community Assn
267 330 75 00	0.22	STR	D	0.00	0.00	\$0.00	\$0.00	Del Sur Community Assn
267 330 76 00	0.33	OSP	D	0.00	0.00	\$0.00	\$0.00	Del Sur Community Assn
267 330 77 00	2.37	OSP	D	0.00	0.00	\$0.00	\$0.00	Del Sur Community Assn
267 330 78 00	0.06	OSP	D	0.00	0.00	\$0.00	\$0.00	Delsur Community Assn
267 330 79 00	0.09	OSP	D	0.00	0.00	\$0.00	\$0.00	Del Sur Community Assn
267 330 80 00	0.20	STR	D	0.00	0.00	\$0.00	\$0.00	Delsur Community Assn
267 340 01 00	1.00	SFD	D	1.00	1.00	\$0.00	\$0.00	Bender Anna M Living Trust 08-05-98
267 340 02 00	1.00	SFD	D	1.00	1.00	\$0.00	\$0.00	Karam John D
267 340 03 00	1.00	SFD	D	1.00	1.00	\$0.00	\$0.00	Hayek Brian J&Ashley A
267 340 04 00	1.00	SFD	D	1.00	1.00	\$0.00	\$0.00	Tamillo Justin K&Mandy D
267 340 05 00	1.00	SFD	D	1.00	1.00	\$0.00	\$0.00	Kim Kunil&Suhee
267 340 06 00	1.00	SFD	D	1.00	1.00	\$0.00	\$0.00	Butler Nicholas R&Elizabeth A
267 340 07 00	1.00	SFD	D	1.00	1.00	\$0.00	\$0.00	Dasgupta Rajarshi&Banerjee Antara
267 340 08 00	1.00	SFD	D	1.00	1.00	\$0.00	\$0.00	Mahdavih Haleh
267 340 09 00	1.00	SFD	D	1.00	1.00	\$0.00	\$0.00	Chen Peter&Shakya Sarita
267 340 10 00	1.00	SFD	D	1.00	1.00	\$0.00	\$0.00	Crutchfield Todd&Jennifer
267 340 11 00	1.00	SFD	D	1.00	1.00	\$0.00	\$0.00	Jones Ryan C&Hande
267 340 12 00	1.00	SFD	D	1.00	1.00	\$0.00	\$0.00	Lawson Diana
267 340 13 00	1.00	SFD	D	1.00	1.00	\$0.00	\$0.00	Gieselman Nathan A&Simone
267 340 14 00	1.00	SFD	D	1.00	1.00	\$0.00	\$0.00	Davidyoung Iii Family Trust
267 340 15 00	1.00	SFD	D	1.00	1.00	\$0.00	\$0.00	Jolly Gautam K&Ahuja Deepiti
267 340 16 00	1.00	SFD	D	1.00	1.00	\$0.00	\$0.00	Felker Damon L&Lauren E

**EXHIBIT C - Assessment Roll (Fiscal Year 2015)**  
**Black Mountain Ranch North Maintenance Assessment District**

Parcel Number	Acres/ Units <sup>(1)</sup>	Land Use Code <sup>(2)</sup>	Zone	Land Use Factor <sup>(2)</sup>	Total EBUs	Unit Cost (\$/EUBU)	FY 2015 (3) Assessment	Owner Name
267 340 17 00	1.00	SFD	D	1.00	1.00	\$0.00	\$0.00	Yang Jian
267 340 18 00	1.00	SFD	D	1.00	1.00	\$0.00	\$0.00	Freer Kc&Sydney
267 340 19 00	1.00	SFD	D	1.00	1.00	\$0.00	\$0.00	Holden Jason T&Jeanette W
267 340 20 00	1.00	SFD	D	1.00	1.00	\$0.00	\$0.00	Li Yong&Ge Xinjie
267 340 21 00	1.00	SFD	D	1.00	1.00	\$0.00	\$0.00	Macier Marc&Christina
267 340 22 00	1.00	SFD	D	1.00	1.00	\$0.00	\$0.00	Tu Thang&Jian Shuzhen
267 340 23 00	1.00	SFD	D	1.00	1.00	\$0.00	\$0.00	Piotrowiak Jaroslaw&Dagmara E
267 340 24 00	1.00	SFD	D	1.00	1.00	\$0.00	\$0.00	Pavis Ian&Lisa M
267 340 25 00	1.00	SFD	D	1.00	1.00	\$0.00	\$0.00	Ryan Benjamin R&Jessica D
267 340 26 00	1.00	SFD	D	1.00	1.00	\$0.00	\$0.00	Land Family Trust 09-11-13
267 340 27 00	1.00	SFD	D	1.00	1.00	\$0.00	\$0.00	Bharadwaj Gowrishankar&Gayatri
267 340 28 00	1.00	SFD	D	1.00	1.00	\$0.00	\$0.00	Hensley Curtis S&Erin R Living Trust 07-22-00
267 340 29 00	1.00	SFD	D	1.00	1.00	\$0.00	\$0.00	Gandara Paul M&Medina Carolyn A
267 340 30 00	1.00	SFD	D	1.00	1.00	\$0.00	\$0.00	Storevik Andrew C&Danielle M
267 340 31 00	1.00	SFD	D	1.00	1.00	\$0.00	\$0.00	Chung Bok-Chul&Yoo Ju
267 340 32 00	1.00	SFD	D	1.00	1.00	\$0.00	\$0.00	Johnson Todd&April
267 340 33 00	1.00	SFD	D	1.00	1.00	\$0.00	\$0.00	Henderson Scott A&Shannon H Family Trust 10-26-11
267 340 34 00	1.00	SFD	D	1.00	1.00	\$0.00	\$0.00	Winters Aaron S&Susan
267 340 35 00	1.00	SFD	D	1.00	1.00	\$0.00	\$0.00	Fullenwider Mervin&Christine
267 340 36 00	1.00	SFD	D	1.00	1.00	\$0.00	\$0.00	Silva Tsuneko S
267 340 37 00	1.00	SFD	D	1.00	1.00	\$0.00	\$0.00	Wroslavsky Philip&Magda M
267 340 38 00	1.00	SFD	D	1.00	1.00	\$0.00	\$0.00	Bennett Maryellen M Family Trust
267 340 39 00	1.00	SFD	D	1.00	1.00	\$0.00	\$0.00	Dragnes Trust 11-09-07
267 340 40 00	1.00	SFD	D	1.00	1.00	\$0.00	\$0.00	Caoile Michael&Jeanne
267 340 41 00	1.00	SFD	D	1.00	1.00	\$0.00	\$0.00	Horn Brad&Stephani
267 340 42 00	1.00	SFD	D	1.00	1.00	\$0.00	\$0.00	Givens Christopher J&Ter-Markarova Lidiya I
267 340 43 00	1.00	SFD	D	1.00	1.00	\$0.00	\$0.00	Sorensen Neil J&Karla K
267 340 44 00	1.00	SFD	D	1.00	1.00	\$0.00	\$0.00	Zubrod Family Trust 04-24-12
267 340 45 00	1.00	SFD	D	1.00	1.00	\$0.00	\$0.00	Gilding Jerome A&Trina L
267 340 46 00	1.00	SFD	D	1.00	1.00	\$0.00	\$0.00	Lie Family Trust 03-19-08
267 340 47 00	1.00	SFD	D	1.00	1.00	\$0.00	\$0.00	Reel Family Trust 06-12-12
267 340 48 00	1.00	SFD	D	1.00	1.00	\$0.00	\$0.00	Cheshire Cary&Michelle Family Trust 01-22-10
267 340 49 00	1.00	SFD	D	1.00	1.00	\$0.00	\$0.00	Chan Marcus W&Heidi K
267 340 50 00	1.00	SFD	D	1.00	1.00	\$0.00	\$0.00	Keogh David M&Davis Mindy L
267 340 51 00	1.00	SFD	D	1.00	1.00	\$0.00	\$0.00	Seidenwurm Robert S&Kathryn C
267 340 52 00	1.00	SFD	D	1.00	1.00	\$0.00	\$0.00	Ochsner Todd A&Stephanie
267 340 53 00	1.00	SFD	D	1.00	1.00	\$0.00	\$0.00	Gonzalez Ralph P
267 340 54 00	1.00	SFD	D	1.00	1.00	\$0.00	\$0.00	Johnson Michael Eugene
267 340 55 00	1.00	SFD	D	1.00	1.00	\$0.00	\$0.00	Conrad Skyla Special Needs Trust 03-15-11
267 340 56 00	1.00	SFD	D	1.00	1.00	\$0.00	\$0.00	Tuell Maria
267 340 57 00	1.00	SFD	D	1.00	1.00	\$0.00	\$0.00	Grau Kriste Separate Property Trust 09-10-12
267 340 58 00	1.00	SFD	D	1.00	1.00	\$0.00	\$0.00	Sullivan Christopher&Alexandra Family Trust 07-28-11
267 340 59 00	1.00	SFD	D	1.00	1.00	\$0.00	\$0.00	Furnari Elizabeth&Frank Living Trust 06-21-11
267 340 60 00	1.00	SFD	D	1.00	1.00	\$0.00	\$0.00	Blalock Misty D
267 340 61 00	1.00	SFD	D	1.00	1.00	\$0.00	\$0.00	Sheedlo Darryl&Susan Family&Special Needs 2013 Trust
267 340 62 00	1.00	SFD	D	1.00	1.00	\$0.00	\$0.00	Dorfman Family Trust 08-11-09
267 340 63 00	1.00	SFD	D	1.00	1.00	\$0.00	\$0.00	Tulkki Family Trust 08-20-08
267 340 64 00	1.00	SFD	D	1.00	1.00	\$0.00	\$0.00	Bokelman Kevin&Antonia
267 340 65 00	1.00	SFD	D	1.00	1.00	\$0.00	\$0.00	Sigmon Carter H&Jennifer K
267 340 66 00	1.00	SFD	D	1.00	1.00	\$0.00	\$0.00	Frye James P&Jane G
267 340 67 00	1.00	SFD	D	1.00	1.00	\$0.00	\$0.00	Shanmugaraju Raghuraj&Raj Kavitha
267 340 68 00	1.00	SFD	D	1.00	1.00	\$0.00	\$0.00	Paiva Renato G&Kimberly E
267 340 69 00	1.00	SFD	D	1.00	1.00	\$0.00	\$0.00	Nah Trust 04-01-12
267 340 70 00	1.00	SFD	D	1.00	1.00	\$0.00	\$0.00	Swanson Thomas J&Laura I
267 340 71 00	0.03	OSP	D	0.00	0.00	\$0.00	\$0.00	Del Sur Community Association
267 340 72 00	0.02	STR	D	0.00	0.00	\$0.00	\$0.00	Del Sur Community Association
267 341 01 00	1.00	SFD	D	1.00	1.00	\$0.00	\$0.00	Takenaga Marc M&Chang Michelle E
267 341 02 00	1.00	SFD	D	1.00	1.00	\$0.00	\$0.00	Lafontaine Devin&Bernard Stephanie
267 341 03 00	1.00	SFD	D	1.00	1.00	\$0.00	\$0.00	Walker Paul&Jessica

**EXHIBIT C - Assessment Roll (Fiscal Year 2015)**  
**Black Mountain Ranch North Maintenance Assessment District**

Parcel Number	Acres/ Units <sup>(1)</sup>	Land Use Code <sup>(2)</sup>	Zone	Land Use Factor <sup>(2)</sup>	Total EBUs	Unit Cost (\$/Ebu)	FY 2015 (3) Assessment	Owner Name
267 341 04 00	1.00	SFD	D	1.00	1.00	\$0.00	\$0.00	Abed Chung Family Trust 11-15-12
267 341 05 00	1.00	SFD	D	1.00	1.00	\$0.00	\$0.00	Stamoulis Anastasios&Oikonomou Ioanna
267 341 06 00	1.00	SFD	D	1.00	1.00	\$0.00	\$0.00	Lafontaine Bruno&Baker Sherry L
267 341 07 00	1.00	SFD	D	1.00	1.00	\$0.00	\$0.00	Nguyen Khai Hoang
267 341 08 00	1.00	SFD	D	1.00	1.00	\$0.00	\$0.00	Rainier Rajiv&Pothula Nirupama
267 341 09 00	1.00	SFD	D	1.00	1.00	\$0.00	\$0.00	Brooker Jeffrey A&Engel Katrin
267 341 10 00	1.00	SFD	D	1.00	1.00	\$0.00	\$0.00	Fleming Paul G&Hatsuyo
267 341 11 00	1.00	SFD	D	1.00	1.00	\$0.00	\$0.00	Zumut Yousef S&Rubia N
267 341 12 00	1.00	SFD	D	1.00	1.00	\$0.00	\$0.00	Armstrong Shayne M&Kelly A
267 341 13 00	1.00	SFD	D	1.00	1.00	\$0.00	\$0.00	Porter Leigh N&Jackie D
267 341 14 00	1.00	SFD	D	1.00	1.00	\$0.00	\$0.00	Visser Erik
267 341 15 00	1.00	SFD	D	1.00	1.00	\$0.00	\$0.00	Dominguez Gerardo&Casey
267 341 16 00	1.00	SFD	D	1.00	1.00	\$0.00	\$0.00	Holmes Margaret A
267 341 17 00	1.00	SFD	D	1.00	1.00	\$0.00	\$0.00	Duong Peter D
267 341 18 00	1.00	SFD	D	1.00	1.00	\$0.00	\$0.00	Ciano Ronald A&Kathy A
267 341 19 00	1.00	SFD	D	1.00	1.00	\$0.00	\$0.00	Ngo Albert M&Jennifer C
267 341 20 00	1.00	SFD	D	1.00	1.00	\$0.00	\$0.00	Brown David&Mindigo Lauren
267 341 21 00	1.00	SFD	D	1.00	1.00	\$0.00	\$0.00	Katzenmeier Adam
267 341 22 00	1.00	SFD	D	1.00	1.00	\$0.00	\$0.00	Mikoulitch Ivan&Lioudmila
267 341 23 00	0.25	STR	D	0.00	0.00	\$0.00	\$0.00	Del Sur Community Assn
267 341 24 00	1.68	PKU	D	0.50	0.84	\$0.00	\$0.00	Black Mountain Ranch L L C
267 350 01 00	1.00	SFD	E	1.00	1.00	\$0.00	\$0.00	Poirier William A Jr&Ireland Jacqueline C
267 350 02 00	1.00	SFD	E	1.00	1.00	\$0.00	\$0.00	Cohan Marc P&Elizabeth M
267 350 03 00	1.00	SFD	E	1.00	1.00	\$0.00	\$0.00	Jenkinson Family Trust 05-06-09
267 350 04 00	1.00	SFD	E	1.00	1.00	\$0.00	\$0.00	Sami Bijan&Adib Mahsa
267 350 05 00	1.00	SFD	E	1.00	1.00	\$0.00	\$0.00	Kurani Nimish&Anupa
267 350 06 00	1.00	SFD	E	1.00	1.00	\$0.00	\$0.00	Chang Sung S&Han Woojeong
267 350 07 00	1.00	SFD	E	1.00	1.00	\$0.00	\$0.00	Park Jae Yong&Lee Ji Young
267 350 08 00	1.00	SFD	E	1.00	1.00	\$0.00	\$0.00	Wolfson Matthew S&Heather G
267 350 09 00	1.00	SFD	E	1.00	1.00	\$0.00	\$0.00	Kenney Brett W&Kristina
267 350 10 00	1.00	SFD	E	1.00	1.00	\$0.00	\$0.00	Fletcher Nick&Stacy
267 350 11 00	1.00	SFD	E	1.00	1.00	\$0.00	\$0.00	Spittler Juleane
267 350 12 00	1.00	SFD	E	1.00	1.00	\$0.00	\$0.00	Bradshaw Michael&Stephanie
267 350 13 00	1.00	SFD	E	1.00	1.00	\$0.00	\$0.00	Simeon Richard C&Kelly M
267 350 14 00	1.00	SFD	E	1.00	1.00	\$0.00	\$0.00	Atella Revocable Family Trust
267 350 15 00	1.00	SFD	E	1.00	1.00	\$0.00	\$0.00	Gao Hongfeng&Kong Lingjun
267 350 16 00	1.00	SFD	E	1.00	1.00	\$0.00	\$0.00	Weiss Joshua
267 350 17 00	1.00	SFD	E	1.00	1.00	\$0.00	\$0.00	Budd Margaret M Living Trust 04-22-92
267 350 18 00	1.00	SFD	E	1.00	1.00	\$0.00	\$0.00	Panda Prasanjit&Sarita
267 350 29 01	1.00	SFD	D	1.00	1.00	\$0.00	\$0.00	Terry Molly
267 350 29 02	1.00	SFD	D	1.00	1.00	\$0.00	\$0.00	Gurumoorthy Krishna K&Ramachandran Srimathi
267 350 30 01	1.00	SFD	D	1.00	1.00	\$0.00	\$0.00	Rosenberg Brian M&Coleman Tara D Revocable Trust 07-14-11
267 350 30 02	1.00	SFD	D	1.00	1.00	\$0.00	\$0.00	Maupin Jason D&Lori D
267 350 31 01	1.00	SFD	D	1.00	1.00	\$0.00	\$0.00	Rubio Jose A&Patricia J
267 350 31 02	1.00	SFD	D	1.00	1.00	\$0.00	\$0.00	Bryan Maureen
267 350 32 01	1.00	SFD	D	1.00	1.00	\$0.00	\$0.00	Smith Michael D&Kari J
267 350 32 02	1.00	SFD	D	1.00	1.00	\$0.00	\$0.00	Ewalt Family Trust 11-18-96
267 350 33 01	1.00	SFD	D	1.00	1.00	\$0.00	\$0.00	Abulafia Lewis H
267 350 33 02	1.00	SFD	D	1.00	1.00	\$0.00	\$0.00	Park Sang-June&Bae Kang Yoon
267 350 34 01	1.00	SFD	D	1.00	1.00	\$0.00	\$0.00	Otto Daniel&Deborah Family Revocable Trust 04-22-10
267 350 34 02	1.00	SFD	D	1.00	1.00	\$0.00	\$0.00	Deng Jian Quan&Li Shu Fen
267 350 35 01	1.00	SFD	D	1.00	1.00	\$0.00	\$0.00	Obodovski Daniel&Rowley Danielle
267 350 35 02	1.00	SFD	D	1.00	1.00	\$0.00	\$0.00	Sonara Niles
267 350 36 01	1.00	SFD	D	1.00	1.00	\$0.00	\$0.00	Wang John Y&Alice T
267 350 36 02	1.00	SFD	D	1.00	1.00	\$0.00	\$0.00	Devalaraju Phalguna&Rangaraju Kirthi
267 350 37 01	1.00	SFD	D	1.00	1.00	\$0.00	\$0.00	Withee Brett&Krista Family 2013 Trust
267 350 37 02	1.00	SFD	D	1.00	1.00	\$0.00	\$0.00	Liao Kai Hsin&Hsu Wan Chen
267 350 38 01	1.00	SFD	D	1.00	1.00	\$0.00	\$0.00	Nussbaum Joshua
267 350 38 02	1.00	SFD	D	1.00	1.00	\$0.00	\$0.00	Teeter Family Trust 07-27-12

**EXHIBIT C - Assessment Roll (Fiscal Year 2015)**  
**Black Mountain Ranch North Maintenance Assessment District**

Parcel Number	Acres/ Units <sup>(1)</sup>	Land Use Code <sup>(2)</sup>	Zone	Land Use Factor <sup>(2)</sup>	Total EBUs	Unit Cost (\$/Ebu)	FY 2015 (3) Assessment	Owner Name
267 350 39 00	1.00	SFD	D	1.00	1.00	\$0.00	\$0.00	Doraisamy Loganathan&Gadde Padmaja
267 350 40 00	1.00	SFD	D	1.00	1.00	\$0.00	\$0.00	Azevedo Family Trust 10-19-07
267 350 41 00	1.00	SFD	D	1.00	1.00	\$0.00	\$0.00	Kelley Daniel C&Kelly O
267 350 42 00	1.00	SFD	D	1.00	1.00	\$0.00	\$0.00	Braness Revocable Trust 09-09-13
267 350 43 00	1.00	SFD	D	1.00	1.00	\$0.00	\$0.00	Davis Steven J&Oksana B Family Trust 03-20-09
267 350 44 00	1.00	SFD	D	1.00	1.00	\$0.00	\$0.00	Odero Salim&Bullock-Odero Natasha
267 350 45 00	1.00	SFD	D	1.00	1.00	\$0.00	\$0.00	Krutz Lev A&Stephanie
267 350 46 00	1.00	SFD	D	1.00	1.00	\$0.00	\$0.00	Dunlap Bruce M&Lazondra W
267 350 47 00	1.00	SFD	D	1.00	1.00	\$0.00	\$0.00	Haux Family Trust 10-03-13
267 350 48 00	1.00	SFD	D	1.00	1.00	\$0.00	\$0.00	Rigg Daynan Separate Property Trust 03-23-12
267 350 49 00	1.00	SFD	D	1.00	1.00	\$0.00	\$0.00	Derby Family Trust 08-22-02
267 350 50 00	1.00	SFD	D	1.00	1.00	\$0.00	\$0.00	Thijssen Emanuel P J
267 350 51 01	1.00	SFD	D	1.00	1.00	\$0.00	\$0.00	Smith Thomas Gerard&Loura Diana
267 350 51 02	1.00	SFD	D	1.00	1.00	\$0.00	\$0.00	Askari Kamran
267 350 52 00	1.00	SFD	D	1.00	1.00	\$0.00	\$0.00	Lock David&Theresa Living Trust 01-21-02
267 350 53 00	1.00	SFD	D	1.00	1.00	\$0.00	\$0.00	Bellezzo Joseph M
267 350 54 00	1.00	SFD	D	1.00	1.00	\$0.00	\$0.00	Ye Ming&Li Wenlin
267 350 55 00	1.00	SFD	D	1.00	1.00	\$0.00	\$0.00	Lien Vegard&Otoole Rebecca
267 350 56 00	1.00	SFD	D	1.00	1.00	\$0.00	\$0.00	Huang Fusong&Teng Suling
267 350 57 00	1.00	SFD	D	1.00	1.00	\$0.00	\$0.00	Sohn Douglas C&Cheryl L
267 350 58 00	0.21	STR	D	0.00	0.00	\$0.00	\$0.00	Del Sur Community Association
267 350 59 00	0.31	STR	D	0.00	0.00	\$0.00	\$0.00	Del Sur Community Assn
267 350 60 00	0.35	STR	E	0.00	0.00	\$0.00	\$0.00	Del Sur Community Assn
267 350 61 00	0.21	STR	E	0.00	0.00	\$0.00	\$0.00	Delsur Community Assn
267 350 62 00	0.05	STR	D	0.00	0.00	\$0.00	\$0.00	Del Sur Community Assn
267 350 63 00	1.00	SFD	E	1.00	1.00	\$0.00	\$0.00	Trieu Nguyen&Nguyen Xuan
267 350 64 00	1.00	SFD	E	1.00	1.00	\$0.00	\$0.00	Sastrula Venkata R K&Brahmanapally Jyothsna
267 350 65 00	1.00	SFD	E	1.00	1.00	\$0.00	\$0.00	Oltikar Akhil&Bhatia Anisha
267 350 66 00	1.00	SFD	E	1.00	1.00	\$0.00	\$0.00	Kwon Oh Hyung&Shin Hee Sun
267 350 67 00	1.00	SFD	E	1.00	1.00	\$0.00	\$0.00	Crabbe Kevin L&Elke W
267 350 68 00	1.00	SFD	E	1.00	1.00	\$0.00	\$0.00	Bovshow Family Trust 05-03-13
267 350 69 00	1.00	SFD	E	1.00	1.00	\$0.00	\$0.00	Song Danny&Kristine
267 350 70 00	1.00	SFD	E	1.00	1.00	\$0.00	\$0.00	Abbound John S&Kristen L
267 350 71 00	1.00	SFD	E	1.00	1.00	\$0.00	\$0.00	Langenbach Juergen&Thomas Lynne D
267 350 72 00	1.00	SFD	E	1.00	1.00	\$0.00	\$0.00	Brittain Family Trust 07-29-08
267 350 73 00	1.00	SFD	E	1.00	1.00	\$0.00	\$0.00	Molsenbocker Deanne L Trust 06-03-05
267 350 74 00	1.00	SFD	E	1.00	1.00	\$0.00	\$0.00	Kahle Lisa M Family Trust 09-24-13
267 350 75 00	1.00	SFD	E	1.00	1.00	\$0.00	\$0.00	Catubig Rainier C&Amelia S
267 350 76 00	1.00	SFD	E	1.00	1.00	\$0.00	\$0.00	Coffield Karen D
267 350 77 00	1.00	SFD	E	1.00	1.00	\$0.00	\$0.00	Lowdermilk Robert W Jr&Sara M
267 350 78 00	1.00	SFD	E	1.00	1.00	\$0.00	\$0.00	Poojary&Nandalike Family Trust 05-26-13
267 350 79 00	1.00	SFD	E	1.00	1.00	\$0.00	\$0.00	Hameed Hafiz I&Saeed Asma
267 350 80 00	1.00	SFD	E	1.00	1.00	\$0.00	\$0.00	Topolovac Robert F&Eleanor R Trust 02-25-92
267 350 81 00	1.00	SFD	E	1.00	1.00	\$0.00	\$0.00	Tongle Anand&Apoorva
267 350 82 00	1.00	SFD	E	1.00	1.00	\$0.00	\$0.00	Columbia Hotel Inc
267 360 01 00	1.00	SFD	E	1.00	1.00	\$0.00	\$0.00	Lindestaf Trust 05-02-11
267 360 02 00	1.00	SFD	E	1.00	1.00	\$0.00	\$0.00	Sadri Reza
267 360 03 00	1.00	SFD	E	1.00	1.00	\$0.00	\$0.00	Eigner Erick D&Eva T
267 360 04 00	1.00	SFD	E	1.00	1.00	\$0.00	\$0.00	Gonzales Edmund S&Darcy S
267 360 05 00	1.00	SFD	E	1.00	1.00	\$0.00	\$0.00	Li Fang
267 360 06 00	1.00	SFD	E	1.00	1.00	\$0.00	\$0.00	Yu Sang Cheol&Kang Sung Hee
267 360 07 00	1.00	SFD	E	1.00	1.00	\$0.00	\$0.00	Rangasamy Saravanan M&Rajaram Prathibha M
267 360 08 00	1.00	SFD	E	1.00	1.00	\$0.00	\$0.00	Lewis Family Trust 10-27-98
267 360 09 00	1.00	SFD	E	1.00	1.00	\$0.00	\$0.00	Koenig Steven F&Dana
267 360 10 00	1.00	SFD	E	1.00	1.00	\$0.00	\$0.00	Gonzales Rafael&Christmas V
267 360 11 00	1.00	SFD	E	1.00	1.00	\$0.00	\$0.00	Heaverlo Christopher J&Jennifer A
267 360 12 00	1.00	SFD	E	1.00	1.00	\$0.00	\$0.00	Sun Haitong
267 360 13 00	1.00	SFD	E	1.00	1.00	\$0.00	\$0.00	Ye Tao&Liu Yanzheng
267 360 14 00	1.00	SFD	E	1.00	1.00	\$0.00	\$0.00	Dhanasekaran Vijayakumar&Anbarasan Amrita P



**EXHIBIT C - Assessment Roll (Fiscal Year 2015)**  
**Black Mountain Ranch North Maintenance Assessment District**

Parcel Number	Acres/ Units <sup>(1)</sup>	Land Use Code <sup>(2)</sup>	Zone	Land Use Factor <sup>(2)</sup>	Total EBUs	Unit Cost (\$/EUBU)	FY 2015 (3) Assessment	Owner Name
267 360 15 00	1.00	SFD	E	1.00	1.00	\$0.00	\$0.00	Kunnambath Sujeet&Nambiar Sreetha
267 360 16 00	1.00	SFD	E	1.00	1.00	\$0.00	\$0.00	Quijada Luis A&Contreras Maria M
267 360 17 00	1.00	SFD	E	1.00	1.00	\$0.00	\$0.00	Szlanko Eric N&Stacey M
267 360 18 00	1.00	SFD	E	1.00	1.00	\$0.00	\$0.00	Toth James J&Heather K
267 360 19 00	1.00	SFD	E	1.00	1.00	\$0.00	\$0.00	Davenport Clyde
267 360 20 00	1.00	SFD	E	1.00	1.00	\$0.00	\$0.00	Askenazi Eyal
267 360 21 00	1.00	SFD	E	1.00	1.00	\$0.00	\$0.00	Luo Congnan&Li Ni
267 360 22 00	1.00	SFD	E	1.00	1.00	\$0.00	\$0.00	Chin Lane
267 360 23 00	1.00	SFD	E	1.00	1.00	\$0.00	\$0.00	Sauer Dietmar&Luigina
267 360 24 00	1.00	SFD	E	1.00	1.00	\$0.00	\$0.00	Miller Ian J&Martin-Miller Erica G H
267 360 25 00	1.00	SFD	E	1.00	1.00	\$0.00	\$0.00	Arora Amarpal S&Aretz Danielle H
267 360 26 00	1.00	SFD	E	1.00	1.00	\$0.00	\$0.00	Hoong Nien Cong&Szeto Sheirman
267 360 27 00	1.00	SFD	E	1.00	1.00	\$0.00	\$0.00	Badillo Brian&Jocelyn
267 360 28 00	1.00	SFD	E	1.00	1.00	\$0.00	\$0.00	Espino Steve&Sandra L
267 360 29 00	1.00	SFD	E	1.00	1.00	\$0.00	\$0.00	Nicol Maija C
267 360 30 00	1.00	SFD	E	1.00	1.00	\$0.00	\$0.00	Holly Jeremy D
267 360 31 00	1.00	SFD	E	1.00	1.00	\$0.00	\$0.00	Gildred Elizabeth A
267 360 32 00	1.00	SFD	E	1.00	1.00	\$0.00	\$0.00	Hayes Ruth F Trust 03-28-96
267 360 33 00	1.00	SFD	E	1.00	1.00	\$0.00	\$0.00	Chin Hsiao-Yi&Lin Annie I Chun
267 360 34 00	1.00	SFD	E	1.00	1.00	\$0.00	\$0.00	Zhai Yufeng&Zhang Hong
267 360 35 00	1.00	SFD	E	1.00	1.00	\$0.00	\$0.00	Azizov Boris&Tamara
267 360 36 00	1.00	SFD	E	1.00	1.00	\$0.00	\$0.00	Tan Ty&Marie
267 360 37 00	1.00	SFD	E	1.00	1.00	\$0.00	\$0.00	Mano Quintino R Iii&Kristen E J
267 360 38 00	1.00	SFD	E	1.00	1.00	\$0.00	\$0.00	Harms Bradley J&Susan L
267 360 39 00	1.00	SFD	E	1.00	1.00	\$0.00	\$0.00	Waldrop Family Trust 01-19-13
267 360 40 00	1.00	SFD	E	1.00	1.00	\$0.00	\$0.00	Willis Daniel A&Lynn M
267 360 41 00	1.00	SFD	E	1.00	1.00	\$0.00	\$0.00	Pierson Donald A&Sharp-Pierson Andrea G
267 360 42 00	1.00	SFD	E	1.00	1.00	\$0.00	\$0.00	Halls Tricia G&Mathew D 2011 Revocable Living Trust 01-07-11
267 360 43 00	1.00	SFD	E	1.00	1.00	\$0.00	\$0.00	Theberge Gaston&Barbara A
267 360 44 00	1.00	SFD	E	1.00	1.00	\$0.00	\$0.00	Shrader Adam&Lauren
267 360 45 00	1.00	SFD	E	1.00	1.00	\$0.00	\$0.00	Maroju Praveen&Aruri Jayavani
267 360 46 00	1.00	SFD	E	1.00	1.00	\$0.00	\$0.00	Felipe April
267 360 47 00	1.00	SFD	E	1.00	1.00	\$0.00	\$0.00	Taleppady Anil&Vidya
267 360 48 00	1.00	SFD	E	1.00	1.00	\$0.00	\$0.00	Reiter David&Khoh-Reiter Su
267 360 49 00	1.00	SFD	E	1.00	1.00	\$0.00	\$0.00	Huang Diana Di
267 360 50 00	1.00	SFD	E	1.00	1.00	\$0.00	\$0.00	Wallace John R&Michelle L
267 360 51 00	1.00	SFD	E	1.00	1.00	\$0.00	\$0.00	Arora Gautam&Neha
267 360 52 00	1.00	SFD	E	1.00	1.00	\$0.00	\$0.00	Truong Vien
267 360 53 00	1.00	SFD	E	1.00	1.00	\$0.00	\$0.00	Levy Jason R&Katie L
267 360 54 00	1.00	SFD	E	1.00	1.00	\$0.00	\$0.00	Marchant Dean C&Carly
267 360 55 00	1.00	SFD	E	1.00	1.00	\$0.00	\$0.00	Wong Waisan&Liu Aurora X
267 360 56 00	1.00	SFD	E	1.00	1.00	\$0.00	\$0.00	Vo Dang M&Katie L A B Living Trust 03-23-06
267 360 57 00	1.00	SFD	E	1.00	1.00	\$0.00	\$0.00	Dalton William&Kelly Trust 12-19-11
267 360 58 00	1.00	SFD	E	1.00	1.00	\$0.00	\$0.00	Caban Benito&Acevedo Ruth-Ann
267 360 59 00	1.00	SFD	E	1.00	1.00	\$0.00	\$0.00	Vahia Varin&Bhatt Kadambi
267 360 60 00	1.00	SFD	E	1.00	1.00	\$0.00	\$0.00	Hampton Family Trust
267 360 61 00	1.00	SFD	E	1.00	1.00	\$0.00	\$0.00	Ripley Robert Jr&Alison
267 360 62 00	1.00	SFD	E	1.00	1.00	\$0.00	\$0.00	S&S Family Trust 11-11-11
267 360 63 00	1.00	SFD	E	1.00	1.00	\$0.00	\$0.00	Barlow David&Debra
267 360 64 00	1.00	SFD	E	1.00	1.00	\$0.00	\$0.00	Cucinotta Elizabeth
267 360 65 00	1.00	SFD	E	1.00	1.00	\$0.00	\$0.00	Starr Horace J&Nicki J
267 360 66 00	1.00	SFD	E	1.00	1.00	\$0.00	\$0.00	Saad Mark E&Nyree H
267 360 67 00	1.00	SFD	E	1.00	1.00	\$0.00	\$0.00	Ruan Willie&Huang Helen Family Trust 02-11-09
267 360 68 00	1.00	SFD	E	1.00	1.00	\$0.00	\$0.00	Csuja Gilbert M&Monica
267 360 69 00	1.00	SFD	E	1.00	1.00	\$0.00	\$0.00	Bickler Stephen&Clare
267 360 70 00	1.00	SFD	E	1.00	1.00	\$0.00	\$0.00	Matthews Stephen T&Kathryn V Family Revocable Intervivos Trus
267 360 71 00	1.00	SFD	E	1.00	1.00	\$0.00	\$0.00	Hitchcock Family Trust 12-22-09
267 360 72 00	1.00	SFD	E	1.00	1.00	\$0.00	\$0.00	Rinderknecht William J&Stephanie
267 360 73 00	1.00	SFD	E	1.00	1.00	\$0.00	\$0.00	Libby Peter A&Constance D

**EXHIBIT C - Assessment Roll (Fiscal Year 2015)**  
**Black Mountain Ranch North Maintenance Assessment District**

Parcel Number	Acres/ Units <sup>(1)</sup>	Land Use Code <sup>(2)</sup>	Zone	Land Use Factor <sup>(2)</sup>	Total EBUs	Unit Cost (\$/EUBU)	FY 2015 (3) Assessment	Owner Name
267 360 74 00	1.72	STR	E	0.00	0.00	\$0.00	\$0.00	Black Mountain Ranch L L C
267 360 75 00	0.32	STR	E	0.00	0.00	\$0.00	\$0.00	Del Sur Community Assn
267 360 76 00	0.32	STR	E	0.00	0.00	\$0.00	\$0.00	Del Sur Community Assn
267 360 77 00	1.48	PKU	E	0.50	0.74	\$0.00	\$0.00	Black Mountain Ranch L L C
267 360 78 00	0.01	OSP	E	0.00	0.00	\$0.00	\$0.00	Del Sur Community Assn
267 360 79 00	0.08	OSP	E	0.00	0.00	\$0.00	\$0.00	Del Sur Community Association
267 360 80 00	0.20	OSP	E	0.00	0.00	\$0.00	\$0.00	Del Sur Community Association
267 360 81 00	0.03	OSP	E	0.00	0.00	\$0.00	\$0.00	Del Sur Community Assn
267 360 82 00	0.03	OSP	E	0.00	0.00	\$0.00	\$0.00	Del Sur Community Assn
267 360 83 00	1.83	OSP	E	0.00	0.00	\$0.00	\$0.00	Del Sur Community Assn
267 360 84 00	1.91	PKU	E	0.50	0.96	\$0.00	\$0.00	Black Mountain Ranch L L C
267 361 01 00	1.00	SFD	E	1.00	1.00	\$0.00	\$0.00	Wilson William R&Michelle Q
267 361 02 00	1.00	SFD	E	1.00	1.00	\$0.00	\$0.00	Peerbolte Gregory J
267 361 03 00	1.00	SFD	E	1.00	1.00	\$0.00	\$0.00	Liu Yi&Li Xuan
267 361 04 00	1.00	SFD	E	1.00	1.00	\$0.00	\$0.00	Chao Edward C&Sarah K
267 361 05 00	1.00	SFD	E	1.00	1.00	\$0.00	\$0.00	Cook Thuy
267 361 06 00	1.00	SFD	E	1.00	1.00	\$0.00	\$0.00	Bender Family Trust 08-15-03
267 361 07 00	1.00	SFD	E	1.00	1.00	\$0.00	\$0.00	Baini Domingo&Elise
267 361 08 00	1.00	SFD	E	1.00	1.00	\$0.00	\$0.00	Patterson Timothy&Pamela Revocable 2011 Trust
267 361 09 00	1.00	SFD	E	1.00	1.00	\$0.00	\$0.00	Haldeman Jennifer
267 361 10 00	1.00	SFD	E	1.00	1.00	\$0.00	\$0.00	Butler Traci
267 361 11 00	1.00	SFD	E	1.00	1.00	\$0.00	\$0.00	Guy Kristen L
267 361 12 00	1.00	SFD	E	1.00	1.00	\$0.00	\$0.00	Milazzo Paul A
267 361 13 00	1.00	SFD	E	1.00	1.00	\$0.00	\$0.00	Meijers Neville&Megan
267 361 14 00	1.00	SFD	E	1.00	1.00	\$0.00	\$0.00	Vakil Ishfan&Buchh Shimayla
267 361 15 00	1.00	SFD	E	1.00	1.00	\$0.00	\$0.00	Walton Christopher C&Shauna M
267 361 16 00	1.00	SFD	E	1.00	1.00	\$0.00	\$0.00	Hernandez Christopher&Ana
267 361 17 00	1.00	SFD	E	1.00	1.00	\$0.00	\$0.00	Stein Family Trust 06-24-07
267 361 18 00	1.00	SFD	E	1.00	1.00	\$0.00	\$0.00	Chan Harold H&Gaviola-Chan Tina M
267 361 19 00	1.00	SFD	E	1.00	1.00	\$0.00	\$0.00	Demartini Robert A
267 361 20 00	1.00	SFD	E	1.00	1.00	\$0.00	\$0.00	Youngflesh Family Trust 02-23-02
267 361 21 00	1.00	SFD	E	1.00	1.00	\$0.00	\$0.00	Zheng Xinping&Chen Xiaoping
267 361 22 00	1.00	SFD	E	1.00	1.00	\$0.00	\$0.00	Mohan Madav S M&Kumar Aparna
267 361 23 00	1.00	SFD	E	1.00	1.00	\$0.00	\$0.00	Gul Bahadir&Meltem S
267 361 24 00	1.00	SFD	E	1.00	1.00	\$0.00	\$0.00	Arp Kevin&Ramezani Roxana
267 361 25 00	1.00	SFD	E	1.00	1.00	\$0.00	\$0.00	Campbell Brian E&Kelly
267 361 26 00	1.00	SFD	E	1.00	1.00	\$0.00	\$0.00	Florea Serban&Selaru Paulina
267 361 27 00	1.00	SFD	E	1.00	1.00	\$0.00	\$0.00	Sun Ying
267 361 28 00	1.00	SFD	E	1.00	1.00	\$0.00	\$0.00	Hayes Casey T&Kristi
267 361 29 00	1.00	SFD	E	1.00	1.00	\$0.00	\$0.00	Bramble Mark A&Powell Julia A
267 361 30 00	1.00	SFD	E	1.00	1.00	\$0.00	\$0.00	Tullius Lance R&Jennifer R
267 361 31 00	1.00	SFD	E	1.00	1.00	\$0.00	\$0.00	Svetlik Robert S&Larmie M
267 361 32 00	1.00	SFD	E	1.00	1.00	\$0.00	\$0.00	Angelly Kenneth A&Tracy S
267 361 33 00	1.00	SFD	E	1.00	1.00	\$0.00	\$0.00	Nasrallah Fady S&Saliba Rita
267 361 34 00	1.00	SFD	E	1.00	1.00	\$0.00	\$0.00	Mckittrick Todd A&Kimberly L
267 361 35 00	1.00	SFD	E	1.00	1.00	\$0.00	\$0.00	Hua Jun&Li Jun
267 361 36 00	1.00	SFD	E	1.00	1.00	\$0.00	\$0.00	Zhao Catherine Pu
267 361 37 00	1.00	SFD	E	1.00	1.00	\$0.00	\$0.00	Thotakura Sunil K&Baweja Preeti
267 361 38 00	1.00	SFD	E	1.00	1.00	\$0.00	\$0.00	Culmo James M
267 361 39 00	1.00	SFD	E	1.00	1.00	\$0.00	\$0.00	Manor Owen L&Julie M
267 361 40 00	1.00	SFD	E	1.00	1.00	\$0.00	\$0.00	Jergensen Joshua O&Aarean L
267 361 41 00	1.00	SFD	E	1.00	1.00	\$0.00	\$0.00	Vaidyanathan Balaji&Aswath Dipti
267 361 42 00	1.00	SFD	E	1.00	1.00	\$0.00	\$0.00	Tomko Scott&Michelle
267 361 43 00	1.00	SFD	E	1.00	1.00	\$0.00	\$0.00	Tseng Yi-Hung&Chou Jaime
267 361 44 00	1.00	SFD	E	1.00	1.00	\$0.00	\$0.00	Sage Christopher M&Catherine C
267 361 45 00	1.00	SFD	E	1.00	1.00	\$0.00	\$0.00	Carlberg Jeffrey M&Michelle M
267 361 46 00	1.00	SFD	E	1.00	1.00	\$0.00	\$0.00	Jaiswal Rakesh K&Shikha
267 361 47 00	1.00	SFD	E	1.00	1.00	\$0.00	\$0.00	Le Richard
267 361 48 00	1.00	SFD	E	1.00	1.00	\$0.00	\$0.00	Ahuja Sandeep&Sonia

**EXHIBIT C - Assessment Roll (Fiscal Year 2015)**  
**Black Mountain Ranch North Maintenance Assessment District**

Parcel Number	Acres/ Units <sup>(1)</sup>	Land Use Code <sup>(2)</sup>	Zone	Land Use Factor <sup>(2)</sup>	Total EBUs	Unit Cost (\$/EUBU)	FY 2015 (3) Assessment	Owner Name
267 361 49 00	1.00	SFD	E	1.00	1.00	\$0.00	\$0.00	Loganathan Harinathan&Kannan Swapna
267 361 50 00	1.00	SFD	E	1.00	1.00	\$0.00	\$0.00	Schraven Ted&Ruth
267 361 51 00	1.00	SFD	E	1.00	1.00	\$0.00	\$0.00	Spic Del Sur L L C
267 361 52 00	1.00	SFD	E	1.00	1.00	\$0.00	\$0.00	Spic Del Sur L L C
267 361 53 00	1.00	SFD	E	1.00	1.00	\$0.00	\$0.00	Spic Del Sur L L C
267 361 54 00	1.00	SFD	E	1.00	1.00	\$0.00	\$0.00	Chen Ming Chun&Ren Zhi
267 361 55 00	1.00	SFD	E	1.00	1.00	\$0.00	\$0.00	Asgari Mohammad A&Fereshteh
267 361 56 00	1.00	SFD	E	1.00	1.00	\$0.00	\$0.00	Lau Kelvin Hok&King Ya-Ling
267 361 57 00	1.00	SFD	E	1.00	1.00	\$0.00	\$0.00	Estrada Lindsay R&Justina M
267 361 58 00	1.00	SFD	E	1.00	1.00	\$0.00	\$0.00	Trivedi Tejus R&Riddhish S
267 361 59 00	1.00	SFD	E	1.00	1.00	\$0.00	\$0.00	Davuluri Gandhi&Chitturi Swathi
267 361 60 00	0.15	STR	E	0.00	0.00	\$0.00	\$0.00	Del Sur Community Assn
267 361 61 00	0.71	PKU	E	0.50	0.36	\$0.00	\$0.00	Black Mountain Ranch L L C
267 361 62 00	0.36	OSP	E	0.00	0.00	\$0.00	\$0.00	Del Sur Community Assn
267 361 63 00	0.05	OSP	E	0.00	0.00	\$0.00	\$0.00	Del Sur Community Assn
267 361 64 00	0.15	OSP	E	0.00	0.00	\$0.00	\$0.00	Del Sur Community Assn
267 361 65 00	0.03	OSP	E	0.00	0.00	\$0.00	\$0.00	Del Sur Community Assn
267 361 66 00	0.20	OSP	E	0.00	0.00	\$0.00	\$0.00	Black Mountain Ranch L L C
267 362 01 00	1.00	SFD	E	1.00	1.00	\$0.00	\$0.00	Lagrossa James M&Barbara A
267 362 02 00	1.00	SFD	E	1.00	1.00	\$0.00	\$0.00	Bui Steve T&Miller Kimberly J
267 362 03 00	1.00	SFD	E	1.00	1.00	\$0.00	\$0.00	Mccluer Family Living Trust 07-09-12
267 362 04 00	1.00	SFD	E	1.00	1.00	\$0.00	\$0.00	Spic Del Sur L L C
267 362 05 00	1.00	SFD	E	1.00	1.00	\$0.00	\$0.00	Spic Del Sur L L C
267 362 06 00	1.00	SFD	E	1.00	1.00	\$0.00	\$0.00	Spic Del Sur L L C
267 362 07 00	1.00	SFD	E	1.00	1.00	\$0.00	\$0.00	Spic Del Sur L L C
267 362 08 00	1.00	SFD	E	1.00	1.00	\$0.00	\$0.00	Spic Del Sur L L C
267 362 09 00	1.00	SFD	E	1.00	1.00	\$0.00	\$0.00	Spic Del Sur L L C
267 362 10 00	1.00	SFD	E	1.00	1.00	\$0.00	\$0.00	Spic Del Sur L L C
267 362 11 00	1.00	SFD	E	1.00	1.00	\$0.00	\$0.00	Spic Del Sur L L C
267 362 12 00	1.00	SFD	E	1.00	1.00	\$0.00	\$0.00	Spic Del Sur L L C
267 362 13 00	1.00	SFD	E	1.00	1.00	\$0.00	\$0.00	Spic Del Sur L L C
267 362 14 00	1.00	SFD	E	1.00	1.00	\$0.00	\$0.00	Spic Del Sur L L C
267 362 15 00	1.00	SFD	E	1.00	1.00	\$0.00	\$0.00	Mackinlay Family Trust 06-10-10
267 362 16 00	1.00	SFD	E	1.00	1.00	\$0.00	\$0.00	Spic Del Sur L L C
267 362 17 00	1.00	SFD	E	1.00	1.00	\$0.00	\$0.00	Jensen Joseph&Trisha
267 362 18 00	1.00	SFD	E	1.00	1.00	\$0.00	\$0.00	Jundt Kyle&Karina D
267 362 19 00	1.00	SFD	E	1.00	1.00	\$0.00	\$0.00	Spic Del Sur L L C
267 362 20 00	1.00	SFD	E	1.00	1.00	\$0.00	\$0.00	Ridge Trust 08-28-13
267 362 21 00	1.00	SFD	E	1.00	1.00	\$0.00	\$0.00	Shalon Kevin&Samantha
267 362 22 00	1.00	SFD	E	1.00	1.00	\$0.00	\$0.00	Chang Alexander T
267 362 23 00	1.00	SFD	E	1.00	1.00	\$0.00	\$0.00	Spic Del Sur L L C
267 362 24 00	1.00	SFD	E	1.00	1.00	\$0.00	\$0.00	Ratray Jason&Kristina M
267 362 25 00	1.00	SFD	E	1.00	1.00	\$0.00	\$0.00	Currier Paul&Kristine
267 362 26 00	1.00	SFD	E	1.00	1.00	\$0.00	\$0.00	Khandelwal Girish&Pharkya Priti
267 362 27 00	1.00	SFD	E	1.00	1.00	\$0.00	\$0.00	Huott Patrick A&Karen L
267 362 28 00	1.00	SFD	E	1.00	1.00	\$0.00	\$0.00	Dang Hai&Nguyen Thao
267 362 29 00	1.00	SFD	E	1.00	1.00	\$0.00	\$0.00	Zhou Minhua&Yu Yanqing
267 362 30 00	1.00	SFD	E	1.00	1.00	\$0.00	\$0.00	Sundar Shyam&Gandhimathi
267 362 31 00	1.00	SFD	E	1.00	1.00	\$0.00	\$0.00	Gannon Joseph P&Morgan-Gannon Sally J
267 362 32 00	1.00	SFD	E	1.00	1.00	\$0.00	\$0.00	Pohle Jr Family Trust 11-18-04
267 362 33 00	1.00	SFD	E	1.00	1.00	\$0.00	\$0.00	Ratray Jason&Kristina
267 362 34 00	1.00	SFD	E	1.00	1.00	\$0.00	\$0.00	Williams Family Trust 05-02-13
267 362 35 00	1.00	SFD	E	1.00	1.00	\$0.00	\$0.00	S&A San Diego L L C
267 362 36 00	1.00	SFD	E	1.00	1.00	\$0.00	\$0.00	Warner Ingemar S&Julie P
267 362 37 00	1.00	SFD	E	1.00	1.00	\$0.00	\$0.00	Welch Gary K&Rebecca D
267 362 38 00	1.00	SFD	E	1.00	1.00	\$0.00	\$0.00	Turner Brian T
267 362 39 00	1.00	SFD	E	1.00	1.00	\$0.00	\$0.00	Smith Family Trust 10-12-05
267 362 40 00	1.00	SFD	E	1.00	1.00	\$0.00	\$0.00	Swartzentruber Jon L&Trent Jane M
267 362 41 00	1.00	SFD	E	1.00	1.00	\$0.00	\$0.00	Broquard Dean J Revocable Trust 07-23-03

**EXHIBIT C - Assessment Roll (Fiscal Year 2015)**  
**Black Mountain Ranch North Maintenance Assessment District**

Parcel Number	Acres/ Units <sup>(1)</sup>	Land Use Code <sup>(2)</sup>	Zone	Land Use Factor <sup>(2)</sup>	Total EBUs	Unit Cost (\$/Ebu)	FY 2015 (3) Assessment	Owner Name
267 362 42 00	1.00	SFD	E	1.00	1.00	\$0.00	\$0.00	Deschamps Family Trust 01-09-12
267 362 43 00	1.00	SFD	E	1.00	1.00	\$0.00	\$0.00	Mojaver Family Trust 09-26-00
267 362 44 00	1.00	SFD	E	1.00	1.00	\$0.00	\$0.00	Eichhoff-Bergmann Trust 04-04-11
267 362 45 00	1.00	SFD	E	1.00	1.00	\$0.00	\$0.00	Scott Clifton E&Melissa L
267 362 46 00	1.00	SFD	E	1.00	1.00	\$0.00	\$0.00	Murphy Family Trust 10-21-00
267 362 47 00	1.00	SFD	E	1.00	1.00	\$0.00	\$0.00	C L M Trust 01-03-12
267 362 48 00	1.00	SFD	E	1.00	1.00	\$0.00	\$0.00	Wilson Brian M&Sarah J
267 362 49 00	1.00	SFD	E	1.00	1.00	\$0.00	\$0.00	Mann James I&Rochelle C
267 362 50 00	1.00	SFD	E	1.00	1.00	\$0.00	\$0.00	Zhou Zhengyu&Zhu Min
267 362 51 00	1.00	SFD	E	1.00	1.00	\$0.00	\$0.00	Bonamour Gregory&Samantha
267 362 52 00	1.00	SFD	E	1.00	1.00	\$0.00	\$0.00	Swanson Timothy J&Sara J
267 362 53 00	1.00	SFD	E	1.00	1.00	\$0.00	\$0.00	Cerasuolo Anthony&Jacquelyn Trust 02-03-11
267 362 54 00	1.00	SFD	E	1.00	1.00	\$0.00	\$0.00	Westphal-Siblesz Family Trust 03-29-99
267 362 55 00	1.00	SFD	E	1.00	1.00	\$0.00	\$0.00	Hossain Asif&Hussain Naila
267 362 56 00	1.00	SFD	E	1.00	1.00	\$0.00	\$0.00	Assi Hani A&Tina R
267 362 57 00	0.08	STR	E	0.00	0.00	\$0.00	\$0.00	Del Sur Community Assn
267 362 58 00	1.52	STR	E	0.00	0.00	\$0.00	\$0.00	Black Mountain Ranch L L C
267 362 59 00	0.10	STR	E	0.00	0.00	\$0.00	\$0.00	Del Sur Community Assn
267 362 60 00	0.16	STR	E	0.00	0.00	\$0.00	\$0.00	Del Sur Community Assn
267 362 61 00	0.35	OSP	E	0.00	0.00	\$0.00	\$0.00	Black Mountain Ranch L L C
267 362 62 00	1.14	OSP	E	0.00	0.00	\$0.00	\$0.00	Del Sur Community Assn
267 362 63 00	0.05	OSP	E	0.00	0.00	\$0.00	\$0.00	Black Mountain Ranch L L C
267 362 64 00	0.10	OSP	E	0.00	0.00	\$0.00	\$0.00	Del Sur Community Assn
267 362 65 00	0.35	STR	E	0.00	0.00	\$0.00	\$0.00	Del Sur Community Assn
267 363 01 00	1.00	SFD	E	1.00	1.00	\$0.00	\$0.00	Spic Del Sur L L C
267 363 02 00	1.00	SFD	E	1.00	1.00	\$0.00	\$0.00	Spic Del Sur L L C
267 363 03 00	1.00	SFD	E	1.00	1.00	\$0.00	\$0.00	Spic Del Sur L L C
267 363 04 00	1.00	SFD	E	1.00	1.00	\$0.00	\$0.00	Spic Del Sur L L C
267 363 05 00	1.00	SFD	E	1.00	1.00	\$0.00	\$0.00	Spic Del Sur L L C
267 363 06 00	1.00	SFD	E	1.00	1.00	\$0.00	\$0.00	Spic Del Sur L L C
267 363 07 00	1.00	SFD	E	1.00	1.00	\$0.00	\$0.00	Spic Del Sur L L C
267 363 08 00	1.00	SFD	E	1.00	1.00	\$0.00	\$0.00	Spic Del Sur L L C
267 363 21 00	1.10	OSP	E	0.00	0.00	\$0.00	\$0.00	Black Mountain Ranch L L C
267 363 23 00	1.00	SFD	E	1.00	1.00	\$0.00	\$0.00	Brookfield D S 51 L L C
267 363 24 00	1.00	SFD	E	1.00	1.00	\$0.00	\$0.00	Brookfield D S 51 L L C
267 363 25 00	1.00	SFD	E	1.00	1.00	\$0.00	\$0.00	Brookfield D S 51 L L C
267 363 26 00	1.00	SFD	E	1.00	1.00	\$0.00	\$0.00	Brookfield D S 51 L L C
267 363 27 00	1.00	SFD	E	1.00	1.00	\$0.00	\$0.00	Brookfield D S 51 L L C
267 363 28 00	1.00	SFD	E	1.00	1.00	\$0.00	\$0.00	Brookfield D S 51 L L C
267 363 29 00	1.00	SFD	E	1.00	1.00	\$0.00	\$0.00	Brookfield D S 51 L L C
267 363 30 00	1.00	SFD	E	1.00	1.00	\$0.00	\$0.00	Brookfield D S 51 L L C
267 363 31 00	1.00	SFD	E	1.00	1.00	\$0.00	\$0.00	Brookfield D S 51 L L C
267 363 32 00	1.00	SFD	E	1.00	1.00	\$0.00	\$0.00	Brookfield D S 51 L L C
267 363 33 00	0.23	OSP	E	0.00	0.00	\$0.00	\$0.00	Black Mountain Ranch L L C
267 363 34 00	2.54	OSP	E	0.00	0.00	\$0.00	\$0.00	Black Mountain Ranch L L C
267 363 35 00	0.15	STR	E	0.00	0.00	\$0.00	\$0.00	Brookfield D S 51 L L C
267 364 01 00	1.00	SFD	E	1.00	1.00	\$0.00	\$0.00	Black Mountain Ranch L L C
267 364 08 00	1.00	SFD	E	1.00	1.00	\$0.00	\$0.00	Black Mountain Ranch L L C
267 364 09 00	1.00	SFD	E	1.00	1.00	\$0.00	\$0.00	Black Mountain Ranch L L C
267 364 16 00	1.00	SFD	E	1.00	1.00	\$0.00	\$0.00	Black Mountain Ranch L L C
267 364 17 00	1.00	SFD	E	1.00	1.00	\$0.00	\$0.00	Black Mountain Ranch L L C
267 364 18 00	1.00	SFD	E	1.00	1.00	\$0.00	\$0.00	Black Mountain Ranch L L C
267 364 19 00	1.00	SFD	E	1.00	1.00	\$0.00	\$0.00	Black Mountain Ranch L L C
267 364 20 00	1.00	SFD	E	1.00	1.00	\$0.00	\$0.00	Black Mountain Ranch L L C
267 364 21 00	0.12	STR	E	0.00	0.00	\$0.00	\$0.00	Black Mountain Ranch L L C
267 364 22 00	0.25	OSP	E	0.00	0.00	\$0.00	\$0.00	Black Mountain Ranch L L C
267 364 23 00	0.08	OSP	E	0.00	0.00	\$0.00	\$0.00	Black Mountain Ranch L L C
267 364 24 00	0.12	OSP	E	0.00	0.00	\$0.00	\$0.00	Black Mountain Ranch L L C
267 364 26 00	0.14	STR	E	0.00	0.00	\$0.00	\$0.00	Black Mountain Ranch L L C

**EXHIBIT C - Assessment Roll (Fiscal Year 2015)**  
**Black Mountain Ranch North Maintenance Assessment District**

Parcel Number	Acres/ Units <sup>(1)</sup>	Land Use Code <sup>(2)</sup>	Zone	Land Use Factor <sup>(2)</sup>	Total EBUs	Unit Cost (\$/EUBU)	FY 2015 (3) Assessment	Owner Name
267 364 27 00	1.00	SFD	E	1.00	1.00	\$0.00	\$0.00	Black Mountain Ranch L L C
267 364 28 00	1.00	SFD	E	1.00	1.00	\$0.00	\$0.00	Black Mountain Ranch L L C
267 364 29 00	1.00	SFD	E	1.00	1.00	\$0.00	\$0.00	Black Mountain Ranch L L C
267 364 30 00	1.00	SFD	E	1.00	1.00	\$0.00	\$0.00	Black Mountain Ranch L L C
267 364 31 00	1.00	SFD	E	1.00	1.00	\$0.00	\$0.00	Black Mountain Ranch L L C
267 364 32 00	1.00	SFD	E	1.00	1.00	\$0.00	\$0.00	Black Mountain Ranch L L C
267 364 33 00	1.00	SFD	E	1.00	1.00	\$0.00	\$0.00	Black Mountain Ranch L L C
267 364 34 00	1.00	SFD	E	1.00	1.00	\$0.00	\$0.00	Black Mountain Ranch L L C
267 364 35 00	1.00	SFD	E	1.00	1.00	\$0.00	\$0.00	Black Mountain Ranch L L C
267 364 36 00	1.00	SFD	E	1.00	1.00	\$0.00	\$0.00	Black Mountain Ranch L L C
267 364 37 00	1.00	SFD	E	1.00	1.00	\$0.00	\$0.00	Black Mountain Ranch L L C
267 364 38 00	1.00	SFD	E	1.00	1.00	\$0.00	\$0.00	Black Mountain Ranch L L C
267 364 39 00	4.29	OSP	E	0.00	0.00	\$0.00	\$0.00	Black Mountain Ranch L L C
267 365 01 00	2.24	OSP	E	0.00	0.00	\$0.00	\$0.00	Del Sur Community Assn
267 365 02 00	15.35	OSP	E	0.00	0.00	\$0.00	\$0.00	Black Mountain Ranch L L C
267 370 01 01	1.00	CND	E	0.70	0.70	\$0.00	\$0.00	Ecleonel Agosto&Rosalina
267 370 01 02	1.00	CND	E	0.70	0.70	\$0.00	\$0.00	Ruby Barbara J
267 370 01 03	1.00	CND	E	0.70	0.70	\$0.00	\$0.00	Eisenmeyer Florence Revocable Trust 12-30-03
267 370 01 04	1.00	CND	E	0.70	0.70	\$0.00	\$0.00	Wong Genaro
267 370 01 05	1.00	CND	E	0.70	0.70	\$0.00	\$0.00	Fatlund Dan E Revocable 2008 Trust 08-26-08
267 370 01 06	1.00	CND	E	0.70	0.70	\$0.00	\$0.00	Brown Daniel Gerard
267 370 01 07	1.00	CND	E	0.70	0.70	\$0.00	\$0.00	Jackson Daryl J&Breanna
267 370 01 08	1.00	CND	E	0.70	0.70	\$0.00	\$0.00	Marshall Shawn&Elizabeth
267 370 01 09	1.00	CND	E	0.70	0.70	\$0.00	\$0.00	Yin Mingming&Li Xuan
267 370 01 10	1.00	CND	E	0.70	0.70	\$0.00	\$0.00	Stevens Lori A
267 370 01 11	1.00	CND	E	0.70	0.70	\$0.00	\$0.00	Goya Yoshinori&Ruby
267 370 01 12	1.00	CND	E	0.70	0.70	\$0.00	\$0.00	Lanier Susan J
267 370 01 13	1.00	CND	E	0.70	0.70	\$0.00	\$0.00	Dahiya Pavel
267 370 01 14	1.00	CND	E	0.70	0.70	\$0.00	\$0.00	Vajda Family Trust 07-01-91
267 370 01 15	1.00	CND	E	0.70	0.70	\$0.00	\$0.00	Rochelle Brian&Michele
267 370 01 16	1.00	CND	E	0.70	0.70	\$0.00	\$0.00	Gabel Michael
267 370 01 17	1.00	CND	E	0.70	0.70	\$0.00	\$0.00	Skeen Amanda
267 370 01 18	1.00	CND	E	0.70	0.70	\$0.00	\$0.00	Giri Rajasekhar S&Chandu Madhuri
267 370 01 19	1.00	CND	E	0.70	0.70	\$0.00	\$0.00	Vemulapalli Fanil&Sunkara Sowjanya
267 370 01 20	1.00	CND	E	0.70	0.70	\$0.00	\$0.00	Song Heon Ju&Noh Jungsoon
267 370 01 21	1.00	CND	E	0.70	0.70	\$0.00	\$0.00	Nguyen Natalie T
267 370 01 22	1.00	CND	E	0.70	0.70	\$0.00	\$0.00	Choi Wooram
267 370 01 23	1.00	CND	E	0.70	0.70	\$0.00	\$0.00	Xu Larry&Park Yoon Kyung
267 370 01 24	1.00	CND	E	0.70	0.70	\$0.00	\$0.00	Cerasoli Kristi A
267 370 01 25	1.00	CND	E	0.70	0.70	\$0.00	\$0.00	Slosser Michael Trust 01-23-12
267 370 01 26	1.00	CND	E	0.70	0.70	\$0.00	\$0.00	Venkitasamy Jeganathan&Chakraborty Debjani
267 370 01 27	1.00	CND	E	0.70	0.70	\$0.00	\$0.00	Ghadiri Fatemeh
267 370 01 28	1.00	CND	E	0.70	0.70	\$0.00	\$0.00	Park Brandyce S Trust 09-21-09
267 370 01 29	1.00	CND	E	0.70	0.70	\$0.00	\$0.00	Kreiss James D&Dubansky Julie A
267 370 01 30	1.00	CND	E	0.70	0.70	\$0.00	\$0.00	Frey Tracy N
267 370 01 31	1.00	CND	E	0.70	0.70	\$0.00	\$0.00	Powell Seiho N&Powell-Tran Loan Thi
267 370 01 32	1.00	CND	E	0.70	0.70	\$0.00	\$0.00	Tse Alexander B
267 370 01 33	1.00	CND	E	0.70	0.70	\$0.00	\$0.00	Leng Bing&Zhao Allison
267 370 01 34	1.00	CND	E	0.70	0.70	\$0.00	\$0.00	Clark William J&Roberta M
267 370 01 35	1.00	CND	E	0.70	0.70	\$0.00	\$0.00	Song Frank Yanling&Ying
267 370 01 36	1.00	CND	E	0.70	0.70	\$0.00	\$0.00	Castillo David M&Alexandra M
267 370 01 37	1.00	CND	E	0.70	0.70	\$0.00	\$0.00	Stample John T&Hofmann Jessica M
267 370 01 38	1.00	CND	E	0.70	0.70	\$0.00	\$0.00	Desai Hitesh J&Niral H
267 370 01 39	1.00	CND	E	0.70	0.70	\$0.00	\$0.00	Asbury Beau D&Marion J
267 370 01 40	1.00	CND	E	0.70	0.70	\$0.00	\$0.00	Schultz Brett P
267 370 01 41	1.00	CND	E	0.70	0.70	\$0.00	\$0.00	Huneke James&Diane Trust 07-30-01
267 370 01 42	1.00	CND	E	0.70	0.70	\$0.00	\$0.00	Copulos Clint&Kristen M
267 370 01 43	1.00	CND	E	0.70	0.70	\$0.00	\$0.00	Arnold Michael J&Karen A
267 370 01 44	1.00	CND	E	0.70	0.70	\$0.00	\$0.00	Covington Gregory E Jr

**EXHIBIT C - Assessment Roll (Fiscal Year 2015)**  
**Black Mountain Ranch North Maintenance Assessment District**

Parcel Number	Acres/ Units <sup>(1)</sup>	Land Use Code <sup>(2)</sup>	Zone	Land Use Factor <sup>(2)</sup>	Total EBUs	Unit Cost (\$/EUBU)	FY 2015 (3) Assessment	Owner Name
267 370 01 45	1.00	CND	E	0.70	0.70	\$0.00	\$0.00	Sundarmurthy Keerthi R&Keerthi Madhumathi
267 370 01 46	1.00	CND	E	0.70	0.70	\$0.00	\$0.00	Ni Jun&Chen Ying
267 370 01 47	1.00	CND	E	0.70	0.70	\$0.00	\$0.00	Oteri Oghenekome F&Awoniyi Olufunmilola O
267 370 01 48	1.00	CND	E	0.70	0.70	\$0.00	\$0.00	Chernow Duane&Casteel Lisa
267 370 01 49	1.00	CND	E	0.70	0.70	\$0.00	\$0.00	Pirolli Thomas J Jr&Lisa D
267 370 01 50	1.00	CND	E	0.70	0.70	\$0.00	\$0.00	Scharf Eric&Sherri
267 370 01 51	1.00	CND	E	0.70	0.70	\$0.00	\$0.00	Tom Wynn
267 370 01 52	1.00	CND	E	0.70	0.70	\$0.00	\$0.00	Thouin Philippe&Lucarelli Rosetta
267 370 01 53	1.00	CND	E	0.70	0.70	\$0.00	\$0.00	Minachi Safa
267 370 01 54	1.00	CND	E	0.70	0.70	\$0.00	\$0.00	Hunsaker Robert M
267 370 01 55	1.00	CND	E	0.70	0.70	\$0.00	\$0.00	Arandjelovic Michelle
267 370 02 00	5.08	PKD	E	5.00	25.40	\$0.00	\$0.00	Black Mountain Ranch L L C
267 370 03 00	2.47	PKU	E	0.50	1.24	\$0.00	\$0.00	Black Mountain Ranch L L C
267 370 04 00	10.31	EPS	E	5.00	51.55	\$0.00	\$0.00	Poway Unified School District
267 370 05 00	11.15	OSP	E	0.00	0.00	\$0.00	\$0.00	Black Mountain Ranch L L C
267 370 06 00	0.20	OSP	E	0.00	0.00	\$0.00	\$0.00	Black Mountain Ranch L L C
267 380 01 00	1.00	SFD	C	1.00	1.00	\$0.00	\$0.00	Bunn Family Trust 11-08-00
267 380 02 00	1.00	SFD	C	1.00	1.00	\$0.00	\$0.00	Makkar Narinder S&Raminder K
267 380 03 00	1.00	SFD	C	1.00	1.00	\$0.00	\$0.00	King James S&Wende J
267 380 04 00	1.00	SFD	C	1.00	1.00	\$0.00	\$0.00	Sherwood Robert W&Farella-Sherwood Pamela Trust 10-02-99
267 380 05 00	1.00	SFD	C	1.00	1.00	\$0.00	\$0.00	Rebel Family Trust 08-26-05
267 380 06 00	1.00	SFD	C	1.00	1.00	\$0.00	\$0.00	Black Mountain Ranch L L C
267 380 07 00	1.00	SFD	C	1.00	1.00	\$0.00	\$0.00	Black Mountain Ranch L L C
267 380 08 00	1.00	SFD	C	1.00	1.00	\$0.00	\$0.00	Black Mountain Ranch L L C
267 380 09 00	1.00	SFD	C	1.00	1.00	\$0.00	\$0.00	Black Mountain Ranch L L C
267 380 10 00	1.00	SFD	C	1.00	1.00	\$0.00	\$0.00	Black Mountain Ranch L L C
267 380 11 00	1.00	SFD	C	1.00	1.00	\$0.00	\$0.00	Black Mountain Ranch L L C
267 380 12 00	1.00	SFD	C	1.00	1.00	\$0.00	\$0.00	Black Mountain Ranch L L C
267 380 13 00	1.00	SFD	C	1.00	1.00	\$0.00	\$0.00	Black Mountain Ranch L L C
267 380 14 00	1.00	SFD	C	1.00	1.00	\$0.00	\$0.00	Black Mountain Ranch L L C
267 380 15 00	1.00	SFD	C	1.00	1.00	\$0.00	\$0.00	Black Mountain Ranch L L C
267 380 16 00	1.00	SFD	C	1.00	1.00	\$0.00	\$0.00	Black Mountain Ranch L L C
267 380 17 00	1.00	SFD	C	1.00	1.00	\$0.00	\$0.00	Black Mountain Ranch L L C
267 380 18 00	1.00	SFD	C	1.00	1.00	\$0.00	\$0.00	Black Mountain Ranch L L C
267 380 19 00	1.00	SFD	C	1.00	1.00	\$0.00	\$0.00	Black Mountain Ranch L L C
267 380 20 00	1.00	SFD	C	1.00	1.00	\$0.00	\$0.00	Mandell Andrew&Adele
267 380 21 00	1.00	SFD	C	1.00	1.00	\$0.00	\$0.00	Baek Paul N&Abler Sandra L
267 380 22 00	1.00	SFD	C	1.00	1.00	\$0.00	\$0.00	Nahm James Trust 06-07-00
267 380 23 00	1.76	OSP	C	0.00	0.00	\$0.00	\$0.00	Black Mountain Ranch L L C
267 380 24 00	0.78	STR	C	0.00	0.00	\$0.00	\$0.00	Black Mountain Ranch L L C
267 380 25 00	0.02	OSP	C	0.00	0.00	\$0.00	\$0.00	Black Mountain Ranch L L C
267 380 26 00	0.03	OSP	C	0.00	0.00	\$0.00	\$0.00	Black Mountain Ranch L L C
267 380 27 00	0.03	OSP	C	0.00	0.00	\$0.00	\$0.00	Black Mountain Ranch L L C
267 380 28 00	0.03	OSP	C	0.00	0.00	\$0.00	\$0.00	Black Mountain Ranch L L C
267 381 01 00	1.00	SFD	C	1.00	1.00	\$0.00	\$0.00	Johnson Dale M&Gail K
267 381 02 00	1.00	SFD	C	1.00	1.00	\$0.00	\$0.00	Ewing Thomas&Deborah Family Trust 02-18-91
267 381 03 00	1.00	SFD	C	1.00	1.00	\$0.00	\$0.00	Kwan Thomas J T&Shirley S
267 381 04 00	1.00	SFD	C	1.00	1.00	\$0.00	\$0.00	Miller Family Survivors Trust 09-23-99
267 381 05 00	1.00	SFD	C	1.00	1.00	\$0.00	\$0.00	Tilford Toby&Juliet
267 381 06 00	1.00	SFD	C	1.00	1.00	\$0.00	\$0.00	Yan Wai M
267 381 07 00	1.00	SFD	C	1.00	1.00	\$0.00	\$0.00	Stelzner Family Trust 05-13-03
267 381 08 00	1.00	SFD	C	1.00	1.00	\$0.00	\$0.00	Whitney Family Trust 06-09-05
267 381 09 00	1.00	SFD	C	1.00	1.00	\$0.00	\$0.00	Black Mountain Ranch L L C
267 381 10 00	1.00	SFD	C	1.00	1.00	\$0.00	\$0.00	Black Mountain Ranch L L C
267 381 11 00	1.00	SFD	C	1.00	1.00	\$0.00	\$0.00	Zakov Kamen&Rita
267 381 12 00	1.00	SFD	C	1.00	1.00	\$0.00	\$0.00	Caputo Family Trust 05-29-97
267 381 13 00	1.00	SFD	C	1.00	1.00	\$0.00	\$0.00	Mcginis Russell&Karen
267 381 14 00	1.00	SFD	C	1.00	1.00	\$0.00	\$0.00	Tencate Family Trust 04-16-09
267 381 15 00	1.00	SFD	C	1.00	1.00	\$0.00	\$0.00	Orlansky Inter Vivos Trust 01-03-86

**EXHIBIT C - Assessment Roll (Fiscal Year 2015)**  
**Black Mountain Ranch North Maintenance Assessment District**

Parcel Number	Acres/ Units <sup>(1)</sup>	Land Use Code <sup>(2)</sup>	Zone	Land Use Factor <sup>(2)</sup>	Total EBUs	Unit Cost (\$/EUBU)	FY 2015 (3) Assessment	Owner Name
267 381 16 00	1.00	SFD	C	1.00	1.00	\$0.00	\$0.00	Strauss Richard&Sherry
267 381 17 00	1.00	SFD	C	1.00	1.00	\$0.00	\$0.00	Maranian Raffi P&Brandy H
267 381 18 00	1.00	SFD	C	1.00	1.00	\$0.00	\$0.00	Clift John W&Kathryn Revocable 2014 Trust 01-31-14
267 381 19 00	1.00	SFD	C	1.00	1.00	\$0.00	\$0.00	Oliver John T&Beverly A
267 381 20 00	1.00	SFD	C	1.00	1.00	\$0.00	\$0.00	Konzen-Ormsby Trust 09-10-10
267 381 21 00	1.00	SFD	C	1.00	1.00	\$0.00	\$0.00	Conaty Family Trust
267 381 22 00	1.00	SFD	C	1.00	1.00	\$0.00	\$0.00	Black Mountain Ranch L L C
267 381 23 00	1.00	SFD	C	1.00	1.00	\$0.00	\$0.00	Black Mountain Ranch L L C
267 381 24 00	1.00	SFD	C	1.00	1.00	\$0.00	\$0.00	Black Mountain Ranch L L C
267 381 25 00	1.00	SFD	C	1.00	1.00	\$0.00	\$0.00	Black Mountain Ranch L L C
267 381 26 00	1.00	SFD	C	1.00	1.00	\$0.00	\$0.00	Black Mountain Ranch L L C
267 381 27 00	1.00	SFD	C	1.00	1.00	\$0.00	\$0.00	Black Mountain Ranch L L C
267 381 28 00	1.00	SFD	C	1.00	1.00	\$0.00	\$0.00	Black Mountain Ranch L L C
267 381 29 00	1.00	SFD	C	1.00	1.00	\$0.00	\$0.00	Black Mountain Ranch L L C
267 381 30 00	1.00	SFD	C	1.00	1.00	\$0.00	\$0.00	Pollack Family Trust 05-28-87
267 381 31 00	1.00	SFD	C	1.00	1.00	\$0.00	\$0.00	Oneal Ryan D&Sanders-Oneal Kim A
267 381 32 00	1.00	SFD	C	1.00	1.00	\$0.00	\$0.00	Hooker James T Family Trust 01-27-01
267 381 33 00	1.00	SFD	C	1.00	1.00	\$0.00	\$0.00	Glasgow Revocable Trust 04-04-07
267 381 34 00	1.00	SFD	C	1.00	1.00	\$0.00	\$0.00	Black Mountain Ranch L L C
267 381 35 00	1.00	SFD	C	1.00	1.00	\$0.00	\$0.00	Black Mountain Ranch L L C
267 381 36 00	1.00	SFD	C	1.00	1.00	\$0.00	\$0.00	Black Mountain Ranch L L C
267 381 37 00	0.17	OSP	C	0.00	0.00	\$0.00	\$0.00	Black Mountain Ranch L L C
267 381 38 00	3.79	OSP	C	0.00	0.00	\$0.00	\$0.00	Black Mountain Ranch L L C
267 381 39 00	2.23	STR	C	0.00	0.00	\$0.00	\$0.00	Delsur Community Assn
267 381 40 00	3.99	STR	C	0.00	0.00	\$0.00	\$0.00	Black Mountain Ranch L L C
267 400 01 00	1.00	SFD	E	1.00	1.00	\$0.00	\$0.00	Deforest Devin O
267 400 02 00	1.00	SFD	E	1.00	1.00	\$0.00	\$0.00	Ahmed Ilhamuddin&Mushtarin Wadina
267 400 03 00	1.00	SFD	E	1.00	1.00	\$0.00	\$0.00	Jannesari Saeid&Aramfard Mansoureh
267 400 04 00	1.00	SFD	E	1.00	1.00	\$0.00	\$0.00	Harikrishnan Venkatesh&Vadivelnaryanamurthy Priya
267 400 05 00	1.00	SFD	E	1.00	1.00	\$0.00	\$0.00	Brown Jason M&Quan Jeanette
267 400 06 00	1.00	SFD	E	1.00	1.00	\$0.00	\$0.00	Kudrimoti Abhijit&Marathe Padminee
267 400 07 00	1.00	SFD	E	1.00	1.00	\$0.00	\$0.00	Jiang Yuju&Teng Shutian
267 400 08 00	1.00	SFD	E	1.00	1.00	\$0.00	\$0.00	Aune Matthew P&Heather N
267 400 09 00	1.00	SFD	E	1.00	1.00	\$0.00	\$0.00	Temple Jay L&Priscilla G
267 400 10 00	1.00	SFD	E	1.00	1.00	\$0.00	\$0.00	Lee Judy
267 400 11 00	1.00	SFD	E	1.00	1.00	\$0.00	\$0.00	Ball Polly L Revocable 11-08-11
267 400 12 00	1.00	SFD	E	1.00	1.00	\$0.00	\$0.00	Bonslaver Mark D&Boyer Darcy E
267 400 13 00	1.00	SFD	E	1.00	1.00	\$0.00	\$0.00	Jaakkola Mikko&Niina Family 2013 Trust
267 400 14 00	1.00	SFD	E	1.00	1.00	\$0.00	\$0.00	Berry Jonathan&Tiffany
267 400 15 00	1.00	SFD	E	1.00	1.00	\$0.00	\$0.00	Moore Grant A&Kari L
267 400 16 00	1.00	SFD	E	1.00	1.00	\$0.00	\$0.00	Fink Robert&Cruz Araceli
267 400 17 00	1.00	SFD	E	1.00	1.00	\$0.00	\$0.00	Mertz Robert J&Pamela M
267 400 18 00	1.00	SFD	E	1.00	1.00	\$0.00	\$0.00	Hubbard/Marshall Family Revocable Trust 12-21-11
267 400 19 00	1.00	SFD	E	1.00	1.00	\$0.00	\$0.00	Rodewald Jeffrey D&Cinda L
267 400 20 00	1.00	SFD	E	1.00	1.00	\$0.00	\$0.00	Leedom Gregory J&Allison D
267 400 21 00	1.00	SFD	E	1.00	1.00	\$0.00	\$0.00	Perry Todd A&Kathleen A
267 400 22 00	1.00	SFD	E	1.00	1.00	\$0.00	\$0.00	Krivacek Paul D&Colleen A
267 400 23 00	1.00	SFD	E	1.00	1.00	\$0.00	\$0.00	Brown James D&Valerie
267 400 24 00	1.00	SFD	E	1.00	1.00	\$0.00	\$0.00	Bischof Paul&Moonhee
267 400 25 00	1.00	SFD	E	1.00	1.00	\$0.00	\$0.00	Louis Dwayne M&Brandi L
267 400 26 00	1.00	SFD	E	1.00	1.00	\$0.00	\$0.00	Zhang Jianbo&Tang Chao
267 400 27 00	1.00	SFD	E	1.00	1.00	\$0.00	\$0.00	Bahmani Kambiz&Connery Colleen M
267 400 28 00	1.00	SFD	E	1.00	1.00	\$0.00	\$0.00	Patel Rakesh J&Urmisha R
267 400 29 00	1.00	SFD	E	1.00	1.00	\$0.00	\$0.00	Wenk Richard D
267 400 30 00	1.00	SFD	E	1.00	1.00	\$0.00	\$0.00	Kwon Young&Jane Trust 09-09-13
267 400 31 00	1.00	SFD	E	1.00	1.00	\$0.00	\$0.00	Bradford-Vana Family Trust 06-01-12
267 400 32 00	1.00	SFD	E	1.00	1.00	\$0.00	\$0.00	Arunachalam Balaji&Counassegarane Prasenna L
267 400 33 00	1.00	SFD	E	1.00	1.00	\$0.00	\$0.00	Dellorano Anthony E
267 400 34 00	1.00	SFD	E	1.00	1.00	\$0.00	\$0.00	Sutharsan Thirunathan&Jeyanthi

**EXHIBIT C - Assessment Roll (Fiscal Year 2015)**  
**Black Mountain Ranch North Maintenance Assessment District**

Parcel Number	Acres/ Units <sup>(1)</sup>	Land Use Code <sup>(2)</sup>	Zone	Land Use Factor <sup>(2)</sup>	Total EBUs	Unit Cost (\$/Ebu)	FY 2015 (3) Assessment	Owner Name
267 400 35 00	1.00	SFD	E	1.00	1.00	\$0.00	\$0.00	Jurado Glaser&Cynthia
267 400 36 00	1.00	SFD	E	1.00	1.00	\$0.00	\$0.00	Eghaneyan Qumars&Nadia
267 400 37 00	1.00	SFD	E	1.00	1.00	\$0.00	\$0.00	Heidecker Joel D&Natalie R
267 400 38 00	1.00	SFD	E	1.00	1.00	\$0.00	\$0.00	Crossland-Secor Family Trust 04-29-11
267 400 39 00	1.00	SFD	E	1.00	1.00	\$0.00	\$0.00	Smith Jill Stuart
267 400 40 00	1.00	SFD	E	1.00	1.00	\$0.00	\$0.00	Muendler Family Trust 06-15-12
267 400 41 00	1.00	SFD	E	1.00	1.00	\$0.00	\$0.00	Syed Mohammed M&Nasim Saima A
267 400 42 00	1.00	SFD	E	1.00	1.00	\$0.00	\$0.00	Flynn Patrick P&April R
267 400 43 00	1.00	SFD	E	1.00	1.00	\$0.00	\$0.00	Johnston Robert C&Christina P
267 400 44 00	1.00	SFD	E	1.00	1.00	\$0.00	\$0.00	Shi Ruofei&Guo Jing
267 400 45 00	1.00	SFD	E	1.00	1.00	\$0.00	\$0.00	Choi Michael J&Jaime D
267 400 46 00	1.00	SFD	E	1.00	1.00	\$0.00	\$0.00	Mayo Steven&Shefic Margaret
267 400 47 00	1.00	SFD	E	1.00	1.00	\$0.00	\$0.00	Odonnell Kelly V&Lisa E
267 400 48 00	1.00	SFD	E	1.00	1.00	\$0.00	\$0.00	Pinderski Eric&Soukahn
267 400 49 00	1.00	SFD	E	1.00	1.00	\$0.00	\$0.00	Fessenden James C&Allison H
267 400 50 00	1.00	SFD	E	1.00	1.00	\$0.00	\$0.00	Dundas Lisa G
267 400 51 00	1.00	SFD	E	1.00	1.00	\$0.00	\$0.00	Bradley Dustin A&Megan D
267 400 52 00	1.00	SFD	E	1.00	1.00	\$0.00	\$0.00	Schroeder Ryan D&Milena E
267 400 53 00	1.00	SFD	E	1.00	1.00	\$0.00	\$0.00	Wien Daniel P&Christensen Michelle A
267 400 54 00	1.00	SFD	E	1.00	1.00	\$0.00	\$0.00	Bertino Ces F&Rita
267 400 55 00	0.05	OSP	E	0.00	0.00	\$0.00	\$0.00	Del Sur Community Assn
267 400 56 00	0.15	OSP	E	0.00	0.00	\$0.00	\$0.00	Del Sur Community Assn
267 400 57 00	0.10	OSP	E	0.00	0.00	\$0.00	\$0.00	Del Sur Community Assn
267 401 01 00	1.00	SFD	E	1.00	1.00	\$0.00	\$0.00	Gu Xiaoping&Wu Qi
267 401 02 00	1.00	SFD	E	1.00	1.00	\$0.00	\$0.00	Chao Jianhua
267 401 03 00	1.00	SFD	E	1.00	1.00	\$0.00	\$0.00	Kedar Ehad&Yarritu Elena
267 401 04 00	1.00	SFD	E	1.00	1.00	\$0.00	\$0.00	Smith Jason
267 401 05 00	1.00	SFD	E	1.00	1.00	\$0.00	\$0.00	Woods David J&Sandy W
267 401 06 00	1.00	SFD	E	1.00	1.00	\$0.00	\$0.00	Schneringer Keith R&Holly M
267 401 07 00	1.00	SFD	E	1.00	1.00	\$0.00	\$0.00	Kan Andrew K&Ha Jimin
267 401 08 00	1.00	SFD	E	1.00	1.00	\$0.00	\$0.00	Martinez Svetlana
267 401 09 00	1.00	SFD	E	1.00	1.00	\$0.00	\$0.00	Henson Wayne&Janine
267 401 10 00	1.00	SFD	E	1.00	1.00	\$0.00	\$0.00	Kim Han Seung&Helen H
267 401 11 00	1.00	SFD	E	1.00	1.00	\$0.00	\$0.00	Dang Philippe Khanh&Vu Nga Thi
267 401 12 00	1.00	SFD	E	1.00	1.00	\$0.00	\$0.00	Bond Kelly&Ferita
267 401 13 00	1.00	SFD	E	1.00	1.00	\$0.00	\$0.00	Thakkar Snehal Kumar K&Ashabahan S
267 401 14 00	1.00	SFD	E	1.00	1.00	\$0.00	\$0.00	Chong In Suk&Yoo Young Eun
267 401 15 00	1.00	SFD	E	1.00	1.00	\$0.00	\$0.00	Chong Jesus&Carina
267 401 16 00	1.00	SFD	E	1.00	1.00	\$0.00	\$0.00	Thorpe Kristina
267 401 17 00	1.00	SFD	E	1.00	1.00	\$0.00	\$0.00	Ekambaram Shankar R&Soundararaju Sridevi
267 401 18 00	1.00	SFD	E	1.00	1.00	\$0.00	\$0.00	Lamb Family Revocable Trust 12-22-08
267 401 19 00	1.00	SFD	E	1.00	1.00	\$0.00	\$0.00	Wolf Donald T&Kim B
267 401 20 00	1.00	SFD	E	1.00	1.00	\$0.00	\$0.00	8484 Ednaly Lane L L C
267 401 21 00	1.00	SFD	E	1.00	1.00	\$0.00	\$0.00	Renner Cullen&Abernathy-Renner Stephanie
267 401 22 00	1.00	SFD	E	1.00	1.00	\$0.00	\$0.00	Le Truong-Giang
267 401 23 00	1.00	SFD	E	1.00	1.00	\$0.00	\$0.00	Jones-Storey Kelly&Garcia-Jones Silvia
267 401 24 00	1.00	SFD	E	1.00	1.00	\$0.00	\$0.00	Hippen John T&Rachelle M
267 401 25 00	1.00	SFD	E	1.00	1.00	\$0.00	\$0.00	Richter Janice L 2003 Trust
267 401 26 00	1.00	SFD	E	1.00	1.00	\$0.00	\$0.00	Crossgrove Jarrett R&Tiffany
267 401 27 00	1.00	SFD	E	1.00	1.00	\$0.00	\$0.00	Wilson Jeffrey T&Jeanne T S
267 401 28 00	1.00	SFD	E	1.00	1.00	\$0.00	\$0.00	Chu-Pham Trust 06-21-11
267 401 29 00	1.00	SFD	E	1.00	1.00	\$0.00	\$0.00	Tran Phong Le&Ho Mai Oanh Phan
267 401 30 00	1.00	SFD	E	1.00	1.00	\$0.00	\$0.00	Zimmer Scott A&Julianne
267 401 31 00	1.00	SFD	E	1.00	1.00	\$0.00	\$0.00	Dong Dalei&Choi Sera
267 401 32 00	1.00	SFD	E	1.00	1.00	\$0.00	\$0.00	Warner John M&Pandora H
267 401 33 00	1.00	SFD	E	1.00	1.00	\$0.00	\$0.00	Varga Gerald
267 401 34 00	1.00	SFD	E	1.00	1.00	\$0.00	\$0.00	Czyszczonek Thomas M&Gail
267 401 35 00	1.00	SFD	E	1.00	1.00	\$0.00	\$0.00	Petersen Andrew&Laura
267 401 36 00	1.00	SFD	E	1.00	1.00	\$0.00	\$0.00	Scripps Poway Dental Plaza L L C



**EXHIBIT C - Assessment Roll (Fiscal Year 2015)**  
**Black Mountain Ranch North Maintenance Assessment District**

Parcel Number	Acres/ Units <sup>(1)</sup>	Land Use Code <sup>(2)</sup>	Zone	Land Use Factor <sup>(2)</sup>	Total EBUs	Unit Cost (\$/EUBU)	FY 2015 (3) Assessment	Owner Name
267 401 37 00	1.00	SFD	E	1.00	1.00	\$0.00	\$0.00	Hartmann Scott&Sharon Trust 04-26-08
267 401 38 00	1.00	SFD	E	1.00	1.00	\$0.00	\$0.00	Grothe Paul&Traci
267 401 39 00	1.00	SFD	E	1.00	1.00	\$0.00	\$0.00	Wooden Jeremy C&Taylor Krista R
267 401 40 00	1.00	SFD	E	1.00	1.00	\$0.00	\$0.00	Tsang Brian&Matsumoto Sandra
267 401 41 00	1.00	SFD	E	1.00	1.00	\$0.00	\$0.00	Smith K B Family Trust 06-26-13
267 401 42 00	1.00	SFD	E	1.00	1.00	\$0.00	\$0.00	Huang Tao&Zhang Shu Juan
267 401 43 00	1.00	SFD	E	1.00	1.00	\$0.00	\$0.00	Davies John&Bonarrigo Donna
267 401 44 00	1.00	SFD	E	1.00	1.00	\$0.00	\$0.00	Fonss Family Trust 01-04-13
267 401 45 00	1.00	SFD	E	1.00	1.00	\$0.00	\$0.00	Standard Pacific Corp
267 401 46 00	1.00	SFD	E	1.00	1.00	\$0.00	\$0.00	Standard Pacific Corp
267 401 47 00	1.00	SFD	E	1.00	1.00	\$0.00	\$0.00	Standard Pacific Corp
267 401 48 00	1.00	SFD	E	1.00	1.00	\$0.00	\$0.00	Standard Pacific Corp
267 401 49 00	1.00	SFD	E	1.00	1.00	\$0.00	\$0.00	Standard Pacific Corp
267 401 50 00	1.00	SFD	E	1.00	1.00	\$0.00	\$0.00	Tharp Douglas R&Kandis K
267 401 51 00	1.00	SFD	E	1.00	1.00	\$0.00	\$0.00	Farrell Christopher J&Hansel Donna E
267 401 52 00	1.00	SFD	E	1.00	1.00	\$0.00	\$0.00	Mccallum Ian&Diane
267 401 53 00	1.00	SFD	E	1.00	1.00	\$0.00	\$0.00	Cline Brian K&Kristin C
267 401 54 00	1.00	SFD	E	1.00	1.00	\$0.00	\$0.00	Jenkins Kira C
267 401 55 00	1.00	SFD	E	1.00	1.00	\$0.00	\$0.00	Pan Eric C&Karen C
267 401 56 00	1.00	SFD	E	1.00	1.00	\$0.00	\$0.00	Reed Charles D Jr&Judith
267 401 57 00	1.00	SFD	E	1.00	1.00	\$0.00	\$0.00	Batt Melissa
267 401 58 00	1.00	SFD	E	1.00	1.00	\$0.00	\$0.00	Howell Revocable Trust 02-16-12
267 401 59 00	1.00	SFD	E	1.00	1.00	\$0.00	\$0.00	Mcguire Christopher H&Nicole R
267 401 60 00	1.00	SFD	E	1.00	1.00	\$0.00	\$0.00	Amble Christopher S&Jennifer J
267 401 61 00	1.00	SFD	E	1.00	1.00	\$0.00	\$0.00	Gillespie Living Trust 06-10-99
267 401 62 00	1.00	SFD	E	1.00	1.00	\$0.00	\$0.00	Abalos Michael P&Mary J L
267 401 63 00	1.00	SFD	E	1.00	1.00	\$0.00	\$0.00	Alejandro Lawrence&Linh M
267 401 64 00	1.00	SFD	E	1.00	1.00	\$0.00	\$0.00	Salmen Christopher J&Cheryl G Family Trust 07-13-11
267 401 65 00	0.13	OSP	E	0.00	0.00	\$0.00	\$0.00	Del Sur Community Assn
267 401 66 00	0.02	OSP	E	0.00	0.00	\$0.00	\$0.00	Del Sur Community Assn
267 401 67 00	0.05	OSP	E	0.00	0.00	\$0.00	\$0.00	Del Sur Community Assn
267 401 68 00	0.08	OSP	E	0.00	0.00	\$0.00	\$0.00	Del Sur Community Assn
267 401 69 00	0.11	OSP	E	0.00	0.00	\$0.00	\$0.00	Del Sur Community Assn
267 401 70 00	0.05	OSP	E	0.00	0.00	\$0.00	\$0.00	Del Sur Community Assn
267 401 71 00	0.37	STR	E	0.00	0.00	\$0.00	\$0.00	Delsur Community Assn
267 401 72 00	0.08	OSP	E	0.00	0.00	\$0.00	\$0.00	Del Sur Community Assn
267 401 73 00	0.02	OSP	E	0.00	0.00	\$0.00	\$0.00	Del Sur Community Assn
267 401 74 00	0.05	OSP	E	0.00	0.00	\$0.00	\$0.00	Del Sur Community Assn
267 402 01 00	1.00	SFD	E	1.00	1.00	\$0.00	\$0.00	Severson Family Trust 09-14-12
267 402 02 00	1.00	SFD	E	1.00	1.00	\$0.00	\$0.00	Sen Dipanjan&Keri
267 402 03 00	1.00	SFD	E	1.00	1.00	\$0.00	\$0.00	Sinnokrot Mohammed&Saleh Ola
267 402 04 00	1.00	SFD	E	1.00	1.00	\$0.00	\$0.00	Nazif Omar A&Katherine E
267 402 05 00	1.00	SFD	E	1.00	1.00	\$0.00	\$0.00	Gross James F&Erin L
267 402 06 00	1.00	SFD	E	1.00	1.00	\$0.00	\$0.00	Sourkes Jonathan M&Sheryl
267 402 07 00	1.00	SFD	E	1.00	1.00	\$0.00	\$0.00	Brookfield D S 51 L L C
267 402 08 00	1.00	SFD	E	1.00	1.00	\$0.00	\$0.00	Davis Christopher J&Karen F
267 402 09 00	1.00	SFD	E	1.00	1.00	\$0.00	\$0.00	Brookfield D S 51 L L C
267 402 10 00	1.00	SFD	E	1.00	1.00	\$0.00	\$0.00	Brookfield D S 51 L L C
267 402 11 00	1.00	SFD	E	1.00	1.00	\$0.00	\$0.00	Brookfield D S 51 L L C
267 402 12 00	1.00	SFD	E	1.00	1.00	\$0.00	\$0.00	Weatherford Yvonne 2001 Trust
267 402 13 00	1.00	SFD	E	1.00	1.00	\$0.00	\$0.00	Brookfield D S 51 L L C
267 402 14 00	1.00	SFD	E	1.00	1.00	\$0.00	\$0.00	Brookfield D S 51 L L C
267 402 15 00	1.00	SFD	E	1.00	1.00	\$0.00	\$0.00	Thiessen Rose M
267 402 16 00	1.00	SFD	E	1.00	1.00	\$0.00	\$0.00	Brookfield D S 51 L L C
267 402 17 00	1.00	SFD	E	1.00	1.00	\$0.00	\$0.00	Brookfield D S 51 L L C
267 402 18 00	1.00	SFD	E	1.00	1.00	\$0.00	\$0.00	Brookfield D S 51 L L C
267 402 19 00	1.00	SFD	E	1.00	1.00	\$0.00	\$0.00	Brookfield D S 51 L L C
267 402 20 00	1.00	SFD	E	1.00	1.00	\$0.00	\$0.00	Brookfield D S 51 L L C
267 402 21 00	1.00	SFD	E	1.00	1.00	\$0.00	\$0.00	Brookfield D S 51 L L C

**EXHIBIT C - Assessment Roll (Fiscal Year 2015)**  
**Black Mountain Ranch North Maintenance Assessment District**

Parcel Number	Acres/ Units <sup>(1)</sup>	Land Use Code <sup>(2)</sup>	Zone	Land Use Factor <sup>(2)</sup>	Total EBUs	Unit Cost (\$/Ebu)	FY 2015 (3) Assessment	Owner Name
267 402 22 00	1.00	SFD	E	1.00	1.00	\$0.00	\$0.00	Brookfield D S 51 L L C
267 402 23 00	1.00	SFD	E	1.00	1.00	\$0.00	\$0.00	Brookfield D S 51 L L C
267 402 24 00	1.00	SFD	E	1.00	1.00	\$0.00	\$0.00	Brookfield D S 51 L L C
267 402 25 00	1.00	SFD	E	1.00	1.00	\$0.00	\$0.00	Brookfield D S 51 L L C
267 402 26 00	0.32	STR	E	0.00	0.00	\$0.00	\$0.00	Brookfield D S 51 L L C
267 402 27 00	3.83	OSP	E	0.00	0.00	\$0.00	\$0.00	Del Sur Community Assn
267 402 28 00	0.12	STR	E	0.00	0.00	\$0.00	\$0.00	Brookfield D S 51 L L C
267 402 29 00	0.20	OSP	E	0.00	0.00	\$0.00	\$0.00	Black Mountain Ranch L L C
267 402 30 00	0.13	STR	E	0.00	0.00	\$0.00	\$0.00	Del Sur Community Assn
267 403 02 00	0.31	OSP	E	0.00	0.00	\$0.00	\$0.00	Del Sur Community Assn
267 403 03 00	1.01	PKU	E	0.50	0.51	\$0.00	\$0.00	Black Mountain Ranch L L C
267 403 04 00	4.73	OSP	E	0.00	0.00	\$0.00	\$0.00	Black Mountain Ranch L L C
267 403 05 01	1.00	CND	E	0.70	0.70	\$0.00	\$0.00	Rainey William C
267 403 05 02	1.00	CND	E	0.70	0.70	\$0.00	\$0.00	Casanova Cassandra J
267 403 05 03	1.00	CND	E	0.70	0.70	\$0.00	\$0.00	Mead David E&Susan G
267 403 05 04	1.00	CND	E	0.70	0.70	\$0.00	\$0.00	Knudsen Arvind&Anette B
267 403 05 05	1.00	CND	E	0.70	0.70	\$0.00	\$0.00	Harriss Catherine M H Living Trust 11-07-13
267 403 05 06	1.00	CND	E	0.70	0.70	\$0.00	\$0.00	Ditzhazy Noel R
267 403 05 07	1.00	CND	E	0.70	0.70	\$0.00	\$0.00	Huniu Aaron D&Susan M
267 403 05 08	1.00	CND	E	0.70	0.70	\$0.00	\$0.00	Hughart Nicholas&Amber K
267 403 05 09	1.00	CND	E	0.70	0.70	\$0.00	\$0.00	Dunbar James R
267 403 05 10	1.00	CND	E	0.70	0.70	\$0.00	\$0.00	Fusco Anthony M&Angela
267 403 06 01	1.00	CND	E	0.70	0.70	\$0.00	\$0.00	Barnes Kent M&Robin R Living Trust 05-31-13
267 403 06 02	1.00	CND	E	0.70	0.70	\$0.00	\$0.00	Corrado Louis F&Donna M
267 403 06 03	1.00	CND	E	0.70	0.70	\$0.00	\$0.00	Capule Ronald&Templo-Capule Marie
267 403 06 04	1.00	CND	E	0.70	0.70	\$0.00	\$0.00	Saad Ashraf A
267 403 06 05	1.00	CND	E	0.70	0.70	\$0.00	\$0.00	Kattamuri Subrahmanyam V&Gorugantu Sriya
267 403 06 06	1.00	CND	E	0.70	0.70	\$0.00	\$0.00	Kishen Kiran B
267 403 06 07	1.00	CND	E	0.70	0.70	\$0.00	\$0.00	Arbogast G Tomi
267 403 06 08	1.00	CND	E	0.70	0.70	\$0.00	\$0.00	Craft Christopher L
267 403 06 09	1.00	CND	E	0.70	0.70	\$0.00	\$0.00	Casinger William D&Deborah A
267 403 06 10	1.00	CND	E	0.70	0.70	\$0.00	\$0.00	Wiglesworth Robert T&Raquel M
267 403 07 01	1.00	CND	E	0.70	0.70	\$0.00	\$0.00	Travaglia Kimberly A Trust 06-05-09
267 403 07 02	1.00	CND	E	0.70	0.70	\$0.00	\$0.00	Luong Thoson&Han Hue Ai Living Trust 05-18-05
267 403 07 03	1.00	CND	E	0.70	0.70	\$0.00	\$0.00	Huang Chun Ming
267 403 07 04	1.00	CND	E	0.70	0.70	\$0.00	\$0.00	Smith Christopher E
267 403 07 05	1.00	CND	E	0.70	0.70	\$0.00	\$0.00	Mao Jia
267 403 07 06	1.00	CND	E	0.70	0.70	\$0.00	\$0.00	Istilar Patrick J&Jaclyn N
267 403 07 07	1.00	CND	E	0.70	0.70	\$0.00	\$0.00	Nichols Michael W&Christina
267 403 07 08	1.00	CND	E	0.70	0.70	\$0.00	\$0.00	Colangelo Rosamaria
267 403 07 09	1.00	CND	E	0.70	0.70	\$0.00	\$0.00	Kemper Gregory R Jr
267 403 07 10	1.00	CND	E	0.70	0.70	\$0.00	\$0.00	Maloney Brian M
267 403 08 01	1.00	CND	E	0.70	0.70	\$0.00	\$0.00	Kiviat Douglas&Jane Trust 09-30-13
267 403 08 02	1.00	CND	E	0.70	0.70	\$0.00	\$0.00	Nowak Daron J&Rebecca L
267 403 08 03	1.00	CND	E	0.70	0.70	\$0.00	\$0.00	Dean Joshua W&Sarah E
267 403 08 04	1.00	CND	E	0.70	0.70	\$0.00	\$0.00	Villanueva Aurora
267 403 08 05	1.00	CND	E	0.70	0.70	\$0.00	\$0.00	Treacy Gerald B&Joyce M
267 403 08 06	1.00	CND	E	0.70	0.70	\$0.00	\$0.00	Salehizadeh Kian&Flaherty Stephanie M
267 403 08 07	1.00	CND	E	0.70	0.70	\$0.00	\$0.00	Hale Annie Hung-En&Aaron Dean Revocable Trust 02-25-06
267 403 08 08	1.00	CND	E	0.70	0.70	\$0.00	\$0.00	Strachan Jeffrey&Michelle
267 403 08 09	1.00	CND	E	0.70	0.70	\$0.00	\$0.00	Fang Alfredo A&Evangeline O
267 403 08 10	1.00	CND	E	0.70	0.70	\$0.00	\$0.00	Trausch Richard L&Jan M
267 403 09 01	1.00	CND	E	0.70	0.70	\$0.00	\$0.00	Chase Lawrence
267 403 09 02	1.00	CND	E	0.70	0.70	\$0.00	\$0.00	Mazur Daniel J
267 403 09 03	1.00	CND	E	0.70	0.70	\$0.00	\$0.00	Kim In Chull
267 403 09 04	1.00	CND	E	0.70	0.70	\$0.00	\$0.00	Fitch Donald R&Insun A
267 403 09 05	1.00	CND	E	0.70	0.70	\$0.00	\$0.00	Reed Kevin B&Rebecca L
267 403 09 06	1.00	CND	E	0.70	0.70	\$0.00	\$0.00	Diverde Nicholas J&Shannon K
267 403 10 01	1.00	CND	E	0.70	0.70	\$0.00	\$0.00	Christinson Lucas

**EXHIBIT C - Assessment Roll (Fiscal Year 2015)**  
**Black Mountain Ranch North Maintenance Assessment District**

Parcel Number	Acres/ Units <sup>(1)</sup>	Land Use Code <sup>(2)</sup>	Zone	Land Use Factor <sup>(2)</sup>	Total EBUs	Unit Cost (\$/Ebu)	FY 2015 (3) Assessment	Owner Name
267 403 10 02	1.00	CND	E	0.70	0.70	\$0.00	\$0.00	Vuong Henry&Allyann Q
267 403 10 03	1.00	CND	E	0.70	0.70	\$0.00	\$0.00	Wozney Dean E&Catherine H
267 403 10 04	1.00	CND	E	0.70	0.70	\$0.00	\$0.00	Maneri Thomas L Jr
267 403 10 05	1.00	CND	E	0.70	0.70	\$0.00	\$0.00	Pacific Asaad Trust 08-07-13
267 403 10 06	1.00	CND	E	0.70	0.70	\$0.00	\$0.00	Lucia Nicole M
267 403 10 07	1.00	CND	E	0.70	0.70	\$0.00	\$0.00	Barman Utpal&Borah Mridusmita
267 403 10 08	1.00	CND	E	0.70	0.70	\$0.00	\$0.00	Harrington Paula L
267 403 10 09	1.00	CND	E	0.70	0.70	\$0.00	\$0.00	Kim Jisung
267 403 10 10	1.00	CND	E	0.70	0.70	\$0.00	\$0.00	Dionne Mark A
267 403 11 01	1.00	CND	E	0.70	0.70	\$0.00	\$0.00	Workman Timothy&Jena
267 403 11 02	1.00	CND	E	0.70	0.70	\$0.00	\$0.00	Shteremberg Sara
267 403 11 03	1.00	CND	E	0.70	0.70	\$0.00	\$0.00	Kim William Jeongwoo&Lindsey Han
267 403 11 04	1.00	CND	E	0.70	0.70	\$0.00	\$0.00	Goswami Himanshu&Shah Himadri
267 403 11 05	1.00	CND	E	0.70	0.70	\$0.00	\$0.00	Berengolts Michael J&Orlee M
267 403 11 06	1.00	CND	E	0.70	0.70	\$0.00	\$0.00	Moore Travis D
267 403 11 07	1.00	CND	E	0.70	0.70	\$0.00	\$0.00	Diaz Kristie L
267 403 11 08	1.00	CND	E	0.70	0.70	\$0.00	\$0.00	Kashyap Gaurav
267 403 11 09	1.00	CND	E	0.70	0.70	\$0.00	\$0.00	Guimaraes Berenice C R
267 403 11 10	1.00	CND	E	0.70	0.70	\$0.00	\$0.00	Marsano Giovani
267 403 12 01	1.00	CND	E	0.70	0.70	\$0.00	\$0.00	Samrith Chheat&Thanh
267 403 12 02	1.00	CND	E	0.70	0.70	\$0.00	\$0.00	Fortis Miguel Jr&Carmen E
267 403 12 03	1.00	CND	E	0.70	0.70	\$0.00	\$0.00	Ramanandan Arvind&Ramachandra Anupama
267 403 12 04	1.00	CND	E	0.70	0.70	\$0.00	\$0.00	Samadder Amartya&Sarvani
312 141 02 00	30.02	OSP	H	0.00	0.00	\$0.00	\$0.00	Camelot Investments
678 230 04 00	300.00	SFD	H	1.00	300.00	\$0.00	\$0.00	Camelot Investments
678 230 19 00	2.61	OSP	A	0.00	0.00	\$0.00	\$0.00	Black Mountain Ranch L L C
678 230 20 00	4.54	OSP	A	0.00	0.00	\$0.00	\$0.00	Black Mountain Ranch L L C
678 230 21 00	5.39	OSP	A	0.00	0.00	\$0.00	\$0.00	Black Mountain Ranch L L C
678 230 39 00	180.00	MFR	H	0.70	126.00	\$0.00	\$0.00	Fairbanks Commons C I C L P
678 230 40 00	40.05	EPS	H	5.00	200.25	\$0.00	\$0.00	Poway Unified School District
678 230 44 00	21.71	EPS	F	5.00	108.55	\$0.00	\$0.00	Poway Unified School District
678 230 46 00	3.53	COM	F	45.00	158.85	\$0.00	\$0.00	Black Mountain Ranch L L C
678 230 48 00	100.00	MFR	F	0.70	70.00	\$0.00	\$0.00	Fairbanks Square C I C L P
678 230 49 00	146.17	OSP	A	0.00	0.00	\$0.00	\$0.00	Black Mountain Ranch L L C
678 231 01 00	1.00	SFD	H	1.00	1.00	\$0.00	\$0.00	Black Mountain Ranch L L C
678 231 02 00	1.00	SFD	H	1.00	1.00	\$0.00	\$0.00	Black Mountain Ranch L L C
678 231 03 00	1.00	SFD	H	1.00	1.00	\$0.00	\$0.00	Black Mountain Ranch L L C
678 231 04 00	1.00	SFD	H	1.00	1.00	\$0.00	\$0.00	Black Mountain Ranch L L C
678 231 05 00	1.00	SFD	H	1.00	1.00	\$0.00	\$0.00	Black Mountain Ranch L L C
678 231 06 00	1.00	SFD	H	1.00	1.00	\$0.00	\$0.00	Black Mountain Ranch L L C
678 231 07 00	1.00	SFD	H	1.00	1.00	\$0.00	\$0.00	Black Mountain Ranch L L C
678 231 08 00	1.00	SFD	H	1.00	1.00	\$0.00	\$0.00	Black Mountain Ranch L L C
678 231 09 00	1.00	SFD	H	1.00	1.00	\$0.00	\$0.00	Black Mountain Ranch L L C
678 231 10 00	1.00	SFD	H	1.00	1.00	\$0.00	\$0.00	Black Mountain Ranch L L C
678 231 11 00	1.00	SFD	H	1.00	1.00	\$0.00	\$0.00	Black Mountain Ranch L L C
678 231 12 00	1.00	SFD	H	1.00	1.00	\$0.00	\$0.00	Black Mountain Ranch L L C
678 231 13 00	1.00	SFD	H	1.00	1.00	\$0.00	\$0.00	Black Mountain Ranch L L C
678 231 14 00	1.00	SFD	H	1.00	1.00	\$0.00	\$0.00	Black Mountain Ranch L L C
678 231 15 00	1.00	SFD	H	1.00	1.00	\$0.00	\$0.00	Black Mountain Ranch L L C
678 231 16 00	1.00	SFD	H	1.00	1.00	\$0.00	\$0.00	Black Mountain Ranch L L C
678 231 17 00	1.00	SFD	H	1.00	1.00	\$0.00	\$0.00	Black Mountain Ranch L L C
678 231 18 00	1.00	SFD	H	1.00	1.00	\$0.00	\$0.00	Black Mountain Ranch L L C
678 231 19 00	1.00	SFD	H	1.00	1.00	\$0.00	\$0.00	Black Mountain Ranch L L C
678 231 20 00	1.00	SFD	H	1.00	1.00	\$0.00	\$0.00	Black Mountain Ranch L L C
678 231 21 00	1.00	SFD	H	1.00	1.00	\$0.00	\$0.00	Black Mountain Ranch L L C
678 231 22 00	1.00	SFD	H	1.00	1.00	\$0.00	\$0.00	Black Mountain Ranch L L C
678 231 23 00	1.00	SFD	H	1.00	1.00	\$0.00	\$0.00	Black Mountain Ranch L L C
678 231 24 00	1.00	SFD	H	1.00	1.00	\$0.00	\$0.00	Black Mountain Ranch L L C
678 231 25 00	1.00	SFD	H	1.00	1.00	\$0.00	\$0.00	Black Mountain Ranch L L C









**EXHIBIT C - Assessment Roll (Fiscal Year 2015)**  
**Black Mountain Ranch North Maintenance Assessment District**

Parcel Number	Acres/ Units <sup>(1)</sup>	Land Use Code <sup>(2)</sup>	Zone	Land Use Factor <sup>(2)</sup>	Total EBUs	Unit Cost (\$/Ebu)	FY 2015 (3) Assessment	Owner Name
678 235 46 00	1.00	SFD	H	1.00	1.00	\$0.00	\$0.00	Black Mountain Ranch L L C
678 236 01 00	1.00	SFD	H	1.00	1.00	\$0.00	\$0.00	Black Mountain Ranch L L C
678 236 02 00	1.00	SFD	H	1.00	1.00	\$0.00	\$0.00	Black Mountain Ranch L L C
678 236 03 00	1.00	SFD	H	1.00	1.00	\$0.00	\$0.00	Black Mountain Ranch L L C
678 236 04 00	1.00	SFD	H	1.00	1.00	\$0.00	\$0.00	Black Mountain Ranch L L C
678 236 05 00	1.00	SFD	H	1.00	1.00	\$0.00	\$0.00	Black Mountain Ranch L L C
678 236 06 00	1.00	SFD	H	1.00	1.00	\$0.00	\$0.00	Black Mountain Ranch L L C
678 236 07 00	1.00	SFD	H	1.00	1.00	\$0.00	\$0.00	Black Mountain Ranch L L C
678 236 08 00	1.00	SFD	H	1.00	1.00	\$0.00	\$0.00	Black Mountain Ranch L L C
678 236 09 00	1.00	SFD	H	1.00	1.00	\$0.00	\$0.00	Black Mountain Ranch L L C
678 236 10 00	1.00	SFD	H	1.00	1.00	\$0.00	\$0.00	Black Mountain Ranch L L C
678 236 11 00	1.00	SFD	H	1.00	1.00	\$0.00	\$0.00	Black Mountain Ranch L L C
678 236 12 00	1.00	SFD	H	1.00	1.00	\$0.00	\$0.00	Black Mountain Ranch L L C
678 236 13 00	1.00	SFD	H	1.00	1.00	\$0.00	\$0.00	Black Mountain Ranch L L C
678 236 14 00	1.00	SFD	H	1.00	1.00	\$0.00	\$0.00	Black Mountain Ranch L L C
678 236 15 00	1.00	SFD	H	1.00	1.00	\$0.00	\$0.00	Black Mountain Ranch L L C
678 236 16 00	1.00	SFD	H	1.00	1.00	\$0.00	\$0.00	Black Mountain Ranch L L C
678 236 17 00	1.00	SFD	H	1.00	1.00	\$0.00	\$0.00	Black Mountain Ranch L L C
678 236 18 00	1.00	SFD	H	1.00	1.00	\$0.00	\$0.00	Black Mountain Ranch L L C
678 236 19 00	1.00	SFD	H	1.00	1.00	\$0.00	\$0.00	Black Mountain Ranch L L C
678 236 20 00	1.00	SFD	H	1.00	1.00	\$0.00	\$0.00	Black Mountain Ranch L L C
678 236 21 00	1.00	SFD	H	1.00	1.00	\$0.00	\$0.00	Black Mountain Ranch L L C
678 236 22 00	1.00	SFD	H	1.00	1.00	\$0.00	\$0.00	Black Mountain Ranch L L C
678 236 23 00	1.00	SFD	H	1.00	1.00	\$0.00	\$0.00	Black Mountain Ranch L L C
678 236 24 00	1.00	SFD	H	1.00	1.00	\$0.00	\$0.00	Black Mountain Ranch L L C
678 236 25 00	0.05	OSP	H	0.00	0.00	\$0.00	\$0.00	Black Mountain Ranch L L C
678 236 26 00	0.07	OSP	H	0.00	0.00	\$0.00	\$0.00	Black Mountain Ranch L L C
678 236 27 00	0.05	OSP	H	0.00	0.00	\$0.00	\$0.00	Black Mountain Ranch L L C
678 236 28 00	0.06	OSP	H	0.00	0.00	\$0.00	\$0.00	Black Mountain Ranch L L C
678 236 29 00	0.05	OSP	H	0.00	0.00	\$0.00	\$0.00	Black Mountain Ranch L L C
678 237 01 00	5.45	OSP	H	0.00	0.00	\$0.00	\$0.00	Black Mountain Ranch L L C
678 237 02 00	3.56	OSP	H	0.00	0.00	\$0.00	\$0.00	Black Mountain Ranch L L C
678 237 03 00	3.07	OSP	H	0.00	0.00	\$0.00	\$0.00	Black Mountain Ranch L L C
678 237 04 00	16.19	OSP	H	0.00	0.00	\$0.00	\$0.00	Black Mountain Ranch L L C
678 237 05 00	2.27	OSP	H	0.00	0.00	\$0.00	\$0.00	Black Mountain Ranch L L C
678 237 06 00	7.48	OSP	H	0.00	0.00	\$0.00	\$0.00	Black Mountain Ranch L L C
678 237 07 00	0.07	OSP	H	0.00	0.00	\$0.00	\$0.00	Black Mountain Ranch L L C
678 237 08 00	0.01	OSP	H	0.00	0.00	\$0.00	\$0.00	Black Mountain Ranch L L C
678 620 01 00	119.00	MFR	A	0.70	83.30	\$0.00	\$0.00	Santaluz Family Apts L P
678 620 05 00	0.05	OSP	A	0.00	0.00	\$0.00	\$0.00	Santaluz L L C
678 620 06 00	0.08	OSP	A	0.00	0.00	\$0.00	\$0.00	La Vina Maintenance Corporation
678 620 07 00	0.84	OSP	A	0.00	0.00	\$0.00	\$0.00	La Vina Maintenance Corp
678 620 08 00	1.20	STR	A	0.00	0.00	\$0.00	\$0.00	La Vina Maintenance Corp
678 620 09 01	1.00	SFD	A	1.00	1.00	\$0.00	\$0.00	Alam Jahangir&Rasheda A
678 620 09 02	1.00	SFD	A	1.00	1.00	\$0.00	\$0.00	Sivanandam Sathiyamoorthy&Sathiyamoorthy Latha
678 620 09 03	1.00	SFD	A	1.00	1.00	\$0.00	\$0.00	Umapathy Arunsundar&Subramanian Kavitha
678 620 09 04	1.00	SFD	A	1.00	1.00	\$0.00	\$0.00	Ibarrola Andrew R&Eulalyn S
678 620 09 05	1.00	SFD	A	1.00	1.00	\$0.00	\$0.00	Sherafatmand Sam
678 620 09 06	1.00	SFD	A	1.00	1.00	\$0.00	\$0.00	Remigio Ryan J&Jeaneath S
678 620 09 07	1.00	SFD	A	1.00	1.00	\$0.00	\$0.00	Parikh Kunjalkumar A
678 620 09 08	1.00	SFD	A	1.00	1.00	\$0.00	\$0.00	Lin Susan T S
678 620 09 09	1.00	SFD	A	1.00	1.00	\$0.00	\$0.00	Wang Long&Fang Fang
678 620 10 01	1.00	SFD	A	1.00	1.00	\$0.00	\$0.00	Liang Jie
678 620 10 02	1.00	SFD	A	1.00	1.00	\$0.00	\$0.00	Mohanty Rashmi R&Patnaik Ananya
678 620 10 03	1.00	SFD	A	1.00	1.00	\$0.00	\$0.00	Trupp Carla L Trust 04-04-12
678 620 10 04	1.00	SFD	A	1.00	1.00	\$0.00	\$0.00	Park Sung Sin
678 620 10 05	1.00	SFD	A	1.00	1.00	\$0.00	\$0.00	Krause Robert E&Deanna M
678 620 10 06	1.00	SFD	A	1.00	1.00	\$0.00	\$0.00	Zhang Wentian&Yong
678 620 11 01	1.00	SFD	A	1.00	1.00	\$0.00	\$0.00	Liu Limin&Jianmei



**EXHIBIT C - Assessment Roll (Fiscal Year 2015)**  
**Black Mountain Ranch North Maintenance Assessment District**

Parcel Number	Acres/ Units <sup>(1)</sup>	Land Use Code <sup>(2)</sup>	Zone	Land Use Factor <sup>(2)</sup>	Total EBUs	Unit Cost (\$/EUBU)	FY 2015 (3) Assessment	Owner Name
678 620 11 02	1.00	SFD	A	1.00	1.00	\$0.00	\$0.00	Javien Orlando U Jr&Svetlana G
678 620 11 03	1.00	SFD	A	1.00	1.00	\$0.00	\$0.00	Kazemzadeh Medhi M
678 620 11 04	1.00	SFD	A	1.00	1.00	\$0.00	\$0.00	Botello Melissa
678 620 11 05	1.00	SFD	A	1.00	1.00	\$0.00	\$0.00	16752 Saintsbury Glen Intervivos Revocable Trust 07-17-12
678 620 11 06	1.00	SFD	A	1.00	1.00	\$0.00	\$0.00	Zhou Zhengyu&Zhu Min
678 620 11 07	1.00	SFD	A	1.00	1.00	\$0.00	\$0.00	Sanding Anthony N&Maria R
678 620 11 08	1.00	SFD	A	1.00	1.00	\$0.00	\$0.00	Yadlapalli Vikas&Yella Naga L
678 620 12 01	1.00	SFD	A	1.00	1.00	\$0.00	\$0.00	Kleist Michael J&Connie W
678 620 12 02	1.00	SFD	A	1.00	1.00	\$0.00	\$0.00	Liu Weiliang&Shi Qian
678 620 12 03	1.00	SFD	A	1.00	1.00	\$0.00	\$0.00	Chou Alan
678 620 12 04	1.00	SFD	A	1.00	1.00	\$0.00	\$0.00	Miller Perry A&Ann
678 620 12 05	1.00	SFD	A	1.00	1.00	\$0.00	\$0.00	Lukmani Mustafa&Patanwala Tasneem
678 620 12 06	1.00	SFD	A	1.00	1.00	\$0.00	\$0.00	Liu Jun&Suo Lin
678 620 12 07	1.00	SFD	A	1.00	1.00	\$0.00	\$0.00	Rehmani Hamida
678 620 12 08	1.00	SFD	A	1.00	1.00	\$0.00	\$0.00	Huizar Scott V
678 620 13 01	1.00	SFD	A	1.00	1.00	\$0.00	\$0.00	Wei Longyin&Ke Zhi
678 620 13 02	1.00	SFD	A	1.00	1.00	\$0.00	\$0.00	Amini Ataollah
678 620 13 03	1.00	SFD	A	1.00	1.00	\$0.00	\$0.00	Huang Po Hao&Ho Chi Hua
678 620 13 04	1.00	SFD	A	1.00	1.00	\$0.00	\$0.00	Raj Saran&Saran Sangeetha
678 620 13 05	1.00	SFD	A	1.00	1.00	\$0.00	\$0.00	Muthukumar Ramachandran
678 620 13 06	1.00	SFD	A	1.00	1.00	\$0.00	\$0.00	Juneja Anupam&Kalra Sonal
678 620 14 01	1.00	SFD	A	1.00	1.00	\$0.00	\$0.00	Mata Family Revocable Trust 09-26-12
678 620 14 02	1.00	SFD	A	1.00	1.00	\$0.00	\$0.00	Deanda Franco H&Jana
678 620 14 03	1.00	SFD	A	1.00	1.00	\$0.00	\$0.00	Latour Dan&Debra
678 620 14 04	1.00	SFD	A	1.00	1.00	\$0.00	\$0.00	Smith Adam P
678 620 14 05	1.00	SFD	A	1.00	1.00	\$0.00	\$0.00	Pacheco Jose R&Kawar Dina
678 620 14 06	1.00	SFD	A	1.00	1.00	\$0.00	\$0.00	Lau Allen&Hu Ming
678 620 14 07	1.00	SFD	A	1.00	1.00	\$0.00	\$0.00	Patel Family Trust 08-30-06
678 620 14 08	1.00	SFD	A	1.00	1.00	\$0.00	\$0.00	Venkataraman Anand&Rajagopalan Lakshmi
678 620 14 09	1.00	SFD	A	1.00	1.00	\$0.00	\$0.00	Rehberg Eric&Lisa
678 681 13 00	1.00	SFD	G	1.00	1.00	\$0.00	\$0.00	Faulkner Evan C&Megan K
678 681 14 00	1.00	SFD	G	1.00	1.00	\$0.00	\$0.00	Olsen Jonathan A&Deanna M
678 681 15 00	1.00	SFD	G	1.00	1.00	\$0.00	\$0.00	Lafontaine Devin&Bernard Stephanie
678 681 16 00	1.00	SFD	G	1.00	1.00	\$0.00	\$0.00	Busse Brian C&Wong Christeanna
678 681 17 00	1.00	SFD	G	1.00	1.00	\$0.00	\$0.00	Spic Del Sur L L C
678 681 18 00	0.05	OSP	G	0.00	0.00	\$0.00	\$0.00	Del Sur Community Assn
678 681 19 00	1.00	SFD	G	1.00	1.00	\$0.00	\$0.00	Spic Del Sur L L C
678 681 20 00	1.00	SFD	G	1.00	1.00	\$0.00	\$0.00	Black Mountain Ranch L L C
678 681 21 00	1.00	SFD	G	1.00	1.00	\$0.00	\$0.00	Black Mountain Ranch L L C
678 681 22 00	1.00	SFD	G	1.00	1.00	\$0.00	\$0.00	Black Mountain Ranch L L C
678 681 23 00	1.00	SFD	G	1.00	1.00	\$0.00	\$0.00	Black Mountain Ranch L L C
678 681 24 00	1.00	SFD	G	1.00	1.00	\$0.00	\$0.00	Black Mountain Ranch L L C
678 681 25 00	1.00	SFD	G	1.00	1.00	\$0.00	\$0.00	Black Mountain Ranch L L C
678 681 26 00	1.00	SFD	G	1.00	1.00	\$0.00	\$0.00	Black Mountain Ranch L L C
678 681 27 00	1.00	SFD	G	1.00	1.00	\$0.00	\$0.00	Black Mountain Ranch L L C
678 681 28 00	1.00	SFD	G	1.00	1.00	\$0.00	\$0.00	Black Mountain Ranch L L C
678 681 29 00	1.00	SFD	G	1.00	1.00	\$0.00	\$0.00	Black Mountain Ranch L L C
678 681 30 00	1.00	SFD	G	1.00	1.00	\$0.00	\$0.00	Black Mountain Ranch L L C
678 681 31 00	1.00	SFD	G	1.00	1.00	\$0.00	\$0.00	Black Mountain Ranch L L C
678 681 32 00	1.00	SFD	G	1.00	1.00	\$0.00	\$0.00	Black Mountain Ranch L L C
678 681 33 00	1.00	SFD	G	1.00	1.00	\$0.00	\$0.00	Black Mountain Ranch L L C
678 681 34 00	1.00	SFD	G	1.00	1.00	\$0.00	\$0.00	Black Mountain Ranch L L C
678 681 35 00	1.00	SFD	G	1.00	1.00	\$0.00	\$0.00	Black Mountain Ranch L L C
678 681 36 00	1.00	SFD	G	1.00	1.00	\$0.00	\$0.00	Black Mountain Ranch L L C
678 681 37 00	1.00	SFD	G	1.00	1.00	\$0.00	\$0.00	Black Mountain Ranch L L C
678 681 38 00	1.00	SFD	G	1.00	1.00	\$0.00	\$0.00	Black Mountain Ranch L L C
678 681 39 00	1.00	SFD	G	1.00	1.00	\$0.00	\$0.00	Black Mountain Ranch L L C
678 681 40 00	1.00	SFD	G	1.00	1.00	\$0.00	\$0.00	Black Mountain Ranch L L C
678 681 41 00	1.00	SFD	G	1.00	1.00	\$0.00	\$0.00	Black Mountain Ranch L L C

**EXHIBIT C - Assessment Roll (Fiscal Year 2015)**  
**Black Mountain Ranch North Maintenance Assessment District**

Parcel Number	Acres/ Units <sup>(1)</sup>	Land Use Code <sup>(2)</sup>	Zone	Land Use Factor <sup>(2)</sup>	Total EBUs	Unit Cost (\$/EUBU)	FY 2015 (3) Assessment	Owner Name
678 681 42 00	1.00	SFD	G	1.00	1.00	\$0.00	\$0.00	Black Mountain Ranch L L C
678 681 43 00	1.00	SFD	G	1.00	1.00	\$0.00	\$0.00	Black Mountain Ranch L L C
678 681 44 00	1.00	SFD	G	1.00	1.00	\$0.00	\$0.00	Black Mountain Ranch L L C
678 681 45 00	1.00	SFD	G	1.00	1.00	\$0.00	\$0.00	Black Mountain Ranch L L C
678 681 46 00	1.00	SFD	G	1.00	1.00	\$0.00	\$0.00	Black Mountain Ranch L L C
678 681 47 00	1.00	SFD	G	1.00	1.00	\$0.00	\$0.00	Black Mountain Ranch L L C
678 681 48 00	1.00	SFD	G	1.00	1.00	\$0.00	\$0.00	Black Mountain Ranch L L C
678 681 49 00	1.00	SFD	G	1.00	1.00	\$0.00	\$0.00	Black Mountain Ranch L L C
678 681 50 00	1.00	SFD	G	1.00	1.00	\$0.00	\$0.00	Black Mountain Ranch L L C
678 681 51 00	1.00	SFD	G	1.00	1.00	\$0.00	\$0.00	Black Mountain Ranch L L C
678 681 52 00	1.00	SFD	G	1.00	1.00	\$0.00	\$0.00	Black Mountain Ranch L L C
678 681 53 00	1.00	SFD	G	1.00	1.00	\$0.00	\$0.00	Black Mountain Ranch L L C
678 681 54 00	1.00	SFD	G	1.00	1.00	\$0.00	\$0.00	Black Mountain Ranch L L C
678 681 55 00	1.00	SFD	G	1.00	1.00	\$0.00	\$0.00	Black Mountain Ranch L L C
678 681 56 00	1.00	SFD	G	1.00	1.00	\$0.00	\$0.00	Black Mountain Ranch L L C
678 681 57 00	1.00	SFD	G	1.00	1.00	\$0.00	\$0.00	Black Mountain Ranch L L C
678 681 58 00	1.00	SFD	G	1.00	1.00	\$0.00	\$0.00	Black Mountain Ranch L L C
678 681 59 00	1.00	SFD	G	1.00	1.00	\$0.00	\$0.00	Black Mountain Ranch L L C
678 681 60 00	1.00	SFD	G	1.00	1.00	\$0.00	\$0.00	Black Mountain Ranch L L C
678 681 61 00	1.17	OSP	G	0.00	0.00	\$0.00	\$0.00	Black Mountain Ranch L L C
678 681 62 00	0.03	OSP	G	0.00	0.00	\$0.00	\$0.00	Black Mountain Ranch L L C
678 681 63 00	9.00	MFR	G	0.70	6.30	\$0.00	\$0.00	Spic Del Sur L L C
678 682 02 00	1.00	SFD	G	1.00	1.00	\$0.00	\$0.00	Spic Del Sur L L C
678 682 03 00	1.00	SFD	G	1.00	1.00	\$0.00	\$0.00	Spic Del Sur L L C
678 682 04 00	1.00	SFD	G	1.00	1.00	\$0.00	\$0.00	Spic Del Sur L L C
678 682 05 00	1.00	SFD	G	1.00	1.00	\$0.00	\$0.00	Spic Del Sur L L C
678 682 06 00	1.00	SFD	G	1.00	1.00	\$0.00	\$0.00	Spic Del Sur L L C
678 682 07 00	1.00	SFD	G	1.00	1.00	\$0.00	\$0.00	Spic Del Sur L L C
678 682 08 00	1.00	SFD	G	1.00	1.00	\$0.00	\$0.00	Spic Del Sur L L C
678 682 09 00	1.00	SFD	G	1.00	1.00	\$0.00	\$0.00	Spic Del Sur L L C
678 682 10 00	1.00	SFD	G	1.00	1.00	\$0.00	\$0.00	Spic Del Sur L L C
678 682 11 00	1.00	SFD	G	1.00	1.00	\$0.00	\$0.00	Spic Del Sur L L C
678 682 12 00	1.00	SFD	G	1.00	1.00	\$0.00	\$0.00	Spic Del Sur L L C
678 682 13 00	1.00	SFD	G	1.00	1.00	\$0.00	\$0.00	Spic Del Sur L L C
678 682 14 00	1.00	SFD	G	1.00	1.00	\$0.00	\$0.00	Spic Del Sur L L C
678 682 15 00	1.00	SFD	G	1.00	1.00	\$0.00	\$0.00	Spic Del Sur L L C
678 682 16 00	1.00	SFD	G	1.00	1.00	\$0.00	\$0.00	Spic Del Sur L L C
678 682 17 00	1.00	SFD	G	1.00	1.00	\$0.00	\$0.00	Spic Del Sur L L C
678 682 18 00	1.00	SFD	G	1.00	1.00	\$0.00	\$0.00	Spic Del Sur L L C
678 682 19 00	1.00	SFD	G	1.00	1.00	\$0.00	\$0.00	Spic Del Sur L L C
678 682 20 00	1.00	SFD	G	1.00	1.00	\$0.00	\$0.00	Spic Del Sur L L C
678 682 21 00	1.00	SFD	G	1.00	1.00	\$0.00	\$0.00	Spic Del Sur L L C
678 682 22 00	1.00	SFD	G	1.00	1.00	\$0.00	\$0.00	Spic Del Sur L L C
678 682 23 00	1.00	SFD	G	1.00	1.00	\$0.00	\$0.00	Spic Del Sur L L C
678 682 24 00	1.00	SFD	G	1.00	1.00	\$0.00	\$0.00	Spic Del Sur L L C
678 682 25 00	1.00	SFD	G	1.00	1.00	\$0.00	\$0.00	Spic Del Sur L L C
678 682 26 00	1.00	SFD	G	1.00	1.00	\$0.00	\$0.00	Spic Del Sur L L C
678 682 27 00	1.00	SFD	G	1.00	1.00	\$0.00	\$0.00	Paka Suresh&Gnaneswar Vijaya V A
678 682 28 00	1.00	SFD	G	1.00	1.00	\$0.00	\$0.00	Jarang Rajesh V&Vidya R
678 682 29 00	1.00	SFD	G	1.00	1.00	\$0.00	\$0.00	Mareboina Naveen C&Udaya A
678 682 30 00	1.00	SFD	G	1.00	1.00	\$0.00	\$0.00	Joseph James D&Tracy C
678 682 31 00	1.00	SFD	G	1.00	1.00	\$0.00	\$0.00	Spic Del Sur L L C
678 682 32 00	1.00	SFD	G	1.00	1.00	\$0.00	\$0.00	Spic Del Sur L L C
678 682 33 00	1.00	SFD	G	1.00	1.00	\$0.00	\$0.00	Kollus John&Melinda K
678 682 34 00	1.00	SFD	G	1.00	1.00	\$0.00	\$0.00	Huang Wei&Tao Fei
678 682 35 00	1.00	SFD	G	1.00	1.00	\$0.00	\$0.00	Yue Herbert&Dao Mimi
678 682 36 00	1.00	SFD	G	1.00	1.00	\$0.00	\$0.00	Atkins Brett&Kristin
678 682 37 00	1.00	SFD	G	1.00	1.00	\$0.00	\$0.00	Billimoria Paul P&Christina P Family Trust10-31-07 Et Al
678 682 38 00	1.00	SFD	G	1.00	1.00	\$0.00	\$0.00	Spic Del Sur L L C

**EXHIBIT C - Assessment Roll (Fiscal Year 2015)**  
**Black Mountain Ranch North Maintenance Assessment District**

Parcel Number	Acres/ Units <sup>(1)</sup>	Land Use Code <sup>(2)</sup>	Zone	Land Use Factor <sup>(2)</sup>	Total EBUs	Unit Cost (\$/Ebu)	FY 2015 (3) Assessment	Owner Name
678 682 39 00	1.00	SFD	G	1.00	1.00	\$0.00	\$0.00	Spic Del Sur L L C
678 682 40 00	1.00	SFD	G	1.00	1.00	\$0.00	\$0.00	Spic Del Sur L L C
678 682 47 00	2.43	OSP	G	0.00	0.00	\$0.00	\$0.00	Black Mountain Ranch L L C
678 682 48 00	4.17	OSP	G	0.00	0.00	\$0.00	\$0.00	Black Mountain Ranch L L C
678 682 49 00	0.03	OSP	G	0.00	0.00	\$0.00	\$0.00	Black Mountain Ranch L L C
678 682 50 00	0.03	OSP	G	0.00	0.00	\$0.00	\$0.00	Black Mountain Ranch L L C
678 682 51 00	0.04	OSP	G	0.00	0.00	\$0.00	\$0.00	Black Mountain Ranch L L C
678 682 53 00	0.04	OSP	G	0.00	0.00	\$0.00	\$0.00	Black Mountain Ranch L L C
678 682 54 00	0.04	OSP	G	0.00	0.00	\$0.00	\$0.00	Black Mountain Ranch L L C
678 682 55 00	0.02	OSP	G	0.00	0.00	\$0.00	\$0.00	Black Mountain Ranch L L C
678 682 56 00	0.02	OSP	G	0.00	0.00	\$0.00	\$0.00	Black Mountain Ranch L L C
678 682 57 00	0.19	STR	G	0.00	0.00	\$0.00	\$0.00	Black Mountain Ranch L L C
678 682 58 00	0.14	STR	G	0.00	0.00	\$0.00	\$0.00	Black Mountain Ranch L L C
678 682 59 00	0.06	STR	G	0.00	0.00	\$0.00	\$0.00	Black Mountain Ranch L L C
678 682 60 00	0.05	OSP	G	0.00	0.00	\$0.00	\$0.00	Black Mountain Ranch L L C
678 682 61 00	0.04	OSP	G	0.00	0.00	\$0.00	\$0.00	Black Mountain Ranch L L C
678 682 62 00	0.03	OSP	G	0.00	0.00	\$0.00	\$0.00	Del Sur Community Assn
678 682 63 00	0.06	OSP	G	0.00	0.00	\$0.00	\$0.00	Black Mountain Ranch L L C
678 682 64 00	0.05	STR	G	0.00	0.00	\$0.00	\$0.00	Black Mountain Ranch L L C
678 682 65 00	0.48	STR	G	0.00	0.00	\$0.00	\$0.00	Black Mountain Ranch L L C
678 682 66 00	0.15	STR	G	0.00	0.00	\$0.00	\$0.00	Black Mountain Ranch L L C
678 682 67 00	0.17	STR	G	0.00	0.00	\$0.00	\$0.00	Black Mountain Ranch L L C
678 682 77 00	1.00	SFD	G	1.00	1.00	\$0.00	\$0.00	Spic Del Sur L L C
678 682 78 00	1.00	SFD	G	1.00	1.00	\$0.00	\$0.00	Spic Del Sur L L C
678 682 79 00	1.00	SFD	G	1.00	1.00	\$0.00	\$0.00	Spic Del Sur L L C
678 682 80 00	1.00	SFD	G	1.00	1.00	\$0.00	\$0.00	Spic Del Sur L L C
678 682 81 00	1.00	SFD	G	1.00	1.00	\$0.00	\$0.00	Spic Del Sur L L C
678 682 82 00	0.39	OSP	G	0.00	0.00	\$0.00	\$0.00	Black Mountain Ranch L L C
678 682 83 00	0.39	OSP	G	0.00	0.00	\$0.00	\$0.00	Black Mountain Ranch L L C
678 682 84 00	0.13	OSP	G	0.00	0.00	\$0.00	\$0.00	Black Mountain Ranch L L C
678 682 85 00	2.09	OSP	G	0.00	0.00	\$0.00	\$0.00	Black Mountain Ranch L L C
678 682 86 00	0.11	OSP	G	0.00	0.00	\$0.00	\$0.00	Black Mountain Ranch L L C
678 682 87 00	0.82	PKU	G	0.50	0.41	\$0.00	\$0.00	Black Mountain Ranch L L C
678 682 88 00	0.37	OSP	G	0.00	0.00	\$0.00	\$0.00	Black Mountain Ranch L L C
678 683 01 00	1.00	SFD	G	1.00	1.00	\$0.00	\$0.00	Spic Del Sur L L C
678 683 02 00	1.00	SFD	G	1.00	1.00	\$0.00	\$0.00	Spic Del Sur L L C
678 683 03 00	1.00	SFD	G	1.00	1.00	\$0.00	\$0.00	Spic Del Sur L L C
678 683 04 00	1.00	SFD	G	1.00	1.00	\$0.00	\$0.00	Spic Del Sur L L C
678 683 05 00	1.00	SFD	G	1.00	1.00	\$0.00	\$0.00	Spic Del Sur L L C
678 683 06 00	1.00	SFD	G	1.00	1.00	\$0.00	\$0.00	Zhang Donghui&Chen Yuqing
678 683 07 00	1.00	SFD	G	1.00	1.00	\$0.00	\$0.00	Chukkala Vishwanath&Parre Shruthi
678 683 08 00	1.00	SFD	G	1.00	1.00	\$0.00	\$0.00	Lee Justin Y&Fung Michelle M
678 683 09 00	1.00	SFD	G	1.00	1.00	\$0.00	\$0.00	Miyan Ravindra&Poonam
678 683 10 00	1.00	SFD	G	1.00	1.00	\$0.00	\$0.00	Anderson Family Trust 09-27-13
678 683 11 00	1.00	SFD	G	1.00	1.00	\$0.00	\$0.00	Jaime Carlo E C
678 683 12 00	1.00	SFD	G	1.00	1.00	\$0.00	\$0.00	Mijares Richard&Rachel
678 683 13 00	1.00	SFD	G	1.00	1.00	\$0.00	\$0.00	Bodepudi Durga S&Lakshmi S
678 683 14 00	1.00	SFD	G	1.00	1.00	\$0.00	\$0.00	Chen Xiaoming&Zang Yan
678 683 15 00	1.00	SFD	G	1.00	1.00	\$0.00	\$0.00	Campbell Ann C
678 683 16 00	1.00	SFD	G	1.00	1.00	\$0.00	\$0.00	Sardena Theodore&Anne
678 683 17 00	1.00	SFD	G	1.00	1.00	\$0.00	\$0.00	Kim Christopher J&Rosa
678 683 18 00	1.00	SFD	G	1.00	1.00	\$0.00	\$0.00	Mine Blake T&Kathryn W
678 683 19 00	1.00	SFD	G	1.00	1.00	\$0.00	\$0.00	Flegal James&Amanda
678 683 20 00	1.00	SFD	G	1.00	1.00	\$0.00	\$0.00	Chin Michael G&Tiffany Maelim Liu
678 683 21 00	1.00	SFD	G	1.00	1.00	\$0.00	\$0.00	Lederer Family Trust 08-29-02
678 683 22 00	1.00	SFD	G	1.00	1.00	\$0.00	\$0.00	Spic Del Sur L L C
678 683 23 00	1.00	SFD	G	1.00	1.00	\$0.00	\$0.00	Spic Del Sur L L C
678 683 24 00	1.00	SFD	G	1.00	1.00	\$0.00	\$0.00	Spic Del Sur L L C
678 683 25 00	1.00	SFD	G	1.00	1.00	\$0.00	\$0.00	Spic Del Sur L L C

**EXHIBIT C - Assessment Roll (Fiscal Year 2015)**  
**Black Mountain Ranch North Maintenance Assessment District**

Parcel Number	Acres/ Units <sup>(1)</sup>	Land Use Code <sup>(2)</sup>	Zone	Land Use Factor <sup>(2)</sup>	Total EBUs	Unit Cost (\$/Ebu)	FY 2015 (3) Assessment	Owner Name
678 683 26 00	1.00	SFD	G	1.00	1.00	\$0.00	\$0.00	Spic Del Sur L L C
678 683 27 00	1.00	SFD	G	1.00	1.00	\$0.00	\$0.00	Spic Del Sur L L C
678 683 28 00	1.00	SFD	G	1.00	1.00	\$0.00	\$0.00	Spic Del Sur L L C
678 683 29 00	1.00	SFD	G	1.00	1.00	\$0.00	\$0.00	Spic Del Sur L L C
678 683 30 00	1.00	SFD	G	1.00	1.00	\$0.00	\$0.00	Spic Del Sur L L C
678 683 31 00	1.00	SFD	G	1.00	1.00	\$0.00	\$0.00	Spic Del Sur L L C
678 683 32 00	1.00	SFD	G	1.00	1.00	\$0.00	\$0.00	Spic Del Sur L L C
678 683 33 00	1.00	SFD	G	1.00	1.00	\$0.00	\$0.00	Spic Del Sur L L C
678 683 34 00	1.00	SFD	G	1.00	1.00	\$0.00	\$0.00	Spic Del Sur L L C
678 683 35 00	1.00	SFD	G	1.00	1.00	\$0.00	\$0.00	Spic Del Sur L L C
678 683 36 00	1.00	SFD	G	1.00	1.00	\$0.00	\$0.00	Spic Del Sur L L C
678 683 37 00	1.00	SFD	G	1.00	1.00	\$0.00	\$0.00	Spic Del Sur L L C
678 683 38 00	1.00	SFD	G	1.00	1.00	\$0.00	\$0.00	Spic Del Sur L L C
678 683 39 00	1.00	SFD	G	1.00	1.00	\$0.00	\$0.00	Spic Del Sur L L C
678 683 40 00	1.00	SFD	G	1.00	1.00	\$0.00	\$0.00	Spic Del Sur L L C
678 683 41 00	0.79	PKU	G	0.50	0.40	\$0.00	\$0.00	Black Mountain Ranch L L C
678 683 42 00	0.43	OSP	G	0.00	0.00	\$0.00	\$0.00	Black Mountain Ranch L L C
678 683 43 00	0.06	OSP	G	0.00	0.00	\$0.00	\$0.00	Black Mountain Ranch L L C
678 683 44 00	0.03	OSP	G	0.00	0.00	\$0.00	\$0.00	Del Sur Community Assn
678 683 45 00	0.04	OSP	G	0.00	0.00	\$0.00	\$0.00	Del Sur Community Assn
678 683 46 00	0.04	OSP	G	0.00	0.00	\$0.00	\$0.00	Del Sur Community Assn
678 683 47 00	0.03	OSP	G	0.00	0.00	\$0.00	\$0.00	Del Sur Community Assn
678 683 48 00	0.03	OSP	G	0.00	0.00	\$0.00	\$0.00	Del Sur Community Assn
678 683 49 00	0.17	STR	G	0.00	0.00	\$0.00	\$0.00	Black Mountain Ranch L L C
678 683 50 00	0.04	OSP	G	0.00	0.00	\$0.00	\$0.00	Black Mountain Ranch L L C
678 683 51 00	0.06	STR	G	0.00	0.00	\$0.00	\$0.00	Black Mountain Ranch L L C
678 683 52 00	0.19	STR	G	0.00	0.00	\$0.00	\$0.00	Black Mountain Ranch L L C
678 683 53 00	0.19	STR	G	0.00	0.00	\$0.00	\$0.00	Del Sur Community Assn
678 683 54 00	0.23	STR	G	0.00	0.00	\$0.00	\$0.00	Black Mountain Ranch L L C
678 683 55 00	0.05	OSP	G	0.00	0.00	\$0.00	\$0.00	Black Mountain Ranch L L C
678 684 01 00	1.00	SFD	G	1.00	1.00	\$0.00	\$0.00	Spic Del Sur L L C
678 684 02 00	1.00	SFD	G	1.00	1.00	\$0.00	\$0.00	Spic Del Sur L L C
678 684 03 00	1.00	SFD	G	1.00	1.00	\$0.00	\$0.00	Spic Del Sur L L C
678 684 04 00	1.00	SFD	G	1.00	1.00	\$0.00	\$0.00	Spic Del Sur L L C
678 684 05 00	1.00	SFD	G	1.00	1.00	\$0.00	\$0.00	Spic Del Sur L L C
678 684 06 00	1.00	SFD	G	1.00	1.00	\$0.00	\$0.00	Spic Del Sur L L C
678 684 07 00	1.00	SFD	G	1.00	1.00	\$0.00	\$0.00	Spic Del Sur L L C
678 684 08 00	1.00	SFD	G	1.00	1.00	\$0.00	\$0.00	Spic Del Sur L L C
678 684 09 00	1.00	SFD	G	1.00	1.00	\$0.00	\$0.00	Spic Del Sur L L C
678 684 10 00	1.00	SFD	G	1.00	1.00	\$0.00	\$0.00	Spic Del Sur L L C
678 684 11 00	1.00	SFD	G	1.00	1.00	\$0.00	\$0.00	Spic Del Sur L L C
678 684 12 00	1.00	SFD	G	1.00	1.00	\$0.00	\$0.00	Spic Del Sur L L C
678 684 13 00	1.00	SFD	G	1.00	1.00	\$0.00	\$0.00	Spic Del Sur L L C
678 684 14 00	1.00	SFD	G	1.00	1.00	\$0.00	\$0.00	Spic Del Sur L L C
678 684 15 00	1.00	SFD	G	1.00	1.00	\$0.00	\$0.00	Spic Del Sur L L C
678 684 16 00	1.00	SFD	G	1.00	1.00	\$0.00	\$0.00	Spic Del Sur L L C
678 684 17 00	1.00	SFD	G	1.00	1.00	\$0.00	\$0.00	Spic Del Sur L L C
678 684 18 00	1.00	SFD	G	1.00	1.00	\$0.00	\$0.00	Brookfield D S 39 L L C
678 684 19 00	1.00	SFD	G	1.00	1.00	\$0.00	\$0.00	Brookfield D S 39 L L C
678 684 20 00	1.00	SFD	G	1.00	1.00	\$0.00	\$0.00	Brookfield D S 39 L L C
678 684 21 00	1.00	SFD	G	1.00	1.00	\$0.00	\$0.00	Brookfield D S 39 L L C
678 684 27 00	6.32	OSP	G	0.00	0.00	\$0.00	\$0.00	Black Mountain Ranch L L C
678 684 29 00	0.11	OSP	G	0.00	0.00	\$0.00	\$0.00	Black Mountain Ranch L L C
678 684 31 00	0.01	OSP	G	0.00	0.00	\$0.00	\$0.00	Spic Del Sur L L C
678 684 32 00	0.01	OSP	G	0.00	0.00	\$0.00	\$0.00	Spic Del Sur L L C
678 685 01 00	1.00	SFD	G	1.00	1.00	\$0.00	\$0.00	Brookfield D S 39 L L C
678 685 02 00	1.00	SFD	G	1.00	1.00	\$0.00	\$0.00	Brookfield D S 39 L L C
678 685 03 00	1.00	SFD	G	1.00	1.00	\$0.00	\$0.00	Brookfield D S 39 L L C
678 685 04 00	1.00	SFD	G	1.00	1.00	\$0.00	\$0.00	Brookfield D S 39 L L C

**EXHIBIT C - Assessment Roll (Fiscal Year 2015)**  
**Black Mountain Ranch North Maintenance Assessment District**

Parcel Number	Acres/ Units <sup>(1)</sup>	Land Use Code <sup>(2)</sup>	Zone	Land Use Factor <sup>(2)</sup>	Total EBUs	Unit Cost (\$/Ebu)	FY 2015 (3) Assessment	Owner Name
678 685 05 00	1.00	SFD	G	1.00	1.00	\$0.00	\$0.00	Brookfield D S 39 L L C
678 685 06 00	1.00	SFD	G	1.00	1.00	\$0.00	\$0.00	Brookfield D S 39 L L C
678 685 07 00	1.00	SFD	G	1.00	1.00	\$0.00	\$0.00	Brookfield D S 39 L L C
678 685 08 00	1.00	SFD	G	1.00	1.00	\$0.00	\$0.00	Brookfield D S 39 L L C
678 685 09 00	1.00	SFD	G	1.00	1.00	\$0.00	\$0.00	Brookfield D S 39 L L C
678 685 10 00	1.00	SFD	G	1.00	1.00	\$0.00	\$0.00	Brookfield D S 39 L L C
678 685 11 00	1.00	SFD	G	1.00	1.00	\$0.00	\$0.00	Brookfield D S 39 L L C
678 685 12 00	1.00	SFD	G	1.00	1.00	\$0.00	\$0.00	Brookfield D S 39 L L C
678 685 13 00	1.00	SFD	G	1.00	1.00	\$0.00	\$0.00	Brookfield D S 39 L L C
678 685 14 00	1.00	SFD	G	1.00	1.00	\$0.00	\$0.00	Brookfield D S 39 L L C
678 685 15 00	1.00	SFD	G	1.00	1.00	\$0.00	\$0.00	Brookfield D S 39 L L C
678 685 16 00	1.00	SFD	G	1.00	1.00	\$0.00	\$0.00	Brookfield D S 39 L L C
678 685 17 00	1.00	SFD	G	1.00	1.00	\$0.00	\$0.00	Brookfield D S 39 L L C
678 685 18 00	1.00	SFD	G	1.00	1.00	\$0.00	\$0.00	Brookfield D S 39 L L C
678 685 19 00	1.00	SFD	G	1.00	1.00	\$0.00	\$0.00	Brookfield D S 39 L L C
678 685 20 00	1.00	SFD	G	1.00	1.00	\$0.00	\$0.00	Brookfield D S 39 L L C
678 685 21 00	1.00	SFD	G	1.00	1.00	\$0.00	\$0.00	Brookfield D S 39 L L C
678 685 22 00	1.00	SFD	G	1.00	1.00	\$0.00	\$0.00	Brookfield D S 39 L L C
678 685 23 00	1.00	SFD	G	1.00	1.00	\$0.00	\$0.00	Brookfield D S 39 L L C
678 685 24 00	1.00	SFD	G	1.00	1.00	\$0.00	\$0.00	Brookfield D S 39 L L C
678 685 25 00	1.00	SFD	G	1.00	1.00	\$0.00	\$0.00	Brookfield D S 39 L L C
678 685 26 00	1.00	SFD	G	1.00	1.00	\$0.00	\$0.00	Brookfield D S 39 L L C
678 685 27 00	1.00	SFD	G	1.00	1.00	\$0.00	\$0.00	Brookfield D S 39 L L C
678 685 28 00	1.00	SFD	G	1.00	1.00	\$0.00	\$0.00	Brookfield D S 39 L L C
678 685 29 00	1.00	SFD	G	1.00	1.00	\$0.00	\$0.00	Brookfield D S 39 L L C
678 685 30 00	1.00	SFD	G	1.00	1.00	\$0.00	\$0.00	Brookfield D S 39 L L C
678 685 31 00	1.00	SFD	G	1.00	1.00	\$0.00	\$0.00	Brookfield D S 39 L L C
678 685 32 00	1.00	SFD	G	1.00	1.00	\$0.00	\$0.00	Brookfield D S 39 L L C
678 685 33 00	1.00	SFD	G	1.00	1.00	\$0.00	\$0.00	Brookfield D S 39 L L C
678 685 34 00	1.00	SFD	G	1.00	1.00	\$0.00	\$0.00	Brookfield D S 39 L L C
678 685 35 00	1.00	SFD	G	1.00	1.00	\$0.00	\$0.00	Brookfield D S 39 L L C
678 685 36 00	0.02	OSP	G	0.00	0.00	\$0.00	\$0.00	Black Mountain Ranch L L C
678 686 01 00	1.00	SFD	G	1.00	1.00	\$0.00	\$0.00	Spic Del Sur L L C
678 686 02 00	1.00	SFD	G	1.00	1.00	\$0.00	\$0.00	Spic Del Sur L L C
678 686 03 00	1.00	SFD	G	1.00	1.00	\$0.00	\$0.00	Spic Del Sur L L C
678 686 04 00	1.00	SFD	G	1.00	1.00	\$0.00	\$0.00	Spic Del Sur L L C
678 686 05 00	1.00	SFD	G	1.00	1.00	\$0.00	\$0.00	Spic Del Sur L L C
678 686 06 00	1.00	SFD	G	1.00	1.00	\$0.00	\$0.00	Spic Del Sur L L C
678 686 07 00	1.00	SFD	G	1.00	1.00	\$0.00	\$0.00	Spic Del Sur L L C
678 686 08 00	1.00	SFD	G	1.00	1.00	\$0.00	\$0.00	Spic Del Sur L L C
678 686 09 00	1.00	SFD	G	1.00	1.00	\$0.00	\$0.00	Spic Del Sur L L C
678 686 10 00	1.00	SFD	G	1.00	1.00	\$0.00	\$0.00	Spic Del Sur L L C
678 686 11 00	1.00	SFD	G	1.00	1.00	\$0.00	\$0.00	Steinhauser Adam&Tova S
678 686 12 00	1.00	SFD	G	1.00	1.00	\$0.00	\$0.00	Feng Lei&Liu Xin
678 686 13 00	1.00	SFD	G	1.00	1.00	\$0.00	\$0.00	Walker Robert D&Stephanie L
678 686 14 00	1.00	SFD	G	1.00	1.00	\$0.00	\$0.00	Carlson Kevin&Amanda
678 686 15 00	1.00	SFD	G	1.00	1.00	\$0.00	\$0.00	Deverill Eric D Family Trust 06-06-91
678 686 16 00	1.00	SFD	G	1.00	1.00	\$0.00	\$0.00	Bi Yu&Tian Allen
678 686 17 00	1.00	SFD	G	1.00	1.00	\$0.00	\$0.00	Spic Del Sur L L C
678 686 18 00	1.00	SFD	G	1.00	1.00	\$0.00	\$0.00	Spic Del Sur L L C
678 686 19 00	1.00	SFD	G	1.00	1.00	\$0.00	\$0.00	Spic Del Sur L L C
678 686 20 00	1.00	SFD	G	1.00	1.00	\$0.00	\$0.00	Spic Del Sur L L C
678 686 21 00	1.00	SFD	G	1.00	1.00	\$0.00	\$0.00	Spic Del Sur L L C
678 686 22 00	1.00	SFD	G	1.00	1.00	\$0.00	\$0.00	Spic Del Sur L L C
678 686 23 00	1.00	SFD	G	1.00	1.00	\$0.00	\$0.00	Spic Del Sur L L C
678 686 24 00	1.00	SFD	G	1.00	1.00	\$0.00	\$0.00	Spic Del Sur L L C
678 686 25 00	1.00	SFD	G	1.00	1.00	\$0.00	\$0.00	Spic Del Sur L L C
678 686 26 00	1.00	SFD	G	1.00	1.00	\$0.00	\$0.00	Spic Del Sur L L C
678 686 27 00	1.00	SFD	G	1.00	1.00	\$0.00	\$0.00	Spic Del Sur L L C

**EXHIBIT C - Assessment Roll (Fiscal Year 2015)**  
**Black Mountain Ranch North Maintenance Assessment District**

Parcel Number	Acres/ Units <sup>(1)</sup>	Land Use Code <sup>(2)</sup>	Zone	Land Use Factor <sup>(2)</sup>	Total EBUs	Unit Cost (\$/Ebu)	FY 2015 (3) Assessment	Owner Name
678 686 28 00	1.00	SFD	G	1.00	1.00	\$0.00	\$0.00	Spic Del Sur L L C
678 686 29 00	1.00	SFD	G	1.00	1.00	\$0.00	\$0.00	Spic Del Sur L L C
678 686 30 00	1.00	SFD	G	1.00	1.00	\$0.00	\$0.00	Marzano Peter L&Solmaz T
678 686 31 00	1.00	SFD	G	1.00	1.00	\$0.00	\$0.00	Spic Del Sur L L C
678 686 32 00	1.00	SFD	G	1.00	1.00	\$0.00	\$0.00	Spic Del Sur L L C
678 686 33 00	1.00	SFD	G	1.00	1.00	\$0.00	\$0.00	Tan Hiang Chuan&Lau Jui Yen
678 686 34 00	1.00	SFD	G	1.00	1.00	\$0.00	\$0.00	Raut Abhay A&Mahalle Asmita P
678 686 35 00	1.00	SFD	G	1.00	1.00	\$0.00	\$0.00	Spic Del Sur L L C
678 686 36 00	1.00	SFD	G	1.00	1.00	\$0.00	\$0.00	Spic Del Sur L L C
678 686 37 00	1.00	SFD	G	1.00	1.00	\$0.00	\$0.00	Spic Del Sur L L C
678 686 38 00	1.00	SFD	G	1.00	1.00	\$0.00	\$0.00	Sadassivam Suresh K&Ramalingam Uma M
678 686 39 00	1.00	SFD	G	1.00	1.00	\$0.00	\$0.00	Zien Harvey Y&Jade Y
678 686 40 00	1.00	SFD	G	1.00	1.00	\$0.00	\$0.00	Daoud Thair S&Rand
678 686 41 00	1.00	SFD	G	1.00	1.00	\$0.00	\$0.00	Bellam Sasi K
678 686 42 00	1.00	SFD	G	1.00	1.00	\$0.00	\$0.00	Dinesh Jude&Appugounder Kayalvizhi
678 686 43 00	1.00	SFD	G	1.00	1.00	\$0.00	\$0.00	Nelson Family Trust 08-20-08
678 686 44 00	1.00	SFD	G	1.00	1.00	\$0.00	\$0.00	Spic Del Sur L L C
678 686 45 00	1.00	SFD	G	1.00	1.00	\$0.00	\$0.00	Spic Del Sur L L C
678 686 46 00	1.00	SFD	G	1.00	1.00	\$0.00	\$0.00	Spic Del Sur L L C
678 686 47 00	1.00	SFD	G	1.00	1.00	\$0.00	\$0.00	Spic Del Sur L L C
678 686 48 00	1.00	SFD	G	1.00	1.00	\$0.00	\$0.00	Spic Del Sur L L C
678 686 49 00	1.00	SFD	G	1.00	1.00	\$0.00	\$0.00	Spic Del Sur L L C
678 686 50 00	1.25	OSP	G	0.00	0.00	\$0.00	\$0.00	Black Mountain Ranch L L C
678 686 51 00	0.22	OSP	G	0.00	0.00	\$0.00	\$0.00	Black Mountain Ranch L L C
678 686 52 00	0.12	OSP	G	0.00	0.00	\$0.00	\$0.00	Black Mountain Ranch L L C
678 686 53 00	0.02	OSP	G	0.00	0.00	\$0.00	\$0.00	Black Mountain Ranch L L C
678 686 54 00	1.73	OSP	G	0.00	0.00	\$0.00	\$0.00	Black Mountain Ranch L L C
678 686 55 00	0.08	OSP	G	0.00	0.00	\$0.00	\$0.00	Del Sur Community Assn
678 686 56 00	0.04	OSP	G	0.00	0.00	\$0.00	\$0.00	Black Mountain Ranch L L C
678 686 57 00	0.07	STR	G	0.00	0.00	\$0.00	\$0.00	Black Mountain Ranch L L C
678 686 58 00	0.15	STR	G	0.00	0.00	\$0.00	\$0.00	Black Mountain Ranch L L C
678 686 59 00	0.16	STR	G	0.00	0.00	\$0.00	\$0.00	Del Sur Community Assn
678 686 60 00	1.43	STR	G	0.00	0.00	\$0.00	\$0.00	Black Mountain Ranch L L C
678 686 61 00	1.80	OSP	G	0.00	0.00	\$0.00	\$0.00	Black Mountain Ranch L L C
678 687 01 00	1.00	SFD	G	1.00	1.00	\$0.00	\$0.00	Black Mountain Ranch L L C
678 687 02 00	1.00	SFD	G	1.00	1.00	\$0.00	\$0.00	Black Mountain Ranch L L C
678 687 03 00	1.00	SFD	G	1.00	1.00	\$0.00	\$0.00	Black Mountain Ranch L L C
678 687 04 00	1.00	SFD	G	1.00	1.00	\$0.00	\$0.00	Black Mountain Ranch L L C
678 687 05 00	1.00	SFD	G	1.00	1.00	\$0.00	\$0.00	Black Mountain Ranch L L C
678 687 06 00	1.00	SFD	G	1.00	1.00	\$0.00	\$0.00	Black Mountain Ranch L L C
678 687 07 00	1.00	SFD	G	1.00	1.00	\$0.00	\$0.00	Black Mountain Ranch L L C
678 687 08 00	1.00	SFD	G	1.00	1.00	\$0.00	\$0.00	Black Mountain Ranch L L C
678 687 09 00	1.00	SFD	G	1.00	1.00	\$0.00	\$0.00	Black Mountain Ranch L L C
678 687 10 00	1.00	SFD	G	1.00	1.00	\$0.00	\$0.00	Black Mountain Ranch L L C
678 687 11 00	1.00	SFD	G	1.00	1.00	\$0.00	\$0.00	Black Mountain Ranch L L C
678 687 12 00	1.00	SFD	G	1.00	1.00	\$0.00	\$0.00	Black Mountain Ranch L L C
678 687 13 00	1.00	SFD	G	1.00	1.00	\$0.00	\$0.00	Black Mountain Ranch L L C
678 687 14 00	1.00	SFD	G	1.00	1.00	\$0.00	\$0.00	Black Mountain Ranch L L C
678 687 15 00	1.00	SFD	G	1.00	1.00	\$0.00	\$0.00	Black Mountain Ranch L L C
678 687 16 00	1.00	SFD	G	1.00	1.00	\$0.00	\$0.00	Black Mountain Ranch L L C
678 687 17 00	1.00	SFD	G	1.00	1.00	\$0.00	\$0.00	Black Mountain Ranch L L C
678 687 18 00	1.00	SFD	G	1.00	1.00	\$0.00	\$0.00	Black Mountain Ranch L L C
678 687 19 00	1.00	SFD	G	1.00	1.00	\$0.00	\$0.00	Black Mountain Ranch L L C
678 687 20 00	1.00	SFD	G	1.00	1.00	\$0.00	\$0.00	Black Mountain Ranch L L C
678 687 21 00	1.00	SFD	G	1.00	1.00	\$0.00	\$0.00	Black Mountain Ranch L L C
678 687 22 00	0.04	OSP	G	0.00	0.00	\$0.00	\$0.00	Black Mountain Ranch L L C
678 690 01 00	7.74	IND	F	15.00	116.10	\$0.00	\$0.00	Black Mountain Ranch L L C
678 690 02 00	6.53	IND	F	15.00	97.95	\$0.00	\$0.00	Black Mountain Ranch L L C
678 690 03 00	4.34	IND	F	15.00	65.10	\$0.00	\$0.00	Black Mountain Ranch L L C

**EXHIBIT C - Assessment Roll (Fiscal Year 2015)**  
**Black Mountain Ranch North Maintenance Assessment District**

Parcel Number	Acres/ Units <sup>(1)</sup>	Land Use Code <sup>(2)</sup>	Zone	Land Use Factor <sup>(2)</sup>	Total EBUs	Unit Cost (\$/Ebu)	FY 2015 (3) Assessment	Owner Name
678 690 04 00	4.11	IND	F	15.00	61.65	\$0.00	\$0.00	Black Mountain Ranch L L C
678 690 05 00	4.35	COM	F	45.00	195.75	\$0.00	\$0.00	Black Mountain Ranch L L C
678 690 06 00	2.29	COM	F	45.00	103.05	\$0.00	\$0.00	Black Mountain Ranch L L C
678 690 07 00	1.76	COM	F	45.00	79.20	\$0.00	\$0.00	Black Mountain Ranch L L C
678 690 08 00	1.74	COM	F	45.00	78.30	\$0.00	\$0.00	Black Mountain Ranch L L C
678 690 09 00	1.57	COM	F	45.00	70.65	\$0.00	\$0.00	Black Mountain Ranch L L C
678 690 10 00	2.90	COM	F	45.00	130.50	\$0.00	\$0.00	Black Mountain Ranch L L C
678 690 10 00	30.00	MFR	F	0.70	21.00	\$0.00	\$0.00	Black Mountain Ranch L L C
678 690 11 00	50.00	MFR	F	0.70	35.00	\$0.00	\$0.00	Black Mountain Ranch L L C
678 690 12 00	6.00	MFR	F	0.70	4.20	\$0.00	\$0.00	Black Mountain Ranch L L C
678 690 13 00	6.00	MFR	F	0.70	4.20	\$0.00	\$0.00	Black Mountain Ranch L L C
678 690 14 00	11.00	MFR	F	0.70	7.70	\$0.00	\$0.00	Black Mountain Ranch L L C
678 690 15 00	11.00	MFR	F	0.70	7.70	\$0.00	\$0.00	Black Mountain Ranch L L C
678 690 16 00	8.00	MFR	F	0.70	5.60	\$0.00	\$0.00	Black Mountain Ranch L L C
678 690 17 00	8.00	MFR	F	0.70	5.60	\$0.00	\$0.00	Black Mountain Ranch L L C
678 690 18 00	6.00	MFR	F	0.70	4.20	\$0.00	\$0.00	Black Mountain Ranch L L C
678 690 19 00	6.00	MFR	F	0.70	4.20	\$0.00	\$0.00	Black Mountain Ranch L L C
678 690 20 00	5.00	MFR	G	0.70	3.50	\$0.00	\$0.00	Black Mountain Ranch L L C
678 690 21 00	5.00	MFR	G	0.70	3.50	\$0.00	\$0.00	Black Mountain Ranch L L C
678 690 22 00	10.00	MFR	G	0.70	7.00	\$0.00	\$0.00	Black Mountain Ranch L L C
678 690 23 00	10.00	MFR	G	0.70	7.00	\$0.00	\$0.00	Black Mountain Ranch L L C
678 690 24 00	24.00	MFR	G	0.70	16.80	\$0.00	\$0.00	Black Mountain Ranch L L C
678 690 25 00	2.20	COM	G	45.00	99.00	\$0.00	\$0.00	Black Mountain Ranch L L C
678 690 25 00	20.00	MFR	G	0.70	14.00	\$0.00	\$0.00	Black Mountain Ranch L L C
678 690 26 00	3.76	COM	G	45.00	169.20	\$0.00	\$0.00	Black Mountain Ranch L L C
678 690 27 00	0.17	OSP	F	0.00	0.00	\$0.00	\$0.00	Black Mountain Ranch L L C
678 690 28 00	0.23	UTL	F	3.00	0.69	\$0.00	\$0.00	Black Mountain Ranch L L C
678 691 02 00	60.00	MFR	G	0.70	42.00	\$0.00	\$0.00	Black Mountain Ranch L L C
678 691 03 00	1.80	PKU	G	0.50	0.90	\$0.00	\$0.00	Black Mountain Ranch L L C
678 691 04 00	13.84	PKU	G	0.50	6.92	\$0.00	\$0.00	Black Mountain Ranch L L C

<b>TOTAL</b>	-	-	-	-	<b>5,966.28</b>	-	<b>\$0</b>	
--------------	---	---	---	---	-----------------	---	------------	--

<sup>(1)</sup> Applicable units (acres or dwelling units) dependent upon Land Use Code

<sup>(2)</sup> Refer to Assessment Engineer's Report for descriptions of Land Use Code and Land Use Factor.

<sup>(3)</sup> FY 2015 is the City's Fiscal Year 2015, which begins July 1, 2014 and ends June 30, 2015