

## Article 1: Base Zones

### Division 5: Commercial Base Zones

#### §131.0501 Purpose of Commercial Zones

The purpose of the commercial zones is to provide for the employment, shopping, services, recreation, and lodging needs of the residents of and visitors to the City. The intent of the commercial zones is to provide distinct regulations for size, intensity, and design to reflect the variety of the desired *development* patterns within San Diego's communities.

#### §131.0502 Purpose of the CN (Commercial--Neighborhood) Zones

- (a) The purpose of the CN zones is to provide residential areas with access to a limited number of convenient retail and personal service uses. The CN zones are intended to provide areas for smaller scale, lower intensity *developments* that are consistent with the character of the surrounding residential areas. The zones in this category may include residential *development*. Property within the CN zones will be primarily located along local and selected collector *streets*.
- (b) The CN zones are differentiated based on the permitted lot size and pedestrian orientation as follows:
- CN-1-1 allows *development* of a limited size with a pedestrian orientation
  - CN-1-2 allows *development* with an auto orientation
  - CN-1-3 allows *development* with a pedestrian orientation
  - CN-1-4 allows *development* with a pedestrian orientation with a medium high residential density

#### §131.0503 Purpose of the CR (Commercial--Regional) Zones

- (a) The purpose of the CR zones is to provide areas for a broad mix of business/professional office, commercial service, retail, wholesale, and limited manufacturing uses. The CR zones are intended to accommodate large-scale, high intensity *developments*. Property within these zones will be primarily located along major *streets*, primary arterials, and major public transportation lines.
- (b) The CR zones are designed for auto-oriented *development* and are differentiated based on the uses allowed as follows:

- CR-1-1 allows a mix of regional serving commercial uses and residential uses, with an auto orientation
- CR-2-1 allows regional serving commercial and limited industrial uses with an auto orientation but no residential use.

**§131.0504 Purpose of the CO (Commercial--Office) Zones**

- (a) The purpose of the CO zones is to provide areas for employment uses with limited, complementary retail uses ~~and residential use as specified, and medium to high density residential development.~~ The CO zones are intended to apply in larger activity centers or in specialized areas where a full range of commercial activities is not desirable.
- (b) The CO zones are differentiated based on the uses allowed, and development scale allowed as follows:
- (1) The following zones allow residential development:
- CO-1-1 allows a mix of office and residential uses with a neighborhood scale and orientation
  - CO-1-2 allows a mix of office and residential uses that serve as an employment center
- (2) The following zones prohibit residential development:
- CO-2-1 allows a mix of office uses with a neighborhood scale and orientation
  - CO-2-2 allows a mix of office uses that serve as an employment center

**§131.0505 Purpose of the CV (Commercial--Visitor) Zones**

- (a) The purpose of the CV zones is to provide areas for establishments catering to the lodging, dining, and recreational needs of both tourists and the local population. The CV zones are intended for areas located near employment centers and areas with recreational resources or other visitor attractions.
- (b) The CV zones are differentiated based on *development* size and orientation as follows:
- CV-1-1 allows a mix of large-scale, visitor-serving uses and residential uses
  - CV-1-2 allows a mix of visitor-serving uses and residential uses with a pedestrian orientation

**§131.0506 Purpose of the CP (Commercial--Parking) Zone**

The purpose of the CP zone is to provide off-street parking areas for passenger automobiles. The CP zone is intended to be applied in conjunction with established commercial areas to provide needed or required off-street parking.

**§131.0507 Purpose of the CC (Commercial--Community) Zones**

- (a) The purpose of the CC zones is to accommodate community-serving commercial services, retail uses, and limited industrial uses of moderate intensity and small to medium scale. The CC zones are intended to provide for a range of *development* patterns from pedestrian-friendly commercial *streets* to shopping centers and auto-oriented strip commercial *streets*. Some of the CC zones may include residential *development*. Property within the CC zones will be primarily located along collector *streets*, major *streets*, and public transportation lines.
- (b) The CC zones are differentiated based on the uses allowed and regulations as follows:
- (1) The following zones allow a mix of community-serving commercial uses and residential uses:
- CC-1-1 is intended to accommodate *development* with strip commercial characteristics
  - CC-1-2 is intended to accommodate *development* with high intensity, strip commercial characteristics
  - CC-1-3 is intended to accommodate *development* with an auto orientation
- (2) The following zones allow community-serving uses with no residential uses:
- CC-2-1 is intended to accommodate *development* with strip commercial characteristics
  - CC-2-2 is intended to accommodate *development* with high intensity, strip commercial characteristics
  - CC-2-3 is intended to accommodate *development* with an auto orientation
- (3) The following zones allow a mix of pedestrian-oriented, community-serving commercial uses and residential uses:
- CC-3-4 is intended to accommodate *development* with a pedestrian orientation
  - CC-3-5 is intended to accommodate *development* with a high intensity, pedestrian orientation

- CC-3-6 is intended to accommodate *development* with a high intensity, pedestrian orientation, and medium high density.
- (4) The following zones allow heavy commercial uses and residential uses:
- CC-4-1 is intended to accommodate *development* with strip commercial characteristics
  - CC-4-2 is intended to accommodate *development* with high intensity, strip commercial characteristics
  - CC-4-3 is intended to accommodate *development* with an auto orientation
  - CC-4-4 is intended to accommodate *development* with a pedestrian orientation
  - CC-4-5 is intended to accommodate *development* with a high intensity, pedestrian orientation
  - CC-4-6 is intended to accommodate *development* with a high intensity, pedestrian orientation, and medium high density.
- (5) The following zones allow a mix of heavy commercial and limited industrial uses and residential uses:
- CC-5-1 is intended to accommodate *development* with strip commercial characteristics
  - CC-5-2 is intended to accommodate *development* with high intensity, strip commercial characteristics
  - CC-5-3 is intended to accommodate *development* with an auto orientation
  - CC-5-4 is intended to accommodate *development* with a pedestrian orientation
  - CC-5-5 is intended to accommodate *development* with a high intensity, pedestrian orientation
  - CC-5-6 is intended to accommodate *development* with a high intensity, pedestrian orientation, and medium high density.

**§131.0515 Where Commercial Zones Apply**

On the effective date of Ordinance O-18692, all commercial zones that were established in Municipal Code Chapter 10, Article 1, Division 4 were amended and replaced with the base zones established in this division.

**§131.0520 Use Regulations of Commercial Zones**

The regulations of Section 131.0522 apply in the commercial zones unless otherwise specifically provided by footnotes indicated in Table 131-05B. The uses permitted in any zone may be further limited if *environmentally sensitive lands* are present,

pursuant to Chapter 14, Article 3, Division 1 (Environmentally Sensitive Lands Regulations).

- (a) Within the commercial zones, no *structure* or improvement, or portion thereof, shall be constructed, established, or altered, nor shall any *premises* be used or maintained except for one or more of the purposes or activities listed in Table 131-05B. It is unlawful to establish, maintain, or use any *premises* for any purpose or activity not listed in this section or Section 131.0522.
- (b) All uses or activities permitted in the commercial zones shall be conducted entirely within an enclosed building unless the use or activity is traditionally conducted outdoors.
- (c) *Accessory uses* in the commercial zones may be permitted in accordance with Section 131.0125.
- (d) Temporary uses may be permitted in the commercial zones for a limited period of time with a Temporary Use Permit in accordance with Chapter 12, Article 3, Division 4.
- (e) For any use that cannot be readily classified, the City Manager shall determine the appropriate use category and use subcategory pursuant to Section 131.0110.

**§131.0522 Use Regulations Table of Commercial Zones**

The uses allowed in the commercial zones are shown in Table 131-05B.

**Legend for Table 131-05B**

Symbol in Table 131-05B	Description of Symbol
P	Use or use category is permitted. Regulations pertaining to a specific use may be referenced.
L	Use is permitted with limitations, which may include location limitations or the requirement for a use or <i>development permit</i> . Regulations are located in Chapter 14, Article 1 (Separately Regulated Use Regulations).
N	Neighborhood Use Permit Required. Regulations are located in Chapter 14, Article 1 (Separately Regulated Use Regulations).
C	Conditional Use Permit Required. Regulations are located in Chapter 14, Article 1 (Separately Regulated Use Regulations).
-	Use or use category is not permitted.

**Table 131-05B**  
**Use Regulations Table for Commercial Zones**

Use Categories/Subcategories  [See Section 131.0112 for an explanation and descriptions of the Use Categories, Subcategories, and Separately Regulated Uses]	Zone Designator	Zones											
	1st & 2nd >>	CN <sup>(1)</sup>				CR-		CO-		CV-		CP-	
	3rd >>	1-				1-	2-	1-	<u>2-</u>	1-	1-		
	4th >>	1	2	3	<u>4</u>	1	1	1	2	<u>1</u>	<u>2</u>	1	2
<b>Open Space</b>													
Active Recreation	-	-	-	-	-	-	-	-	-	-	-	-	-
Passive Recreation	-	-	-	-	-	-	-	-	-	-	-	-	-
Natural Resources Preservation	-	-	-	-	-	-	-	-	-	-	-	-	-
Park Maintenance Facilities	-	-	-	-	-	-	-	-	-	-	-	-	-
<b>Agriculture</b>													
Agricultural Processing	-	-	-	-	-	-	-	-	-	-	-	-	-
Aquaculture Facilities	-	-	-	-	-	-	-	-	-	-	-	-	-
<b>Dairies</b>													
Horticulture Nurseries & Greenhouses	-	-	-	-	-	-	-	-	-	-	-	-	-
Raising & Harvesting of Crops	-	-	-	-	-	-	-	-	-	-	-	-	-
Raising, Maintaining & Keeping of Animals	-	-	-	-	-	-	-	-	-	-	-	-	-
<b>Separately Regulated Agriculture Uses</b>													
Agricultural Equipment Repair Shops	-	-	-	-	P	P	-	-	-	-	-	-	-
Commercial Stables	-	-	-	-	-	-	-	-	-	-	L	-	-
Community Gardens	-	-	-	-	-	-	-	-	-	-	-	-	-
Equestrian Show & Exhibition Facilities	-	-	-	-	-	-	-	-	-	-	C	-	-
Open Air Markets for the Sale of Agriculture-related Products & Flowers	-	-	-	-	-	-	-	-	-	-	-	-	-
<b>Residential</b>													
Mobilehome Parks	-	-	-	-	-	-	-	-	-	-	-	-	-
Multiple Dwelling Units	P <sup>(2)</sup>	P <sup>(2)</sup>	-	P <sup>(2)</sup>	-	-	-	-	-	-	P <sup>(2)</sup>	-	-
Rooming House [See Section 131.0112(a)(3)(A)]	P <sup>(2)</sup>	P	-	P	-	-	-	-	-	-	P <sup>(2)</sup>	-	-
Single Dwelling Units	-	-	-	-	-	-	-	-	-	-	-	-	-
<b>Separately Regulated Residential Uses</b>													
Boarder & Lodger Accommodations	L <sup>(2)</sup>	L	-	L	-	-	-	-	-	-	L <sup>(2)</sup>	-	-
Companion Units	-	-	-	-	-	-	-	-	-	-	-	-	-
Employee Housing:													
6 or Fewer Employees	-	-	-	-	-	-	-	-	-	-	-	-	-
12 or Fewer Employees	-	-	-	-	-	-	-	-	-	-	-	-	-
Greater than 12 Employees	-	-	-	-	-	-	-	-	-	-	-	-	-
Fraternities, Sororities and Student Dormitories	C <sup>(2)</sup>	C	-	C	-	-	-	-	-	-	C <sup>(2)</sup>	-	-
Garage, Yard, & Estate Sales	-	-	-	-	-	-	-	-	-	-	-	-	-
Guest Quarter	-	-	-	-	-	-	-	-	-	-	-	-	-
Home Occupations	L	L	-	L	-	-	-	-	-	-	L	-	-
Housing for Senior Citizens	C <sup>(2)</sup>	C	-	C	-	-	-	-	-	-	C <sup>(2)</sup>	-	-
Live/Work Quarters	-	L	-	-	-	-	-	-	-	-	-	-	-

Use Categories/Subcategories  [See Section 131.0112 for an explanation and descriptions of the Use Categories, Subcategories, and Separately Regulated Uses]	Zone Designator	Zones											
	1st & 2nd >>	CN <sup>(1)</sup>				CR-		CO-		CV-		CP-	
	3rd >>>	1-				1-	2-	1-	<u>2-</u>	1-	1-		
	4th >>>	1	2	3	4	1	1	1	2	<u>1</u>	<u>2</u>	1	2
<b>Residential Care Facilities:</b>													
6 or Fewer Persons		P <sup>(2)</sup>				P	-	P	=	P <sup>(2)</sup>		-	
7 or More Persons		C <sup>(2)</sup>				C	-	C	=	C <sup>(2)</sup>		-	
<b>Transitional Housing:</b>													
6 or Fewer Persons		P <sup>(2)</sup>				P	-	P	=	P <sup>(2)</sup>		-	
7 or More Persons		C <sup>(2)</sup>				C	-	C	=	C <sup>(2)</sup>		-	
Watchkeeper Quarters		-				-	L	-	=	-		-	
<b>Institutional</b>													
<b>Separately Regulated Institutional Uses</b>													
Airports		-				C	C	C	<u>C</u>	C <sup>(10)</sup>		-	
Botanical Gardens & Arboretums		-				P	P	C	<u>C</u>	P		-	
Cemeteries, Mausoleums, Crematories		-				C	C	C	<u>C</u>	C <sup>(10)</sup>		-	
Churches & Places of Religious Assembly		C <sup>(10)</sup>				C	C	C	<u>C</u>	C <sup>(10)</sup>		-	
Correctional Placement Centers		-				C	C	C	<u>C</u>	C <sup>(10)</sup>		-	
<b>Educational Facilities:</b>													
Kindergarten through Grade 12		C <sup>(10)</sup>				C	C	C	<u>C</u>	C <sup>(10)</sup>		-	
Colleges / Universities		-				C	C	C	<u>C</u>	C <sup>(10)</sup>		-	
Vocational / Trade School		-				P	P	P	<u>P</u>	-		-	
Energy Generation & Distribution Facilities		C <sup>(10)</sup>				P	C	P	<u>P</u>	P <sup>(10)</sup>		-	
Exhibit Halls & Convention Facilities		-				P	P	C	<u>C</u>	P		-	
Flood Control Facilities		L				L	L	L	<u>L</u>	L		-	
Historical Buildings Used for Purposes Not Otherwise Allowed		C <sup>(10)</sup>				C	C	C	<u>C</u>	C <sup>(10)</sup>		-	
<b>Homeless Facilities:</b>													
Congregate Meal Facilities		C <sup>(10)</sup>				C	-	C	<u>C</u>	C <sup>(10)</sup>		-	
Emergency Shelters		C <sup>(10)</sup>				C	-	C	<u>C</u>	C <sup>(10)</sup>		-	
Homeless Day Centers		C <sup>(10)</sup>				C	-	C	<u>C</u>	C <sup>(10)</sup>		-	
Hospitals, Intermediate Care Facilities & Nursing Facilities		-				P	P	C	<u>C</u>	P <sup>(10)</sup>		-	
Interpretive Centers		-				-	-	-	=	-		-	
Museums		-				P	P	C	<u>C</u>	P		-	
Major Transmission, Relay, or Communications Switching Stations		-				C	C	C	<u>C</u>	C <sup>(10)</sup>		-	
Satellite Antennas		L				L	L	L	<u>L</u>	L		L	
Social Service Institutions		-				C	C	C	<u>C</u>	C <sup>(10)</sup>		-	
<b>Wireless communication facility:</b>													
Wireless communication facility in the public right-of-way with subterranean equipment adjacent to a non-residential use		L				L	L	L	<u>L</u>	L		L	

Use Categories/Subcategories  [See Section 131.0112 for an explanation and descriptions of the Use Categories, Subcategories, and Separately Regulated Uses]	Zone Designator	Zones											
	1st & 2nd >>	CN <sup>(1)</sup>				CR-		CO-		CV-		CP-	
	3rd >>>	1-				1-	2-	1-	<u>2-</u>	1-	1-		
	4th >>>	1	2	3	4	1	1	1	2	<u>1</u>	<u>2</u>	1	2
<i>Wireless communication facility in the public right-of-way with subterranean equipment adjacent to a residential use</i>		N				N	N	N	<u>N</u>	N	N		
<i>Wireless communication facility in the public right-of-way with above ground equipment</i>		C				C	C	C	<u>C</u>	C	C		
<i>Wireless communication facility outside the public right-of-way</i>		L				L	L	L	<u>L</u>	L	L		
<b>Retail Sales</b>													
<b>Building Supplies &amp; Equipment</b>		P <sup>(11)</sup>				P <sup>(11)</sup>	P <sup>(11)</sup>	-	<u>-</u>	-	-		
<b>Food, Beverages and Groceries</b>		P <sup>(11)</sup>				P <sup>(11)</sup>	P <sup>(11)</sup>	P <sup>(11)</sup>	<u>P<sup>(11)</sup></u>	P <sup>(11)</sup>	-		
<b>Consumer Goods, Furniture, Appliances, Equipment</b>		P <sup>(11)</sup>				P <sup>(11)</sup>	P <sup>(11)</sup>	P <sup>(3,11)</sup>	<u>P<sup>(3,11)</sup></u>	-	-		
<b>Pets &amp; Pet Supplies</b>		P <sup>(11)</sup>				P <sup>(11)</sup>	P <sup>(11)</sup>	-	<u>-</u>	-	-		
<b>Sundries, Pharmaceutical, &amp; Convenience Sales</b>		P <sup>(11)</sup>				P <sup>(11)</sup>	P <sup>(11)</sup>	P <sup>(11)</sup>	<u>P<sup>(11)</sup></u>	P <sup>(11)</sup>	-		
<b>Wearing Apparel &amp; Accessories</b>		P <sup>(11)</sup>				P <sup>(11)</sup>	P <sup>(11)</sup>	-	<u>-</u>	P <sup>(11)</sup>	-		
<b>Separately Regulated Retail Sales Uses</b>													
Agriculture Related Supplies & Equipment		-				P	P	-	<u>-</u>	-	-		
Alcoholic Beverage Outlets		L				L	L	L	<u>L</u>	L	-		
Plant Nurseries		P				P	P	-	<u>-</u>	-	-		
Swap Meets & Other Large Outdoor Retail Facilities		-				C	C	-	<u>-</u>	C <sup>(10)</sup>	-		
<b>Commercial Services</b>													
<b>Building Services</b>		-				P	P	P <sup>(6)</sup>	<u>P<sup>(6)</sup></u>	-	-		
<b>Business Support</b>		P				P	P	P <sup>(7)</sup>	<u>P<sup>(7)</sup></u>	-	-		
<b>Eating &amp; Drinking Establishments</b>		P <sup>(4)</sup>				P	P	P <sup>(5)</sup>	<u>P<sup>(5)</sup></u>	P	-		
<b>Financial Institutions</b>		P				P	P	P	<u>P</u>	-	-		
<b>Funeral &amp; Mortuary Services</b>		-				P	P	-	<u>-</u>	-	-		
<b>Maintenance &amp; Repair</b>		P				P	P	P <sup>(6)</sup>	<u>P<sup>(6)</sup></u>	-	-		
<b>Off-site Services</b>		-				P	P	-	<u>-</u>	-	-		
<b>Personal Services</b>		P				P	P	-	<u>-</u>	P	-		
<b>Assembly &amp; Entertainment</b>		-				P	P	-	<u>-</u>	P	-		
<b>Radio &amp; Television Studios</b>		-				P	P	-	<u>-</u>	-	-		
<b>Visitor Accommodations</b>		-				P	P	-	<u>-</u>	P	-		
<b>Separately regulated Commercial Services Uses</b>													
Adult Entertainment Establishments:													
Adult Book Store		L				L	L	-	<u>-</u>	-	-		
Adult Cabaret		-				L	L	-	<u>-</u>	L	-		
Adult Drive-In Theater		-				L	L	-	<u>-</u>	L	-		
Adult Mini-Motion Picture Theater		-				L	L	-	<u>-</u>	L	-		
Adult Model Studio		L				L	L	-	<u>-</u>	L	-		
Adult <i>Motel</i>		-				L	L	-	<u>-</u>	L	-		
Adult Motion Picture Theater		-				L	L	-	<u>-</u>	L	-		

Use Categories/Subcategories  [See Section 131.0112 for an explanation and descriptions of the Use Categories, Subcategories, and Separately Regulated Uses]	Zone Designator	Zones											
	1st & 2nd >>	CN <sup>(1)</sup>				CR-		CO-		CV-		CP-	
	3rd >>>	1-				1-	2-	1-	<u>2-</u>	1-	1-		
	4th >>>	1	2	3	4	1	1	1	2	<u>1</u>	<u>2</u>	1	2
Adult Peep Show Theater		-				L	L	-	-			L	-
Adult Theater		-				L	L	-	-			L	-
Body Painting Studio		L				L	L	-	-			L	-
Massage Establishment		L				L	L	-	-			-	-
Sexual Encounter Establishment		L				L	L	-	-			L	-
Bed & Breakfast Establishments:													
1-2 Guest Rooms		-				P	P	-	-			P	-
3-5 Guest Rooms		-				P	P	-	-			P	-
6+ Guest Rooms		-				P	P	-	-			P	-
Boarding Kennels		-				C	C	C	<u>C</u>			C <sup>(10)</sup>	-
Camping Parks		-				C	C	C	<u>C</u>			C	-
Child Care Facilities:													
Child Care Centers		L				L	-	L	<u>L</u>			L <sup>(10)</sup>	-
Large Family Child Care Homes		L				L	-	L	<u>L</u>			L <sup>(10)</sup>	-
Small Family Child Care Homes		L				L	-	L	<u>L</u>			L	-
Eating and Drinking Establishments Abutting Residentially Zoned Property		L				L	L	L	<u>L</u>			L	-
Fairgrounds		-				C	C	-	-			C	-
Golf Courses, Driving Ranges, and Pitch & Putt Courses		-				C	C	C	<u>C</u>			C	-
Helicopter Landing Facilities		-				C	C	C	<u>C</u>			C <sup>(10)</sup>	-
Instructional Studios		P				P	P	C	<u>C</u>			C	-
Massage Establishments, Specialized Practice		L				L	L	-	-			-	-
Nightclubs & Bars over 5,000 square feet in size		-				C	C	C	<u>C</u>			C	-
Parking Facilities as a <i>Primary Use</i> :													
Permanent Parking Facilities		-				P	P	C	<u>C</u>			C	P
Temporary Parking Facilities		-				N	N	C	<u>C</u>			C	N
Private Clubs, Lodges and Fraternal Organizations		C				C	C	P	<u>P</u>			P	-
Privately Operated, Outdoor Recreation Facilities over 40,000 Square Feet in Size <sup>(9)</sup>		-				C	C	-	-			C	-
Pushcarts:													
Pushcarts on Private Property		L				L	L	L	<u>L</u>			L	-
Pushcarts in Public Right of Way		N				N	N	N	<u>N</u>			N	-
Recycling Facilities:													
Large Collection Facility		N				N	N	N	<u>N</u>			N <sup>(10)</sup>	-
Small Collection Facility		L				L	L	L	<u>L</u>			L <sup>(10)</sup>	-

Use Categories/Subcategories  [See Section 131.0112 for an explanation and descriptions of the Use Categories, Subcategories, and Separately Regulated Uses]	Zone Designator	Zones											
	1st & 2nd >>	CN <sup>(1)</sup>				CR-		CO-		CV-		CP-	
	3rd >>	1-				1-	2-	1-	<u>2-</u>	1-	1-		
	4th >>	1	2	3	4	1	1	1	2	<u>1</u>	<u>2</u>	1	2
Large Construction & Demolition Debris <i>Recycling Facility</i>		-	-	-	-	-	-	-	-	-	-	-	-
Small Construction & Demolition Debris <i>Recycling Facility</i>		-	-	-	-	-	-	-	-	-	-	-	-
Drop-off Facility		L	L	L	L	L	L	<u>L</u>	L	L	L	-	-
Green Materials Composting Facility		-	-	-	-	-	-	-	-	-	-	-	-
Mixed Organic Composting Facility		-	-	-	-	-	-	-	-	-	-	-	-
Large Processing Facility Accepting at Least 98% of Total Annual Weight of Recyclables from Commercial & Industrial Traffic		-	-	-	-	-	-	-	-	-	-	-	-
Large Processing Facility Accepting All Types of Traffic		-	-	-	-	-	-	-	-	-	-	-	-
Small Processing Facility Accepting at Least 98% of Total Annual Weight of Recyclables From Commercial & Industrial Traffic		-	-	-	-	-	-	-	-	-	-	-	-
Small Processing Facility Accepting All Types of Traffic		-	-	-	-	-	-	-	-	-	-	-	-
Reverse Vending Machines		L	L	L	L	L	L	<u>L</u>	L	L	L	-	-
Tire Processing Facility		-	-	-	-	-	-	-	-	-	-	-	-
Sidewalk Cafes		N	N	N	N	N	N	<u>N</u>	N	N	N	-	-
Sports Arenas & Stadiums		-	C	C	C	C	C	<u>C</u>	C	C	C	-	-
Theaters that are outdoor or over 5,000 square feet in size		-	C	C	C	C	C	<u>C</u>	C	C	C	-	-
Urgent Care Facilities		N	N	N	N	N	N	<u>N</u>	N <sup>(10)</sup>	N <sup>(10)</sup>	N <sup>(10)</sup>	-	-
Veterinary Clinics & Animal Hospitals		-	C	C	C	C	C	<u>C</u>	C	-	-	-	-
Zoological Parks		-	-	-	-	-	-	-	-	-	-	-	-
<b>Offices</b>													
<b>Business &amp; Professional</b>		P <sup>(7)</sup>				P	P	P	P	<u>P</u>	P	-	-
<b>Government</b>		P				P	P	P	P	<u>P</u>	P	-	-
<b>Medical, Dental, &amp; Health Practitioner</b>		P				P	P	P	P	<u>P</u>	P	-	-
<b>Regional &amp; Corporate Headquarters</b>		P				P	P	P	P	<u>P</u>	P	-	-
<b>Separately Regulated Office Uses</b>													
Real Estate Sales Offices & Model Homes		L	L	-	L	L	L	<u>L</u>	L	L	L	-	-
<i>Sex Offender</i> Treatment & Counseling		L	L	L	L	L	L	<u>L</u>	L	L <sup>(10)</sup>	L <sup>(10)</sup>	-	-
<b>Vehicle &amp; Vehicular Equipment Sales &amp; Service</b>													
<b>Commercial Vehicle Repair &amp; Maintenance</b>		-	-	-	-	P	P	-	-	-	-	-	-
<b>Commercial Vehicle Sales &amp; Rentals</b>		-	-	-	-	P	P	-	-	-	-	-	-
<b>Personal Vehicle Repair &amp; Maintenance</b>		-	-	-	-	P	P	-	-	-	-	-	-
<b>Personal Vehicle Sales &amp; Rentals</b>		-	-	-	-	P	P	-	-	-	-	-	-
<b>Vehicle Equipment &amp; Supplies Sales &amp; Rentals</b>		-	-	-	-	P	P	-	-	-	-	-	-

Use Categories/Subcategories  [See Section 131.0112 for an explanation and descriptions of the Use Categories, Subcategories, and Separately Regulated Uses]	Zone Designator	Zones											
	1st & 2nd >>	CN <sup>(1)</sup>				CR-		CO-		CV-		CP-	
	3rd >>	1-				1-	2-	1-	<u>2-</u>	1-	1-		
	4th >>	1	2	3	4	1	1	1	2	<u>1</u>	<u>2</u>	1	2
<b>Separately Regulated Vehicle &amp; Vehicular Equipment Sales &amp; Service Uses</b>													
Automobile Service Stations	-					N	N	C	<u>C</u>	C	-		
Outdoor Storage & Display of New, Unregistered Motor Vehicles as a <i>Primary Use</i>	-					C	C	-	<u>-</u>	-	-		
<b>Wholesale, Distribution, Storage</b>													
<b>Equipment &amp; Materials Storage Yards</b>	-					-	P	-	<u>-</u>	-	-		
<b>Moving &amp; Storage Facilities</b>	-					-	P	-	<u>-</u>	-	-		
<b>Warehouses</b>	-					-	P <sup>(8)</sup>	-	<u>-</u>	-	-		
<b>Wholesale Distribution</b>	-					-	P <sup>(8)</sup>	-	<u>-</u>	-	-		
<b>Separately Regulated Wholesale, Distribution, and Storage Uses</b>													
Impound Storage Yards	-					-	-	C	-	<u>-</u>	-	-	
Junk Yards	-					-	-	-	-	<u>-</u>	-	-	
Temporary Construction Storage Yards Located off-site	L					L	L	L	L	<u>L</u>	L	-	
<b>Industrial</b>													
<b>Heavy Manufacturing</b>	-					-	-	-	-	<u>-</u>	-	-	
<b>Light Manufacturing</b>	-					-	-	P <sup>(8)</sup>	-	<u>-</u>	-	-	
<b>Marine Industry</b>	-					-	-	-	-	<u>-</u>	-	-	
<b>Research &amp; Development</b>	-					-	P	P	P	<u>P</u>	-	-	
<b>Trucking &amp; Transportation Terminals</b>	-					-	P	P	-	<u>-</u>	-	-	
<b>Separately Regulated Industrial Uses</b>													
<i>Hazardous Waste</i> Research Facility	-					-	-	-	-	<u>-</u>	-	-	
<i>Hazardous Waste</i> Treatment Facility	-					-	-	-	-	<u>-</u>	-	-	
Marine Related Uses Within the Coastal Overlay Zone	-					-	C	C	C	<u>C</u>	C	-	
Mining and Extractive Industries	-					-	-	-	-	<u>-</u>	-	-	
Newspaper Publishing Plants	-					-	C	C	C	<u>C</u>	C <sup>(10)</sup>	-	
Processing & Packaging of Plant Products & Animal By-products Grown Off-premises	-					-	-	-	-	<u>-</u>	-	-	
Very Heavy Industrial Uses	-					-	-	-	-	<u>-</u>	-	-	
Wrecking & Dismantling of Motor Vehicles	-					-	-	-	-	<u>-</u>	-	-	
<b>Signs</b>													
<b>Allowable Signs</b>	P					P	P	P	P	<u>P</u>	P	P	
<b>Separately Regulated Signs Uses</b>													
Community Entry <i>Signs</i>	L					L	L	L	L	<u>L</u>	L	L	
Neighborhood Identification <i>Signs</i>	-					-	-	-	-	<u>-</u>	-	-	
Reallocation of <i>Sign</i> Area Allowance	N					N	N	N	N	<u>N</u>	N	N	
Revolving <i>Projecting Signs</i>	N					N	N	N	N	<u>N</u>	N	N	
<i>Signs</i> with Automatic Changing Copy	N					N	N	N	N	<u>N</u>	N	N	

Use Categories/Subcategories [See Section 131.0112 for an explanation and descriptions of the Use Categories, Subcategories, and Separately Regulated Uses]	Zone Designator	Zones												
	1st & 2nd >>	CN <sup>(1)</sup>				CR-		CO-		CV-		CP-		
	3rd >>	1-				1-	2-	1-	<u>2-</u>	1-	1-			
	4th >>	1	2	3	<u>4</u>	1	1	1	2	<u>1</u>	<u>2</u>	1	2	1
Theater <i>Marquees</i>		-				N	N	-		-		N		-

Use Categories/Subcategories [See Section 131.0112 for an explanation and descriptions of the Use Categories, Subcategories, and Separately Regulated Uses]	Zone Designator	Zones																						
	1st & 2nd >>	CC-																						
	3rd >>	1-			2-			3-			4-			5-										
	4th >>	1	2	3	1	2	3	4	5	<u>6</u>	1	2	3	4	5	<u>6</u>	1	2	3	4	5	<u>6</u>		
<b>Open Space</b>																								
<b>Active Recreation</b>		-			-			-			-			-			-			-			-	
<b>Passive Recreation</b>		-			-			-			-			-			-			-			-	
<b>Natural Resources Preservation</b>		-			-			-			-			-			-			-			-	
<b>Park Maintenance Facilities</b>		-			-			-			-			-			-			-			-	
<b>Agriculture</b>																								
<b>Agricultural Processing</b>		-			-			-			-			-			-			-			-	
<b>Aquaculture Facilities</b>		-			-			-			-			-			-			-			-	
<b>Dairies</b>		-			-			-			-			-			-			-			-	
<b>Horticulture Nurseries &amp; Greenhouses</b>		-			-			-			-			-			-			-			-	
<b>Raising &amp; Harvesting of Crops</b>		-			-			-			-			-			-			-			-	
<b>Raising, Maintaining &amp; Keeping of Animals</b>		-			-			-			-			-			-			-			-	
<b>Separately Regulated Agriculture Uses</b>																								
Agricultural Equipment Repair Shops		P			P			-			P			-			P			P			P	
Commercial Stables		-			-			-			-			-			-			-			-	
Community Gardens		-			-			-			-			-			-			-			-	
Equestrian Show & Exhibition Facilities		-			-			-			-			-			-			-			-	
Open Air Markets for the Sale of Agriculture-Related Products & Flowers		-			-			-			-			-			-			-			-	
<b>Residential</b>																								
<i>Mobilehome Parks</i>		-			-			-			-			-			-			-			-	
<i>Multiple Dwelling Units</i>		P <sup>(2)</sup>			-			P <sup>(2,12)</sup>			P <sup>(2)</sup>			P <sup>(2)</sup>			P <sup>(2)</sup>			P <sup>(2)(12)</sup>			P <sup>(2)(12)</sup>	
<i>Rooming House</i> [See Section 131.0112(a)(3)(A)]		P			-			P <sup>(12)</sup>			P			P			P			P <sup>(12)</sup>			P <sup>(12)</sup>	
<i>Single Dwelling Units</i>		-			-			-			-			-			-			-			-	
<b>Separately Regulated Residential Uses</b>																								
<i>Boarder &amp; Lodger Accommodations</i>		L			-			L <sup>(12)</sup>			L			L			L			L <sup>(12)</sup>			L <sup>(12)</sup>	
Companion Units		-			-			-			-			-			-			-			-	
Employee Housing:																								
6 or Fewer Employees		-			-			-			-			-			-			-			-	
12 or Fewer Employees		-			-			-			-			-			-			-			-	

Use Categories/Subcategories [See Section 131.0112 for an explanation and descriptions of the Use Categories, Subcategories, and Separately Regulated Uses]	Zone Designator		Zones																				
	1st & 2nd >>		CC-																				
	3rd >>		1-			2-			3-			4-						5-					
	4th >>		1	2	3	1	2	3	4	5	6	1	2	3	4	5	6	1	2	3	4	5	6
Greater than 12 Employees			-	-	-	-	-	-	-	-	-	-	-	-	-	-	-	-	-	-	-	-	
Fraternities, Sororities and Student Dormitories			C	-	C <sup>(12)</sup>	-	-	-	-	-	-	-	-	-	-	-	-	-	-	-	-	-	
Garage, Yard, & Estate Sales			-	-	-	-	-	-	-	-	-	-	-	-	-	-	-	-	-	-	-	-	
Guest Quarters			-	-	-	-	-	-	-	-	-	-	-	-	-	-	-	-	-	-	-	-	
Home Occupations			L	-	L <sup>(12)</sup>	-	-	-	-	-	-	-	-	-	-	-	-	-	-	-	-	-	
Housing for Senior Citizens			C	-	C <sup>(12)</sup>	-	-	-	-	-	-	-	-	-	-	-	-	-	-	-	-	-	
Live/Work Quarters			L	-	L <sup>(12)</sup>	-	-	-	-	-	-	-	-	-	-	-	-	-	-	-	-	-	
Residential Care Facilities:																							
6 or Fewer Persons			P	-	P <sup>(12)</sup>	-	-	-	-	-	-	-	-	-	-	-	-	-	-	-	-	-	
7 or More Persons			C	-	C <sup>(12)</sup>	-	-	-	-	-	-	-	-	-	-	-	-	-	-	-	-	-	
Transitional Housing:																							
6 or Fewer Persons			P	-	P <sup>(12)</sup>	-	-	-	-	-	-	-	-	-	-	-	-	-	-	-	-	-	
7 or More Persons			C	-	C <sup>(12)</sup>	-	-	-	-	-	-	-	-	-	-	-	-	-	-	-	-	-	
Watchkeeper Quarters			-	L	-	-	-	-	-	-	-	-	-	-	-	-	-	-	-	-	-	-	
<b>Institutional</b>																							
<b>Separately Regulated Institutional Uses</b>																							
Airports			C	C	C	C	C	C	C	C	C	C	C	C	C	C	C	C	C	C	C	C	
Botanical Gardens & Arboretums			C	C	C	C	C	C	C	C	C	C	C	C	C	C	C	C	C	C	C	C	
Cemeteries, Mausoleums, Crematories			C	C	C	C	C	C	C	C	C	C	C	C	C	C	C	C	C	C	C	C	
Churches & Places of Religious Assembly			L	L	C	-	-	-	-	-	-	-	-	-	-	-	-	-	-	-	-	-	
Correctional Placement Centers			C	C	C	C	C	C	C	C	C	C	C	C	C	C	C	C	C	C	C	C	
Educational Facilities:																							
Kindergarten through Grade 12			C	C	C	-	-	-	-	-	-	-	-	-	-	-	-	-	-	-	-	-	
Colleges / Universities			C	C	-	-	-	-	-	-	-	-	-	-	-	-	-	-	-	-	-	-	
Vocational / Trade School			P	P	-	-	-	-	-	-	-	-	-	-	-	-	-	-	-	-	-	-	
Energy Generation & Distribution Facilities			P	C	C	C	C	C	C	C	C	C	C	C	C	C	C	C	C	C	C	C	
Exhibit Halls & Convention Facilities			C	C	C	C	C	C	C	C	C	C	C	C	C	C	C	C	C	C	C	C	
Flood Control Facilities			L	L	L	L	L	L	L	L	L	L	L	L	L	L	L	L	L	L	L	L	
Historical Buildings Used for Purposes Not Otherwise Allowed			C	C	C	-	-	-	-	-	-	-	-	-	-	-	-	-	-	-	-	-	
Homeless Facilities:																							
Congregate Meal Facilities			C	-	C	-	-	-	-	-	-	-	-	-	-	-	-	-	-	-	-	-	
Emergency Shelters			C	-	C	-	-	-	-	-	-	-	-	-	-	-	-	-	-	-	-	-	
Homeless Day Centers			C	-	C	-	-	-	-	-	-	-	-	-	-	-	-	-	-	-	-	-	
Hospitals, Intermediate Care Facilities & Nursing Facilities			C	C	C	-	-	-	-	-	-	-	-	-	-	-	-	-	-	-	-	-	
Interpretive Centers			-	-	-	-	-	-	-	-	-	-	-	-	-	-	-	-	-	-	-	-	
Museums			C	C	C	C	C	C	C	C	C	C	C	C	C	C	C	C	C	C	C	C	
Major Transmission, Relay, or Communications Switching Stations			C	C	C	-	-	-	-	-	-	-	-	-	-	-	-	-	-	-	-	-	
Satellite Antennas			L	L	L	L	L	L	L	L	L	L	L	L	L	L	L	L	L	L	L	L	

Use Categories/Subcategories [See Section 131.0112 for an explanation and descriptions of the Use Categories, Subcategories, and Separately Regulated Uses]	Zone Designator	Zones																				
	1st & 2nd >>	CC-																				
	3rd >>	1-			2-			3-			4-						5-					
	4th >>	1	2	3	1	2	3	4	5	6	1	2	3	4	5	6	1	2	3	4	5	6
<i>Social Service Institutions</i>		C			C			C			C						C					
<i>Wireless communication facility:</i>																						
<i>Wireless communication facility in the public right-of-way with subterranean equipment adjacent to a non-residential use</i>		L			L			L			L						L					
<i>Wireless communication facility in the public right-of-way with subterranean equipment adjacent to a residential use</i>		N			N			N			N						N					
<i>Wireless communication facility in the public right-of-way with above ground equipment</i>		C			C			C			C						C					
<i>Wireless communication facility outside the public right-of-way</i>		L			L			L			L						L					
<b>Retail Sales</b>																						
<b>Building Supplies &amp; Equipment</b>		P <sup>(11)</sup>			P <sup>(11)</sup>			-			P <sup>(11)</sup>						P <sup>(11)</sup>					
<b>Food, Beverages and Groceries</b>		P <sup>(11)</sup>			P <sup>(11)</sup>			P <sup>(11)</sup>			P <sup>(11)</sup>						P <sup>(11)</sup>					
<b>Consumer Goods, Furniture, Appliances, Equipment</b>		P <sup>(11)</sup>			P <sup>(11)</sup>			P <sup>(11)</sup>			P <sup>(11)</sup>						P <sup>(11)</sup>					
<b>Pets &amp; Pet Supplies</b>		P <sup>(11)</sup>			P <sup>(11)</sup>			P <sup>(11)</sup>			P <sup>(11)</sup>						P <sup>(11)</sup>					
<b>Sundries, Pharmaceutical, &amp; Convenience Sales</b>		P <sup>(11)</sup>			P <sup>(11)</sup>			P <sup>(11)</sup>			P <sup>(11)</sup>						P <sup>(11)</sup>					
<b>Wearing Apparel &amp; Accessories</b>		P <sup>(11)</sup>			P <sup>(11)</sup>			P <sup>(11)</sup>			P <sup>(11)</sup>						P <sup>(11)</sup>					
<b>Separately Regulated Retail Sales Uses</b>																						
Agriculture Related Supplies & Equipment		-			-			-			P						P					
Alcoholic Beverage Outlets		L			L			L			L						L					
Plant Nurseries		P			P			P			P						P					
Swap Meets & Other Large Outdoor Retail Facilities		-			-			-			-						-					C
<b>Commercial Services</b>																						
<b>Building Services</b>		-			-			-			P						P					P
<b>Business Support</b>		P			P			P			P						P					P
<b>Eating &amp; Drinking Establishments</b>		P			P			P			P						P					P
<b>Financial Institutions</b>		P			P			P			P						P					P
<b>Funeral &amp; Mortuary Services</b>		P			P			P			P						P					P
<b>Maintenance &amp; Repair</b>		P			P			P			P						P					P
<b>Off-site Services</b>		-			-			-			P						P					P
<b>Personal Services</b>		P			P			P			P						P					P
<b>Assembly &amp; Entertainment</b>		P			P			P			P						P					P
<b>Radio &amp; Television Studios</b>		P			P			P			P						P					P
<b>Visitor Accommodations</b>		P			P			P			P						P					P
<b>Separately Regulated Commercial Services Uses</b>																						
Adult Entertainment Establishments:																						

Use Categories/Subcategories [See Section 131.0112 for an explanation and descriptions of the Use Categories, Subcategories, and Separately Regulated Uses]	Zone Designator		Zones																				
	1st & 2nd >>		CC-																				
	3rd >>		1-			2-			3-			4-						5-					
	4th >>		1	2	3	1	2	3	4	5	6	1	2	3	4	5	6	1	2	3	4	5	6
Adult Book Store	L	L	L	L	L	L	L	L	L	L	L	L	L	L	L	L	L	L	L	L	L	L	
Adult Cabaret	L	L	L	L	L	L	L	L	L	L	L	L	L	L	L	L	L	L	L	L	L	L	
Adult Drive-In Theater	L	L	L	L	L	L	L	L	L	L	L	L	L	L	L	L	L	L	L	L	L	L	
Adult Mini-Motion Picture Theater	L	L	L	L	L	L	L	L	L	L	L	L	L	L	L	L	L	L	L	L	L	L	
Adult Model Studio	L	L	L	L	L	L	L	L	L	L	L	L	L	L	L	L	L	L	L	L	L	L	
Adult Motel	L	L	L	L	L	L	L	L	L	L	L	L	L	L	L	L	L	L	L	L	L	L	
Adult Motion Picture Theater	L	L	L	L	L	L	L	L	L	L	L	L	L	L	L	L	L	L	L	L	L	L	
Adult Peep Show Theater	L	L	L	L	L	L	L	L	L	L	L	L	L	L	L	L	L	L	L	L	L	L	
Adult Theater	L	L	L	L	L	L	L	L	L	L	L	L	L	L	L	L	L	L	L	L	L	L	
Body Painting Studio	L	L	L	L	L	L	L	L	L	L	L	L	L	L	L	L	L	L	L	L	L	L	
Massage Establishment	L	L	-	-	-	-	-	-	-	-	-	-	-	-	-	-	-	-	-	-	L	L	
Sexual Encounter Establishment	L	L	L	L	L	L	L	L	L	L	L	L	L	L	L	L	L	L	L	L	L	L	
Bed & Breakfast Establishments:																							
1-2 Guest Rooms	P	P	P	P	P	P	P	P	P	P	P	P	P	P	P	P	P	P	P	P	P	P	
3-5 Guest Rooms	P	P	P	P	P	P	P	P	P	P	P	P	P	P	P	P	P	P	P	P	P	P	
6+ Guest Rooms	P	P	P	P	P	P	P	P	P	P	P	P	P	P	P	P	P	P	P	P	P	P	
Boarding Kennels	C	C	C	C	C	C	C	C	C	C	C	C	C	C	C	C	C	C	C	C	C	C	
Camping Parks	C	C	C	C	C	C	C	C	C	C	C	C	C	C	C	C	C	C	C	C	C	C	
Child Care Facilities:																							
Child Care Centers	L	-	L	L	L	L	L	L	L	L	L	L	L	L	L	L	L	L	L	L	L	L	
Large Family Child Care Homes	L	-	L	L	L	L	L	L	L	L	L	L	L	L	L	L	L	L	L	L	L	L	
Small Family Child Care Homes	L	-	L	L	L	L	L	L	L	L	L	L	L	L	L	L	L	L	L	L	L	L	
Eating and Drinking Establishments Abutting Residentially Zoned Property	L	L	L	L	L	L	L	L	L	L	L	L	L	L	L	L	L	L	L	L	L	L	
Fairgrounds	C	C	-	C	C	C	C	C	C	C	C	C	C	C	C	C	C	C	C	C	C	C	
Golf Courses, Driving Ranges, and Pitch & Putt Courses	C	C	C	C	C	C	C	C	C	C	C	C	C	C	C	C	C	C	C	C	C	C	
Helicopter Landing Facilities	C	C	C	C	C	C	C	C	C	C	C	C	C	C	C	C	C	C	C	C	C	C	
Instructional Studios	C	C	C	C	C	C	C	C	C	C	C	C	C	C	C	C	C	C	C	C	C	C	
Massage Establishments, Specialized Practice	L	L	-	-	-	-	-	-	-	-	-	-	-	-	-	-	-	-	-	-	L	L	
Nightclubs & Bars over 5,000 square feet in size	C	C	C	C	C	C	C	C	C	C	C	C	C	C	C	C	C	C	C	C	C	C	
Parking Facilities as a <i>Primary Use</i> :																							
Permanent Parking Facilities	P	C	P	P	P	P	P	P	P	P	P	P	P	P	P	P	P	P	P	P	P	P	
Temporary Parking Facilities	N	C	N	N	N	N	N	N	N	N	N	N	N	N	N	N	N	N	N	N	N	N	
Private Clubs, Lodges and Fraternal Organizations	P	C	P	P	P	P	P	P	P	P	P	P	P	P	P	P	P	P	P	P	P	P	
Privately Operated, Outdoor Recreation Facilities over 40,000 Square Feet in Size <sup>(9)</sup>	C	C	-	C	C	C	C	C	C	C	C	C	C	C	C	C	C	C	C	C	C	C	
Pushcarts:																							
Pushcarts on Private Property	L	L	L	L	L	L	L	L	L	L	L	L	L	L	L	L	L	L	L	L	L	L	
Pushcarts in <i>public right-of-way</i>	N	N	N	N	N	N	N	N	N	N	N	N	N	N	N	N	N	N	N	N	N	N	
Recycling Facilities:																							

Use Categories/Subcategories [See Section 131.0112 for an explanation and descriptions of the Use Categories, Subcategories, and Separately Regulated Uses]	Zone Designator		Zones																				
	1st & 2nd >>		CC-																				
	3rd >>		1-			2-			3-			4-						5-					
	4th >>		1	2	3	1	2	3	4	5	6	1	2	3	4	5	6	1	2	3	4	5	6
Large Collection Facility	N	N	N	N	N	N	N	N	N	N	N	N	N	N	N	N	N	N	N	N	N	N	
Small Collection Facility	L	L	L	L	L	L	L	L	L	L	L	L	L	L	L	L	L	L	L	L	L	L	
Large Construction & Demolition Debris Recycling Facility	-	-	-	-	-	-	-	-	-	-	-	-	-	-	-	-	-	-	-	-	-	-	
Small Construction & Demolition Debris Recycling Facility	-	-	-	-	-	-	-	-	-	-	-	-	-	-	-	-	-	-	-	-	-	-	
Drop-off Facility	L	L	L	L	L	L	L	L	L	L	L	L	L	L	L	L	L	L	L	L	L	L	
Green Materials Composting Facility	-	-	-	-	-	-	-	-	-	-	-	-	-	-	-	-	-	-	-	-	-	-	
Mixed Organic Composting Facility	-	-	-	-	-	-	-	-	-	-	-	-	-	-	-	-	-	-	-	-	-	-	
Large Processing Facility Accepting at Least 98% of Total Annual Weight of Recyclables from Commercial & Industrial Traffic	-	-	-	-	-	-	-	-	-	-	-	-	-	-	-	-	-	-	-	-	-	-	
Large Processing Facility Accepting All Types of Traffic	-	-	-	-	-	-	-	-	-	-	-	-	-	-	-	-	-	-	-	-	-	-	
Small Processing Facility Accepting at Least 98% of Total Annual Weight of Recyclables From Commercial & Industrial Traffic	-	-	-	-	-	-	-	-	-	-	-	-	C	C	C	C	C	C	C	C	C	C	
Small Processing Facility Accepting All Types of Traffic	-	-	-	-	-	-	-	-	-	-	-	-	C	C	C	C	C	C	C	C	C	C	
Reverse Vending Machines	L	L	L	L	L	L	L	L	L	L	L	L	L	L	L	L	L	L	L	L	L	L	
Tire Processing Facility	-	-	-	-	-	-	-	-	-	-	-	-	-	-	-	-	-	-	-	-	-	-	
Sidewalk Cafes	N	N	N	N	N	N	N	N	N	N	N	N	N	N	N	N	N	N	N	N	N	N	
Sports Arenas & Stadiums	C	C	C	C	C	C	C	C	C	C	C	C	C	C	C	C	C	C	C	C	C	C	
Theaters That Are Outdoor or over 5,000 Square Feet in Size	C	C	C	C	C	C	C	C	C	C	C	C	C	C	C	C	C	C	C	C	C	C	
Urgent Care Facilities	N	N	N	N	N	N	N	N	N	N	N	N	N	N	N	N	N	N	N	N	N	N	
Veterinary Clinics & Animal Hospitals	C	C	C	C	C	C	C	C	C	C	C	C	C	C	C	C	C	C	C	C	C	C	
Zoological Parks	-	-	-	-	-	-	-	-	-	-	-	-	-	-	-	-	-	-	-	-	-	-	
<b>Offices</b>																							
<b>Business &amp; Professional</b>	P	P	P	P	P	P	P	P	P	P	P	P	P	P	P	P	P	P	P	P	P	P	
<b>Government</b>	P	P	P	P	P	P	P	P	P	P	P	P	P	P	P	P	P	P	P	P	P	P	
<b>Medical, Dental &amp; Health Practitioner</b>	P	P	P	P	P	P	P	P	P	P	P	P	P	P	P	P	P	P	P	P	P	P	
<b>Regional &amp; Corporate Headquarters</b>	P	P	P	P	P	P	P	P	P	P	P	P	P	P	P	P	P	P	P	P	P	P	
<b>Separately Regulated Office Uses</b>																							
Real Estate Sales Offices & Model Homes	L	-	-	L	L	L	L	L	L	L	L	L	L	L	L	L	L	L	L	L	L	L	
Sex Offender Treatment & Counseling	L	L	L	L	L	L	L	L	L	L	L	L	L	L	L	L	L	L	L	L	L	L	
<b>Vehicle &amp; Vehicular Equipment Sales &amp; Service</b>																							
<b>Commercial Vehicle Repair &amp; Maintenance</b>	-	-	-	-	-	-	-	-	-	-	-	-	P	P	P	P	P	P	P	P	P	P	
<b>Commercial Vehicle Sales &amp; Rentals</b>	-	-	-	-	-	-	-	-	-	-	-	-	P	P	P	P	P	P	P	P	P	P	
<b>Personal Vehicle Repair &amp; Maintenance</b>	P	P	P	P	P	P	P	P	P	P	P	P	P	P	P	P	P	P	P	P	P	P	
<b>Personal Vehicle Sales &amp; Rentals</b>	P	P	P	P	P	P	P	P	P	P	P	P	P	P	P	P	P	P	P	P	P	P	

Use Categories/Subcategories [See Section 131.0112 for an explanation and descriptions of the Use Categories, Subcategories, and Separately Regulated Uses]	Zone Designator	Zones																				
	1st & 2nd >>	CC-																				
	3rd >>	1-			2-			3-			4-						5-					
	4th >>	1	2	3	1	2	3	4	5	6	1	2	3	4	5	6	1	2	3	4	5	6
<b>Vehicle Equipment &amp; Supplies Sales &amp; Rentals</b>		P			P			-			P						P					
<b>Separately Regulated Vehicle &amp; Vehicular Equipment Sales &amp; Service Uses</b>																						
Automobile Service Stations		N			N			N			N						N					
Outdoor Storage & Display of New, unregistered Motor Vehicles as a <i>primary use</i>		C			C			-			C						C					
<b>Wholesale, Distribution, Storage</b>																						
<b>Equipment &amp; Materials Storage Yards</b>		-			-			-			-						-					
<b>Moving &amp; Storage Facilities</b>		-			-			-			P						P					
<b>Warehouses</b>		-			-			-			P <sup>(8)</sup>						P <sup>(8)</sup>					
<b>Wholesale Distribution</b>		-			-			-			-						P <sup>(8)</sup>					
<b>Separately Regulated Wholesale, Distribution, and Storage Uses</b>																						
Impound Storage Yards		-			-			-			C						C					
Junk Yards		-			-			-			-						-					
Temporary Construction Storage Yards Located off-site		L			L			L			L						L					
<b>Industrial</b>																						
<b>Heavy Manufacturing</b>		-			-			-			-						-					
<b>Light Manufacturing</b>		-			-			-			-						P <sup>(8)</sup>					
<b>Marine Industry</b>		-			-			-			-						-					
<b>Research &amp; Development</b>		P			P			-			P						P					
<b>Trucking &amp; Transportation Terminals</b>		-			-			-			-						-					
<b>Separately Regulated Industrial Uses</b>																						
Extractive Industries		-			-			-			-						-					
<i>Hazardous Waste</i> Research Facility		-			-			-			-						-					
Hazardous Waste Treatment Facility		-			-			-			-						-					
Marine Related Uses Within the Coastal Overlay Zone		C			C			C			C						C					
Newspaper Publishing Plants		C			C			C			C						P					
Processing & Packaging of Plant Products & Animal By-products Grown Off-premises		-			-			-			-						-					
Very Heavy Industrial Uses		-			-			-			-						-					
Wrecking & Dismantling of Motor Vehicles		-			-			-			-						-					
<b>Signs</b>																						
<b>Allowable Signs</b>		P			P			P			P						P					
<b>Separately Regulated Signs Uses</b>																						
Community Entry Signs		L			L			L			L						L					
Neighborhood Identification Signs		-			-			-			-						-					
Reallocation of Sign Area Allowance		N			N			N			N						N					
Revolving Projecting Signs		N			N			N			N						N					

Use Categories/Subcategories [See Section 131.0112 for an explanation and descriptions of the Use Categories, Subcategories, and Separately Regulated Uses]	Zone Designator	Zones																				
	1st & 2nd >>	CC-																				
	3rd >>	1-			2-			3-			4-						5-					
	4th >>	1	2	3	1	2	3	4	5	6	1	2	3	4	5	6	1	2	3	4	5	6
Signs with Automatic Changing Copy		N			N			N			N						N					
Theater <i>Marquees</i>		N			N			N			N						N					

Footnotes to Table 131-05B

- <sup>1</sup> Uses shall not begin operating before 6:00 a.m. or continue operating later than 12:00 midnight in CN zones.
- <sup>2</sup> See Section 131.0540.
- <sup>3</sup> Only office furniture, appliances, and equipment establishments are permitted. The *gross floor area* occupied by these uses shall not exceed 2,500 square feet for each *premises*.
- <sup>4</sup> Drive-in and drive-through restaurants, live entertainment, and the sale of intoxicating beverages other than beer and wine are not permitted in the CN zones.
- <sup>5</sup> The sale of alcoholic beverages is not permitted as a *primary use*.
- <sup>6</sup> The *gross floor area* occupied by these uses shall not exceed 2,500 square feet for each *premises*.
- <sup>7</sup> Hiring halls are not permitted.
- <sup>8</sup> These activities shall be located solely within an enclosed building that does not exceed 7,500 square feet of *gross floor area*. Activities that would require a permit from the Hazardous Materials Management Division of the County of San Diego or from the San Diego Air Pollution Control District are not permitted, except within the CC-5-4 zone within the Barrio Logan Community Plan area.
- <sup>9</sup> The 40,000 square feet includes all indoor and outdoor areas that are devoted to the recreational use; it does not include customer parking areas.
- <sup>10</sup> This use is not allowed within the Coastal Overlay Zone.
- <sup>11</sup> *Development of a large retail establishment* is subject to Section 143.0302.
- <sup>12</sup> Residential use is not permitted within the CC-5-4 zone within the Barrio Logan Community Plan area.

**§131.0530 Development Regulations of Commercial Zones**

- (a) Within the commercial zones, no *structure* or improvement shall be constructed, established, or altered, nor shall any *premises* be used unless the *premises* complies with the regulations and standards in this division and with any applicable development regulations in Chapter 13, Article 2 (Overlay Zones) and Chapter 14 (General and Supplemental Regulations).
- (b) A Neighborhood Development Permit or Site Development Permit is required for the types of *development* identified in Table 143-03A.
- (c) The regulations in this division apply to all proposed *development* in the commercial base zones whether or not a permit or other approval is required except where specifically identified.

**§131.0531 Development Regulations Tables of Commercial Zones**

The following development regulations apply in each of the commercial zones as shown in Tables 131-05C, 131-05D, and 131-05E.

(a) CN Zones

**Table 131-05C  
Development Regulations of CN Zones**

Development Regulations [See Section 131.0530 for Development Regulations of Commercial Zones]	Zone Designator	Zones			
	1st & 2nd >>	CN-			
	3rd >>	1-	1-	1-	<u>1-</u>
	4th >>	1	2	3	<u>4</u>
<b>Max permitted residential density<sup>(1)</sup></b>		3,000	1,500	1,500	<u>1,000</u>
<b>Supplemental residential regulations</b> [See Section 131.0540]		applies	applies	applies	<u>applies</u>
<b>Lot area</b>					
Min Lot Area (sf)		2,500	5,000	5,000	<u>2,500</u>
Max Lot Area (ac)		0.3	10	10	<u>0.3</u>
<b>Lot dimensions</b>					
Min Lot Width (ft)		25	50	50	<u>25</u>
Min <i>street frontage</i> (ft)		25	50	50	<u>25</u>
Min Lot Depth (ft)		100	--	--	<u>--</u>
<b>Setback requirements</b>					
Min Front <i>setback</i> (ft)		--	--	--	<u>--</u>
Max Front <i>setback</i> (ft) [See Section 131.0543(a)(1)]		10 <sup>(2)</sup>	--	10 <sup>(2)</sup>	<u>10<sup>(2)</sup></u>
Min Side <i>setback</i> (ft)		10	10	10	<u>10</u>
Optional Side <i>setback</i> (ft) [See Section 131.0543(b)]		0	0	0	<u>0</u>
Side <i>Setback</i> abutting residential [See Section 131.0543(c)]		applies	applies	applies	<u>applies</u>
Min <i>Street Side setback</i> (ft)		--	--	--	<u>--</u>
Max <i>Street Side setback</i> (ft) [See Section 131.0543(a)(1)]		10 <sup>(2)</sup>	--	10 <sup>(2)</sup>	<u>10<sup>(2)</sup></u>
Min Rear <i>setback</i> (ft)		10	10	10	<u>10</u>
Optional Rear <i>setback</i> (ft) [See Section 131.0543(b)]		0	0	0	<u>0</u>
Rear <i>Setback</i> abutting residential [See Section 131.0543(c)]		applies	applies	applies	<u>applies</u>
<b>Max structure height</b> (ft)		30	30	30	<u>60</u>

Development Regulations [See Section 131.0530 for Development Regulations of Commercial Zones]	Zone Designator	Zones			
	1st & 2nd >>	CN-			
	3rd >>	1-	1-	1-	<u>1-</u>
	4th >>	1	2	3	<u>4</u>
<b>Max floor area ratio</b>		1.0 <sup>(3)</sup>	1.0 <sup>(3)</sup>	1.0 <sup>(3)</sup>	<u>1.0<sup>(3)</sup></u>
<i>Floor Area Ratio</i> bonus for residential mixed use / <del>Minimum percentage of bonus required for residential use</del> [See Section 131.0546(a)]		0.5 /100	0.75 /50	0.75 /50	<u>1.2</u>
<u>Minimum Floor Area Ratio</u> for residential use		<u>0.5</u>	<u>0.38</u>	<u>0.38</u>	<u>0.6</u>
<b>Pedestrian paths</b> [See Section 131.0550]		applies	applies	applies	<u>applies</u>
<b>Transparency</b> [See Section 131.0552]		applies	--	applies	<u>applies</u>
<b>Building articulation</b> [See Section 131.0554]		applies	applies	applies	<u>applies</u>
<b>Refuse and Recyclable Material Storage</b> [See Section 142.0805]		applies	applies	applies	<u>applies</u>

Footnotes for Table 131-05C

- <sup>1</sup> One dwelling unit per specified minimum square footage of lot area as determined in accordance with Section 113.0222.
- <sup>2</sup> See Section 131.0543(a)(2).
- <sup>3</sup> Within the Kearny Mesa Community Plan area, the maximum *floor area ratio* is 0.50 and the portion of the maximum allowed *gross floor area* that may be occupied by retail sales or eating and drinking establishments shall not exceed 70 percent.

(b) CR, CO, CV, and CP Zones

**Table 131-05D**  
**Development Regulations of CR, CO, CV, CP Zones**

Development Regulations [See Section 131.0530 for Development Regulations of Commercial Zones]	Zone Designator	Zones							
	1st & 2nd >>	CR-		CO-			CV-		CP-
	3rd >>	1-	2-	1-		2-		1-	1-
	4th >>	1	1	2	<u>1-</u>	<u>2-</u>	1	2	1
<b>Max permitted residential density</b> <sup>(1)</sup>		1,500	1,000	1,500	=	=	1,500	1,500	--
<b>Supplemental residential regulations</b> [See Section 131.0540]		applies	applies	applies	<u>applies</u>	<u>applies</u>	applies	applies	--
<b>Lot area</b>									
Min Lot Area (sf)		15,000	5,000	5,000	<u>5,000</u>	<u>5,000</u>	15,000	5,000	--
Max Lot Area (ac)		--	--	--	=	=	--	--	--
<b>Lot dimensions</b>									
Min Lot Width (ft)		100	50	50	<u>50</u>	<u>50</u>	100	50	--
Min <i>street frontage</i> (ft)		100	50	50	<u>50</u>	<u>50</u>	100	50	--
Min Lot Depth (ft)		100	100	100	<u>100</u>	<u>100</u>	100	100	--
<b>Setback requirements</b>									

Min Front <i>setback</i> (ft) Max Front <i>setback</i> (ft) [See Section 131.0543(a)(1)]	10 --	10 25 <sup>(2)</sup>	10 --	<u>10</u> <u>25<sup>(2)</sup></u>	<u>10</u> --	10 --	-- 10 <sup>(2)</sup>	10 --
Min Side <i>setback</i> (ft) Optional Side <i>setback</i> (ft)	10 --	10 0 <sup>(3)</sup>	10 0 <sup>(3)</sup>	<u>10</u> <u>0<sup>(3)</sup></u>	<u>10</u> <u>0<sup>(3)</sup></u>	10 --	10 0 <sup>(3)</sup>	10 --
Side <i>Setback</i> abutting residential [See Section 131.0543(c)]	applies	applies	applies	<u>applies</u>	<u>applies</u>	applies	applies	applies
Min <i>Street Side setback</i> (ft) Max <i>Street Side setback</i> (ft) [See Section 131.0543(a)(1)]	10 --	10 25 <sup>(2)</sup>	10 --	<u>10</u> <u>25<sup>(2)</sup></u>	<u>10</u> --	-- --	-- 10 <sup>(2)</sup>	-- --
Min Rear <i>setback</i> (ft) Optional Rear <i>setback</i> (ft)	10 --	10 0 <sup>(3)</sup>	10 0 <sup>(3)</sup>	<u>10</u> <u>0<sup>(3)</sup></u>	<u>10</u> <u>0<sup>(3)</sup></u>	10 --	10 0 <sup>(3)</sup>	10 0 <sup>(3)</sup>
Rear <i>Setback</i> abutting residential [See Section 131.0543(c)]	applies	applies	applies	<u>applies</u>	<u>applies</u>	applies	applies	applies
<b>Max structure height</b> (ft)	60	45	60	<u>45</u>	<u>60</u>	60	45	30
<b>Min lot coverage</b> (%)	--	--	--	--	--	--	35	--
<b>Max floor area ratio</b>	1.0 <sup>(4)</sup>	0.75 <sup>(4)</sup>	1.5 <sup>(4)</sup>	<u>0.75<sup>(4)</sup></u>	<u>1.5<sup>(4)</sup></u>	2.0 <sup>(4)</sup>	2.0 <sup>(4)</sup>	1.0 <sup>(4)</sup>
<i>Floor Area Ratio</i> bonus for residential mixed use/ <del>Minimum percentage of bonus required for residential use</del> [See Section 131.0546(a)]	1.0/ <del>50</del>	1.0/ <del>400</del>	1.5	--	--	--	--	--
<u>Minimum Floor Area Ratio</u> for residential use	<u>0.5</u>	<u>1.0</u>	0.75	--	--	--	--	--
<i>Floor Area Ratio</i> bonus for child care [See Section 131.0546(b)]	applies	--	applies	--	<u>applies</u>	--	--	--
<b>Pedestrian paths</b> [See Section 131.0550]	applies	applies	applies	<u>applies</u>	<u>applies</u>	applies	applies	--
<b>Transparency</b> [See Section 131.0552]	--	applies	--	<u>applies</u>	--	--	applies	--
<b>Building articulation</b> [See Section 131.0554]	applies	applies	applies	<u>applies</u>	<u>applies</u>	applies	applies	--
<b>Street yard parking restriction</b> [See Section 131.0555]	--	applies	--	<u>applies</u>	--	--	--	--
<b>Parking lot orientation</b> [See Section 131.0556]	applies	--	applies	--	<u>applies</u>	applies	applies	--
<b>Refuse and Recyclable Material Storage</b> [See Section 142.0805]	applies	applies	applies	<u>applies</u>	<u>applies</u>	applies	applies	applies

Footnotes for Table 131-05D

- <sup>1</sup> One dwelling unit per specified minimum square footage of lot area as determined in accordance with Section 113.0222.
- <sup>2</sup> See section 131.0543(a)(2).
- <sup>3</sup> See section 131.0543(b).
- <sup>4</sup> Within the Kearny Mesa Community Plan area, the maximum *floor area ratio* is 0.50 and the portion of the maximum allowed *gross floor area* that may be occupied by retail sales or eating and drinking establishments shall not exceed 70 percent.

(c) CC Zones

**Table 131-05E  
Development Regulations of CC Zones**

Development Regulation [See Section 131.0530 for Development Regulations of Commercial Zones]	Zone Designator	Zones					
	1st & 2nd >>	CC-					
	3rd >> 4th >>	1- 2- 4- 5-	1- 2- 4- 5-	1- 2- 4- 5	3- 4- 5-	3- 4- 5-	3- 4- 5-
		1	2	3	4	5	6
<b>Max permitted residential density</b> <sup>(1)</sup>		1,500	1,500	1,500	1,500	1,500	1,000
<b>Supplemental residential regulations</b> [See Section 131.0540]		applies	applies	applies	applies	applies	<u>applies</u>
<b>Lot area</b>							
Min Lot Area (sq. ft.)		5,000	5,000	5,000	2,500	2,500	<u>2,500</u>
Max Lot Area (ac)		--	--	--	--	--	--
<b>Lot dimensions</b>							
Min Lot Width (ft)		50	50	100	25	25	<u>25</u>
Min <i>street frontage</i> (ft)		50	50	100	25	25	<u>25</u>
Min Lot Depth (ft)		100	100	--	--	--	--
Max Lot Depth (ft)		150	150	--	--	--	--
<b>Setback requirements</b>							
Min Front <i>setback</i> (ft)		--	--	--	--	--	--
Max Front <i>setback</i> (ft) [See Section 131.0543(a)(1)]		100 <sup>(2,3)</sup>	100 <sup>(2,3)</sup>	--	10 <sup>(2)</sup>	10 <sup>(2)</sup>	--
Min Side <i>setback</i> (ft)		10	10	10	10	10	<u>10</u>
Optional Side <i>setback</i> (ft) [See Section 131.0543(b)]		0	0	0	0	0	<u>0</u>
Side <i>Setback</i> abutting residential [See Section 131.0543(c)]		applies	applies	applies	applies	applies	<u>applies</u>
Min <i>Street Side setback</i> (ft)		--	--	--	--	--	--
Max <i>Street Side setback</i> (ft) [See Section 131.0543(a)(1)]		--	--	--	10 <sup>(2)</sup>	10 <sup>(2)</sup>	<u>10<sup>(2)</sup></u>
Min Rear <i>setback</i> (ft)		10	10	10	10	10	<u>10</u>
Optional Rear <i>setback</i> (ft) [See Section 131.0543(b)]		0	0	0	0	0	<u>0</u>
Rear <i>Setback</i> abutting residential [See Section 131.0543(c)]		applies	applies	applies	applies	applies	<u>applies</u>
<b>Max structure height</b> (ft)		30	60	45	30	100	<u>60</u>
<b>Min lot coverage</b> (%)		--	--	--	35	35	<u>35</u>

Development Regulation [See Section 131.0530 for Development Regulations of Commercial Zones]	Zone Designator	Zones																				
	1st & 2nd >>	CC-																				
	3rd >>	1-	2-	4-	5-	1-	2-	4-	5-	1-	2-	4-	5	3-	4-	5-	3-	4-	5-	3-	4-	5-
	4th >>	1			2			3			4			5			6					
<b>Max floor area ratio</b>		0.75 <sup>(4)</sup>			2.0 <sup>(4)</sup>			0.75 <sup>(4)</sup>			1.0 <sup>(4)</sup>			2.0 <sup>(4)</sup>			2.0 <sup>(4)</sup>					
<i>Floor Area Ratio</i> bonus for residential mixed use/ <del>Minimum percentage of bonus required for residential use</del> [See Section 131.0546(a)]		0.75/75			--			0.75/75			0.5/50			2.0/50			2.0					
<u>Minimum Floor Area Ratio</u> for residential use		0.56			--			0.56			0.25			1.0			1.0					
<b>Pedestrian paths</b> [See Section 131.0550]		applies			applies			applies			applies			applies			<u>applies</u>					
<b>Transparency</b> [See Section 131.0552]		---			---			---			applies			applies			<u>applies</u>					
<b>Building articulation</b> [See Section 131.0554]		applies			applies			applies			applies			applies			<u>applies</u>					
<b>Parking lot orientation</b> [See Section 131.0556]		applies			applies			applies			-			-			=					
<b>Refuse and Recyclable Material Storage</b> [See Section 142.0805]		applies			applies			applies			applies			applies			<u>applies</u>					

Footnotes for Table 131-05E

- <sup>1</sup> One dwelling unit per specified minimum square feet of lot area as determined in accordance with Section 113.0222.
- <sup>2</sup> See Section 131.0543(a)(2).
- <sup>3</sup> See Section 131.0543(a)(3).
- <sup>4</sup> Within the Kearny Mesa Community Plan area, the maximum *floor area ratio* is 0.50 and the portion of the maximum allowed *gross floor area* occupied by retail sales or eating and drinking establishments shall not exceed 70 percent.

**§131.0540 Maximum Permitted Residential Density and Other Residential Regulations**

The following regulations apply to all residential *development* within commercial zones:

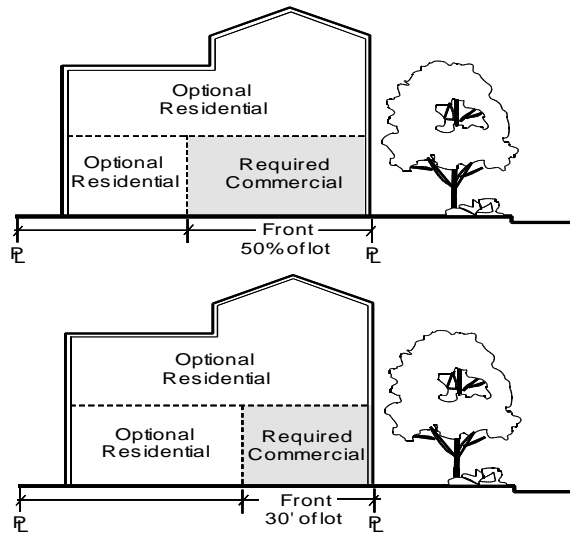
- (a) Residential *Development* as a Permitted Use.

Residential *development* is permitted in commercial zones only where it is identified in Table 131-05B.

- (b) Mixed-Use or Multi-Use Requirement. Residential *development* is permitted only when a commercial *structure* exists on the *premises* or is a part of the proposed *development*. For purposes of this section a commercial structure shall be required to have a minimum ground floor height of 13 feet.
- (c) Ground *Floor* Restrictions.

- (1) Residential use and residential parking are prohibited on the ground floor in the front half of the lot, except in the CC-3-4, CC-3-5, CC-3-6, CC-4-4, CC-4-5, CC-4-6, CC-5-4, CC-5-5, CC-5-6, and CV-1-2 zones, where these uses are prohibited on the ground floor in the front 30 feet of the lot as shown in Diagram 131-05A.
- (2) Within the Coastal Overlay Zone:
  - (A) Required parking cannot occupy more than 50 percent of the ground floor in the CV-1-1 or CV-1-2 zones.
  - (B) Residential uses are not permitted on the ground floor.

**Diagram 131-05A  
Ground Floor Restriction**



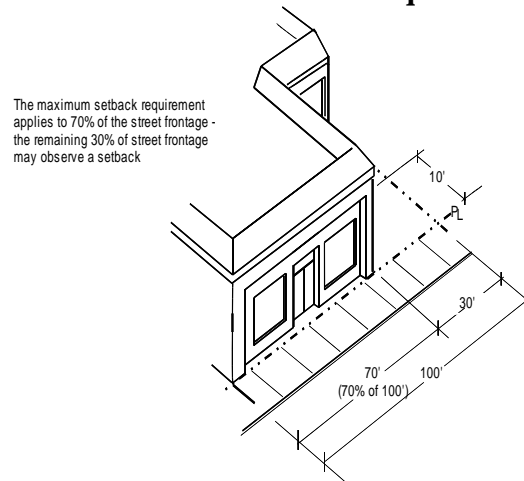
- (d) Residential *Development*. Where residential *development* is permitted, the development regulations of the RM-1-1, RM-2-5, and RM-3-7 zones as appropriate according to the maximum permitted residential *density* apply, except that the lot area, lot dimensions, *setback*, *floor area ratio*, and *structure height* requirements of the applicable commercial zone apply.
- (e) Non owner occupants must reside on the premises for a minimum of 7 consecutive calendar days.
- (f) ~~Within the Coastal Overlay Zone, residential uses are not permitted on the ground floor.~~

**§131.0543 Setback Requirements for Commercial Zones**

*Setback* requirements are specified in Tables 131-05C, 131-05D, and 131-05E and are subject to the following exceptions and additional regulations:

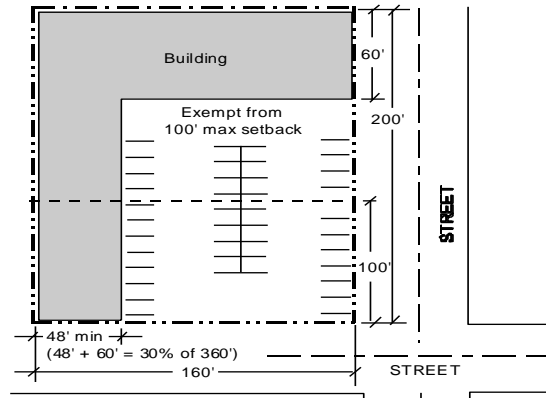
- (a) Front and *Street Side Setback* Requirements
  - (1) Off-street parking in all commercial zones may be located within the required front *yard* and required street side yard adjoining the required landscaped strip abutting *public rights-of-way*.
  - (2) In the CN, CO, CV, and CC zones with a maximum front or *street side setback* as shown in Tables 131-05C, 131-05D, and 131-05E, the maximum *setback* shall apply to only 70 percent of the *street frontage*. There is no maximum *setback* for the remaining 30 percent. See Diagram 131-05B.

**Diagram 131-05B**  
**Maximum Setback Requirement**



- (3) In the CC-1-1, CC-1-2, CC-2-1, CC-2-2, CC-4-1, CC-4-2, CC-5-1, and CC-5-2 zones, the 100-foot maximum front *setback* does not apply to *lots* with more than 75 feet of *street frontage* if the proposed *development* is within 10 feet of the front or *street side property line* for at least 30 percent of the *street frontage*. See Diagram 131-05C.

**Diagram 131-05C**  
**Exception to Maximum Setback**



NOTE: Example of exemption from 100' max setback

- The lot has more than 75' of lineal street frontage
- Buildings are located within 0' -5' of the front and street side property line for 30% of the total linear street frontage

(b) **Minimum Side and Rear *Setback***

In zones that require a 10-foot minimum side or rear *setback* and provide the option for no side or rear *setbacks* as shown in Tables 131-05C, 131-05D, and 131-05E, the *structure* shall either be placed at the *property line* or shall be set back at least 10 feet.

(c) **Commercial *Development* Abutting Residentially Zoned Properties**

- (1) The minimum side *setback* for *structures* placed at the side *property line* is as follows. Any portion of the *structure* exceeding 15 feet in height shall be stepped back from the side *property line* 10 feet, or 10 percent of the lot width but not less than 5 feet, whichever is less. Each 15 feet in height above 30 feet shall be stepped back at least 3 feet from the minimum *setback* of that portion of the *structure* immediately below.
- (2) Minimum rear *setback* for *structures* placed at the rear *property line* is as follows. Any portion of the *structure* exceeding 15 feet in height shall be stepped back from the rear *property line* 10 feet, or 10 percent of the lot depth but not less than 5 feet, whichever is less. Each 15 feet in height above 30 feet shall be stepped back at least 3 feet from the minimum *setback* of that portion of the *structure* immediately below.

- (3) For side and rear *yards*, if the *structure* is set back 10 feet or more from the *property line*, each 15 feet in height above 30 feet shall be stepped back at least 3 feet from the minimum *setback* of that portion of the *structure* immediately below.

**§131.0546 Maximum Floor Area Ratio**

Maximum *floor area ratio* is specified in Tables 131-05C, 131-05D, 131-05E and is subject to the following additional regulations:

- (a) *Floor Area Ratio Bonus for Mixed Use*  
A *floor area ratio* bonus is provided in some commercial zones, as indicated in Tables 131-05C, 131-05D, and 131-05E, for residential uses that are developed as a part of a mixed-use project. A ~~minimum percentage of the FAR bonus~~ minimum required residential floor area ratio is shown in the tables, ~~which~~ and must be applied toward the residential portion of the project. The remainder of the bonus may be used for either commercial or residential uses.
- (b) *Child Care Facilities Bonus*  
In the CR-1-1, CR-2-1, and CO-1-2 zones, a bonus over the otherwise maximum allowable *gross floor area* is permitted at the rate of 4 square feet of additional *gross floor area* for each 1 square foot of *gross floor area* devoted to the *child care facility*. The area designated for the facility must be used for child care for a minimum of 10 years and must be in compliance with the requirements of Section 141.0606 (Child Care Facilities).

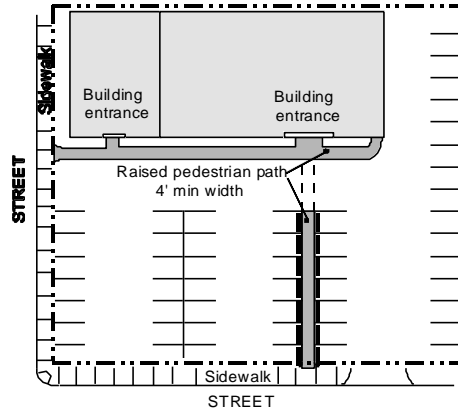
**§131.0550 Pedestrian Paths**

Where pedestrian paths are required in Tables 131-05C, 131-05D, or 131-05E, the number, location, and design of the paths shall be in accordance with the following.

- (a) Each commercial tenant space shall be accessible from an abutting public *street* by a pedestrian path that is at least 4 feet wide as shown on Diagram 131-05D. The path shall be continuous, clear of obstructions, easily identifiable as a pedestrian path, and visually distinguishable from other hardscaping. Pedestrian paths shall be separated from vehicular access areas by wheelstops, curbs, landscaping, or other physical barriers, except when crossing driveways or aisles.
- (b) At least one pedestrian path shall be provided for each property frontage on an improved public *street* when at some point along the frontage the difference in elevation between the sidewalk in the *public right-of-way* and the building or vehicle use area closest to the abutting *street frontage* is less

than 4 feet, as shown in Diagram 131-05D. For a *premises* with more than three frontages, only three pedestrian paths are required.

**Diagram 131-05D  
Pedestrian Paths**

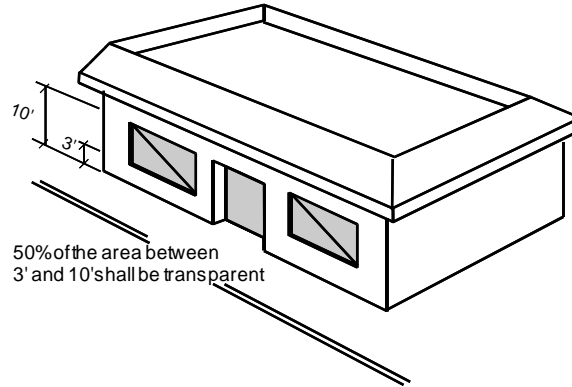


- (c) Building entrances located at the front or *street side property line*, where the building *setback* is zero, qualify as a required pedestrian path.

**§131.0552 Transparency**

Where transparency is required by Tables 131-05C, 131-05D, or 131-05E, a minimum of 50 percent of *street wall* area between 3 and 10 feet above the sidewalk shall be transparent, with clear glass visible into a commercial or residential use. Windows or other transparent materials that provide visibility into a garage or similar area do not count toward the required transparency. See Diagram 131-05E.

**Diagram 131-05E  
Transparency**



**§131.0554 Building Articulation**

Where building articulation is required by Tables 131-05C, 131-05D, or 131-05E, the following regulations apply.

- (a) All building elevations fronting a *public right-of-way* shall be composed of offsetting planes that provide relief in the *building facade* by inseting or projecting surfaces (planes) of the building. The minimum number of offsetting planes and the minimum horizontal separation between planes is based on the length of the new *building facade*, as shown in Table 131-05F.

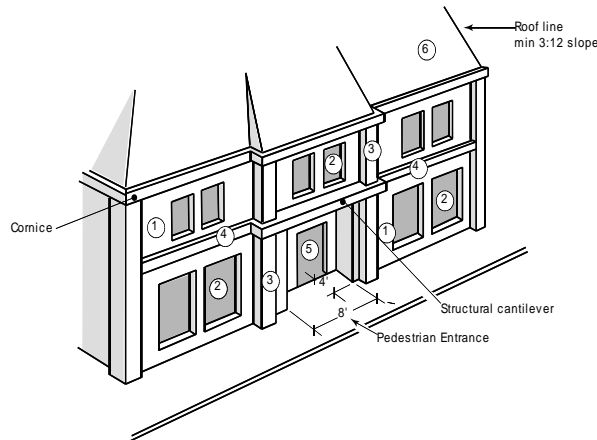
**Table 131-05F  
 Offsetting Plane Requirements**

<b>Length of New <i>Building Façade</i></b>	<b>Number of Offsetting Planes Required</b>
25 ft or less	2 with a minimum separation of 3 inches
More than 25 ft. but less than or equal to 50 ft	4 planes consisting of : 2 with a minimum separation of 3 inches, and 2 with a minimum separation of 8 inches
More than 50 ft. but less than or equal to 100 ft	6 planes consisting of: 2 with a minimum separation of 3 inches, and 2 with a minimum separation of 8 inches, and 2 with a minimum separation of 3 feet
More than 100 ft	6 planes consisting of: 2 with a minimum separation of 3 inches, and 2 with a minimum separation of 8 inches, and 2 with a minimum separation of 3 feet, and plus 1 additional plane for each 50 feet of <i>building facade</i> length over 100 feet (maximum of 3 additional planes required with a minimum

Length of New <i>Building Façade</i>	Number of Offsetting Planes Required
	separation of 5 feet).

- (1) For purposes of this section, the area of a plane may include separate surfaces that are non-contiguous but which all lie in the same plane. Each numbered surface of the building shown in Diagram 131-05F represents a different plane of the building facade. The sum of the area of each plane labeled with the same number in Diagram 131-05F is the total area of that plane.

**Diagram 131-05F  
Building Articulation**



- (2) For purposes of this section, an offset is the distance between two different planes of a *building facade* measured perpendicularly to the plane surface (for example, the dimension between plane 1 and 2 in Diagram 131-05F).
- (b) Where a 3-inch or 8-inch offset between planes is required, the total area of any single offsetting plane shall be more than 5 percent and less than 50 percent of the total *building facade* area on that frontage.

- (c) Where a 3-foot or 5-foot offset between planes is required, the total area of any single offsetting plane shall be more than 10 percent and less than 50 percent of the total *building facade* area on that frontage.
- (d) The following elements of a *building facade* may be used to satisfy any one required building plane:
  - (1) Roofs with a minimum pitch from eave to peak of 3:12 (3 vertical feet to 12 horizontal feet) and a minimum area of 10 percent of the building elevation fronting on a *public right-of-way*;
  - (2) Pedestrian entrances with a minimum offset dimension of 4 feet from the primary plane of the *building facade* and a minimum width of 8 feet;
  - (3) A cornice equal to at least 70 percent of the length of the *building facade* that has a minimum offset of 1 foot, located along the *street wall*; and
  - (4) Structural cantilevers with combined lengths totaling at least 30 percent of the length of the *building facade*, with an average offset of at least 2 feet, located along the *street wall*. *Roof eaves* do not count as offsetting planes.

**§131.0555 Parking Restriction**

In the CO-1-1 zone, parking is not permitted in the required front and street side yard.

**§131.0556 Parking Lot Orientation**

In all zones where the parking lot orientation regulation applies, as indicated in Table 131-05D or 131-05E, proposed *development* with over 100,000 square feet of *gross floor area* and more than one *street frontage* shall locate no more than 50 percent of the *vehicular use area* between the longest *street frontage* providing public access to the *premises* and a building or buildings.

**Diagram 131-05G  
Parking Lot Orientation Restriction**

