

GREATER GOLDEN HILL PLANNING COMMITTEE

May 14, 2014

6:30 PM

Balboa Park Golf Course Clubhouse, 2600 Golf Course Drive

www.sandiego.gov/planning/community/cpg

Call to Order **6:30

Additions and/or Deletions to Agenda

Approval of Minutes

Governmental Reports **6:35

Community Police Officer – Kevin Vasquez {619.674.7268 or kvasquez@pd.sandiego.gov}

39th Senate District – Chris Ward {619.645.3133 or christopher.ward@sen.ca.gov}

53rd Congressional District – Gavin Deeb {619.280.5353 or gavin.deeb@mail.house.gov}

80th Assembly District – Aida Castaneda {619.338.8090 or aida.castaneda@asm.ca.gov}

Council District 3 – Courtney Thomson {619.236.6633 or cthompson@sandiego.gov}

City Planner – Bernard Turgeon {619.533.6575 or bturgeon@sandiego.gov}

Non Agenda Public Comment **6:50

Chair Report, Vice Chair Report **7:00

Action Items **7:05

- **Airport Noise Monitoring Pole Upgrade**, Sjohnna Knack, Program Manager
Airport Noise Mitigation / Quieter Home Program sknack@san.org
- **28th Street between A Street and B Street, Parking Increase**
- **DecoBike Locations**
- **Election of Committee Member Positions**, Greater Golden Hill Planning Committee

Information Items **7:30

Sub-Committee Updates

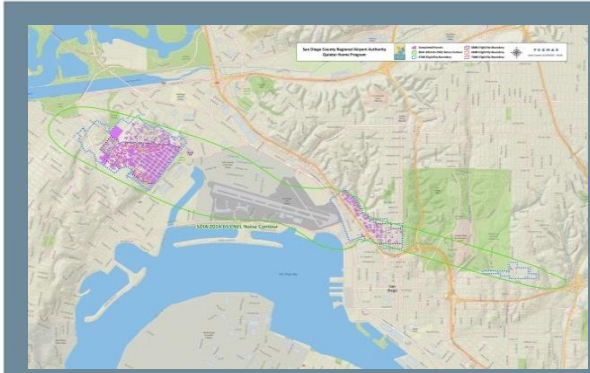
Historic* – Susan Bugbee {bugbee@sandiego.edu}

Adjournment **8:30

*If you are interested in attending the Historic meeting please email the appropriate committee to confirm meeting and agenda.

**All times are estimated – Action Items may also be taken before Information Items.

The City of San Diego distributes agendas via email and can also provide agendas in alternative formats as well as a sign language or oral interpreter for the meeting with advance notice. To request these services, please contact the City at 619.236.6479 or sdplanninggroups@sandiego.gov



Upgrade Noise Monitoring Poles

Project No. 3406 | I

May 14, 2014

Sjohnna Knack





Project Overview

- Upgrade of existing noise monitoring sites built in 1970s – 80s.
- Upgrade includes installation of new metal poles adjacent to the existing wooden pole.
- After installation of the new metal pole, the existing wooden pole will be removed.
- Allows Airport Authority to meet State of California Public Utilities Code Title 21 requirements by providing uninterrupted noise monitoring surrounding the airport.





1328 Dale Street

- Dale Street near Ash Street
- Public Right of Way
- Moving 2 ft west and 4 ft north of existing pole

Existing Pole adjacent to Rendering for Visual Purposes Only



For More Information:

Sjohnna Knack, Program Manager
Airport Noise Mitigation

sknack@san.org
(619) 400-2639



28th Street Head In Parking Conversion Project

Location: 28th Street (Between A Street – B Street)

Existing: 19 Angle Parking Spaces

Proposed: 26 Head In Parking Spaces

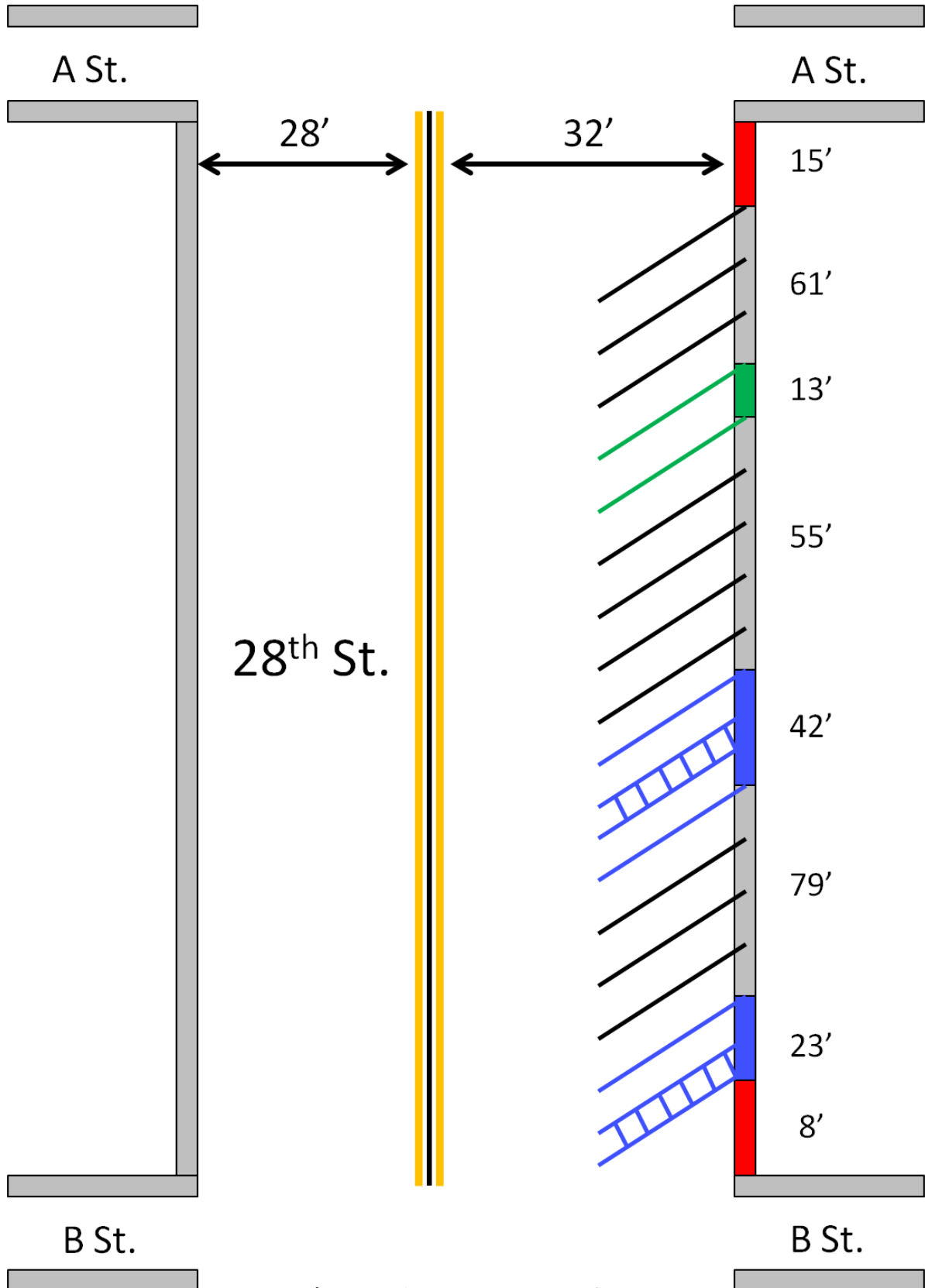
Total Gain By Conversion: 7 spaces



Existing Conditions

Location: 28th Street (Between A Street – B Street)

19 Angle Spaces (6 metered, 3 disabled parking , 10 unmetered)

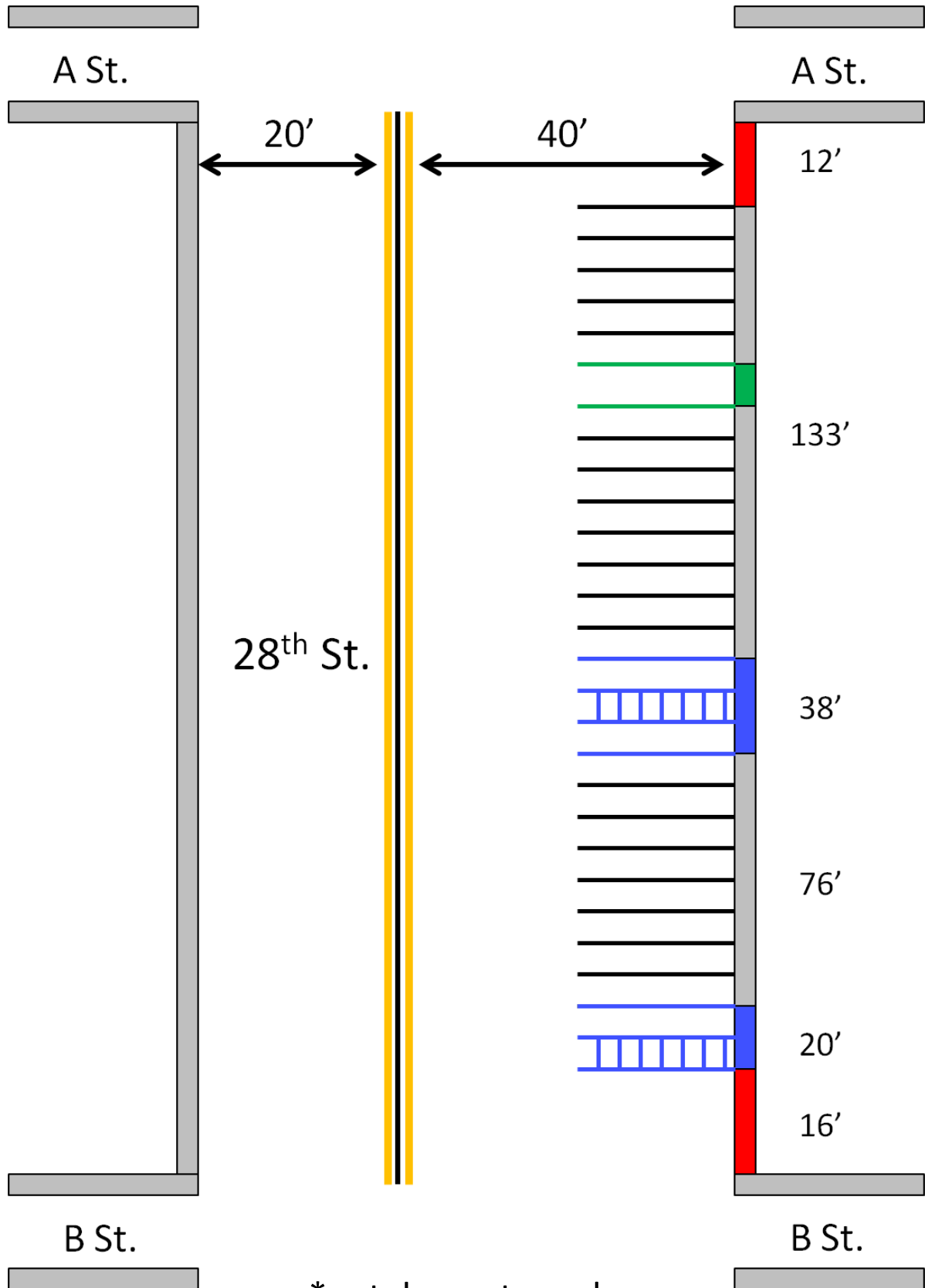


*not drawn to scale

Proposed Conditions

Location: 28th Street (Between A Street – B Street)

26 Head In Spaces (6 metered, 3 disabled parking, 17 unmetered)



*not drawn to scale

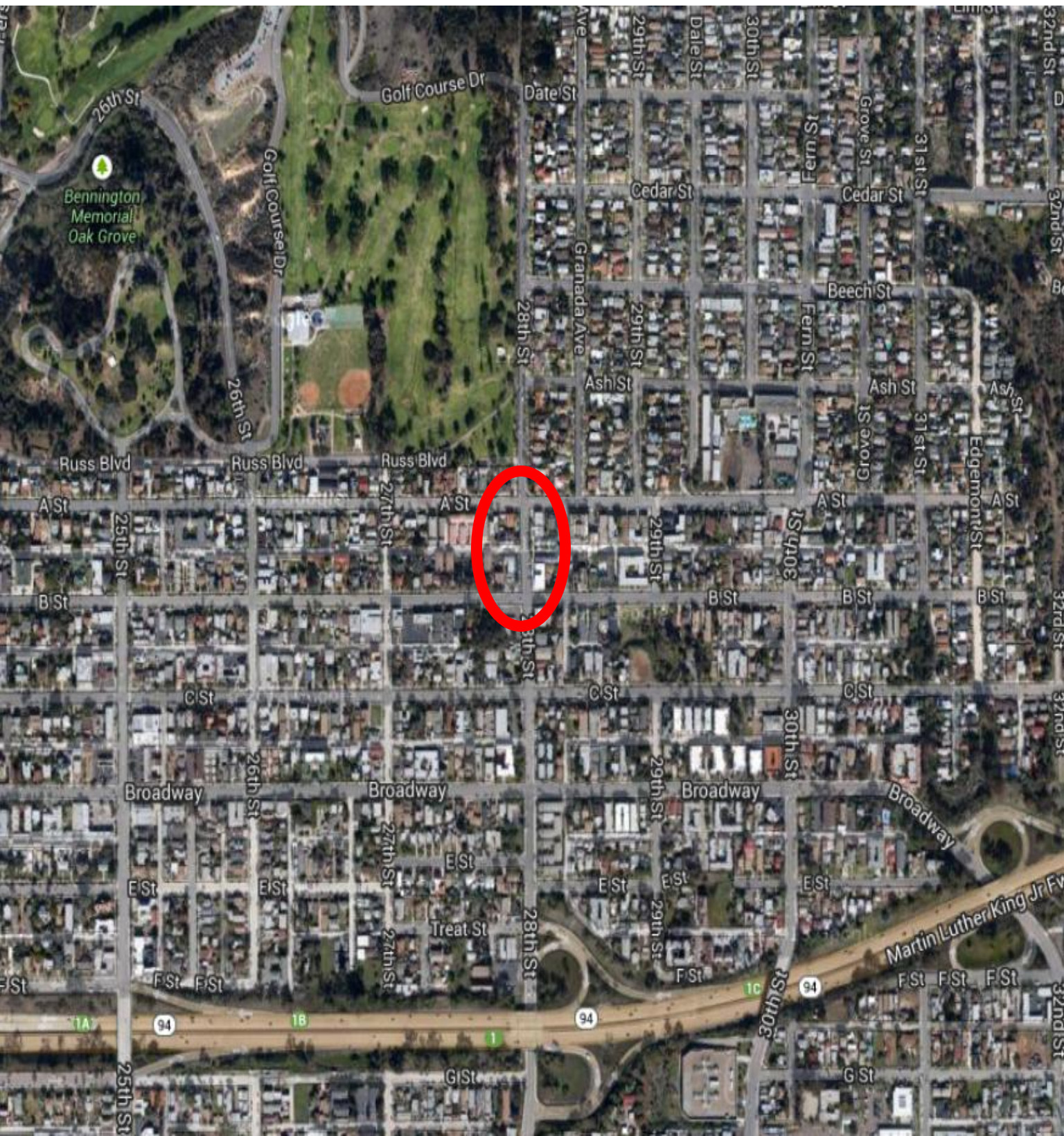
28th Street Head In Parking Conversion Project

Location: 28th Street (Between A Street – B Street)

Greater Golden Hill Community

Council District 3

Total Gain By Conversion: 7 spaces





THE CITY OF SAN DIEGO

March 28, 2014

Council President Gloria
Council District 3
City Administration Building
202 C Street, MS #10A
San Diego, CA 92101

RE: **DECOBIKE SAN DIEGO** Bike Sharing & Rental Program

Dear Council President Gloria:

The Transportation Engineering and Operations Division is working with the City of San Diego's corporate partner **DECOBIKE** to bring a new bike sharing program to neighborhoods across the City. The program is scheduled to begin this summer and your district is one of the first to be selected for bike sharing stations.

Attached is information about the proposed stations to be placed within your district and the overall program.

Similar letters are being sent to property owners and businesses within your district that are scheduled to have a bike station installed immediately in front of or adjacent to their property. Installation of each station will take less than one day and crews will do all they can to minimize impacts during the installation process.

Each station will provide bicycles for shared public use at low cost. Other stations will be conveniently located around town allowing riders to check out and return bicycles as needed. The goal is to connect bicyclists to local businesses, nearby attractions and public transportation. Our hope is that the program will reduce parking and traffic congestion while also improving community health.

As more and more travelers choose bikes for transportation, we are excited to be working with community members and other agencies to improve access to this low-cost healthy transportation option.

I am available to answer any questions you may have about the program and station installation. You can reach me by phone at (619) 533-3045 or via email at tlandre@sandiego.gov. For more information about the Bicycle Program please visit: <http://www.sandiego.gov/tsw/programs/bicycle.shtml>.

Sincerely,

Thomas Landre
Bicycle Programs Coordinator

Attachments: Letter from Mayor Faulconer
Frequently Asked Questions (FAQ's)
Illustrations of a typical bike sharing station & dimensions
Map of proposed bike stations within your district
Photos of the area proposed for each station



Transportation & Storm Water Department

9370 Chesapeake Drive, Suite 100, MS 1900 • San Diego, CA 92123

Hotline (619) 235-1000 Fax (858) 541-4350





KEVIN L. FAULCONER

MAYOR

March 28, 2014

The San Diego Bike Share Program will launch this summer helping to expand the City of San Diego's growing opportunities for healthy living and alternative transportation. Working with our partner DecoBike, we will unveil a system of stations linking downtown, the beach areas and other neighborhoods near bus and trolley systems with new bicycle friendly routes to shopping, entertainment and other attractions.

I am excited about the new program and our partnership with the San Diego County Bicycle Coalition, MOVE San Diego, the Community Planners Committee along with our colleagues at SANDAG, the Port of San Diego and the many business and residential groups ready to welcome DecoBike to San Diego.

Through our corporate partnership, DecoBike will install, manage and maintain the self-service bike sharing system in San Diego. The program will roll out in phases with new stations added as the program gains momentum and success. The City's transportation engineering team and community outreach specialists are working with DecoBike to develop the best network of stations for the first phase. Additional information about the proposed network is attached.

Bike sharing is intended to expand transportation options for residents and visitors alike. The new program will strengthen San Diego's economy and improve the environment by bringing new customers to local businesses while also reducing traffic, emissions and demand for parking.

Please join me in supporting this important new opportunity.

Sincerely,

Kevin L. Faulconer
Mayor

KLF: cc

Attachment: Station Description





DecoBike San Diego - Bikes sharing Program

Frequently Asked Questions (FAQs)

What is Bike Sharing?

A bicycle sharing program, also known as a “bikeshare” program, is a service in which bicycles are made available for shared use to individuals on an automated, short term basis. The central concept of these systems is to provide affordable access to bicycles for short-distance trips in urban areas as an alternative to motorized public transportation or private automobiles, with a goal of reducing parking and traffic congestion, as well as air pollution. Bike sharing is a solution for connecting the first or last mile between public transit hubs. Bike share programs also address some of the primary disadvantages to bicycle ownership, including loss from theft or vandalism, lack of parking or storage, and maintenance.

How does bike sharing work?

Patrons may access program bicycles via a network of bike sharing stations around the city. Bicycles can be checked out from any station and returned to any other station (bikes don't have to be returned to the station where they were checked out). Access to bicycles is available with either a membership key fob or a credit/debit card.

How do I rent a bike?

Patrons may approach any station stocked with bicycles and select the bike number of their choosing. Then, a patron would either use a membership card or a credit card to check out a bike by entering the corresponding bicycle number (each bike has a unique identification number). Once selected, simply approach the bike dock and remove the bike when the LED light turns green, indicating the bike is unlocked. Enjoy!

When will DecoBike San Diego open?

The Program is expected to launch during the summer of 2014.

How many stations and bikes will DecoBike San Diego offer?

Our current goal is to provide 180 stations and 1,800 bikes within the City of San Diego.

How do the stations work?

Stations are solar-powered and automated. They will operate 24 hours a day, 7 days a week. They are modular in design and can be easily expanded to meet demand. Each station will have a map indicating station locations. You will also be able to find locations via the DecoBike website and mobile apps once the program is launched.

Do the DecoBikes fit everyone?

We use a standardized custom program bicycle. DecoBikes are comfortable, and have adjustable seats which will accommodate most riders with a height of 5 feet or more. We suggest trying one on for size prior to riding.

How long can I use a DecoBike?

For as long as you want, based on your choice of membership or casual use. Different membership and rentals options will be available, and we encourage you to check back prior to the program's launch for more details. At least two membership options will be offered: "Standard", with unlimited 30-minute check-outs, and "Deluxe", with unlimited 60-minute check-outs. Short term rentals will include 30-minute, 60-minute and 2-hour options.

How old do I need to be to use a DecoBike?

DecoBike is for riders ages 18 years and older.

Are helmets provided at the stations?

No. DecoBike does not provide helmets at stations. You may obtain a helmet from any bike shop or sporting goods store.

Do I need to wear a helmet?

DecoBike encourages all riders to wear a helmet. Utilizing a properly fitted helmet is the only way to help reduce the risk of severe head injury in the event of an accident. Users of DecoBikes ride at their own risk.

How do I take a bike out of a bike dock?

There will be two ways to access bikes at stations. Registered members will receive an RFID key fob and non-members may simply use a credit or debit card at the station.

How do I return a bike to a bike dock?

Simply pull the bike into the dock and the probe will lock in place.

How do I ensure that my bike is properly docked?

You will see an LED light up to confirm the bike is locked in place at the dock.

Can I take out more than one bike with my key or my credit card?

You can only check out one bike on a single membership key. You may check out up to three (3) bikes on a credit or debit card.

Can I lend my DecoBike membership key to other people?

No. You are not permitted to share or lend your membership with other people. Doing so creates financial liability for you in the event that the bike is not returned on time or if there is damage to the bike. Further, it is grounds for the cancellation of your membership.

Will DecoBike offer any types of discounted memberships?

DecoBike will, on a case by case basis, offer discounted memberships to non-profit, government and student groups.

What is the difference between a membership subscription and a rental?

A membership is generally recommended for ongoing access to or for regular commuting around the city. A membership will get the rider from station to station without additional usage fees. Members may check-out a bike from any station and return it to any station in the city. Members can access all bikes and stations in the city.

A rental is generally for one-time users of the program and can replace the need for a taxi or excessive walks on short trips. During the rental period the rider may check-out a bike from any station and return a bike to any station. Renters may access all bikes and stations in the city during the rental period.

Will there be additional usage fees if I do not return my DecoBike on-time?

Yes. Additional usage fees will apply to riders who do not return their DecoBike on-time.

What do I do if my DecoBike isn't working properly?

If you experience issues with your DecoBike, simply dock it at any station and report it at the dock or kiosk as "needing service". The bike will then be locked down until it is serviced. You may also call the DecoBike helpline.

What do I do if my DecoBike key fob has been lost or stolen?

Please contact the DecoBike helpline immediately or log into your account online at www.decobikesandiego.com to report the key as lost/stolen. You will be charged a replacement fee of \$10. Any additional usage fees, damage or bike replacement fees incurred by your key before you have reported it as stolen will be your responsibility.

What do I do if my DecoBike has been lost or stolen?

Immediately notify us by calling the DecoBike helpline. You will need to complete a DecoBike Theft Form within 24 hours. Additionally, you will be required to contact the police department at (619) 531-2000 or (858) 484-3154 and file a police report within 24 hours of the incident. DecoBike may charge your credit or debit card for the cost of recovering or replacing the DecoBike.

What do I do if I have been involved in a crash or accident of some kind on my DecoBike?

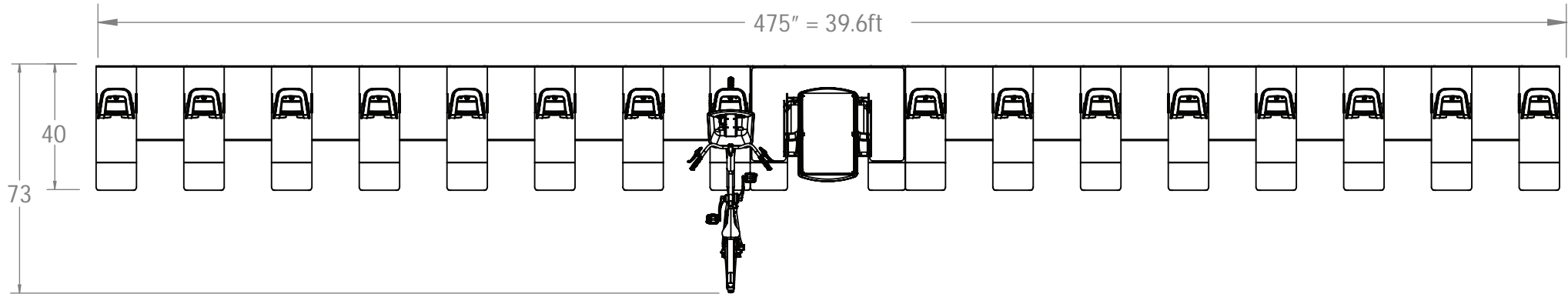
Immediately call the police and emergency services by dialing 911. Following that, you must notify DecoBike of the incident within 24 hours by calling the DecoBike helpline. You may be required to fill out a DecoBike Incident Form and provide a copy of your police report to DecoBike. It is important to note that the DecoBike remains your responsibility until it has been properly docked at a DecoBike station or turned into a DecoBike team member.

DECOBIKE SAN DIEGO

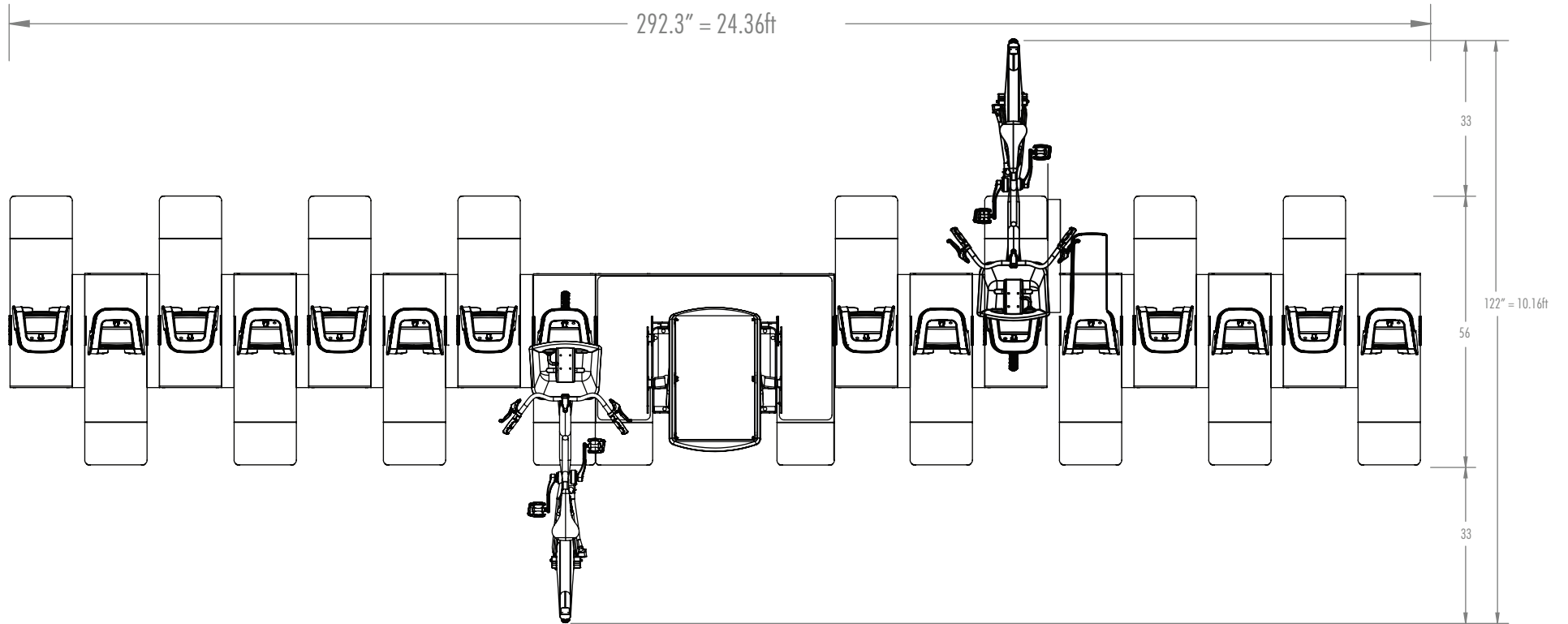
Bike Share Station Rendering



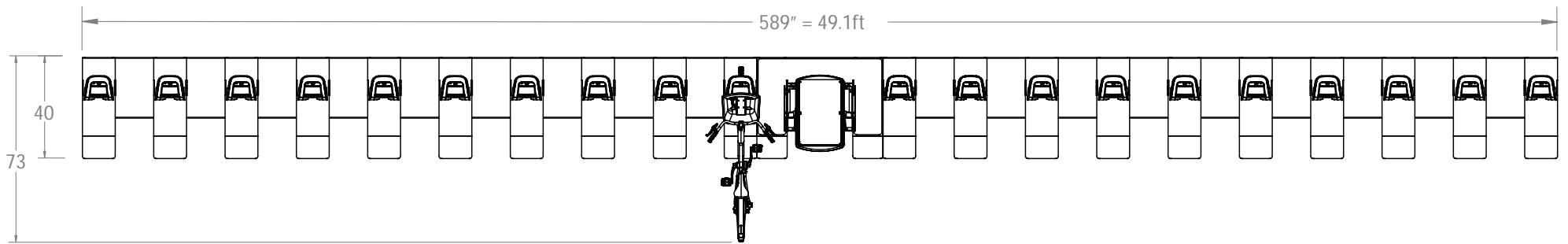
TYPICAL "16-BIKE SINGLE" STATION



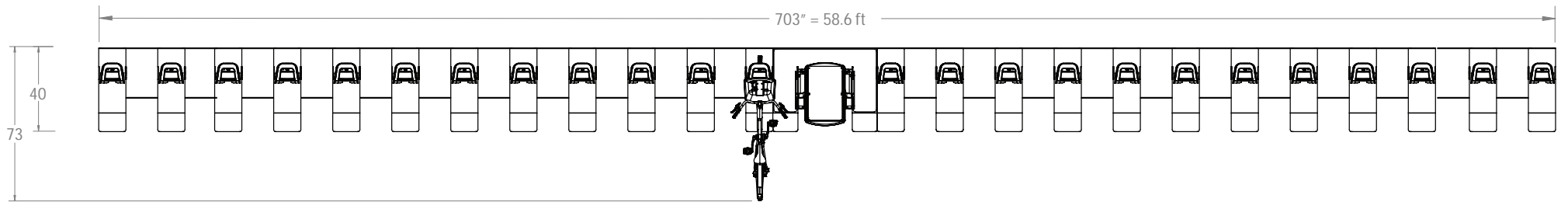
TYPICAL "16-BIKE DOUBLE" STATION



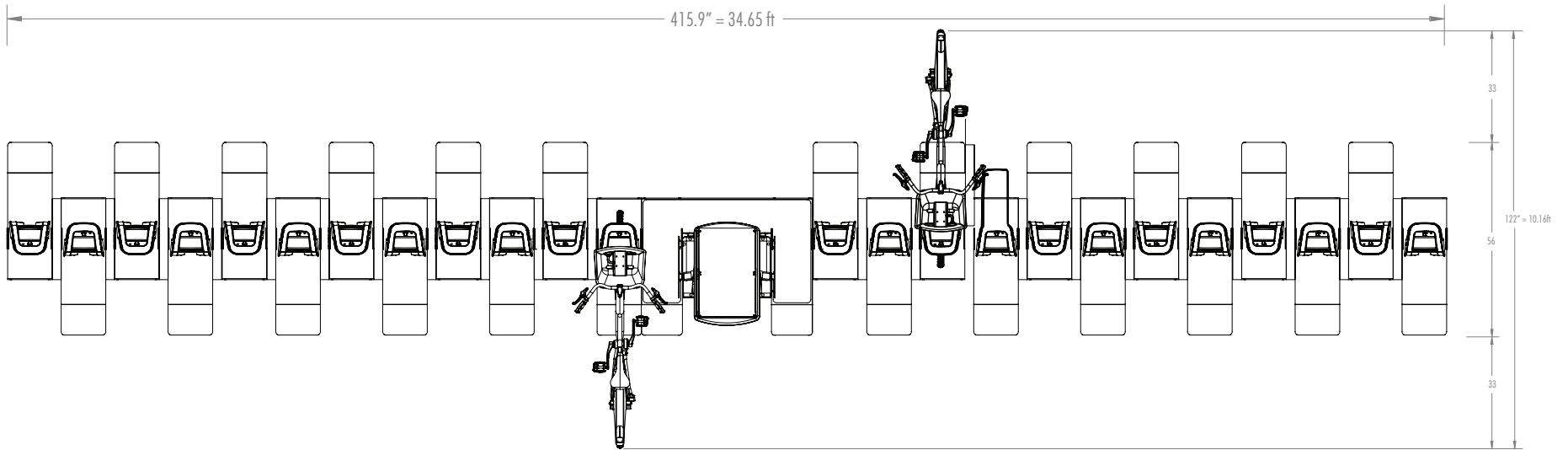
TYPICAL "20-BIKE SINGLE" STATION



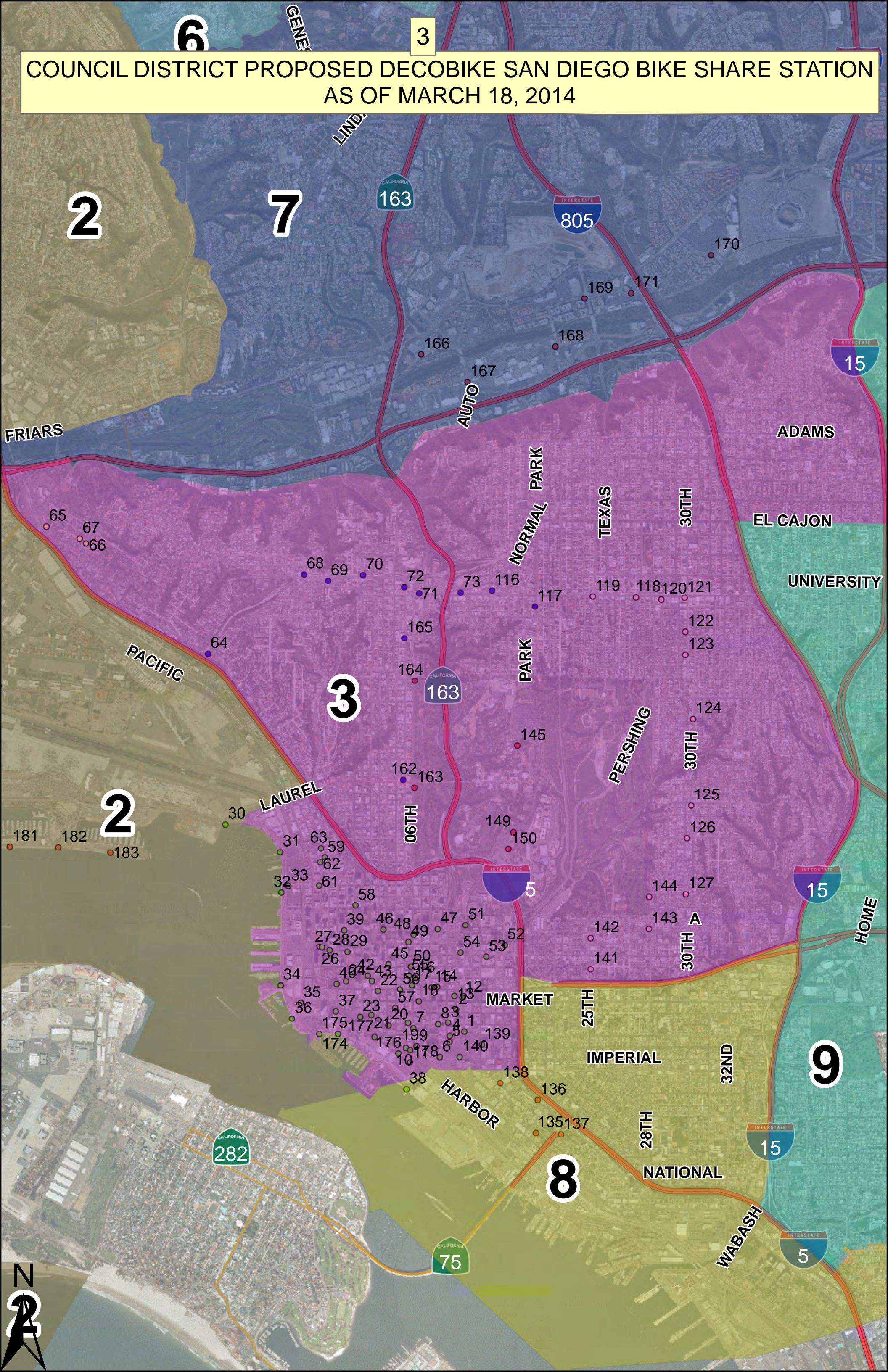
TYPICAL "24-BIKE SINGLE" STATION



TYPICAL "24-BIKE DOUBLE" STATION



COUNCIL DISTRICT PROPOSED DECOBIKE SAN DIEGO BIKE SHARE STATION AS OF MARCH 18, 2014





THE CITY OF SAN DIEGO

March 28, 2014

Council President Gloria
Council District 3
City Administration Building
202 C Street, MS #10A
San Diego, CA 92101

RE: **DECOBIKE SAN DIEGO** Bike Sharing & Rental Program

Dear Council President Gloria:

The Transportation Engineering and Operations Division is working with the City of San Diego's corporate partner **DECOBIKE** to bring a new bike sharing program to neighborhoods across the City. The program is scheduled to begin this summer and your district is one of the first to be selected for bike sharing stations.

Attached is information about the proposed stations to be placed within your district and the overall program.

Similar letters are being sent to property owners and businesses within your district that are scheduled to have a bike station installed immediately in front of or adjacent to their property. Installation of each station will take less than one day and crews will do all they can to minimize impacts during the installation process.

Each station will provide bicycles for shared public use at low cost. Other stations will be conveniently located around town allowing riders to check out and return bicycles as needed. The goal is to connect bicyclists to local businesses, nearby attractions and public transportation. Our hope is that the program will reduce parking and traffic congestion while also improving community health.

As more and more travelers choose bikes for transportation, we are excited to be working with community members and other agencies to improve access to this low-cost healthy transportation option.

I am available to answer any questions you may have about the program and station installation. You can reach me by phone at (619) 533-3045 or via email at tlandre@sandiego.gov. For more information about the Bicycle Program please visit: <http://www.sandiego.gov/tsw/programs/bicycle.shtml>.

Sincerely,

Thomas Landre
Bicycle Programs Coordinator

Attachments: Letter from Mayor Faulconer
Frequently Asked Questions (FAQ's)
Illustrations of a typical bike sharing station & dimensions
Map of proposed bike stations within your district
Photos of the area proposed for each station



Transportation & Storm Water Department

9370 Chesapeake Drive, Suite 100, MS 1900 • San Diego, CA 92123

Hotline (619) 235-1000 Fax (858) 541-4350





KEVIN L. FAULCONER

MAYOR

March 28, 2014

The San Diego Bike Share Program will launch this summer helping to expand the City of San Diego's growing opportunities for healthy living and alternative transportation. Working with our partner DecoBike, we will unveil a system of stations linking downtown, the beach areas and other neighborhoods near bus and trolley systems with new bicycle friendly routes to shopping, entertainment and other attractions.

I am excited about the new program and our partnership with the San Diego County Bicycle Coalition, MOVE San Diego, the Community Planners Committee along with our colleagues at SANDAG, the Port of San Diego and the many business and residential groups ready to welcome DecoBike to San Diego.

Through our corporate partnership, DecoBike will install, manage and maintain the self-service bike sharing system in San Diego. The program will roll out in phases with new stations added as the program gains momentum and success. The City's transportation engineering team and community outreach specialists are working with DecoBike to develop the best network of stations for the first phase. Additional information about the proposed network is attached.

Bike sharing is intended to expand transportation options for residents and visitors alike. The new program will strengthen San Diego's economy and improve the environment by bringing new customers to local businesses while also reducing traffic, emissions and demand for parking.

Please join me in supporting this important new opportunity.

Sincerely,

Kevin L. Faulconer
Mayor

KLF: cc

Attachment: Station Description





DecoBike San Diego - Bikes sharing Program

Frequently Asked Questions (FAQs)

What is Bike Sharing?

A bicycle sharing program, also known as a “bikeshare” program, is a service in which bicycles are made available for shared use to individuals on an automated, short term basis. The central concept of these systems is to provide affordable access to bicycles for short-distance trips in urban areas as an alternative to motorized public transportation or private automobiles, with a goal of reducing parking and traffic congestion, as well as air pollution. Bike sharing is a solution for connecting the first or last mile between public transit hubs. Bike share programs also address some of the primary disadvantages to bicycle ownership, including loss from theft or vandalism, lack of parking or storage, and maintenance.

How does bike sharing work?

Patrons may access program bicycles via a network of bike sharing stations around the city. Bicycles can be checked out from any station and returned to any other station (bikes don't have to be returned to the station where they were checked out). Access to bicycles is available with either a membership key fob or a credit/debit card.

How do I rent a bike?

Patrons may approach any station stocked with bicycles and select the bike number of their choosing. Then, a patron would either use a membership card or a credit card to check out a bike by entering the corresponding bicycle number (each bike has a unique identification number). Once selected, simply approach the bike dock and remove the bike when the LED light turns green, indicating the bike is unlocked. Enjoy!

When will DecoBike San Diego open?

The Program is expected to launch during the summer of 2014.

How many stations and bikes will DecoBike San Diego offer?

Our current goal is to provide 180 stations and 1,800 bikes within the City of San Diego.

How do the stations work?

Stations are solar-powered and automated. They will operate 24 hours a day, 7 days a week. They are modular in design and can be easily expanded to meet demand. Each station will have a map indicating station locations. You will also be able to find locations via the DecoBike website and mobile apps once the program is launched.

Do the DecoBikes fit everyone?

We use a standardized custom program bicycle. DecoBikes are comfortable, and have adjustable seats which will accommodate most riders with a height of 5 feet or more. We suggest trying one on for size prior to riding.

How long can I use a DecoBike?

For as long as you want, based on your choice of membership or casual use. Different membership and rentals options will be available, and we encourage you to check back prior to the program's launch for more details. At least two membership options will be offered: "Standard", with unlimited 30-minute check-outs, and "Deluxe", with unlimited 60-minute check-outs. Short term rentals will include 30-minute, 60-minute and 2-hour options.

How old do I need to be to use a DecoBike?

DecoBike is for riders ages 18 years and older.

Are helmets provided at the stations?

No. DecoBike does not provide helmets at stations. You may obtain a helmet from any bike shop or sporting goods store.

Do I need to wear a helmet?

DecoBike encourages all riders to wear a helmet. Utilizing a properly fitted helmet is the only way to help reduce the risk of severe head injury in the event of an accident. Users of DecoBikes ride at their own risk.

How do I take a bike out of a bike dock?

There will be two ways to access bikes at stations. Registered members will receive an RFID key fob and non-members may simply use a credit or debit card at the station.

How do I return a bike to a bike dock?

Simply pull the bike into the dock and the probe will lock in place.

How do I ensure that my bike is properly docked?

You will see an LED light up to confirm the bike is locked in place at the dock.

Can I take out more than one bike with my key or my credit card?

You can only check out one bike on a single membership key. You may check out up to three (3) bikes on a credit or debit card.

Can I lend my DecoBike membership key to other people?

No. You are not permitted to share or lend your membership with other people. Doing so creates financial liability for you in the event that the bike is not returned on time or if there is damage to the bike. Further, it is grounds for the cancellation of your membership.

Will DecoBike offer any types of discounted memberships?

DecoBike will, on a case by case basis, offer discounted memberships to non-profit, government and student groups.

What is the difference between a membership subscription and a rental?

A membership is generally recommended for ongoing access to or for regular commuting around the city. A membership will get the rider from station to station without additional usage fees. Members may check-out a bike from any station and return it to any station in the city. Members can access all bikes and stations in the city.

A rental is generally for one-time users of the program and can replace the need for a taxi or excessive walks on short trips. During the rental period the rider may check-out a bike from any station and return a bike to any station. Renters may access all bikes and stations in the city during the rental period.

Will there be additional usage fees if I do not return my DecoBike on-time?

Yes. Additional usage fees will apply to riders who do not return their DecoBike on-time.

What do I do if my DecoBike isn't working properly?

If you experience issues with your DecoBike, simply dock it at any station and report it at the dock or kiosk as "needing service". The bike will then be locked down until it is serviced. You may also call the DecoBike helpline.

What do I do if my DecoBike key fob has been lost or stolen?

Please contact the DecoBike helpline immediately or log into your account online at www.decobikesandiego.com to report the key as lost/stolen. You will be charged a replacement fee of \$10. Any additional usage fees, damage or bike replacement fees incurred by your key before you have reported it as stolen will be your responsibility.

What do I do if my DecoBike has been lost or stolen?

Immediately notify us by calling the DecoBike helpline. You will need to complete a DecoBike Theft Form within 24 hours. Additionally, you will be required to contact the police department at (619) 531-2000 or (858) 484-3154 and file a police report within 24 hours of the incident. DecoBike may charge your credit or debit card for the cost of recovering or replacing the DecoBike.

What do I do if I have been involved in a crash or accident of some kind on my DecoBike?

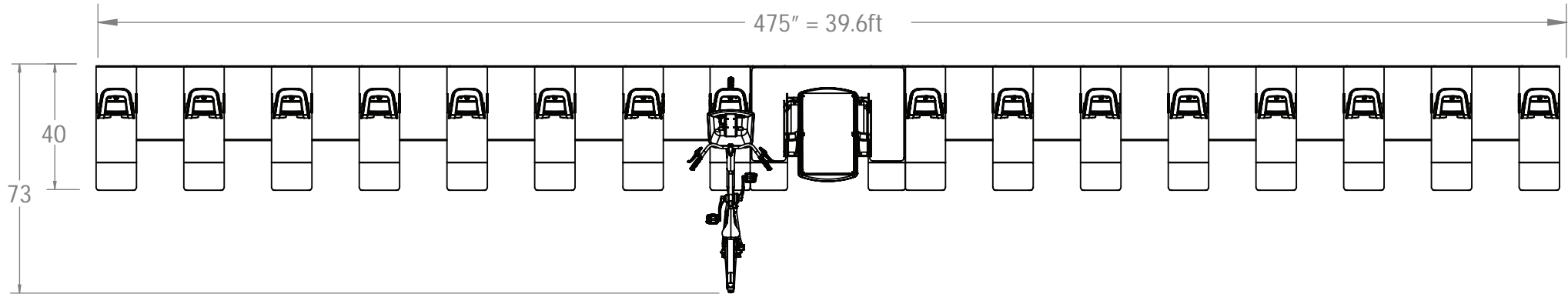
Immediately call the police and emergency services by dialing 911. Following that, you must notify DecoBike of the incident within 24 hours by calling the DecoBike helpline. You may be required to fill out a DecoBike Incident Form and provide a copy of your police report to DecoBike. It is important to note that the DecoBike remains your responsibility until it has been properly docked at a DecoBike station or turned into a DecoBike team member.

DECOBIKE SAN DIEGO

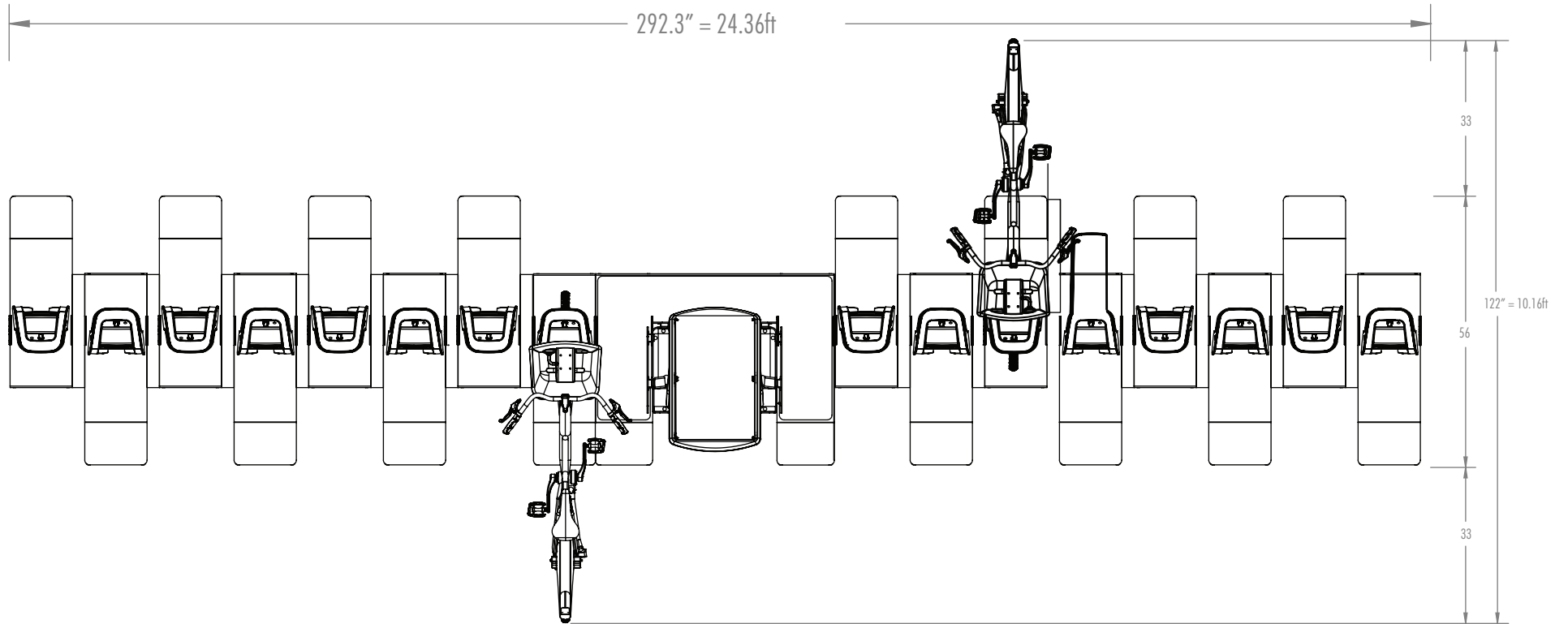
Bike Share Station Rendering



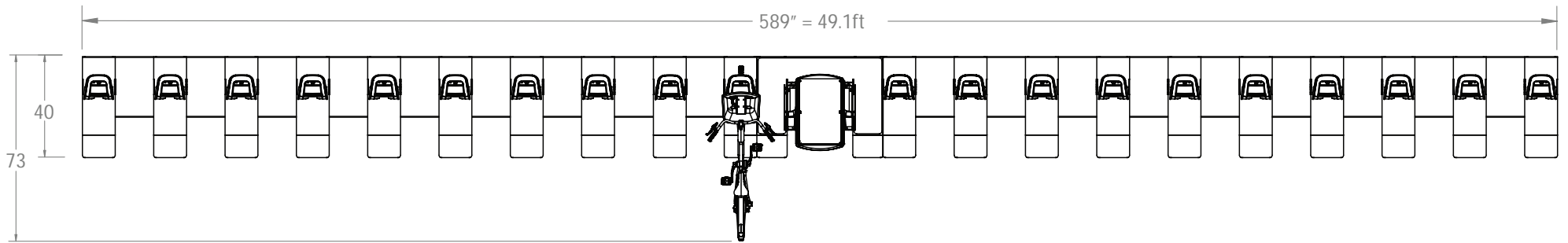
TYPICAL "16-BIKE SINGLE" STATION



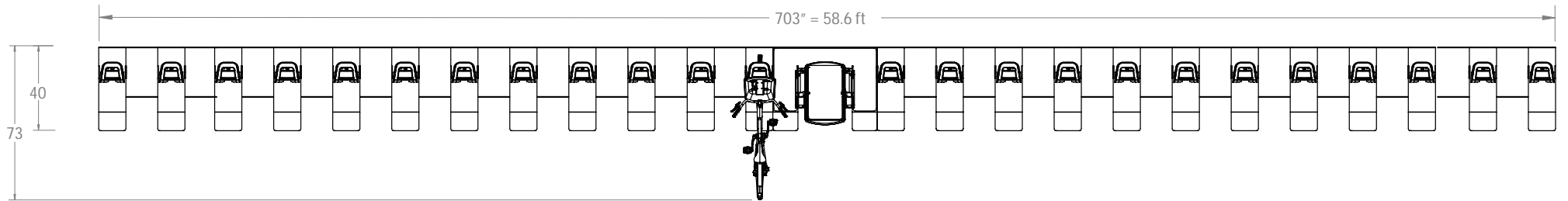
TYPICAL "16-BIKE DOUBLE" STATION



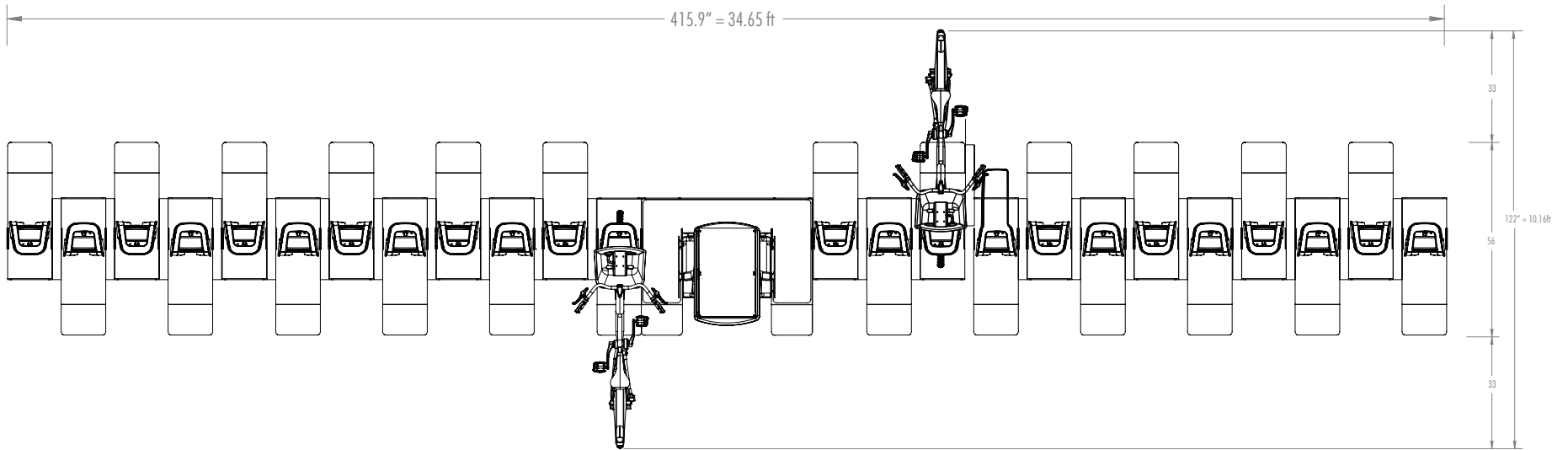
TYPICAL "20-BIKE SINGLE" STATION



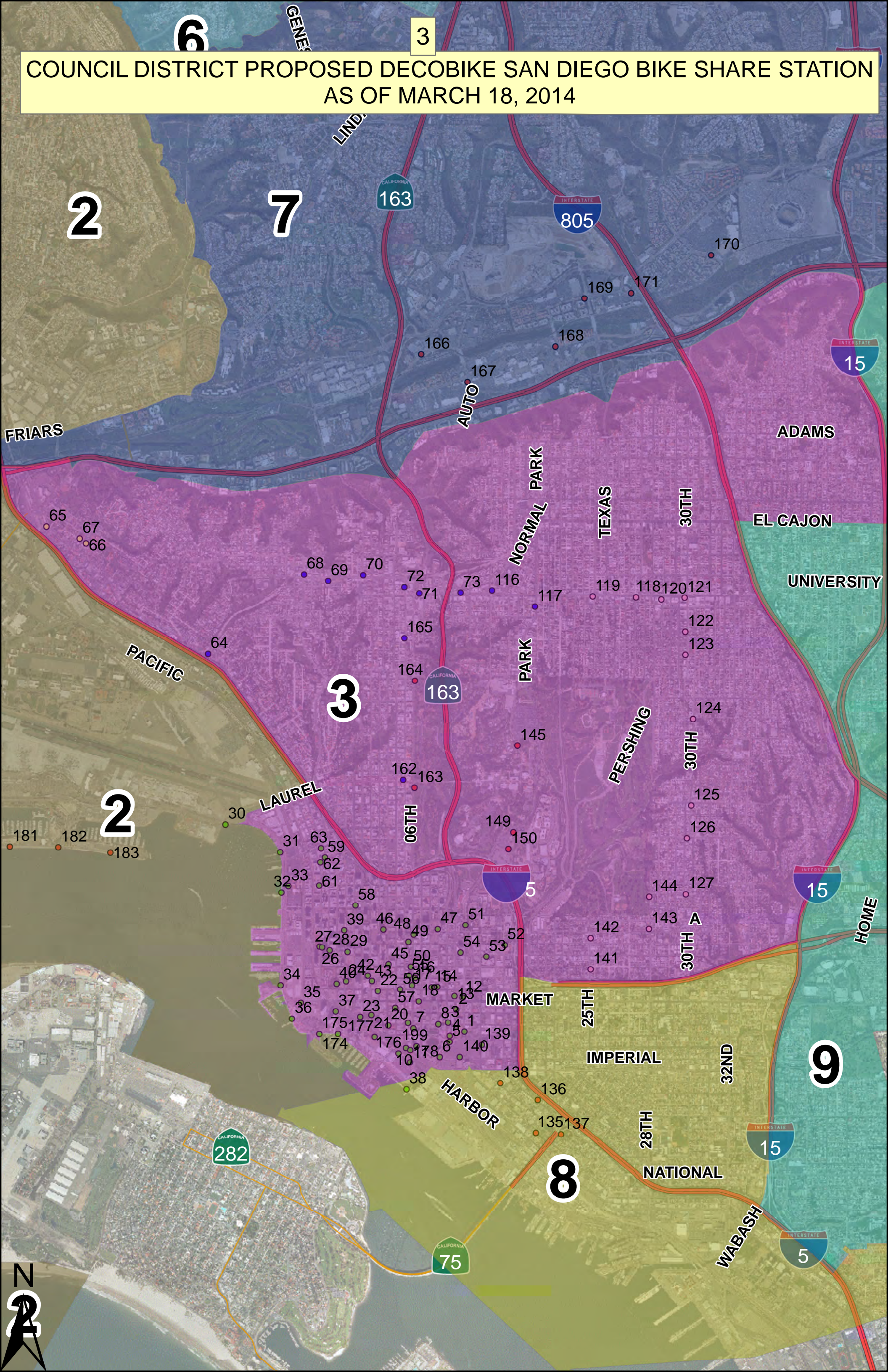
TYPICAL "24-BIKE SINGLE" STATION



TYPICAL "24-BIKE DOUBLE" STATION



COUNCIL DISTRICT PROPOSED DECOBIKE SAN DIEGO BIKE SHARE STATION AS OF MARCH 18, 2014



STATION LOCATION GUIDE

NUMBER: 125

CROSS STREET: Fern St & Juniper St

ADDRESS: 3015 Juniper St
San Diego, CA 92104

SITE OWNER: City of San Diego

STATION SIZE: 16-BIKE SINGLE (~6ft x 40 ft)

COORDINATES: 32.72942, -117.12952

DESCRIPTION: Two parking spaces along E side of Fern St (30th)
closest to Juniper St



STATION LOCATION GUIDE

NUMBER: 126

CROSS STREET: Grape St & Fern St

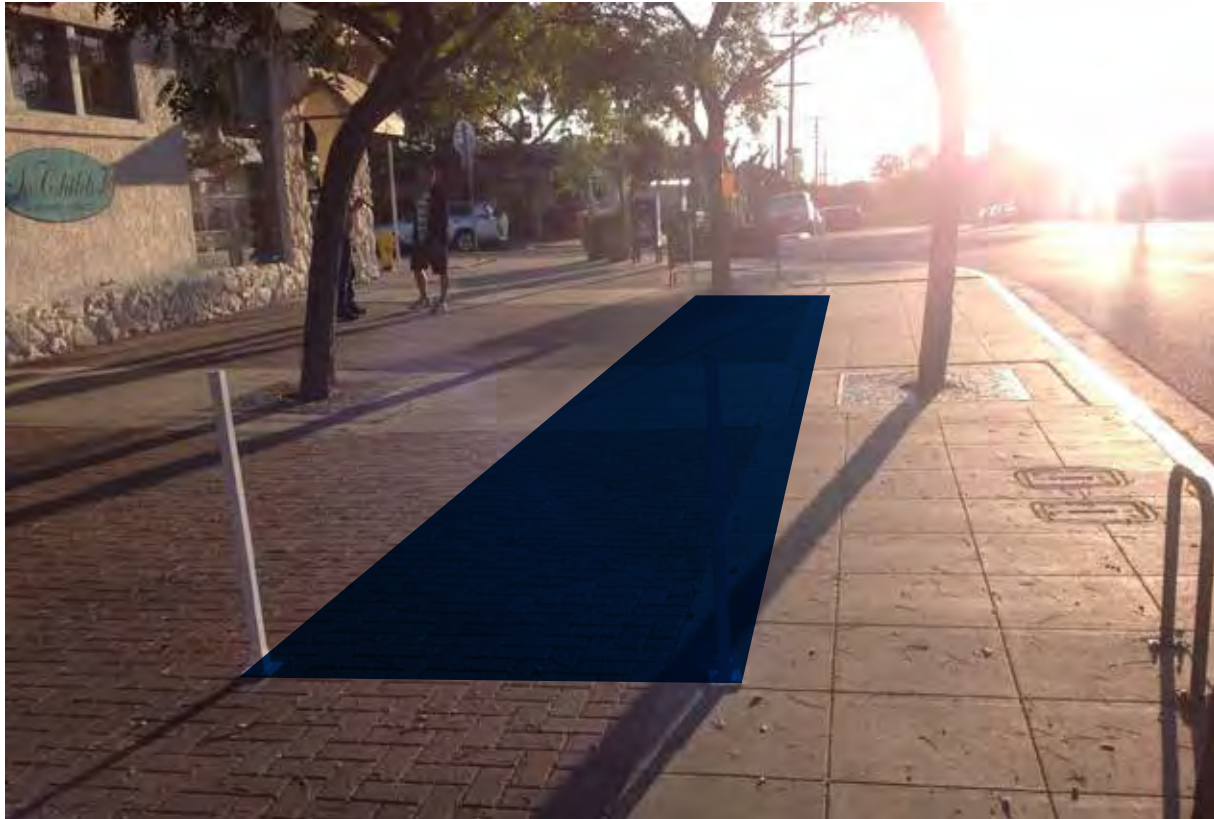
ADDRESS: 1947 30th Street
San Diego, CA 92102

SITE OWNER: City of San Diego

STATION SIZE: 16-BIKE SINGLE (~6ft x 40 ft)

COORDINATES: 32.72645, -117.12995

DESCRIPTION: On sidewalk, S side of Grape Street closest to Fern St, in plaza



STATION LOCATION GUIDE

NUMBER: 141

CROSS STREET: 25th Street & E Street

ADDRESS: 863 25th Street
San Diego, CA 92102

SITE OWNER: City of San Diego

STATION SIZE: 16-BIKE SINGLE (~6ft x 40 ft)

COORDINATES: 32.71446, -117.14017

DESCRIPTION: Two parking spaces on east side of 25th St



STATION LOCATION GUIDE

NUMBER: 142

CROSS STREET: 25th Street & C Street

ADDRESS: 1117 25th Street
San Diego, CA 92102

SITE OWNER: City of San Diego

STATION SIZE: 16-BIKE SINGLE (~6ft x 40 ft)

COORDINATES: 32.71730, -117.14019

DESCRIPTION: Two parking spaces on E side of 25th Street



STATION LOCATION GUIDE

NUMBER: 143

CROSS STREET: 28th St & B St

ADDRESS: 1202 28th Street
San Diego, CA 92102

SITE OWNER: City of San Diego

STATION SIZE: 24-BIKE SINGLE (~6ft x 59 ft)

COORDINATES: 32.71818, -117.13394

DESCRIPTION: Two parking spaces on W side of 28th Street



GOLDEN HILL

STATION LOCATION GUIDE

NUMBER: 144

CROSS STREET: 28th St & Beach St

ADDRESS: 1504 28th St
San Diego, CA 92102

SITE OWNER: City of San Diego

STATION SIZE: 16-BIKE SINGLE (~6ft x 40 ft)

COORDINATES: 32.72111, -117.13395

DESCRIPTION: Two parking spaces in red zone on W side of 28th St

