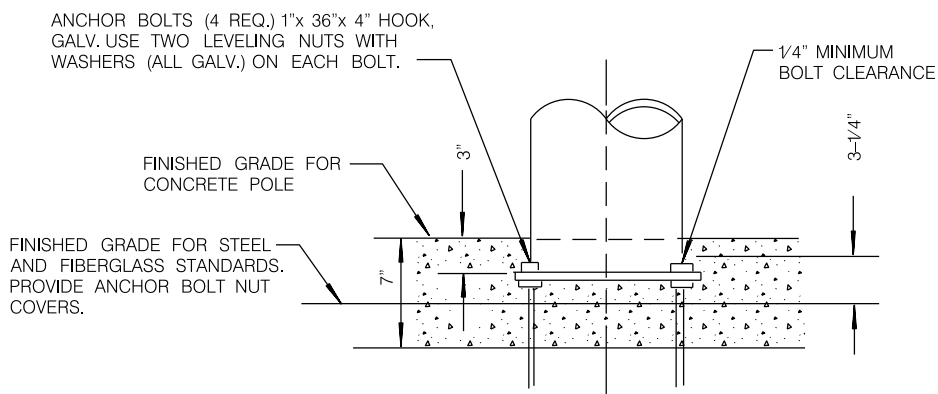


DIRECT BURIAL FOUNDATION

ANCHOR BASE FOUNDATION



REVISION	BY	APPROVED	DATE
ORIGINAL		J. CASEY	0683
UPDATED	KA	J. NAGELVOORT	01/12
UPDATED	KA	J. NAGELVOORT	03/26

CITY OF SAN DIEGO - STANDARD DRAWING

RECOMMENDED BY THE CITY OF SAN DIEGO STANDARDS COMMITTEE

Chung

56523 03/26/2014

COORDINATOR R.C.E. DATE

STREET LIGHTING STANDARD

DRAWING NUMBER

SDE-101