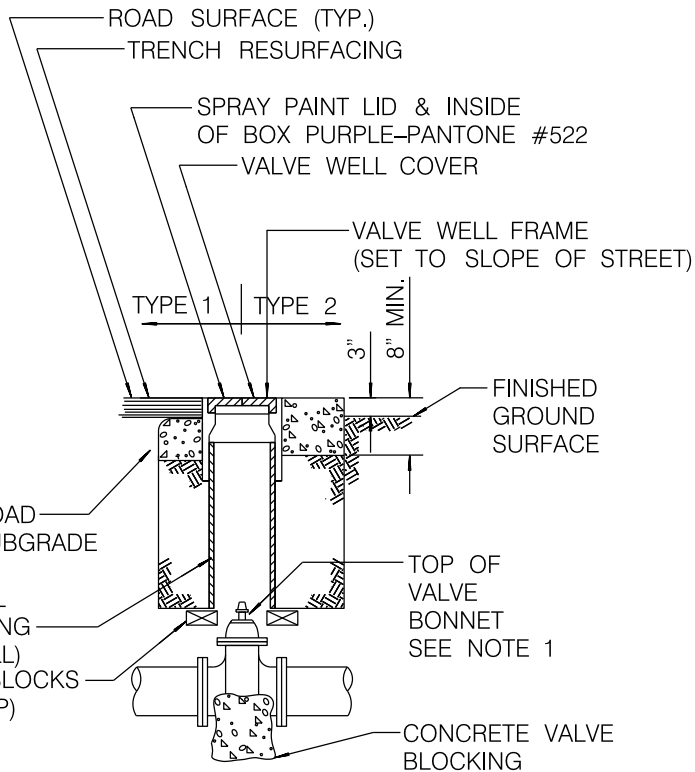
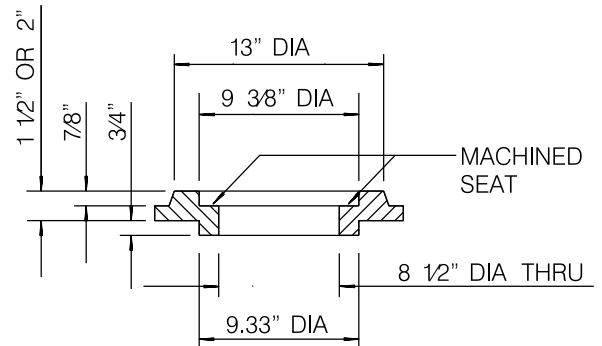


CAST IRON VALVE WELL FRAME



VALVE WELL & FRAME FOR NEW INSTALLATIONS



CAST IRON RISER RING FOR RETROFITTING AND OVERLAY PROJECTS

NOTES:

1. PROVIDE RECYCLED WATER VALVE KEY EXTENSION FOR ALL VALVES.
2. THE SURFACE OF THE VALVE WELL COVER SHALL MATCH THE STREET CROSS SLOPE AND PROFILE.
3. VALVE BOX AND COVER BASED ON SOUTH BAY FOUNDRY #1208N OR APPROVED EQUAL.
4. TYPE 1 INSTALLATION APPLIES TO VALVES WITHIN ROADWAYS.  
TYPE 2 INSTALLATION APPLIES TO VALVES OUTSIDE ROADWAYS.

REVISION	BY	APPROVED	DATE
ORIGINAL	KA	J. NAGELVOORT	01/12
ORIGINAL	KA	J. NAGELVOORT	08/13

CITY OF SAN DIEGO – STANDARD DRAWING

**RECYCLED WATER VALVE AND VALVE BOX (HEAVY DUTY)**

RECOMMENDED BY THE CITY OF SAN DIEGO STANDARDS COMMITTEE

*CA Bungee*

8/29/13

COORDINATOR R.C.E. 56523 DATE

DRAWING NUMBER

**SDRW-104**