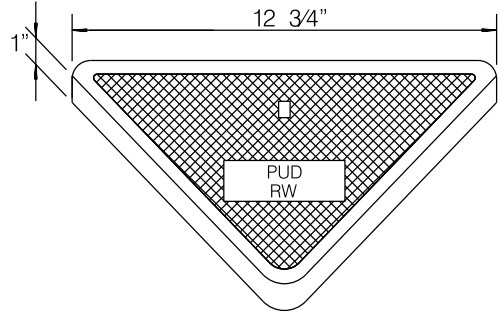
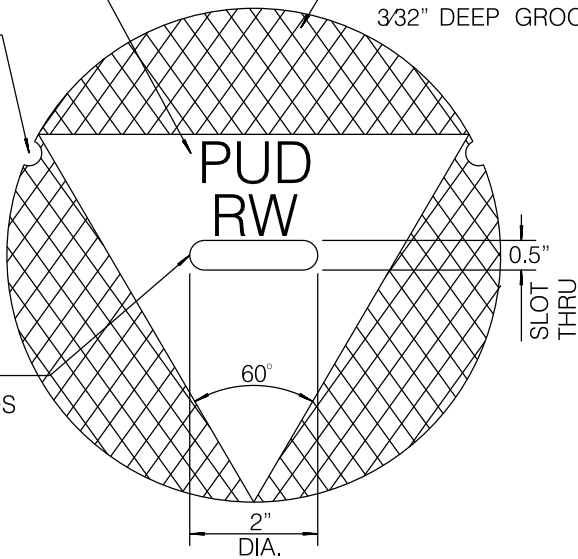


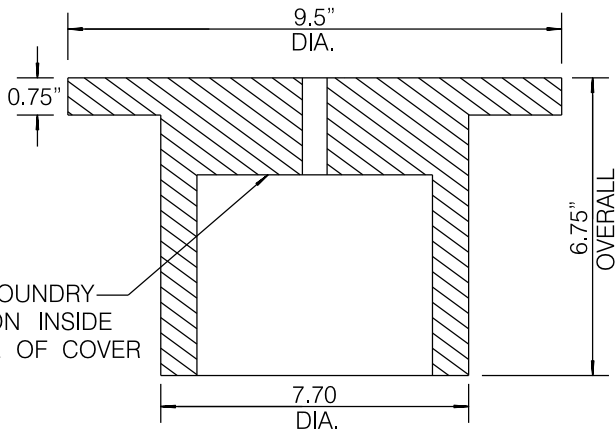
1" LETTERS (FLUSH W/HEIGHT OF GRID)

STANDARD DIAMOND PATTERN TREAD WITH 3/32" WIDE X 3/32" DEEP GROOVES

3/8" RADIUS (BOTH ENDS OF SLOT)

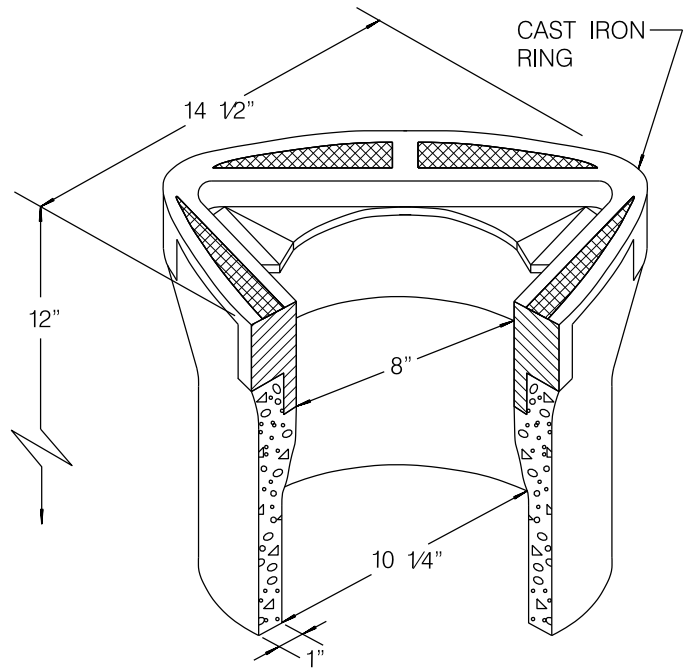


CAST IRON COVER
WEIGHT = 15 lb



CAST IRON VALVE WELL COVER
WEIGHT = 20 lb MIN

DETAIL 1



V4-T BOX
WEIGHT = 60 lb

DETAIL 2

NOTE

COVER SHALL BE COLORED PURPLE W/RED DOT

REVISION	BY	APPROVED	DATE
ORIGINAL	BB	J. NAGELVOORT	01/12
ORIGINAL	BB	J. NAGELVOORT	08/13

CITY OF SAN DIEGO - STANDARD DRAWING

RECOMMENDED BY THE CITY OF SAN DIEGO STANDARDS COMMITTEE

Chung

82913

COORDINATOR R.C.E. 56523 DATE

**RECYCLED WATER VALVE
WELL COVER**

DRAWING NUMBER **SDRW-105**