

MISSION BAY PARK SPECIAL EVENT NARRATIVE AND IMPACT

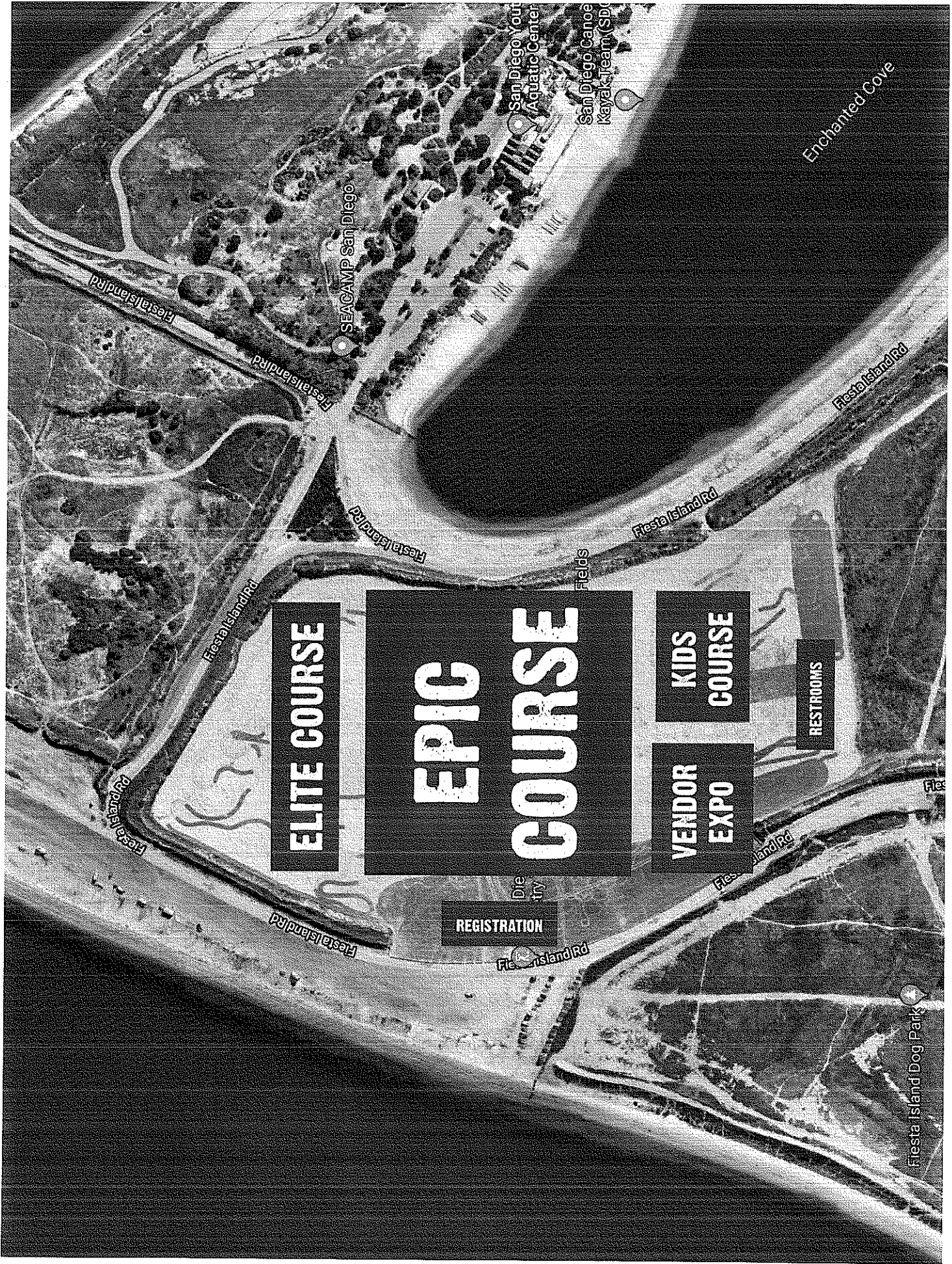
Presentation to Mission Bay Park Committee will be limited to 5 minutes

*Please attach a site map

- Name of Event **EPIC SERIES - BATTLE OF THE BADGES**
1. Type of Event: **OBSTACLE COURSE RACE**
 2. When, Day and Date: **SAT. SEPT. 8th**
 3. Dates: Load In: **FRIDAY SEPT 7th**
 4. Times?
Load in: **6am - 8pm**
Load in:
Event: **6am - 4pm**
Event:
Load out: **1pm - 10pm.**
 5. Location: Road Closure: **N/A**
 6. Parking Lot Closure: **N/A**
 7. Parking Plan: Shuttle Plan: **N/A**
 8. Traffic Plan: **N/A**
 9. Attendance:
 - Estimated Participants: ~~7~~ **600**
 - Estimated Spectatorship: **400**
 10. P.A. System: ~~Y~~ **N/A**
 11. Amplified Music:
 - Time frame: **0700 - 1500**
 12. Other Prolonged Noise Impacts:
 13. Day and Time of Sound Checks: **0630 09/08/18**
 14. Do you plan to apply for an Alcohol Permit: **NO**
 15. Do you plan on selling Alcohol: **NO**
 16. Do you plan on serving Alcohol: **NO**
 17. Time frame for Alcohol Sales/Service: **NO**
 18. Any Other Special Events of more than 500 people occurring concurrently: **NO**
 19. Other unique event features not covered above:

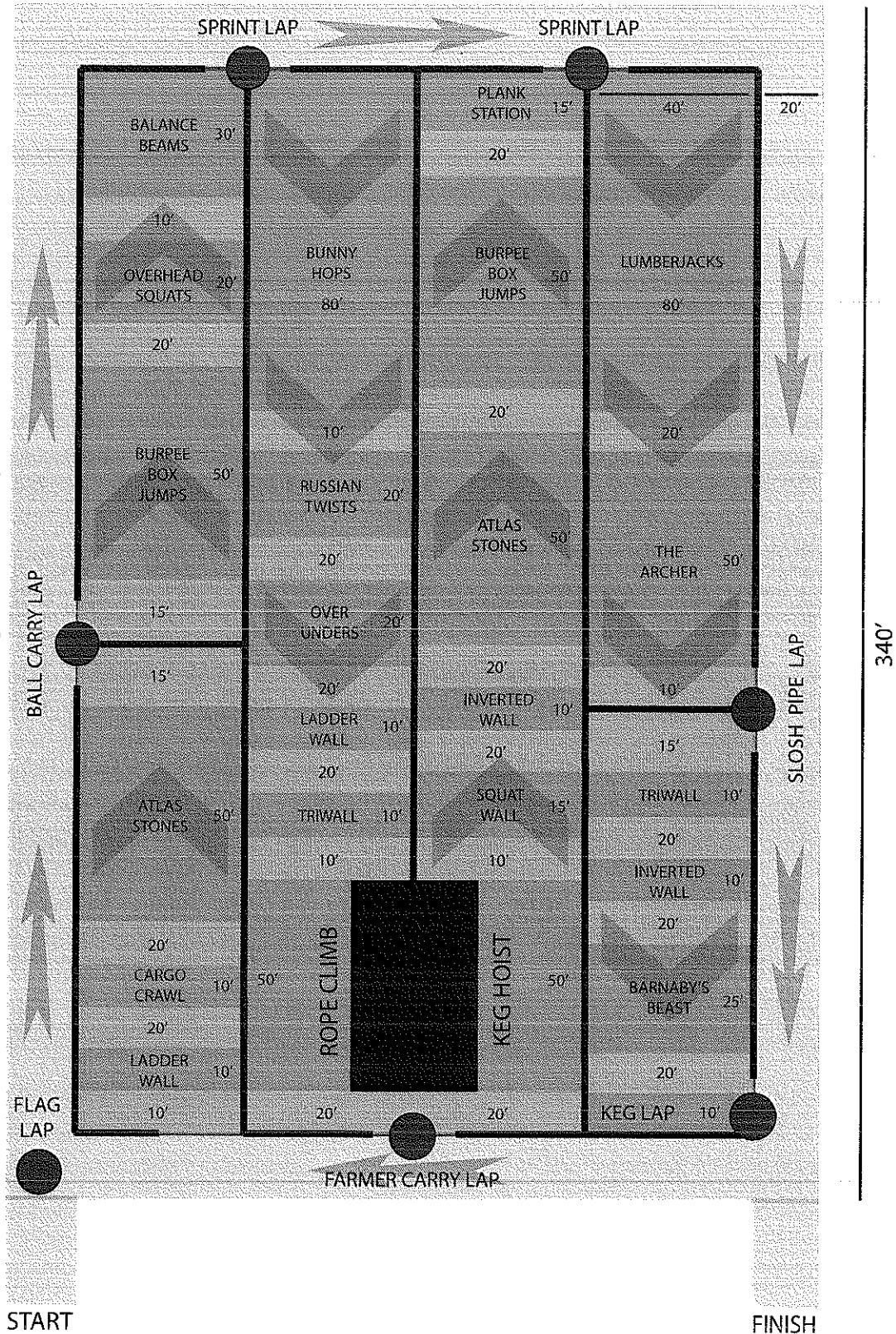
This event will also host a Police Dept. Chili
Cook off competition.

A % of Sales will be donated to
SOPD for charitable donations.



200'

- 1) FLAG LAP
- 2) LADDER WALL
- 3) CARGO CRAWL
- 4) ATLAS STONES
- 5) BALL CARRY LAP
- 6) BURPEE BOX JUMPS
- 7) OVERHEAD SQUATS
- 8) BALANCE BEAMS
- 9) SPRINT LAP
- 10) BUNNY HOPS
- 11) RUSSIAN TWISTS
- 12) OVER UNDERS
- 13) LADDER WALL
- 14) TRIWALL
- 15) ROPE CLIMB
- 16) FARMER CARRY LAP
- 17) KEG HOIST
- 18) SQUAT WALL
- 19) INVERTED WALL
- 20) ATLAS STONES
- 21) BURPEE BOX JUMPS
- 22) PLANK STATION
- 23) SPRINT LAP
- 24) LUMBERJACKS
- 25) THE ARCHER
- 26) SLOSH PIPE LAP
- 27) TRIWALL
- 28) INVERTED WALL
- 29) BARNABY'S BEAST
- 30) KEG LAP



RUNNING LANE = 20' all around
 OBSTACLE LANE = 40' x 300'

DIMENSIONS WITHOUT RUNNING LANE = 160' x 300'
 DIMENSIONS WITH RUNNING LANE = 200' x 340'



General Notes

Draining Notes

4x4 wood lanker
Plywood

Scale 1/2" = 1'-0" A-D
Scale 3/4" = 1'-0" C

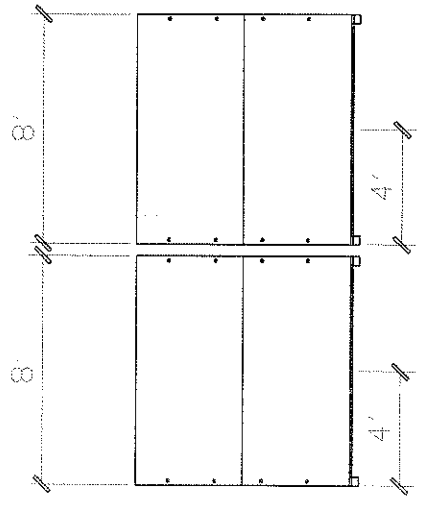
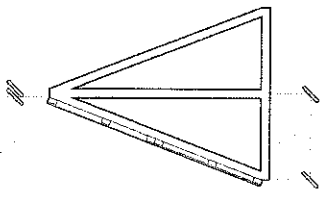
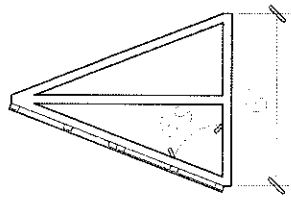
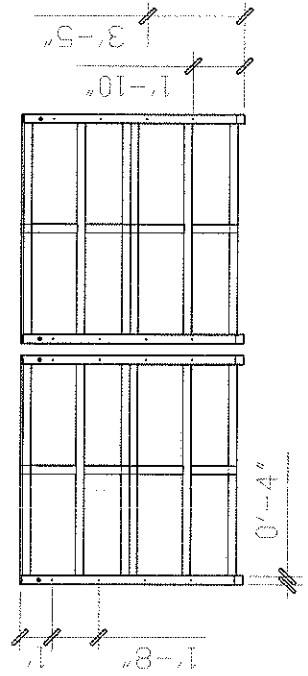
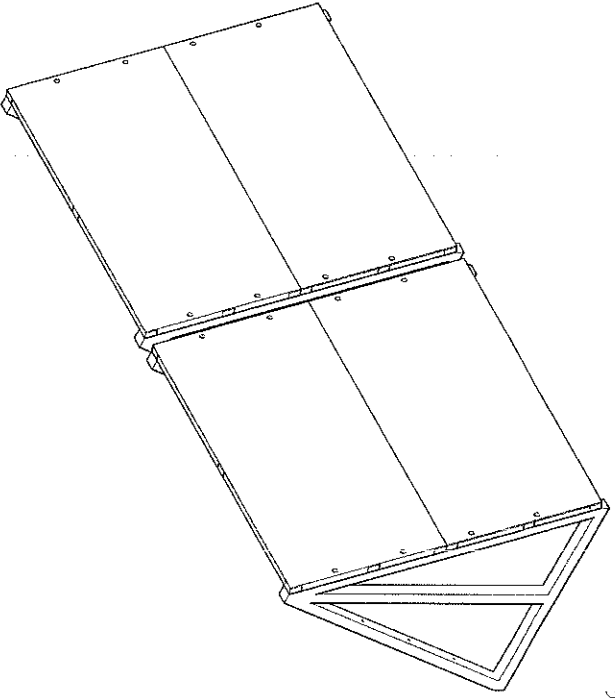
Drawn by: Librami Robinson

No.	Revision/Issue	Date

Client Name and Address
Epic Studios
1919 Central Ave
San Diego, CA 92109

Client Name and Address
Halter Wall

Project	
Date	11/7/2016
Scale	Refer to notes



A

B

C

D

E

General Notes

Drawing Notes
 Metal rack
 2/11/16
 (12) 15.5 Gallon
 (12) 1" Recess
 Circles, made by
 metal rack

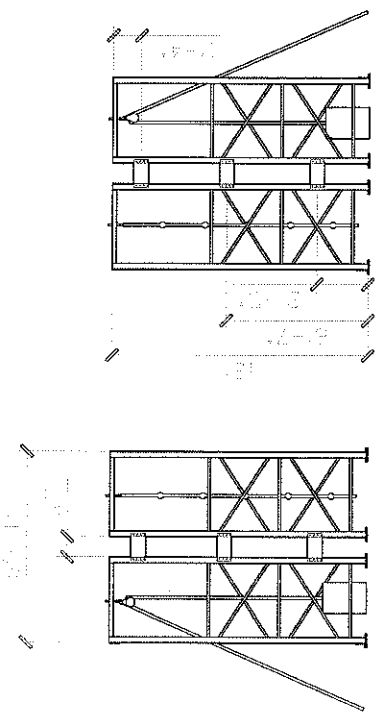
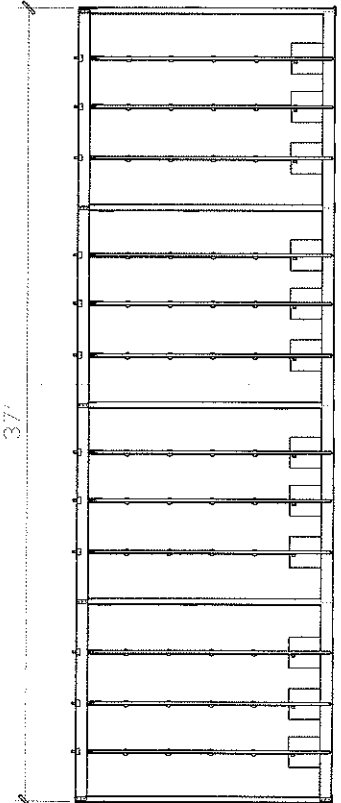
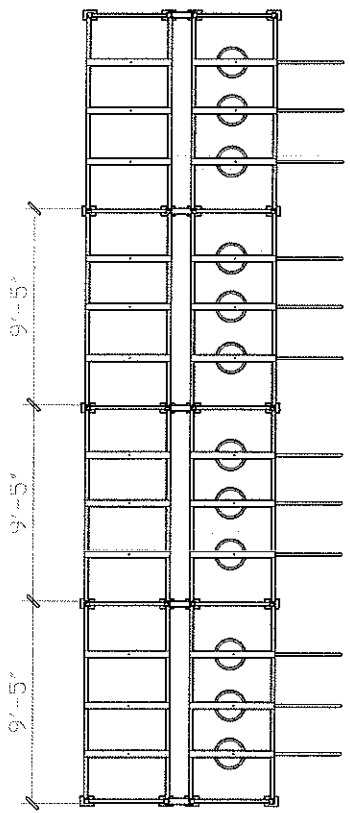
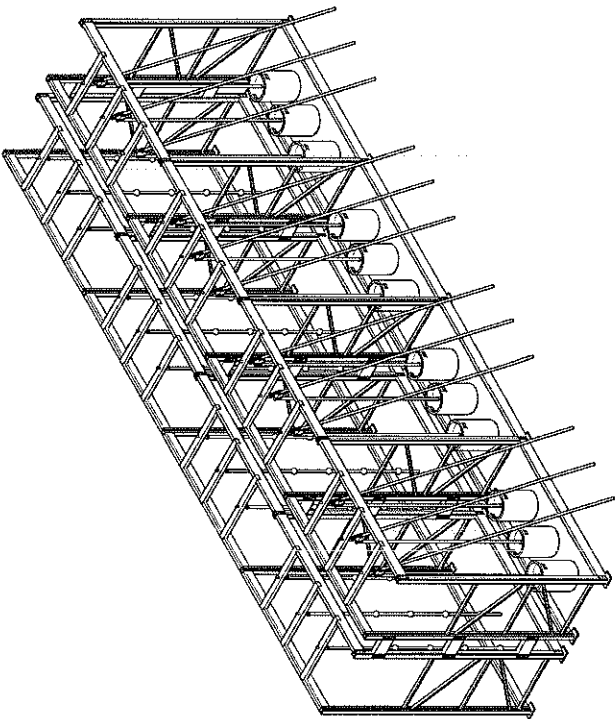
Drawn by: Jeremy Johnson

No.	Revisions/Notes	Date

Eric S. Coe
 1919 Grand Ave
 San Diego, CA 92109

Keep all joined with rope dials

Project	
Date	11/22/2016
Scale	1/8"=1'



General Notes

- Drawn in 1/2" = 1'
- Metal rack
- 15.5 gallon kegs
- 6 in. angle Lumber x with anchors
- Flange
- 1" Pipes
- Keeps in line to keep through keg handles

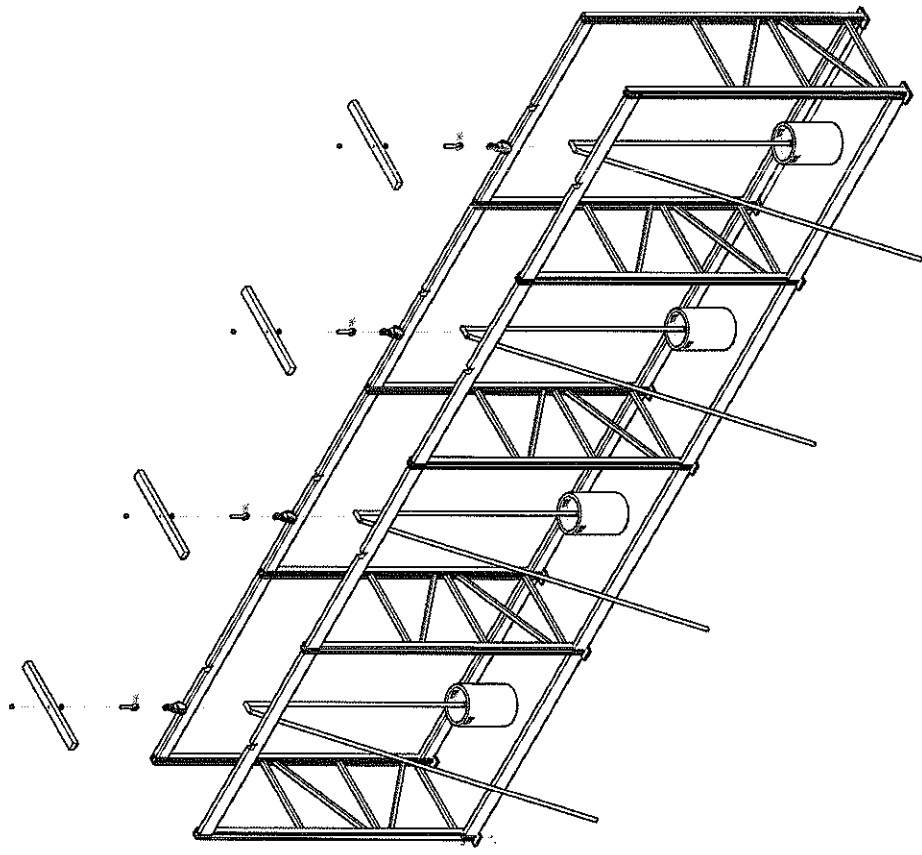
Drawn by: Jeremy Robinson

No.	Revisions/Issue	Date

Project Name and Address
Epic Surveys
1919 Grand Ave
San Diego, CA 92108

Project Name and Address
Karpall
Explosion/Accident

Project	Sheet
Date: 11/7/2016	5A
Scale: 1/2" = 1'	



General Notes
 Drawing Notes
 Metal rack
 Pallet
 15'2" Galvalume

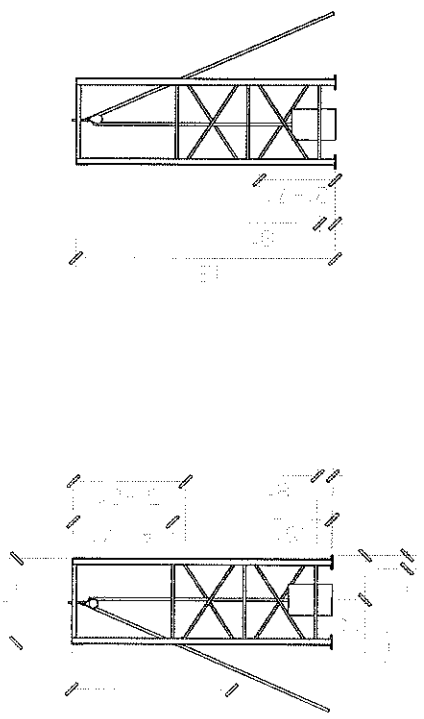
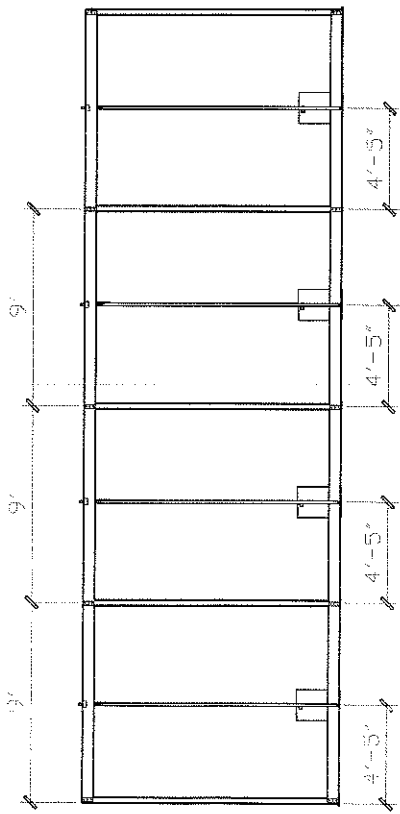
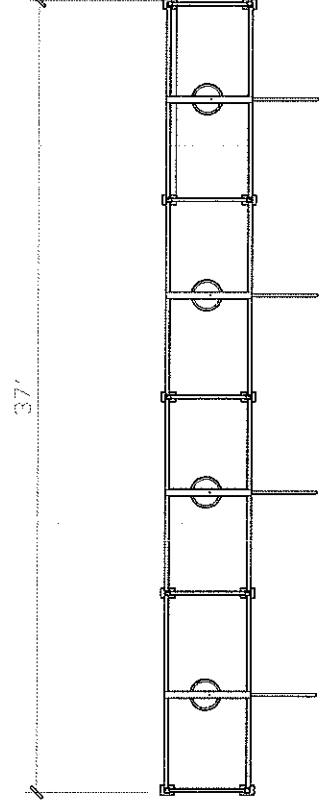
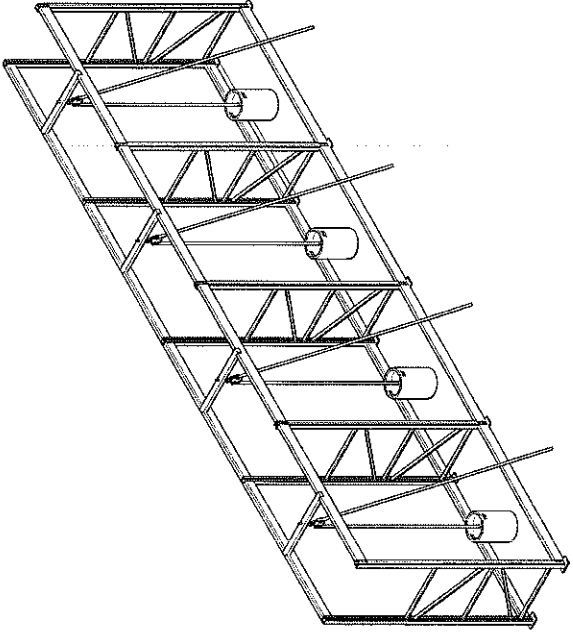
Drawn by: Jerrisa Robinson

No.	Revision/Issue	Date

File Name and Address
 Epic Systems
 1919 Geneva Ave
 San Diego, CA 92109

Project Name and Number
 Corral

Project	Sheet
Date: 11/17/2016	5
Scale: 3/8"=1'	



C

B

A

E

D

General Notes

Drawings Notes
 4x4 wood lumber
 2x4, 2x6, 2x8, 2x10
 All other screws are
 1/2" long

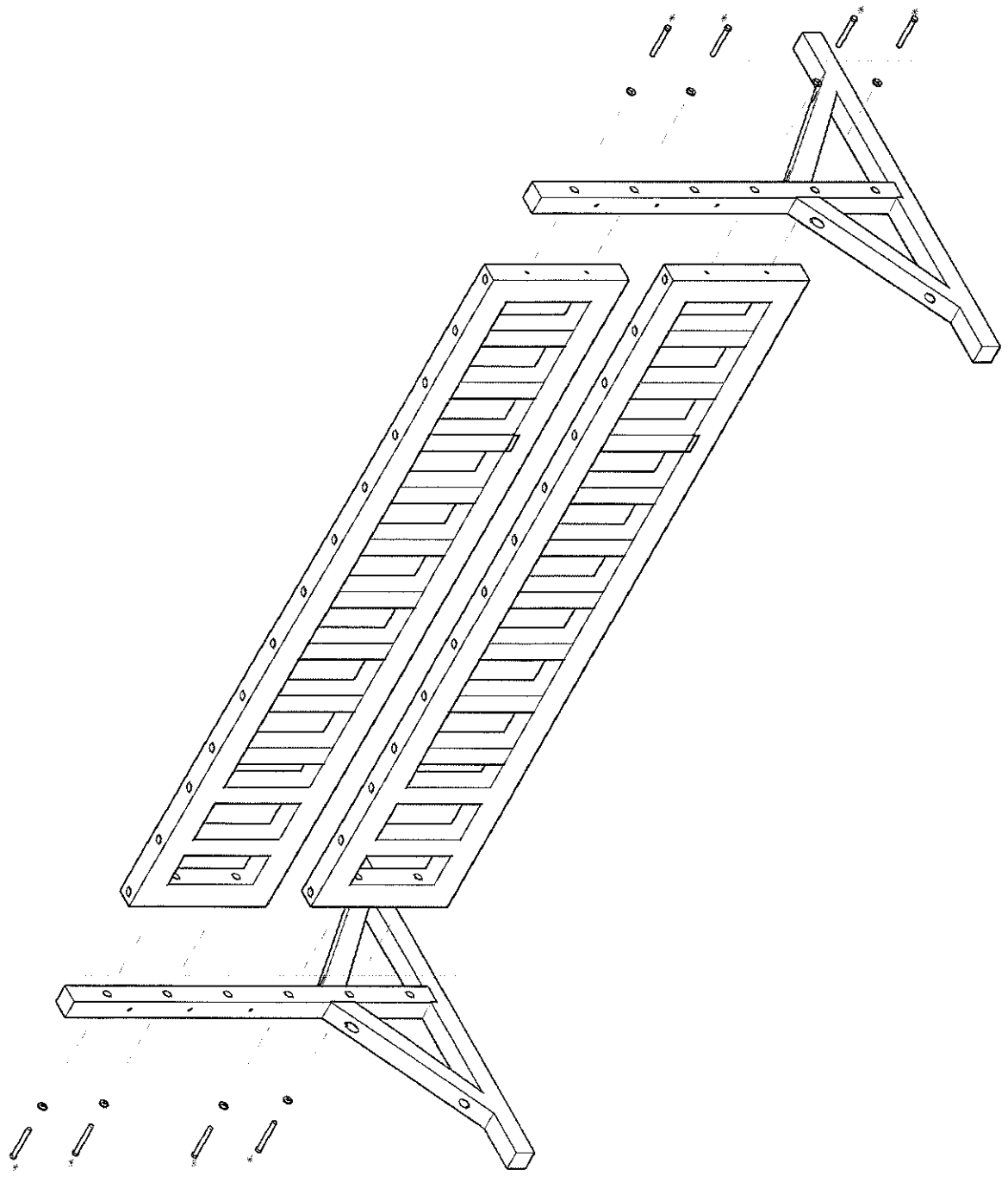
Drawn by: [Blank] / [Blank] / [Blank]

No.	Revision/Issue	Date

Project Name and Address
 Epic Series
 1919 Grand Ave
 San Diego, CA 92109

Project Name and Address
 Ladder rail
 Escalada Acoustic

Project	11/7/2016	2A
Date	11/7/2016	
Scale	1/2" = 1'	



General Notes
 Drawing Notes
 4x4 wood lumber

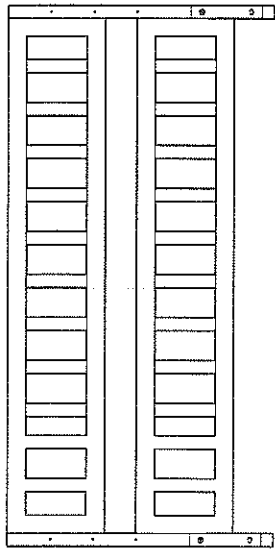
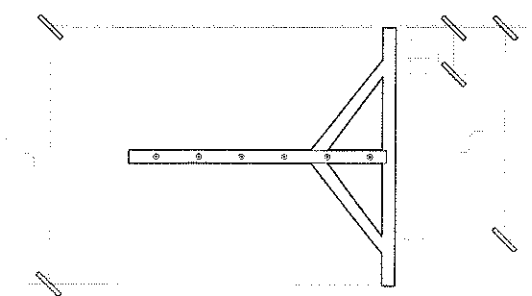
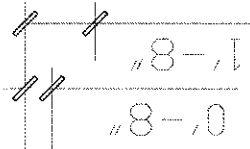
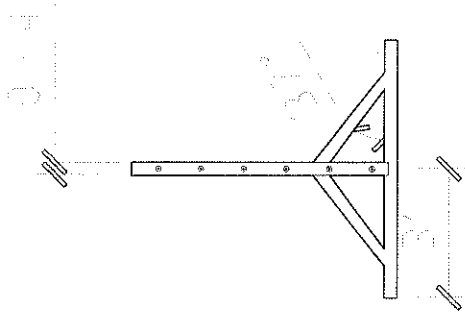
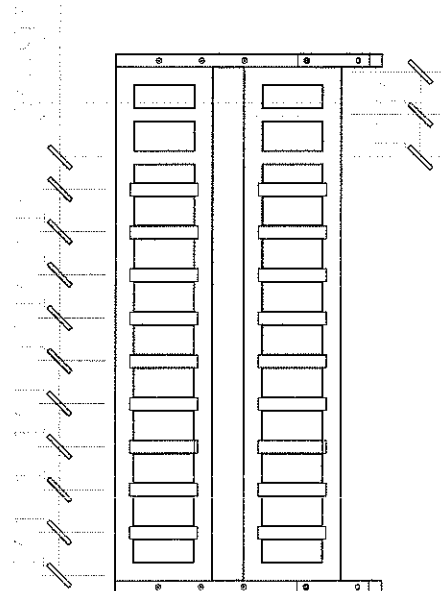
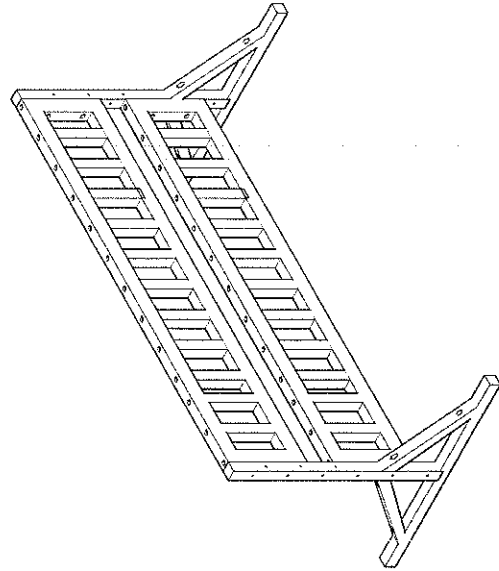
Drawn by: Jerome Kellner

No.	Quantity/Notes	Qty

Project Name and Address
 Epic Surfaces
 1818 Grand Ave
 San Diego, CA 92109

Project Name and Address
 Ladder well

Sheet	2
Date	11/1/2016
Scale	3/4"=1'



General Notes

- Drawn to size
- 4x4 wood lumber
- Pin, Bolt-screws *
- with washers
- All other screws are
- 5/8" Dia

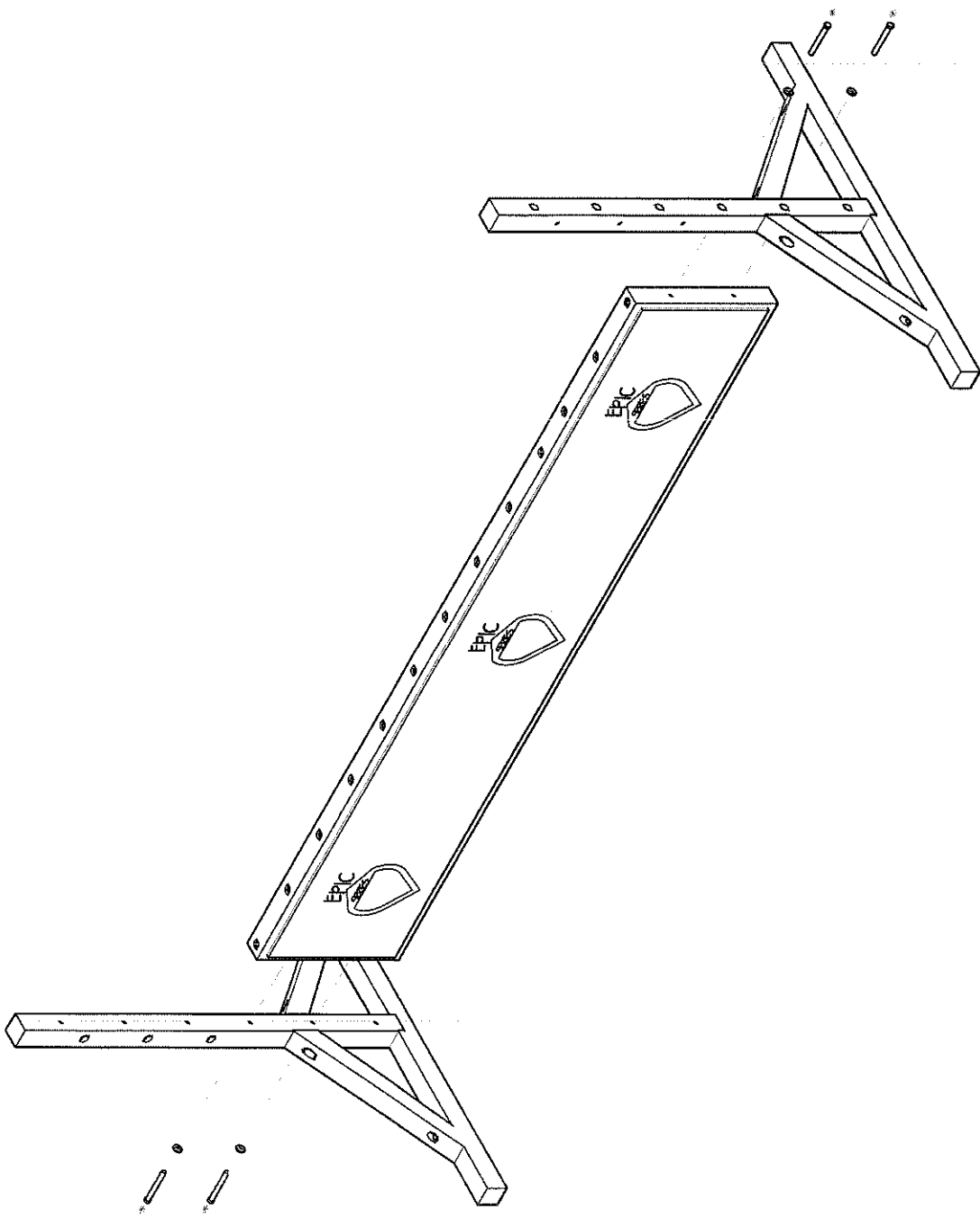
Drawn by: Jerome Robinson

No.	Revision/Issue	Date

File Name and Address
Epic Series
1919 Grand Ave
San Diego, CA 92109

Project Name and Address
Signal Peak
Explosion Acoustics

Project	Sheet
	1A
Date: 11/7/2016	
Scale: 1/2" = 1'	



General Notes:
 1. Frame Nicks
 2. 4x6 wood lumber

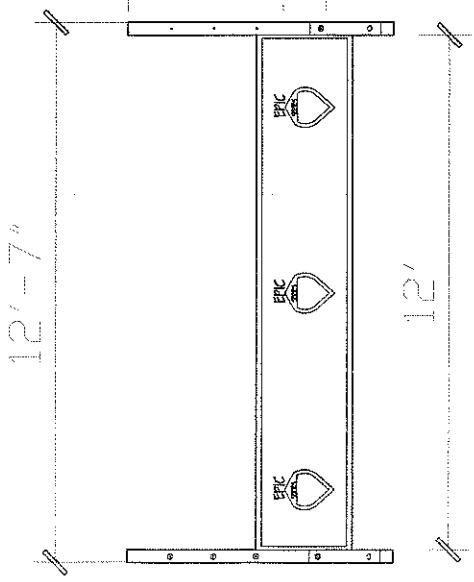
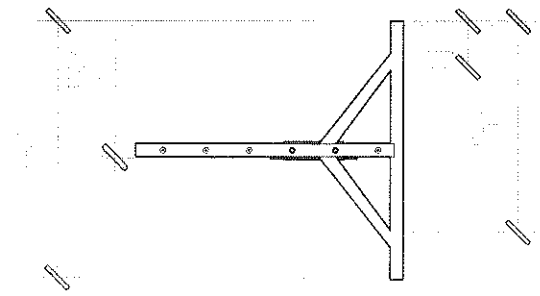
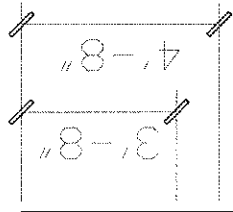
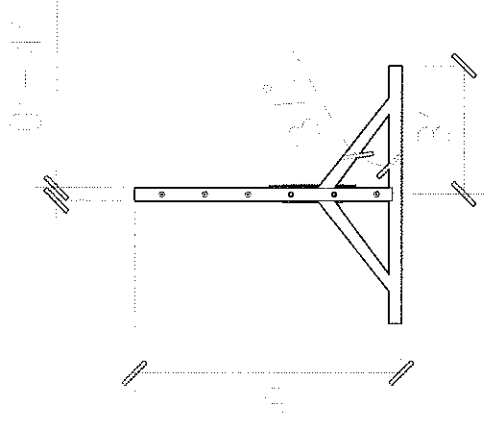
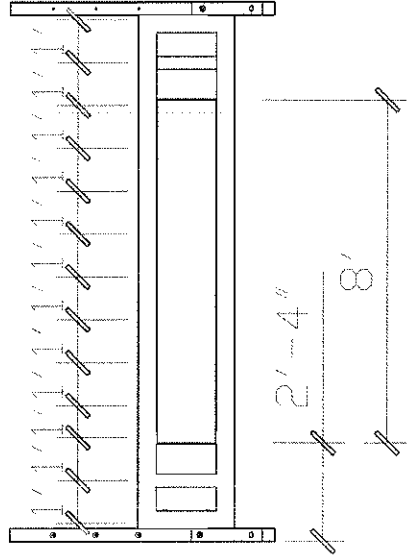
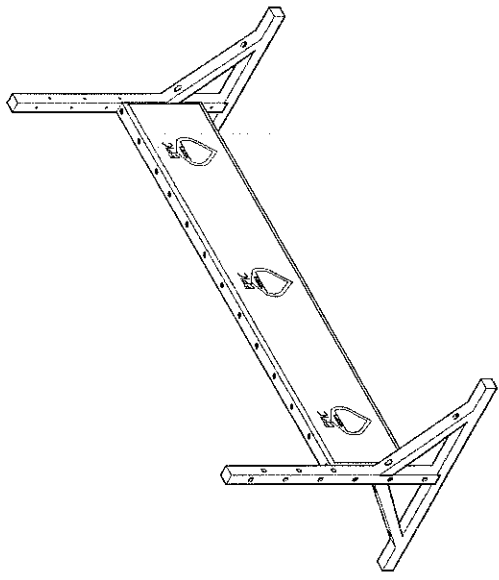
Drawn by: Lorenza Robinson

No.	Revisions/Issues	Date

Project Name and Address:
 Epic Sources
 1819 Grand Ave
 San Diego, CA 92109

Project Name and Address:
 Spirit Back

Sheet	1
Date	11/17/2016
Scale	3/4"=1'



General Notes

- 2x4x8x16
- 4x4 wood lumber
- Fluwood
- Do not use screws with washers
- All other screws are 3/16"

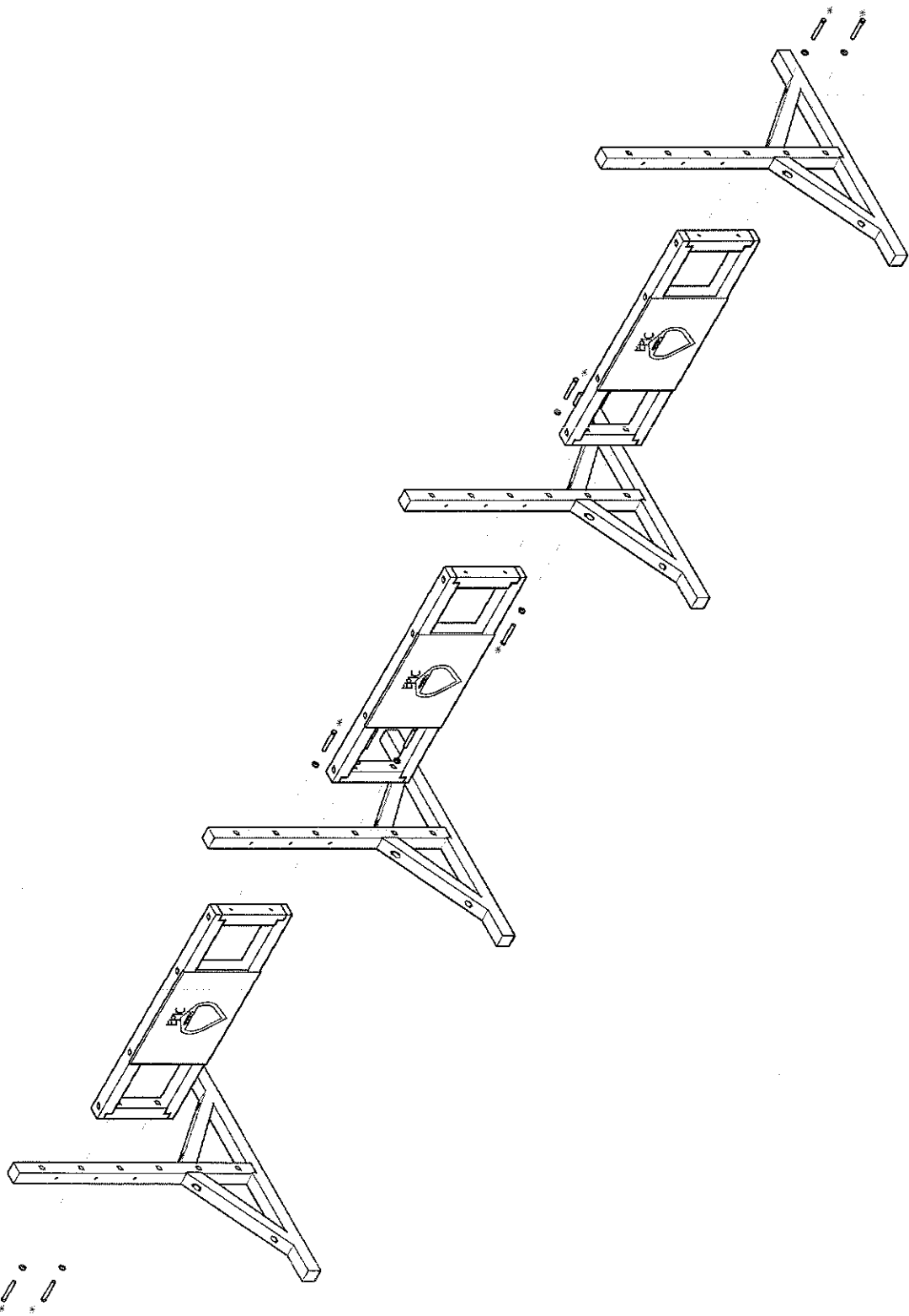
Drawn by: Jerome Johnson

No.	Revised/Issue	Date

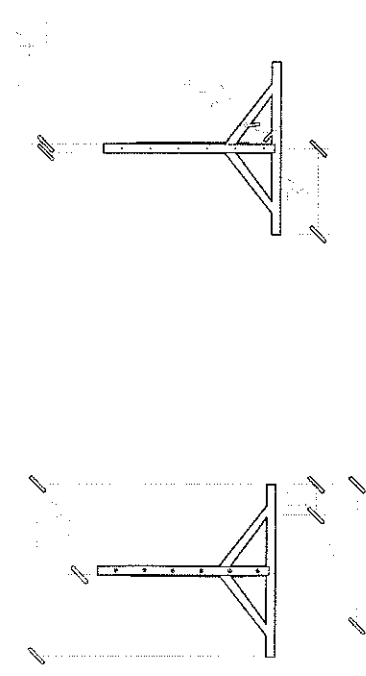
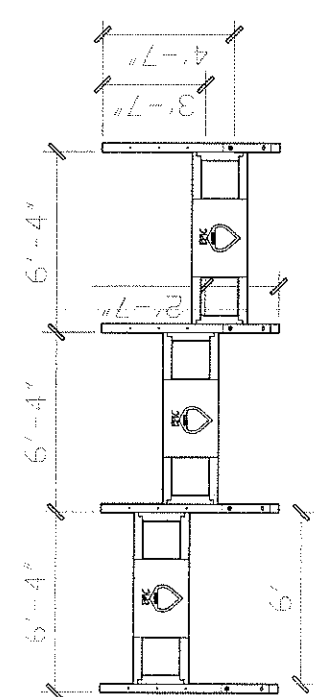
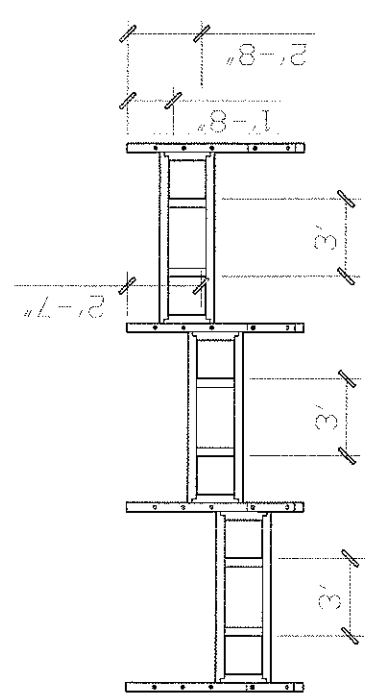
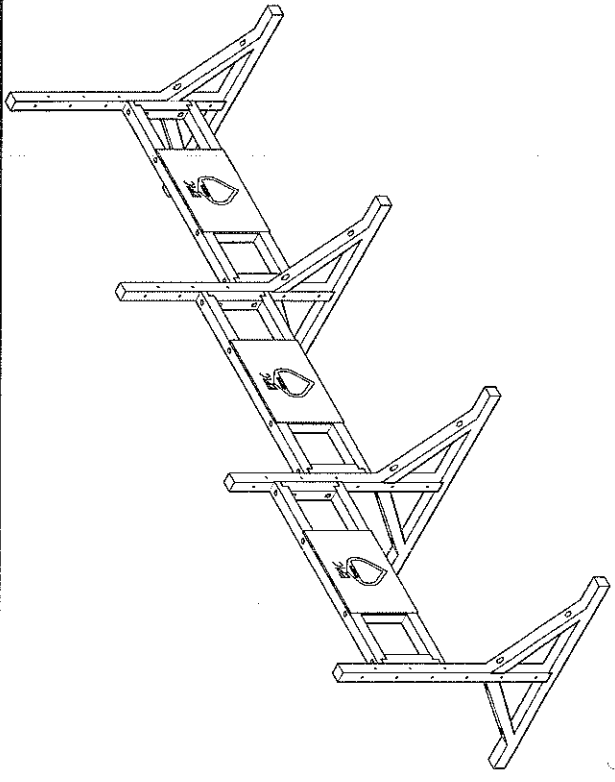
Project Name and Address
Epic Series
1919 Grand Ave
San Diego, CA 92109

Project Name and Address
fr wall
Echelon Apartment

Project	
Date	11/7/2016
Sheet	4A



General Notes Drawings Notes 1/4" wood letter Fluorescent Scale 1/2" = 1'-0" A-B-D-E Scale 3/4" = 1'-0" F-C		Drawn by: Linnell Robinson
No.	Revision/Issue	Date
File Name and Address Epic Series 1919 Grand and San Diego, CA 92109		Project Name and Address 1st wall
Sheet Date: 11/11/2016 Scale: Refer to notes	Sheet 4	



C

B

A

3

4

General Notes

- Drawing Notes:
- All wood laminar
- Flipped
- On bulk screws w/
- zinka washers
- All other screws are
- 9" Long

Drawings - energy adjustment

No.	Revision/Issue	Date

Project Name and Address
Epic Status
1019 Grand Ave
San Diego, CA 92109

Project Name and Address
Indice Wall
Episodes/Aesthetic

Project	Sheet
10/17/2016	5A

