

FILTER UNIT LEGEND

- FILTER UNIT WITHOUT TRASH COLLECTION BAY
- FILTER UNIT WITH TRASH COLLECTION BAY

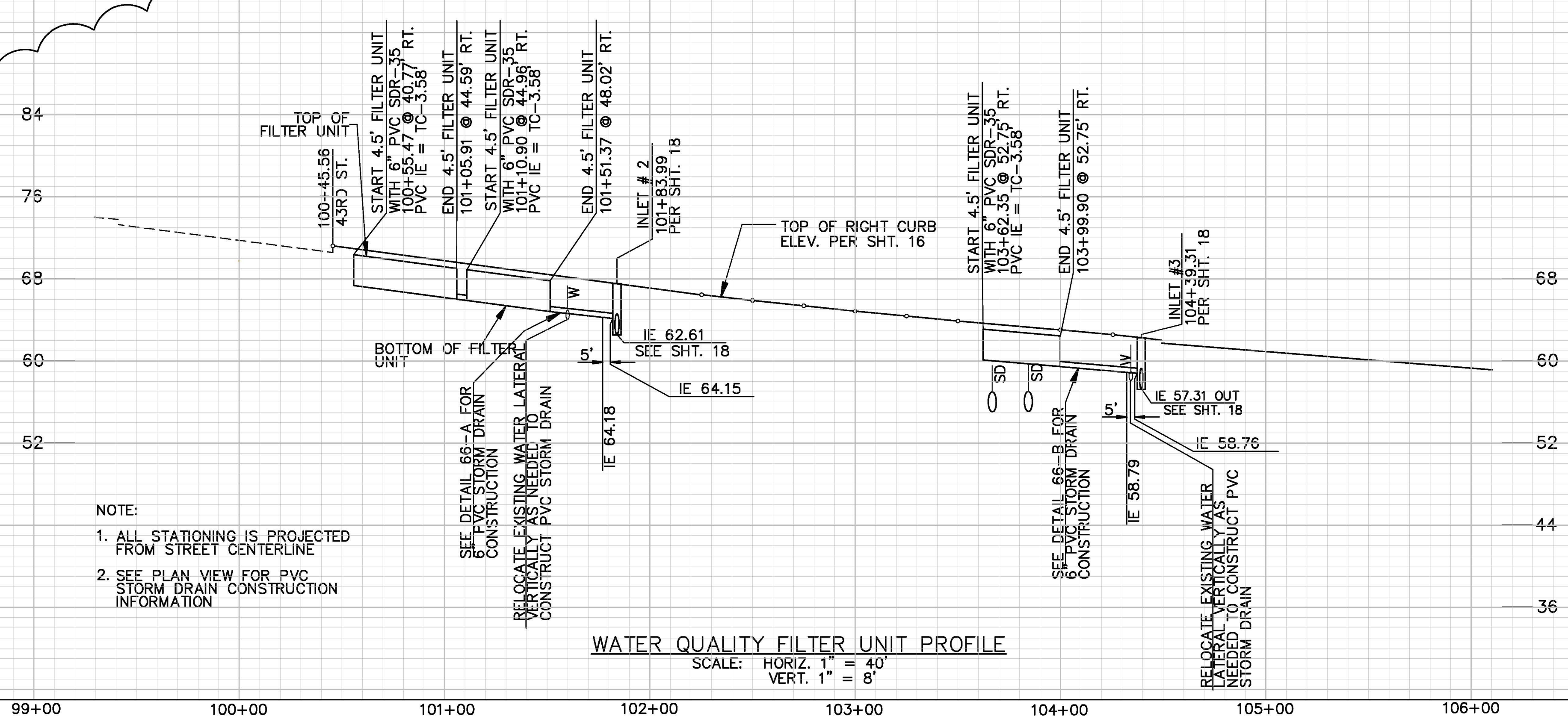
STORM DRAIN DATA

NO.	DELTA OR BRG.	RADIUS	LENGTH	REMARKS
1	N 5° 18' 17" E		2.63'	6" PVC (SDR-35) SOLID WALL
2	N 5° 18' 17" E		49.33'	6" PERFORATED PVC (SDR-35)
3	N 5° 18' 17" E		6.25'	6" PVC (SDR-35) SOLID WALL
4	N 5° 18' 17" E		39.33'	6" PERFORATED PVC (SDR-35)
5	N 5° 18' 17" E		9.67'	6" PVC (SDR-35) SOLID WALL
6	N 27° 48' 17" E		1.96'	6" PVC (SDR-35) SOLID WALL
7	N 5° 18' 17" E		21.06'	6" PVC (SDR-35) SOLID WALL
8	0° 12' 50"	702.75	2.63'	6" PVC (SDR-35) SOLID WALL
9	3° 12' 29"	702.75	39.35'	6" PERFORATED PVC (SDR-35)
10	1° 58' 27"	702.75	24.21'	6" PVC (SDR-35) SOLID WALL
11	N 1° 47' 33" E		1.74'	6" PVC (SDR-35) SOLID WALL
12	N 20° 42' 27" W		14.85'	6" PVC (SDR-35) SOLID WALL

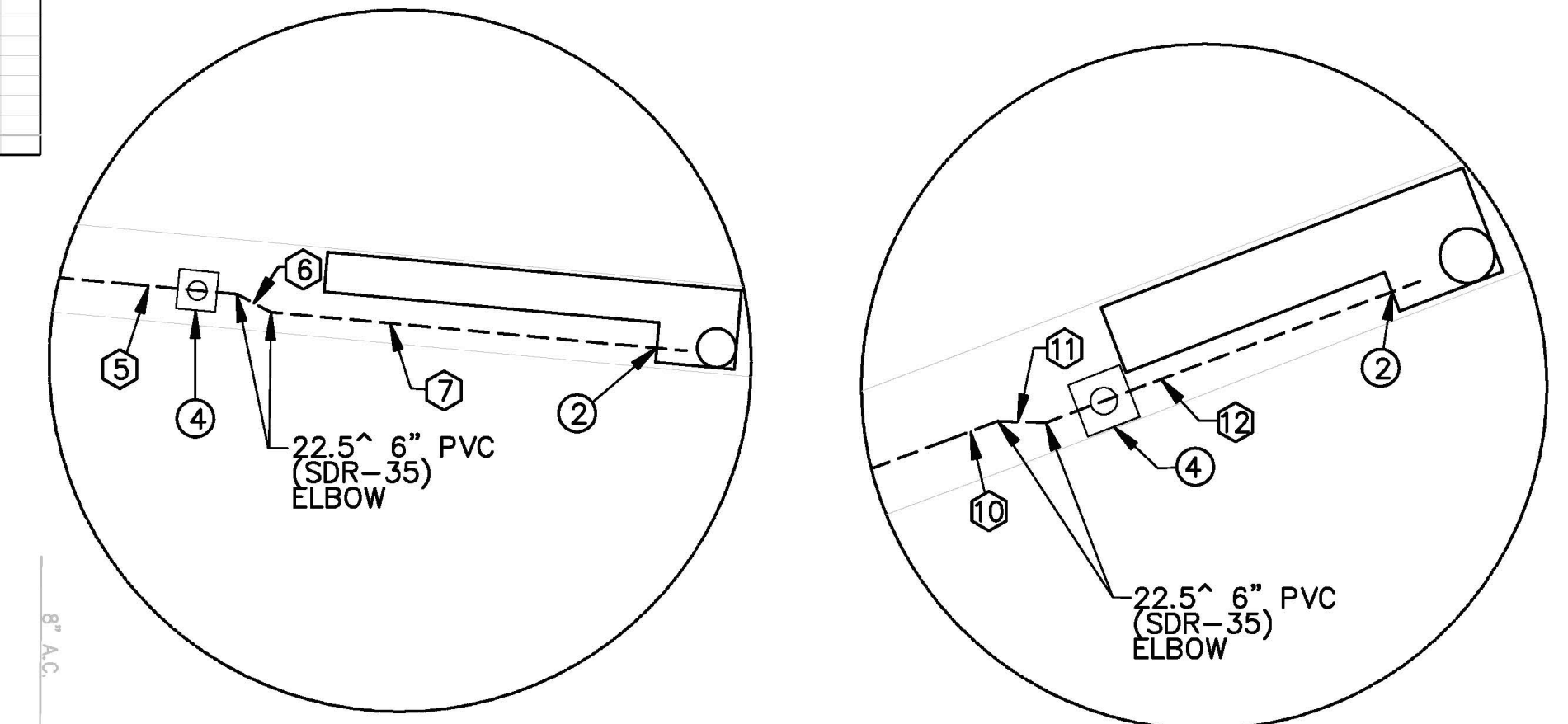
WORK TO BE DONE

- 1 CONSTRUCT WATER QUALITY FILTER UNIT PER DETAILS ON SHEETS 68-71
- 2 CONSTRUCT 6" PVC SDR-35 STORM DRAIN. CONNECT TO SIDEWALL OF NEW CATCH BASIN. MORTAR CONNECTION TO SEAL VOIDS BETWEEN PVC OUTER WALL AND HOLE IN CATCH BASIN SIDE WALL. EXTEND STORM DRAIN 12" INTO CATCH BASIN. SLOPE THE DOWNSTREAM 5' PORTION OF STORM DRAIN AT 0.50%.
- 3 CONSTRUCT STORM DRAIN CLEANOUT PER SDRSD S-3 TYPE A
- 4 CONSTRUCT STORM DRAIN CLEANOUT PER SDRSD S-3 TYPE B
- 5 CONSTRUCT ROOT BARRIER PER DETAIL 66-C (TYPICAL BETWEEN FILTER UNIT CELLS)

NOTE:
 1. ALL STATIONING IS PROJECTED FROM STREET CENTERLINE
 2. SEE PLAN VIEW FOR PVC STORM DRAIN CONSTRUCTION INFORMATION



WATER QUALITY FILTER UNIT PROFILE
 SCALE: HORIZ. 1" = 40'
 VERT. 1" = 8'

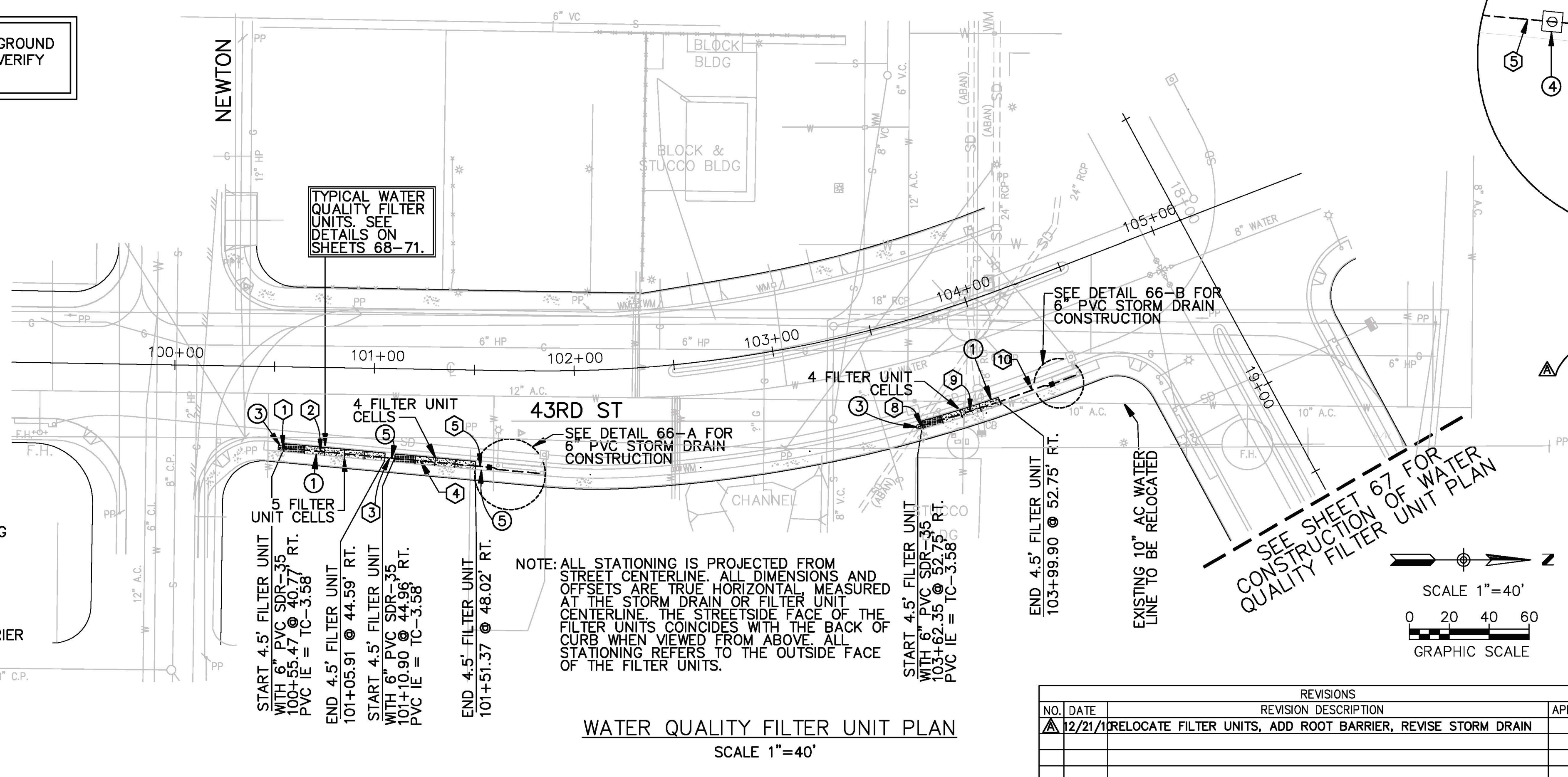


DETAIL 66-A NTS

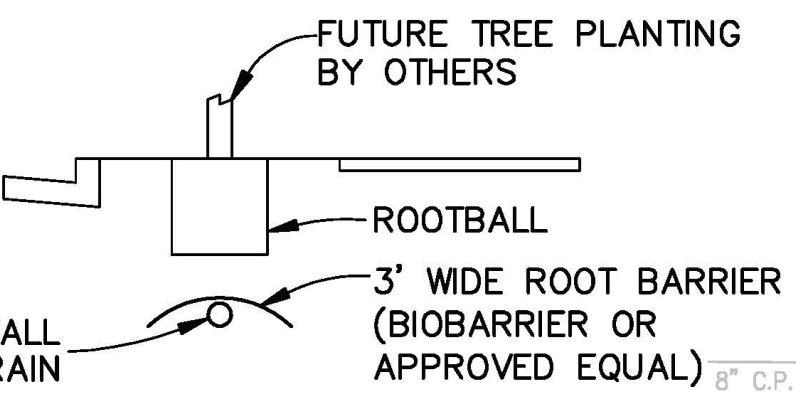
DETAIL 66-B NTS

CAUTION: EXACT LOCATION OF EXISTING UNDERGROUND UTILITIES UNKNOWN. CONTRACTOR TO VERIFY IN FIELD PRIOR TO CONSTRUCTION.

- MAINTENANCE NOTE:**
1. THIS PROJECT IS A WATERSHED PROTECTION PROJECT THAT THE STORM WATER DEPARTMENT IS INSTALLING FOR THE PURPOSES OF PILOTING NEW TECHNOLOGIES TO BE EVALUATED FOR THEIR USE IN TMDL COMPLIANCE. THE STORM WATER DEPARTMENT WILL BE MONITORING THE MAINTENANCE OF THESE BMPs AND MAY MODIFY THE MAINTENANCE PROCEDURE AND FREQUENCY BASED ON FINDINGS.
 2. FILTER UNIT INLET AND TRASH COLLECTION BAYS SHALL BE MAINTAINED, CLEANED, AND REPAIRED AS NECESSARY.
 3. FILTRATION MEDIA (TURFSTONE, VOLCANIC ROCK, FILTER SOIL AND GEOFABRIC) SHALL BE INSPECTED FOR CLOGGING ANNUALLY BY TRAINED PERSONNEL. THE MEDIA SHALL BE REPAIRED OR REPLACED AS DEEMED APPROPRIATE BY THE INSPECTOR.



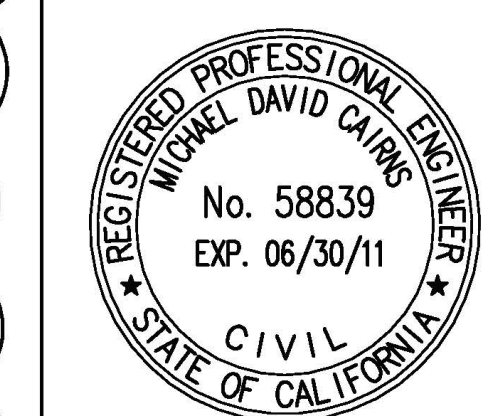
NOTE: ALL STATIONING IS PROJECTED FROM STREET CENTERLINE. ALL DIMENSIONS AND OFFSETS ARE TRUE HORIZONTAL MEASUREMENTS AT THE STORM DRAIN OR FILTER UNIT CENTERLINE. THE STREETSIDE FACE OF THE FILTER UNITS COINCIDES WITH THE BACK OF CURB WHEN VIEWED FROM ABOVE. ALL STATIONING REFERS TO THE OUTSIDE FACE OF THE FILTER UNITS.



DETAIL 66-C NTS

WATER QUALITY FILTER UNIT PLAN
 SCALE 1"=40'

NO.	DATE	REVISION DESCRIPTION	APPROVED
1	12/21/11	RELOCATE FILTER UNITS, ADD ROOT BARRIER, REVISE STORM DRAIN	



WATER QUALITY PLAN FOR
43rd STREET

CITY OF SAN DIEGO, CALIFORNIA
 ENGINEERING DEPARTMENT
 SHEET 66 OF 71 SHEETS

FOR CITY ENGINEER	DATE	SECTION HEAD
DESCRIPTION	BY	APPROVED
FILE NAME:	DATE:	FILMED
		JAMES NABONG PROJECT MANAGER
		PROJECT ENGINEER
		192-1737
		LAMBERT COORDINATES
AS-BUILT	DATE STARTED	
CONTRACTOR	DATE COMPLETED	27621-66-D
INSPECTOR		

CONTRACTOR MUST NOTIFY THE BELOW LISTED AGENCY AT LEAST TWO (2) WORKING DAYS PRIOR TO COMMENCEMENT OF EXCAVATION:

UNDERGROUND SERVICE ALERT (USA) 1-800-422-4133