

NOTE:

1. FINISHED GRADES AS SHOWN ON PLAN VIEW DO NOT REFLECT FILTER UNIT MATERIAL SURFACE ELEVATIONS. SEE SECTION A'-A' AND B'-B' ON SHEET 73 FOR FILTER MATERIAL LAYERING AND ELEVATIONS.
2. SEE SHEETS 9-11 FOR DEMOLITION PLANS.

MAINTENANCE NOTE:

1. THIS PROJECT IS A WATERSHED PROTECTION PROJECT THAT THE STORM WATER DEPARTMENT IS INSTALLING FOR THE PURPOSES OF PILOTING NEW TECHNOLOGIES TO BE EVALUATED FOR THEIR USE IN TMDL COMPLIANCE. THE STORM WATER DEPARTMENT WILL BE MONITORING THE MAINTENANCE OF THESE BMPs AND MAY MODIFY THE MAINTENANCE PROCEDURE AND FREQUENCY BASED ON FINDINGS.
2. FILTRATION MEDIA (TURFSTONE, VOLCANIC ROCK, FILTER SOIL AND GEOTEXTILE) SHALL BE INSPECTED FOR CLOGGING ANNUALLY BY TRAINED PERSONNEL. THE MEDIA SHALL BE REPAIRED OR REPLACED AS DEEMED APPROPRIATE BY THE INSPECTOR.

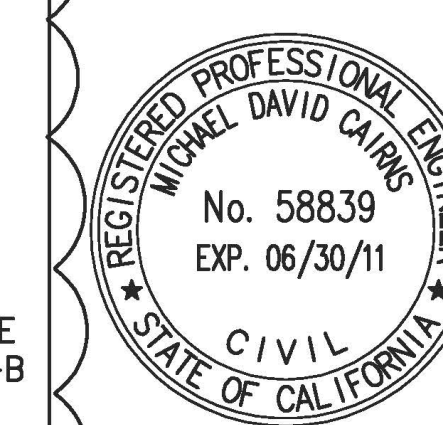
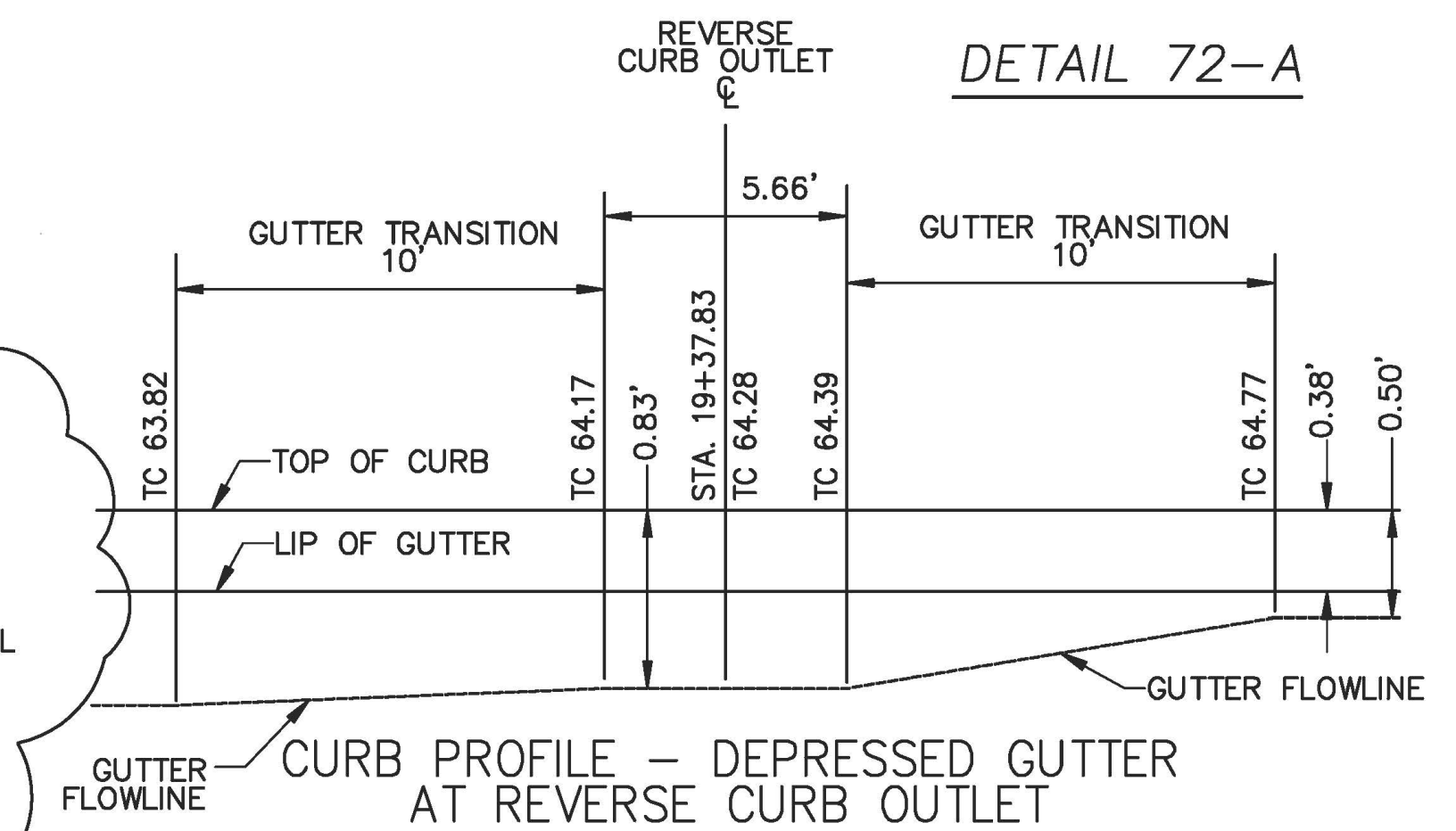
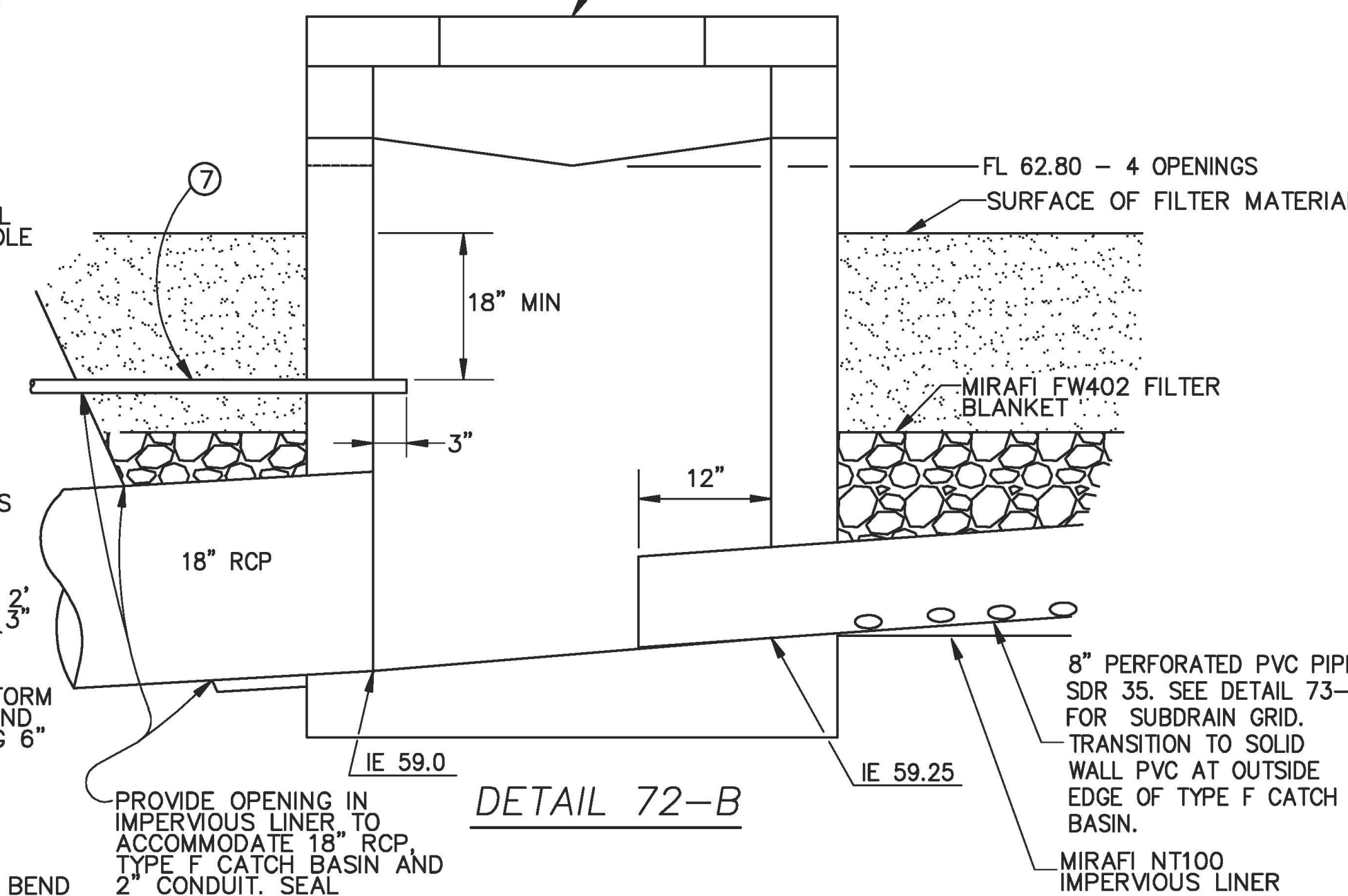
SIDEWALK CL DATA				
NO.	DELTA OR BRG.	RADIUS	LENGTH	REMARKS
1	N 28°21'46" W	1.21'	1.21'	TYPE "G-7"
2	51°15'43"	4.50'	4.03'	TYPE "G-7"
3	N 79°37'28" W	4.77'	4.77'	TYPE "G-7"
4	63°37'07"	14.50'	16.10'	TYPE "G-7"
5	N 16°00'37" W	49.60'	49.60'	TYPE "G-7"
6	84°02'17"	12.50'	18.33'	TYPE "G-7"
7	N 68°00'54" E	40.62'	40.62'	TYPE "G-7"
8	N 81°49'01" W	3.95'	3.95'	TYPE "G-7"
9	9°42'47"	97.50'	16.53'	TYPE "G-7"
10	N 88°28'12" E	11.83'	11.83'	TYPE "G-7"
11	26°57'56"	42.50'	20.00'	TYPE "G-7"
12	N 64°33'52" W	8.83'	8.83'	TYPE "G-7"
13	49°22'10"	42.50'	36.62'	TYPE "G-7"
14	N 66°03'58" E	17.11'	17.11'	TYPE "G-7"
15	N 79°37'28" W	5.81'	5.81'	TYPE "G-7"
16	95°02'39"	12.00'	19.91'	TYPE "G-7"
17	N 18°53'22" W	5.27'	5.27'	TYPE "G-7"
18	N 18°53'22" W	5.00'	5.00'	TYPE "G-7"

HARDSCAPE DATA				
NO.	DELTA OR BRG.	RADIUS	LENGTH	REMARKS
1	65°19'32"	5.0'	5.70'	TYPE "G-7"
2	S 46°39'35" E	7.30'	7.30'	TYPE "G-7"
3	109°56'31"	10.0'	19.19'	TYPE "G-7"
4	N 23°23'54" E	3.85'	3.85'	TYPE "G-7"
5	74°47'5"	5.0'	6.53'	TYPE "G-7"
6	N 68°0'54" E	12.76'	12.76'	TYPE "G-7"
7	45°40'35"	10.0'	8.15'	TYPE "G-7"
8	N 21°20'19" E	2.90'	2.90'	TYPE "G-7"
9	S 22°30'00" E	2.59'	2.59'	TYPE "G-7"
10	59°19'1"	10.0'	10.35'	TYPE "G-7"
11	S 81°49'1" E	3.95'	3.95'	TYPE "G-7"

DRAINAGE IMPROVEMENT DATA				
NO.	DELTA OR BRG.	RADIUS	LENGTH	REMARKS
1	N 5°31'32" W	26.47'	26.47'	18" RCP 2000 D
2	N 73°21'46" W	20.46'	20.46'	MODIFIED SDRSD D-25

WORK TO BE DONE

1. CONSTRUCT 5' CONCRETE SIDEWALK PER SDRSD G-7
2. CONSTRUCT 18" RCP STORM DRAIN. CONNECT TO BACK WALL OF NEW CATCH BASIN. MORTAR CONNECTION OR POUR CATCH BASIN WALL AROUND PIPE TO SEAL VOIDS BETWEEN RCP OUTER WALL AND HOLE IN CATCH BASIN BACK WALL.
3. CONSTRUCT MODIFIED REVERSE CURB OUTLET AND RIP RAP PAD PER DETAIL 72-A AND 73-A.
4. CONSTRUCT CATCH BASIN WITH FOUR OPENINGS PER SDRSD D-7 TYPE F
5. CONSTRUCT 2" WATER SERVICE WITH 1" METER AND BOX PER SDRSD WS-02 AND WS-03
6. ALL EXISTING IMPROVEMENTS AND UTILITIES WITHIN PROJECT FOOTPRINT TO BE REMOVED OR RELOCATED PRIOR TO CONSTRUCTION.
7. CONSTRUCT 2" ELECTRICAL CONDUIT WITH 2' MINIMUM RADIUS BENDS. STUB AND PLUG 3" ABOVE FINISH SURFACE AND 3" INSIDE OF TYPE F CATCH BASIN.
8. CONSTRUCT CONC. SWALE AND 6" PVC STORM DRAIN PER DETAIL 72-C. SLOPE SWALE AND STORM DRAIN TO DRAIN (0.25% MIN.). LUG 6" STORM DRAIN INTO 18" STORM DRAIN.
9. CONSTRUCT 6" ATRIUM DRAIN PER DETAIL 72-C. INSTALL STD 45° ELBOW AND STD WYE BRANCH.
10. APPROXIMATE 6.5' PIPE RADIUS OVER 90° BEND WITH 4 EVENLY SPACED 22.5° FITTINGS.
11. APPROXIMATE 11.25' PIPE RADIUS OVER 67.5° BEND WITH 3 EVENLY SPACED 22.5° FITTINGS.
12. APPROXIMATE 25' PIPE RADIUS OVER 22.5° BEND WITH 1 - 22.5° FITTING.



CONTRACTOR MUST NOTIFY THE BELOW LISTED AGENCY AT LEAST TWO (2) WORKING DAYS PRIOR TO COMMENCEMENT OF EXCAVATION:

UNDERGROUND SERVICE ALERT (USA) 1-800-422-4133

CITY CONTRACT, CIP NO. 52-409.0

GRADING PLAN FOR TRIANGLE LOT

CITY OF SAN DIEGO, CALIFORNIA
ENGINEERING DEPARTMENT
SHEET 72 OF 76 SHEETS

FOR CITY ENGINEER: _____ DATE: _____
DESCRIPTION: _____ BY: _____ APPROVED: _____ DATE: _____ FILMED: _____
FILE NAME: _____ DATE: _____

CONTRACTOR: _____ DATE STARTED: _____
INSPECTOR: _____ DATE COMPLETED: _____

W.O. NO. 112011
SUMER HASENIN - SECTION HEAD
JAMES NABONG - PROJECT MANAGER
PROJECT ENGINEER
192-1737 - LAMBERT COORDINATES
27621-72-D

