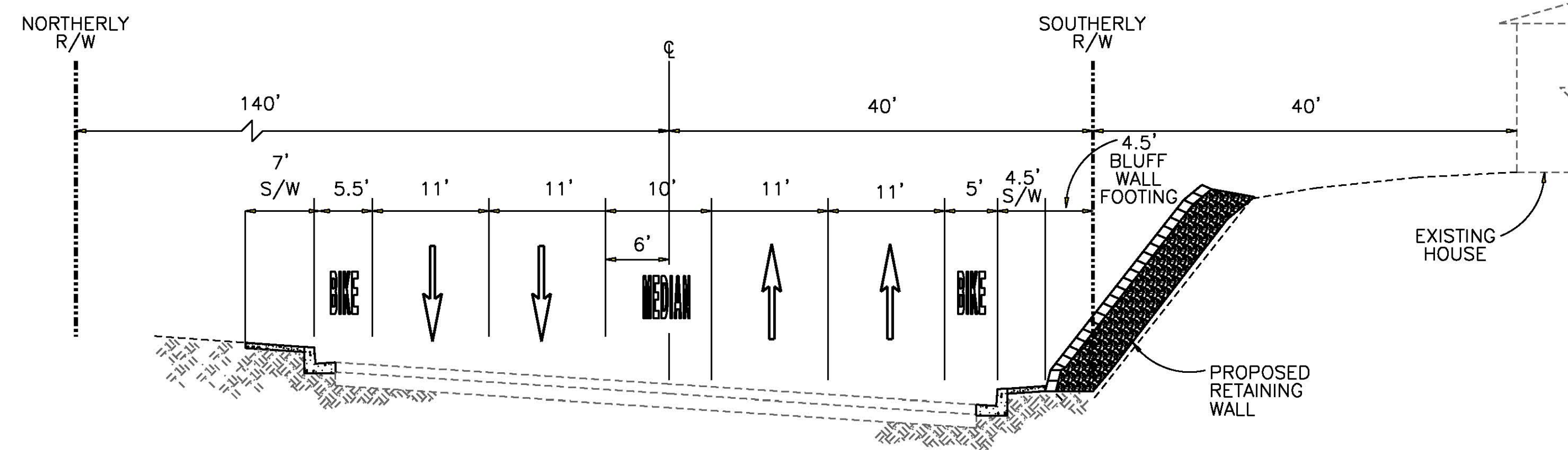
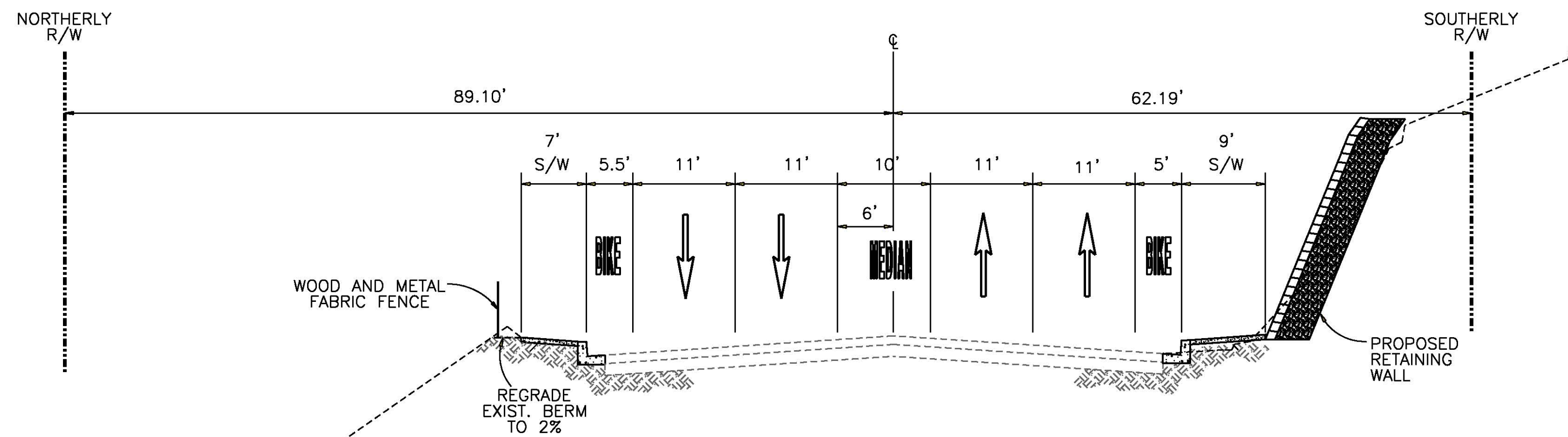


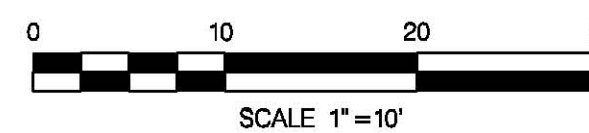
TORREY PINES ROAD AT STA 28+20  
SECTION E  
6



TORREY PINES ROAD AT STA 31+45  
SECTION F  
7



TORREY PINES ROAD AT STA 33+60  
SECTION G  
7



**Tran Consulting Engineers**  
4444 El Cajon Blvd, Suite 15  
San Diego, California 92115  
619-563-7650, FAX 619-563-7821

APPROVED: \_\_\_\_\_  
DATE: \_\_\_\_\_

01-2011  
CONCEPTUAL LAYOUT

ENGINEER CONCEPTUAL LAYOUT FOR: TORREY PINES ROAD BETWEEN LA JOLLA SHORES DR. AND PROSPECT PLACE			
DETAILS			
CITY OF SAN DIEGO, CALIFORNIA ENGINEERING AND CAPITAL PROJECTS DEPARTMENT SHEET 03 OF XX SHEETS			W.O. 526160
APPROVED:	DATE:	SUBMITTED BY:	
FOR CITY ENGINEER		ASSOCIATE ENGINEER	
DESCRIPTION	DRAWN BY	DATE	PROJECT ENGINEER
ORIGINAL	TCE	XXXX	
			CONTROL CERTIFICATION
			VARIES
			LAMBERT COORDINATES
CONTRACTOR:	DATE STARTED	XXXXX-03-D	
INSPECTOR:	DATE COMPLETED		