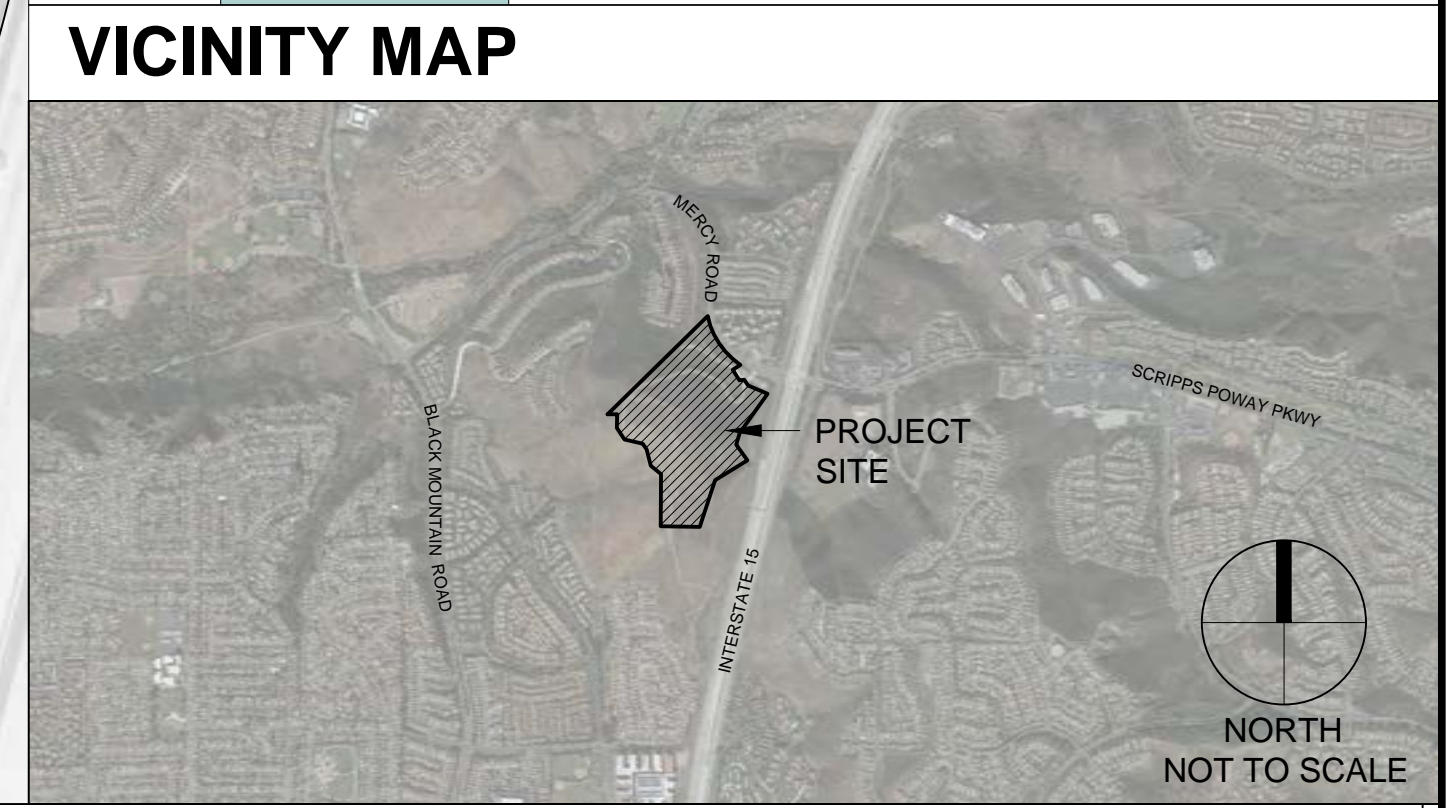


LEGEND		
KEY	SYMBOL	DESCRIPTION
1	[Pattern]	STABILIZED DECOMPOSED GRANITE TRAIL WITH 6" CONCRETE MOW CURB AT EDGES
2	[Pattern]	CONCRETE PAVING (PEDESTRIAN)
3	[Pattern]	ASPHALT PAVING (VEHICULAR)
4	[Symbol]	ENTRY ROAD GUARD RAIL BARRIER

LEGEND		
KEY	SYMBOL	DESCRIPTION
A	[Color]	MEADOW HYDROSEED MIX
B	[Color]	NATIVE PLANT GARDEN WITH PLANT IDENTIFICATION SIGNS
C	[Color]	REVEGETATION PLANTING
D	[Color]	BIOFILTRATION BASIN PLANTING



### DESIGN STATEMENT

CANYON HILLS RESOURCE BASED PARK IS LOCATED IN THE MIRA MESA COMMUNITY OF THE CITY OF SAN DIEGO. THE PROPOSED PARK IMPROVEMENTS SUPPLEMENT AN EXISTING 16.25 ACRE PARK IN THE MIRA MESA COMMUNITY AND ARE CONSISTENT WITH BOTH THE MIRA MESA COMMUNITY PLAN AND THE CITY'S GENERAL DEVELOPMENT PLAN. THE INTENT OF THE PARK DESIGN FOR CANYON HILLS RESOURCE BASED PARK IS TO ACKNOWLEDGE AND EMBRACE THE NATURAL ENVIRONMENT, SPECTACULAR VIEWS, EXISTING TRAIL SYSTEM, AND THE SURROUNDING NEIGHBORS, ALL WHILE MAINTAINING THE SDCWA'S 130' WIDE EASEMENT THAT RUNS THROUGH THE SITE.

THE DESIGN INCLUDES AN ORNAMENTAL GATE AT THE PARK ENTRY FOR BOTH VEHICULAR AND PEDESTRIAN ACCESS. THIS OPENS UP TO AN ENTRY ROAD WITH AN ADJACENT CONCRETE WALK, LEADING PARK USERS UP TO THE PLATEAU AREA WHERE THE PROPOSED PARK IMPROVEMENTS ARE LOCATED. THE PROPOSED ROAD IMPROVEMENTS PROVIDE A VEHICLE TURNAROUND AND MEET EMERGENCY VEHICULAR REQUIREMENTS. THE PROPOSED ROAD IMPROVEMENTS REQUIRE RETAINING WALLS ALONG THE ENTRY ROAD WHICH SHALL BE DESIGNED TO BLEND INTO THE STEEP SLOPES. 50 PARKING SPACES, WHICH INCLUDES 2 ADA PARKING STALLS, ARE PROPOSED ALONG THE UPPER LEVEL OF THE ENTRY ROAD AND WITHIN THE PARK'S IMPROVEMENT AREA. ADA ACCESS TO ALL THE AMENITY AREAS IS INCORPORATED INTO THE DESIGN. THESE AMENITIES INCLUDE A COMFORT STATION WITH A DRINKING FOUNTAIN ON THE EXTERIOR OF THE BUILDING, LARGE AND SMALL SIZE SHADE SHELTERS ON CONCRETE PADS WITH PICNIC TABLES, A DECOMPOSED GRANITE TRAIL RUNNING ALONG THE TOP OF THE SLOPE AND ONTO THE LOWER PLATEAUS, LODGEPOLE FENCING, BENCHES, TRASH AND RECYCLE RECEPTACLES, INTERPRETIVE SIGNS, AND LOW DECORATIVE SEDIMENT OR ROCK WALLS. LIGHTING WILL NOT BE INCLUDED WITH THE SITE IMPROVEMENTS. A POTABLE WATER SUPPLY AND SEWER CONNECTION IS PROPOSED FROM THE MENDIOLA POINT CUL-DE-SAC. SOLAR POWERED IRRIGATION CONTROLLER(S) SHALL BE UTILIZED FOR THE PERMANENT AND TEMPORARY IRRIGATION SYSTEMS NEEDED FOR ALL PLANTED AREAS ON THE SITE. A RECYCLED WATER SUPPLY FOR IRRIGATION IS PROPOSED FROM EXISTING RECYCLED WATER AT MERCY ROAD. ALL IRRIGATION HEADS WITHIN TWENTY (20) FEET OF VEHICULAR AND PEDESTRIAN ACCESS IN NATIVE PLANT GARDENS, BASINS, AND MEADOW AREAS SHALL BE POP-UP TYPE WITH BELOW GRADE PIPING. REVEGETATION AREAS SHALL BE ABOVE-GRADE IRRIGATION SYSTEMS WHERE SUBJECT TO REMOVAL UPON DETERMINATION OF PLANT ESTABLISHMENT.

EXISTING TRAIL CONNECTIONS REMAIN INTACT ALONG THE PLATEAU. A TRAILHEAD SIGN AND BENCH ARE LOCATED AT THE NORTH SIDE OF THE UPPER PLATEAU, INVITING PARK USERS TO HIKE THE EXISTING TRAIL AND TAKE ADVANTAGE OF THE SPECTACULAR 180 DEGREE VIEWS. THE LOWER PLATEAUS INCLUDE MEANDERING TRAILS AROUND A NATIVE GARDEN WITH PLANT IDENTIFICATION SIGNS. INTERPRETATIVE SIGNS ARE ALSO LOCATED ALONG THE PROPOSED PATHS, EDUCATING THE PARK USERS AS TO THE HISTORY OF THE SITE, THE FLORA AND FAUNA, AND THE COMMUNITIES THAT CAN BE VIEWED FROM THE OVERLOOK AREAS.



COUNCIL DISTRICT: 06		COMMUNITY PLAN AREA: MIRA MESA	
DATE	ACTION	REFERENCE DOCUMENTS	
	SITE ACQUIRED	RESO. NO. COST \$: ACRES: 16.25	
	SITE DEDICATED	ORD. NO. ACRES:	
	GDP CONSULTANT HIRED	RESO. NO. NAME:	
	P&R BOARD APPROVAL	PF&R APPROVAL DATE:	
	INITIAL DEVELOPMENT	CIP NO. J.O. NO. DRWG. NO.	
		CIP NO. J.O. NO. DRWG. NO.	
		CIP NO. J.O. NO. DRWG. NO.	
		CIP NO. J.O. NO. DRWG. NO.	
		CIP NO. J.O. NO. DRWG. NO.	
		CIP NO. J.O. NO. DRWG. NO.	
		CIP NO. J.O. NO. DRWG. NO.	

IMPROVEMENTS SUMMARY (ESTIMATED)							
ITEM	QUANTITY	ITEM	QUANTITY	ITEM	QUANTITY	ITEM	QUANTITY
TOTAL SITE	16.25 AC.	TOT LOT	SF	PAVED WALKWAYS	22,721 SF	SECURITY LTS.	STDS.
IMPROVED AREA	11.74 AC.	MULTI-PURPOSE CT.	SF	PARK ROADS	94,163 SF	BALLFIELD LTS.	STDS.
TURF	AC.	TENNIS CTS.	SF	PARKING LOT	SF	TENNIS COURT LTS.	STDS.
SHRUB BED	1.22 AC.	RESTROOM	127 SF	PARKING STALLS-STD.	48	MULTI-PURPOSE CT. LTS.	STDS.
NATURAL	5.48 AC.	REC. BLDG.	SF	PARKING STALLS-DISABLED	2	BACKSTOPS	EA.
D.G. PAVING	0.54 AC.	POOL BLDG.	SF	COURT GAME AREA	SF	BENCHES	6 EA.
DIRT INFIELDS	AC.	POOL DECK	SF	LAWN EDGING	LF	PICNIC TABLES	12 EA.
		POOL WATER	SF	BLEACHERS	EA.	TRASH RECEPTACLES	4 EA.
						REVISION	

**GENERAL DEVELOPMENT PLAN** SHEET: 1 OF 11

CITY OF SAN DIEGO PARK AND RECREATION DEPARTMENT

THE GENERAL DEVELOPMENT PLAN

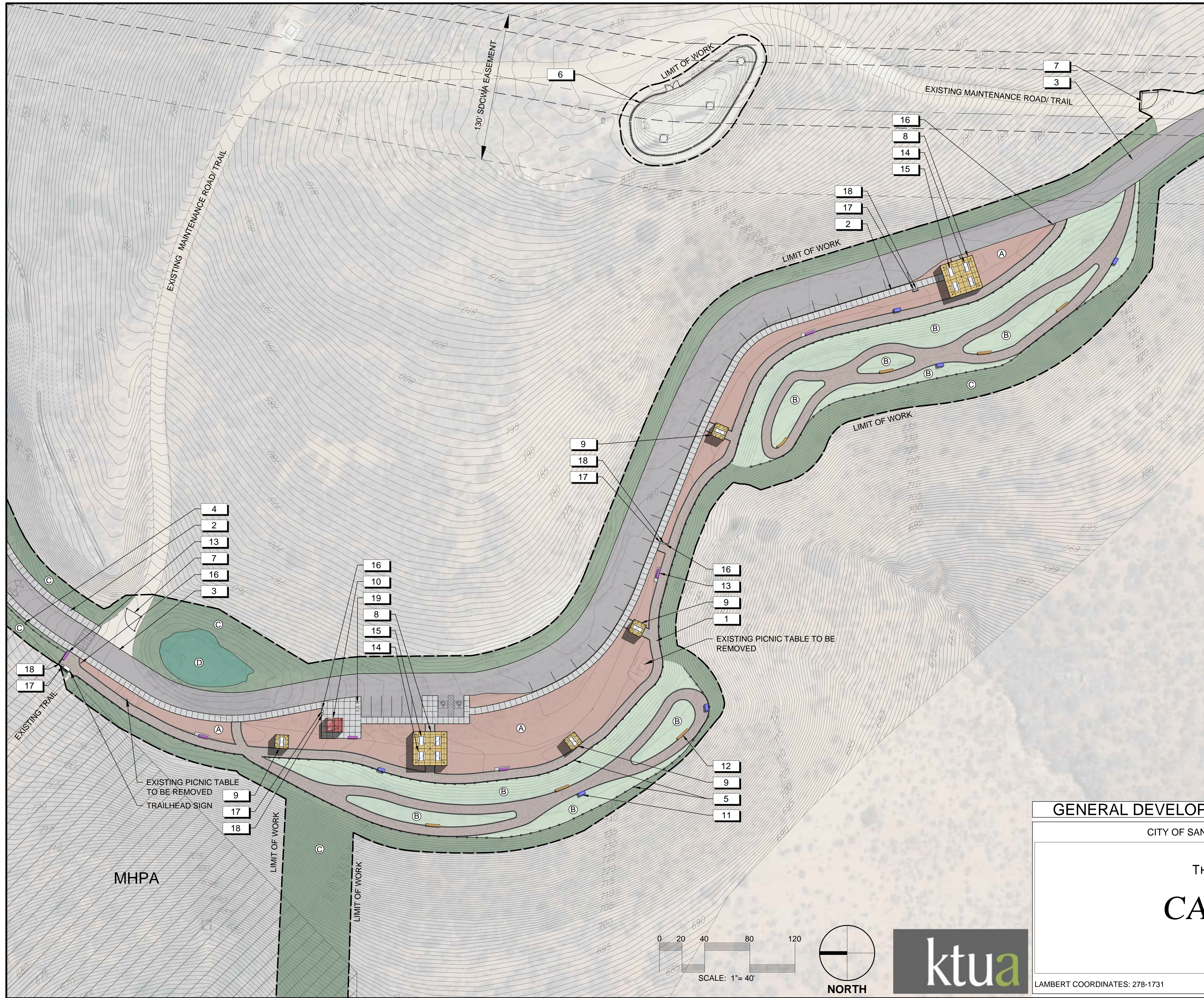
# CANYON HILLS

RESOURCE PARK

PSD  
S-15006

LAMBERT COORDINATES: 278-1731      THOMAS BROTHERS PAGE: 1209





LEGEND		
KEY	SYMBOL	DESCRIPTION
1	[Brown textured box]	STABILIZED DECOMPOSED GRANITE TRAIL WITH 6" CONCRETE MOW CURB AT EDGES
2	[Grey textured box]	CONCRETE PAVING (PEDESTRIAN) (SEE SHEET 1 & 2)
3	[Dark grey textured box]	ASPHALT PAVING (VEHICULAR) (SEE SHEET 1 & 2)
4	[Dashed line]	ENTRY ROAD GUARD RAIL BARRIER (SEE SHEET 1 & 2)
5	[Line with dots]	LODGE POLE FENCE WITH CHAINLINK MESH (42" HIGH)
6	[Line with vertical bars]	METAL SECURITY FENCE WITH VEHICULAR DOUBLE GATE
7	[Curved arrow]	GALVANIZED METAL SWING GATE WITH POST STOPS
8	[Yellow square with X]	30' SQUARE PREFABRICATED METAL SHADE STRUCTURE WITH CONCRETE PAD
9	[Yellow square with X]	12' SQUARE PREFABRICATED METAL SHADE STRUCTURE WITH CONCRETE PAD
10	[Red square]	SINGLE STALL ALL GENDER COMFORT STATION WITH EXTERIOR DRINKING FOUNTAIN (ADA ACCESSIBLE)
11	[Blue square]	INTERPRETIVE SIGN
12	[Orange line]	SEDIMENTARY OR NATIVE ROCK DECORATIVE WALL
13	[Purple line]	CONCRETE BENCH ON CONCRETE PAD, TYP.
14	[Grey rectangle]	CONCRETE PICNIC TABLE, TYP.
15	[Grey rectangle]	CONCRETE ADA PICNIC TABLE, TYP.
16	[Dot]	DOG BAG DISPENSER, TYP.
17	[Circle]	WASTE RECEPTACLE, TYP.
18	[Circle]	RECYCLING RECEPTACLE, TYP.
19	[Dash]	BICYCLE RACK, TYP.

LEGEND		
KEY	SYMBOL	DESCRIPTION
A	[Brown textured box]	MEADOW HYDROSEED MIX
B	[Light green textured box]	NATIVE PLANT GARDEN WITH PLANT IDENTIFICATION SIGNS
C	[Dark green textured box]	REVEGETATION PLANTING
D	[Teal textured box]	BIOFILTRATION BASIN PLANTING



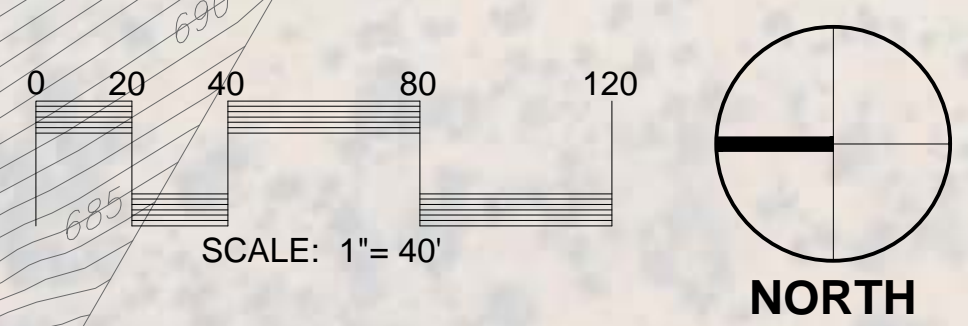
GENERAL DEVELOPMENT PLAN - ENLARGEMENT SHEET: 2 OF 11

CITY OF SAN DIEGO PARK AND RECREATION DEPARTMENT

THE GENERAL DEVELOPMENT PLAN

# CANYON HILLS

RESOURCE PARK



LAMBERT COORDINATES: 278-1731

THOMAS BROTHERS PAGE: 1209

PSD

S-15006





EXISTING PARK SIGNAGE  
PARK CHARACTER



EXISTING VIEW AND CAIRNS  
PARK CHARACTER



TRAIL SIGNAGE  
PARK CHARACTER



LOW NATIVE ROCK WALL  
PARK CHARACTER



SEDIMENTARY WALL  
PARK CHARACTER



THEMED ENTRY GATE  
DESIGN INSPIRATION



THEMED ENTRY GATE  
DESIGN INSPIRATION



VIEW OVERLOOK  
DESIGN INSPIRATION



RETAINING WALL ALONG ENTRY ROAD (FILL SLOPE)  
SITE WALLS



RETAINING WALL ALONG ENTRY ROAD (CUT SLOPE)  
SITE WALLS



VEGETATED TREATMENT BASIN  
TREATMENT BASIN



VIEWS AND ORIENTATION SIGN  
INTERPRETIVE ELEMENTS



HISTORICAL POINT OF INTEREST SIGN  
INTERPRETIVE ELEMENTS



SCENIC VIEW SIGN  
INTERPRETIVE ELEMENTS



TRAILHEAD SIGN  
INTERPRETIVE ELEMENTS







STABILIZED DECOMPOSED GRANITE  
TRAILS



STANDARD GRAY CONCRETE  
PEDESTRIAN PAVING



ASPHALT ENTRY ROAD  
VEHICULAR PAVING



PREFABRICATED 12'X12' AND 30'X30' STEEL SHADE  
STRUCTURES BY POLIGON  
SHADE STRUCTURE



SWING GATES AT SERVICE ROAD TRAILS  
GATES



GUARDRAIL ALONG ENTRY ROAD  
GUARDRAIL



LODGE POLE PINE FENCING  
FENCING



LODGE POLE PINE FENCING WITH CHAINLINK MESH  
FENCING



SECURITY FENCING AT SDCWA VENTS  
FENCING



DOG WASTE RECEPTACLES BY DOGIPOT  
MODEL 1003-L  
RECEPTACLES



8' CONCRETE BENCH, BACKLESS, BY QCP  
MODEL Q2CAL96B  
BENCHES



8' CONCRETE PICNIC TABLE BY QCP  
MODEL QLBT96PT  
TABLES



8' CONCRETE ADA PICNIC TABLE BY QCP  
MODEL QLBT102PTADA  
TABLES



BICYCLE RACKS BY QCP  
MODEL Q-ARC-BR  
BICYCLE RACK



WASTE AND RECYCLING RECEPTACLES BY QCP  
MODEL QS-SC2651SDW  
RECEPTACLES



MEADOW SUCH AS:



PURPLE THREE AWN  
*ARISTIDA PURPUREA*



CANE BLUESTEM  
*BOTHRIOCHLOA BARBINODIS*



GOLDFIELDS  
*LASTHENIA GRACILIS*



MINIATURE LUPINE  
*LUPINE BICOLOR*

NATIVE SUCH AS:



BROOM BACCHARIS  
*BACCHARIS SAROTROIDES*



CHALK DUDLEYA  
*DUDLEYA PULVERULENTA*



CHAPARRAL YUCCA  
*HESPEROYUCCA WHIPPLEI*



TOYON  
*HETEROMELES ARBUTIFOLIA*

NATIVE SUCH AS:



ARROYO LUPINE  
*LUPINUS SUCCULENTUS*



SHOWY PENSTEMON  
*PENSTEMON SPECTABILIS*



SAN DIEGO SAGE  
*SALVIA MUNZII*



MISSION MANZANITA  
*XYLOCOCCUS BICOLOR*

BIOFILTRATION SUCH AS:



SAN DIEGO SUNFLOWER  
*BAHIOPSIS LACINIATA*



GRAY RUSH  
*JUNCUS PATENS*



DEER GRASS  
*MUHLENBERGIA RIGENS*



BLUE-EYED GRASS  
*SISYRINCHIUM BELLUM*

### MEADOW PLANTING, SUCH AS:

(HYDROSEED MIX)

BOTANICAL NAME

*ARISTIDA PURPUREA*  
*BOTHRIOCHLOA BARBINODIS*  
*CHAENACTIS GABRIUSCULA*  
*ELYMUS GLAUCUS*  
*ELYMUS TRITICOIDES*  
*ERIOPHYLLUM CONFERTIFLORUM*  
*ESCHSCHOLZIA CALIFORNICA*  
*GRINDELIA CAMPORUM*  
*LASTHENIA GRACILIS*  
*LAYIA PLATYGLOSSA*  
*LUPINE BICOLOR*  
*MELICA IMPERFECTA*  
*SISYRINCHIUM BELLUM*

COMMON NAME

PURPLE THREE AWN  
CANE BLUESTEM  
PINCUSHION FLOWER  
BLUE WILD RYE  
BEARDLESS WILD RYE  
LONG STEM GOLDEN YARROW  
CALIFORNIA POPPY  
GUMPLANT  
GOLDFIELDS  
TIDY TIPS  
MINIATURE LUPINE  
LITTLE CALIFORNIA MELICA  
WESTERN BLUE EYED GRASS

### NATIVE GARDEN PLANTING, SUCH AS:

(50% 1 GALLON, 50% 5 GALLON)

BOTANICAL NAME

*ACMISPON GLABER*  
*ADOLPHIA CALIFORNICA*  
*ARTEMESIA CALIFORNICA*  
*BACCHARIS SAROTROIDES*  
*CEANOTHUS SP.*  
*DIPLACUS AURANTIACUS*  
*DUDLEYA PULVERULENTA*  
*ENCELIA CALIFORNICA*  
*ERIOGONUM FASCICULATUM*  
*ERIOPHYLLUM CONFERTIFOLIUM*  
*FEROCACTUS VIRIDESCENS*  
*HESPEROYUCCA WHIPPLEI*  
*HETEROMELES ARBUTIFOLIA*  
*LUPINUS SUCCULENTUS*  
*MALOSMA LAURINA*  
*OPUNTIA LITTORALIS*  
*PENSTEMON SPECTABILIS*  
*QUERCUS BERBERIDIFOLIA*  
*RHAMNUS CALIFORNICA*  
*RHUS INTEGRIFOLIA*  
*RIBES SPECIOSUM*  
*SALVIA APIANA*  
*SALVIA CLEVELANDII*  
*SALVIA MELLIFERA*  
*SALVIA MUNZII*  
*XYLOCOCCUS BICOLOR*

COMMON NAME

DEERWEED  
SPINESHRUB  
CALIFORNIA SAGEBRUSH  
BROOM BACCHARIS  
CALIFORNIA LILAC  
BUSH MONKEY FLOWER  
CHALK DUDLEYA  
COAST SUNFLOWER  
CALIFORNIA BUCKWHEAT  
GOLDEN YARROW  
SAN DIEGO BARREL CACTUS  
CHAPARRAL YUCCA  
TOYON  
ARROYO LUPINE  
LAUREL SUMAC  
COAST PRICKLY PEAR  
SHOWY PENSTEMON  
SCRUB OAK  
COFFEEBERRY  
LEMONADE BERRY  
FUHSIA-FLOWERING GOOSEBERRY  
WHITE SAGE  
CLEVELAND SAGE  
BLACK SAGE  
SAN DIEGO SAGE  
MISSION MANZANITA

### BIOFILTRATION BASIN PLANTING, SUCH AS:

(50% 1 GALLON, 50% 5 GALLON)

BOTANICAL NAME

*BAHIOPSIS LACINIATA*  
*CAREX SP.*  
*EPILOBIUM CANUM*  
*FESTUCA RUBRA 'MOLATE'*  
*JUNCUS PATENS*  
*LEYMUS CONDENSATUS CANYON PRINCE*  
*MUHLENBERGIA RIGENS*  
*ROSA CALIFORNICA*  
*RUSSELLIA EQUISETIFORMIS CORAL FOUNTAIN*  
*SALVIA SPATHACEA*  
*SISYRINCHIUM BELLUM*

COMMON NAME

SAN DIEGO SUNFLOWER  
SEDGE  
CALIFORNIA FUHSIA  
CREEPING RED FESCUE  
GRAY RUSH  
CANYON PRINCE WILD RYE  
DEER GRASS  
CALIFORNIA WILD ROSE  
FIRECRACKER PLANT  
HUMMINGBIRD SAGE  
BLUE-EYED GRASS

PLANT IMAGE BOARD

SHEET: 5 OF 11

CITY OF SAN DIEGO PARK AND RECREATION DEPARTMENT

THE GENERAL DEVELOPMENT PLAN

# CANYON HILLS

RESOURCE PARK



LAMBERT COORDINATES: 278-1731

THOMAS BROTHERS PAGE: 1209

PSD

S-15006





DEERWEED  
*ACMISPON GLABER*



COASTAL SAGEBRUSH  
*ARTEMISIA CALIFORNICA*



SAN DIEGO SUNFLOWER  
*BAHIOPSIS LACINIATA*



CALIFORNIA ENCELIA  
*ENCELIA CALIFORNICA*



INLAND CALIFORNIA BUCKWHEAT  
*ERIOGONUM FASCICULATUM*



LONG-STEM GOLDEN-YARROW  
*ERIOPHYLLUM CONFERTIFLORUM*



SPREADING GOLDENBUSH  
*ISOCOMA MENZIESII*



LAUREL SUMAC  
*MALOSMA LAURINA*



LEMONADE BERRY  
*RHUS INTEGRIFOLIA*



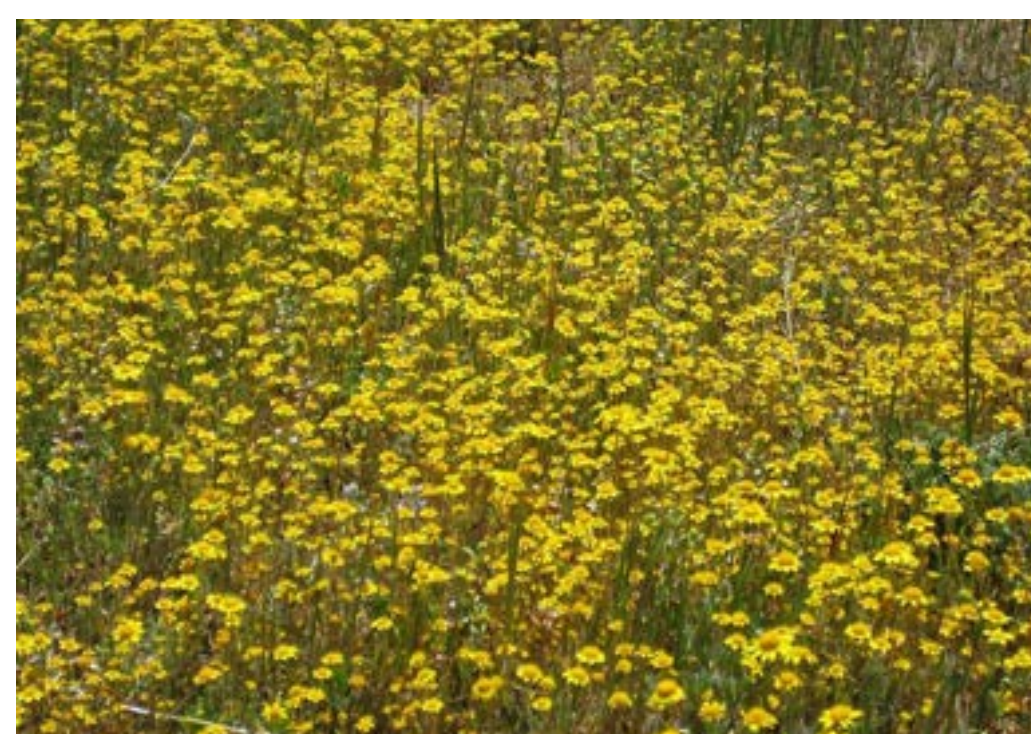
WHITE SAGE  
*SALVIA APIANA*



BLACK SAGE  
*SALVIA MELLIFERA*



FASCICLED TARWEED  
*DEINANDA FASCICULATA*



COMMON GOLDFIELDS  
*LASTHENIA GRACILIS*



ARROYO LUPINE  
*LUPINUS SUCCULENTUS*



DOT-SEED PLANTAIN  
*PLANTAGO ERECTA*



FOOTHILL NEEDLE GRASS  
*STIPA LEPIDA*

REVEGETATION PLANTING SUCH AS:

BOTANICAL NAME	COMMON NAME
<b>WEST UTILITY CORRIDOR SHRUBS AND SUBSHRUBS (HYDROSEED MIX)</b>	
<i>ACMISPON GLABER</i>	DEERWEED
<i>ARTEMISIA CALIFORNICA</i>	COASTAL SAGEBRUSH
<i>BAHIOPSIS LACINIATA</i>	SAN DIEGO SUNFLOWER
<i>ENCELIA CALIFORNICA</i>	CALIFORNIA ENCELIA
<i>ERIOGONUM FASCICULATUM</i> VAR. <i>FOLIOLOSUM</i>	INLAND CALIFORNIA BUCKWHEAT
<i>ERIOPHYLLUM CONFERTIFLORUM</i> VAR. <i>CONFERTIFLORUM</i>	LONG-STEM GOLDEN-YARROW
<i>ISOCOMA MENZIESII</i> VAR. <i>MENZIESII</i>	SPREADING GOLDENBUSH
<i>MALOSMA LAURINA</i>	LAUREL SUMAC
<i>RHUS INTEGRIFOLIA</i>	LEMONADEBERRY
<i>SALVIA APIANA</i>	WHITE SAGE
<i>SALVIA MELLIFERA</i>	BLACK SAGE
<b>WEST UTILITY CORRIDOR HERBS (HYDROSEED MIX)</b>	
<i>DEINANDA FASCICULATA</i>	FASCICLED TARWEED
<i>LASTHENIA GRACILIS</i>	COMMON GOLDFIELDS
<i>LUPINUS SUCCULENTUS</i>	ARROYO LUPINE
<i>PLANTAGO ERECTA</i>	DOT-SEED PLANTAIN
<i>STIPA LEPIDA</i>	FOOTHILL NEEDLE GRASS
<b>OTHER WEST FACING SLOPES AND HILLTOP SHRUBS AND SUBSHRUBS (HYDROSEED MIX)</b>	
<i>ACMISPON GLABER</i>	DEERWEED
<i>ARTEMISIA CALIFORNICA</i>	COASTAL SAGEBRUSH
<i>BAHIOPSIS LACINIATA</i>	SAN DIEGO SUNFLOWER
<i>ENCELIA CALIFORNICA</i>	CALIFORNIA ENCELIA
<i>ERIOGONUM FASCICULATUM</i> VAR. <i>FOLIOLOSUM</i>	INLAND CALIFORNIA BUCKWHEAT
<i>ERIOPHYLLUM CONFERTIFLORUM</i> VAR. <i>CONFERTIFLORUM</i>	LONG-STEM GOLDEN-YARROW
<i>SALVIA APIANA</i>	WHITE SAGE
<i>SALVIA MELLIFERA</i>	BLACK SAGE
<b>OTHER WEST FACING SLOPES AND HILLTOP HERBS (HYDROSEED MIX)</b>	
<i>DEINANDA FASCICULATA</i>	FASCICLED TARWEED
<i>LASTHENIA GRACILIS</i>	COMMON GOLDFIELDS
<i>LUPINUS SUCCULENTUS</i>	ARROYO LUPINE
<i>PLANTAGO ERECTA</i>	DOT-SEED PLANTAIN
<i>SALVIA COLUMARIAE</i>	CHIA
<i>STIPA LEPIDA</i>	FOOTHILL NEEDLE GRASS
<b>NORTH FACING SLOPE SHRUBS AND SUBSHRUBS (HYDROSEED MIX)</b>	
<i>ACMISPON GLABER</i>	DEERWEED
<i>ARTEMISIA CALIFORNICA</i>	COASTAL SAGEBRUSH
<i>BAHIOPSIS LACINIATA</i>	SAN DIEGO SUNFLOWER
<i>ENCELIA CALIFORNICA</i>	CALIFORNIA ENCELIA
<i>ERIOGONUM FASCICULATUM</i> VAR. <i>FOLIOLOSUM</i>	INLAND CALIFORNIA BUCKWHEAT
<i>ERIOPHYLLUM CONFERTIFLORUM</i> VAR. <i>CONFERTIFLORUM</i>	LONG-STEM GOLDEN-YARROW
<i>SALVIA APIANA</i>	WHITE SAGE
<i>SALVIA MELLIFERA</i>	BLACK SAGE
<b>NORTH FACING SLOPE SHRUBS AND SUBSHRUBS (50% 1 GALLON, 50% 5 GALLON)</b>	
<i>HETEROMELES ARBUTIFOLIA</i>	TOYON
<i>MALOSMA LAURINA</i>	LAUREL SUMAC
<i>RHUS INTEGRIFOLIA</i>	LEMONADEBERRY
<b>NORTH FACING SLOPE HERBS (HYDROSEED MIX)</b>	
<i>DEINANDA FASCICULATA</i>	FASCICLED TARWEED
<i>LASTHENIA GRACILIS</i>	COMMON GOLDFIELDS
<i>LUPINUS SUCCULENTUS</i>	ARROYO LUPINE
<i>PLANTAGO ERECTA</i>	DOT-SEED PLANTAIN
<i>STIPA LEPIDA</i>	FOOTHILL NEEDLE GRASS

PLANT IMAGE BOARD

SHEET: 6 OF 11

CITY OF SAN DIEGO PARK AND RECREATION DEPARTMENT

THE GENERAL DEVELOPMENT PLAN

CANYON HILLS

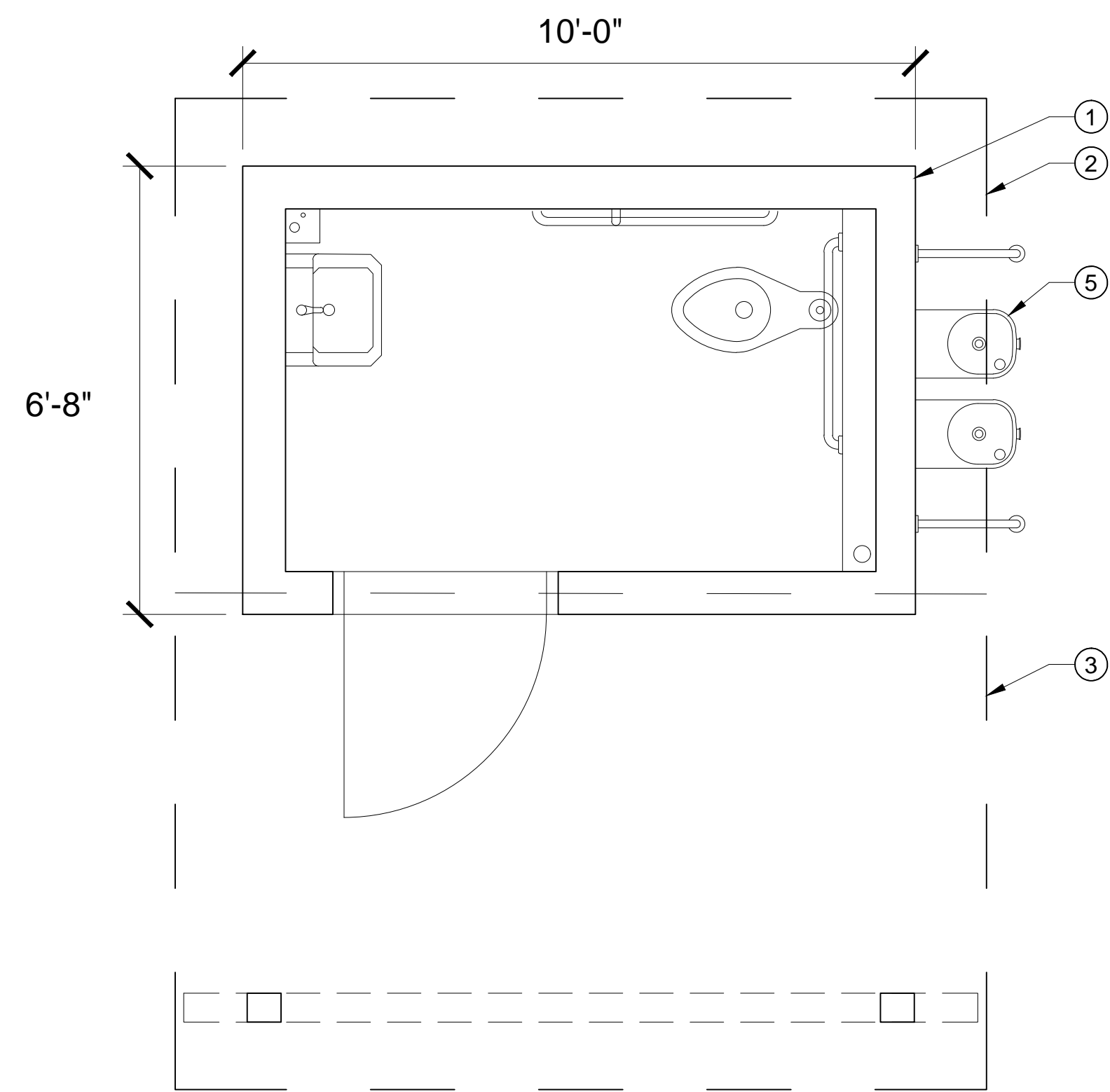
RESOURCE PARK







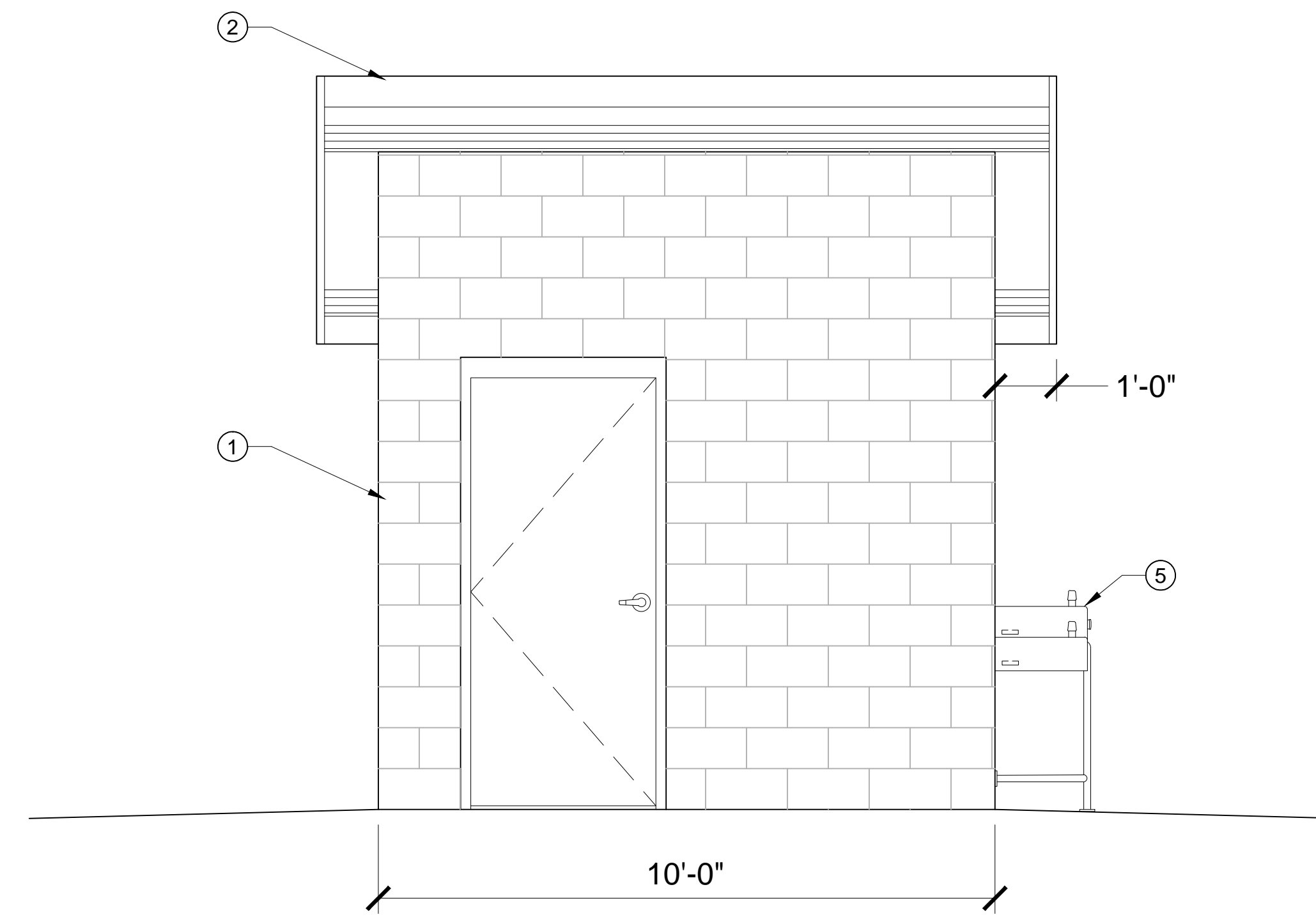
SINGLE STALL COMFORT STATION BY ROMTECH  
COMFORT STATION



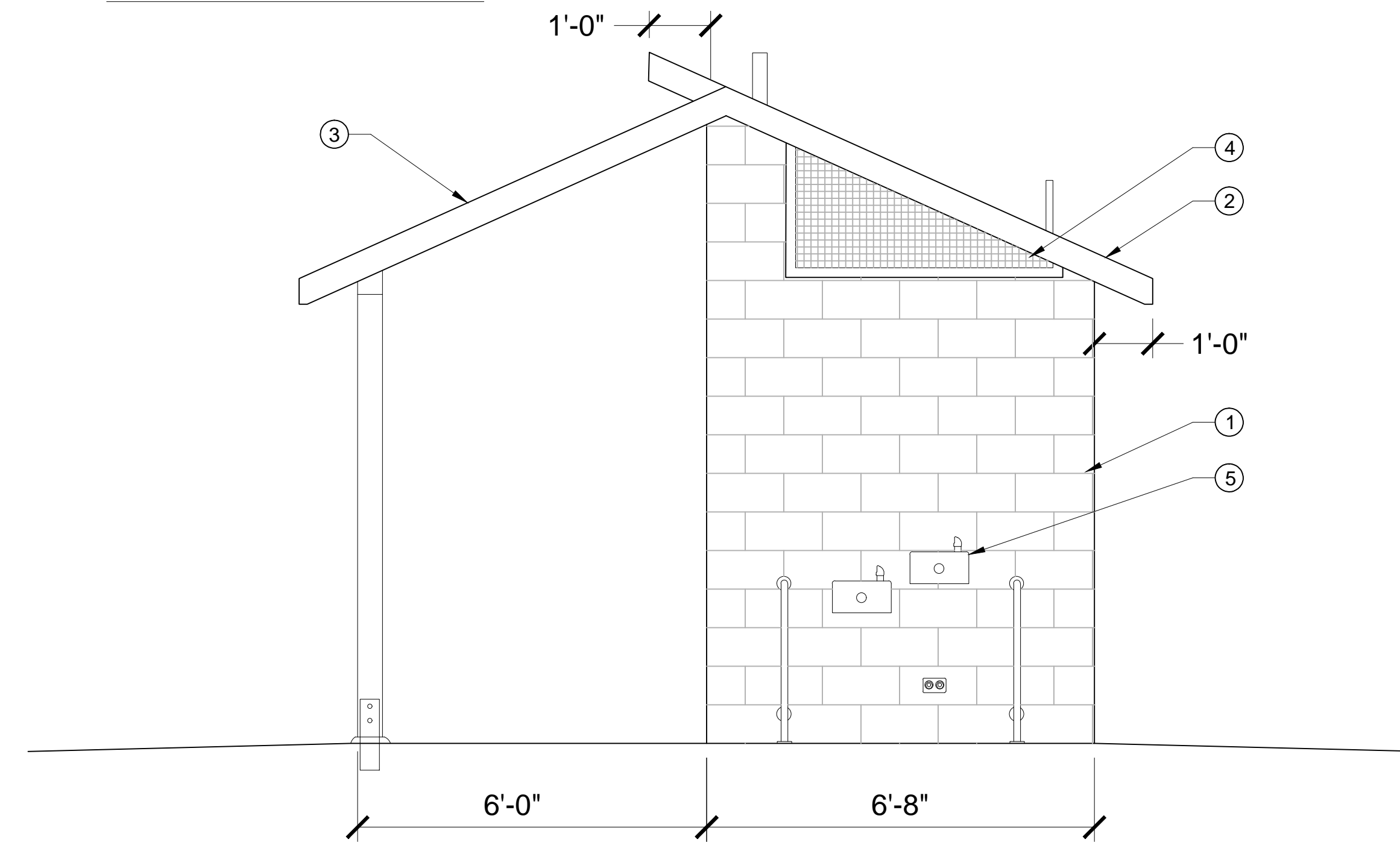
PLAN

LEGEND:

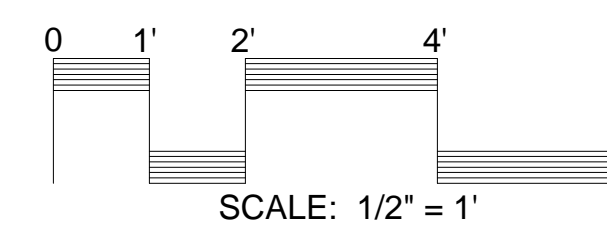
- ① 8" X 16" CMU SPLIT FACE CONCRETE BLOCK WALL  
FULLY REINFORCED RUNNING BOND PATTERN
- ② METAL ROOF
- ③ ROOF EXTENSION WITH METAL POSTS
- ④ WIRE MESH GABLE VENT
- ⑤ WATER FOUNTAIN



FRONT ELEVATION

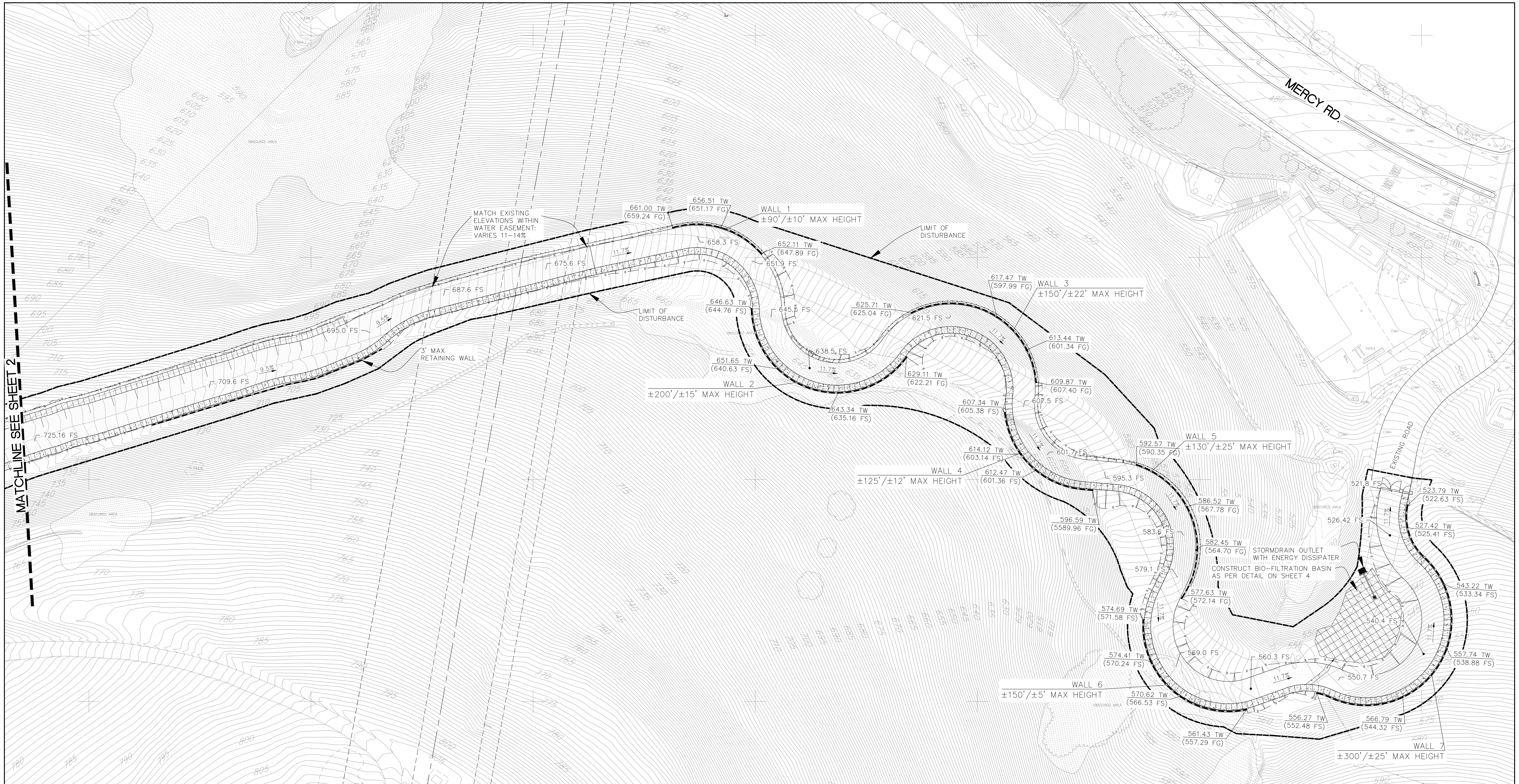


SIDE ELEVATION

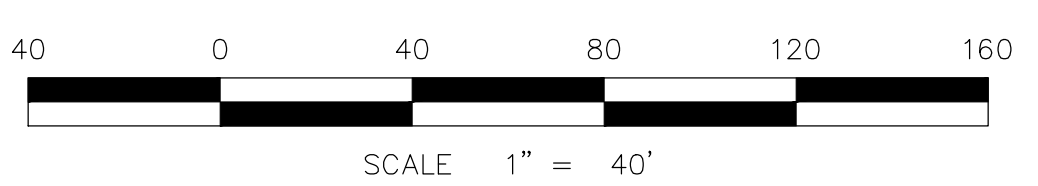


<b>COMFORT STATION</b>		SHEET: 7 OF 11
CITY OF SAN DIEGO PARK AND RECREATION DEPARTMENT		
THE GENERAL DEVELOPMENT PLAN		
<b>CANYON HILLS</b>		
RESOURCE PARK		
LAMBERT COORDINATES: 278-1731		THOMAS BROTHERS PAGE: 1209
		PSD S-15006





MATCHLINE SEE SHEET 2



**Nasland** Civil Engineering  
 Surveying  
 Land Planning  
 T (858) 292-7770  
 4740 Ruffner Street  
 San Diego, CA 92111  
 nasland.com



**PRELIMINARY GRADING PLAN** SHEET: 8 OF 11

CITY OF SAN DIEGO PARK AND RECREATION DEPARTMENT

THE GENERAL DEVELOPMENT PLAN

# CANYON HILLS

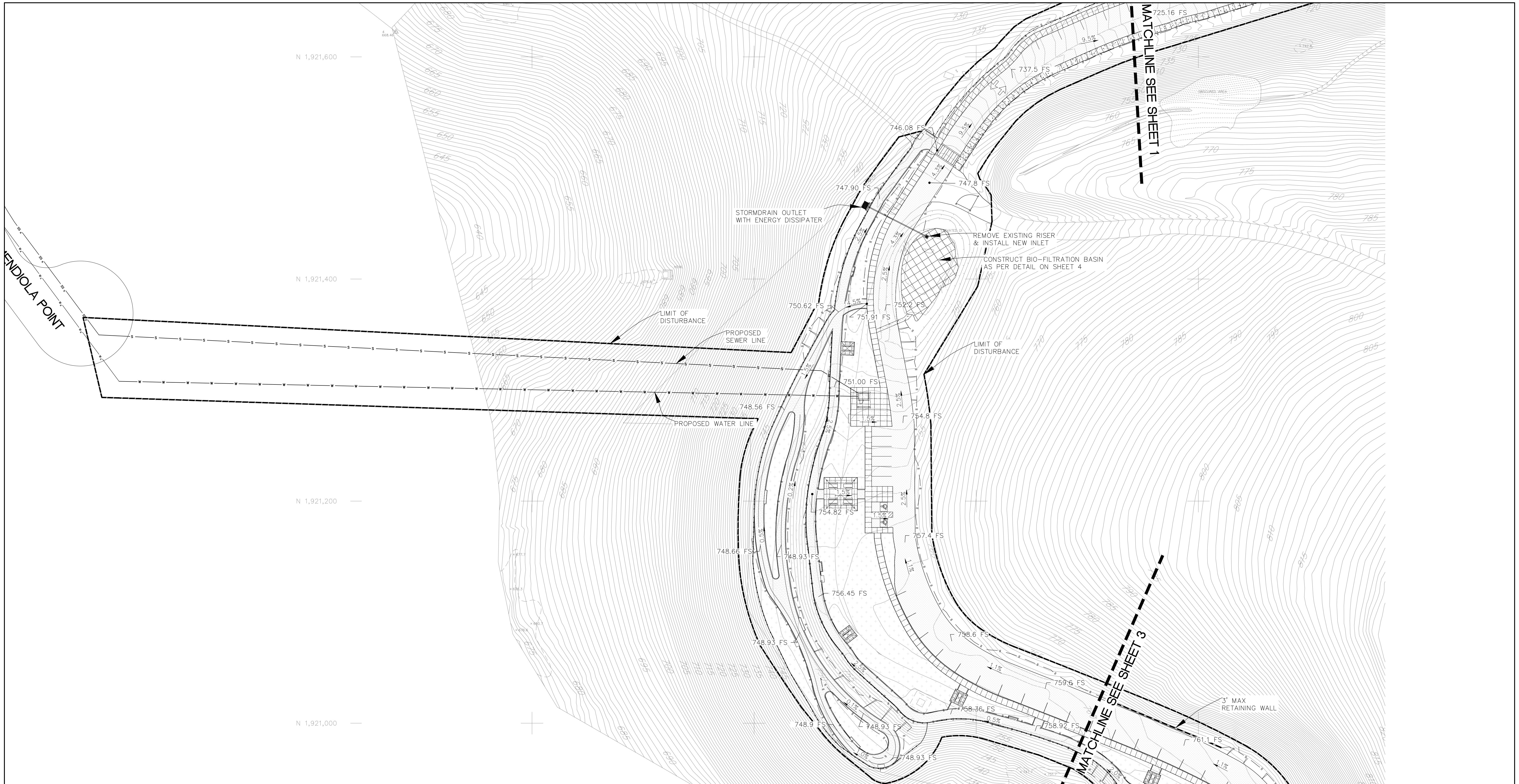
RESOURCE PARK

LAMBERT COORDINATES: 278-1731

THOMAS BROTHERS PAGE: 1209

PSD  
 S-15006





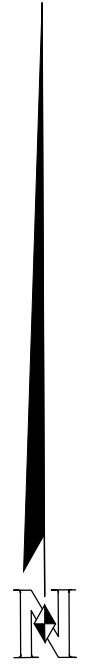
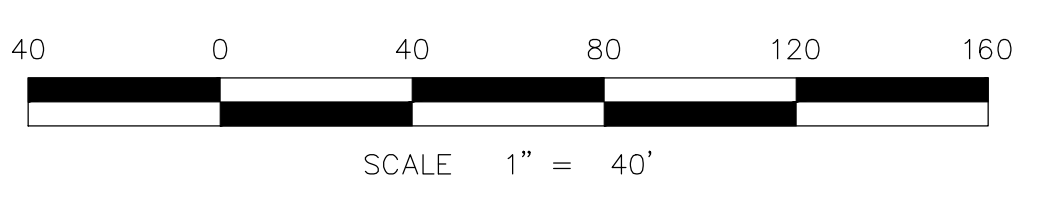
**PRELIMINARY GRADING PLAN SHEET: 9 OF 11**

CITY OF SAN DIEGO PARK AND RECREATION DEPARTMENT

THE GENERAL DEVELOPMENT PLAN

**CANYON HILLS**

RESOURCE PARK



**Nasland** Civil Engineering  
Surveying  
Land Planning

T (858) 292-7770  
4740 Ruffner Street  
San Diego, CA 92111  
nasland.com

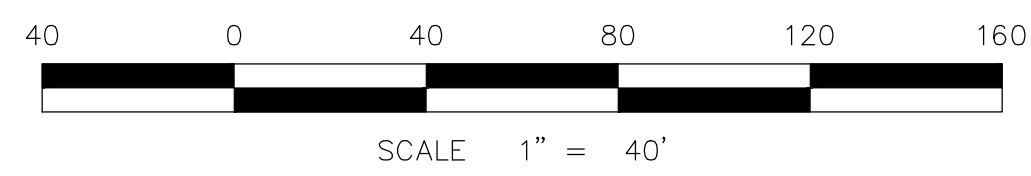
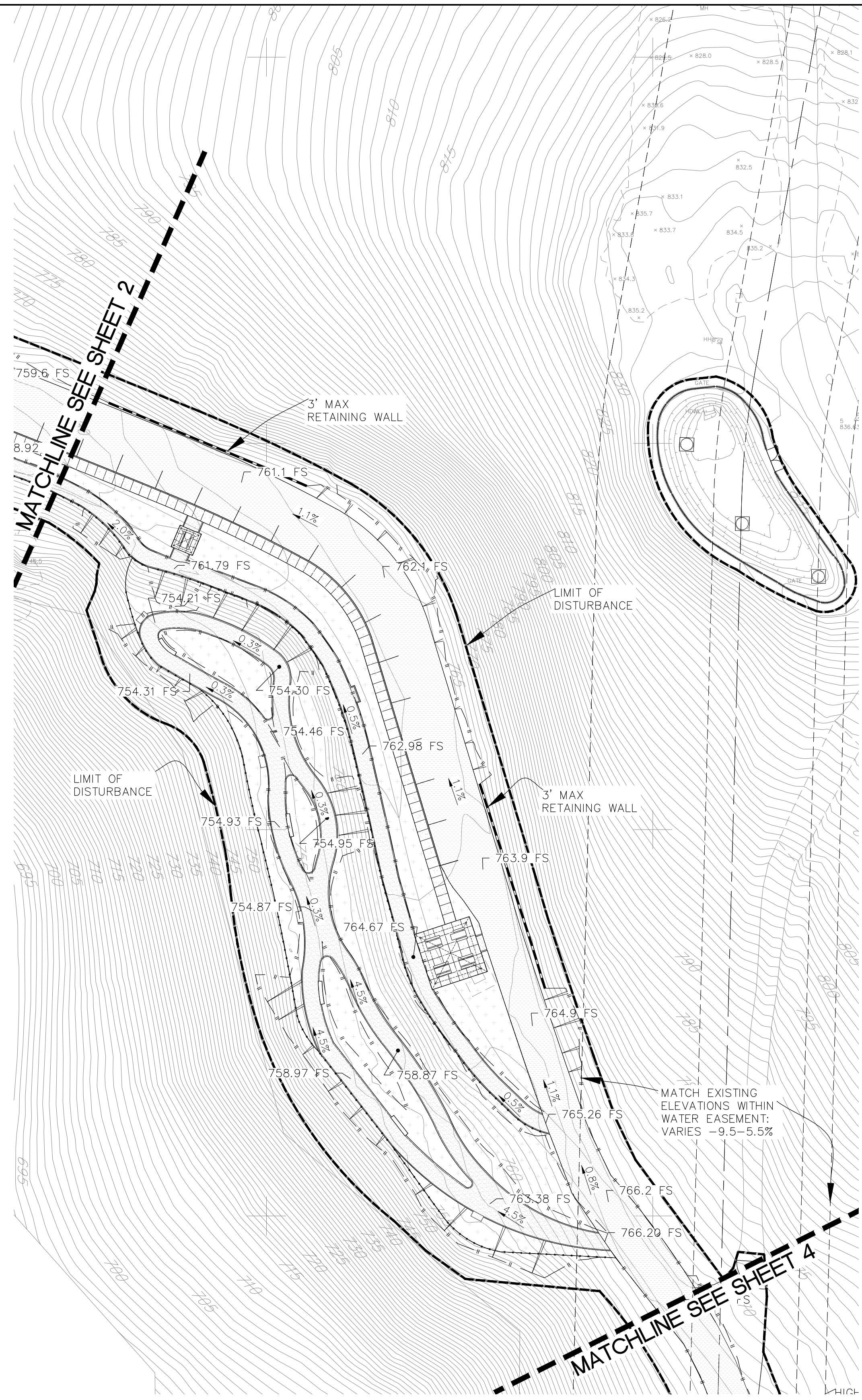


LAMBERT COORDINATES: 278-1731

THOMAS BROTHERS PAGE: 1209

PSD  
S-15006





**Nasland** Civil Engineering  
 Surveying  
 Land Planning

T (858) 292-7770  
 4740 Ruffner Street  
 San Diego, CA 92111  
 nasland.com



PRELIMINARY GRADING PLAN SHEET:10 OF 11

CITY OF SAN DIEGO PARK AND RECREATION DEPARTMENT

THE GENERAL DEVELOPMENT PLAN

# CANYON HILLS

RESOURCE PARK

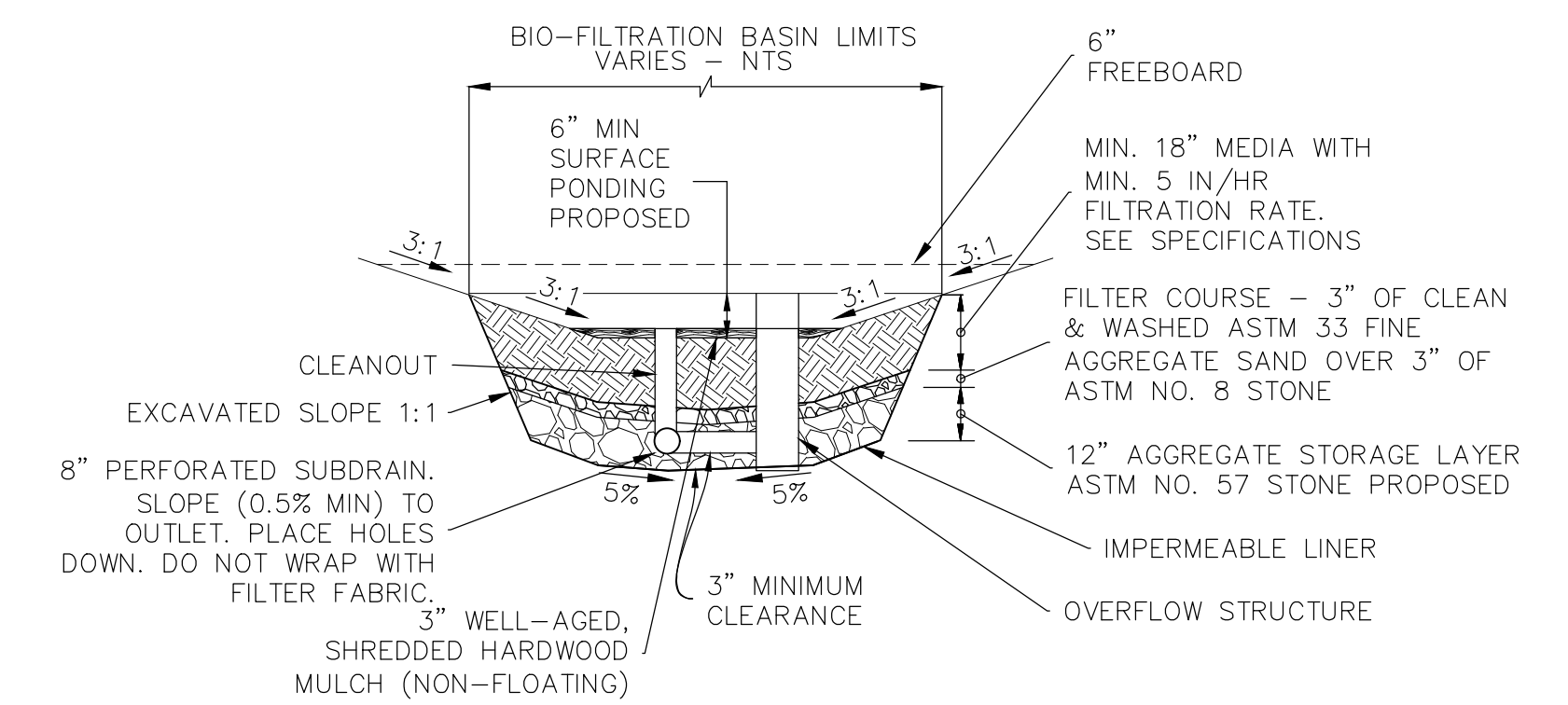
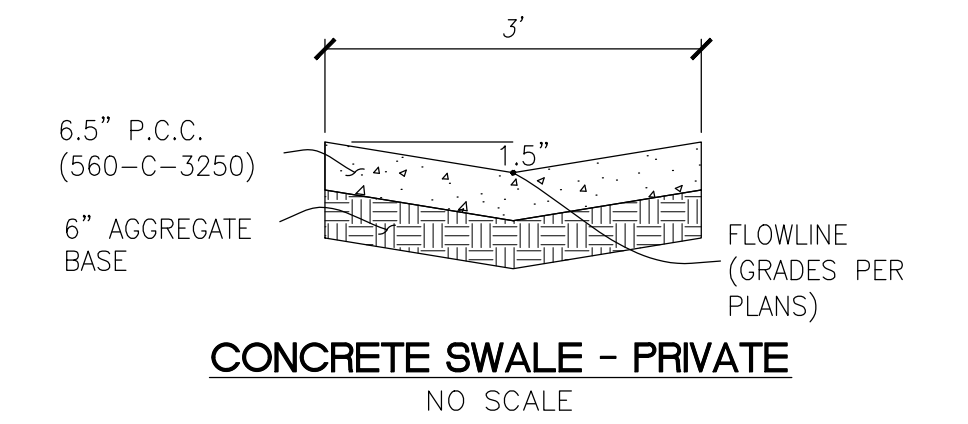
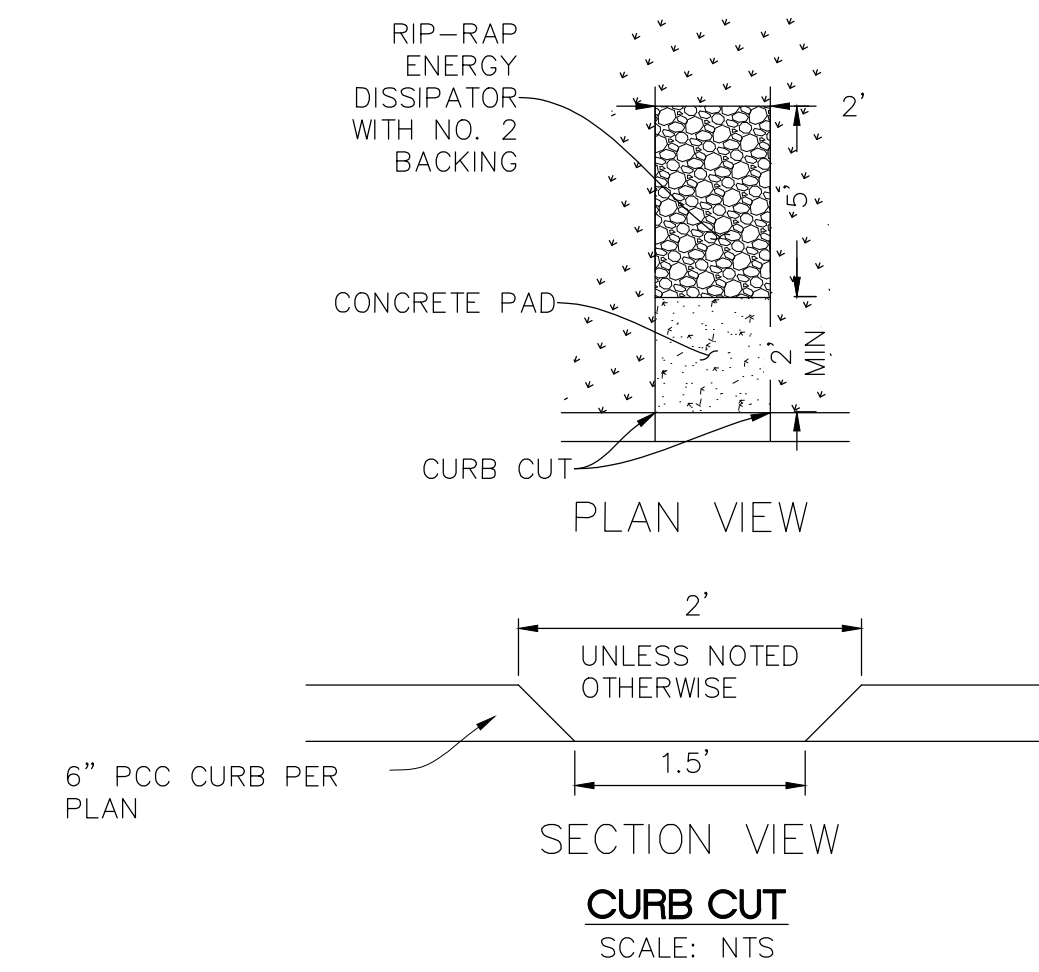
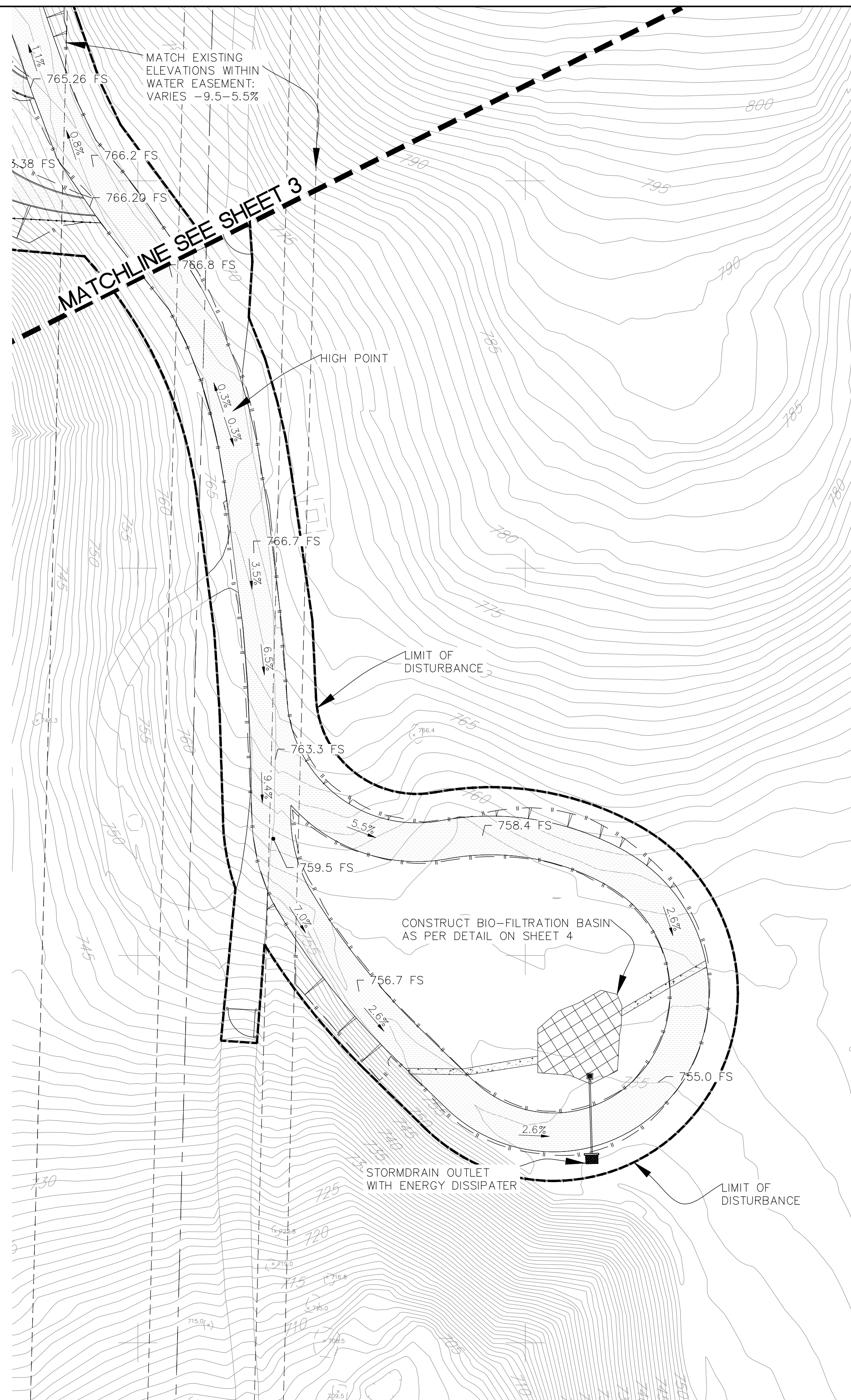
LAMBERT COORDINATES: 278-1731

THOMAS BROTHERS PAGE: 1209

PSD

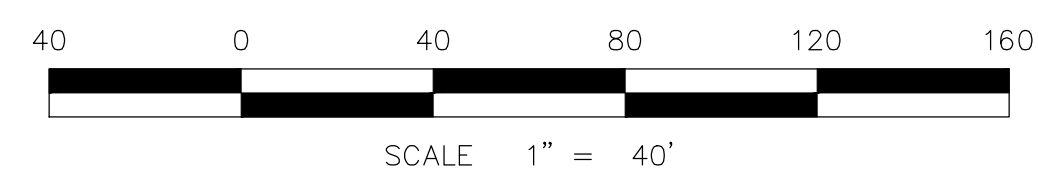
S-15006





NOTE: SEE LANDSCAPE AND IRRIGATION PLANS FOR PLANTING AND SURFACE FEATURES.

**BIOFILTRATION BASIN DETAIL**  
NOT TO SCALE



**Nasland** Civil Engineering  
Surveying  
Land Planning  
T (858) 292-7770  
4740 Ruffner Street  
San Diego, CA 92111  
nasland.com

