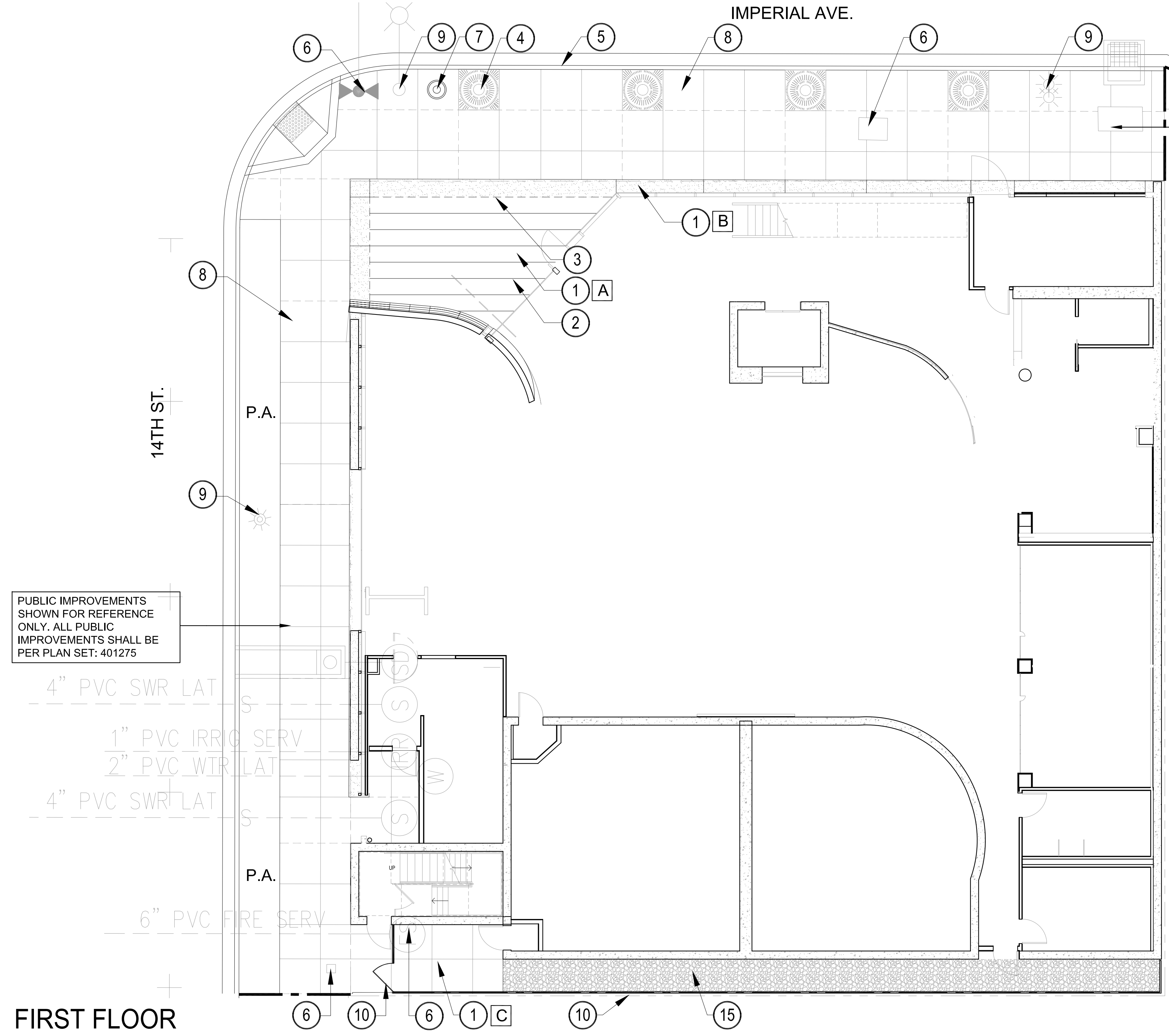


ALL IDEAS, DESIGN, ARRANGEMENTS AND PLANS INDICATED OR REPRESENTED BY THIS DRAWING ARE OWNED BY, AND THE PROPERTY OF, CARRIER JOHNSON + CULTURE AND WERE CREATED, DEVELOPED AND DESIGNED FOR USE ON, AND IN CONNECTION WITH, THIS PROJECT. NONE OF SUCH IDEAS, DESIGN, ARRANGEMENTS, OR PLANS SHALL BE USED BY OR DISCLOSED TO ANY PERSON, FIRM, OR CORPORATION FOR ANY PURPOSE WHATSOEVER WITHOUT THE WRITTEN PERMISSION OF CARRIER JOHNSON + CULTURE. FILING THESE DRAWINGS OR SPECIFICATIONS WITH ANY PUBLIC AGENCY IS NOT A PUBLICATION OF SAME. NO COPYING, REPRODUCTION OR USE THEREOF IS PERMISSIBLE WITHOUT THE CONSENT OF CARRIER JOHNSON + CULTURE.



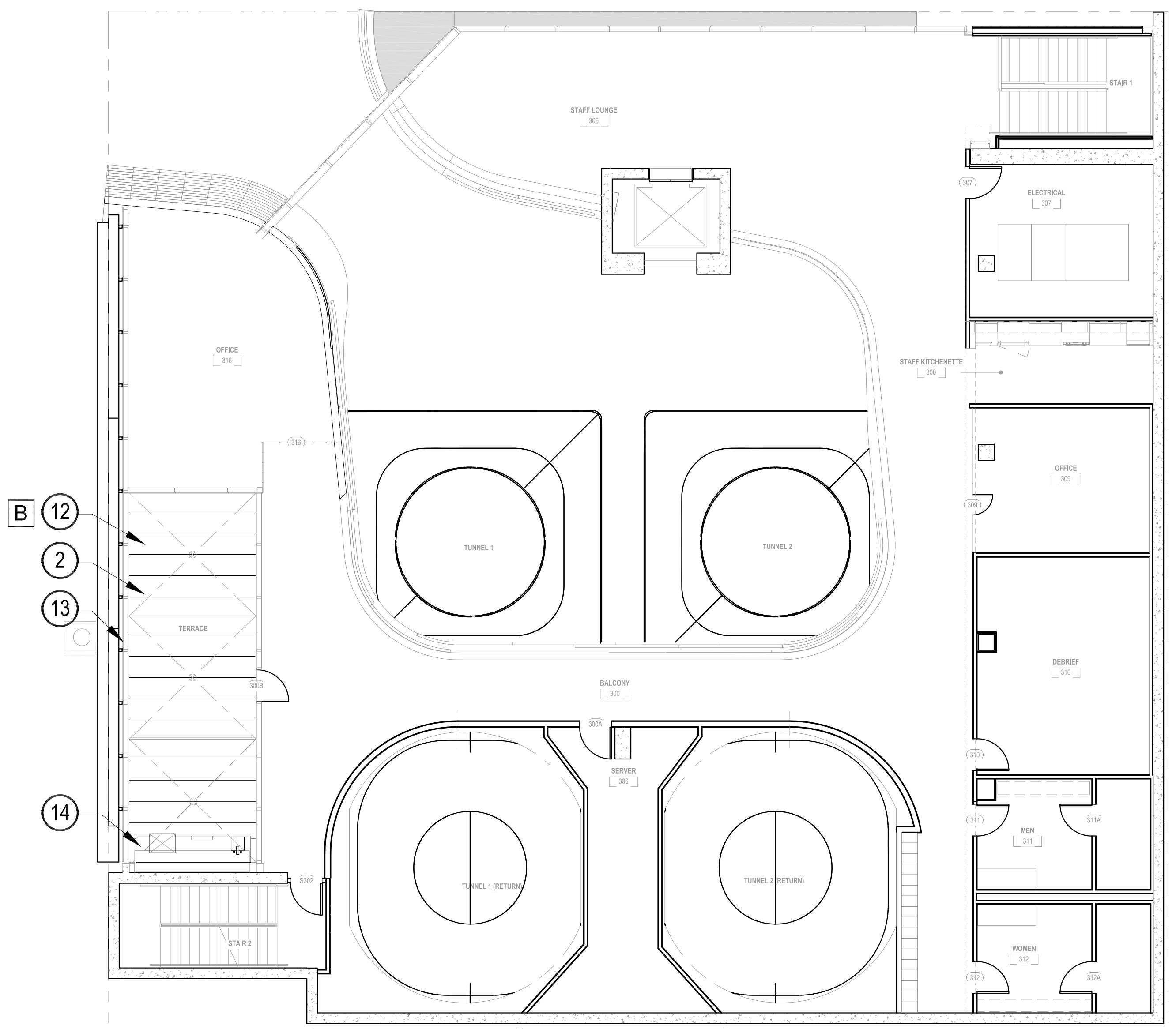
PUBLIC IMPROVEMENTS SHOWN FOR REFERENCE ONLY. ALL PUBLIC IMPROVEMENTS SHALL BE PER PLAN SET: 401275

PUBLIC IMPROVEMENTS SHOWN FOR REFERENCE ONLY. ALL PUBLIC IMPROVEMENTS SHALL BE PER PLAN SET: 401275

- HARDSCAPE LEGEND:**
- ① CONSTRUCT CONCRETE PAVING. SEE DETAIL A/L190.
 - ② CONSTRUCT CONCRETE SCORE JOINT (TYP). SEE DETAIL B/L190.
 - ③ CONSTRUCT CONCRETE EXPANSION JOINT (TYP). EXPANSION JOINTS SHALL BE CONSTRUCTED AT ALL CHANGES IN PAVING TYPE AND WHERE PAVING MEETS VERTICAL ELEMENTS (WALLS, SEATWALLS, STAIRS, ETC). 20'O.C. MAXIMUM. SEE DETAIL B/L190.
 - ④ FURNISH & INSTALL 5'x5' CCDC STANDARD TREE GRATE. SEE PUBLIC IMPROVEMENT PLANS.
 - ⑤ CURB/GUTTER. SEE CIVIL PLANS.
 - ⑥ UTILITIES. SEE CIVIL PLANS.
 - ⑦ INSTALL LITTER RECEPTACLE. SEE PUBLIC IMPROVEMENT PLANS.
 - ⑧ CONSTRUCT CONCRETE PAVING IN R.O.W. SEE PUBLIC IMPROVEMENT PLANS.
 - ⑨ INSTALL STREET LIGHTING. SEE CIVIL PLANS.
 - ⑩ FURNISH & INSTALL 6' HT. WIRE MESH METAL FENCE & GATE. SEE DETAIL F/L190.
 - ⑪ CONSTRUCT FLOW THROUGH PLANTER - EDGE FLUSH WITH FINISHED FLOOR. SEE ARCHITECTURAL PLANS & DETAILS.
 - ⑫ CONSTRUCT CONCRETE PAVING ON STRUCTURE. SEE DETAIL C/L190.
 - ⑬ CURTAIN WALL/GUARDRAIL. SEE ARCHITECTURAL PLANS.
 - ⑭ CONSTRUCT OUTDOOR KITCHEN COUNTER WITH BBQ, SINK & FRIDGE. SEE DETAIL E/L190.
 - ⑮ FURNISH AND INSTALL STABILIZED DECOMPOSED GRANITE, 'CALIFORNIA GOLD' FROM DECORATIVE STONE SOLUTIONS. www.decorativestonesolutions.com. SEE DETAIL E/L190.

- FINISH LEGEND:**
- [A] NATURAL GREY CONCRETE WITH MEDIUM EXPOSED AGGREGATE FINISH AND SAWCUT SCORE JOINTS. AGGREGATE: 3/8" CARROLL CANYON FROM KRC ROCK OR APPROVED EQUAL. THE AGGREGATE SHALL BE INTEGRALLY MIXED INTO THE CONCRETE AT THE CONCRETE BATCH PLANT. COVERED WITH PLASTIC SHEETING FOR APPROXIMATELY 12 HOURS AND WASHED WITH CLEAN WATER TO REMOVE CEMENT BETWEEN THE AGGREGATE IN A UNIFORM MANNER TO A DEPTH OF APPROXIMATELY 1/16 OF AN INCH.
 - [B] NATURAL GREY CONCRETE WITH LT. RETARDANT FINISH AND TOOLED SCORE JOINTS.
 - [C] NATURAL GREY WITH MEDIUM BROOM FINISH AND TOOLED SCORE JOINTS.

FIRST FLOOR



THIRD FLOOR

carrierjohnson + CULTURE
 architecture + environments + brand strategy + graphics
 1301 third avenue, san diego ca 92101
 phone 619.239.2363 fax 619.239.6227



AIRBORNE SAN DIEGO
1401 IMPERIAL AVENUE
SAN DIEGO, CA 92101

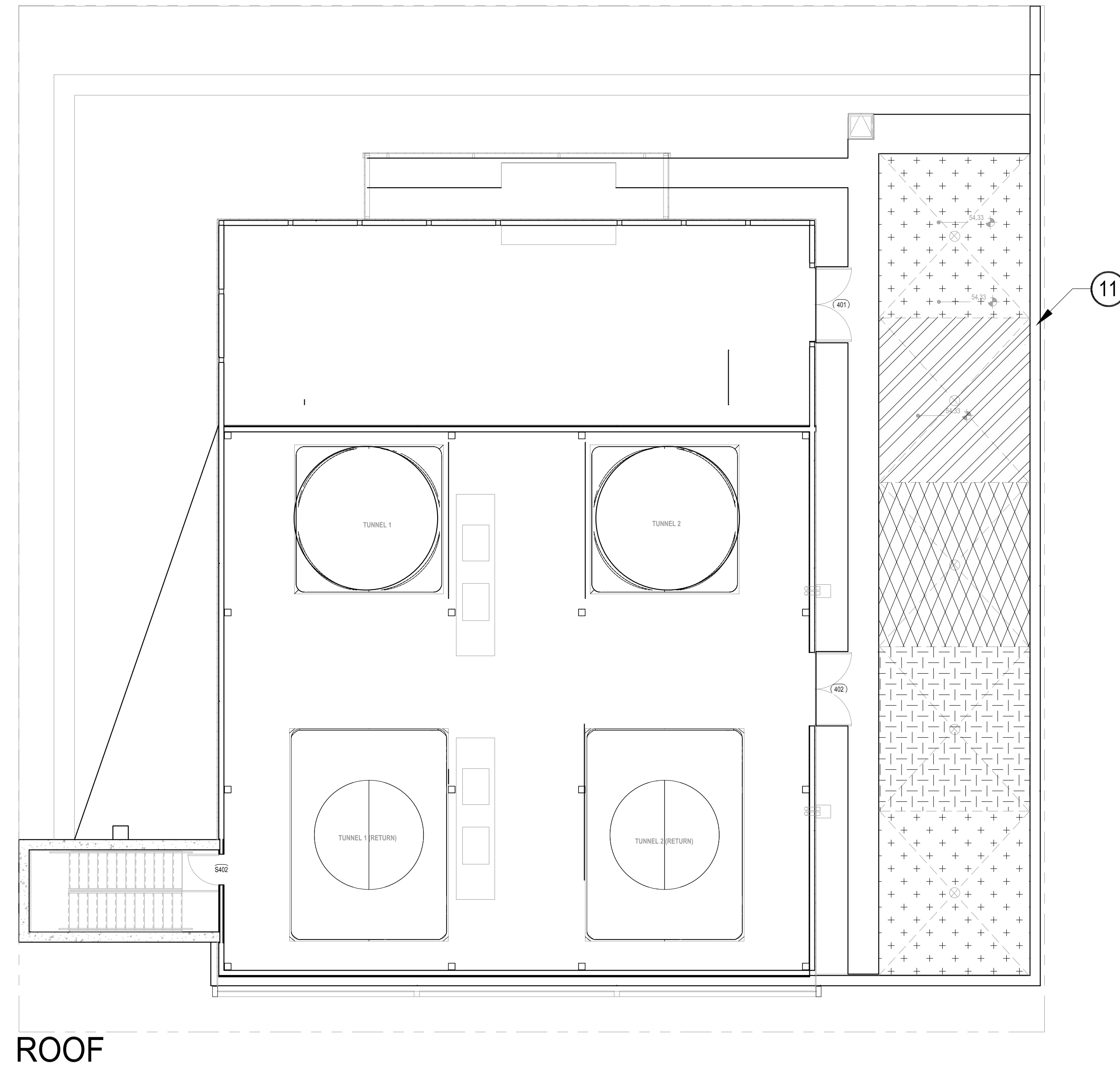
03-06-15 PLAN CHECK RESUBMITTAL
 12-05-14 PLAN CHECK SUBMITTAL
 11-11-14 CD PROGRESS
 10-01-14 DESIGN DEVELOPMENT
 08-20-14 SCHEMATIC DESIGN
 ISSUES:



PROJECT NO:
 FILENAME:
 DRAWN BY: CHECKED BY:
 PLOT DATE:
 03-19-15
 TITLE:
 LANDSCAPE
 CONSTRUCTION
 PLAN - FIRST FLOOR
 & THIRD FLOOR

DRAWING NO:
L100

ALL IDEAS, DESIGN, ARRANGEMENTS AND PLANS INDICATED OR REPRESENTED BY THIS DRAWING ARE OWNED BY AND THE PROPERTY OF CARRIER JOHNSON + CULTURE AND WERE CREATED, ENJOINED AND DEVELOPED FOR USE ON, AND IN CONNECTION WITH THIS PROJECT. NONE OF SUCH IDEAS, DESIGN, ARRANGEMENTS, OR PLANS SHALL BE USED BY OR DISCLOSED TO ANY PERSON, FIRM, OR CORPORATION FOR ANY PURPOSE WHATSOEVER WITHOUT THE WRITTEN PERMISSION OF CARRIER JOHNSON + CULTURE. FILING THESE DRAWINGS OR SPECIFICATIONS WITH ANY PUBLIC AGENCY IS NOT A PUBLICATION OF SAME. NO COPYING, REPRODUCTION OR USE THEREOF IS PERMISSIBLE WITHOUT THE CONSENT OF CARRIER JOHNSON + CULTURE.



- HARDSCAPE LEGEND:**
- ① CONSTRUCT CONCRETE PAVING. SEE DETAIL A/L190.
 - ② CONSTRUCT CONCRETE SCORE JOINT (TYP). SEE DETAIL B/L190.
 - ③ CONSTRUCT CONCRETE EXPANSION JOINT (TYP). EXPANSION JOINTS SHALL BE CONSTRUCTED AT ALL CHANGES IN PAVING TYPE AND WHERE PAVING MEETS VERTICAL ELEMENTS (WALLS, SEATWALLS, STAIRS, ETC). 20'O.C. MAXIMUM. SEE DETAIL B/L190.
 - ④ FURNISH & INSTALL 5'x5' CCDC STANDARD TREE GRATE. SEE PUBLIC IMPROVEMENT PLANS.
 - ⑤ CURB/GUTTER. SEE CIVIL PLANS.
 - ⑥ UTILITIES. SEE CIVIL PLANS.
 - ⑦ INSTALL LITTER RECEPTACLE. SEE PUBLIC IMPROVEMENT PLANS.
 - ⑧ CONSTRUCT CONCRETE PAVING IN R.O.W. SEE PUBLIC IMPROVEMENT PLANS.
 - ⑨ INSTALL STREET LIGHTING. SEE CIVIL PLANS.
 - ⑩ FURNISH & INSTALL 6' HT. WIRE MESH METAL FENCE & GATE. SEE DETAIL F/L190.
 - ⑪ CONSTRUCT FLOW THROUGH PLANTER - EDGE FLUSH WITH FINISHED FLOOR. SEE ARCHITECTURAL PLANS & DETAILS.
 - ⑫ CONSTRUCT CONCRETE PAVING ON STRUCTURE. SEE DETAIL C/L190.
 - ⑬ CURTAIN WALL/GUARDRAIL. SEE ARCHITECTURAL PLANS.
 - ⑭ CONSTRUCT OUTDOOR KITCHEN COUNTER WITH BBQ, SINK & FRIDGE. SEE DETAIL E/L190.
 - ⑮ FURNISH AND INSTALL STABILIZED DECOMPOSED GRANITE. 'CALIFORNIA GOLD' FROM DECORATIVE STONE SOLUTIONS. www.decorativestonesolutions.com. SEE DETAIL E/L190.

- FINISH LEGEND:**
- A] NATURAL GREY CONCRETE WITH MEDIUM EXPOSED AGGREGATE FINISH AND SAWCUT SCORE JOINTS. AGGREGATE: 3/8" CARROLL CANYON FROM KRC ROCK OR APPROVED EQUAL. THE AGGREGATE SHALL BE INTEGRALLY MIXED INTO THE CONCRETE AT THE CONCRETE BATCH PLANT, COVERED WITH PLASTIC SHEETING FOR APPROXIMATELY 12 HOURS AND WASHED WITH CLEAN WATER TO REMOVE CEMENT BETWEEN THE AGGREGATE IN A UNIFORM MANNER TO A DEPTH OF APPROXIMATELY 1/16 OF AN INCH.
 - B] NATURAL GREY CONCRETE WITH LT. RETARDANT FINISH AND TOOLED SCORE JOINTS.
 - C] NATURAL GREY WITH MEDIUM BROOM FINISH AND TOOLED SCORE JOINTS.

PLANT LEGEND

SHRUBS, GROUNDCOVERS AND VINES				
SYMBOL	BOTANICAL/ COMMON NAME	SIZE	MATURE HEIGHT/SPREAD	FORM/ FUNCTION
	MUHLENBERGIA RIGENS DEER GRASS	5 GAL.	3'x3'	TEXTURE/ACCENT GRASS
	ACHILLEA MILLEFOLIUM COMMON YARROW	1 GAL.	3'x2'	ACCENT/GROUNDCOVER
	BOUTELOUA GRACILIS BLUE GRAMA	1 GAL.	1'x1'	TEXTURE ACCENT GRASS
	SISYRINCHIUM BELLUM BLUE-EYED GRASS	1 GAL.	18"x18"	ACCENT/GROUNDCOVER



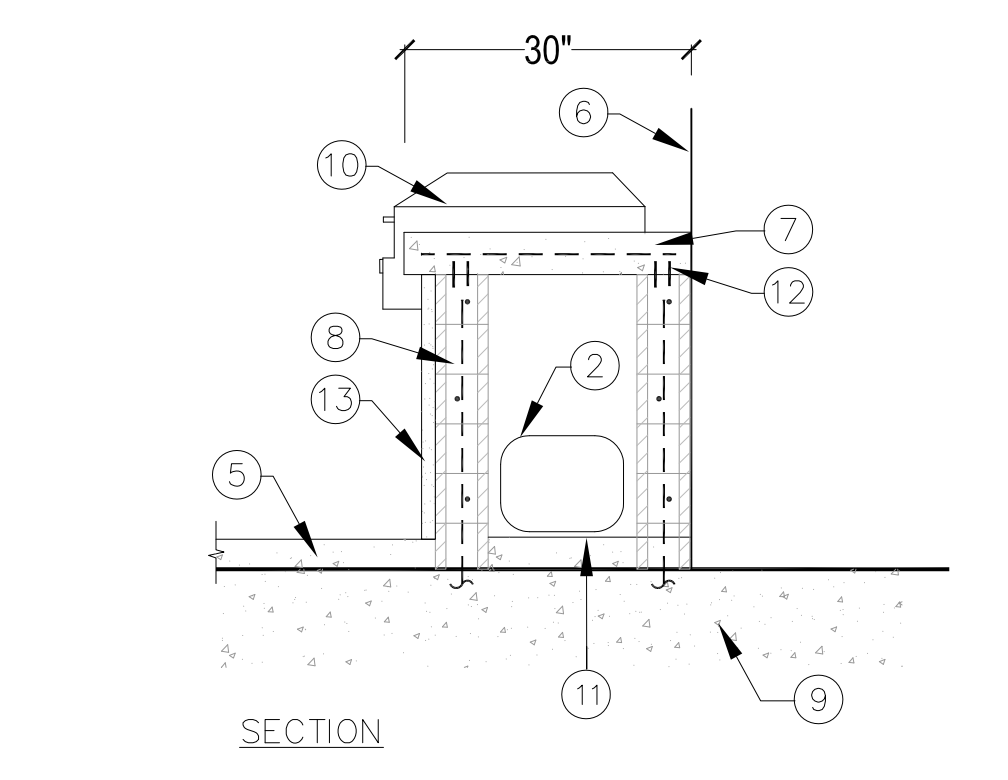
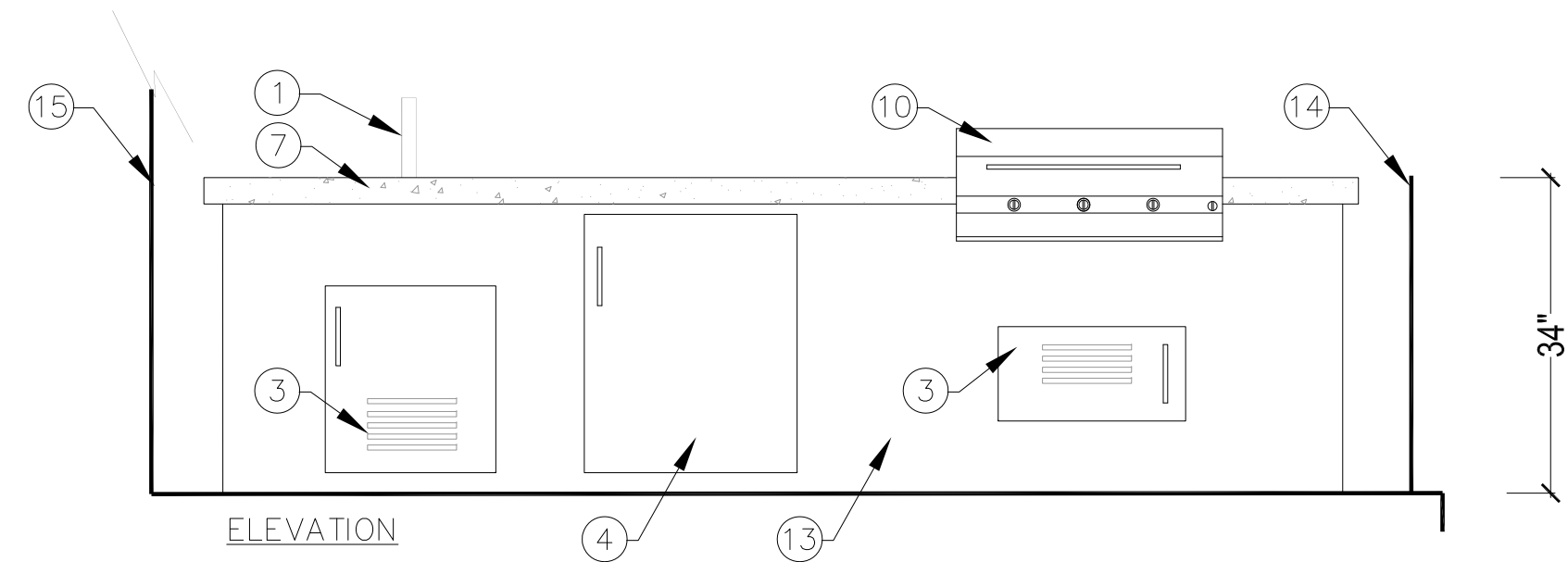
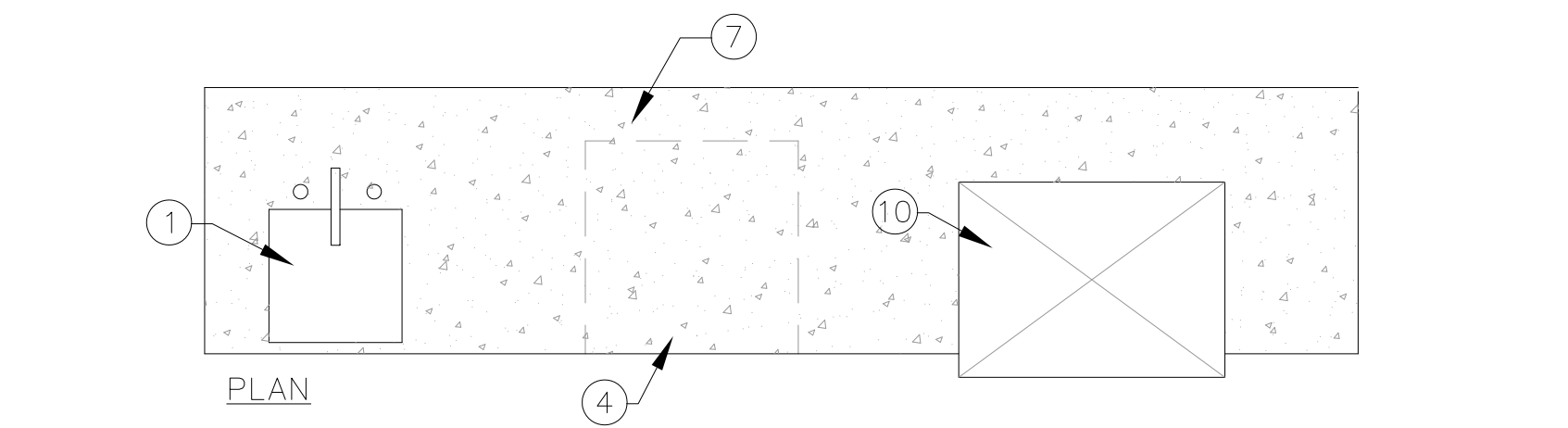
03-06-15 PLAN CHECK RESUBMITTAL
 12-05-14 PLAN CHECK SUBMITTAL
 11-11-14 CD PROGRESS
 10-01-14 DESIGN DEVELOPMENT
 08-20-14 SCHEMATIC DESIGN
 ISSUES:



PROJECT NO: _____
 FILENAME: _____
 DRAWN BY: _____ CHECKED BY: _____
 PLOT DATE: 03-19-15
 TITLE:
 LANDSCAPE
 CONSTRUCTION /
 PLANTING PLAN -
 ROOF

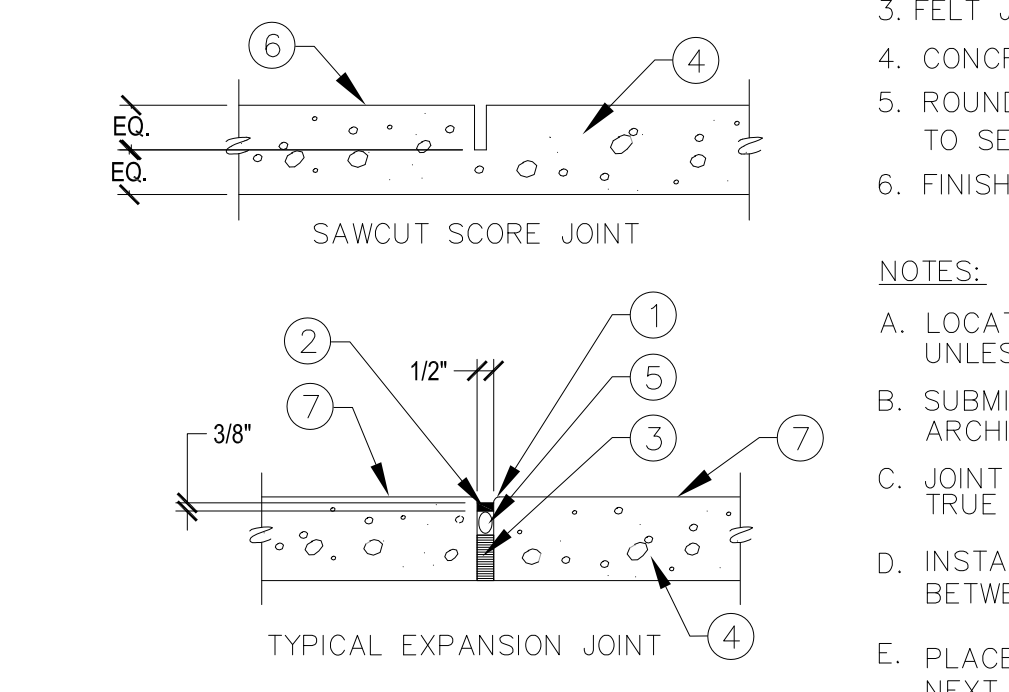
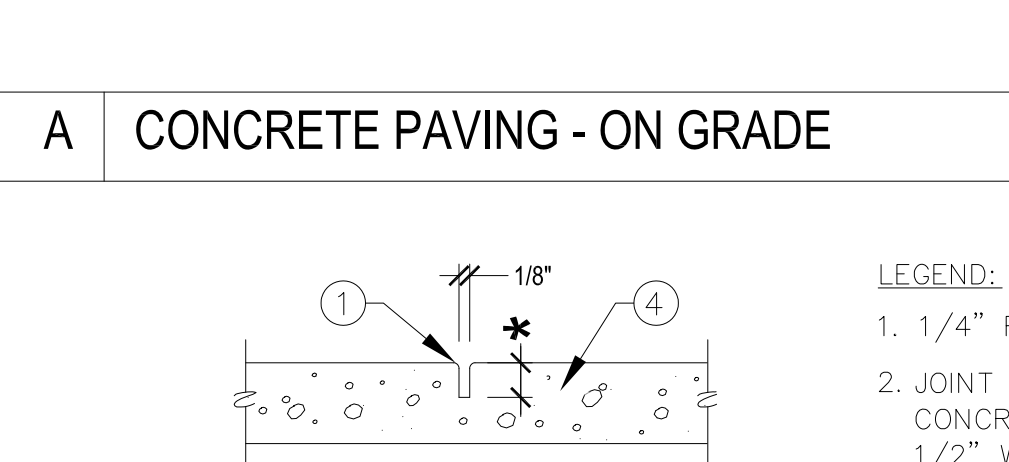
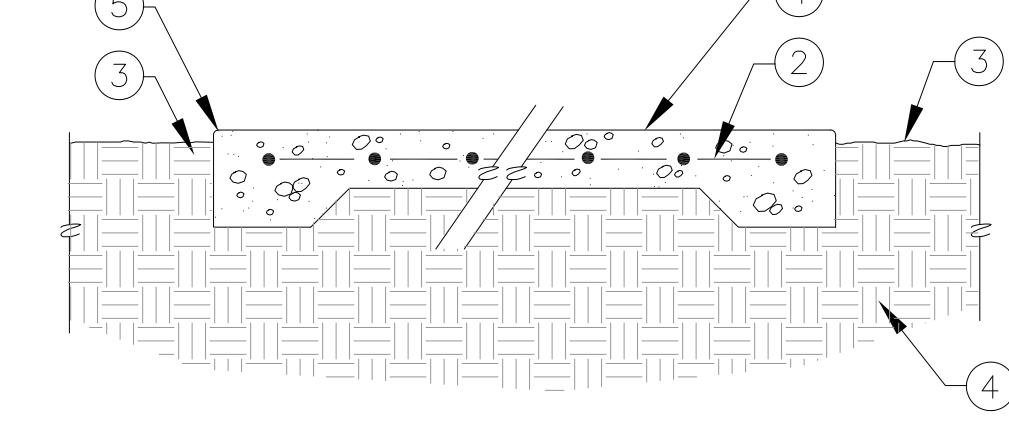
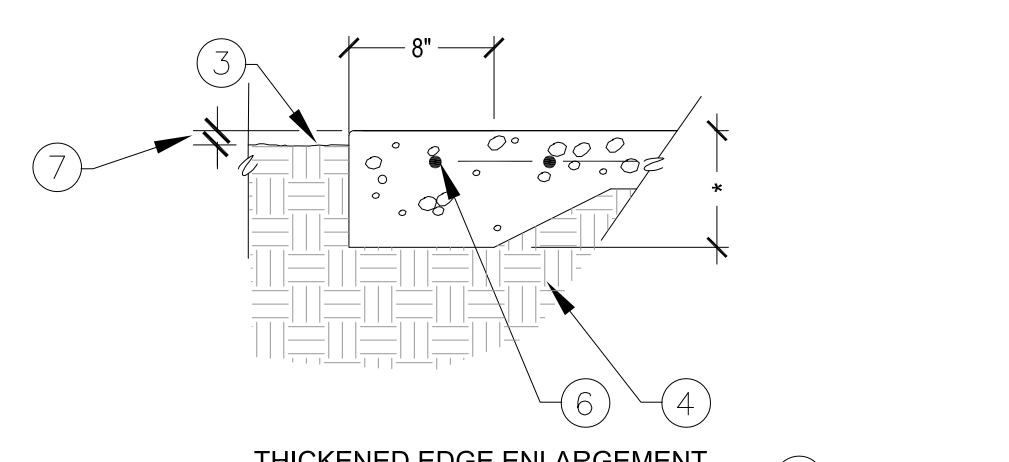
DRAWING NO: _____

ALL IDEAS, DESIGN, ARRANGEMENTS AND PLANS INDICATED OR REPRESENTED BY THIS DRAWING ARE OWNED BY, AND THE PROPERTY OF CARRIER JOHNSON + CULTURE AND WERE CREATED, EVOLVED AND DEVELOPED FOR USE ON, AND IN CONNECTION WITH THIS PROJECT. NONE OF SUCH IDEAS, DESIGN, ARRANGEMENTS, OR PLANS SHALL BE USED BY, OR DISCLOSED TO ANY PERSON, FIRM, OR CORPORATION FOR ANY PURPOSE WHATSOEVER WITHOUT THE WRITTEN PERMISSION OF CARRIER JOHNSON + CULTURE. FILING THESE DRAWINGS OR SPECIFICATIONS WITH ANY PUBLIC AGENCY IS NOT A PUBLICATION OF SAME. NO COPYING, REPRODUCTION OR USE THEREOF IS PERMISSIBLE WITHOUT THE CONSENT OF CARRIER JOHNSON + CULTURE.



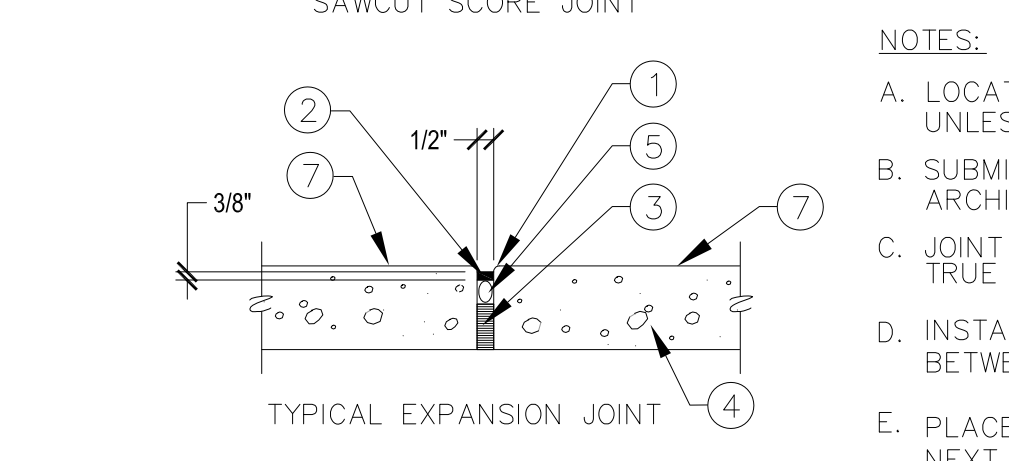
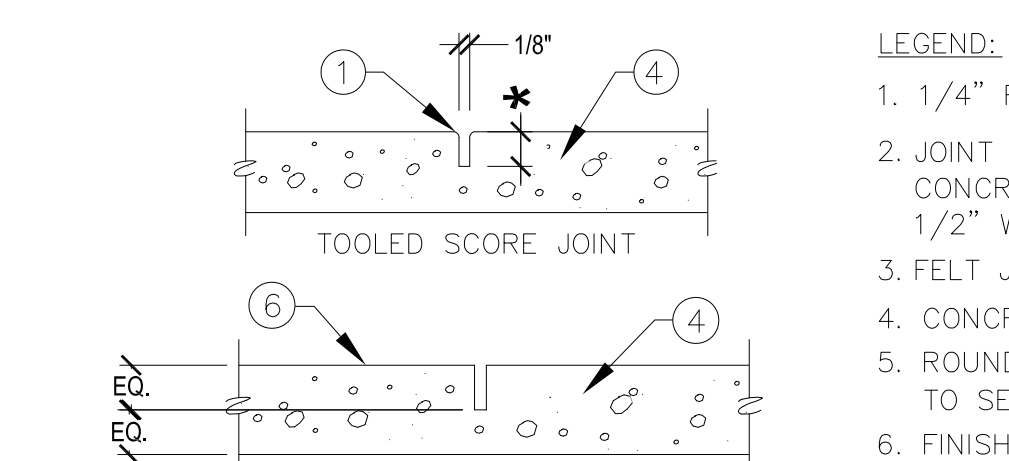
- LEGEND:**
1. OUTDOOR SINK & FAUCET. MODEL: BY SUBMITTAL & PENDING OWNER APPROVAL.
 2. PROPANE TANK STORAGE, PER ALL APPLICABLE LOCAL CODES.
 3. STAINLESS STEEL STORAGE/ACCESS DOORS WITH LOUVERS FOR VENTING.
 4. OUTDOOR REFRIGERATOR. MODEL: BY SUBMITTAL & PENDING OWNER APPROVAL.
 5. ADJACENT CONCRETE TOPPING SLAB.
 6. ADJACENT BUILDING WALL.
 7. 3.5" THICK P.I.P. CONCRETE COUNTERTOP WITH EXPOSED CRUSHED GLASS AGGREGATE & POLISHED FINISH. PROVIDE SAMPLE.
 8. CMU WALL WITH #4 REBAR EVERY OTHER CELL. GROUT-FILL ALL CELLS.
 9. STRUCTURAL DECK. SEE STRUCTURAL/ARCH'S DWGS.
 10. STAINLESS STEEL PROPANE BBQ UNIT. MODEL: BY SUBMITTAL & PENDING OWNER'S APPROVAL.
 11. CONC. TOPPING SLAB INSIDE - SET NO LOWER THAN ADJACENT OUTSIDE TOPPING SLAB.
 12. 4" STEEL DOWELS.
 13. FINISH TO MATCH ARCHITECTURE.
 14. ADJACENT RAILING, SEE ARCHITECTURE PLANS.
 15. ADJACENT WALL, SEE ARCHITECTURE PLANS.
- NOTES:**
1. MAINTAIN 30" CLEARANCE BETWEEN BBQ AND ANY WOOD SURFACES.
 2. INSTALL BBQ PER MANUFACTURER'S RECOMMENDATION & FIRE DEPT. CODE.
 3. LOUVERS ON BBQ MUST REMAIN UNOBSTRUCTED TO ALLOW FOR COMBUSTION AIR.
 4. OUTER LIPS OF BBQ SHALL REST ON EDGE OF COUNTERTOP.
 5. INSTALL A.G.A. APPROVED NATURAL GAS REGULATOR.
 6. INSTALL 1/2" - 1/2" NPT SHUT-OFF VALVE.
 7. MAINTAIN 14" CLEARANCE FROM SIDE & BOTTOM OF GRILL AND 16" CLEARANCE FROM BACK OF GRILL TO COMBUSTIBLE CONSTRUCTION MATERIALS.
 8. ACCESS MUST BE PROVIDED TO SHUT-OFF VALVE.

E BBQ COUNTER NTS



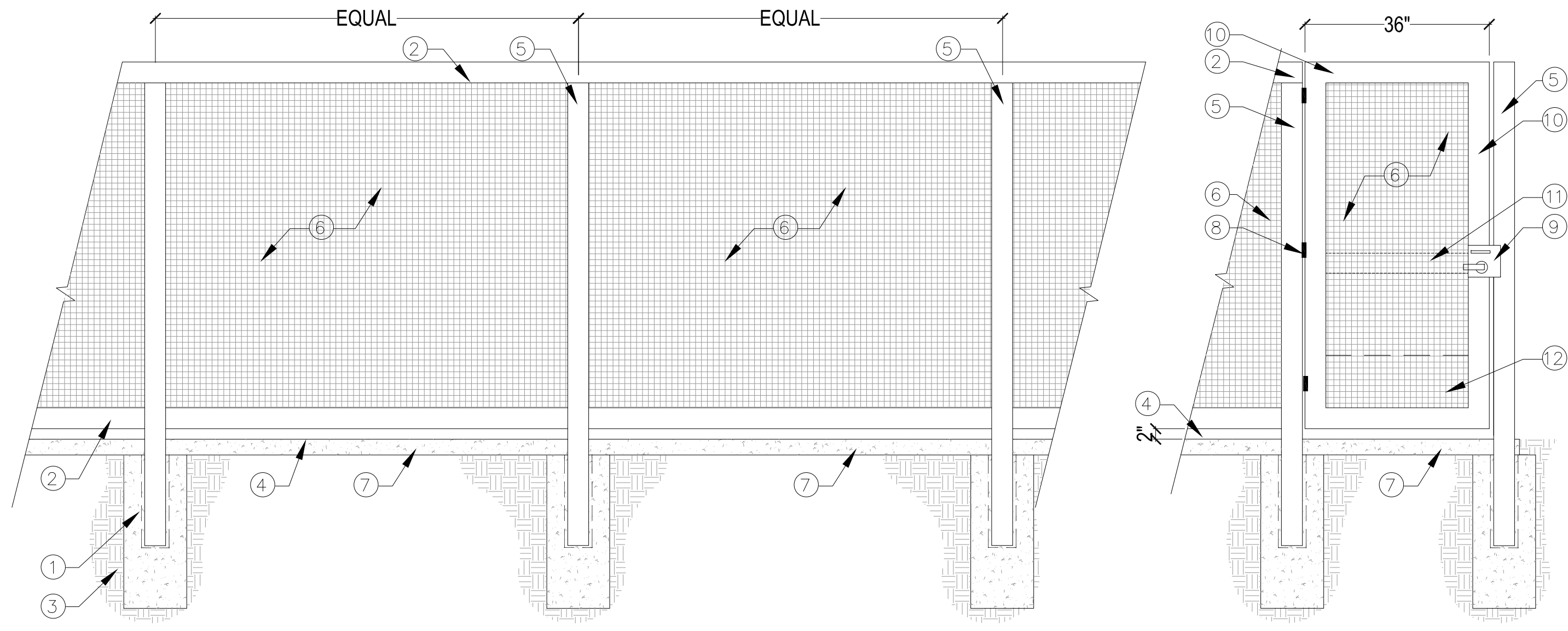
- LEGEND:**
1. CONCRETE PAVING - REFER TO LANDSCAPE CONSTRUCTION PLAN FOR COLOR & FINISH.
 2. #3 REBAR AT 18" O.C., EACH WAY, CENTERED IN SLAB.
 3. FINISH GRADE.
 4. 90% COMPACTED SUBGRADE.
 5. 1/4" TOOLED RADIUS.
 6. #3 REBAR, CONTINUOUS, 18" O.C.
 7. DEPRESS FINISH GRADE 1 1/2" IN SHRUB/GROUND COVER AREAS.
- * KEY SHALL BE 2" DEEPER THAN REST OF CONCRETE.
- NOTES:**
- PAVING THICKNESS, BASE PREPARATION AND REINFORCING ARE SHOWN FOR BID PURPOSES ONLY. CONFIRM WITH GEOTECHNICAL REPORT AND COMPLY.
 - 5" MIN. DEPTH @ PEDESTRIAN CONCRETE.
 - REFER TO GEOTECHNICAL REPORT FOR VEHICULAR PAVING DEPTHS.
 - PROVIDE FINISH SAMPLES FOR REVIEW BY LANDSCAPE ARCHITECT AND OWNER'S REPRESENTATIVE.

A CONCRETE PAVING - ON GRADE NTS



- LEGEND:**
1. 1/4" RADIUS TOOLED EDGE.
 - JOINT SEALANT, 1/4" MAX BELOW TOP OF CONCRETE, 1/4"-1/2" MAX THICKNESS, 1/2" WIDTH TO MATCH JOINT WIDTH.
 - FELT JOINT FILLER.
 - CONCRETE PAVING, SEE DETAIL A, THIS SHEET.
 - ROUNDED BACKER ROAD, WITH NO BOND TO SEALANT.
 - FINISH SURFACE.
- NOTES:**
- LOCATE JOINTS PER SPECIFICATIONS UNLESS OTHERWISE INDICATED ON PLAN.
 - SUBMIT SEALANT COLOR TO LANDSCAPE ARCHITECT.
 - JOINT EDGES SHALL BE STRAIGHT, TRUE WITH NO SHATTER.
 - INSTALL DOWELED EXPANSION JOINT BETWEEN SEPARATE CONCRETE POURS.
 - PLACE EXPANSION PAPER AND SEALANT NEXT TO ALL BUILDINGS AND AT BACK OF CURB.

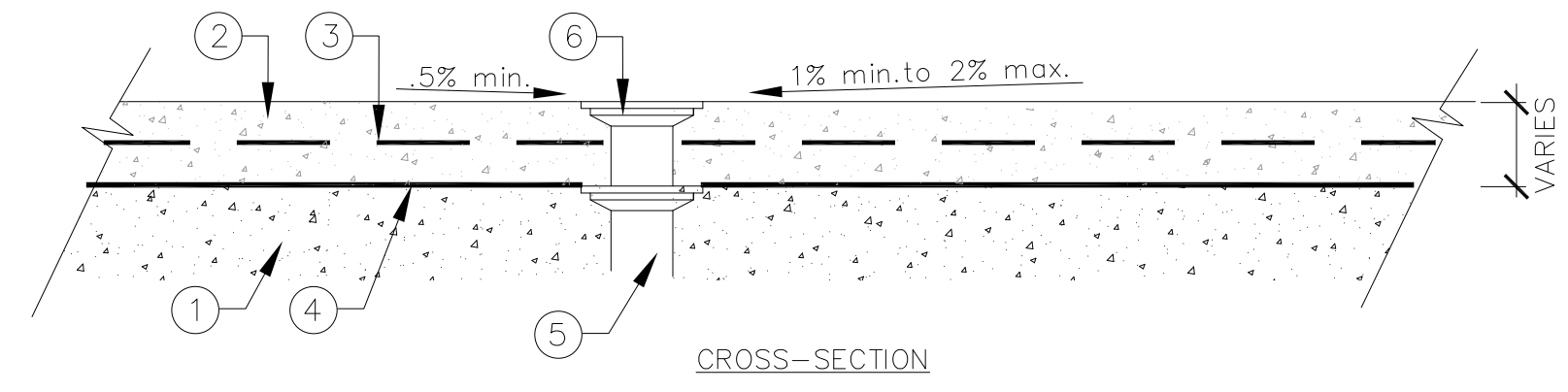
B CONCRETE JOINTS NTS



- LEGEND:**
1. 12" DIA. x 36" DEEP CONCRETE FOOTING.
 - 4" HT. x 2" WIDE" C CHANNELS, TOP & BOTTOM. 16 GA.
 - 90% COMPACTED SUBGRADE, OR AS PER SOILS REPORT.
 - FINISH GRADE/SURFACE.
 - 4" SQ. TUBULAR STEEL POSTS @ 8' (MAX) O.C. SPACING SHALL BE EQUAL. SET POST INTO TUBULAR STEEL SLEEVE AND POR-ROK FILL AS REQUIRED.
 - WOVEN WIRE MESH SCREEN: 320124810-QUALITY SQUARE WEAVE WIRE MESH, GALVANIZED, 1" SQUARE OPENING, 1200" WIRE DIAMETER, INTERCRIMP WEAVE FROM MCNICHOLS.COM. OR APPROVED EQUAL.
 - CONCRETE MOW CURB (SEE DETAIL) OR CONCRETE PAVING SEE PLANS.
 - (3) HEAVY-DUTY SELF-CLOSING HINGES.
 - OUTDOOR GATE HANDLE/LOCKING HARDWARE. VERIFY FINAL LOCK METHOD WITH OWNER PRIOR TO FINAL INSTALLATION. HEIGHT SHALL CONFIRM TO ALL APPLICABLE ACCESSIBILITY CODES.
 - 4" x 4" TUBULAR STEEL GATE FRAME.
 - "PANIC BAR" HARDWARE ON INSIDE OF GATE, PER ALL APPLICABLE CODES.
 12. 10" SMOOTH SURFACE KICK PLATE PER 2013 CBC 11B-404.2.10

- NOTES:**
- ALL STEEL MEMBERS SHALL BE SHOP WELDED GROUND SMOOTH, REMOVE ALL SLAG AND SPLATTER PRIOR TO PRIMER AND PAINTING. ALL METAL SHALL BE PAINTED WITH:
 - PRE-PRIMER - 1 COAT RUST INHIBITER (DIPPED)
 - 1 SHOP PRIMER - ZINC PRIMER
 - 1 FIELD PRIMER - GREY PRIMER
 - 2 FINAL COATS - TO BE SELECTED BY OWNER
 - CONTRACTOR SHALL PROVIDE COMPLETE SHOP DRAWINGS PER SPECS.

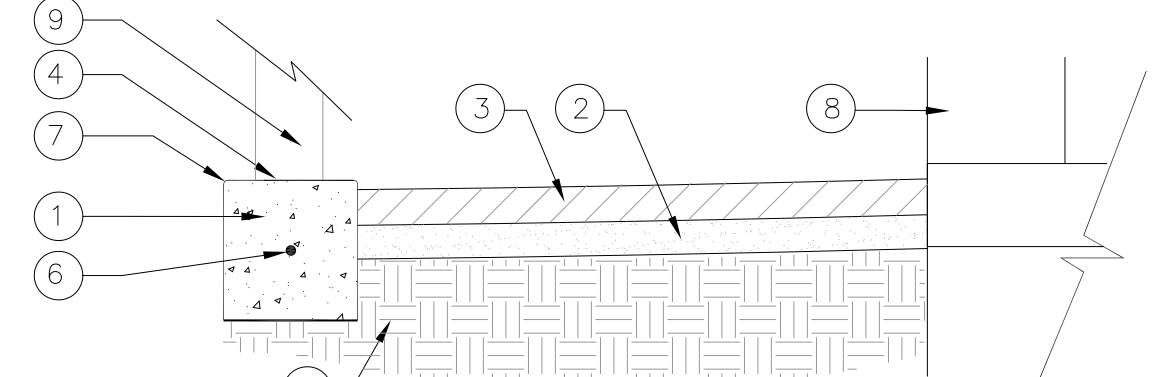
F 6' HT. METAL FENCE & GATE NTS



- LEGEND:**
1. STRUCTURAL DECK. SEE STRUCTURAL/ARCH'S DWGS.
 - CONCRETE TOPPING SLAB. SEE CONSTRUCTION PLAN FOR COLOR AND FINISH.
 - #3 REBAR AT 18" O.C. EACH WAY, CENTERED IN SLAB.
 - DECK WATERPROOFING - SEE ARCHITECT'S DWGS.
 - SLAB PENETRATION PER PLUMBING DWGS.
 - DECK DRAIN ON STRUCTURE PER PLUMBING DWGS.

NOTE: ALL DECK WATERPROOFING AND STRUCTURAL ISOLATION BY ARCHITECT. REINFORCING IS SHOWN FOR BID PURPOSES ONLY. CONTRACTOR SHALL COMPLY WITH REQUIREMENTS FROM STRUCTURAL ENGINEER.

C CONCRETE TOPPING SLAB NTS



- LEGEND:**
- 6" WIDE CONCRETE HEADER, SMOOTH TROWEL FINISH.
 - 2" DECOMPOSED GRANITE PAVING. FIRST LIFT SHALL BE 3/8" DIAMETER MAX. SEE CONSTRUCTION LEGEND FOR TYPE.
 - 2" DECOMPOSED GRANITE PAVING. SECOND LIFT SHALL BE 1/4" DIAMETER.
 - FINISHED SURFACE.
 - 90% COMPACTED SUBGRADE.
 - #3 REBAR, CONTINUOUS, 18" OVERLAP.
 - 1/4" RADIUS, TOOLED EDGE.
 - ADJACENT BUILDING WALL.
 - FENCE, SEE DETAIL.
- NOTES:**
- CONTRACTOR SHALL INSURE SUBGRADE IS SLOPED AWAY FROM BUILDING.
 - CONTRACTOR SHALL PROVIDE A TOOLED SCORE JOINT @ 10' O.C. ALONG ENTIRE LENGTH OF CONCRETE HEADER.
 - CONTRACTOR SHALL APPLY LIQUID BINDER AT THE RECOMMENDED APPLICATION RATE.
 - CONTRACTOR SHALL SUBMIT D.G. SAMPLES TO THE LANDSCAPE ARCHITECT AND OWNER'S REPRESENTATIVE FOR APPROVAL PRIOR TO INSTALLATION.

D PEA GRAVEL/DECOMPOSED GRANITE NTS

carrierjohnson + CULTURE
 architecture + environments + brand strategy + graphics
 1301 third avenue, san diego ca 92101
 phone 619.235.5360 fax 619.235.6227

IVY
 1947 Fern Street
 Suite 4
 San Diego, CA
 92102
 619.235.5360
 619.235.5369 Fax
 info@ivylo.com
 Landscape Architecture
 Planning

AIRBORNE SAN DIEGO
 1401 IMPERIAL AVENUE
 SAN DIEGO, CA 92101

03-06-15 PLAN CHECK RESUBMITTAL
 12-05-14 PLAN CHECK SUBMITTAL
 11-11-14 CD PROGRESS
 10-01-14 DESIGN DEVELOPMENT
 08-20-14 SCHEMATIC DESIGN
 ISSUES:



PROJECT NO:
 FILENAME:
 DRAWN BY: CHECKED BY:
 PLOT DATE:
 03-19-15
 TITLE:

HARDSCAPE DETAILS

DRAWING NO:
L190

ALL IDEAS, DESIGN, ARRANGEMENTS AND PLANS INDICATED OR REPRESENTED BY THIS DRAWING ARE OWNED BY, AND THE PROPERTY OF CARRIER JOHNSON + CULTURE + DESIGN. EVOLVED AND DEVELOPED FOR USE ON, AND IN CONNECTION WITH THIS PROJECT. NONE OF SUCH IDEAS, DESIGN, ARRANGEMENTS, OR PLANS SHALL BE USED BY, OR DISCLOSED TO ANY PERSON, FIRM, OR CORPORATION FOR ANY PURPOSE WHATSOEVER WITHOUT THE WRITTEN PERMISSION OF CARRIER JOHNSON + CULTURE. FILING THESE DRAWINGS OR SPECIFICATIONS WITH ANY PUBLIC AGENCY IS NOT A PUBLICATION OF SAME. NO COPYING, REPRODUCTION OR USE THEREOF IS PERMISSIBLE WITHOUT THE CONSENT OF CARRIER JOHNSON + CULTURE.

IMPERIAL AVE.

PUBLIC IMPROVEMENTS SHOWN FOR REFERENCE ONLY. ALL PUBLIC IMPROVEMENTS SHALL BE PER PLAN SET: 401275

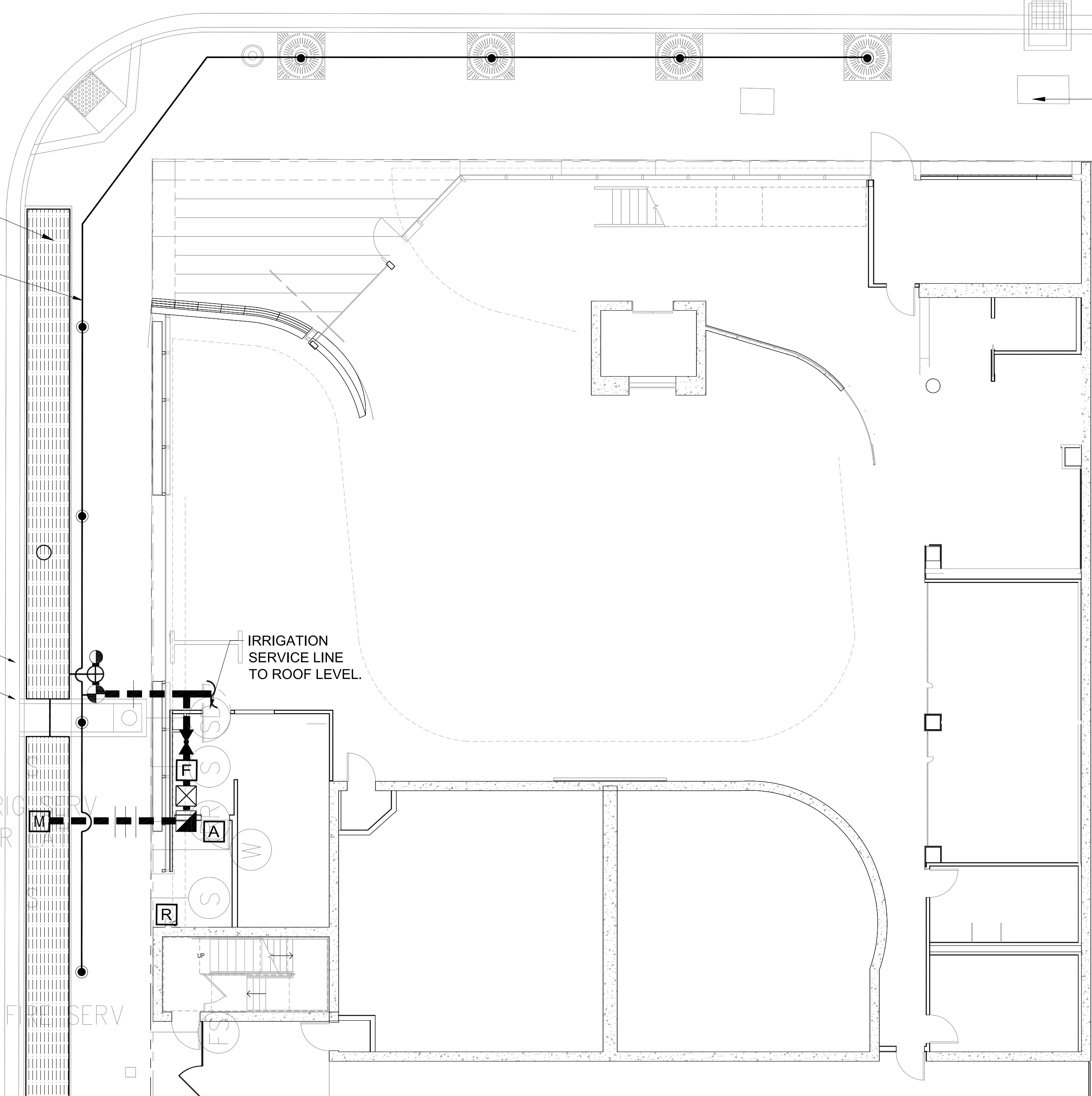
BUBBLERS SHOWN IN HARDSCAPE FOR CLARITY ONLY. LOCATED IN ADJACENT PLANTING BED.

14TH ST.

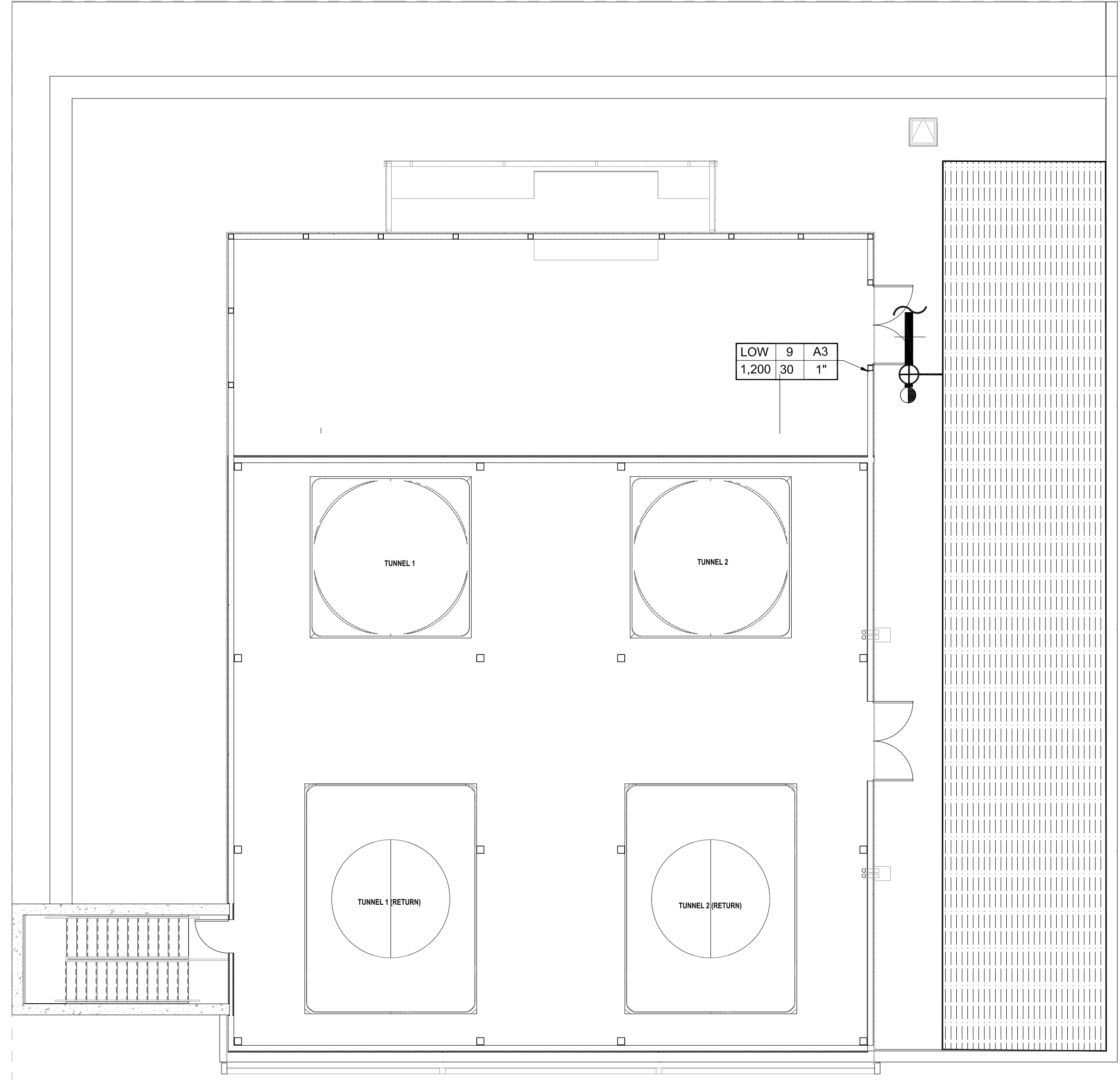
MOD 3	A2	
410	30	1"
MOD 8	A1	
225	30	1"

SWR LAT
PVC IRRIG
PVC WTR
SWR LAT

6" PVC F... SERV



FIRST FLOOR



ROOF

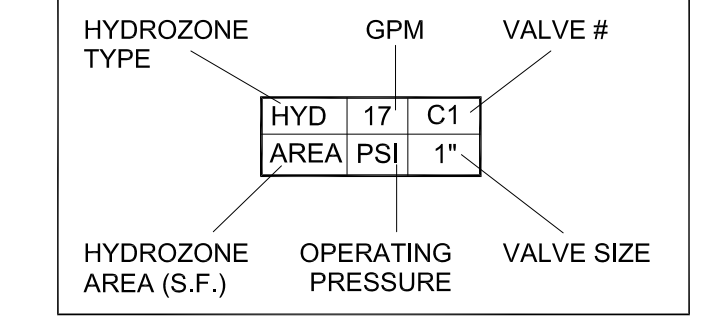
PUBLIC IMPROVEMENTS SHOWN FOR REFERENCE ONLY. ALL PUBLIC IMPROVEMENTS SHALL BE PER PLAN SET: 401275

IRRIGATION EQUIPMENT LEGEND		
SYM	MANUF.	DESCRIPTION
[M]	N/A	WATER METER. SEE CIVIL PLANS FOR ADDITIONAL INFORMATION.
[A]	RAINBIRD	ESP... LXMEF WALL-MOUNT CONTROLLER (OR APPROVED EQUAL) W/ LOCKING COVER & INTEGRATED WEATHER/RAIN SENSING SYSTEM. INCLUDE 'ET MANAGER' MODULE. VERIFY LOCATION IN FIELD PRIOR TO INSTALLATION.
[R]	RAINBIRD	RAIN SENSOR. WIRED TO CONTROLLER. VERIFY LOCATION IN FIELD PRIOR TO INSTALLATION.
[F]	FEBCO	2" 825-Y SERIES PRESSURE REDUCING BACKFLOW PREVENTION ASSEMBLY IN STAINLESS STEEL LOCKABLE ENCLOSURE (VANDAL-BUSTER BY ALL SPEC ENCLOSURES, INC. OR APPROVED EQUAL-SIZED TO FIT). CONFIRM FINAL LOCATION & ENCLOSURE MODEL # W/ OWNER PRIOR TO BEGINNING ANY WORK.
[X]	GRISWOLD	MODEL 2260 PRESSURE REGULATING MASTER VALVE. INITIAL PRESSURE SETTING: 70 PSI.
[F]	RAINBIRD	MODEL FS150B - 1.5" FLOW SENSOR.
[F]	RAINBIRD	PESB SERIES CONTROL VALVE. SEE PLANS FOR SIZES.
[F]	RAINBIRD	33DRC QUICK COUPLER VALVE.
[F]	NBCO	T-580 BRONZE/STAINLESS STEEL BALL VALVE, LINE SIZE.
[+]	RAINBIRD	REMOTE CONTROL VALVE (DRIP); PESB SERIES: SIZE PER PLAN. INCLUDE AG PRODUCTS 1" #4E-1AN-150" MPT W/ MHT FLUSH & CAP 150 MESH WYE FILTER AND SENWINGER PR-40MF PRESSURE REGULATOR ON DOWNSTREAM SIDE OF VALVE (USE 1.5" WYE FILTER AND PR-40HF PRESSURE REGULATOR FOR FLOWS OVER 16GPM).
[Hatched]	TORO	DRIP TUBING: RGP-2-12-E DL2000 DRIP TUBING WITH 1.0 GPH EMITTERS @ 18" O.C. INSTALL ROWS OF TUBING @ MAX. 18" O.C. 4" BELOW FINISH SOIL GRADE WITH 9" WIRE STAKES @ 5FT. INTERVALS. VERIFY LAYOUT & SPACING IN FIELD PRIOR TO STARTING WORK.
[NO SYMBOL]	TORO	AIR/VACUUM RELIEF VALVE-YD-500-34. INCLUDE FT-650 COMBINATION TEE & REDUCER BUSHING. INSTALL @ HIGH POINT OF EACH PLANTER. MIN. 1 ARV PER 500FT OF DRIPLINE. MULTIPLE ARV'S MAYBE REQ'D IN UNDULATING AREAS. VERIFY PRIOR TO STARTING WORK.
[NO SYMBOL]	TORO	FLUSH VALVE: T-FCH-H-FIPT. INSTALL @ MIDDLE/END OF DRIP LINES: MIN. 1 FV PER 1000 FT. OF DRIPLINE. VERIFY PRIOR TO STARTING WORK.
[Dashed]	AS APPROVED	IRRIGATION MAINLINE PIPE: SCH. 40 PVC (1.5" AND SMALLER) CL. 315 PVC (2" AND LARGER)
[Solid]	AS APPROVED	IRRIGATION MAINLINE PIPE-APPROVED ASTM B88, TYPE L - DRAWN TEMPER COPPER SIZE: 1.5"
[Dotted]	AS APPROVED	PVC PIPE SCH. 40 SLEEVING, TWICE THE DIAMETER OF PIPE AND WIRE BUNDLE
[Dash-dot]	AS APPROVED	IRRIGATION LATERAL LINE PIPE - PVC SCH 40, SIZE PER PLAN.
[NO SYMBOL]	AS APPROVED	IRRIGATION CONTROL WIRE #14UF AWG DIRECT BURIAL - U.L. APPROVED
[NO SYMBOL]	SPEARS	DS-400 PRE-FILLED WIRE CONNECTORS (OR APPROVED EQUAL). USE ON ALL WIRE CONNECTIONS.

IRRIGATION SPRINKLER HEAD LEGEND						
SYM	MANUF.	DESCRIPTION	GPM	ARC	RADIUS	PSI
[Circle]	HUNTER	ROOT ZONE WATERING SYSTEM - RZWS-36-50-CV	0.50	360	1"	30

PVC WIRE SLEEVE SCHEDULE	
SCH. 40 SLEEVE SIZE	MAXIMUM NUMBER OF UF WIRES
1"	9
1 1/4"	17
1 1/2"	23
2"	38
2 1/2"	54

PVC PIPE SLEEVE SCHEDULE	
PVC PIPE SIZE	SCH. 40 SLEEVE SIZE
1/2"	2"
3/4"	2"
1"	2 1/2"
1 1/4"	3"
1 1/2"	3"
2"	4"
2 1/2"	6"
3"	6"
4"	6"



PIPE SIZING CHART	
[Symbol]	3/4" PIPE
[Symbol]	1" PIPE
[Symbol]	1 1/4" PIPE
[Symbol]	1 1/2" PIPE
[Symbol]	2" PIPE
[Symbol]	2 1/2" PIPE
[Symbol]	3" PIPE

NOTE: DRIP IRRIGATION DETAILS SHALL BE PER BUILDING PLAN SET: PTS XXXXX

carrierjohnson + CULTURE
architecture + environments + brand strategy + graphics
1301 third avenue, san diego ca 92101
phone 619.235.5360 fax 619.235.6227



1947 Fern Street
Suite 4
San Diego CA
92102
619.235.5360
619.235.5369 Fax
info@ivylo.com
Landscape Architecture
Planning

AIRBORNE SAN DIEGO
1401 IMPERIAL AVENUE
SAN DIEGO, CA 92101

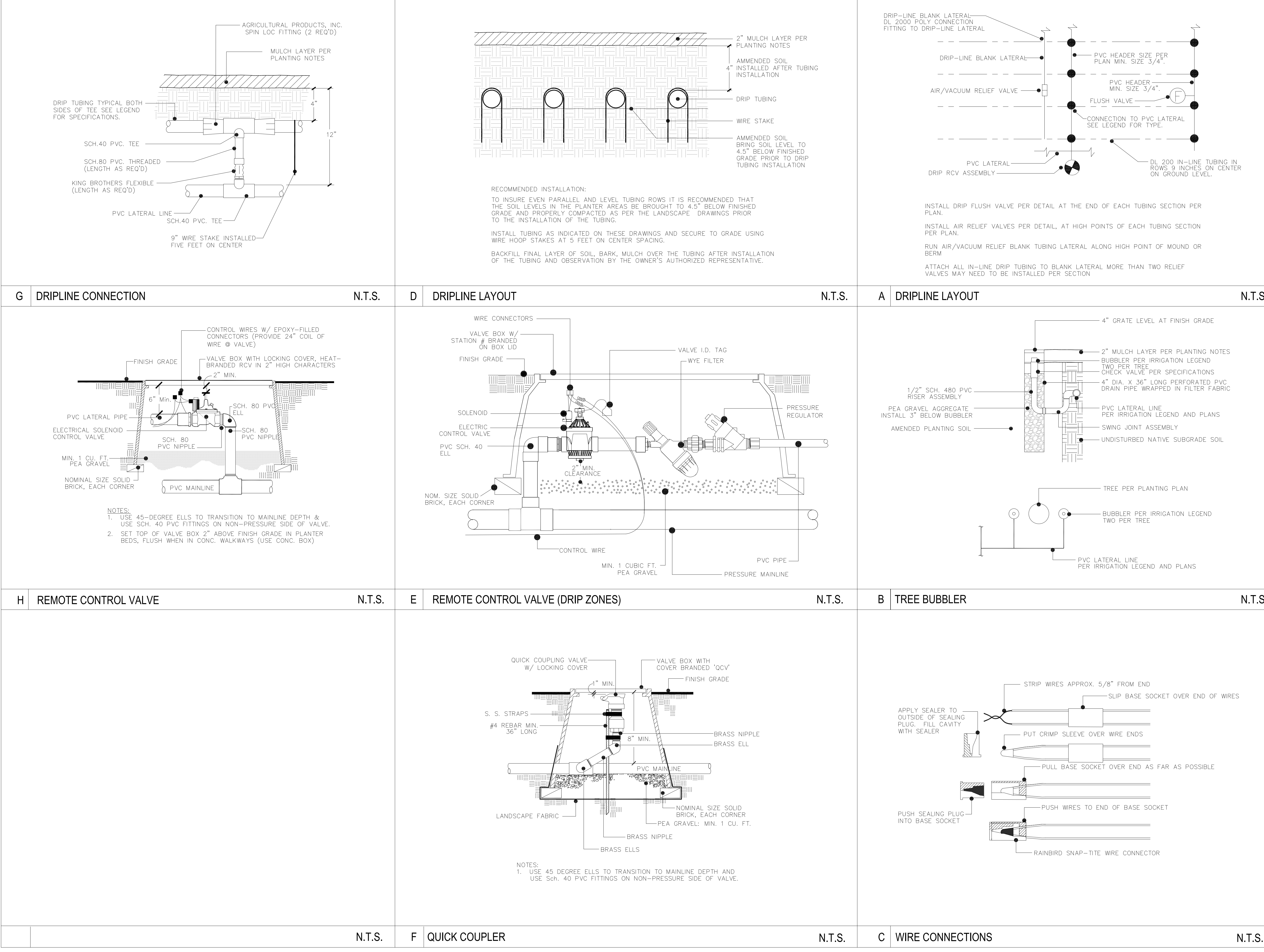
03-06-15 PLAN CHECK RESUBMITTAL
12-05-14 PLAN CHECK SUBMITTAL
11-11-14 CD PROGRESS
10-01-14 DESIGN DEVELOPMENT
08-20-14 SCHEMATIC DESIGN
ISSUES:



PROJECT NO:
FILENAME:
DRAWN BY: CHECKED BY:
PLOT DATE:
03-19-15
TITLE:
LANDSCAPE
IRRIGATION PLAN -
FIRST FLOOR &
ROOF

DRAWING NO:
L200

ALL IDEAS, DESIGN, ARRANGEMENTS AND PLANS INDICATED OR REPRESENTED BY THIS DRAWING ARE OWNED BY, AND THE PROPERTY OF CARRIER JOHNSON + CULTURE AND WERE CREATED, EVOLVED AND DEVELOPED FOR USE ON, AND IN CONNECTION WITH THIS PROJECT. NONE OF SUCH IDEAS, DESIGN, ARRANGEMENTS, OR PLANS SHALL BE USED BY, OR DISCLOSED TO ANY PERSON, FIRM, OR CORPORATION FOR ANY PURPOSE WHATSOEVER WITHOUT THE WRITTEN PERMISSION OF CARRIER JOHNSON + CULTURE. FILING THESE DRAWINGS OR SPECIFICATIONS WITH ANY PUBLIC AGENCY IS NOT A PUBLICATION OF SAME. NO COPYING, REPRODUCTION OR USE THEREOF IS PERMISSIBLE WITHOUT THE CONSENT OF CARRIER JOHNSON + CULTURE.



carrierjohnson + CULTURE
architecture + environments + brand strategy + graphics
1301 tibia avenue, san diego ca 92101
phone 619.235.2353 fax 619.235.6227

IVY
1947 Fern Street
Suite 4
San Diego CA
92102
619.235.5360
619.235.5369 Fax
info@ivy.com
Landscape Architecture
Planning

AIRBORNE SAN DIEGO
1401 IMPERIAL AVENUE
SAN DIEGO, CA 92101

03-06-15 PLAN CHECK RESUBMITTAL
12-05-14 PLAN CHECK SUBMITTAL
11-11-14 CD PROGRESS
10-01-14 DESIGN DEVELOPMENT
08-20-14 SCHEMATIC DESIGN
ISSUES:



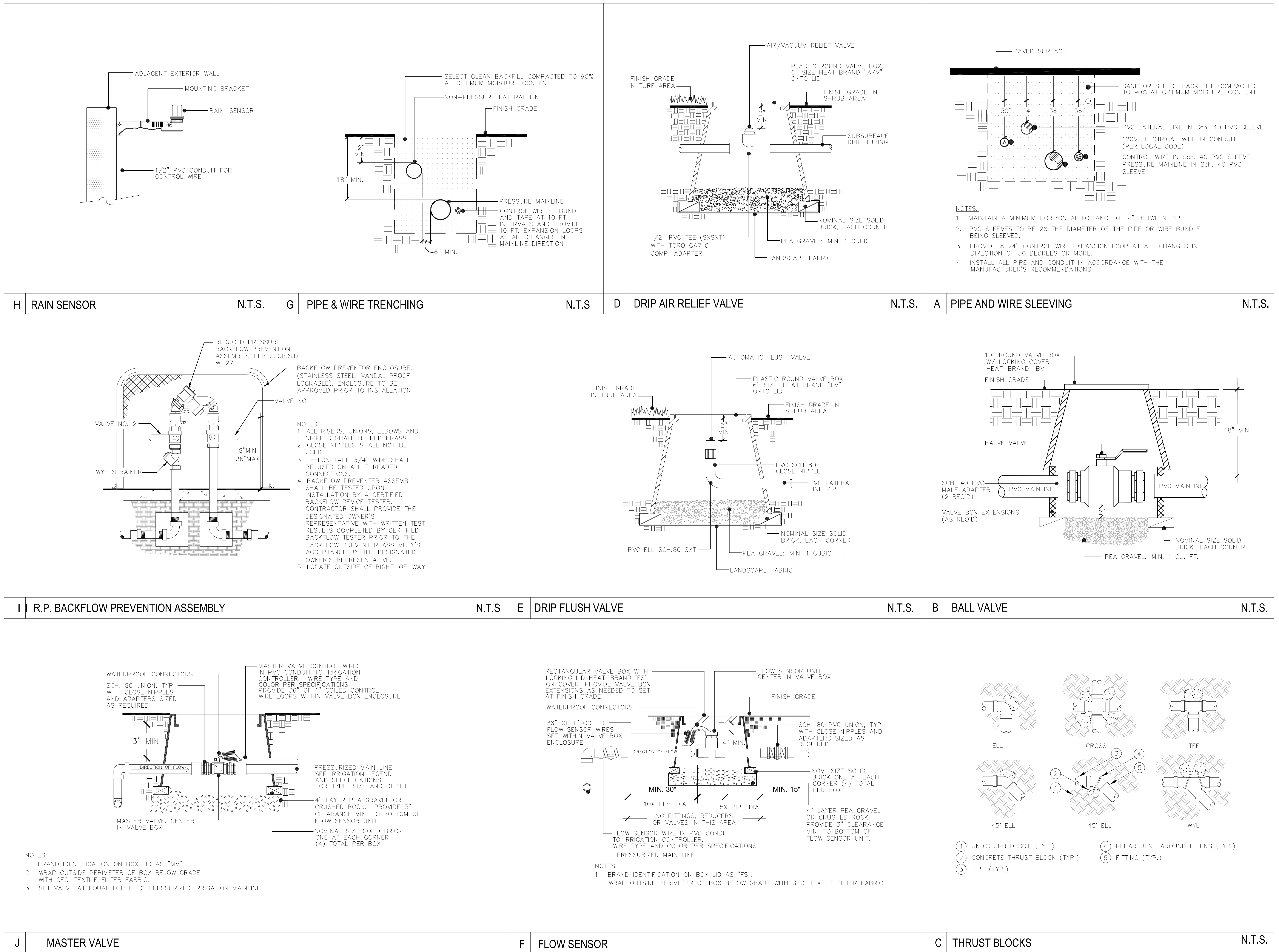
PROJECT NO:
FILENAME:
DRAWN BY: CHECKED BY:
PLOT DATE:
03-19-15
TITLE:

**IRRIGATION
DETAILS**

DRAWING NO:

L290

ALL IDEAS, DESIGN, ARRANGEMENTS AND PLANS INDICATED OR REPRESENTED BY THIS DRAWING ARE OWNED BY, AND THE PROPERTY OF CARRIER JOHNSON + CULTURE AND WERE CREATED, EVOLVED AND DEVELOPED FOR USE ON, AND IN CONNECTION WITH THIS PROJECT. NONE OF SUCH IDEAS, DESIGN, ARRANGEMENTS, OR PLANS SHALL BE USED BY, OR DISCLOSED TO ANY PERSON, FIRM, OR CORPORATION FOR ANY PURPOSE WHATSOEVER WITHOUT THE WRITTEN PERMISSION OF CARRIER JOHNSON + CULTURE. FILING THESE DRAWINGS OR SPECIFICATIONS WITH ANY PUBLIC AGENCY IS NOT A PUBLICATION OF SAME. NO COPYING, REPRODUCTION OR USE THEREOF IS PERMISSIBLE WITHOUT THE CONSENT OF CARRIER JOHNSON + CULTURE.



carrierjohnson + CULTURE
architecture + environments + brand strategy + graphics
1301 third avenue, san diego ca 92101
phone 619.235.2353 fax 619.235.6227



IVY
1947 Fern Street
Suite 4
San Diego CA
92102
619.235.5360
619.235.5369 Fax
info@ivyfa.com
Landscape Architecture
Planning

AIRBORNE SAN DIEGO
1401 IMPERIAL AVENUE
SAN DIEGO, CA 92101

03-06-15 PLAN CHECK RESUBMITTAL
12-05-14 PLAN CHECK SUBMITTAL
11-11-14 CD PROGRESS
10-01-14 DESIGN DEVELOPMENT
08-20-14 SCHEMATIC DESIGN
ISSUES:



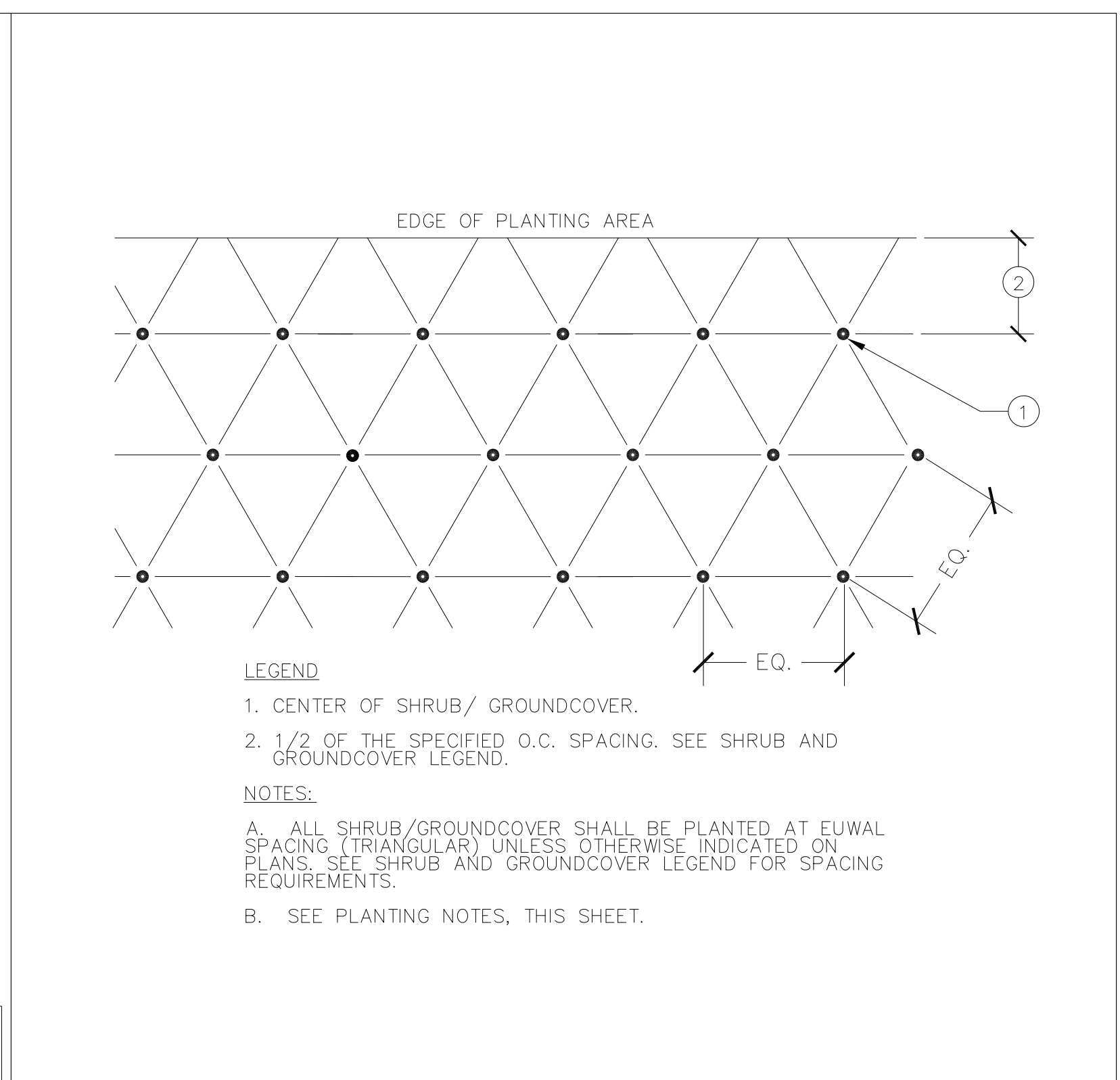
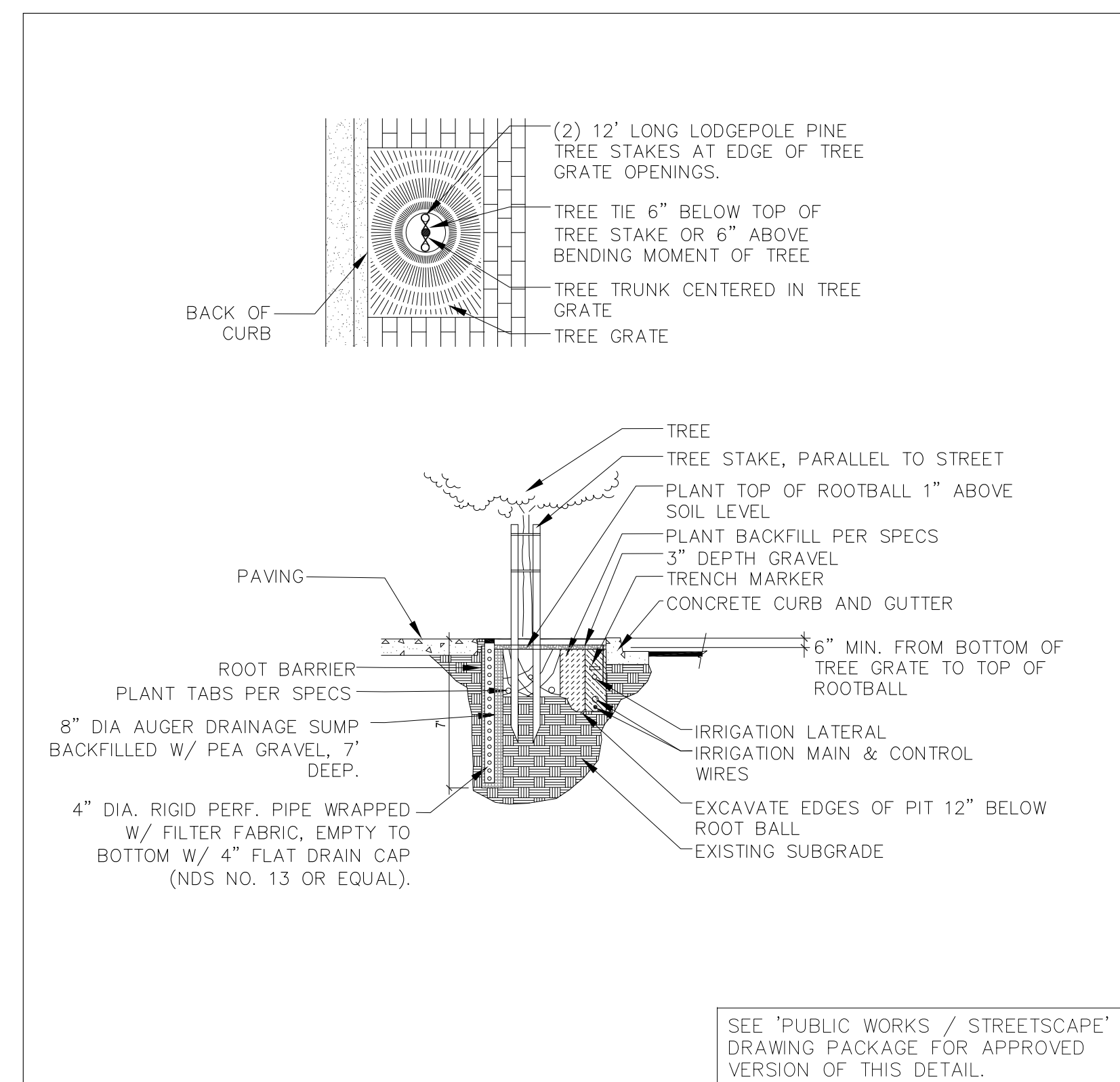
PROJECT NO:
FILENAME:
DRAWN BY: CHECKED BY:
PLOT DATE:
03-19-15
TITLE:

**IRRIGATION
DETAILS**

DRAWING NO:

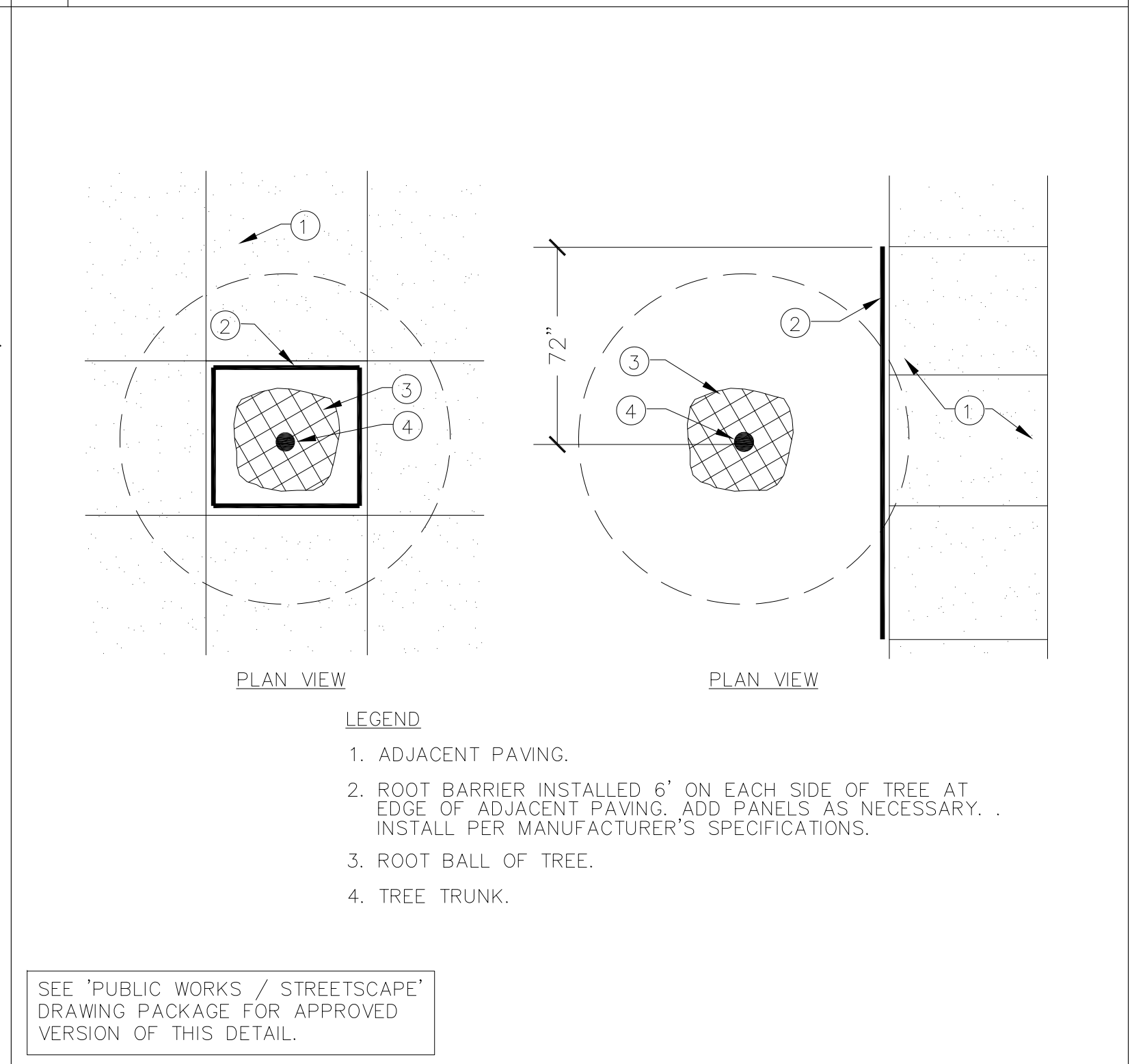
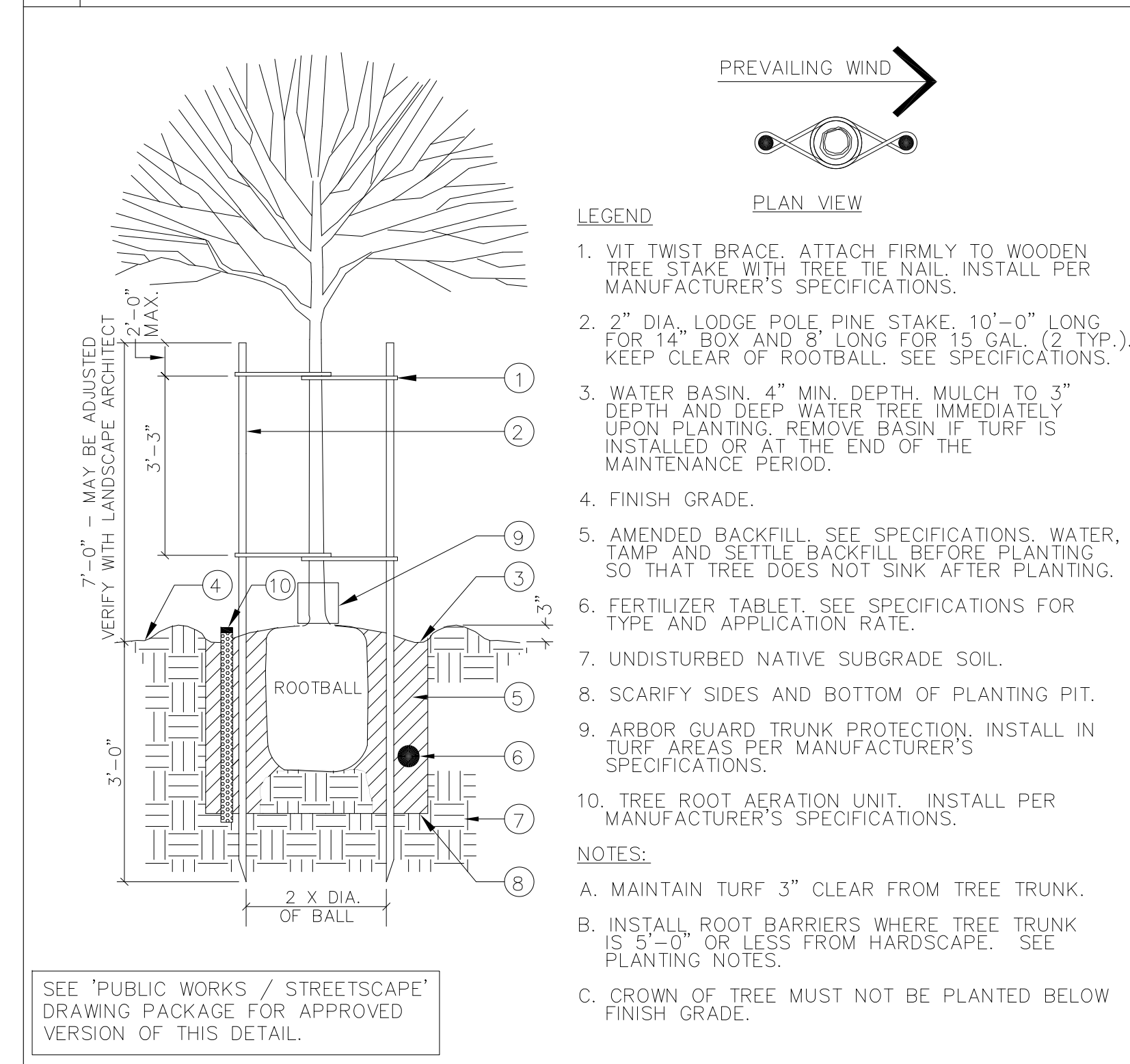
L291

ALL IDEAS, DESIGN, ARRANGEMENTS AND PLANS INDICATED OR REPRESENTED BY THIS DRAWING ARE OWNED BY, AND THE PROPERTY OF CARRIER JOHNSON + CULTURE AND WERE CREATED, EVOLVED AND DEVELOPED FOR USE ON, AND IN CONNECTION WITH THIS PROJECT. NONE OF SUCH IDEAS, DESIGN, ARRANGEMENTS, OR PLANS SHALL BE USED BY, OR DISCLOSED TO ANY PERSON, FIRM, OR CORPORATION FOR ANY PURPOSE WHATSOEVER WITHOUT THE WRITTEN PERMISSION OF CARRIER JOHNSON + CULTURE. FILING THESE DRAWINGS OR SPECIFICATIONS WITH ANY PUBLIC AGENCY IS NOT A PUBLICATION OF SAME. NO COPYING, REPRODUCTION OR USE THEREOF IS PERMISSIBLE WITHOUT THE CONSENT OF CARRIER JOHNSON + CULTURE.



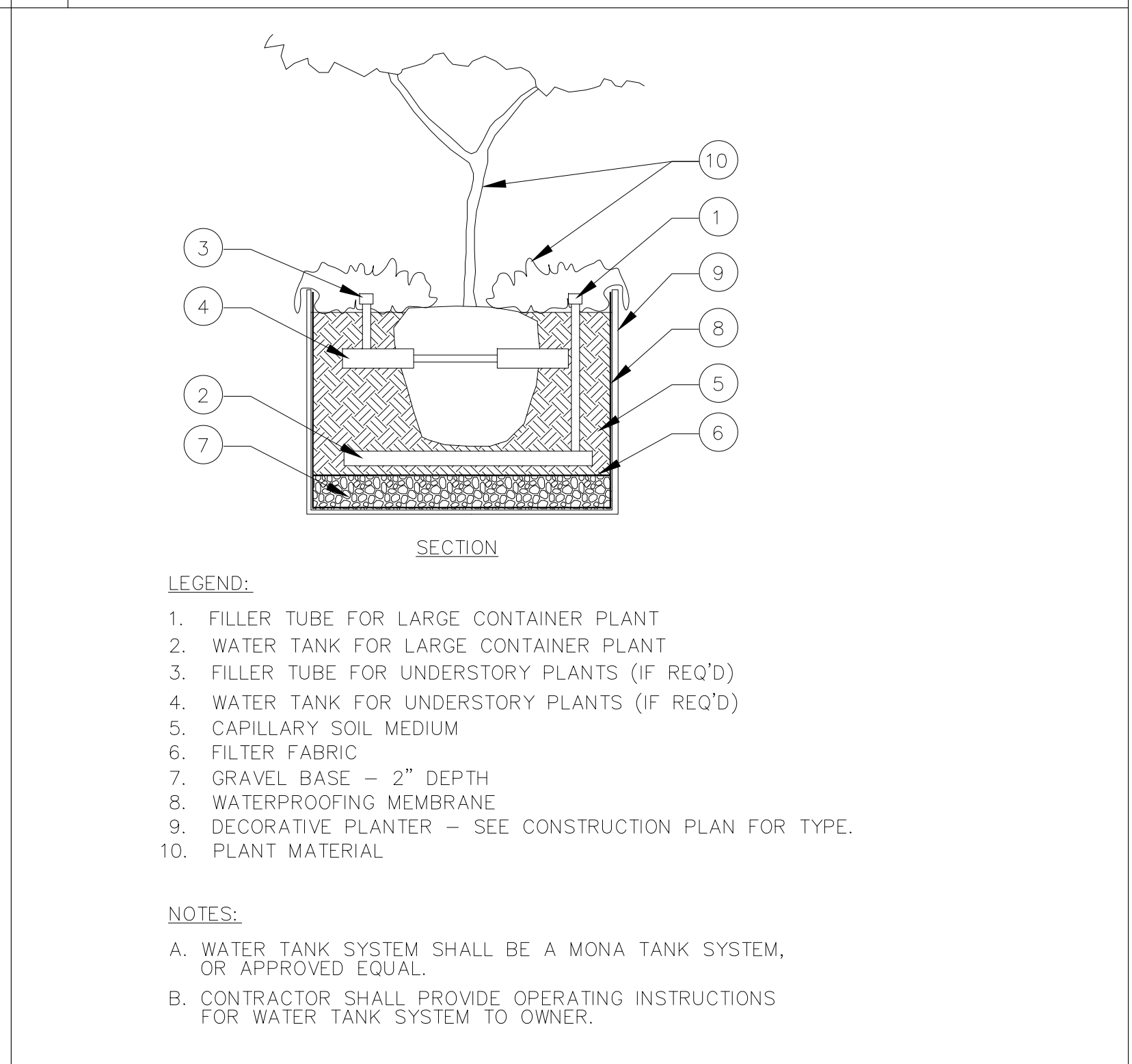
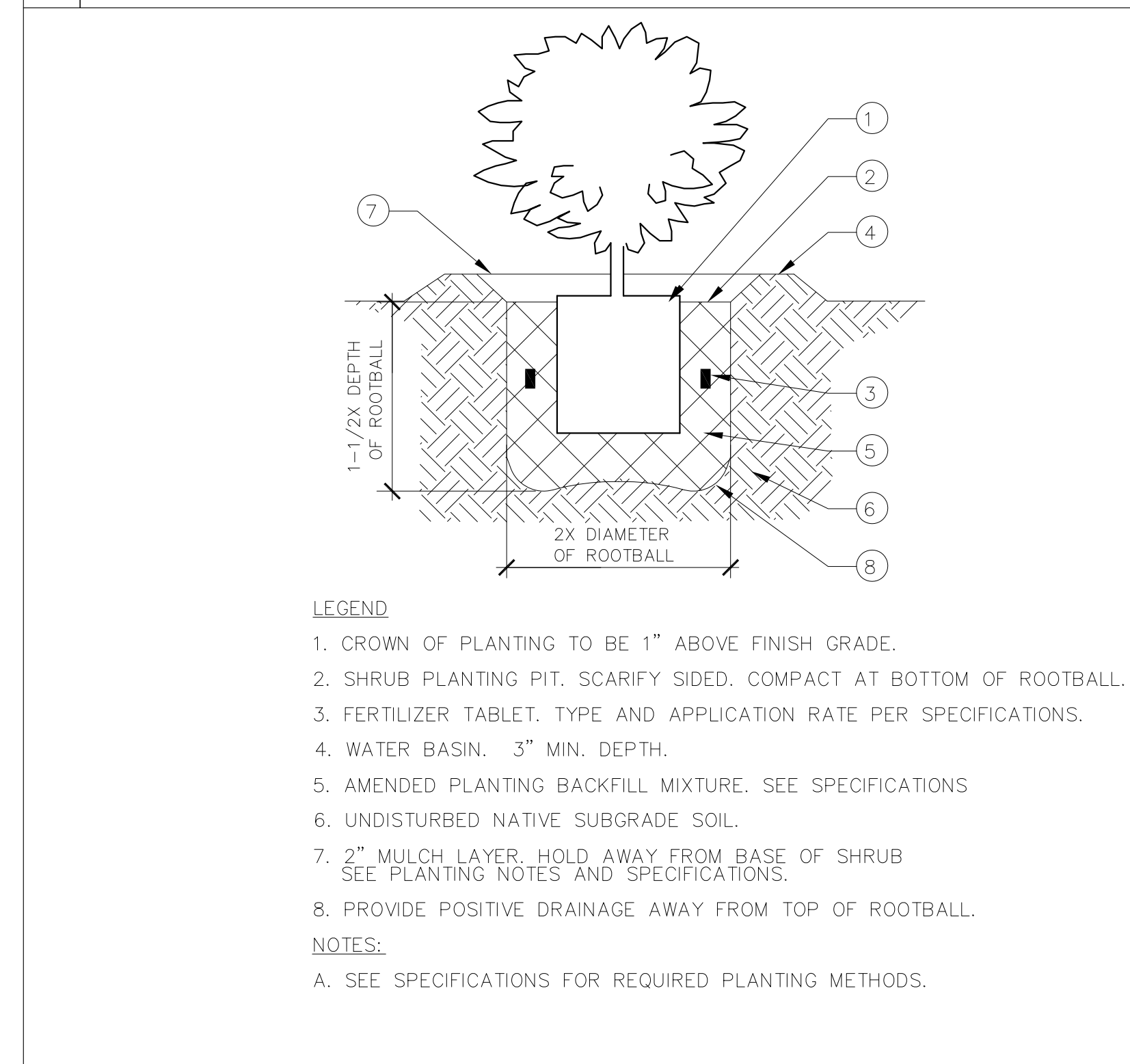
D TREE PLANTING (STREET TREE) NTS

A GROUNDCOVER / SHRUB SPACING NTS



E TREE PLANTING - 24" BOX & SMALLER (STREET TREE) NTS

B ROOTBARRIER INSTALLATION NTS



F SHRUB PLANTING NTS

C POTTED PLANT - WATERING RESERVOIR NTS

carrierjohnson + CULTURE
 architecture + environments + brand strategy + graphics
 1301 third avenue, san diego ca 92101
 phone 619.235.5360 fax 619.235.6227

IVY
 1947 Fern Street
 Suite 4
 San Diego CA
 92102
 619.235.5360
 619.235.5369 Fax
 info@ivyfa.com
 Landscape Architecture
 Planning

AIRBORNE SAN DIEGO
1401 IMPERIAL AVENUE
SAN DIEGO, CA 92101

03-06-15 PLAN CHECK RESUBMITTAL
 12-05-14 PLAN CHECK SUBMITTAL
 11-11-14 CD PROGRESS
 10-01-14 DESIGN DEVELOPMENT
 08-20-14 SCHEMATIC DESIGN
 ISSUES:



PROJECT NO:
 FILENAME:
 DRAWN BY: CHECKED BY:
 PLOT DATE:
 03-19-15
 TITLE:

PLANTING DETAILS

DRAWING NO:
L390

02218 LANDSCAPE GRADING

- PART 1 - GENERAL
1.1 WORK INCLUDED
A. FINISH GRADE SUBSOIL.
B. PLACE, LEVEL, AND COMPACT TOPSOIL.
1.2 RELATED WORK
A. SECTION 01400 -QUALITY CONTROL.
B. SECTION 0220 -SITE PREPARATION.
C. SECTION 02950 -TREES, PLANTS, AND GROUND COVER: TOPSOIL FILL FOR TREES, PLANTS, AND GROUND COVER.
1.3 SAMPLES
A. SUBMIT SAMPLES UNDER PROVISIONS OF SECTION 01330.
B. PRIOR TO AMENDING SOILS, SUBMIT TO LB SAMPLE OF IMPORTED FILL TO TESTING LABORATORY.
1.4 PROTECTION
A. PROTECT LANDSCAPING & OTHER FEATURES REMAINING AS FINAL WORK.

- PART 2 - PRODUCTS
2.1 MATERIALS
A. TOPSOIL: REUSED AND AMENDED.
B. TOPSOIL: IMPORTED, FRIABLE LOAM; FREE OF SUBSOIL, ROOTS, GRASS, EXCESSIVE AMOUNT OF WEEDS, STONE, AND FOREIGN MATTER.
PART 3 - EXECUTION
3.1 INSPECTION
A. VERIFY SITE CONDITIONS AND NOTE IRREGULARITIES AFFECTING WORK OF THIS SECTION.
3.2 SUBSOIL PREPARATION
A. ELIMINATE UNEVEN AREAS AND LOW SPOTS. REMOVE DEBRIS, ROOTS, BRANCHES, STONES, IN EXCESS OF 1 INCH SIZE.
3.3 PLACING TOPSOIL
A. PLACE AMENDED TOPSOIL IN AREAS WHERE PLANTING IS SCHEDULED.
B. USE TOPSOIL IN RELATIVELY DRY STATE. PLACE DURING DRY WEATHER.
3.4 TOLERANCES
A. TOP OF TOPSOIL: PLUS OR MINUS 1/2 INCH.

02514 PORTLAND CEMENT CONCRETE PAVING

- PART 1 - GENERAL
1.1 WORK INCLUDED
A. CONCRETE PAVING
B. REINFORCEMENT.
C. SURFACE FINISH.
D. SPECIAL CURING.
1.2 RELATED WORK
A. SECTION 02211 -ROUGH GRADING; PREPARATION OF SITE FOR PAVING.
B. SECTION 02223 -BACKFILLING; COMPACTED FILL FOR PAVING.
C. SECTION 03300 - CAST-IN-PLACE CONCRETE.
1.3 REFERENCES
A. ANSI/ASTM A185 -WELDED STEEL WIRE FABRIC FOR CONCRETE REINFORCEMENT.
B. ANSI/ASTM A497 -WELDED DEFORMED STEEL WIRE FABRIC FOR CONCRETE REINFORCEMENT.
C. ASTM A615 -DEFORMED AND PLAIN BILLET-STEEL FOR CONCRETE REINFORCEMENT.
D. ASTM C33 -CONCRETE AGGREGATES.
E. ASTM C94 -READY MIXED CONCRETE.
F. ASTM C150 -PORTLAND CEMENT.
G. ASTM C260 -AIR-ENTRAINING ADMIXTURES FOR CONCRETE.
H. ASTM C309 -LIQUID MEMBRANE-FORMING COMPOUNDS FOR CURING CONCRETE.
I. ASTM C494 -CHEMICAL ADMIXTURES FOR CONCRETE.
J. FS TT-C-800 -CURING COMPOUND, CONCRETE, FOR NEW & EXISTING SURFACES.
1.4 QUALITY ASSURANCE
A. PERFORM WORK IN ACCORDANCE WITH ACI 301.
B. OBTAIN MATERIALS FROM SAME SOURCE THROUGHOUT.
1.5 TESTS
A. TESTING/ANALYSIS WILL BE PERFORMED UNDER PROVISIONS OF SECTION 01400.
B. MAKE AVAILABLE PROPOSED MIX DESIGN OF EACH CLASS OF CONCRETE TO APPOINTED FIRM FOR REVIEW PRIOR TO COMMENCEMENT OF WORK.
C. TESTING FIRM WILL TAKE CYLINDERS AND PERFORM SLUMP AND AIR ENTRAINMENT TESTS IN ACCORDANCE WITH ACI 301.
D. TESTS OF CEMENT AND AGGREGATES WILL BE PERFORMED TO ENSURE CONFORMANCE WITH SPECIFIED REQUIREMENTS.
E. THREE CONCRETE TEST CYLINDERS WILL BE TAKEN FOR EVERY 75 OR LESS CUYDS OF EACH CLASS OF CONCRETE PLACED EACH DAY.
F. ONE ADDITIONAL TEST CYLINDER WILL BE TAKEN AND BE CURED ON SITE UNDER SAME CONDITIONS AS CONCRETE IT REPRESENTS.
G. ONE SLUMP TEST WILL BE TAKEN FOR EACH SET OF TEST CYLINDERS TAKEN.
1.6 SUBMITTALS
A. SUBMIT PRODUCT DATA UNDER PROVISIONS OF SECTION 01300.
B. INCLUDE DATA ON INTEGRAL COLOR, ADMIXTURES, AND CURING COMPOUNDS.

- PART 2 - PRODUCTS
2.1 CONCRETE MATERIALS
A. CEMENT: ASTM C150 SULPHATE RESISTANT-TYPE V PORTLAND TYPE, GRAY COLOR.
B. FINE AND COARSE AGGREGATES: ASTM C33, FROM A SINGLE SOURCE THROUGHOUT PROJECT.
C. WATER: CLEAN, POTABLE, AND NOT OTHERWISE DETRIMENTAL TO CONCRETE.
2.2 FORM MATERIALS
A. CONFORM TO ACI 301.
B. WOOD OR STEEL FORM MATERIAL, PROFILED TO SUIT CONDITIONS.
2.3 REINFORCEMENT
A. REINFORCING STEEL: ASTM A615; 40 KSI YIELD GRADE; PLAIN DEFORMED BILLET STEEL BARS, UNCOATED FINISH.
B. WELDED STEEL WIRE FABRIC: PLAIN TYPE, ANSI/ASTM A185; UNCOATED FINISH.
C. TIE WIRE: ANNEALED STEEL, MINIMUM 16 GAGE SIZE.
D. DOWELS: ASTM A615; 40 KSI YIELD GRADE, PLAIN STEEL, UNCOATED FINISH.

02514 PORTLAND CEMENT CONCRETE PAVING (CONT.)

- 2.4 ACCESSORIES
A. CURING COMPOUND: FS TT-C-800, TYPE 1, 30 PERCENT SOLIDS; ASTM C309, ASHFORD FORMULA.
B. LIQUID SURFACE SEALER: PROSOCO KURE/SEAL.
C. INTEGRAL COLOR (NON-IMMERSION CONDITIONS): L. M. SCOFIELD CHROMIX, OR APPROVED EQUAL.
D. PATCH BOND: WELD-CRETE.
2.5 ADMIXTURES
A. AIR ENTRAINMENT: ASTM C260.
B. CHEMICAL ADMIXTURE: ASTM C494.
2.6 CONCRETE MIX
A. MIX CONCRETE IN ACCORDANCE WITH ASTM C94.
B. PROVIDE CONCRETE WITH THE FOLLOWING CHARACTERISTICS: -COMPRESSIVE STRENGTH AT 28 DAYS: 2500 PSI.
C. USE ACCELERATING ADMIXTURES IN COLD WEATHER ONLY WHEN APPROVED BY OWNER. USE OF ADMIXTURES WILL NOT RELAX COLD WEATHER PLACEMENT REQUIREMENTS.
D. USE SET-RETARDING ADMIXTURES DURING HOT WEATHER ONLY WHEN APPROVED BY OWNER.
E. ADD AIR ENTRAINING AGENT TO CONCRETE MIX FOR CONCRETE WORK AS NECESSARY.

- PART 3 - EXECUTION
3.1 INSPECTION
A. VERIFY COMPACTED SUBGRADE AND/OR BASE IS READY TO SUPPORT PAVING AND IMPOSED LOADS.
B. VERIFY GRADIENTS AND ELEVATIONS OF BASE ARE CORRECT.
C. BEGINNING OF INSTALLATION MEANS ACCEPTANCE OF EXISTING CONDITIONS.
3.2 PREPARATION
A. MOISTEN BASE TO MINIMIZE ABSORPTION OF WATER FROM FRESH CONCRETE.
B. NOTIFY LANDSCAPE ARCHITECT AND OWNER MINIMUM 24 HOURS PRIOR TO COMMENCEMENT OF CONCRETING OPERATIONS.
3.3 FORMING
A. PLACE AND SECURE FORMS TO CORRECT LOCATION, DIMENSION, AND PROFILE. OBTAIN LAYOUT APPROVAL PRIOR TO POUR.
B. ASSEMBLE FORMWORK TO PERMIT EASY STRIPPING AND DISMANTLING WITHOUT DAMAGING CONCRETE. USE OF PERMANENT CONCRETE SCREED IS PERMISSIBLE.
C. PLACE JOINT FILLEES VERTICAL IN POSITION, IN STRAIGHT LINES. SECURE TO FORMWORK DURING CONCRETE PLACEMENT.
3.4 REINFORCEMENT
A. PLACE REINFORCEMENT.
B. INTERRUPT REINFORCEMENT AT EXPANSION JOINTS.
C. PLACE REINFORCEMENT TO ACHIEVE SLAB AND CURB ALIGNMENT AS DETAILED.
D. PROVIDE DOWELED JOINTS AT INTERRUPTIONS OF CONCRETE WITH ONE END OF DOWEL SET IN CAPPED SLEEVE TO ALLOW LONGITUDINAL MOVEMENT.
3.5 FORMED JOINTS
A. PLACE EXPANSION JOINTS AT 20 FOOT INTERVALS UNLESS OTHERWISE SHOWN TO CORRECT ELEVATION & PROFILE. ALIGN CURB, GUTTER, & SIDEWALK JOINTS.
B. PLACE EXPANSION JOINT BETWEEN PAVING COMPONENTS AND BUILDING OR OTHER APPURTENANCES.
C. PROVIDE CONTROL JOINTS AT MAXIMUM 5 FOOT INTERVALS OF PAVING UNLESS OTHERWISE SHOWN.
3.6 PLACING CONCRETE
A. PLACE CONCRETE IN ACCORDANCE WITH ACI 301.
B. HOT WEATHER PLACEMENT: ACI 301.
C. COLD WEATHER PLACEMENT: ACI 301.
D. ENSURE REINFORCEMENT, INSERTS, EMBEDDED PARTS, AND FORMED JOINTS ARE NOT DISTURBED DURING CONCRETE PLACEMENT.
E. PLACE CONCRETE CONTINUOUSLY BETWEEN PREDETERMINED CONSTRUCTION JOINTS. DO NOT BREAK OR INTERRUPT SUCCESSIVE POURS SUCH THAT COLD JOINTS OCCUR.
F. PLACE CONCRETE TO PATTERN INDICATED.
G. COORDINATE POURS OF INTEGRAL COLOR CONCRETE TO ENSURE CONSISTENCY OF COLOR THROUGHOUT. COLOR INCONSISTENCY WILL NOT BE ACCEPTED.
H. FOR CONCRETE STEPS, WALLS OR OTHER CAST IN PLACE ELEMENTS, SETTLE CONCRETE BY VIBRATION TO ELIMINATE HONEYCOMBS. CONCRETE WITH VISIBLE HONEYCOMBS WILL BE REJECTED.
I. TOLERANCES IN HORIZONTAL ALIGNMENT OF HARDSCAPE ELEMENTS SUCH AS PAVING EDGES, JOINTS, WALLS AND STEPS SHALL NOT EXCEED 1/4" IN 10 FEET, OR 1/2" IN 50 FEET.
3.7 FINISHING
A. SEE PLAN FOR FINISHES AND FINISH LOCATIONS.
B. PLACE CURING COMPOUND ON EXPOSED CONCRETE SURFACES IMMEDIATELY AFTER FINISHING. APPLY IN ACCORDANCE WITH MANUFACTURER'S INSTRUCTIONS.
C. GENERAL: COMPACT AND TAMP CONCRETE AS SPECIFIED HEREIN (UNLESS RETARDANT FINISH IS SPECIFIED), TO BRING 3/8 INCH OF MORTAR TO SURFACE; FLOAT WITH WOOD SCREEDS AND FLOATS ONLY, AND APPLY FOLLOWING FINISHES AFTER SURFACE BY FLOATING. DO NOT USE STEEL OR ANY PLASTIC SCREEDS, FLOATS OR 'FRESNO' FOR INITIAL FLOATING AND SCREEDING OPERATIONS.
D. ALL CONCRETE FINISHES SHALL BE AS LISTED ON THE DRAWINGS. FINISHES ARE AS FOLLOWS:
1. RETARDANT FINISH:
a. CONCRETE MIX DESIGN: AN EXTREMELY COARSE MIXING CONTAINS THE GREATEST POSSIBLE PERCENTAGE OF 3/8" TOP SIZE AGGREGATE AND A MINIMUM AMOUNT OF MIXING WATER SHOULD BE USED. AGGREGATE/SAND RATIO TO BE 70% AGGREGATE TO 30% SAND.
b. PREPARATORY WORK: THE CONCRETE SHOULD BE PLACED AND CONSOLIDATED SO AS TO COMPLETELY FILL ALL SPACES IN THE FORMS. TAMPERING WILL NOT BE PERMITTED BECAUSE THE AGGREGATE MUST REMAIN NEAR THE SURFACE FOR LATER EXPOSURE. APPLY A WOOD FLOAT FINISH WHICH WILL PERMIT 3/16" OF AGGREGATE EXPOSURE.
c. APPLICATION OF RETARDER: AS SOON AS THE FOLLOWING HAS BEEN COMPLETED, APPLY THE RETARDER AND 'LITHOTEX' BY LM. SCOFIELD (213/725-7112) PER SCOFIELD'S APPLICATION INSTRUCTION T-203.03. ONCE THE RETARDER HAS BEEN APPLIED, COVER THE SURFACE WITH PLASTIC SHEETING OR CURING PAPER TO ACHIEVE DEEPER AGGREGATE REVEAL.
d. AGGREGATE EXPOSURE: THE RETARDER SHOULD BE REMOVED BETWEEN EIGHT AND TWENTY HOURS AFTER PLACEMENT BY SANDBLASTING OR WITH A COARSE-FIBERED OR RUST RESISTANT WIRE SCRUB BRUSH AND JET OF WATER. A CLEAN SEALER SHALL BE APPLIED SO THAT THE SURFACE SHALL BE COVERED AFTER AGGREGATE EXPOSURE WITH NEW, NON-STAINING PAPER.
2. BROOM FINISH: IMMEDIATELY AFTER SLAB HAS BEEN SCREEDED AND FLOATED, THE SURFACE SHALL BE BROOMED IN DIRECTION/DEPTH AS INDICATED ON DRAWINGS WITH A STIFF BRISTLE BROOM.
3. ROUGH TROWEL SWIRL FINISH: PROVIDE ROUGH TROWEL FINISH TO SLAB SURFACES. AFTER PLACING SLABS, CONSOLIDATE SURFACE BY FLOATING TO A UNIFORM, SMOOTH, GRANULAR TEXTURE.
4. STEEL TROWEL FINISH: AFTER SURFACE WATER DISAPPEARS AND FLOATED SURFACE IS SUFFICIENTLY HARDENED, STEEL TROWEL AND RETROWEL TO SMOOTH, DENSE, HARD FINISH. AFTER CONCRETE HAS SET ENOUGH, RETROWEL TO A SMOOTH, UNIFORM FINISH FREE OF TROWEL MARKS OR OTHER BLEMISHES. AVOID EXCESSIVE TROWELING THAT PRODUCES BURNED AREAS.

02514 PORTLAND CEMENT CONCRETE PAVING (CONT.)

- 5. SANDBLAST FINISH:
a. ALL WORK SHALL CONFORM TO APPLICABLE OSHA AND EPA STANDARDS.
b. CONTRACTOR SHALL SCHEDULE THIS WORK TO BE EXECUTED WITH AS LITTLE CONFLICT WITH OTHER TRADES AS POSSIBLE. IF NECESSARY, CONTRACTOR SHALL BE RESPONSIBLE FOR THE PROTECTION OR MASKING OF ADJACENT SURFACES.
c. TEST AREAS FOR SAMPLE OF BLASTING WILL BE ESTABLISHED WHERE SURFACED WILL NOT BE LEFT EXPOSED. LANDSCAPE ARCHITECT SHALL BE PRESENT AT TIME OF SAMPLE BLASTING AND APPROVE THE DESIRED FINISH.
d. CARE SHALL BE TAKEN TO PROTECT ALL ADJACENT SURFACES FROM DAMAGE WHICH ARE NOT RECEIVING SANDBLASTING.
e. SANDBLASTING SHALL BE ACCOMPLISHED USING QUALIFIED WORKMEN FAMILIAR WITH THE PROPER TECHNIQUE.
f. SANDBLASTING WORK SHALL BE BY THE DRY-SAND METHOD, UTILIZING APPROPRIATE EQUIPMENT AND ADEQUATE AIR PRESSURE. ABRASIVES SHALL BE WASHED SILICA SAND FREE FROM SALT, CLAY OR OTHER FOREIGN MATERIALS. NOZZLE POSITION DURING THE OPERATION SHALL BE AS DETERMINED IN THE MAKING OF THE APPROVED SAMPLES.
g. ALL CONCRETE AREAS REQUIRING PATCHING SHALL BE PATCHED, WITH ALL ROUGH SPOTS AND UNEVENNESS IN THE CONCRETE SURFACE GROUND SMOOTH BEFORE THE SANDBLASTING OPERATION IS BEGUN.
h. WASH DOWN CONCRETE SANDBLASTED SURFACES PROMPTLY TO REMOVE SAND AND DUST. UPON COMPLETION, REMOVE FROM SITE ALL SURPLUS AND WASTE MATERIALS.
E. CONCRETE SURFACE SEALER: SURFACE SEALER: ALL CONCRETE THAT HAS EITHER BEEN SANDBLASTED OR RETARDANT FINISHED SHALL BE SEALED WITH A CLEAR, PENETRATING CONCRETE SEALER. IF EFFLORESCENCE OR ALKALI-STAINING IS EVIDENT AFTER THE CONCRETE HAS CURED, LIGHTLY WASH THE AGGREGATE SURFACE WITH A MILD MURIATIC ACID SOLUTION (USUALLY A 10:1 DILUTION) THAT HAS BEE THOROUGHLY RINSED WITH WATER AND CLEANED WITH DILUTED LITHOCHROME "FLOOR CLEANER" BY L.M. SCOFIELD OR EQUAL. RINSE AGAIN AND DRY THOROUGHLY. AFTER CONCRETE MIX HAS CURED AT LEAST A MONTH, THE CONCRETE SURFACE SHALL BE THOROUGHLY WASHED WITH FRESH, CLEAN WATER. AFTER SURFACE IS THOROUGHLY DRIED, APPLY ONE COAT OF AQUA-MIX PENETRATING SEALER (213) 946-6877, AT THE RATE OF 200 SF PER GALLON. ALLOW 24 HOURS BEFORE APPLYING WATER TO VERIFY IF WATER BEADS. IF NOT, APPLY A LIGHT SECOND COAT. REFER TO AQUA-MIX SPECIFICATIONS FOR COMPLETE INSTRUCTIONS.
3.8 FIELD QUALITY CONTROL
A. FIELD INSPECTION AND TESTING WILL BE PERFORMED UNDER PROVISION OF SECTION 01400.
B. MAINTAIN RECORDS OF PLACED CONCRETE ITEMS, RECORD DATE, LOCATION OF POUR, QUANTITY, AIR TEMPERATURE, AND TEST SAMPLES TAKEN.
3.9 PROTECTION
A. IMMEDIATELY AFTER PLACEMENT, PROTECT CONCRETE UNDER FROM PREMATURE DRYING, EXCESSIVE HOT OR COLD TEMPERATURES, AND MECHANICAL INJURY.

02811 LANDSCAPE IRRIGATION

- PART 1 - GENERAL
1.1 WORK INCLUDED
A. PIPE AND FITTINGS, VALVES, SPRINKLERS, BUBBLERS, AND ACCESSORIES.
B. CONNECTION TO UTILITIES.
C. CONTROL SYSTEM.
1.2 RELATED WORK
A. SECTION 02950: TREES, PLANTS, AND GROUND COVER.
1.3 REFERENCES
A. ANSI/ASTM D2282 -ACRYLONITRILE-BUTADIENE-STYRENE (ABS) PLASTIC PIPE (SDR-PR).
B. ANSI/ASTM D2564 -SOLVENT CEMENT FOR POLY (VINYL CHLORIDE) (PVC) PLASTIC PIPE AND FITTINGS.
C. ASTM B32 -SOLDER METAL.
D. ASTM B88 -SEAMLESS COPPER WATER TUBE.
E. ASTM D2235 -SOLVENT CEMENT FOR ACRYLONITRILE-BUTADIENE-STYRENE (ABS) PLASTIC PIPE AND FITTINGS.
F. ASTM D2241 -POLY (VINYL CHLORIDE) (PVC) PLASTIC PIPE (SDR-PR).
G. FS O-F-506 -FLUX, SOLDERING; PASTE AND LIQUID.
1.4 SYSTEM DESCRIPTION
A. ELECTRIC SOLENOID CONTROLLED UNDERGROUND IRRIGATION SYSTEM, WITH LOW POINT SELF DRAIN.
1.5 SUBMITTALS
A. SUBMIT UNDER PROVISIONS OF SECTION 01330.
B. SHOP DRAWINGS: INDICATE PIPING LAYOUT TO WATER SOURCE, LOCATION OF SLEEVES UNDER PAVEMENT, LOCATION AND COVERAGE OF SPRINKLER HEADS, PLANT AND LANDSCAPING FEATURES, SITE STRUCTURES, SCHEDULE OF FITTINGS TO BE USED.
C. PRODUCT DATA: PROVIDE COMPONENT & CONTROL SYSTEM & WIRING DIAGRAMS.
D. SAMPLES: PROVIDE ONE OUTLET OF EACH TYPE, WITH HOUSING. ACCEPTED SAMPLES MAY BE USED IN WORK.
E. MANUFACTURER'S INSTALLATION INSTRUCTIONS: INCLUDE CONTROLLER.
F. CONTROLLER CHARTS:
1. PROVIDE ONE CONTROLLER CHART FOR EACH CONTROLLER.
2. SHOW AREA CONTROLLED BY AUTOMATIC CONTROLLER. PROVIDE CHART OF MAXIMUM SIZE CONTROLLER DOOR WILL ALLOW.
3. USE REDUCED ACTUAL RECORD DRAWING FOR CHART, EXCEPT WHEN CONTROLLER SEQUENCE IS ILLEGIBLE AFTER REDUCTION, THEN ENLARGE TO READABLE SIZE.
4. USE DIFFERENT COLORS TO INDICATE COVERAGE OF EACH STATION.
5. SEAL COMPLETED AND APPROVED DRAWINGS BETWEEN 10 ML THICK PLASTIC SHEETS.
TOOLS AND EQUIPMENT: SUPPLY THE FOLLOWING TO THE OWNER AT COMPLETION OF PROJECT:
1. TWO SETS OF SPECIAL TOOLS REQUIRED FOR REMOVING, DISASSEMBLING & ADJUSTING EACH TYPE OF SPRINKLER AND VALVE SUPPLIED ON PROJECT.
2. TWO 5 FOOT VALVE KEYS FOR OPERATION OF GATE VALVES.
3. TWO KEYS FOR EACH AUTOMATIC CONTROLLER.
4. ONE QUICK COUPLER KEY AND MATCHING HOSE SWIVEL FOR EVERY FIVE OF EACH TYPE OF QUICK COUPLING VALVES SUPPLIED ON PROJECT.
1.6 PROJECT RECORD DOCUMENTS
A. SUBMIT UNDER PROVISIONS OF SECTION 01700.
B. ACCURATELY RECORD ACTUAL LOCATIONS OF PIPING SYSTEM AND VALVES.
C. DIMENSION FROM TWO PERMANENT POINTS OF REFERENCE SUCH AS BUILDING CORNERS, SIDEWALKS, OR ROAD INTERSECTIONS, THE LOCATION OF THE FOLLOWING:
1. CONNECTION TO WATER LINES.
2. CONNECTION TO ELECTRICAL POWER.
3. GATE VALVES.
4. ROUTING OF SPRINKLER PRESSURE LINES (DIMENSION MAX. 100 FT ROUTE).
5. SPRINKLER CONTROL VALVES.
6. ROUTING OF CONTROL WIRING.
7. QUICK COUPLING VALVES.
8. OTHER RELATED EQUIPMENT.

- 1.7 OPERATION AND MAINTENANCE DATA
A. SUBMIT UNDER PROVISIONS OF SECTION 01700.
B. PROVIDE INSTRUCTIONS IN ENGLISH OR AMERICAN FOR OPERATION AND MAINTENANCE OF SYSTEM AND CONTROLS, SEASONAL ACTIVATION AND SHUTDOWN, AND MANUFACTURER'S PARTS CATALOG.
C. PROVIDE SCHEDULE INDICATING LENGTH OF TIME EACH VALVE IS REQUIRED TO BE OPEN TO PROVIDE A DETERMINED AMOUNT OF WATER.
1.8 REGULATORY REQUIREMENTS
A. CONFORM TO APPLICABLE CODE FOR PIPING AND COMPONENT REQUIREMENTS.
B. PROVIDE CERTIFICATE OF COMPLIANCE FROM AUTHORITY HAVING JURISDICTION INDICATING APPROVAL OF PRODUCTS IN SYSTEM.
1.9 FIELD MEASUREMENTS
A. VERIFY THAT FIELD MEASUREMENTS ARE AS SHOWN ON DRAWINGS.

02811 LANDSCAPE IRRIGATION (CONT.)

- 1.10 EXTRA MATERIALS
PROVIDE THE FOLLOWING EXTRA COMPONENTS UNDER PROVISIONS OF SECTION 01700:
1. TWO SPRINKLER HEADS OF EACH TYPE AND SIZE.
2. TWO VALVE KEYS FOR MANUAL VALVES.
3. TWO VALVE BOX KEYS.
4. TWO WRENCHES FOR EACH TYPE HEAD CORE AND FOR REMOVING AND INSTALLING EACH TYPE HEAD.
1.11 GUARANTEE
A. ON COMPANY LETTERHEAD, RE-TYPE THE FOLLOWING INFORMATION AND PROVIDE TO OWNER AT COMPLETION OF PROJECT:
GUARANTEE FOR SPRINKLER IRRIGATION SYSTEM
WE HEREBY GUARANTEE THAT THE SPRINKLER IRRIGATION SYSTEM WE HAVE FURNISHED & INSTALLED IS FREE FROM DEFECTS IN MATERIALS & WORKMANSHIP & THE WORK HAS BEEN COMPLETED IN STRICT ACCORDANCE WITH THE CONTRACT DOCUMENTS; ORDINARY WEAR & TEAR & UNUSUAL ABUSE, OR NEGLECT EXCEPTED. WE AGREE TO REPAIR OR REPLACE DEFECTS IN MATERIALS & WORKMANSHIP, INCLUDING DAMAGES CONSEQUENTIAL TO DEFECTS IN MATERIALS OR WORKMANSHIP, WHICH DEVELOP DURING ONE YEAR AFTER COMPLETION & ACCEPTANCE OF WORK, AT NO COST TO OWNER. WE AGREE TO MAKE SUCH REPAIRS & REPLACEMENTS WITHIN A REASONABLE TIME, AS DETERMINED BY OWNER, AFTER RECEIPT OF NOTICE, IN A REASONABLE TIME AFTER NOTIFICATION BY OWNER, WE AUTHORIZE OWNER TO PROCEED TO HAVE SUCH REPAIRS & REPLACEMENTS MADE AT OUR EXPENSE & WE WILL PAY ALL COSTS AND CHARGES UPON DEMAND.
PROJECT:
LOCATION:
SIGNED:
OWNER:
CONTRACT NO.:
ADDRESS:
DATE OF ACCEPTANCE:
PART 2 - PRODUCTS
2.1 MANUFACTURERS
A. NIBCO PRODUCT GATE VALVES.
B. FEBCO PRODUCT BACKFLOW PREVENTERS.
C. VALCON PRODUCT CHECK VALVES.
D. CARSON INDUSTRIES PRODUCT CONTROL VALVE BOXES.
E. RAINDIR CONTROLLERS, REMOTE CONTROL VALVES, SPRINKLERS, & BUBBLERS.
F. SUBSTITUTIONS: UNDER PROVISIONS OF SECTION 01600.
2.2 MATERIALS
A. PIPE: PVC IN ACCORDANCE WITH ASTM D2241; 200 PSI PRESSURE RATED UPSTREAM FROM CONTROLS, 160 PSI DOWNSTREAM; SOLVENT-WELD SOCKETS; 2 INCHES & LARGER: CLASS 315; 1-1/2 INCHES & SMALLER: SCHEDULE 40; CLASS 200. PIPE: ASTM 888, TYPE K DRAWN TEMPER COPPER.
B. FITTINGS: NSF APPROVED, TYPE AND STYLE OF CONNECTION TO MATCH PIPE.
C. SOLVENT CEMENT: ANSI/ASTM D2564 FOR PVC PIPE AND FITTINGS.
D. SLEEVE MATERIAL: PVC SCHEDULE 40.
E. ABOVE-GRADE PIPE: UV-RESISTANT PVC IN ACCORDANCE WITH ASTM D2241; 200 PSI PRESSURE RATED UPSTREAM FROM CONTROLS, 160 PSI DOWNSTREAM; SOLVENT-WELD SOCKETS; 2 INCHES & LARGER: CLASS 315; 1-1/2 INCHES & SMALLER: SCHEDULE 40.
2.3 OUTLETS
A. ROTARY TYPE SPRINKLER HEAD: POP-UP TYPE WITH SCREENS; FULLY ADJUSTABLE FOR FLOW AND PRESSURE; SIZE AS INDICATED; WITH LETTER OR SYMBOL DESIGNATING DEGREE OF ARC AND ARROW INDICATING CENTER OF SPRAY PATTERN.
B. SPRAY TYPE SPRINKLER HEAD: POP-UP HEAD WITH FULL CIRCLE, HALF CIRCLE, THIRD CIRCLE, QUARTER CIRCLE, SQUARE PATTERN.
C. BUBBLER: ADJUSTABLE OUTLET.
D. QUICK COUPLER: WITH LOCKING COVER.
2.4 VALVES
A. GATE VALVES: BRONZE CONSTRUCTION, NON-RISING STEM, INSIDE SCREW WITH THREADED ENDS.
B. BACKFLOW PREVENTERS: BRONZE BODY CONSTRUCTION, REDUCED PRESSURE ZONE TYPE.
C. VALVE BOX AND COVER: PLASTIC BODY CONSTRUCTION.
2.5 CONTROLS
A. CONTROLLER: AUTOMATIC CONTROLLER, MICROPROCESSOR SOLID STATE CONTROL WITH VISIBLE READOUT DISPLAY, TEMPORARY OVERRIDE FEATURE TO BYPASS CYCLE FOR INCLEMENT WEATHER, TIMER FOR A 40 STATION SYSTEM, PROGRAMMABLE FOR 14 DAYS IN ONE MINUTE INCREMENTS, WITH AUTOMATIC START AND SHUTDOWN.
B. CONTROLLER HOUSING: WEATHERPROOF, WATERIGHT, WITH LOCKABLE ACCESS DOOR.
C. ELECTRIC SOLENOID: NORMALLY CLOSED VALVES TO CONTROL WIRING, INCLUDING REQUIRED FITTINGS AND ACCESSORIES.
D. WIRE: COLOR CODED.
PART 3 - EXECUTION
3.1 EXAMINATION
A. VERIFY FIELD CONDITIONS ARE ACCEPTABLE & ARE READY TO RECEIVE WORK.
B. VERIFY LOCATION OF EXISTING UTILITIES.
C. VERIFY THAT REQUIRED UTILITIES ARE AVAILABLE, IN PROPER LOCATION AND READY FOR USE.
D. BEGINNING OF INSTALLATION MEANS INSTALLER ACCEPTS EXISTING CONDITIONS.
3.2 PREPARATION
A. PIPING LAYOUT INDICATED IS DIAGRAMMATIC ONLY. ROUTE PIPING TO AVOID PLANTS AND STRUCTURES.
B. LAYOUT AND STAKE LOCATIONS OF SYSTEM COMPONENTS.
C. REVIEW LAYOUT REQUIREMENTS WITH OTHER AFFECTED WORK. COORDINATE LOCATIONS OF SLEEVES UNDER PAVING TO ACCOMMODATE SYSTEM.
3.3 TRENCHING
A. TRENCH AND BACKFILL IN ACCORDANCE WITH SECTION 02225.
B. MINIMUM TRENCH WIDTH: 12 INCHES.
C. MINIMUM TRENCH DEPTH: 18 INCHES FOR PRESSURE SUPPLY LINES; 12 INCHES FOR NON-PRESSURE LINES; AND 18 INCHES FOR CONTROL WIRING.
D. TRENCH TO ACCOMMODATE GRADE CHANGES.
E. MAINTAIN TRENCHES FREE OF DEBRIS, MATERIAL, OR OBSTRUCTIONS THAT MAY DAMAGE PIPE.
3.4 INSTALLATION
A. INSTALL PIPE, VALVES, CONTROLS, AND OUTLETS IN ACCORDANCE WITH MANUFACTURER'S INSTRUCTIONS.
B. CONNECT TO WATER AND ELECTRICAL SERVICE.
C. SET SPRINKLER HEADS AND BOX COVERS AT FINISH GRADE ELEVATIONS.
D. PROVIDE FOR THERMAL MOVEMENT OF COMPONENTS IN SYSTEM.
E. USE THREADED NIPPLES FOR RISERS TO EACH OUTLET TO FACILITATE EASY REPLACEMENT.
F. INSTALL CONTROL WIRING. PROVIDE 10 INCH EXPANSION COIL AT EACH VALVE TO WHICH CONTROLS ARE CONNECTED, AND AT 100 FT INTERVALS. BURY WIRE BESIDE PIPE.
G. AFTER PIPING IS INSTALLED BUT BEFORE SPRINKLER HEADS ARE INSTALLED & BACKFILLING COMMENCES, OPEN VALVES & FLUSH SYSTEM WITH FULL HEAD OF WATER.
3.5 FIELD QUALITY CONTROL
A. FIELD INSPECTION AND TESTING WILL BE PERFORMED UNDER PROVISIONS OF SECTION 01400.
B. PRIOR TO BACKFILLING, TEST SYSTEM FOR LEAKAGE FOR WHOLE SYSTEM TO MAINTAIN 150 PSI PRESSURE FOR ONE HOUR. SYSTEM ACCEPTABLE IF NO LEAKAGE OR LOSS OF PRESSURE OCCURS DURING TEST PERIOD.

02811 LANDSCAPE IRRIGATION (CONT.)

- 3.6 BACKFILLING
A. PROVIDE 3 INCH SAND COVER OVER PIPING. BACKFILL TRENCH AND COMPACT TO SUBGRADE ELEVATION AS SPECIFIED IN OTHER SECTIONS OF THESE SPECIFICATIONS. PROTECT PIPING FROM DISPLACEMENT.
B. REPLACE DAMAGE BY THE WORK OF THIS SECTION WITH EQUIVALENT PRODUCTS.
3.7 INSTALLER'S FIELD SERVICES
A. PREPARE AND START SYSTEMS UNDER PROVISIONS OF SECTION 01600.
B. PROVE ONE COMPLETE SPRING STARTUP AND A FALL SHUTDOWN.
3.8 ADJUSTING
A. ADJUST WORK UNDER PROVISIONS OF SECTION 01600.
B. ADJUST CONTROL SYSTEM TO ACHIEVE TIME CYCLES REQUIRED.
C. CHANGE HEAD TYPES AS DIRECTED.
3.9 DEMONSTRATION
A. FLUSH AND ADJUST SPRINKLER HEADS FOR OPTIMUM PERFORMANCE AND TO PREVENT OVERSPRAY ONTO WALKS, ROADWAYS, PARKING AREAS, AND STRUCTURES.
B. IF IT IS DETERMINED THAT ADJUSTMENTS IN THE EQUIPMENT CAN MAKE THE SYSTEM MORE EFFECTIVE, MAKE THE APPROVED ADJUSTMENTS PRIOR TO PLANTING. ADJUSTMENTS COULD ALSO MEAN CHANGES IN NOZZLE SIZES & DEGREES OF ARC.
C. LOWERING RAISED SPRINKLER HEADS MUST BE ACCOMPLISHED WITHIN 10 DAYS AFTER NOTIFICATION BY OWNER.
D. SET SPRINKLER HEADS PERPENDICULAR TO FINISHED GRADES UNLESS OTHERWISE SHOWN ON DRAWINGS OR DIRECTED BY LANDSCAPE ARCHITECT.
E. ENSURE COMPLETE SUCCESSFUL SYSTEM OPERATION FOR 7 DAYS UNDER AUTOMATIC OPERATION PRIOR TO ANY SUBSEQUENT CONSTRUCTION OPERATIONS SUCH AS PLANTINGS.
3.11 FIELD OBSERVATIONS
A. PROVIDE THE FOLLOWING OBSERVATIONS CONDUCTED BY THE LANDSCAPE ARCHITECT, SCHEDULED AS SPECIFIED:
1. PRE-JOB CONFERENCE - 7 CALENDAR DAYS.
2. PRESSURE SUPPLY LINE INSTALLATION AND TESTING - 48 HOURS.
3. AUTOMATIC CONTROLLER INSTALLATION - 48 HOURS.
4. CONTROL WIRE INSTALLATION - 48 HOURS.
5. LATERAL LINE AND SPRINKLER INSTALLATION - 48 HOURS.
6. COVERAGE TEST - 48 HOURS.
7. FINAL INSPECTION - 7 CALENDAR DAYS.
B. WHEN OBSERVATIONS HAVE BEEN WITNESSED BY PARTIES TO THE CONTRACT OTHER THAN THE LANDSCAPE ARCHITECT, SHOW EVIDENCE OF SUCH IN WRITING.
C. SITE OBSERVATIONS CANNOT COMMENCE WITHOUT RECORD DRAWINGS. PARTY REQUESTING OBSERVATIONS ARE SUBJECT TO HOURLY REIMBURSEMENT TO OTHERS IF OBSERVATIONS ARE REQUESTED WITHOUT ALL OTHER REQUIREMENTS HAVING BEEN MET.



PROJECT NO:
FILENAME:
DRAWN BY: CHECKED BY:
PLOT DATE: 03-19-15
TITLE:

LANDSCAPE SPECIFICATIONS

DRAWING NO:

L400

