





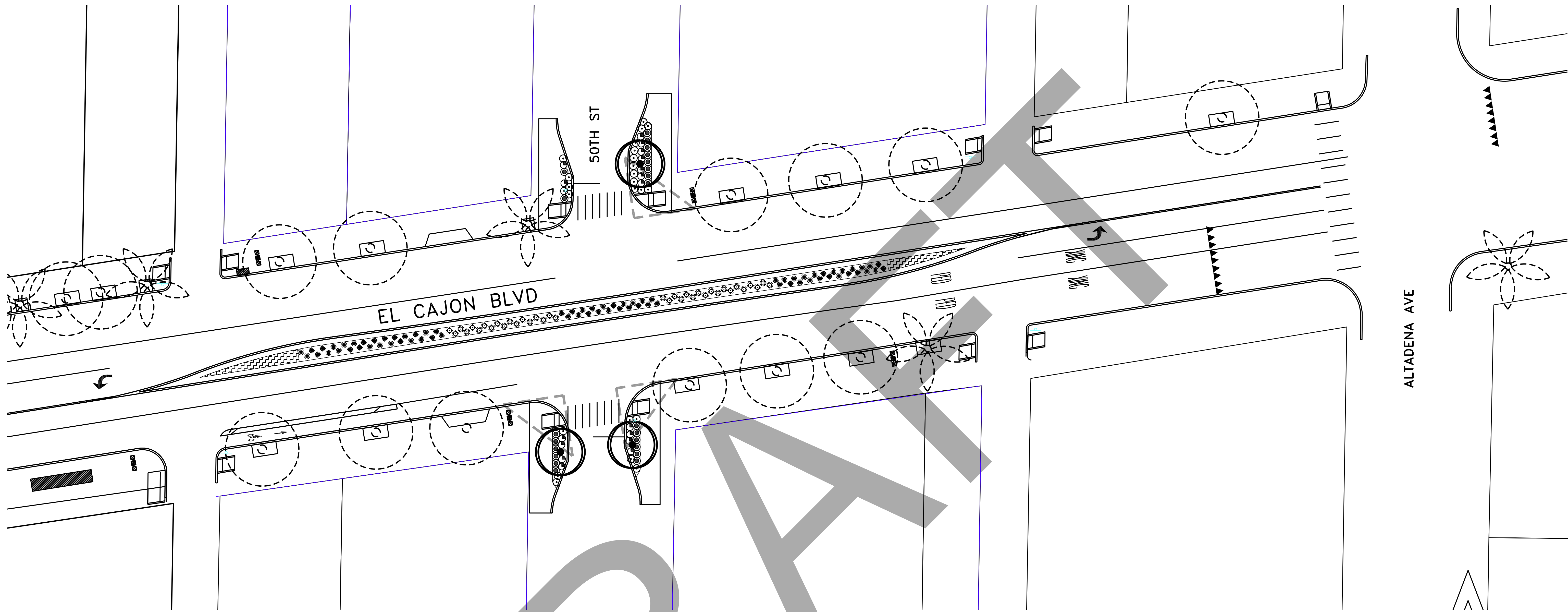






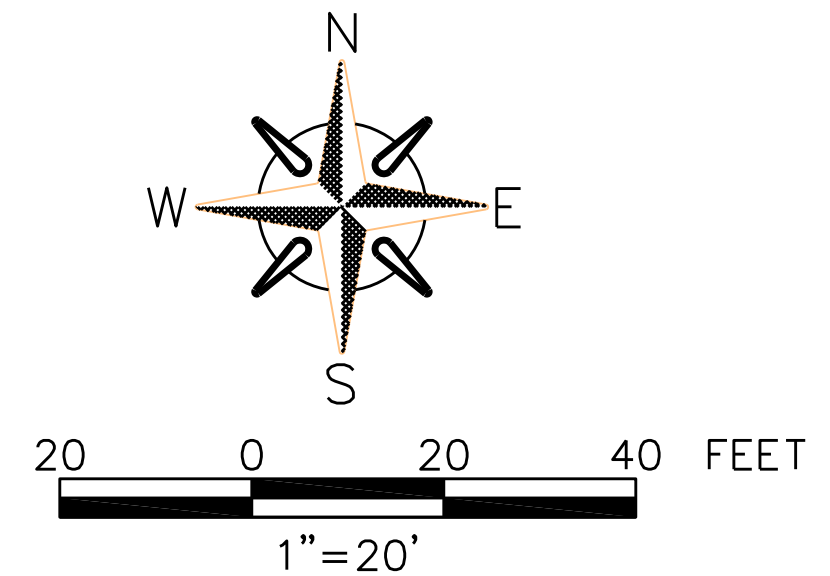
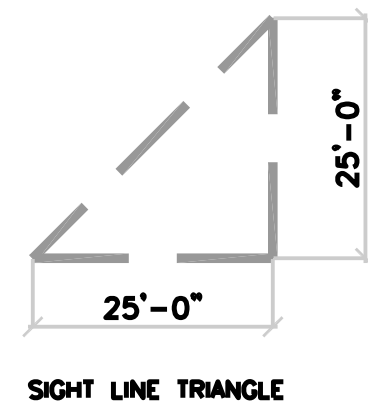


SEE SHEET L-6



**PLANTING LEGEND**

SYMBOL	BOTANICAL NAME	COMMON NAME	SIZE	REMARKS	HEIGHT X SPREAD
<b>TREES</b>					
	CASSIA LEPTOPHYLLA	YELLOW CASSIA	24" BOX	STANDARD	20' x 15'
	EXISTING STREET TREE				
	EXISTING PALM				
<b>GRASSES AND GROUNDCOVERS</b>					
	ACACIA COGNATA 'COUSIN ITT'	LITTLE RIVER WATTLE	5 GAL	-	4' x 5'
	LOMANDRA 'BREEZE'	DWARF MAT RUSH	5 GAL	-	3' x 3'
	CHONDROPETALUM TECTORUM	CAPE RUSH	5 GAL	-	3' x 3'
	DIETES BICOLOR	FORTNIGHT LILY	5 GAL	-	3' x 3'
	DIANELLA 'SILVER STREAK'	'SILVER STREAK' FLAX LILY	5 GAL	-	2' x 3'
	DIANELLA 'LITTLE REV'	'LITTLE REV' FLAX LILY	1 GAL	-	2' x 3'
	ANGOOZANTHUS 'BIG RED'	'BIG RED' KANGAROO PAW	5 GAL	-	4' x 3'
	ANGOOZANTHUS 'BIG YELLOW'	'BIG YELLOW' KANGAROO PAW	5 GAL	-	4' x 3'
	DELOSPERMA NUBIGENUM	HARDY YELLOW ICEPLANT	1 GAL	-	1' x 4'
	RED IVY GERANIUM	RED IVY GERANIUM	1 GAL	48" O.C.	1' x 4'



L-7

EL CAJON BLVD  
CORRIDOR STUDY  
FAIRMOUNT AVE. TO 50TH ST.

CITY OF SAN DIEGO, CALIFORNIA  
ENGINEERING AND CAPITAL PROJECTS DEPARTMENT  
SHEET X OF XX SHEETS

APPROVED FOR CITY ENGINEER				DATE		DATE		DATE		DATE	
DESCRIPTION	BY	APPROVED	DATE	FILMED	SECTION HEAD		PROJECT MANAGER		COORDINATOR		
AS-BUILTS				DATE STARTED		DATE COMPLETED		CONTRACTOR		INSPECTOR	

CONSTRUCTION CHANGE / ADDENDUM			
CHANGE	DATE	AFFECTED OR ADDED SHEET NUMBERS	APPROVAL NO.

CONSULTANT  
**MARUM PARTNERSHIP**  
LANDSCAPE ARCHITECTURE - URBAN DESIGN - PLANNING  
10680 TREENA ST SUITE 100  
SAN DIEGO, CA 92131  
PHONE: 619-992-9533  
SCALE HORIZONTAL 1" = 20'  
VERTICAL NO SCALE



CITY OF SAN DIEGO  
PUBLIC WORKS PROJECT

WARNING  
IF THIS BAR DOES NOT MEASURE 1" THEN DRAWING IS NOT TO SCALE

SHEET 7 OF 7

EL CAJON BLVD CORRIDOR IMPROVEMENT STUDY - FAIRMOUNT AVENUE TO 50TH STREET