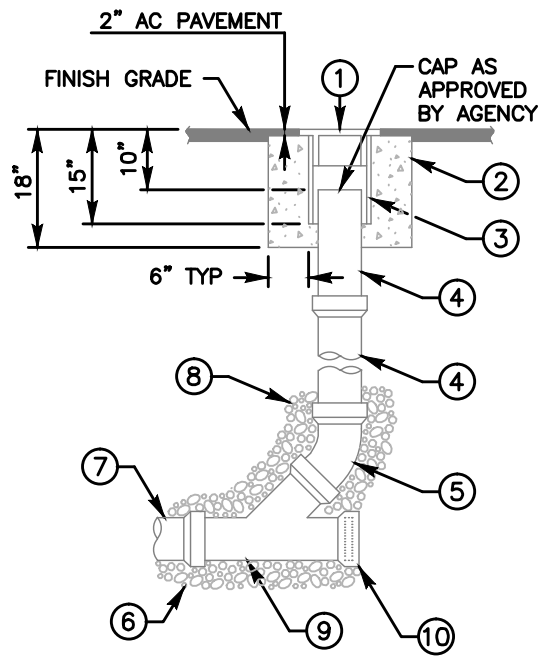


TYPE A
MAINS FOR 6" AND 8"



TYPE B
SEWER LATERAL
CLEANOUT

NOTES:

- 1) REFER TO AGENCY SPECIFICATIONS WHERE APPLICABLE
- 2) CLEANOUTS TO BE INSTALLED AT THE END OF MAINS WHERE INDICATED ON THE PLANS
- 3) CLEANOUT PIPE TO BE SAME SIZE AND MATERIAL AS SEWER MAIN UP TO 8"
- 4) BACKFILL TO TOP OF 45° BEND WITH 3/4" CRUSHED ROCK
- 5) MATERIALS SHALL BE SELECTED FROM THE AGENCY'S APPROVED MATERIALS LIST



LEGEND ON PLANS

ITEM NO	SIZE AND DESCRIPTION	ITEM NO	SIZE AND DESCRIPTION
①	12" CI CLEANOUT BOX COVER MARKED 'SEWER' AND AGENCY NAME AS REQUIRED	⑤	45° ELBOW
②	CONCRETE RING	⑥	3/4" CRUSHED ROCK PIPE BEDDING
③	12" PVC, C-900 x 15" LONG (CLEANOUT BOX)	⑦	SEWER MAIN
④	SIZE x REQUIRED LENGTH PVC PIPE	⑧	3/4" CRUSHED ROCK SEE NOTE 4
		⑨	STANDARD WYE BRANCH
		⑩	INSTALL PLUG AND CONCRETE LUG

Revision	By	Approved	Date	SAN DIEGO REGIONAL STANDARD DRAWING	SEWER CLEANOUT	RECOMMENDED BY THE SAN DIEGO REGIONAL STANDARDS COMMITTEE
ORIGINAL		Kercheval	12/75			<i>T. Stanton</i> 7/26/2012 Chairperson R.C.E. 19246 Date
Add Metric		T. Stanton	03/03			
Replaced S-03		J. Tomasulo	03/05			
Delete Metric	MR	B. KNOLL	03/11			
				DRAWING NUMBER	SC-01	