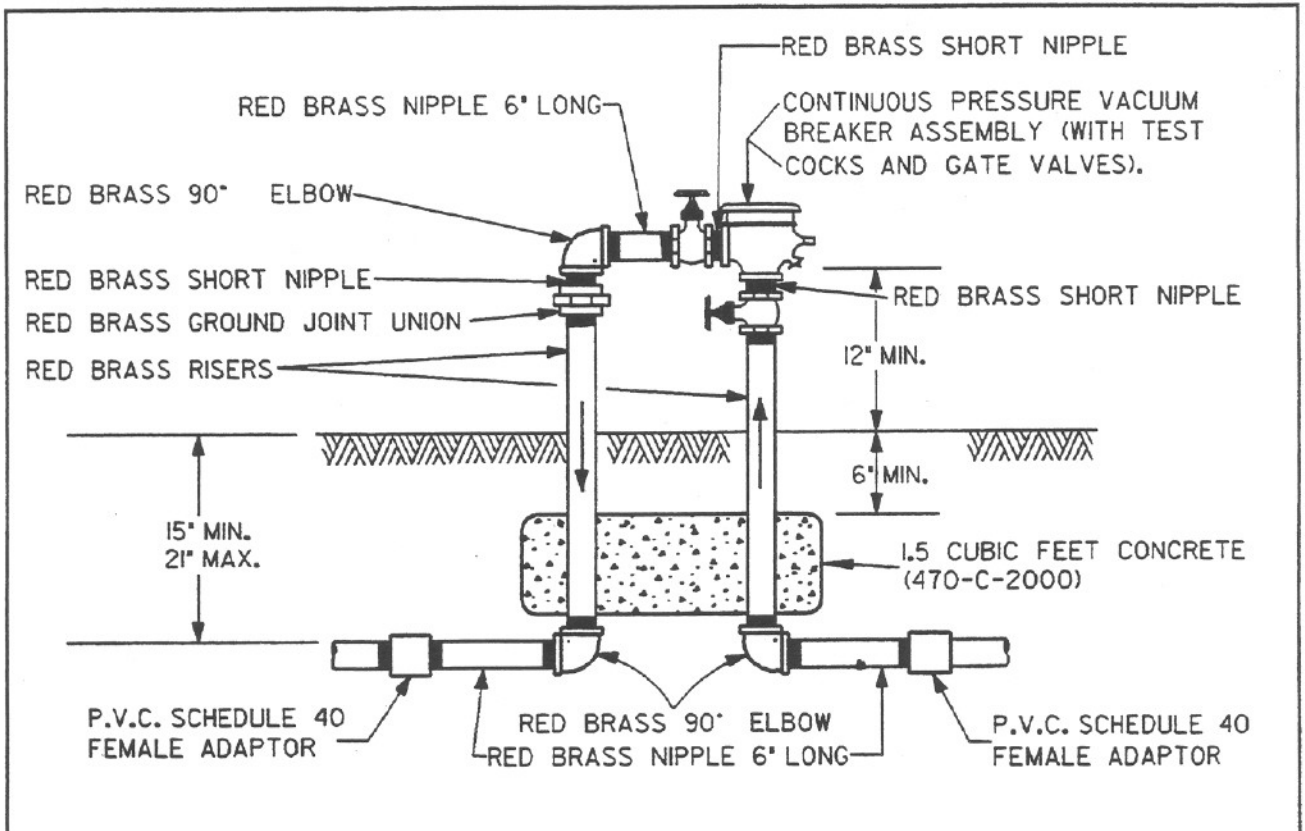


SPRINKLER IRRIGATION SYSTEMS



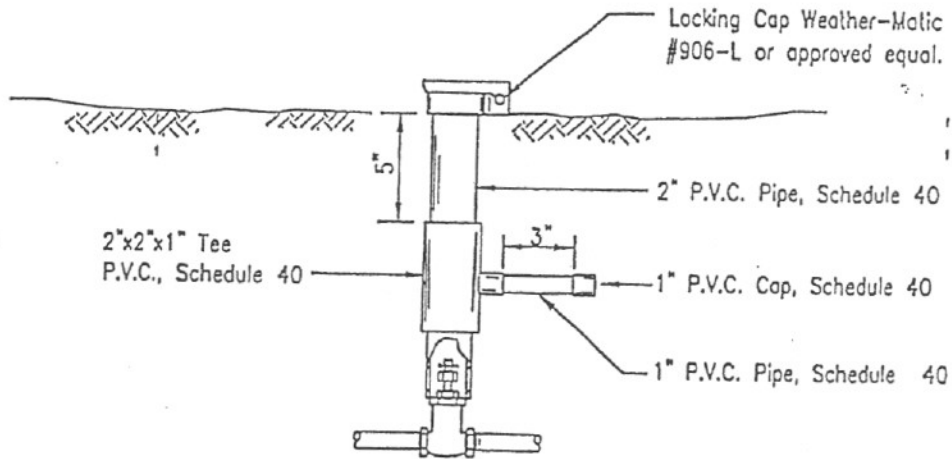
NOTES:

1. Continuous pressure vacuum breaker shall be installed approximately 12 inches above finished grade and at the highest point in the line.
2. Continuous pressure vacuum breaker shall not be subjected to back pressure or drainage
3. Teflon tape $\frac{3}{4}$ " in width shall be used on all threaded connections.
4. Close nipples shall not be used.
5. Backflow preventer assembly shall be tested upon installation by a San Diego County certified backflow device tester. Contractor shall provide Engineer with written test results completed by a certified backflow tester prior to backflow preventer acceptance by the Engineer.
6. If protective guard fence is specified, see Std. Dwg. SDI-102.

LEGEND ON PLANS



Revision	By	Approved	Date	CITY OF SAN DIEGO - STANDARD DRAWING	CITY OF SAN DIEGO STANDARDS COMMITTEE <i>Steve L. [Signature]</i> 2-7-95 COORDINATOR R.C.E. 25902 DATE
ORIGINAL		J.P. Casey	8-22-86		
BACKFLOW PREVENTOR PRESSURE VACUUM BREAKER TYPE (2-INCH & SMALLER)				DRAWING NUMBER	SDI-101



STANDARD PIPE SLEEVE
INSTALLATION

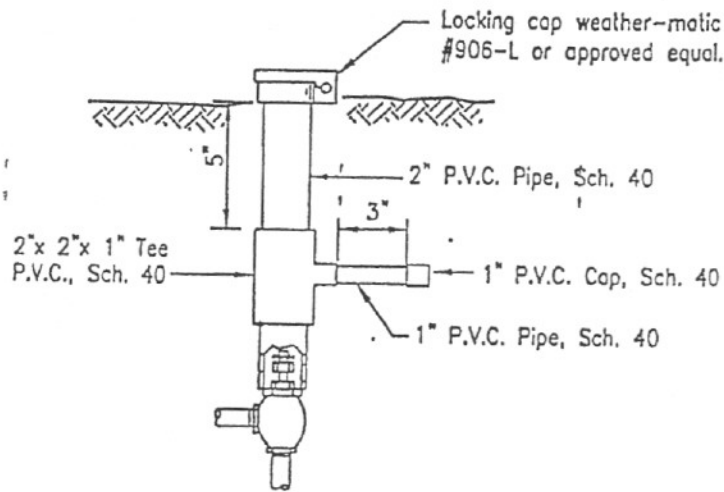
NOTES

1. All valves shall be furnished with a standard manual control valve bronze cross handle.
2. All valves shall be installed within 12" of the water main, unless otherwise shown on the plans.
3. Close nipples shall not be used.

LEGEND ON PLANS



CITY OF SAN DIEGO STANDARDS COMMITTEE <i>Blh</i> 12-9-03 Chairperson R.C.E. 04572 Date	CITY OF SAN DIEGO STANDARD DRAWING		Revision	By	Approved	Date
	GATE VALVE [2" AND SMALLER]		ORIGINAL		Kercheval	12/75
DRAWING NUMBER SDI-102			Dwg No	SM	Oskoui	12/03



STANDARD PIPE SLEEVE
INSTALLATION

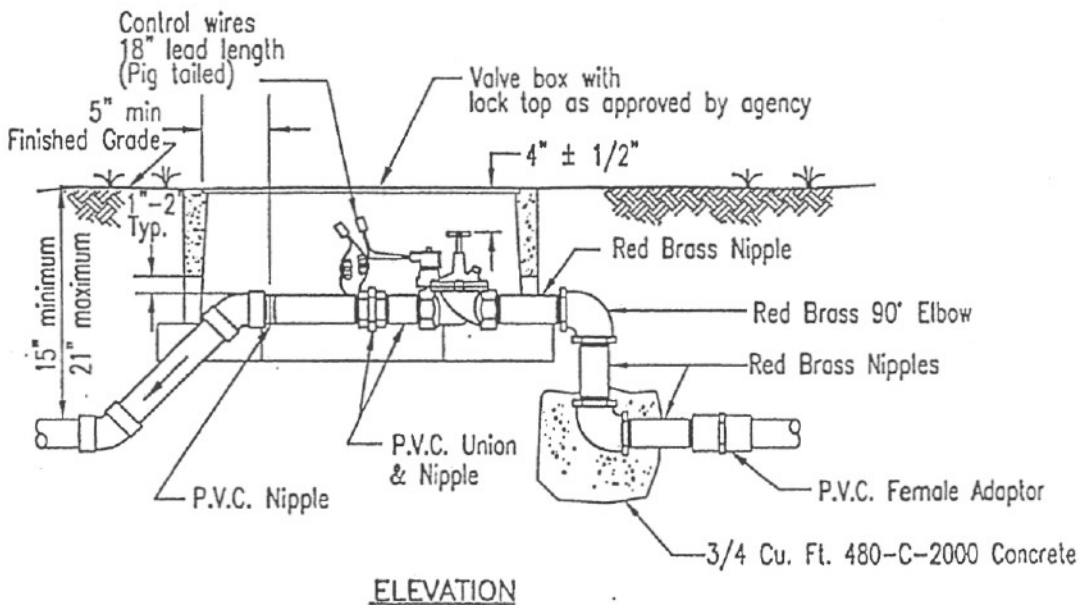
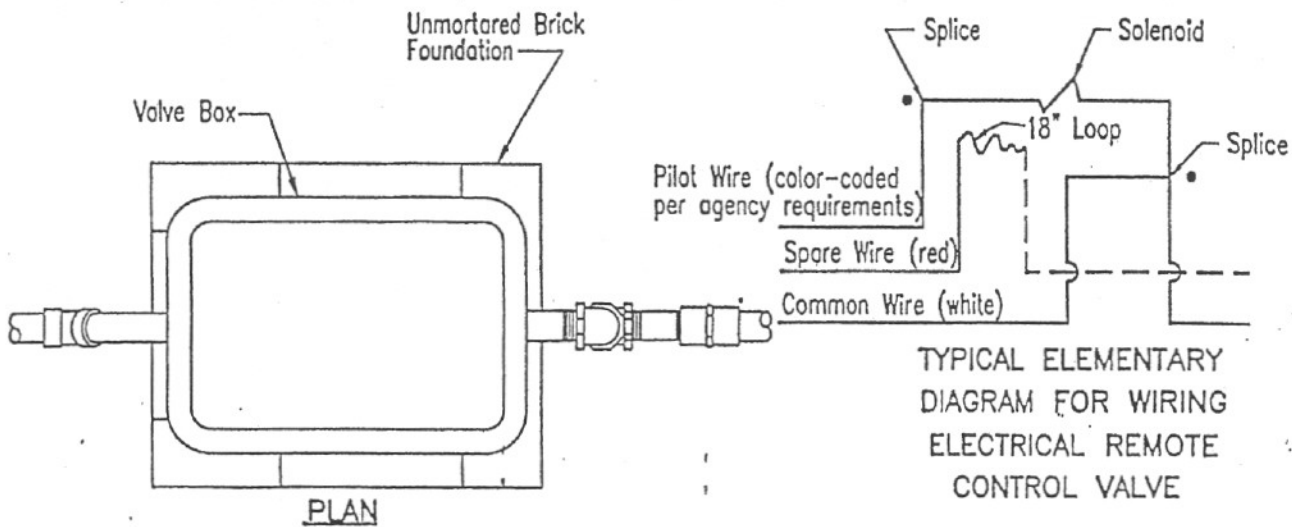
NOTES

1. All Manual Valves shall be furnished with a standard manual control valve bronze cross handle.
2. All valves shall be installed with 12" of water main, unless otherwise shown on the plans.
3. All Manual Valves shall be furnished with a removable bonnet and packing gland nut.
4. Close Nipples shall not be used.
5. Locking cap shall be mounted flush with finish grade in turf areas & 1 inch above finish grade in shrub areas.

LEGEND ON PLANS



Revision	By	Approved	Date	CITY OF SAN DIEGO STANDARD DRAWING	CITY OF SAN DIEGO STANDARDS COMMITTEE
ORIGINAL		A.Kercheval	12/75		
Dwg No	SM	Oskoui	12/03	MANUAL VALVES	<i>R. Li</i> 12-9-03 Chairperson P.C.E. #572 Date
				DRAWING NUMBER	SDI-103



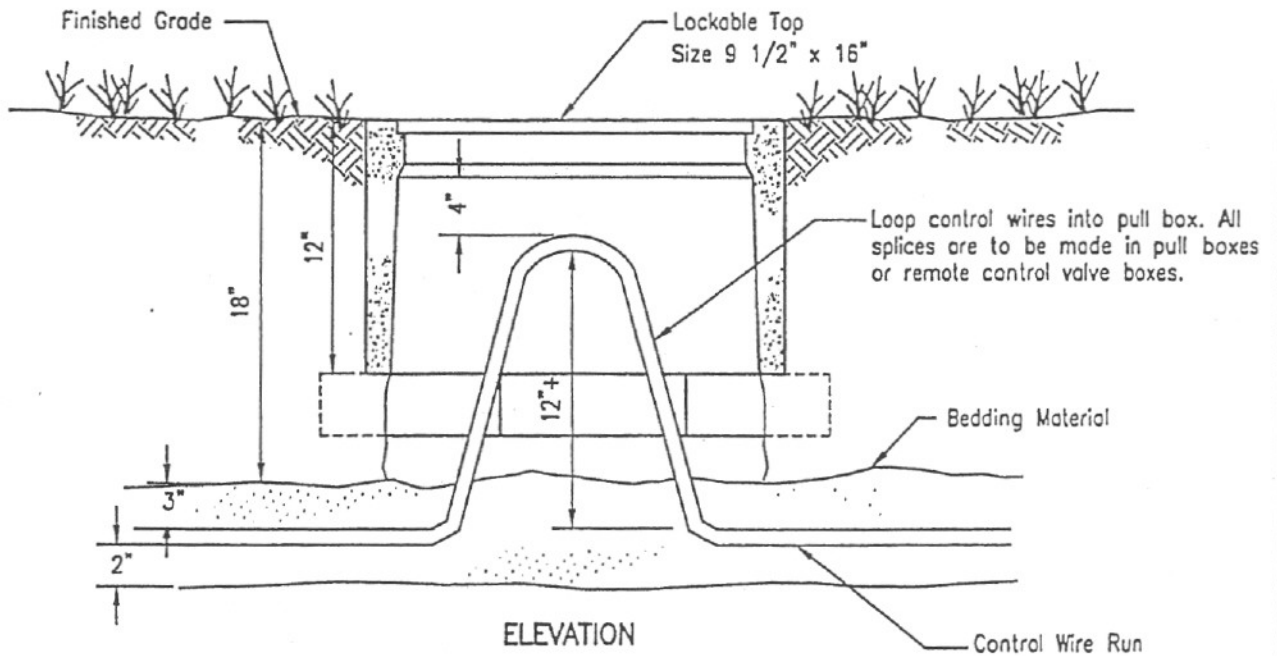
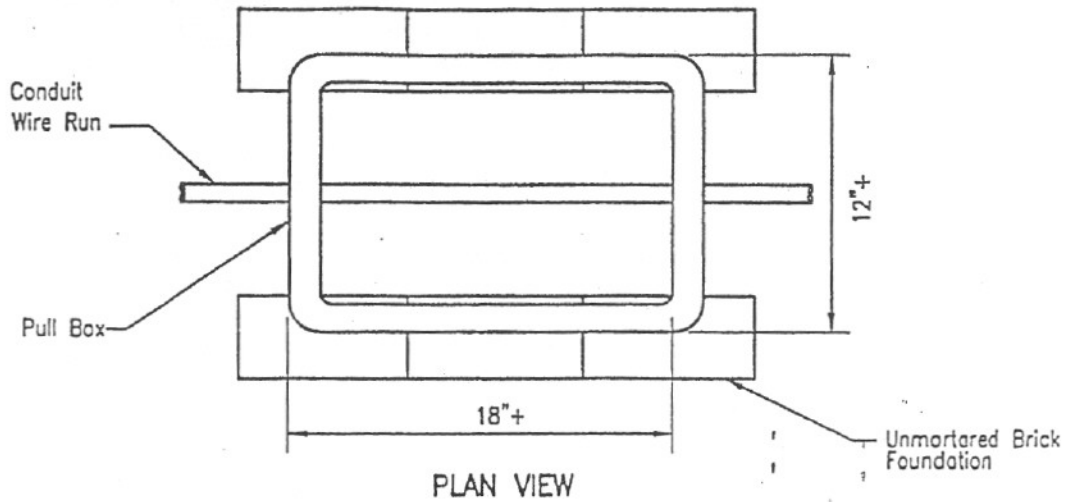
NOTES:

1. Splicing shall be made in valve boxes and pull boxes only. See Standard Drawing I-15 for splice details.
2. Close nipples shall not be used.
3. Spare wires terminating in valve boxes shall have their ends insulated, the same as for a splice.
4. When two or more valves are installed in the same location, they shall be in manifold using red brass fittings, with a globe valve installed at the start of the manifold.
5. All valves shall be installed with a union on the downstream side of the valve. The union shall be P.V.C.
6. Valve/controller identification shall be painted on the valve boxes. Use only 100% acrylic epoxy water proof paint. (White or yellow paint, unless otherwise specified by Agency.)
7. Clearance between piping and valve box shall be 1" to 2" typical.
8. Install only one valve per box.

LEGEND ON PLANS

▼ R.C.V

CITY OF SAN DIEGO STANDARDS COMMITTEE <i>R. L. G.</i> 12-9-03 Chalperson R.C.E. 64572 Date	CITY OF SAN DIEGO STANDARD DRAWING		Revision	By	Approved	Date
	REMOTE CONTROL VALVE		ORIGINAL		R. Munoz	3/97
DRAWING NUMBER SDI-104			Dwg. No	SM Oskoui		12/03



NOTES

1. Install pull boxes as shown on plans.
2. At junctions where runs combine, splice common ground in pull box.
3. Pull box cover shall be permanently marked "ELECTRIC".
4. Conductors for each controller clock shall be harnessed separately and at sufficient intervals to maintain a definite bundle.
5. All splices shall be made with a properly set mechanical splice connector entirely enclosed in self-curing resin and shall be completely water-proof.
6. All spare wire ends shall be insulated in the same manner as wire splices.
7. If specified, all splices shall be soldered with metallic alloy solder prior to installing connectors.
8. Wire bundles inside pull boxes shall be at least 4 inches from the under side of the box cover. Minimum size pull box shall be as shown above. Larger boxes may be necessary to meet 4 inch clearance required.

LEGEND ON PLANS



Revision	By	Approved	Date
ORIGINAL		A.Kercheval	12/75
Dwg No	SM	Oskoui	12/03

CITY OF SAN DIEGO STANDARD DRAWING

**ELECTRICAL PULL BOX
FOR DIRECT BURIAL CONTROL WIRES
AND SPLICE DETAILS**

CITY OF SAN DIEGO
STANDARDS COMMITTEE

R. L. Li 12-9-03
Chairperson R.C.E. 64572 Date

DRAWING NUMBER SDI-105