

LANDSCAPING


SUPPLEMENT TO REGIONAL STANDARD DRAWING (L-SERIES)

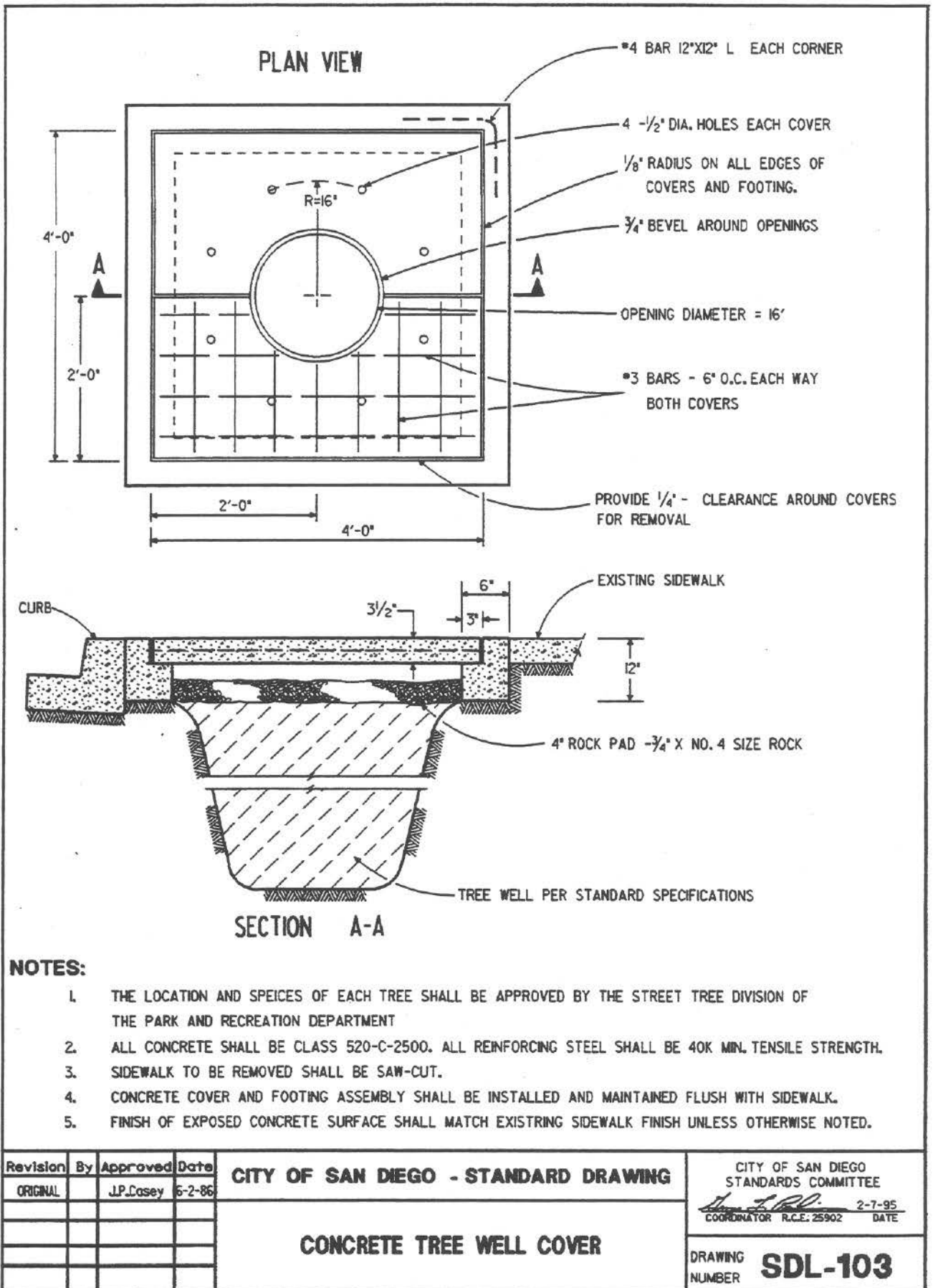
DRAWING L-4

- NOTES:
- Amend Note 3 to read: "Fill to within one inch (1") below bottom of grate with $\frac{3}{4}$ " x No.4 clean crushed rock. If required to secure the grate, all bolts, nuts, and washers shall be Grade 316 stainless steel. All fabricated steel items shall be hot dipped galvanized after fabrication.
 - Add: 6. Adjacent sidewalk shall have a minimum clear width of four feet inches (4'-4") from the edge of grate.
 - Add: 7. Sidewalk cross slope shall be 1.5%
 - Add: 8. Steel grate to have a permanent slip resistance finish.

DRAWING L-5

- NOTES:
- Amend Note 4 to read: "Pole pads shal drain 1.5% in the same slope direction as the sidewalk."

Revision	By	Approved	Date	CITY OF SAN DIEGO STANDARD DRAWING	CITY OF SAN DIEGO STANDARDS COMMITTEE
ORIGINAL		Porkinson	5/92		
NOTES	SM	Oskouf	12/03	SUPPLEMENT TO REGIONAL STANDARD DRAWING ("L" SERIES)	 Chairperson R.C.E. 64572 Date 12-9-03
				DRAWING NUMBER	SDL-100



NOTES:

1. THE LOCATION AND SPEICES OF EACH TREE SHALL BE APPROVED BY THE STREET TREE DIVISION OF THE PARK AND RECREATION DEPARTMENT
2. ALL CONCRETE SHALL BE CLASS 520-C-2500. ALL REINFORCING STEEL SHALL BE 40K MIN. TENSILE STRENGTH.
3. SIDEWALK TO BE REMOVED SHALL BE SAW-CUT.
4. CONCRETE COVER AND FOOTING ASSEMBLY SHALL BE INSTALLED AND MAINTAINED FLUSH WITH SIDEWALK.
5. FINISH OF EXPOSED CONCRETE SURFACE SHALL MATCH EXISTRING SIDEWALK FINISH UNLESS OTHERWISE NOTED.

Revision	By	Approved	Date
ORIGINAL		J.P. Casey	6-2-86

CITY OF SAN DIEGO - STANDARD DRAWING

CITY OF SAN DIEGO
STANDARDS COMMITTEE
[Signature] 2-7-95
COORDINATOR R.C.E.: 25902 DATE

CONCRETE TREE WELL COVER

DRAWING NUMBER **SDL-103**