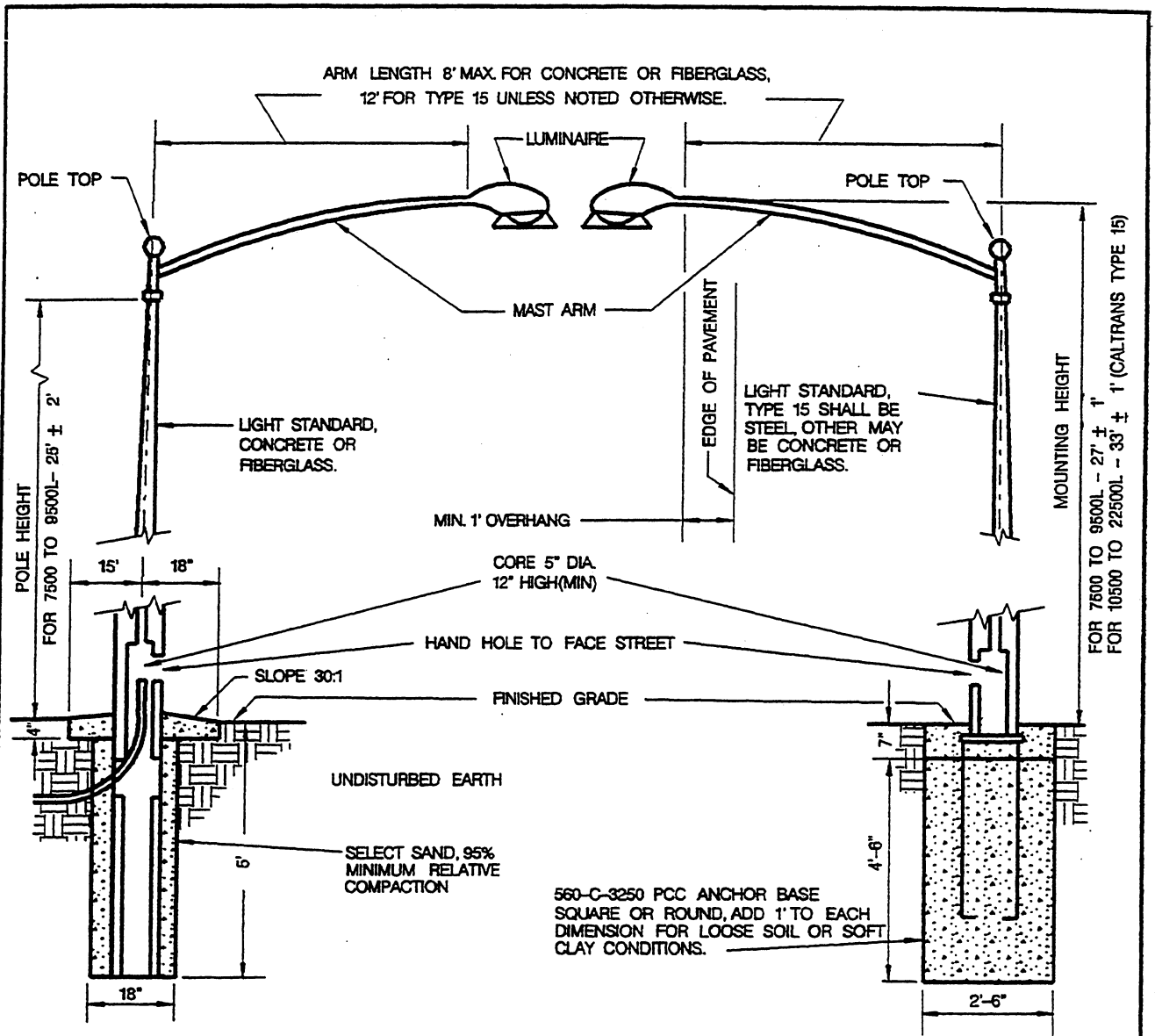


# ELECTRICAL SYSTEMS



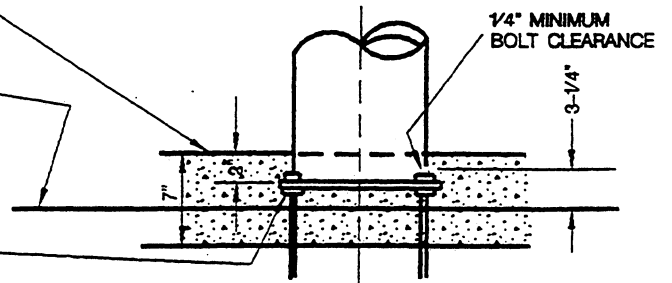
DIRECT BURIAL FOUNDATION

ANCHOR BASE FOUNDATION

FINISHED GRADE FOR CONCRETE STANDARDS.  
ANCHOR BOLTS MUST NOT PROTRUDE.

FINISHED GRADE FOR STEEL AND  
FIBERGLASS STANDARDS.  
PROVIDE ANCHOR BOLT NUT COVERS.

ANCHOR BOLTS (4 REQ.) 1"x 36"x 4" HOOK,  
GALV. USE TWO LEVELING NUTS WITH  
WASHERS (ALL GALV.) ON EACH BOLT.



Revision	By	Approved	Date
ORIGINAL		J.P. Casey	6-3-83

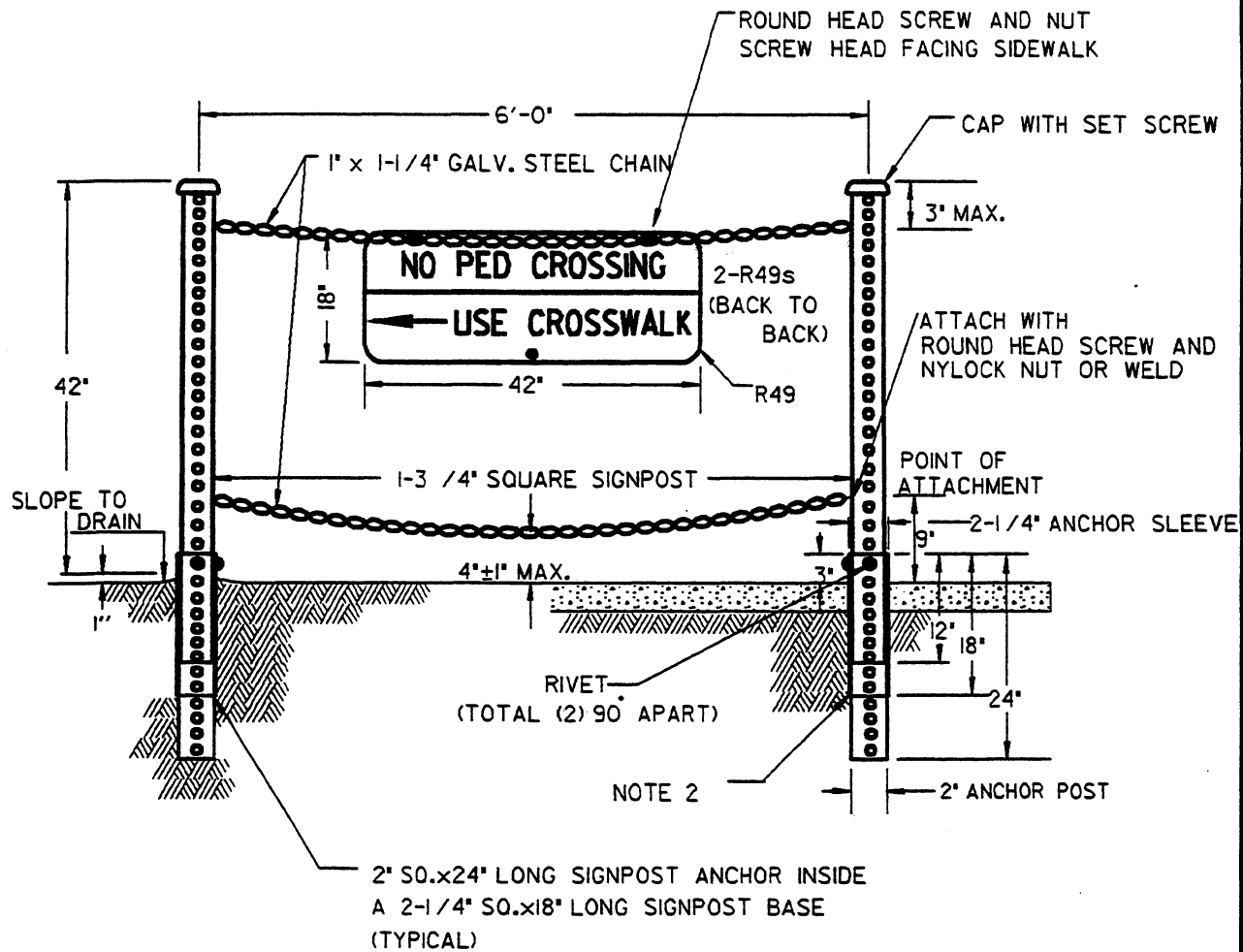
CITY OF SAN DIEGO - STANDARD DRAWING

CITY OF SAN DIEGO  
STANDARDS COMMITTEE

*[Signature]* 2-7-95  
COORDINATOR R.C.E. 25902 DATE

STREET LIGHTING STANDARD

DRAWING  
NUMBER **SDE-101**



**NOTES:**

1. POSTS TO BE SET 1'-6" BEHIND FACE OF CURB UNLESS OTHERWISE SPECIFIED.
2. IN EXISTING SIDEWALK AREA SET POSTS INTO 4" CORE BORING, PACK WITH GROUT.
3. R49 SIGNS ON ALUMINUM SHEETING CENTERED BETWEEN POSTS.

Revision	By	Approved	Date
ORIGINAL		J.P. Casey	8-23-88

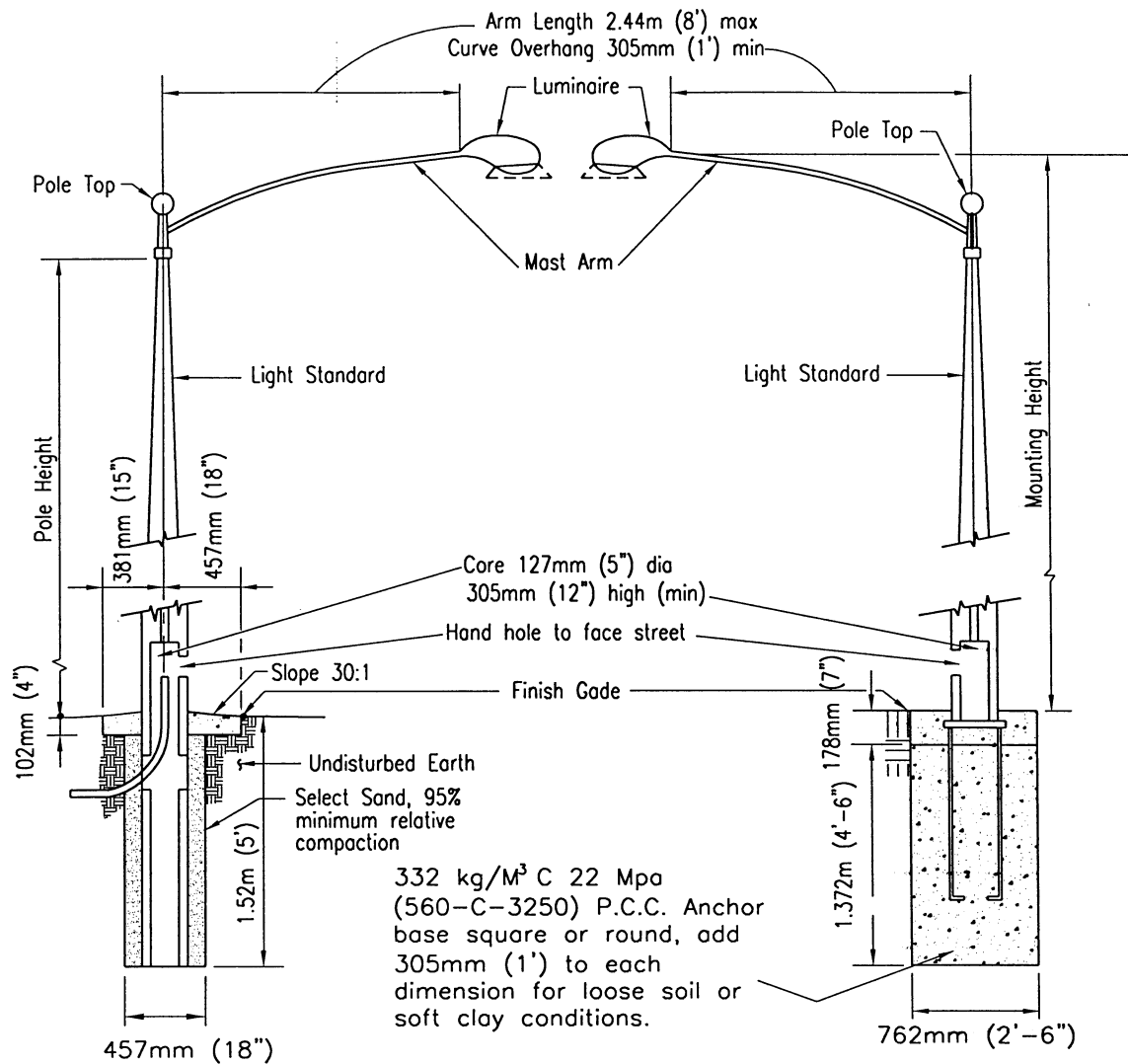
**CITY OF SAN DIEGO - STANDARD DRAWING**

**PEDESTRIAN BARRICADE**

CITY OF SAN DIEGO  
STANDARDS COMMITTEE

*[Signature]* 2-7-95  
COORDINATOR R.C.E. 25902 DATE

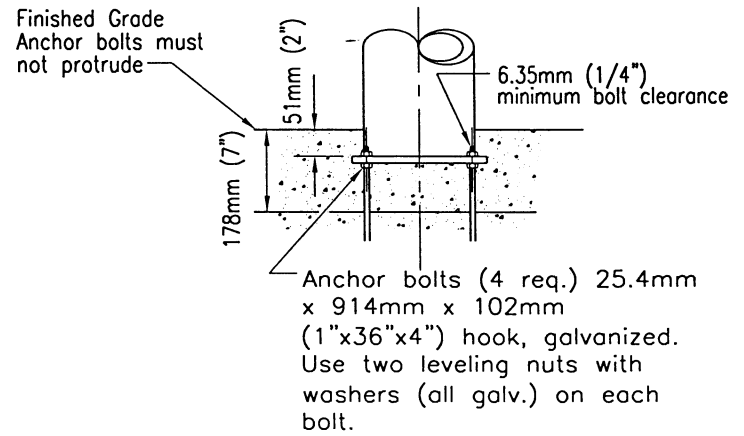
DRAWING NUMBER **SDE-103**



**DIRECT BURIAL FOUNDATION**

**ANCHOR BASE FOUNDATION**

POLE HEIGHT	MOUNTING HEIGHT	LAMP SIZE (WATTS)
7.62m ±610mm 25' ±2'	8.23m ±305mm 27' ±1'	170 M.V. 100 H.P.S. 90 L.P.S.
8.53m ±610mm 28' ±2'	9.14m ±305mm 30' ±1'	400 M.V. 250 H.P.S. 180 L.P.S.
7m 23' -0"	8.15m 26' -9"	70 H.P.S.
8.1m 26' -6"	9.14m 30' -0"	150 H.P.S.



Revision	By	Approved	Date
ORIGINAL		Kercheval	12/75
Add Table		M. Bahmanian	05/86
Add Metric		T. Stanton	03/03
Reviewed		T. Stanton	04/06

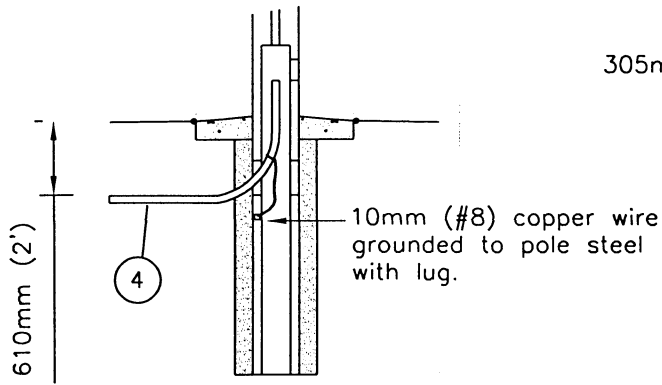
**SAN DIEGO REGIONAL STANDARD DRAWING**

**STREET LIGHTING STANDARD**

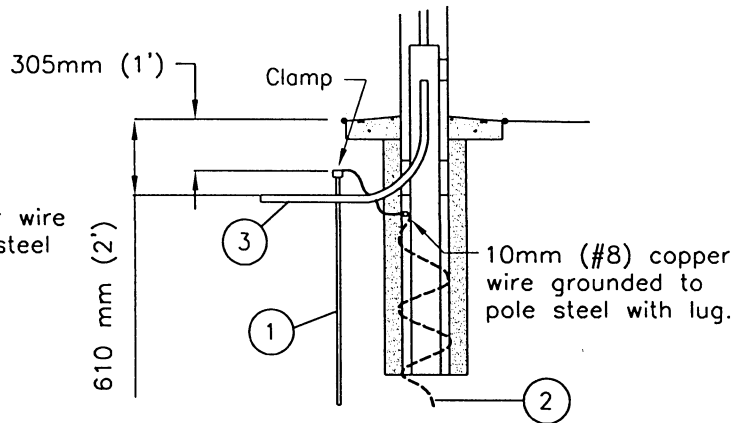
RECOMMENDED BY THE SAN DIEGO REGIONAL STANDARDS COMMITTEE

*T. Stanton* 3/10/2003  
Chairperson R.C.E. 19246 Date

DRAWING NUMBER **E-1**

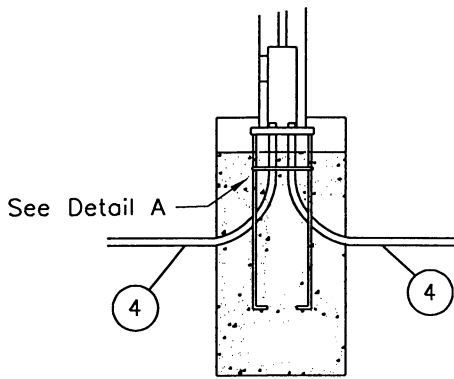


STEEL CONDUIT

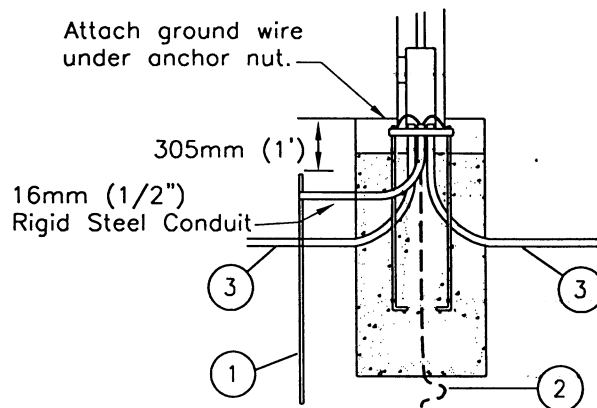


NON-METALLIC CONDUIT

DIRECT BURIAL FOUNDATION



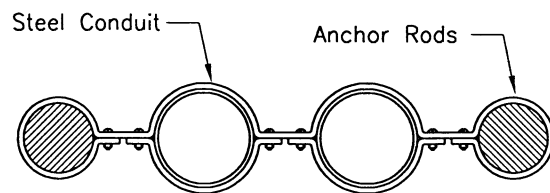
STEEL CONDUIT



NON-METALLIC CONDUIT

ANCHOR BASE FOUNDATION

- ① 19mm x 2.4m (3/4" x 8') copper covered steel ground rod.
- ② Alternate Ground: 4.57m (15') 35mm (no. 4) stranded copper wire, coiled.
- ③ Approved non-metallic conduit.
- ④ Steel conduit.



DETAIL A

Revision	By	Approved	Date
ORIGINAL		Kercheval	12/75
Add Metric		T. Stanton	03/03
Reformatted		T. Stanton	04/06

SAN DIEGO REGIONAL STANDARD DRAWING

**GROUNDING  
OF CONCRETE LIGHTING STANDARDS**

RECOMMENDED BY THE SAN DIEGO REGIONAL STANDARDS COMMITTEE

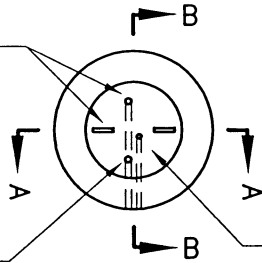
*T. Stanton* 3/01/2003

Chairperson R.C.E. 19246 Date

DRAWING  
NUMBER

**E-2**

38mm (1 1/2") min. cover for bars and conduits



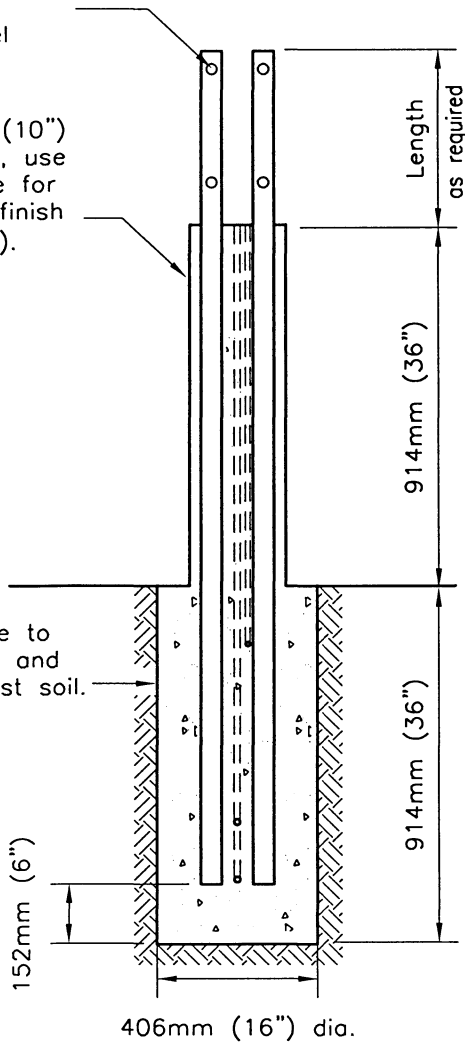
Galvanized steel conduits. Size and number as required.

25.4mm (1") galvanized steel conduit for service ground (where required).

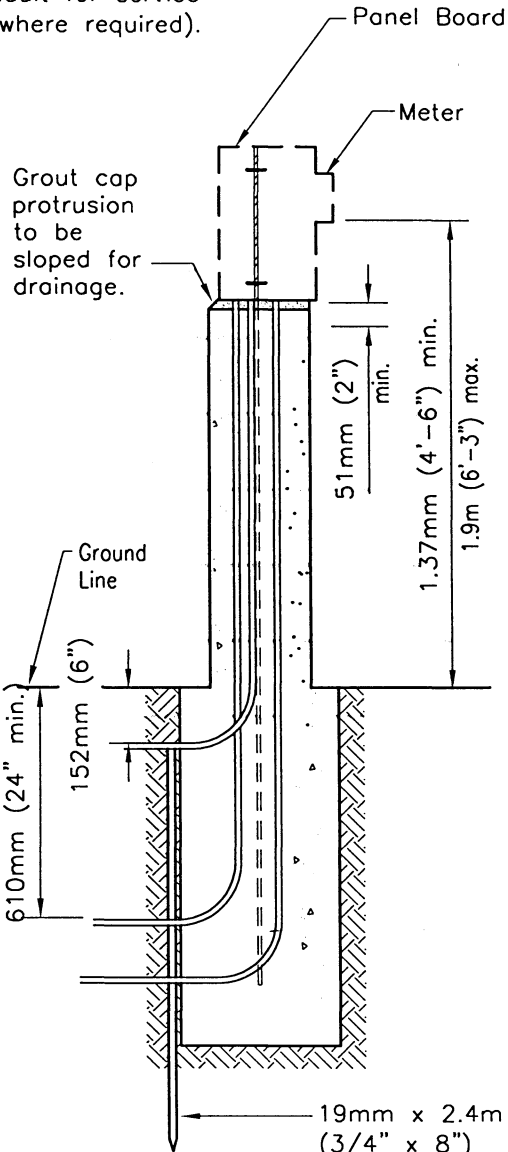
PLAN

6.35mm x 51mm (1/4" x 2") galvanized steel bars.

254mm (10") Diameter, use Sonotube for smooth finish (Class 1).



SECTION A-A  
STEEL & CONCRETE  
DIMENSIONS



SECTION B-B  
CONDUIT & EQUIPMENT

NOTE: Concrete shall be class 332 kg/M<sup>3</sup> C 22 Mpa (560-C-3250)

Revision	By	Approved	Date
ORIGINAL		Kercheval	12/75
Add Metric		T. Stanton	03/03
Reviewed		T. Stanton	04/06

SAN DIEGO REGIONAL STANDARD DRAWING

PEDESTAL FOR  
ELECTRICAL EQUIPMENT

RECOMMENDED BY THE SAN DIEGO REGIONAL STANDARDS COMMITTEE

*T. Stanton* 310112003  
Chairperson R.C.E. 19246 Date

DRAWING NUMBER **E-33**

