

# LANDSCAPING

SUPPLEMENT TO REGIONAL STANDARD DRAWING (L-SERIES)

DRAWING L-4

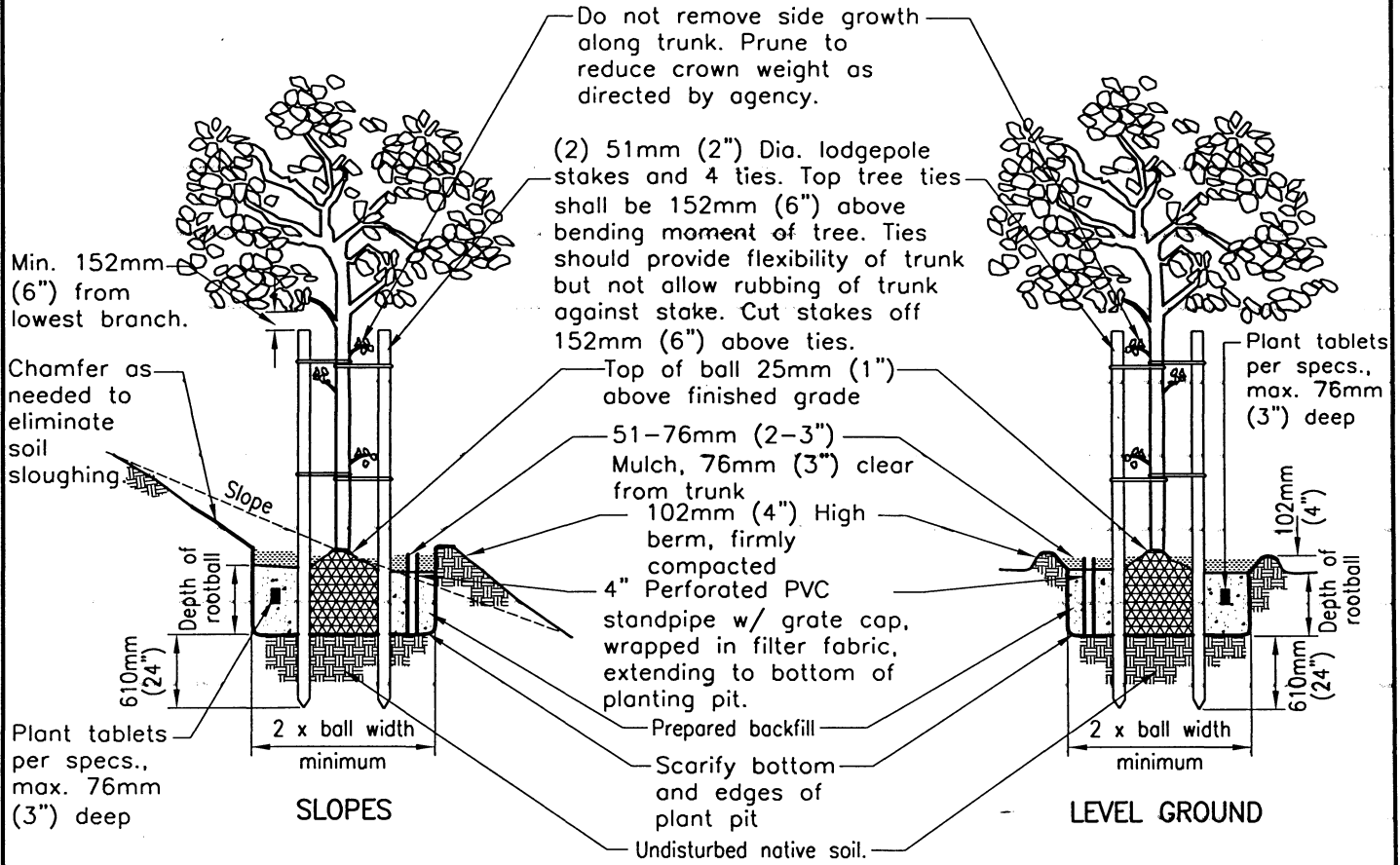
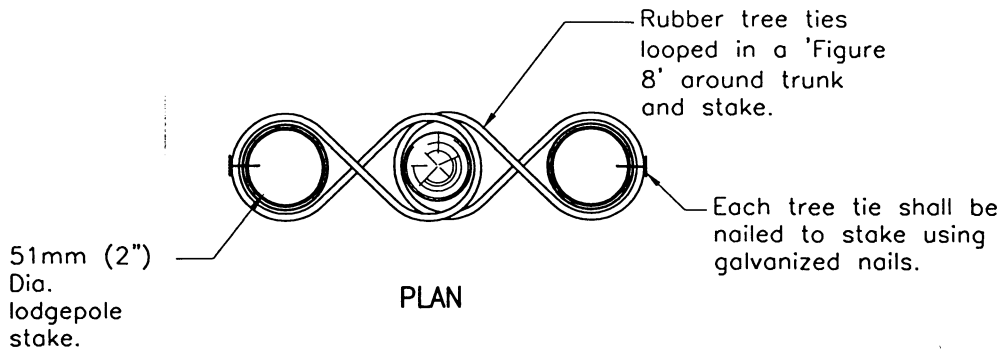
NOTES: Amend Note #3 to Read: If required to secure the grate, all bolts, nuts, and washers shall be Grade 316 stainless steel. All fabricated steel items shall be hot dipped galvanized after fabrication.

Add: 8. Adjacent sidewalk shall have a minimum clear width of four feet inches (4'-4") from the edge of grate.

Add: 9. Sidewalk cross slope shall be 1.5%

Add: 10. Steel grate to have a permanent slip resistant finish.

Revision	By	Approved	Date	CITY OF SAN DIEGO - STANDARD DRAWING	CITY OF SAN DIEGO STANDARDS COMMITTEE	
Original	DC	A. Oskoui	12/06		<i>A. Oskoui</i> 12/16/06 COORDINATOR R.C.E 65271 Date	
				SUPPLEMENT TO REGIONAL STANDARD DRAWING ("L" SERIES)	DRAWING NUMBER	<b>SDL-100</b>



**NOTES**

1. Double stake #15 (15 gal.) and larger trees.
2. For single staked trees, place stake on windward side of tree.
3. Locate stakes outside of rootball.
4. Lodgepoles treated with Chromated Copper Arsenate (CCA) are not allowed.

Revision	By	Approved	Date
ORIGINAL		Kercheval	12/75
Add Metric		T. Stanton	03/03
UPDATE		M. Caro	02/05

**SAN DIEGO REGIONAL STANDARD DRAWING**

**TREE PLANTING AND STAKING**

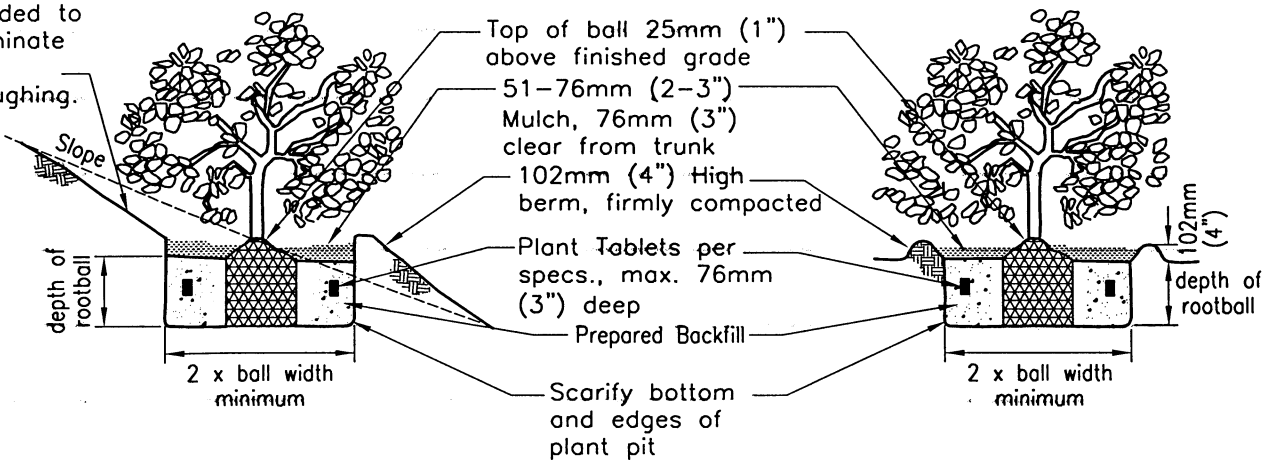
RECOMMENDED BY THE SAN DIEGO REGIONAL STANDARDS COMMITTEE

*T. Stanton* 02/24/2005

Chairperson R.C.E. 19246 Date

DRAWING NUMBER **L-1**

Chamfer as needed to eliminate soil sloughing.



SHRUB PLANTING - SLOPES

SHRUB PLANTING - LEVEL GROUND

Revision	By	Approved	Date
ORIGINAL		Kercheval	12/75
Add Metric		T. Stanton	03/03
UPDATE		M. Caro	02/05

SAN DIEGO REGIONAL STANDARD DRAWING

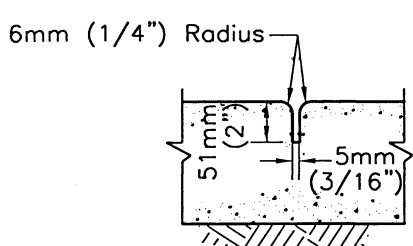
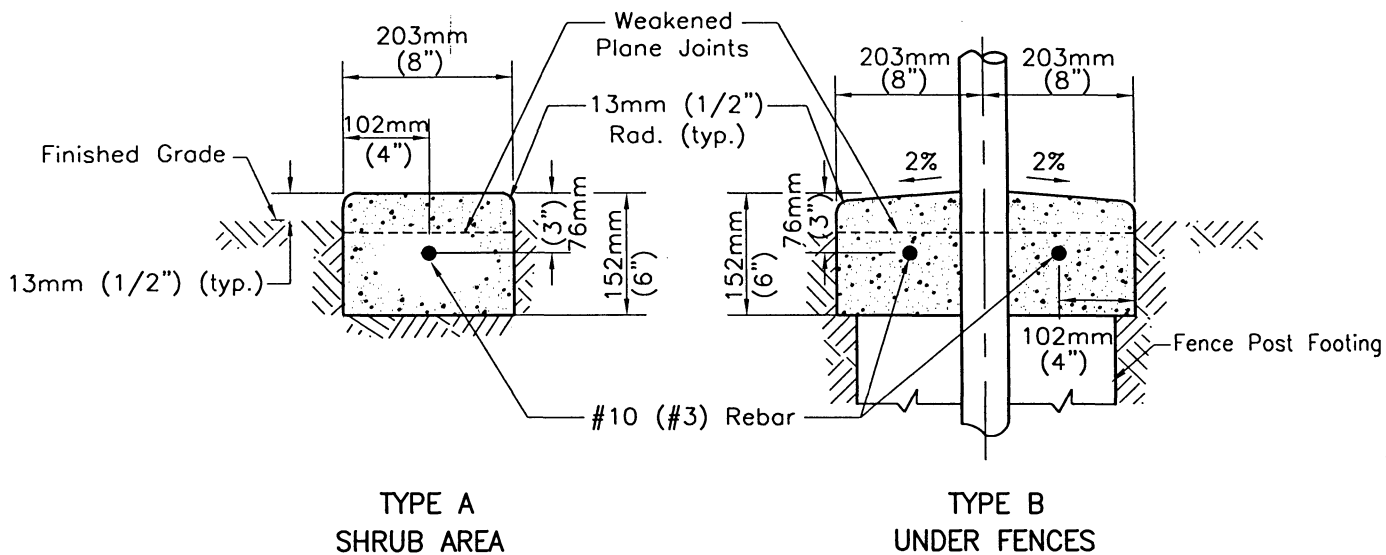
SHRUB PLANTING

RECOMMENDED BY THE SAN DIEGO REGIONAL STANDARDS COMMITTEE

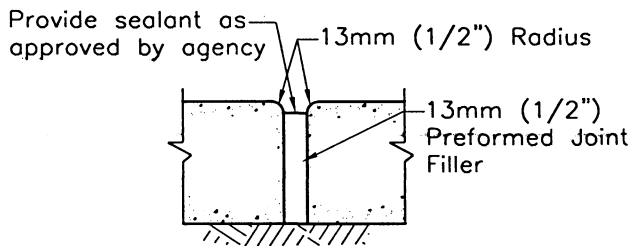
*T. Stanton* 02/24/2005

Chairperson R.C.E. 19246 Date

DRAWING NUMBER **L-2**



**WEAKENED PLANE JOINT**  
Max. 6m (20') O.C.



**EXPANSION JOINT**  
Max. 36.6m (120') O.C.

**NOTES**

1. Rebar shall be continuous with 305mm (12") overlap at splices.
2. Concrete shall be class 308kg/M<sup>3</sup>-C-17-Mpa (520-C-2500) and same color as any adjacent concrete.
3. Install weakened plane joints at each fence post.
4. Install expansion joints where the mowing strip abuts any concrete improvement and at location approved by agency.

Revision	By	Approved	Date
ORIGINAL		H.Hecht	10/82
Add Metric		T. Stanton	03/03
UPDATE		M. Coro	02/05

**SAN DIEGO REGIONAL STANDARD DRAWING**

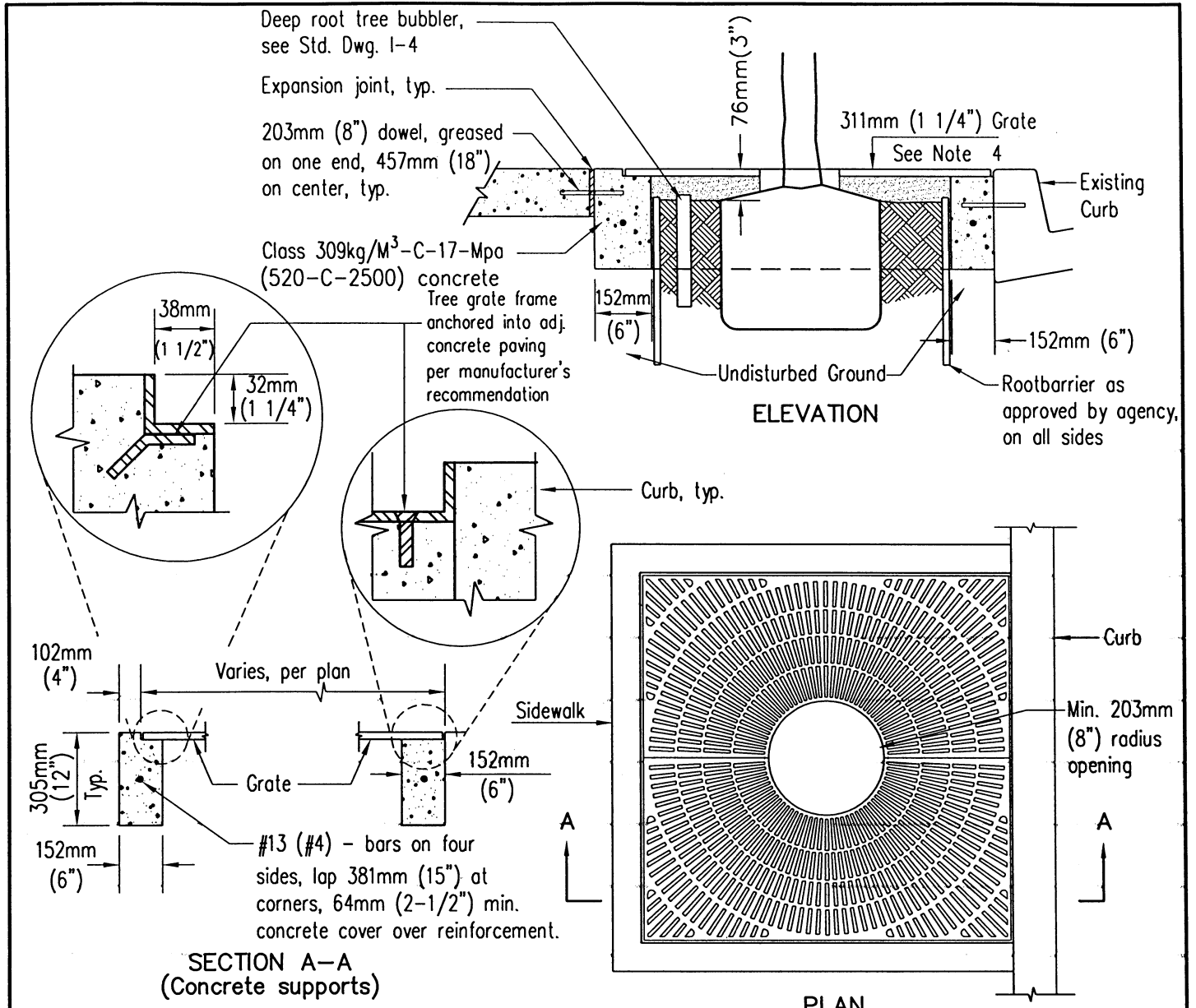
**CONCRETE MOWING STRIP**

RECOMMENDED BY THE SAN DIEGO REGIONAL STANDARDS COMMITTEE

*T. Stanton* 02/24/2005

Chairperson R.C.E. 19246 Date

DRAWING NUMBER **L-3**

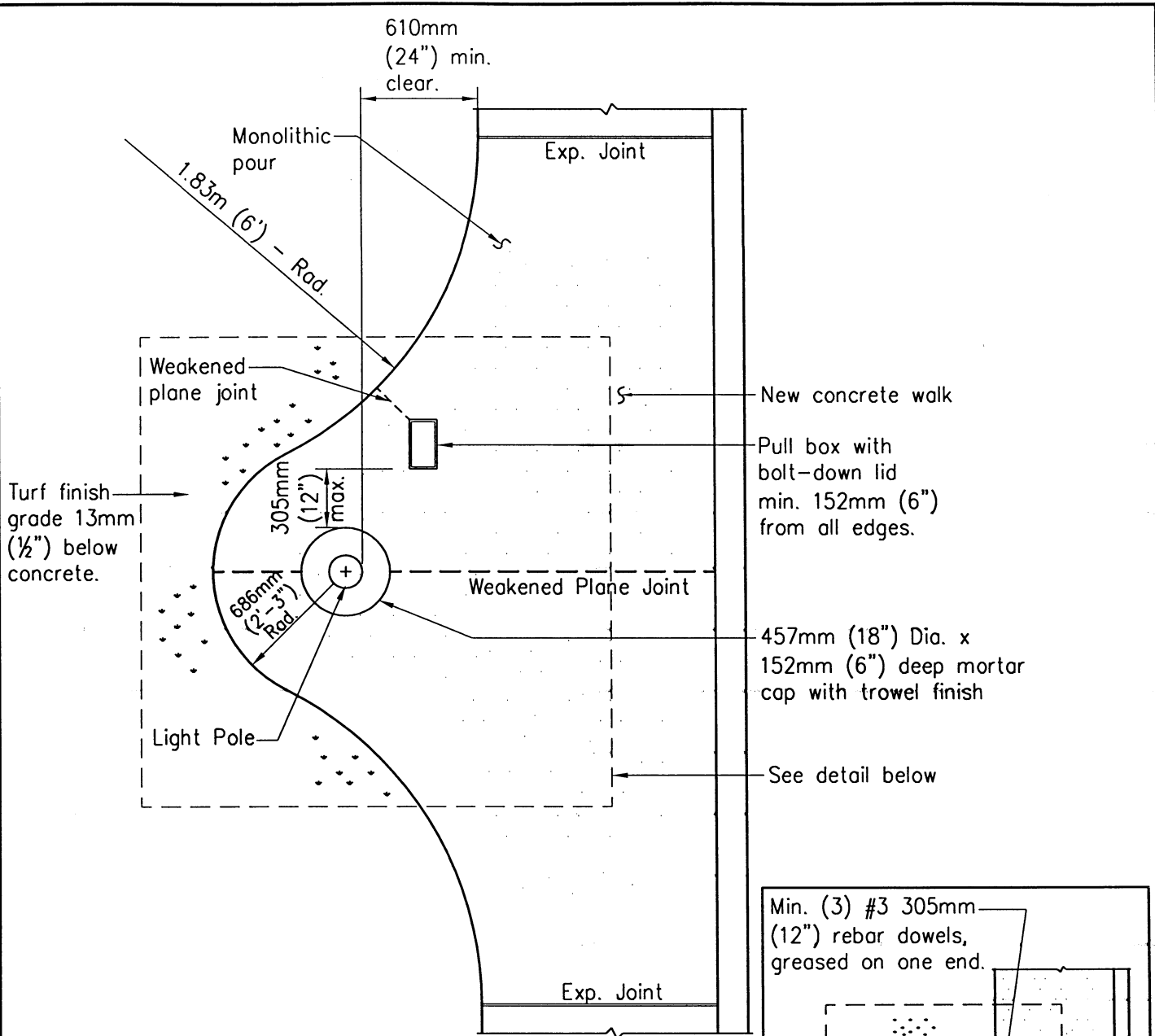


SECTION A-A  
(Concrete supports)

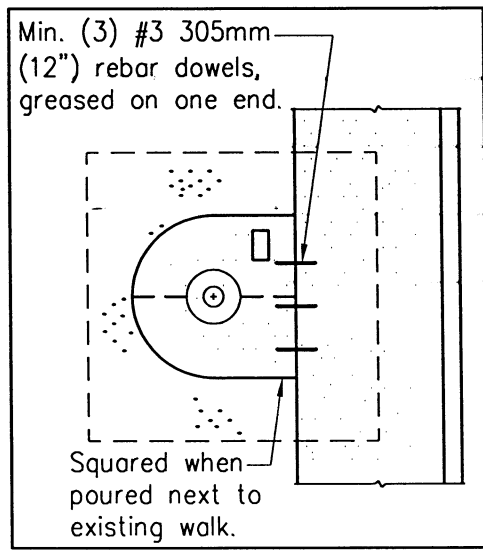
NOTES:

1. Sidewalk to be removed for each tree planting shall be saw cut full depth.
2. Fill below grate with shredded bark mulch. Do not fill tree grate opening.
3. If the grate is to be secured, all bolts, nuts and washers shall be hot dipped galvanized.
4. Grates shall be min. 3.7 sq. m. (40 sq. ft.) in size, and two separate pieces, unless otherwise specified on the plans. Slot openings in grate design shall have 10mm (3/8") maximum width. Grate designs shall be in accordance with current A.D.A. standards as well as the latest edition of the Uniform Building Code, with a minimum uniform live load of 250 pounds per square foot in sidewalks, and have a method of symmetrical interior expandable rings/openings (detailed on the plans) as selected and approved by the agency.
5. Immediate notification shall be given to the Engineer of any below grade improvements encountered.
6. Set grate in frame prior to placement of pavement.
7. Tree shall be centered in grate opening.

Revision	By	Approved	Date	SAN DIEGO REGIONAL STANDARD DRAWING	RECOMMENDED BY THE SAN DIEGO REGIONAL STANDARDS COMMITTEE
ORIGINAL		Parkinson	5/92		
Add Metric		T. Stanton	03/03		
UPDATE		M. Caro	1/06		
				DRAWING NUMBER <b>L-4</b>	



PLAN VIEW



PAD WHEN ADJ. TO EXISTING CONCRETE

**NOTES**

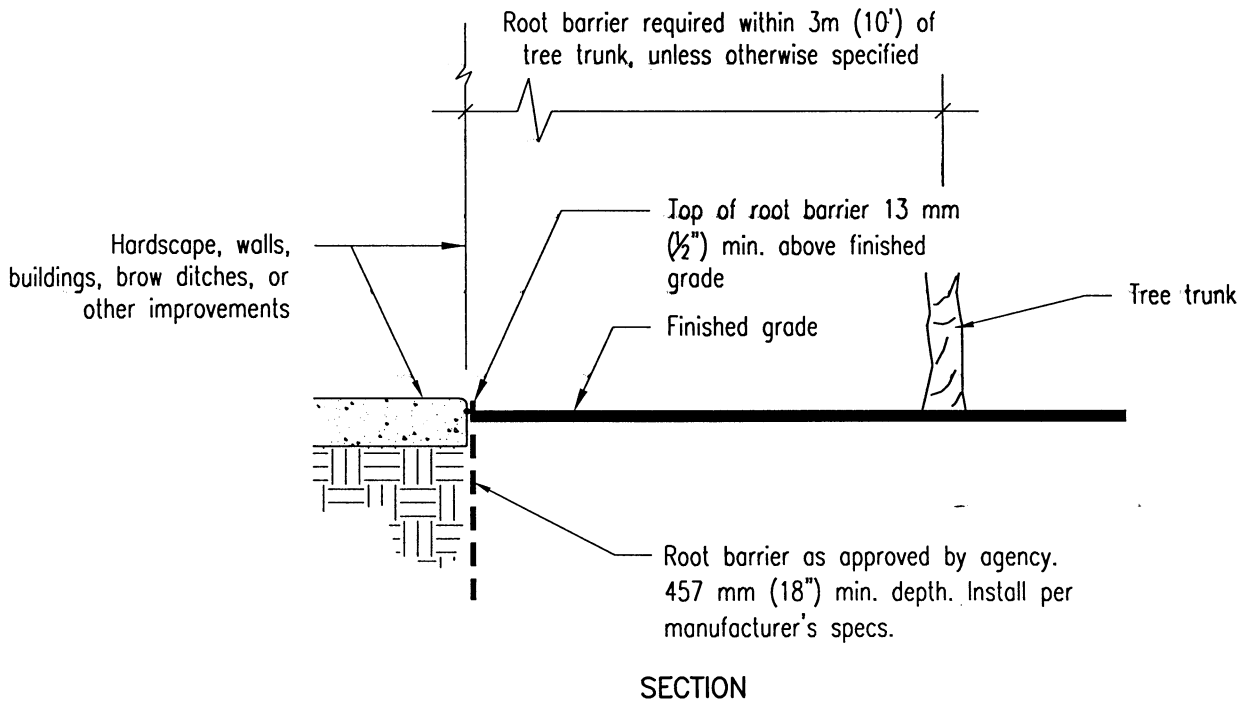
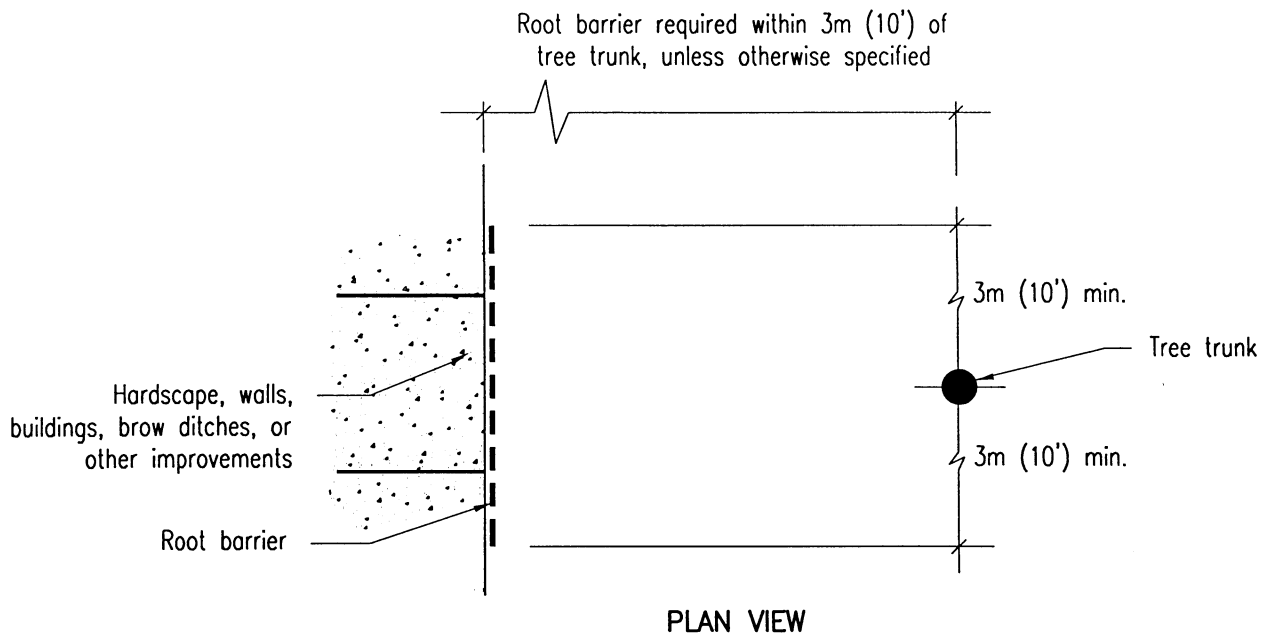
1. See Electric Plans for fixture/pole/footing and pull box details.
2. Use monolithic pour for new construction.
3. Pole pads shall drain at 2% minimum in same direction as sidewalk.
4. Concrete pad shall be the same as specified for sidewalk.
5. Locate light poles in shrub areas where possible.

Revision	By	Approved	Date
ORIGINAL		Parkinson	9/88
Add Metric		T. Stanton	03/03
UPDATE		M. Caro	08/05

**SAN DIEGO REGIONAL STANDARD DRAWING**

**LIGHT POLE PAD IN TURF AREAS**

RECOMMENDED BY THE SAN DIEGO REGIONAL STANDARDS COMMITTEE  
*T. Stanton* 08/25/2005  
 Chairperson R.C.E. 19246 Date  
 DRAWING NUMBER **L-5**



**NOTE:**

1. Root barrier shall be installed adjacent to the improvement and not around the rootball.

Revision	By	Approved	Date	SAN DIEGO REGIONAL STANDARD DRAWING	RECOMMENDED BY THE SAN DIEGO REGIONAL STANDARDS COMMITTEE
ORIGINAL		M. Caro	2/06		
				DRAWING NUMBER <b>L-6</b>	



