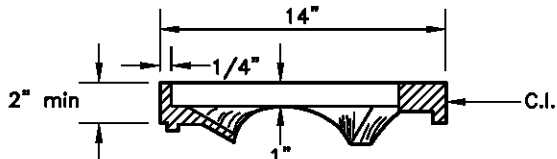
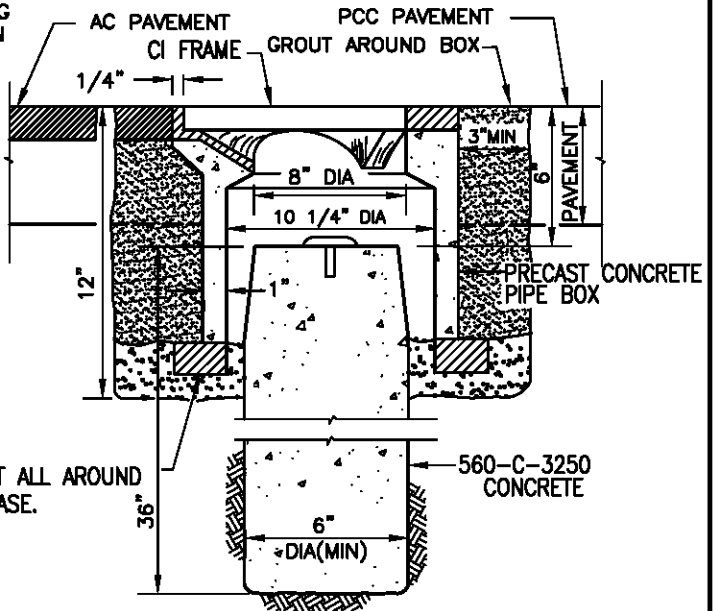


RISER RING WELDED TO EXISTING RING

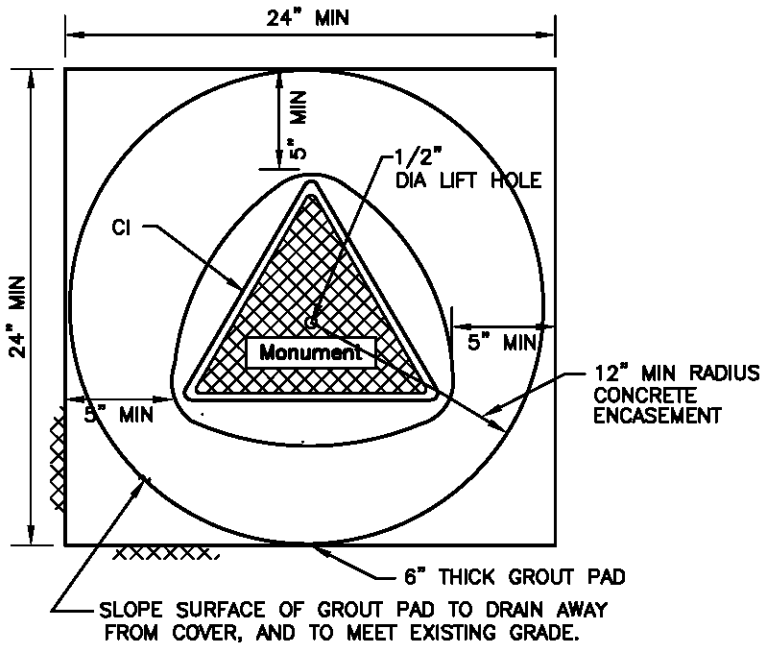


RISER RING

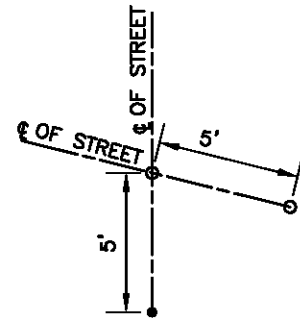
BRICK SUPPORT ALL AROUND ON 2" SAND BASE.



TYPICAL MONUMENT SECTION IN PAVED AREA



PLAN-IN UNPAVED AREA



ALTERATION LOCATION OF MONUMENT. TIE DISTANCES SHOWN ON FINAL SUB-DIVISION MAP IF ALTERNATE LOCATION IS USED.

LOCATION OF STREET SURVEY MONUMENT

Revision	By	Approved	Date
ORIGINAL		Kercheval	12/75
New Dwg		T. Stanton	07/15

SAN DIEGO REGIONAL STANDARD DRAWING

**STREET SURVEY MONUMENT
OVERLAY ADJUSTMENT**

RECOMMENDED BY THE SAN DIEGO REGIONAL STANDARDS COMMITTEE

T. Stanton 7/26/2015
Chairperson R.C.E. 19246 Date

DRAWING NUMBER **M-10A**