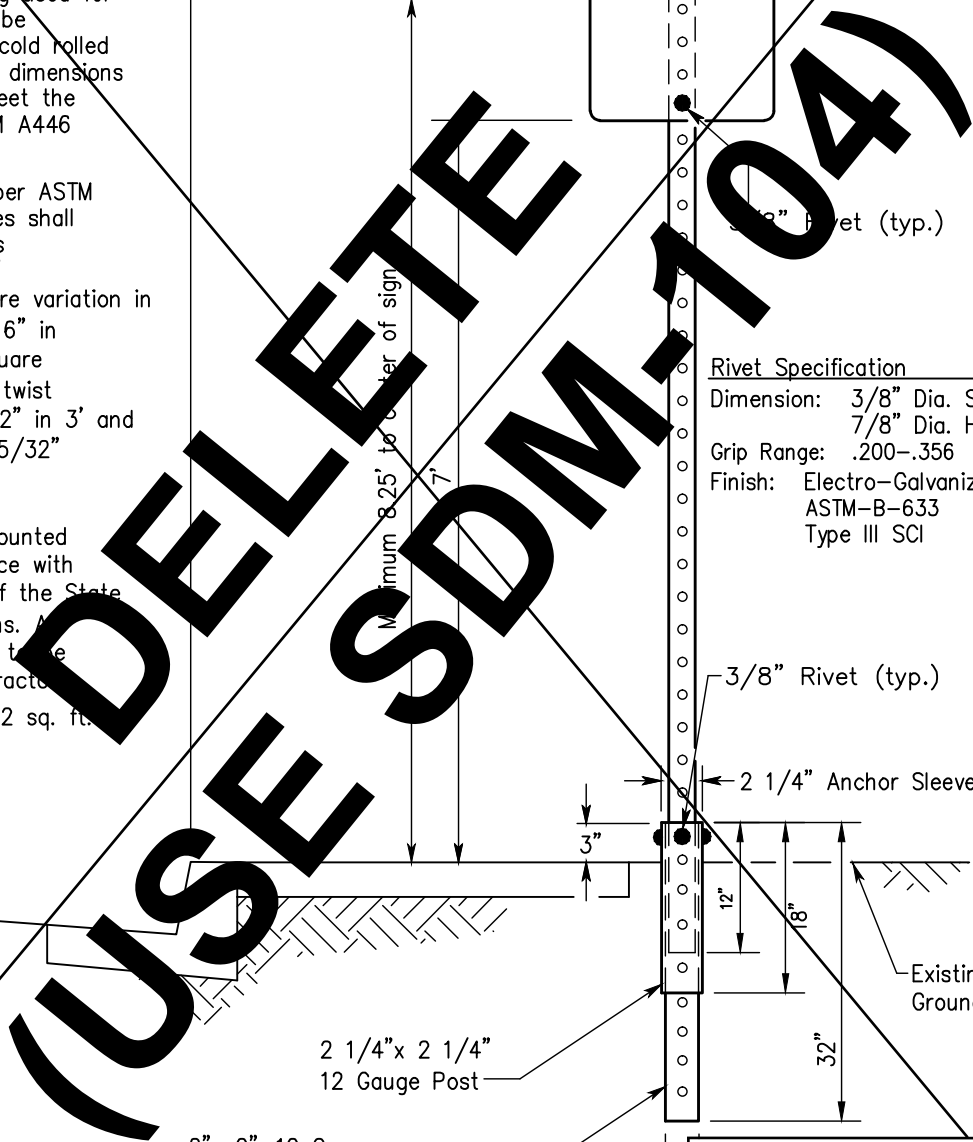
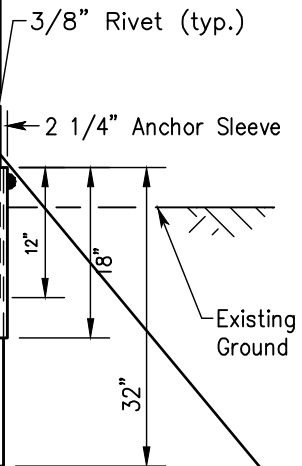


NOTES

1. Structural steel tubing used for post & sleeves shall be galvanized 12 gauge cold rolled steel, of the nominal dimensions shown hereon and meet the requirements of ASTM A446 Grade A.
2. Galvanizing shall be per ASTM A525. Posts & sleeves shall have 7/16" dia. holes spaced 1" o.c. $\pm 1/8$ " & shall have no more variation in straightness than 1/16" in 3'. Posts shall be square within ± 0.014 ", have twist no greater than 0.062" in 3' and have corner radii of 5/32" $\pm 1/64$ ".
3. The signs shall be mounted on posts in accordance with Section 56, "Signs" of the State Standard Specifications. All fastening hardware is to be provided by the Contractor.
4. Maximum sign size 5.2 sq. ft.



Rivet Specification
 Dimension: 3/8" Dia. Shank
 7/8" Dia. Head
 Grip Range: .200-.356
 Finish: Electro-Galvanize
 ASTM-B-633
 Type III SCI



RECOMMENDED BY THE CITY OF SAN DIEGO
 STANDARDS COMMITTEE

Chungga 11/20/2017
 COORDINATOR R.C.E. 56523 DATE

Revision	By	Approved	Date
ORIGINAL		G.Parkinson	2/95
Add Metric		T. Stanton	03/03
Reviewed		T. Stanton	04/06
Delete Metric		D. Gerschoffer	05/12

SAN DIEGO REGIONAL STANDARD DRAWING

BREAK-AWAY SIGN POST

RECOMMENDED BY THE SAN DIEGO
 REGIONAL STANDARDS COMMITTEE

T. Stanton 7/26/2012
 Chairperson R.C.E. 19246 Date

DRAWING NUMBER M-45