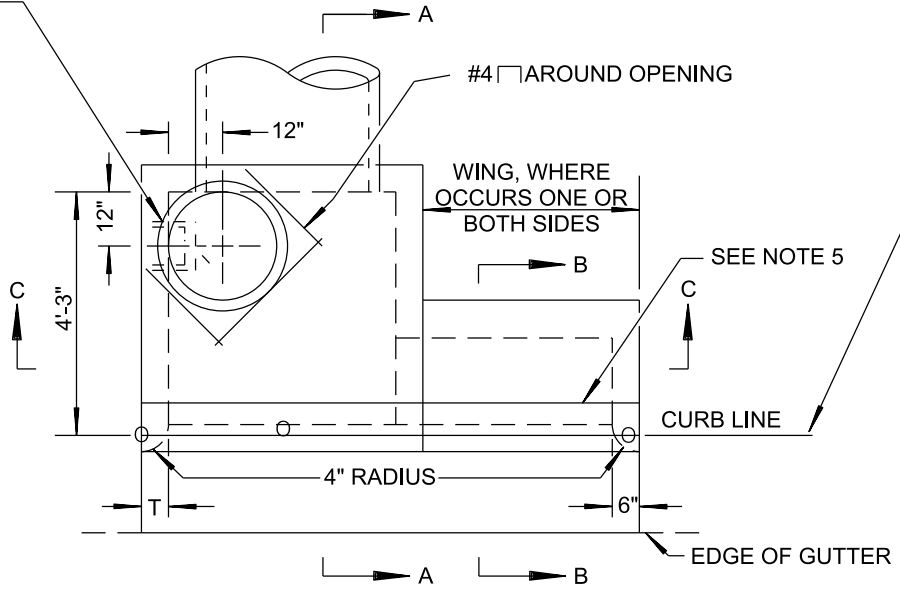
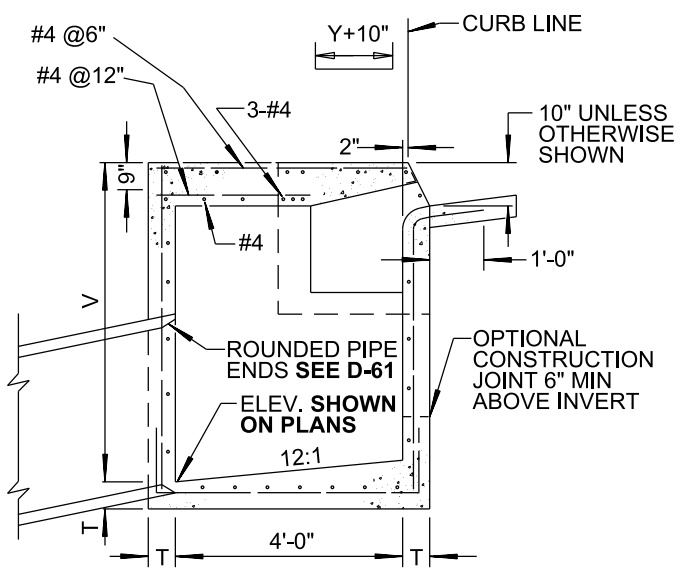


MANHOLE
FRAME AND
COVER SEE M-1

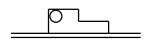


PLAN



SECTION A-A

LEGEND ON PLANS



REVISION	BY	APPROVED	DATE
ORIGINAL*	KA	J. NAGELVOORT	01/12
UPDATED	RB	J. NAGELVOORT	10/15
UPDATED	HN	J. NAGELVOORT	02/16
REDRAFTED	CD	J. NAGELVOORT	09/18
UPDATED	CD	J. NAGELVOORT	12/19

CITY OF SAN DIEGO - STANDARD DRAWING

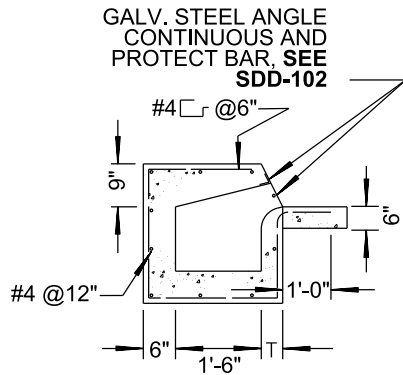
CURB INLET - TYPE B

RECOMMENDED BY THE CITY OF SAN DIEGO STANDARDS COMMITTEE

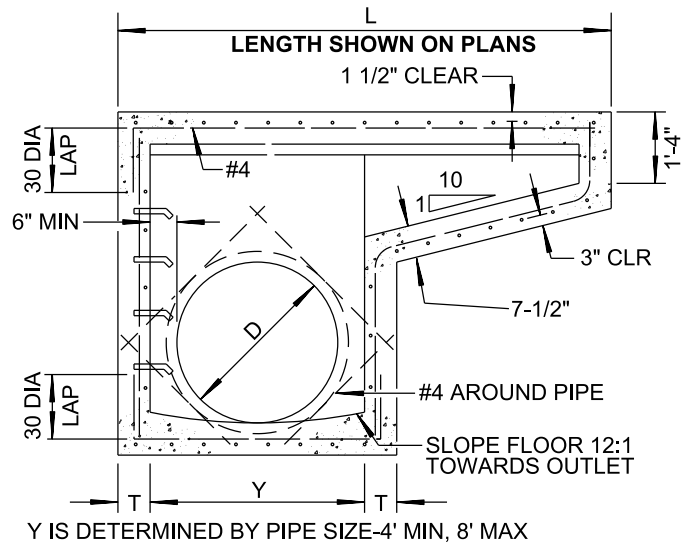
Chungpa 12/18/19

COORDINATOR R.C.E. 56523 DATE

DRAWING NUMBER **SDD-116**



SECTION B-B



SECTION C-C

NOTES

1. TYPES ARE DESIGNATED AS FOLLOWS: (NO WING)B, (ONE WING)B-1, (TWO WINGS)B-2.
2. EXPOSED EDGES OF CONCRETE SHALL BE ROUNDED WITH A RADIUS OF 1/2".
3. WHEN V EXCEEDS 4', STEPS SHALL BE INSTALLED.
4. CONCRETE GUTTER TO MATCH ADJACENT GUTTERS.
5. AN EXPANSION JOINT SHALL BE PLACED AT THE ENDS OF THE INLET WHERE THE CURB IS TO ADJOIN **PER G-10**.
6. PROVIDE 1/4" TOOLED GROOVE IN TOP SLAB IN LINE WITH BACK OF ADJACENT CURB.
7. SURFACE OF TOP SLAB SHALL BE SIDEWALK FINISHED TO DRAIN TOWARD STREET AT A SLOPE OF 1/4" PER FOOT.
8. ELEVATION **SHALL BE SHOWN ON THE PLANS** WHERE INDICATED "O" SYMBOL.
9. **SEE SDD-102 AND SDD-114** FOR ADDITIONAL NOTES AND DETAILS.

REVISION	BY	APPROVED	DATE
ORIGINAL*	KA	J. NAGELVOORT	01/12
UPDATED	RB	J. NAGELVOORT	10/15
UPDATED	HN	J. NAGELVOORT	02/16
REDRAFTED	CD	J. NAGELVOORT	09/18
UPDATED	CD	J. NAGELVOORT	12/19

CITY OF SAN DIEGO – STANDARD DRAWING

CURB INLET - TYPE B

RECOMMENDED BY THE CITY OF SAN DIEGO STANDARDS COMMITTEE

Chungpa 12/18/19
COORDINATOR R.C.E. 56523 DATE

DRAWING NUMBER **SDD-116**