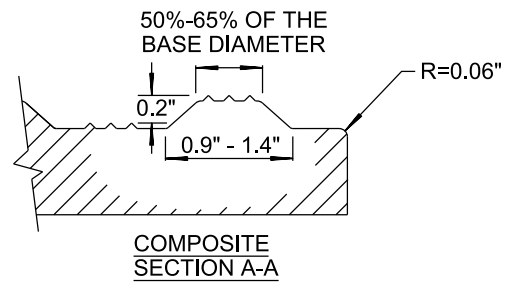
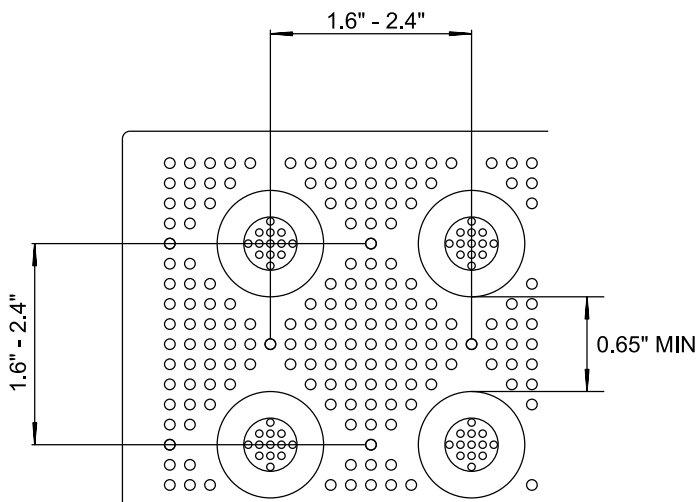


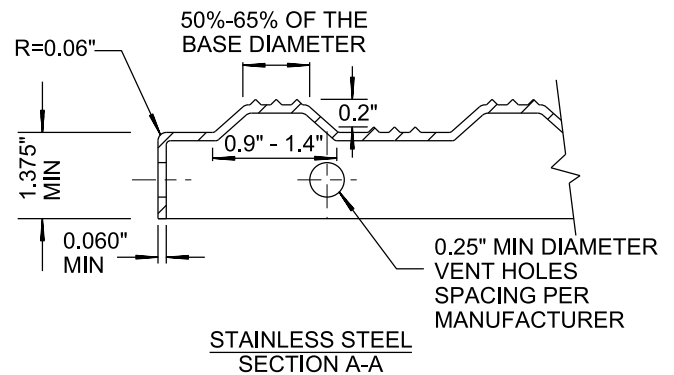
PLAN - TILE



COMPOSITE SECTION A-A



DETAIL 1



STAINLESS STEEL SECTION A-A

**NOTES:**

1. THE DETECTABLE WARNING TILE SHALL BE SLIP RESISTANT AND SHALL CONSIST OF AN INLINE PATTERN OF RAISED TRUNCATED DOMES. THE TILE SHALL BE PLACED WHERE THE DOMES ARE IN LINE WITH THE DIRECTION OF TRAVEL.
2. COLOR: THE DETECTABLE WARNING TILE SHALL BE YELLOW CONFORMING TO FEDERAL STANDARDS 595C TABLE IV, COLOR NO. 33538.
3. MATERIAL: CAST-IN-PLACE STAINLESS STEEL IS THE REQUIRED MATERIAL FOR THE DETECTABLE WARNING TILE, UNLESS OTHERWISE **SHOWN ON PLANS**.  
  
EXCEPTION: CAST-IN-PLACE DETECTABLE WARNING TILE OF COMPOSITE MATERIAL MAY BE USED ON RESIDENTIAL AREAS ONLY. WHEN RESIDENTIAL AREAS ARE WITHIN THE BOUNDARY OF A MIX-USE OR OTHER NON-RESIDENTIAL ZONES, STAINLESS STEEL IS REQUIRED AT CURB RAMPS.
4. DETECTABLE WARNING TILE PRODUCTS SHALL BE **PER THE CITY'S APPROVED MATERIALS LIST**.
5. NO VOIDS SHALL BE ALLOWED BELOW THE DETECTABLE WARNING TILES.
6. PROVIDE A 1/4" DEEP TOOLED JOINT WITH 1/4" RADIUS EDGES AROUND THE PERIMETER OF THE DETECTABLE WARNING TILES.

REVISION	BY	APPROVED	DATE	CITY OF SAN DIEGO - STANDARD DRAWING	RECOMMENDED BY THE CITY OF SAN DIEGO STANDARDS COMMITTEE
ORIGINAL	FC	A. OSKOUI	12/03		
UPDATE	FC	A. OSKOUI	12/08		
UPDATE	FC	J. NAGELVOORT	02/16		
UPDATE	FC	M. GIBSON	12/16		
UPDATE	FC	J. NAGELVOORT	09/17		
UPDATE	HN	J. NAGELVOORT	06/18		
				DRAWING NUMBER	<b>SDG-130</b>