


PLAN - TYPE D

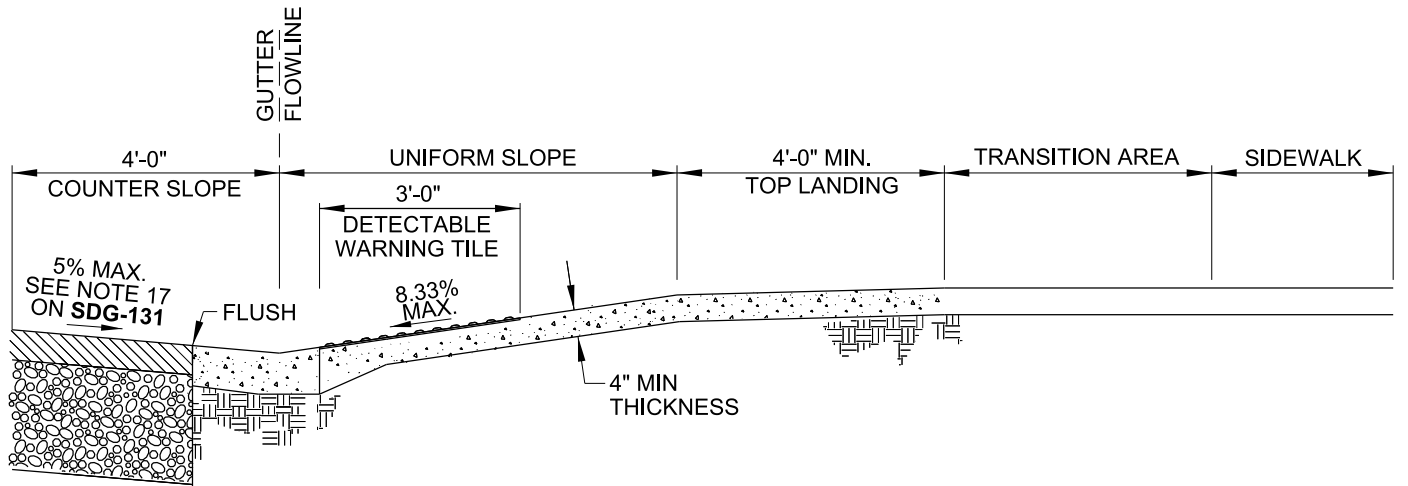
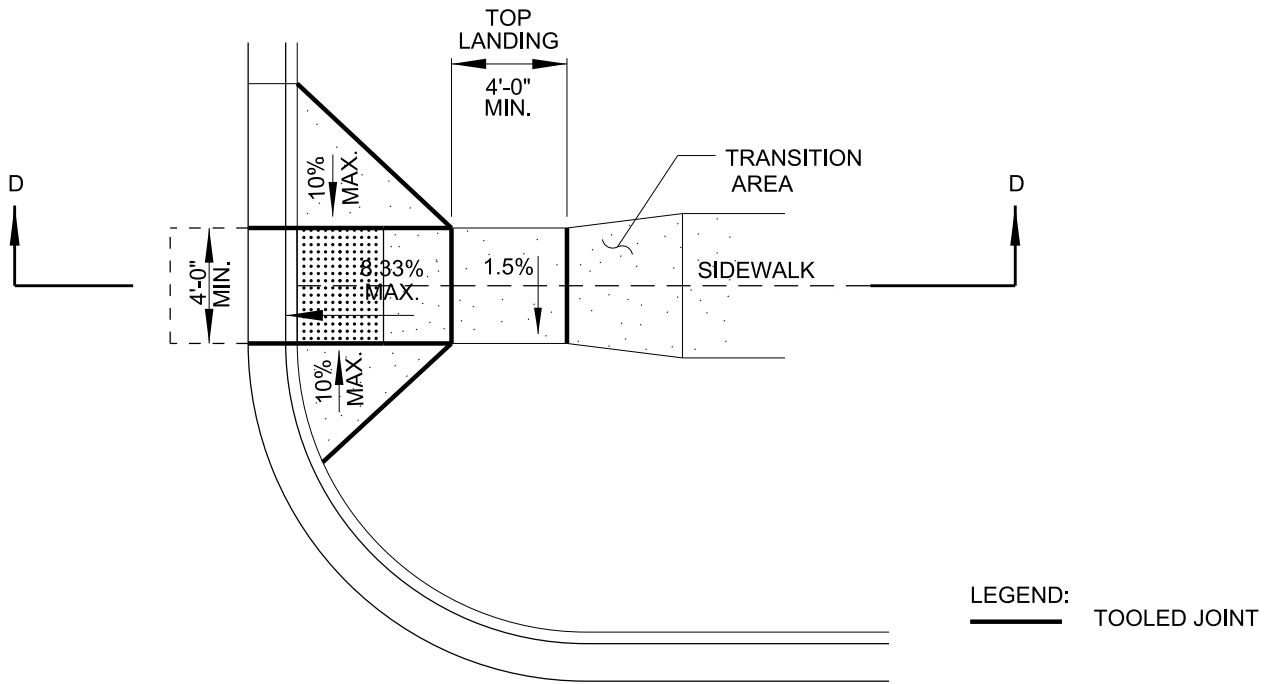
SEE SHEET 2 FOR TYPICAL CROSS SECTION.

LEGEND:
 TOOLED JOINT

NOTE:

1. 4'-0" WIDE DETECTABLE WARNING TILE. WIDEN CURB RAMP WIDTH TO 4'-2" MAXIMUM TO ACCOMMODATE FORMWORK FOR THE 6" WIDE RETAINING CURB.

REVISION	BY	APPROVED	DATE	CITY OF SAN DIEGO - STANDARD DRAWING	RECOMMENDED BY THE CITY OF SAN DIEGO STANDARDS COMMITTEE
ORIGINAL	FC	J. NAGELVOORT	02/16		
REDRAFTED	CD	J. NAGELVOORT	12/18	CURB RAMP - TYPE D	 4/10/19 COORDINATOR R.C.E. 56523 DATE
UPDATED	HN	J. NAGELVOORT	04/19		
				DRAWING NUMBER	SDG-137



REVISION	BY	APPROVED	DATE
ORIGINAL	FC	J. NAGELVOORT	02/16
REDRAFTED	CD	J. NAGELVOORT	09/18
UPDATED	HN	J. NAGELVOORT	04/19

CITY OF SAN DIEGO – STANDARD DRAWING

CURB RAMP - TYPE D

RECOMMENDED BY THE CITY OF SAN DIEGO STANDARDS COMMITTEE

CA Dungee 4/10/19
COORDINATOR R.C.E. 56523 DATE

DRAWING NUMBER **SDG-137**