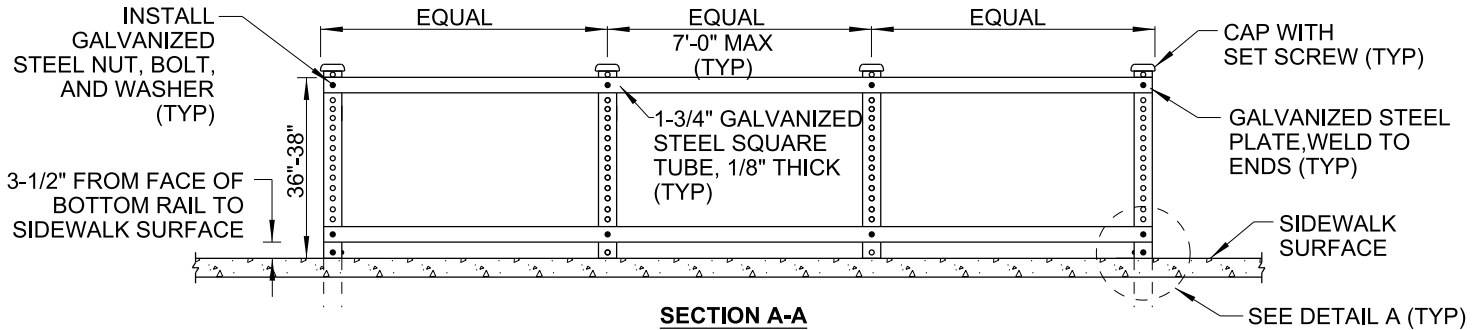


NOTE:
PROVIDE PROTECTIVE RAILING TYPE A TO PREVENT PEDESTRIAN ACCESS AT THE BACK OF CURB RAMP.

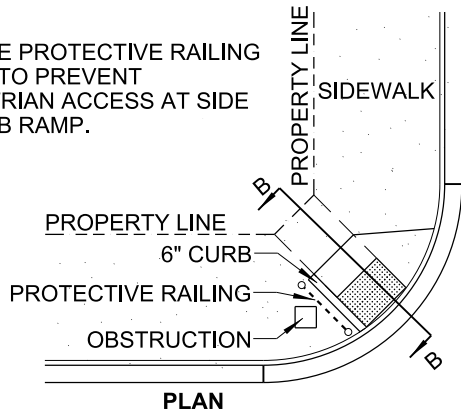
PLAN



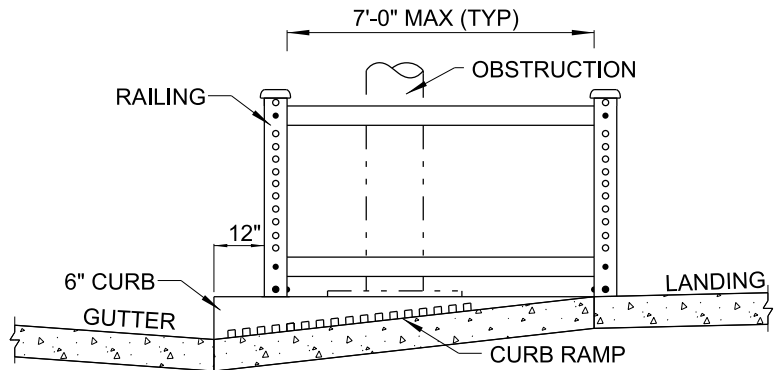
SECTION A-A

PROTECTIVE RAILING - TYPE A

NOTE:
PROVIDE PROTECTIVE RAILING TYPE B TO PREVENT PEDESTRIAN ACCESS AT SIDE OF CURB RAMP.



PLAN

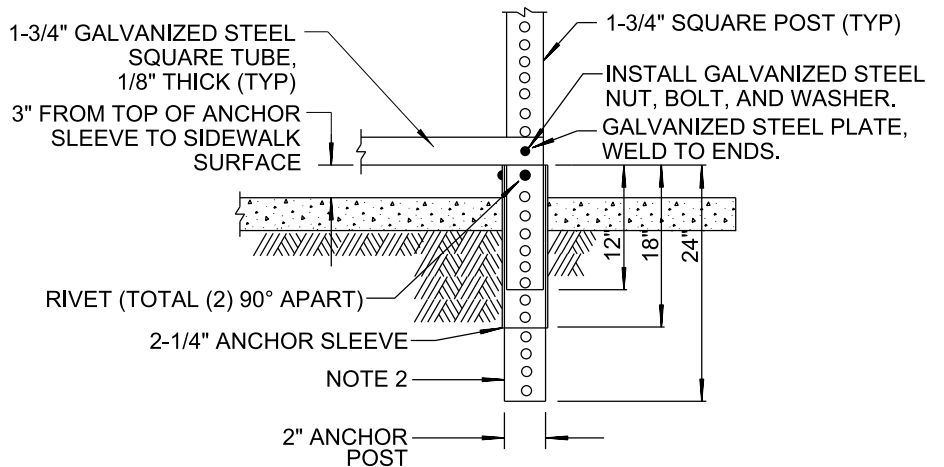


SECTION B-B

PROTECTIVE RAILING - TYPE B

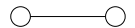
NOTES:

1. POSTS TO BE SET 12" BEHIND THE FACE OF CURB.
2. IN EXISTING SIDEWALK AREA SET POSTS INTO 4" CORE BORING.
3. POSTS SHALL BE WRAPPED IN 6 MIL VISQUEEN PLASTIC PRIOR TO POURING CONCRETE OR GROUTING.
4. HORIZONTAL 1-3/4" GALVANIZED STEEL SQUARE POST TO BE MOUNTED ON THE SIDE OF THE BREAK-AWAY POSTS, OPPOSITE TO THE RAMP.



DETAIL A

LEGEND ON PLANS



REVISION	BY	APPROVED	DATE
ORIGINAL	FC	J. NAGELVOORT	02/16
REDRAFTED	CD	J. NAGELVOORT	09/18

CITY OF SAN DIEGO - STANDARD DRAWING

PROTECTIVE RAILING AT CURB RAMPS

RECOMMENDED BY THE CITY OF SAN DIEGO STANDARDS COMMITTEE

Chungga 9/11/18
COORDINATOR R.C.E. 56523 DATE

DRAWING NUMBER

SDG-140