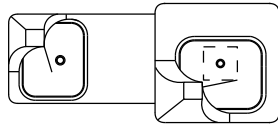
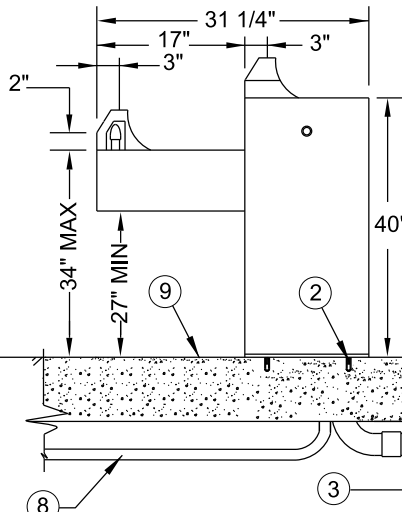


LEGEND:

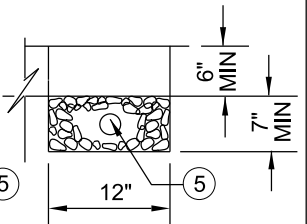
- ① DUAL - HEIGHT DRINKING FOUNTAIN AS APPROVED BY THE CITY ENGINEER.
- ② 1/2" X 4" LOOP ANCHORS AND 1/2" X 1 1/2" BOLTS AT ALL LOCATIONS OR PER MANUFACTURER'S RECOMMENDATION.
- ③ 1 1/2" - 2" MIN. P.V.C. PIPE WITH LONG SWEEP 90 DEGREE ELBOW CONNECTION TO FOUNTAIN DRAIN.
- ④ STACKED TWO 9 1/2" X 16" CONCRETE YARD BOX WITH HINGED LOCKING TOP (BROOKS NO. 3HL OR EQUAL) SET ON RED BRICK FOUNDATION IN LANDSCAPE AREA.
- ⑤ 4" X 40' PERFORATED PLASTIC UNDERDRAIN PIPE WRAPPED WITH DRAINAGE FABRIC, ENCASED IN 3/4" CRUSHED ROCK.
- ⑥ 1" GATE VALVE WITH RED BRASS CROSS HANDLE AND UNION.
- ⑦ METER BOX PER SDW-135. LOCATE IN LANDSCAPE NOT HARDSCAPE.
- ⑧ 1/2" SOFT COPPER PIPE FROM GATE VALVE TO FOUNTAIN ASSEMBLY CONNECTION. INSTALL PLASTIC SLEEVE AROUND SOFT COPPER PIPE.
- ⑨ 6" THICK CONCRETE PAVEMENT. CONCRETE SHALL BE 560-C-3250.



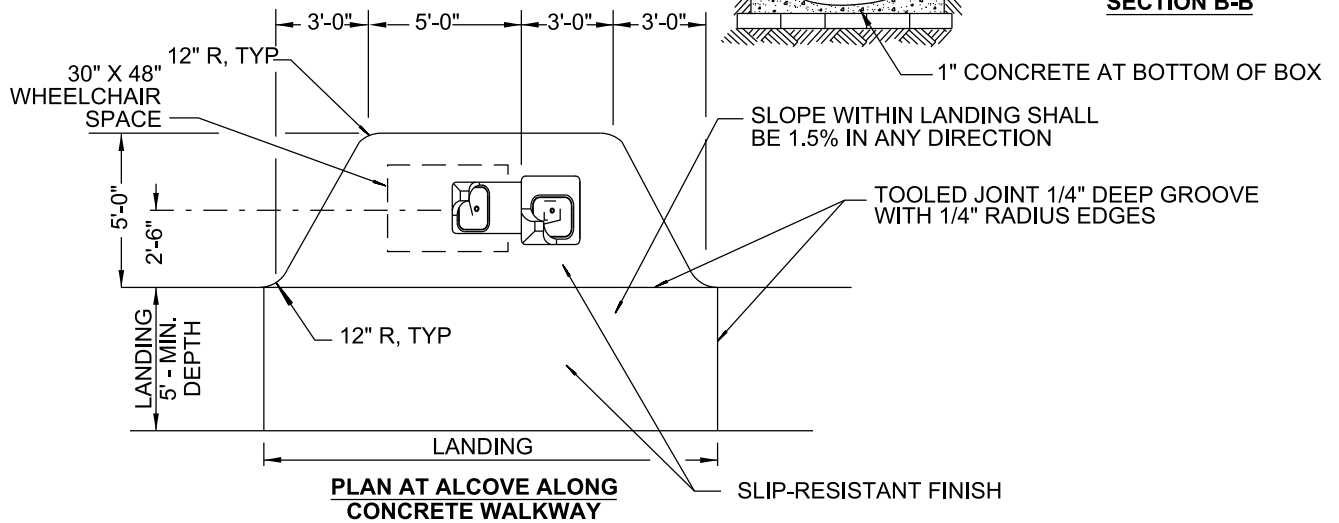
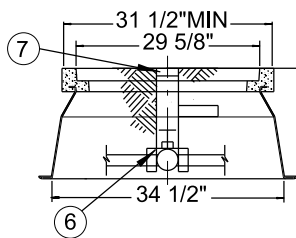
PLAN



ELEVATION / SECTION



SECTION B-B



PLAN AT ALCOVE ALONG CONCRETE WALKWAY

NOTES:

1. INSTALL DRINKING FOUNTAINS SO THAT RIGHT HAND SIDE FACES PREVAILING WIND.
2. HAND FORM A CONCRETE BOWL AT BOTTOM OF YARD BOX TO FACILITATE SAND CLEAN OUT.
3. PERFORATED DRAIN PIPE AND TRENCH SHALL DRAIN AWAY FROM FOUNTAIN.
4. USE RED BRASS BUSHING REDUCERS TO ADAPT TO FEED PIPE.
5. LOCATE DRINKING FOUNTAINS IN AN ALCOVE OR AT AREAS OUTSIDE THE PATH-OF-TRAVEL OTHERWISE PROVIDE PROTECTIVE RAILING PER SDM-108.
6. NO WATER PONDING IS ALLOWED IN LANDING AND ALCOVE AREAS.

LEGEND ON PLANS



| REVISION | BY | APPROVED | DATE |
|----------|----|---------------|-------|
| ORIGINAL | SM | A. OSKOU | 1203 |
| UPDATE | FC | A. OSKOU | 1206 |
| UPDATE | FC | A. OSKOU | 1208 |
| UPDATE | KA | J. NAGELVOORT | 01/12 |
| UPDATE | RK | J. NAGELVOORT | 07/18 |

CITY OF SAN DIEGO - STANDARD DRAWING

DUAL HEIGHT DRINKING FOUNTAIN (NEW CONSTRUCTION)

RECOMMENDED BY THE CITY OF SAN DIEGO STANDARDS COMMITTEE

Chungee
COORDINATOR R.C.E. 56523

7/3/18
DATE

DRAWING NUMBER

SDM-107