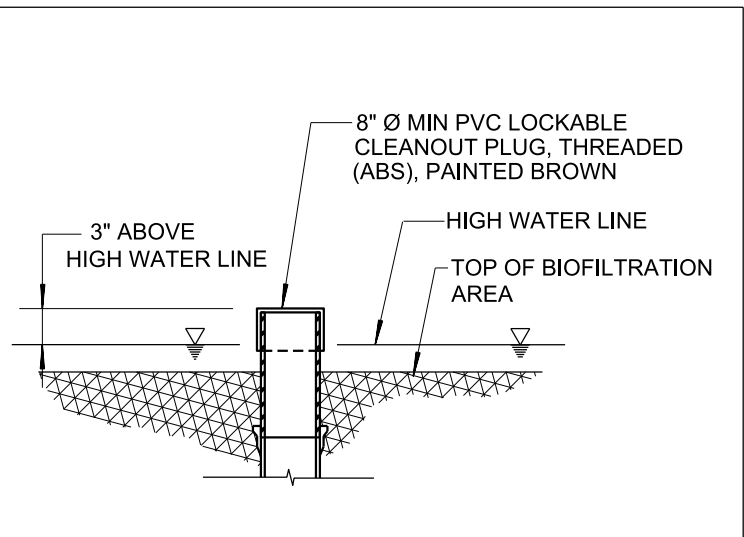
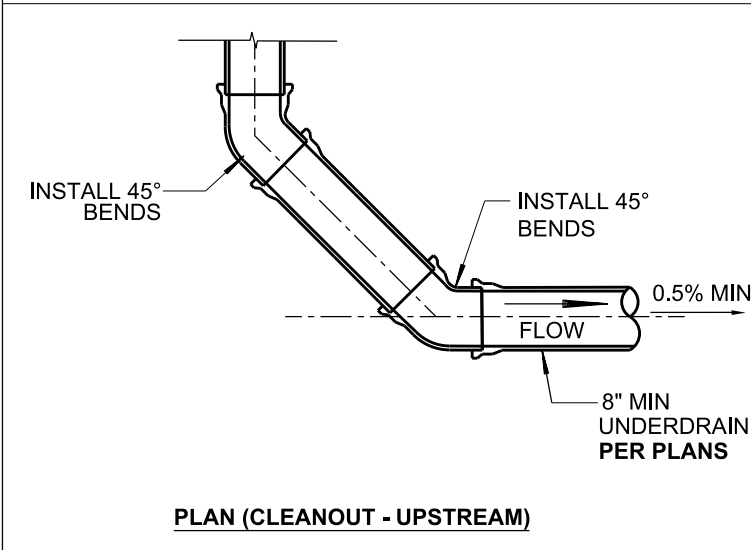


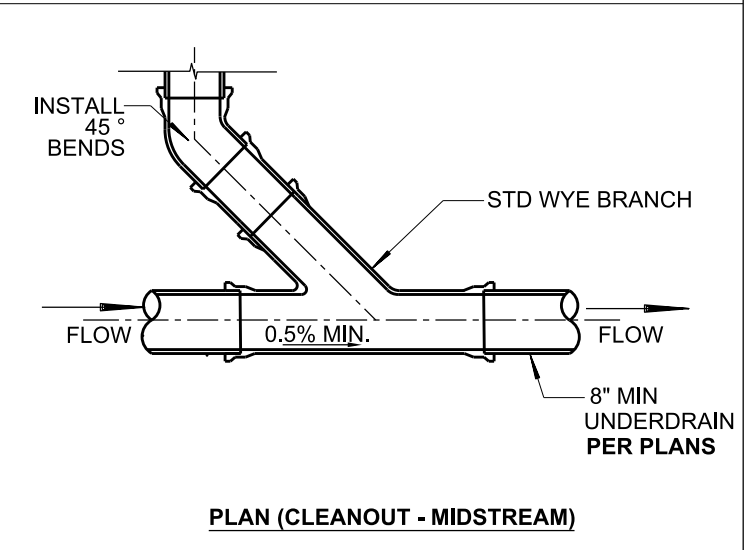
PAVEMENT AREA CLEANOUT - SURFACE



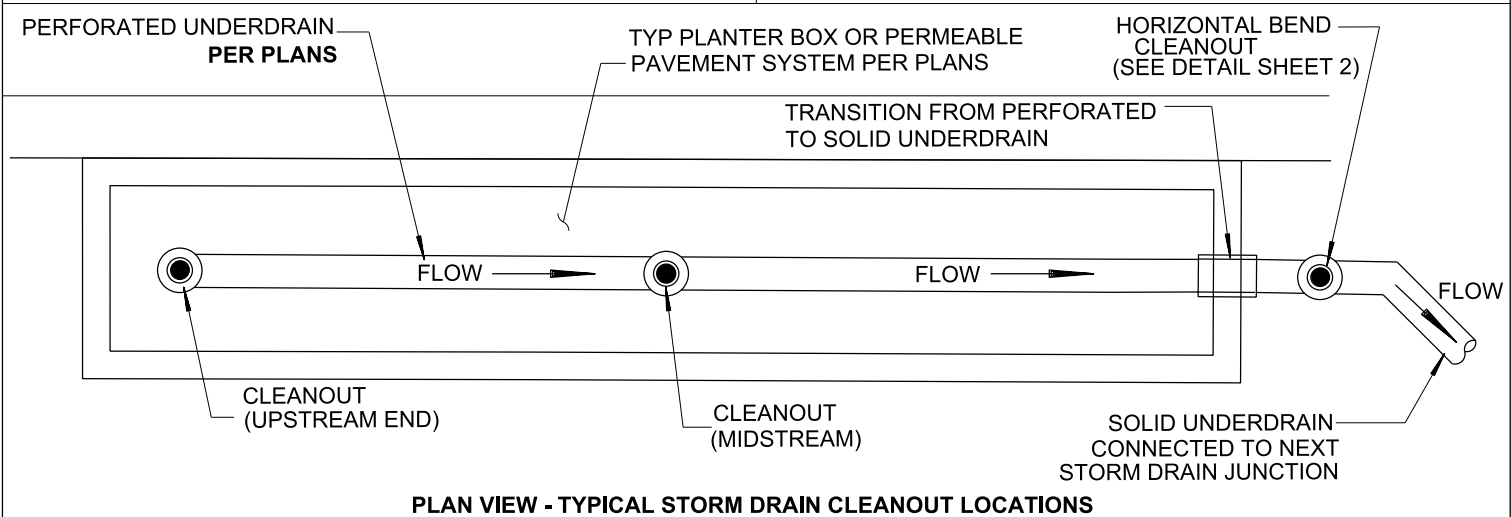
BIOFILTRATION AREA CLEANOUT - SURFACE



PLAN (CLEANOUT - UPSTREAM)



PLAN (CLEANOUT - MIDSTREAM)



PLAN VIEW - TYPICAL STORM DRAIN CLEANOUT LOCATIONS

NOTE

SEE ADDITIONAL NOTES ON SHEET 2

SHEET 1 OF 2

REVISION	BY	APPROVED	DATE
ORIGINAL	CG	J.NAGELVOORT	06 /18

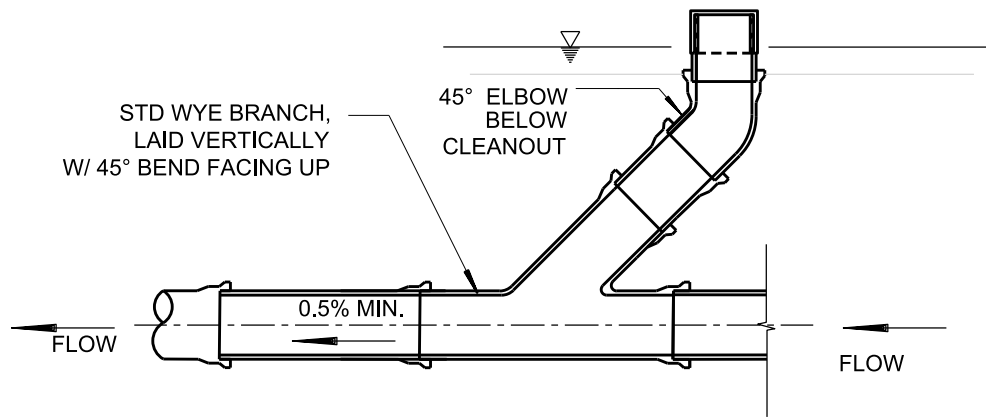
CITY OF SAN DIEGO - STANDARD DRAWING

CLEANOUT FOR UNDERDRAIN

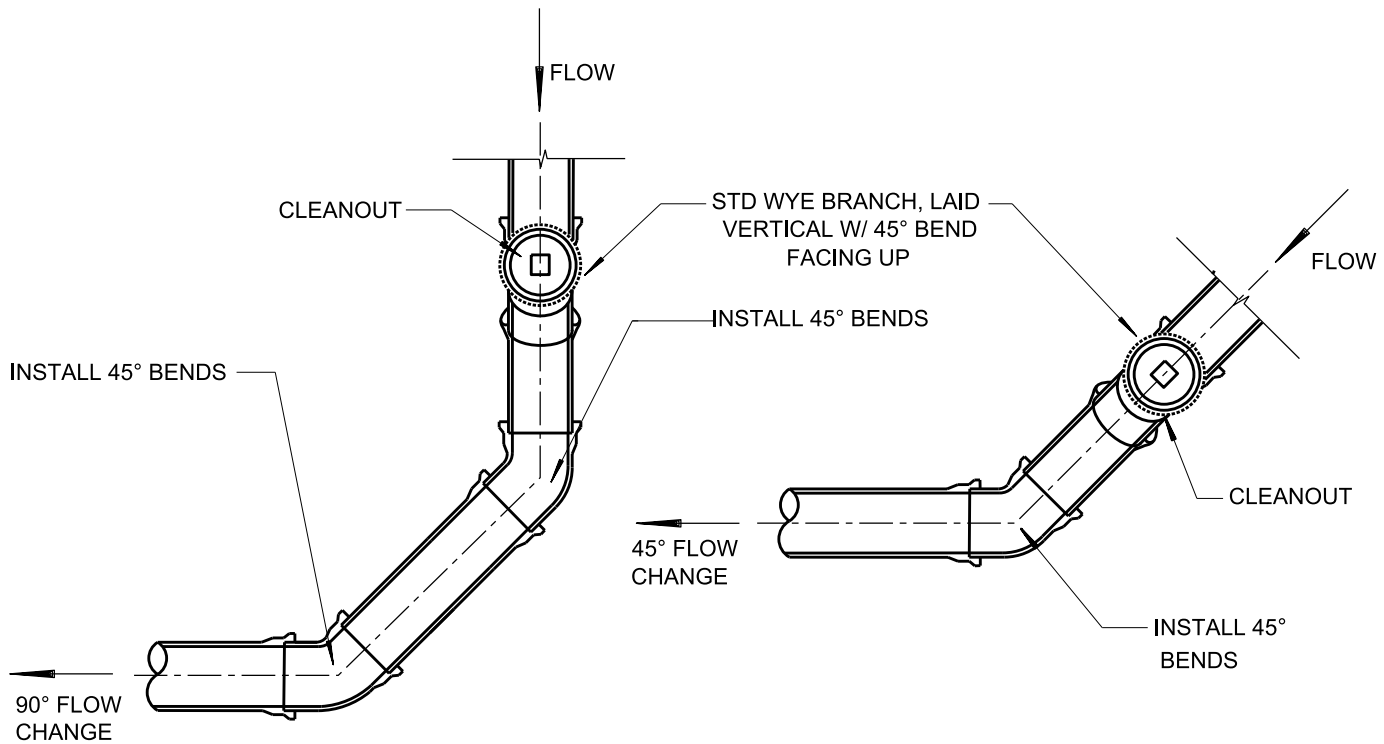
RECOMMENDED BY THE CITY OF SAN DIEGO STANDARDS COMMITTEE

R. Chunga 06/05/2018
COORDINATOR R.C.E. 56523 DATE

DRAWING NUMBER **SDSW-101**



PROFILE (MIDSTREAM CLEANOUT)



PLAN - 90° BEND CLEANOUT

PLAN - 45° BEND CLEANOUT

NOTES:

1. FOR PERMEABLE PAVEMENT APPLICATIONS, PIPES AND FITTINGS SHALL BE PROPERLY ALIGNED AND MAINTAINED WHILE CONCRETE IS BEING PLACED AND ALLOWED TO HARDEN. JOINTS FOR PIPES AND FITTINGS SHALL BE MADE PRIOR TO PLACING CONCRETE. CONCRETE FOR BEDDING, ENCASEMENT, AND WALL SUPPORT FOR PIPES AND FITTINGS SHALL BE PLACED UNIFORMLY AROUND THE PIPE AND FITTINGS AS SHOWN, AND SHALL BE CLASS 420-C-2000.

2. USE OF SMALLER DEGREE BENDS ONLY ALLOWED **PER ENGINEER'S APPROVAL**.

SHEET 2 OF 2

REVISION	BY	APPROVED	DATE
ORIGINAL	CG	J.NAGELVOORT	06 /18

CITY OF SAN DIEGO – STANDARD DRAWING

CLEANOUT FOR UNDERDRAIN

RECOMMENDED BY THE CITY OF SAN DIEGO STANDARDS COMMITTEE

Chungga 06/05/2018
COORDINATOR R.C.E. 56523 DATE

DRAWING NUMBER

SDSW-101