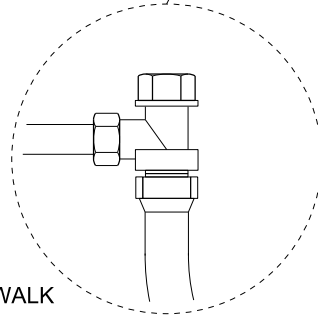


**NOTE:**

1. THE ALUMINUM HOUSING AND LID SHALL BE 6063 ALUMINUM WITH A THICKNESS OF 0.065 INCH (16 GAUGE).
2. SAMPLING STATIONS MUST MAINTAIN A 4'-0" MIN CLEARANCE (PLUS CURB) IF INSTALLED ON A SIDEWALK OR A 4'-0" MIN CLEARANCE IF INSTALLED ON A WALKWAY.
3. THE METER BOX SHALL BE COMPLETELY FLUSHED WITH THE SIDEWALK SURFACE WHEN INSTALLED ON WALKWAYS OR SIDEWALKS.



WT ————  
LEGEND ON PLANS

ITEM NO	SIZE AND DESCRIPTION	ITEM NO	SIZE AND DESCRIPTION
1	ALUMINUM LID	4	1/2" X 3/8" STAINLESS STEEL BALL VALVE
2	ALUMINUM HOUSING - 6" DIAMETER (O. D.)	5	STAINLESS STEEL GOOSENECK
3	PAD LOCK HASP		

REVISION	BY	APPROVED	DATE	CITY OF SAN DIEGO - STANDARD DRAWING	RECOMMENDED BY THE CITY OF SAN DIEGO STANDARDS COMMITTEE
ORIGINAL	TP	J. NAGELVOORT	06/20		
UPDATED	TP	J. NAGELVOORT	09/20		
<b>WATER QUALITY SAMPLING STATION</b>				 COORDINATOR R.C.E. 56523 DATE <b>9/22/20</b>	
				DRAWING NUMBER <b>SDW-163</b>	