

MATERIALS LIST

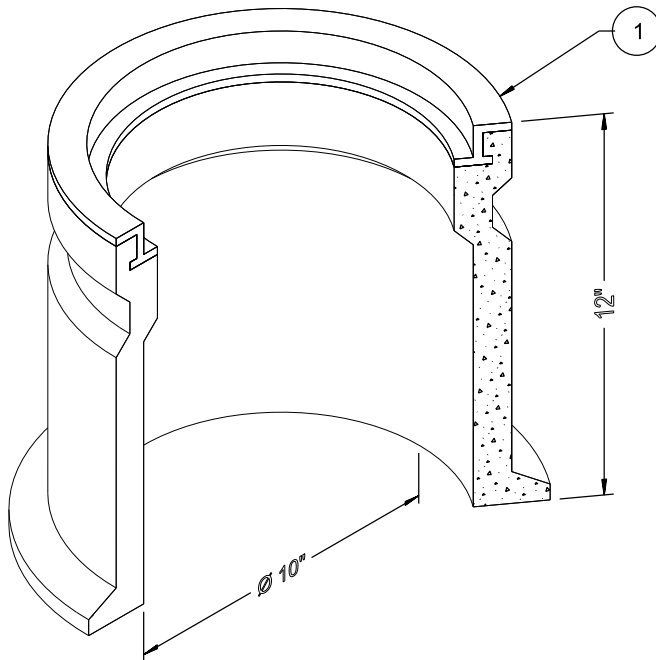
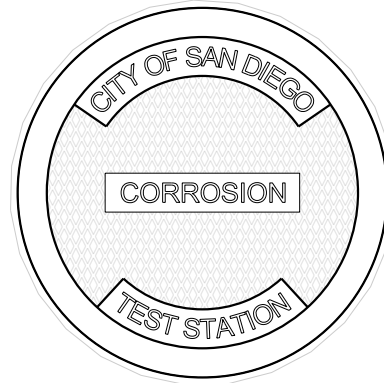
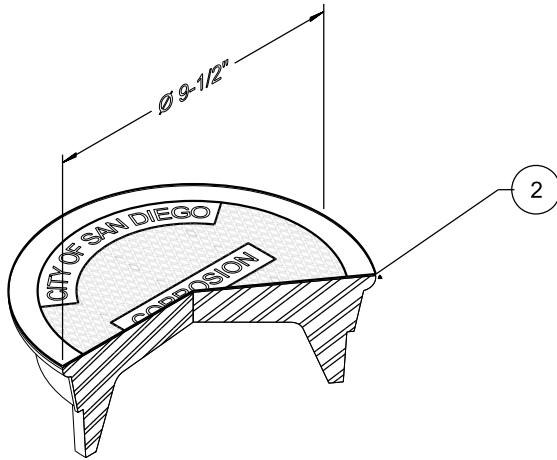
- ① H20 TRAFFIC RATED CONCRETE VALVE BOX, CHRISTY G05 OR APPROVED EQUAL (10 3/8" ID x 12" HIGH)
- ② H20 TRAFFIC RATED CAST IRON LID FITTING G05 CONCRETE VALVE BOX, SOUTH BAY FOUNDRY #B6199

NOTES

- 1. TEST BOX SHALL HAVE AN ASHTO H20 TRAFFIC RATING.
- 2. CAST IRON LIDS SHALL BE MARKED AS SHOWN ON THE DRAWINGS AND "FIT THE CONCRETE VALVE BOX PROPERLY." THE FIT SHALL BE IDENTICAL TO A TYPICAL UNMARKED LID SUPPLIED BY THE CONCRETE VALVE BOX MANUFACTURER.

SHEET 1 OF 2

REVISION	BY	APPROVED	DATE	CITY OF SAN DIEGO - STANDARD DRAWING	RECOMMENDED BY THE CITY OF SAN DIEGO STANDARDS COMMITTEE
ORIGINAL	BM	A. OSKOUI	1203		
NOTES		A. OSKOUI	1206	AT - GRADE CONCRETE TEST BOX	<i>CDungwa</i> 10/10/19 COORDINATOR R.C.E. 56523 DATE
UPDATED	KA	J. NAGELVOORT	01/12		
REDRAFTED	CD	J. NAGELVOORT	09/18		
UPDATED	EF	J. NAGELVOORT	10/19		
					DRAWING NUMBER SDW-128



MATERIALS LIST

- ① H20 TRAFFIC RATED CONCRETE VALVE BOX, BROOKS 3RT OR APPROVED EQUAL (10" ID x 12" HIGH)
- ② H20 TRAFFIC RATED CAST IRON LID FITTING 3RT CONCRETE VALVE BOX, SOUTH BAY FOUNDRY #B1160

NOTES

- 1. TEST BOX SHALL HAVE AN ASHTO H20 TRAFFIC RATING.
- 2. CAST IRON LIDS SHALL BE MARKED AS SHOWN ON THE DRAWINGS AND "FIT THE CONCRETE VALVE BOX PROPERLY." THE FIT SHALL BE IDENTICAL TO A TYPICAL UNMARKED LID SUPPLIED BY THE CONCRETE VALVE BOX MANUFACTURER.

SHEET 2 OF 2

REVISION	BY	APPROVED	DATE	CITY OF SAN DIEGO – STANDARD DRAWING	RECOMMENDED BY THE CITY OF SAN DIEGO STANDARDS COMMITTEE		
ORIGINAL	BM	A. OSKOU	1203			AT - GRADE CONCRETE TEST BOX	<i>Chungpa</i> 10/10/19 COORDINATOR R.C.E. 56523 DATE
NOTES		A. OSKOU	1206				
UPDATED	KA	J. NAGELVOORT	01/12				
REDRAFTED	CD	J. NAGELVOORT	09/18				
UPDATED	EF	J. NAGELVOORT	10/19				
				DRAWING NUMBER	SDW-128		